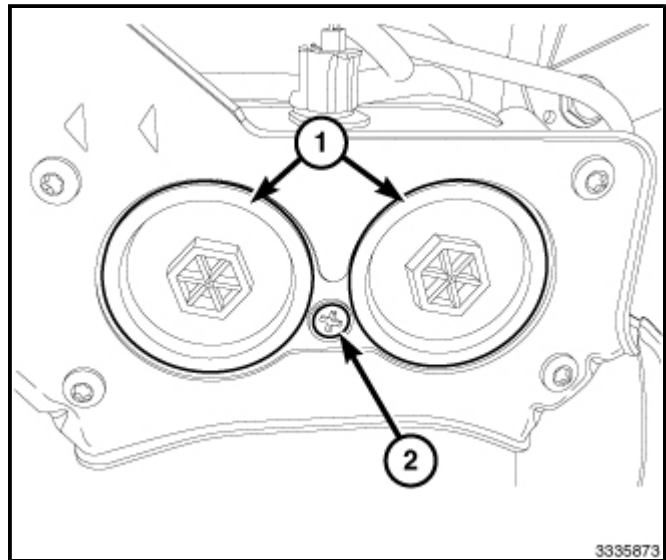


2014 3.0L - Fuel System/Fuel Delivery, Diesel/SEPARATOR and FILTER, Fuel and Water/Removal

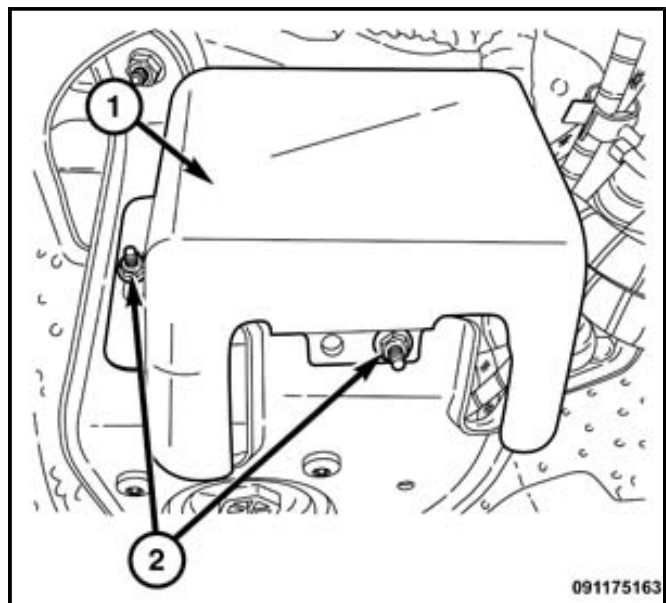
REMOVAL

WARNING: No sparks, open flames or smoking. Risk of poisoning from inhaling and swallowing fuel. Risk of injury to eyes and skin from contact with fuel. Pour fuels only into suitable and appropriately marked containers. Wear protective clothing.

1. Disconnect the negative battery cable.
2. Remove the transmission skid plate
3. Loosen drain plug (2) and drain fuel filter/water separator into a suitable container.
4. Securely tighten drain plug (2).

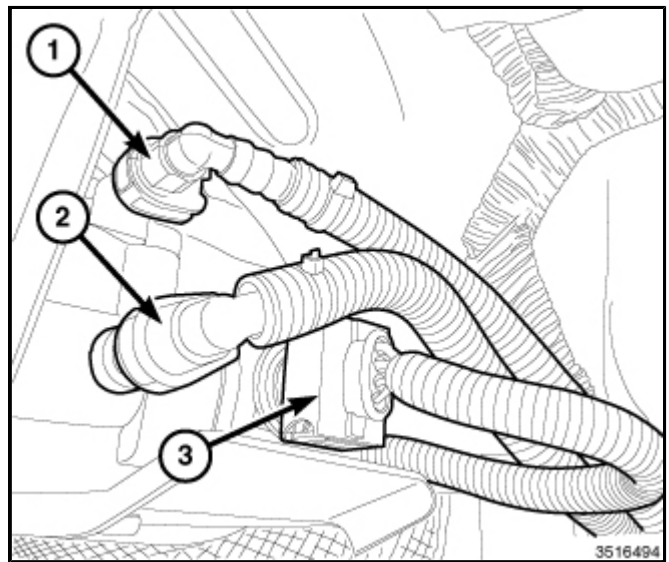


5. Remove nuts (2) and the fuel filter shield (1).

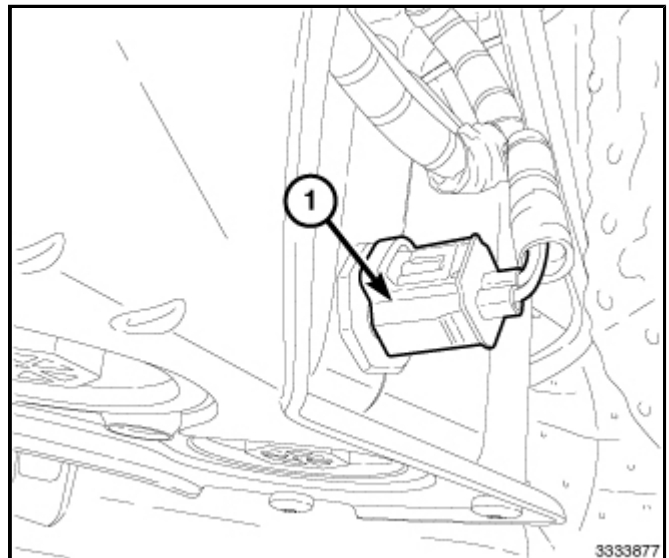


6. Disconnect the fuel filter/water separator outlet fuel line (1)

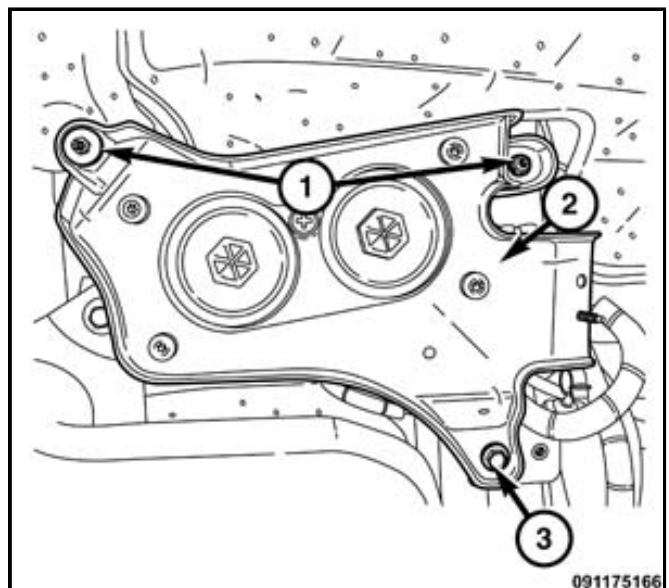
7. Disconnect the fuel filter/water separator inlet fuel line (2)
8. Disconnect the combination fuel heater/temperature sensor harness connector (3).



9. Disconnect the Water In Fuel (WIF) sensor harness connector (1).



10. Remove nuts (1) bolt (3), and the fuel filter/water separator assembly (2).

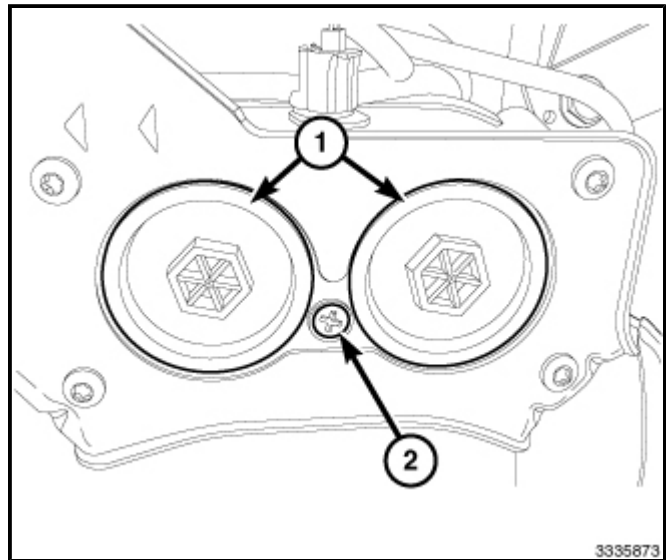


14 - Fuel System/Fuel Delivery, Diesel/SEPARATOR and FILTER, Fuel and Water/Installation

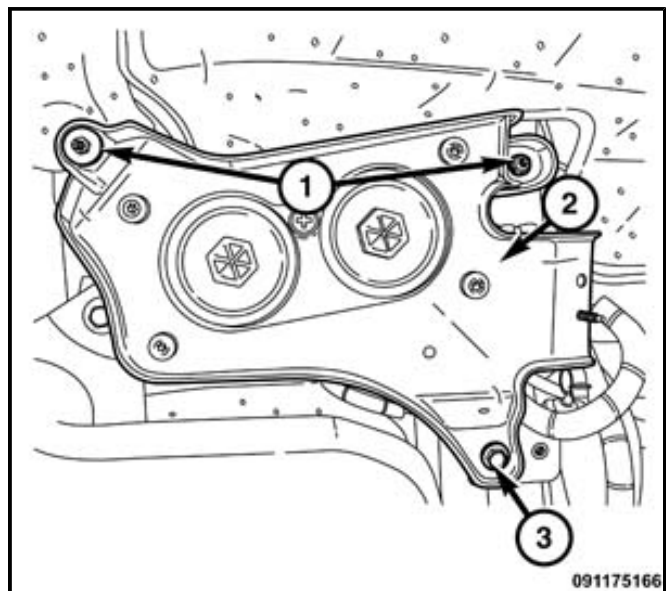
INSTALLATION

WARNING: No sparks, open flames or smoking. Risk of poisoning from inhaling and swallowing fuel. Risk of injury to eyes and skin from contact with fuel. Pour fuels only into suitable and appropriately marked containers. Wear protective clothing.

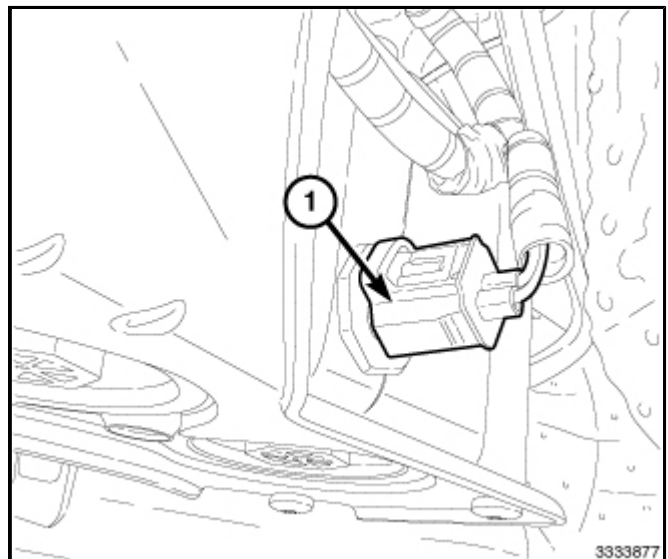
1. Make sure fuel filter drain port (2) is closed.



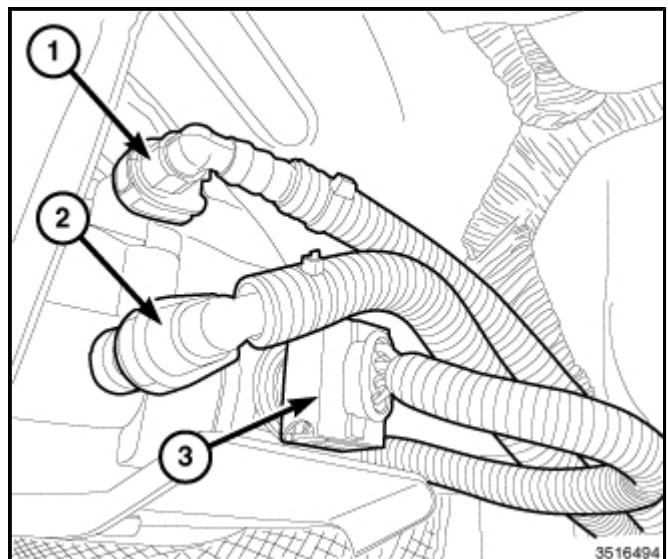
2. Install the fuel filter/water separator assembly (2). Tighten two nuts (1) and one bolt (3) to 20 N·m (177 in. lbs.).



3. Connect the Water In Fuel (WIF) sensor harness connector (1).



4. Connect the combination fuel heater/temperature sensor harness connector (3).
5. Connect the fuel filter/water separator inlet fuel line (2).
6. Connect the fuel filter/water separator outlet fuel line (1).



7. Install the fuel filter shield (1). Tighten nuts (2) 14 N-m (124 in. lbs.).
8. Install the transmission skid plate
9. Lower the vehicle.
10. Connect the negative battery cable.
11. Start the engine and inspect for leaks.

