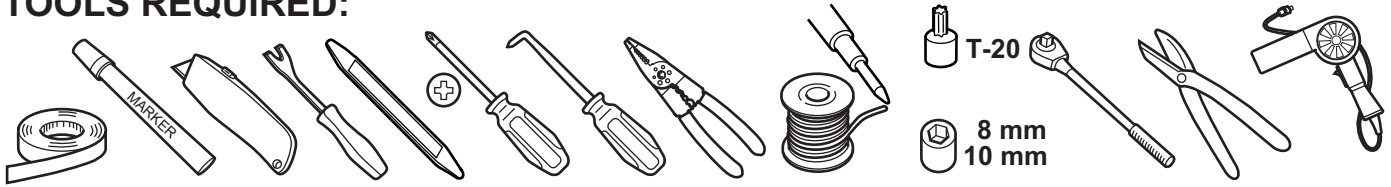




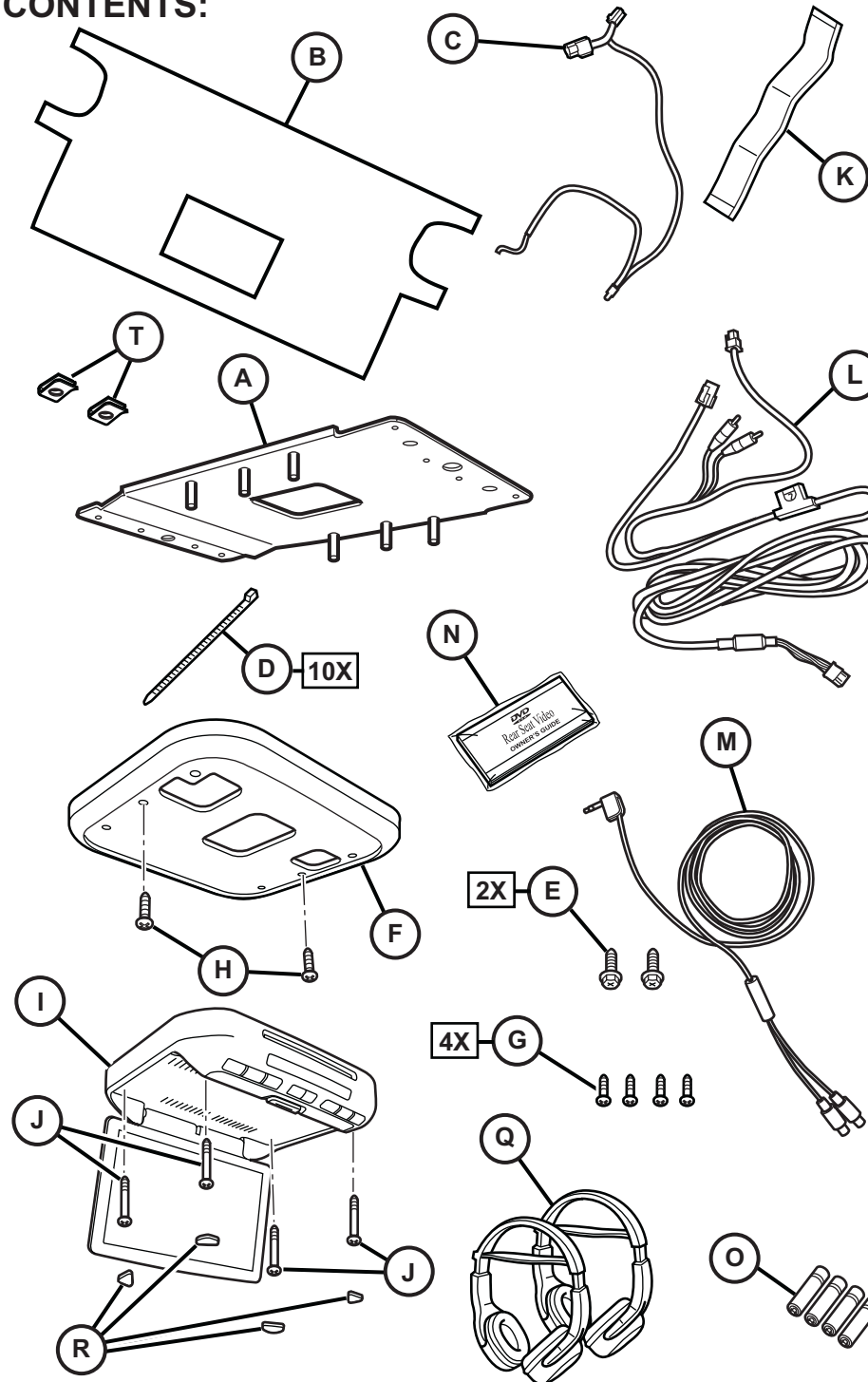
JEEP GRAND CHEROKEE

10" DVD VES KIT NON MOONROOF ONLY

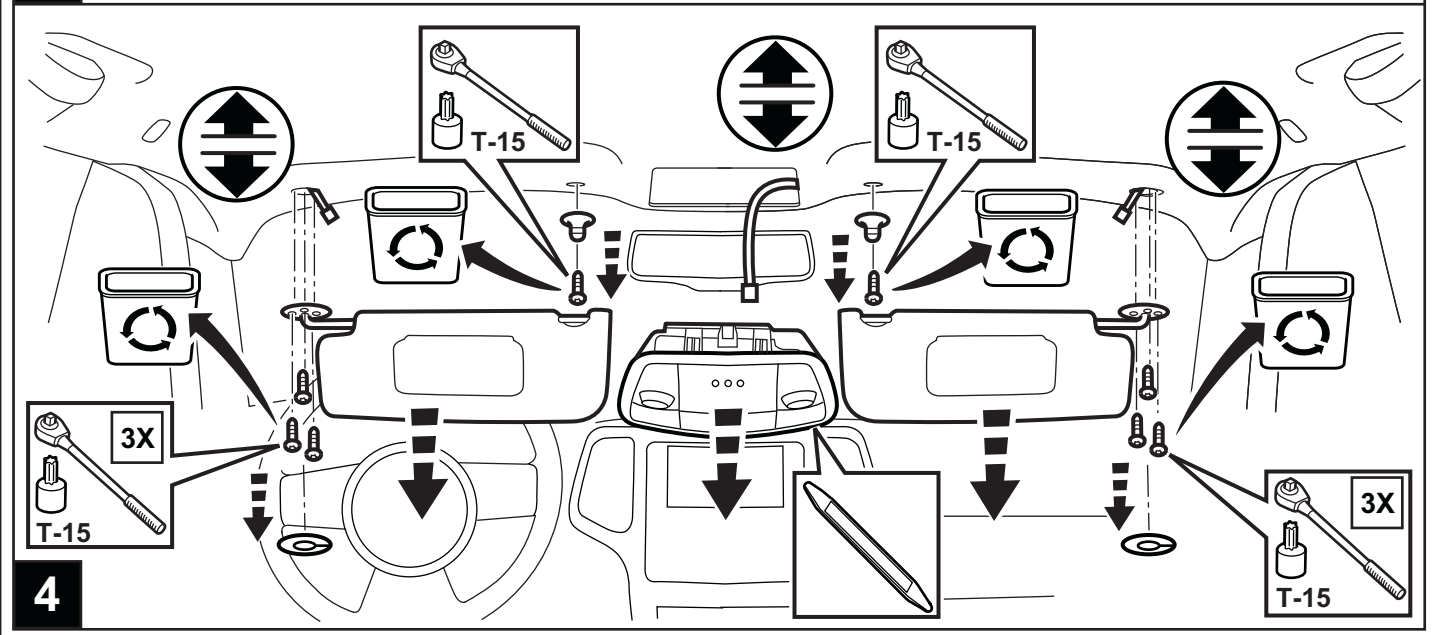
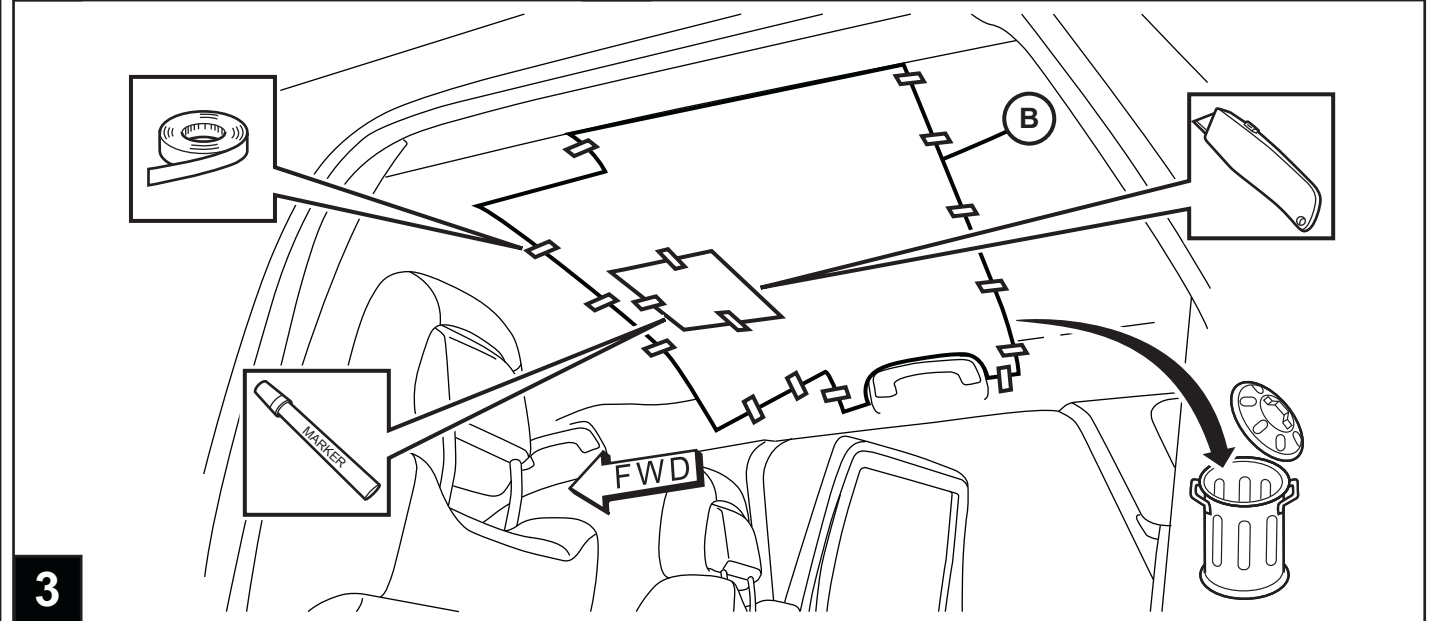
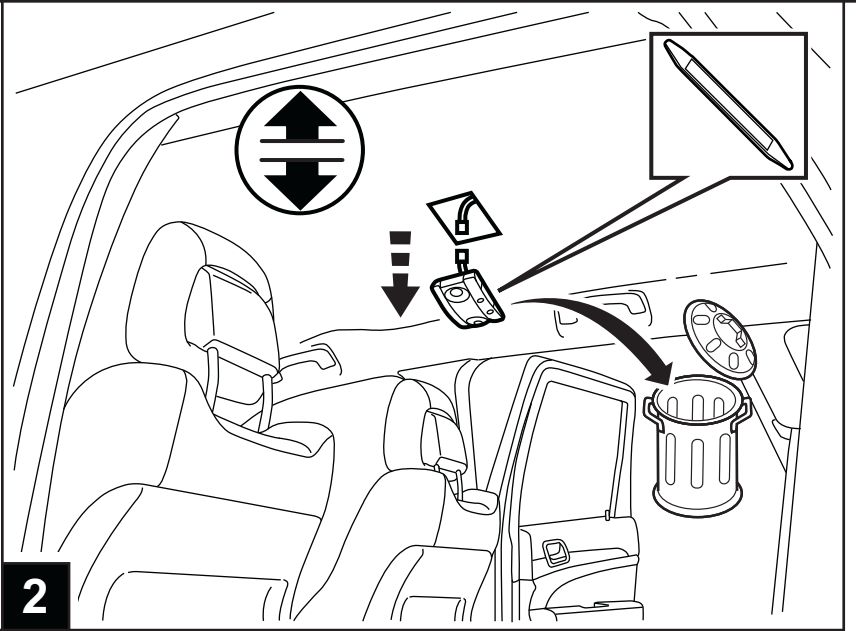
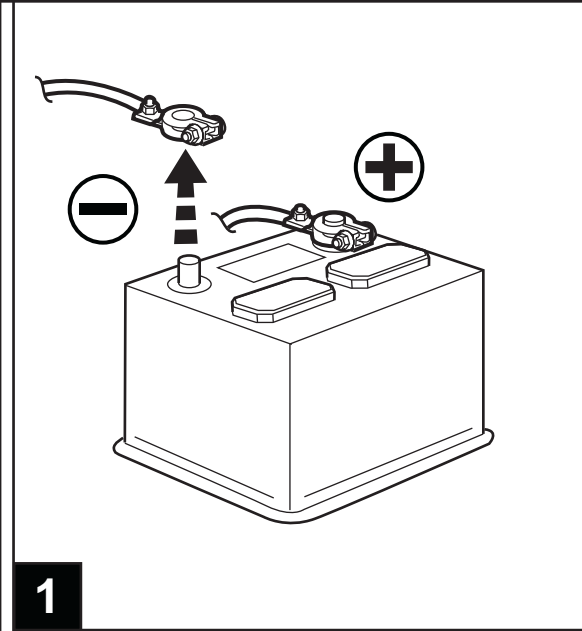
TOOLS REQUIRED:

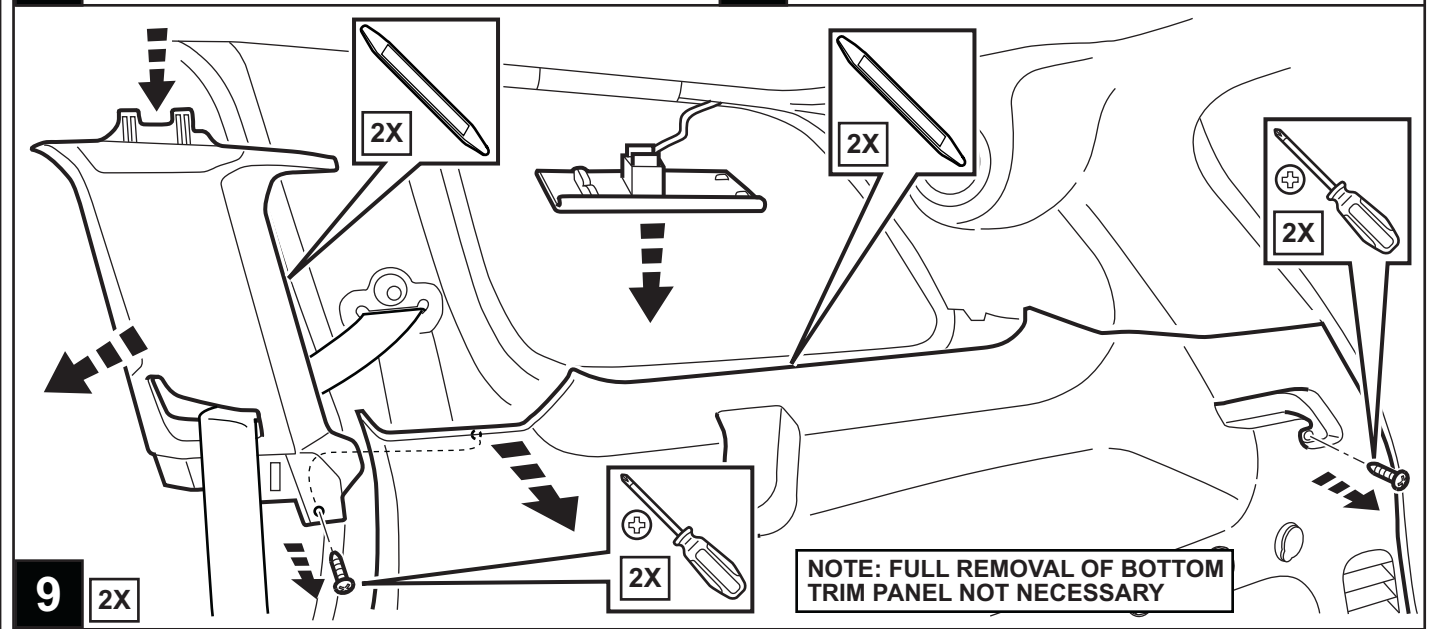
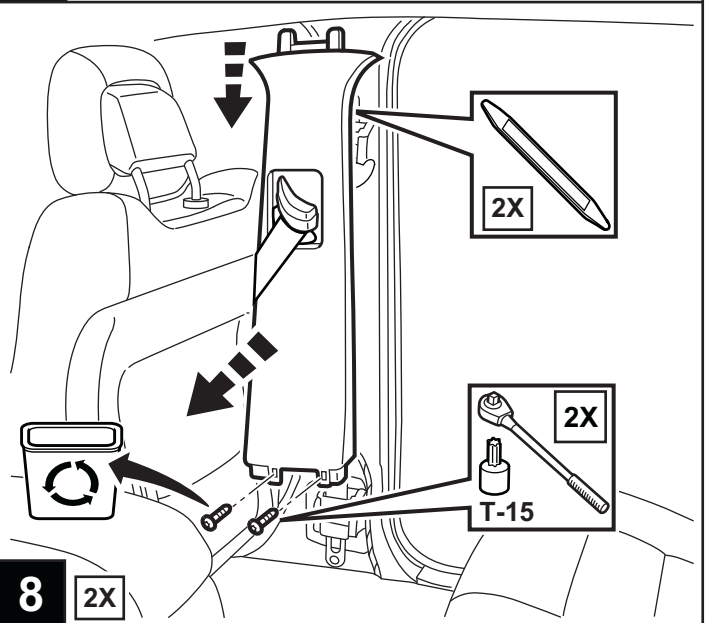
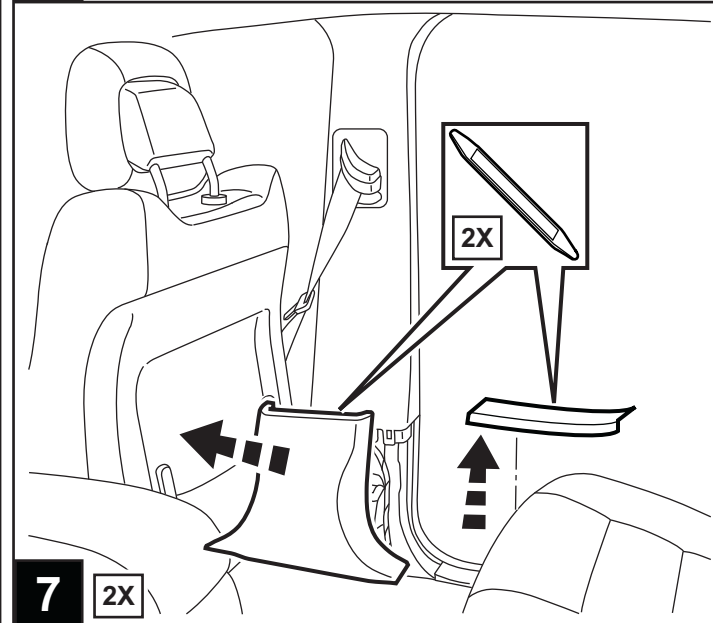
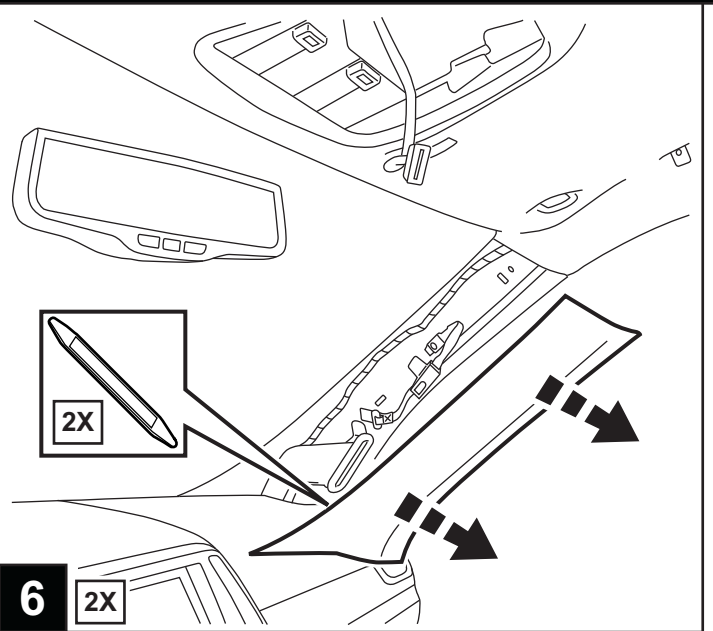
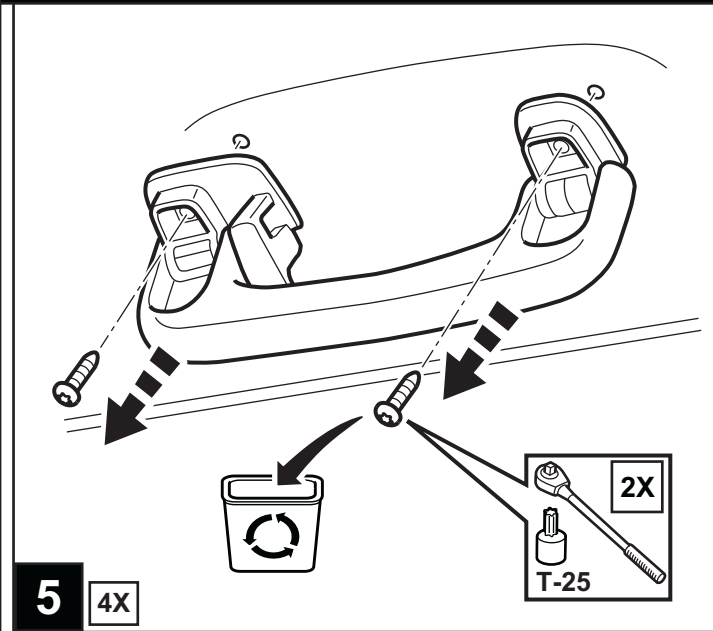


CONTENTS:

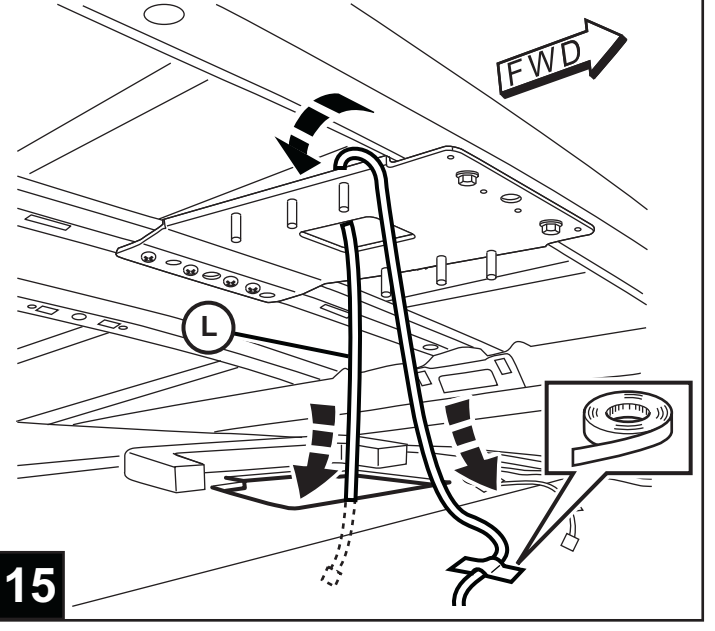
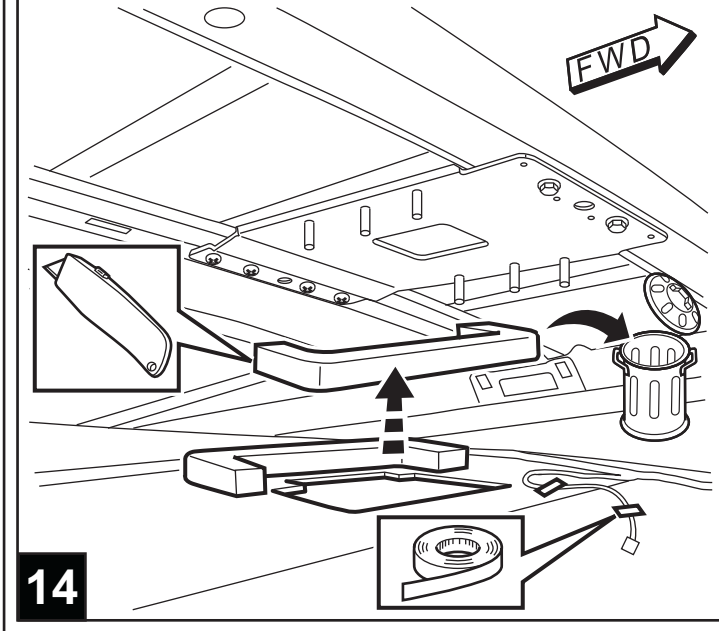
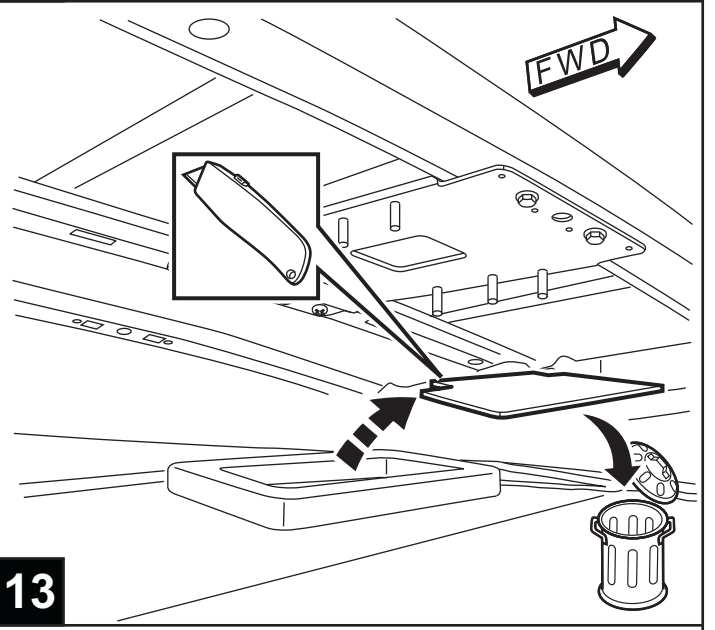
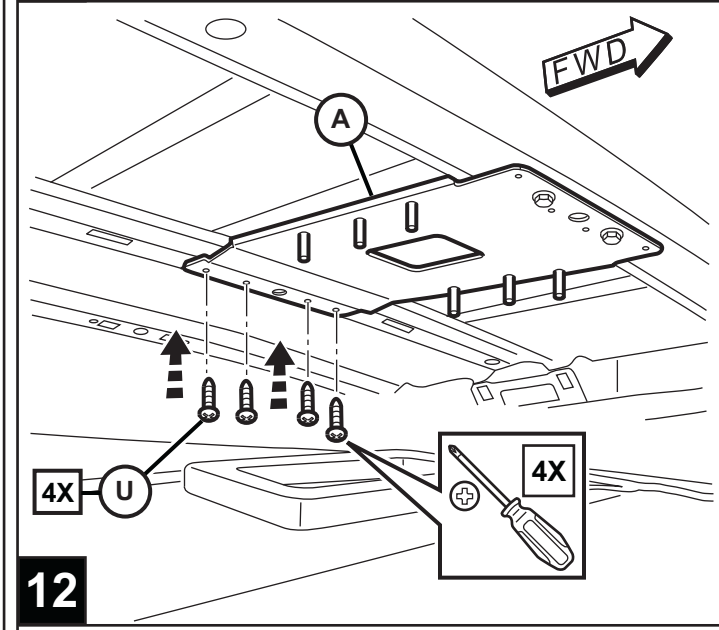
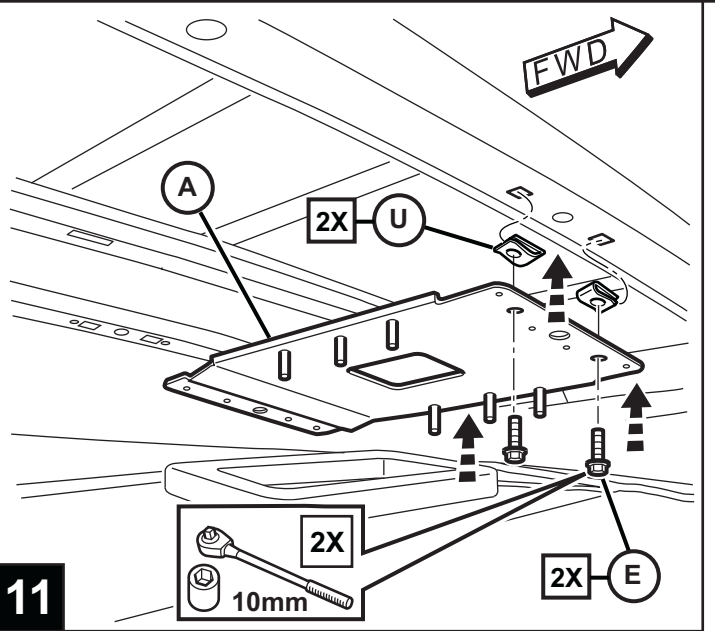
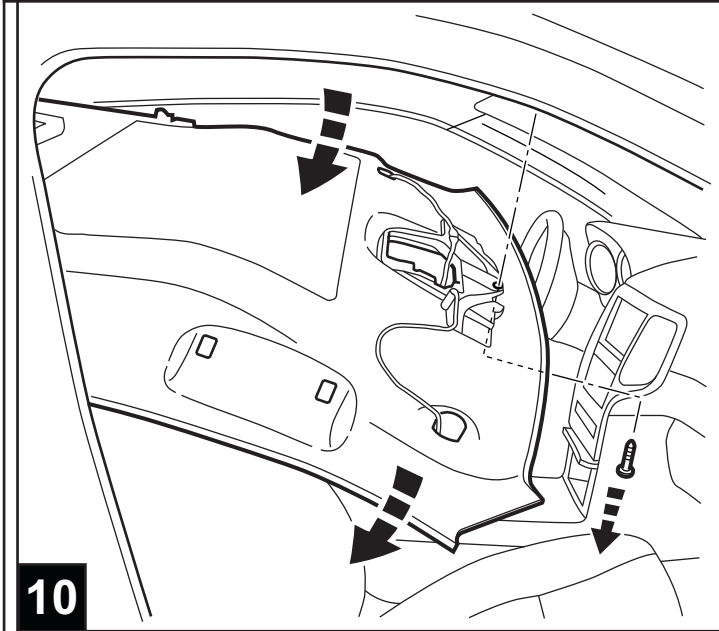


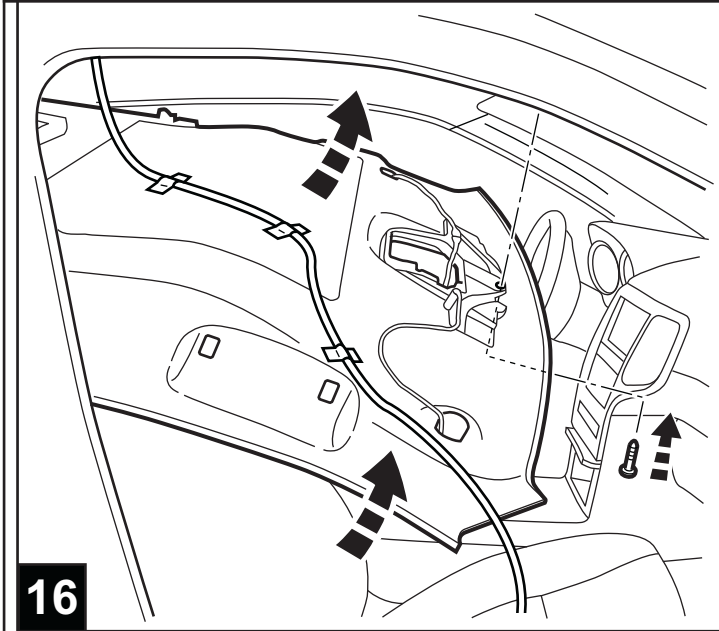
Item	Qty.	Description
(A)	1	Mounting Bracket
(B)	1	Template
(C)	1	T-Harness
(D)	10	Tie Straps
(E)	2	M6 Bolts
(F)	1	Shroud
(G)	4	Self-tapping Screws
(H)	2	Shroud Screws
(I)	1	10" DVD Unit
(J)	4	DVD Mounting Screws
(K)	1	Foam Tape
(L)	1	Wire Harness
(M)	1	Audio Cable
(N)	1	Owner's Manual
(O)	4	Batteries
(P)	1	DVD Remote Control
(Q)	2	Headphones
(R)	4	Screw Cover
(S)	1	Mercury Warning Label
(T)	2	U-nuts
(U)	1	Shrink Wrap



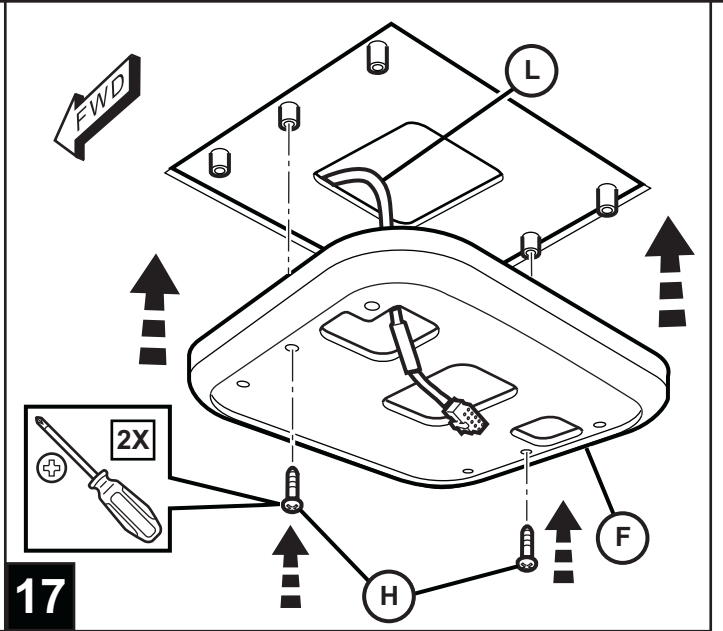


NOTE: FULL REMOVAL OF BOTTOM TRIM PANEL NOT NECESSARY

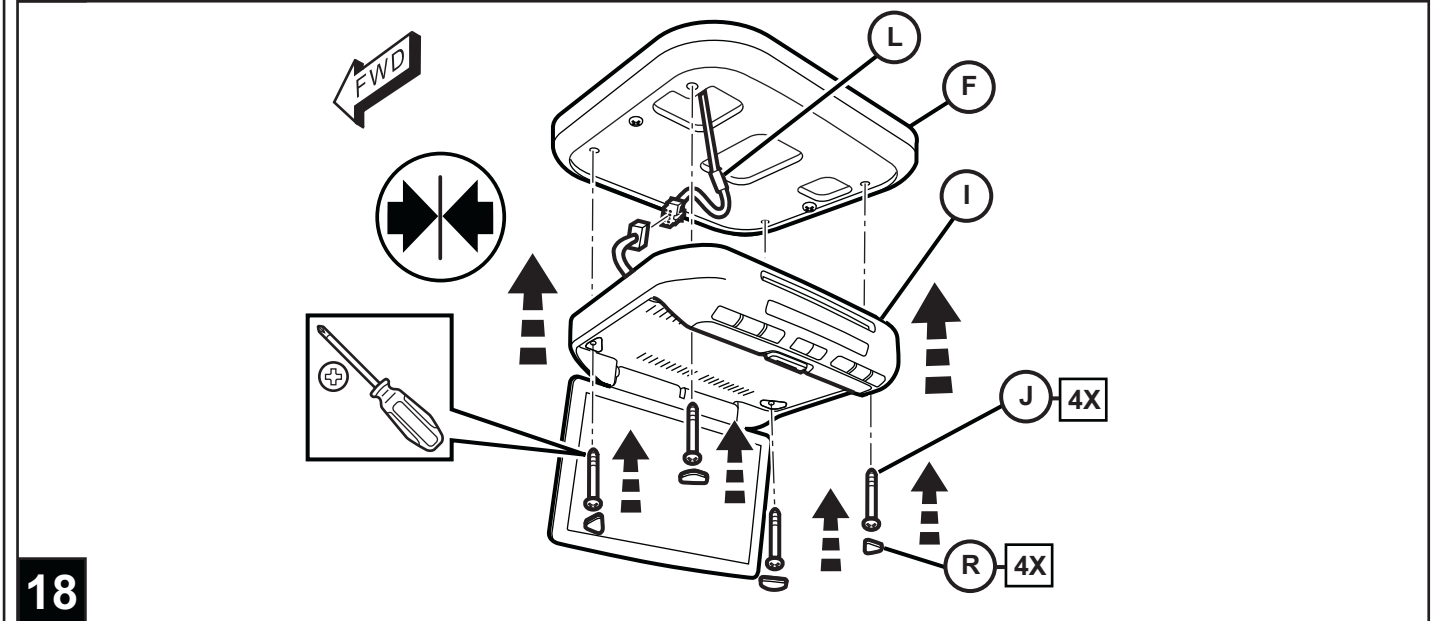




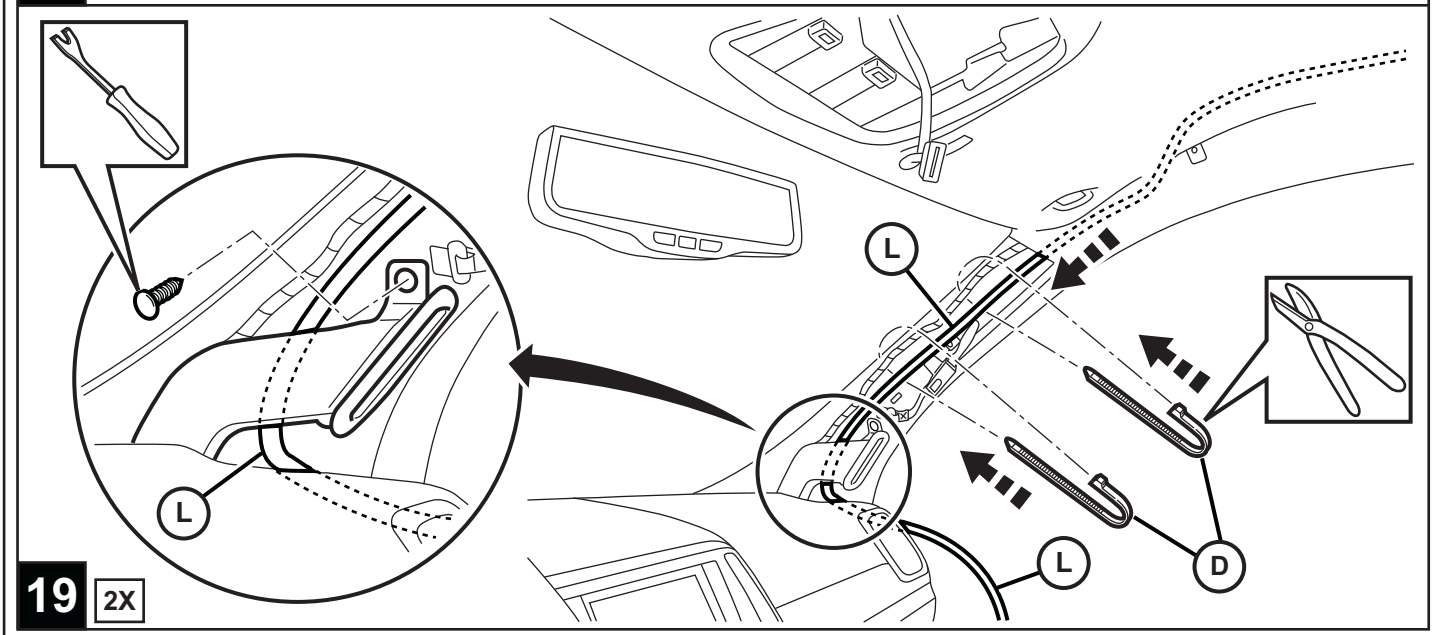
16



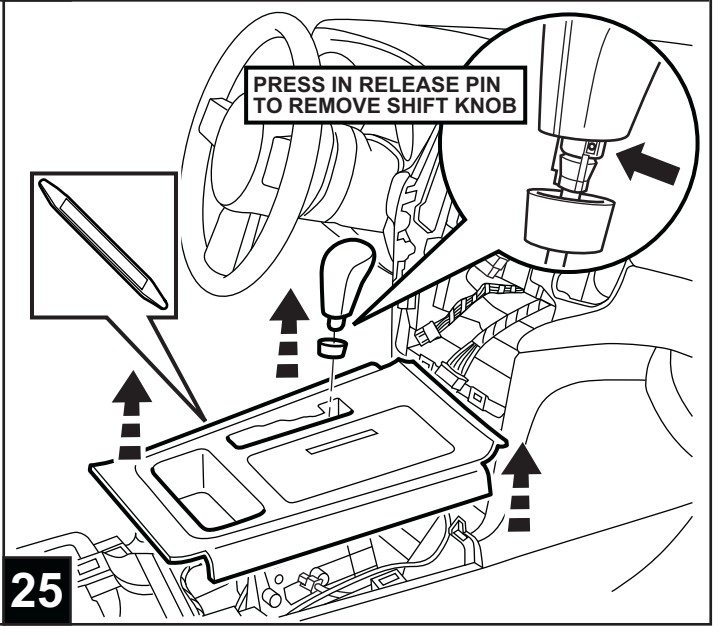
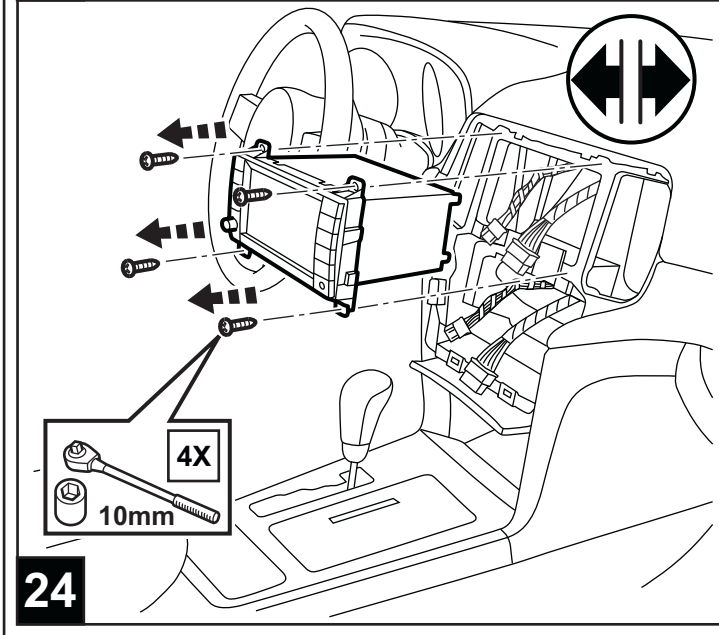
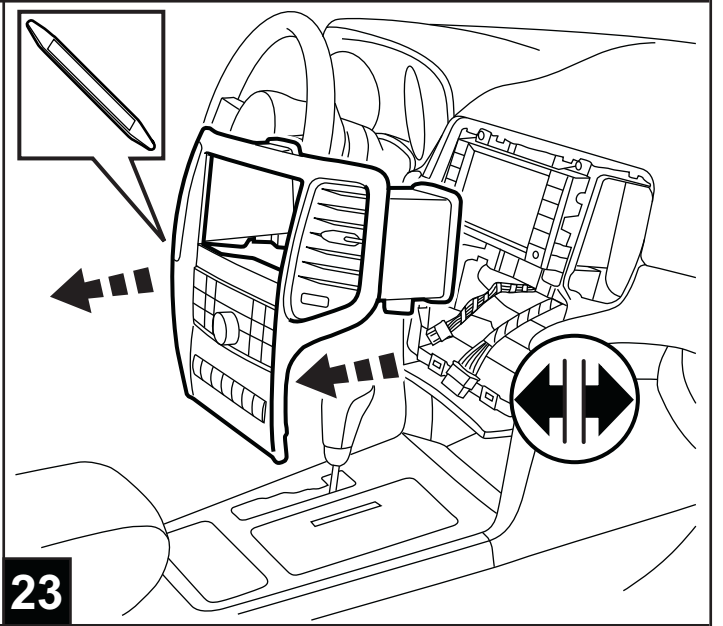
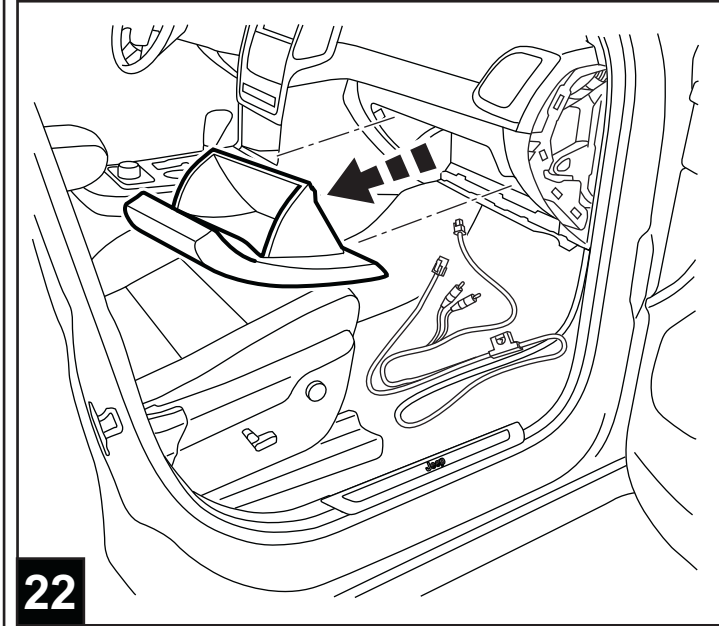
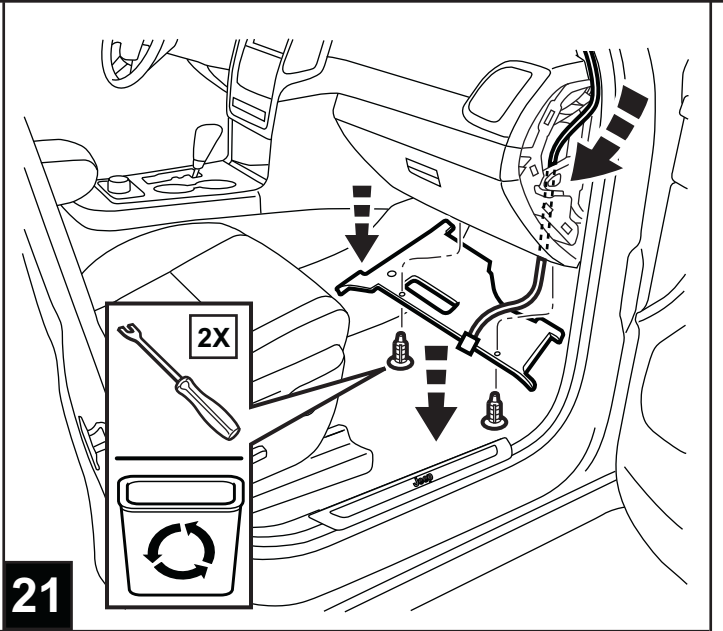
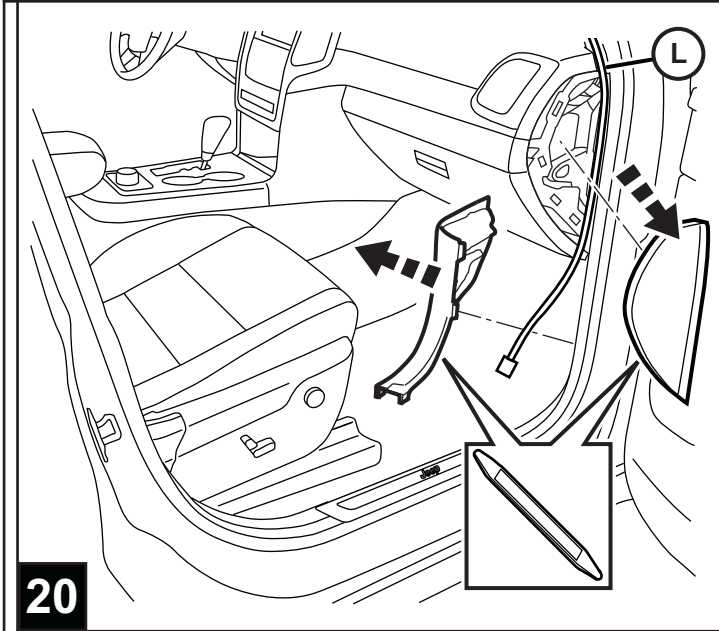
17

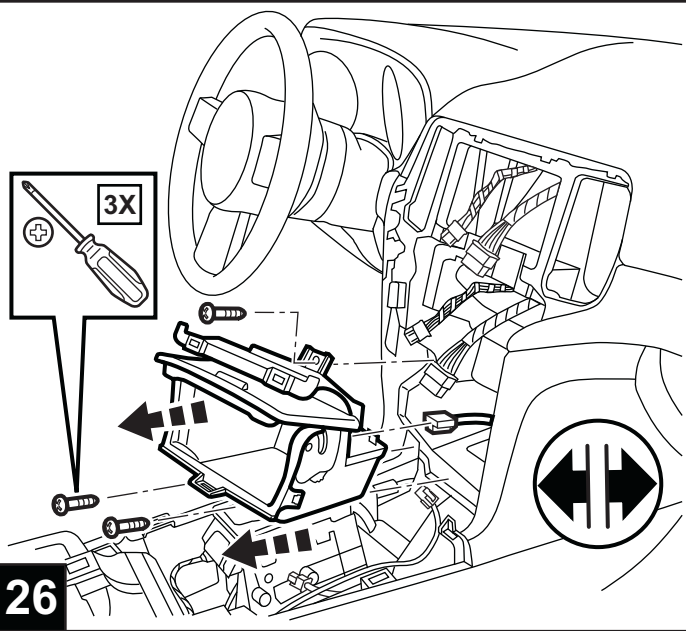


18

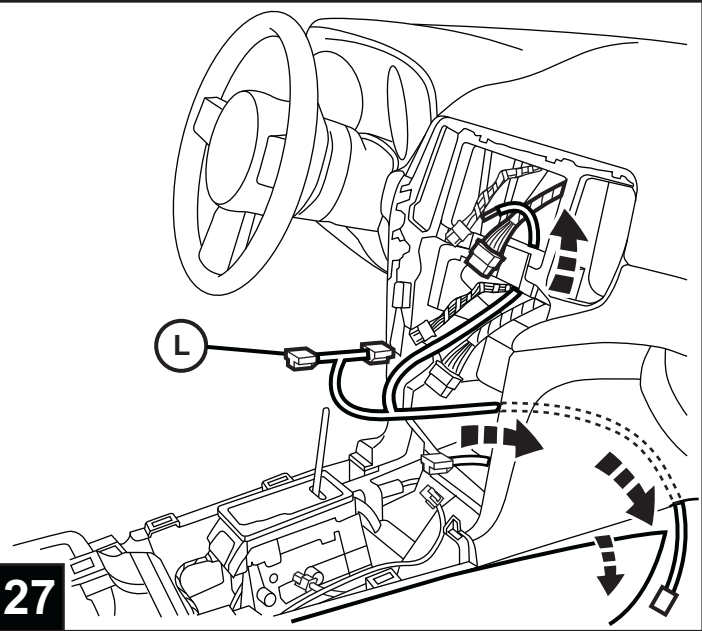


19 2X

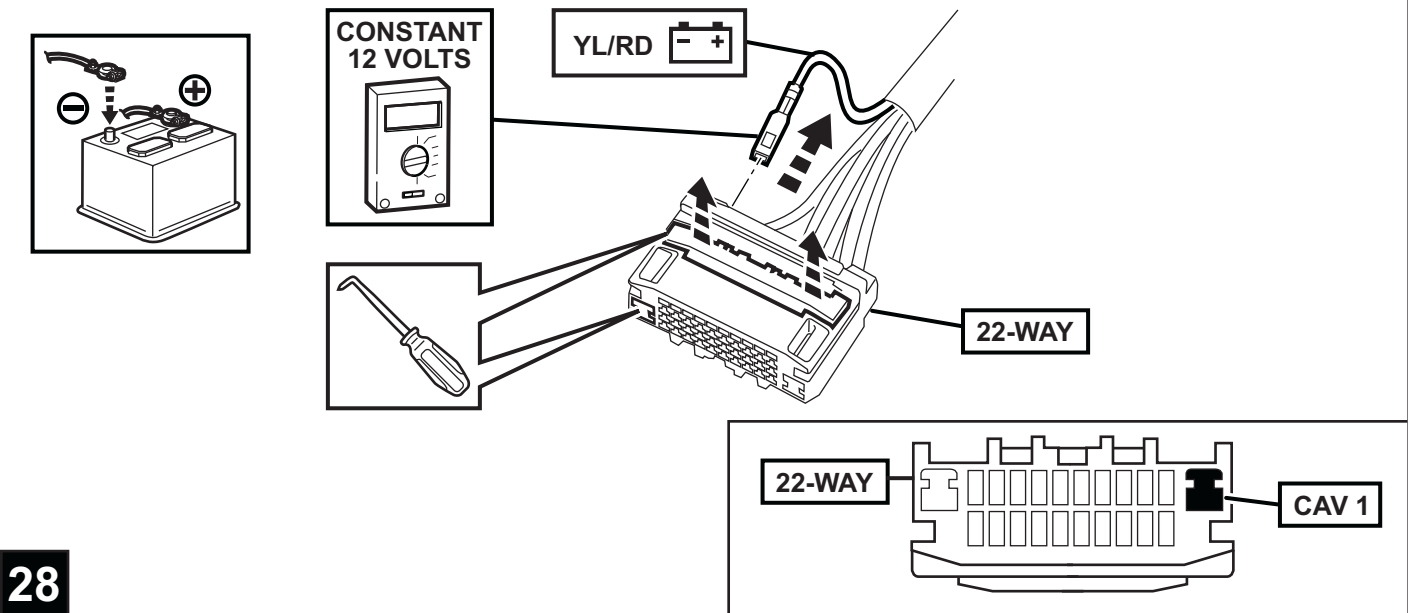




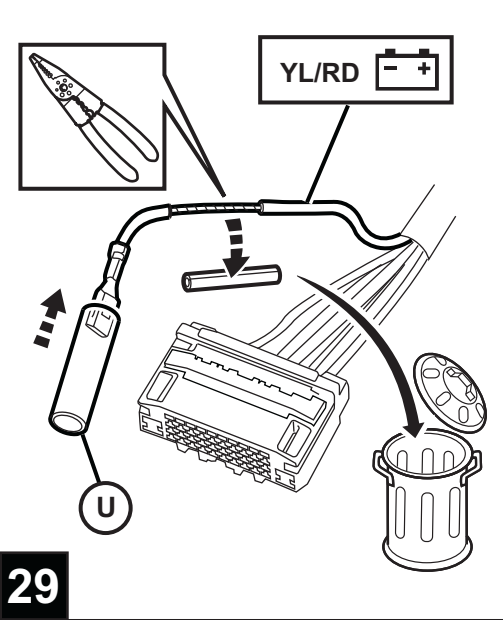
26



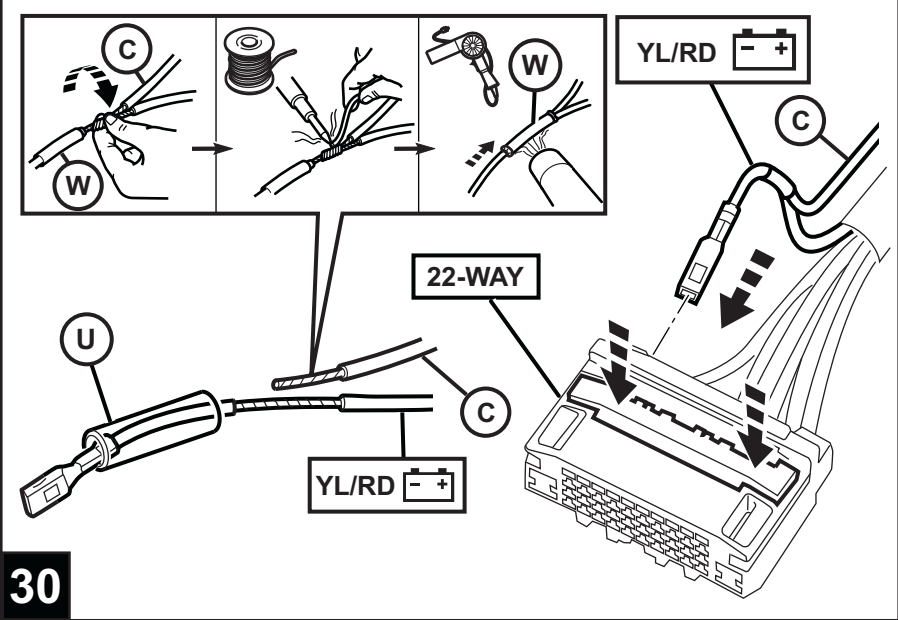
27



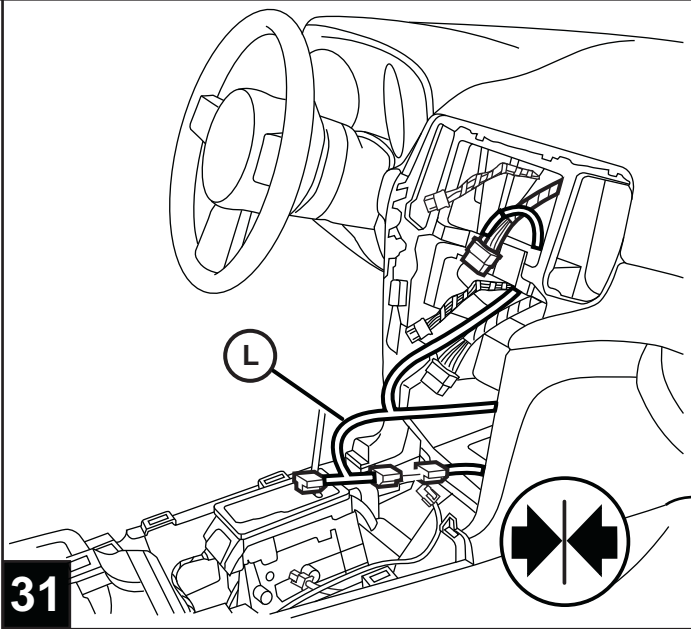
28



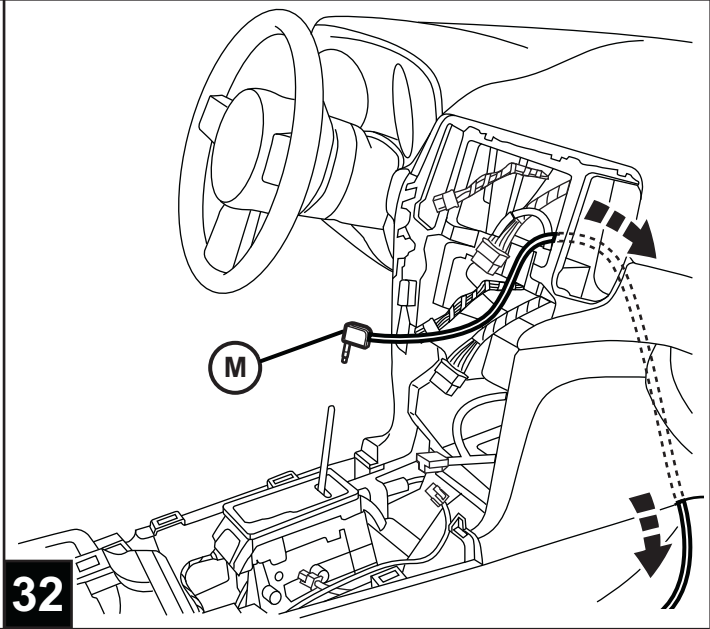
29



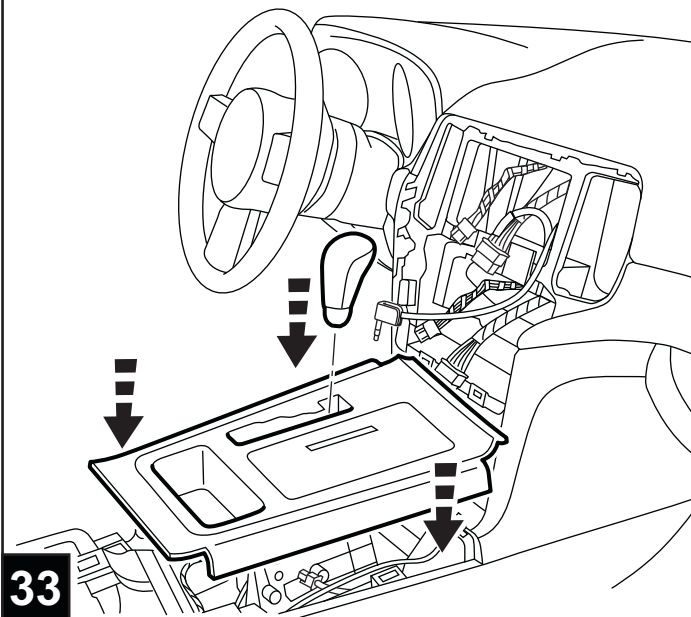
30



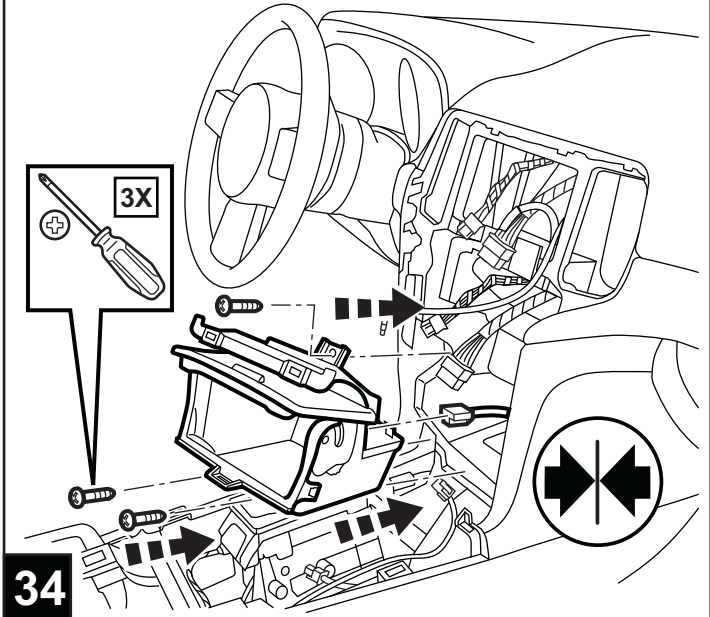
31



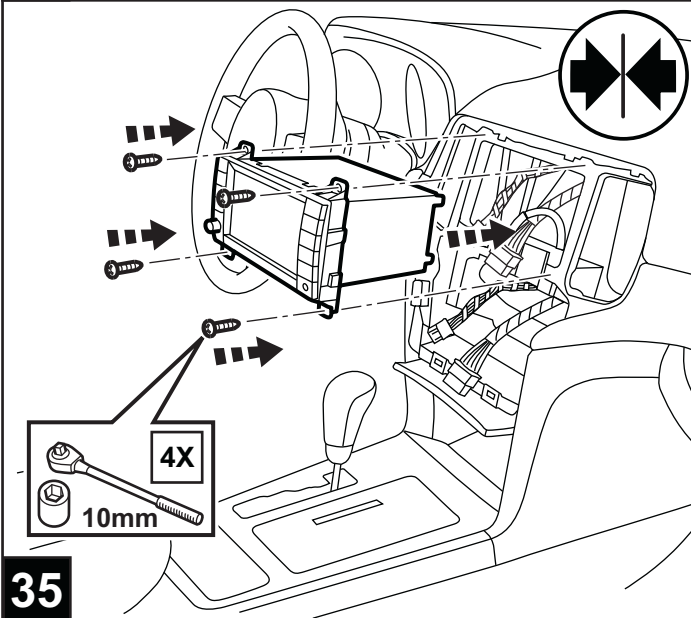
32



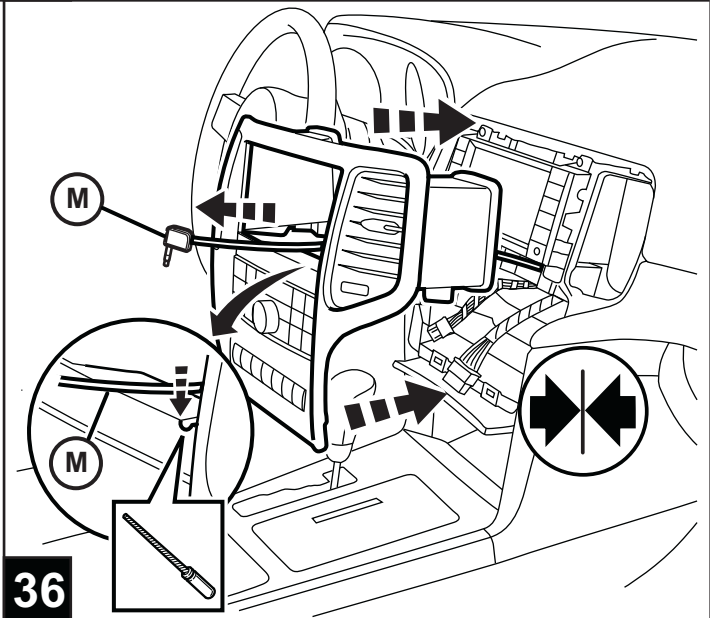
33



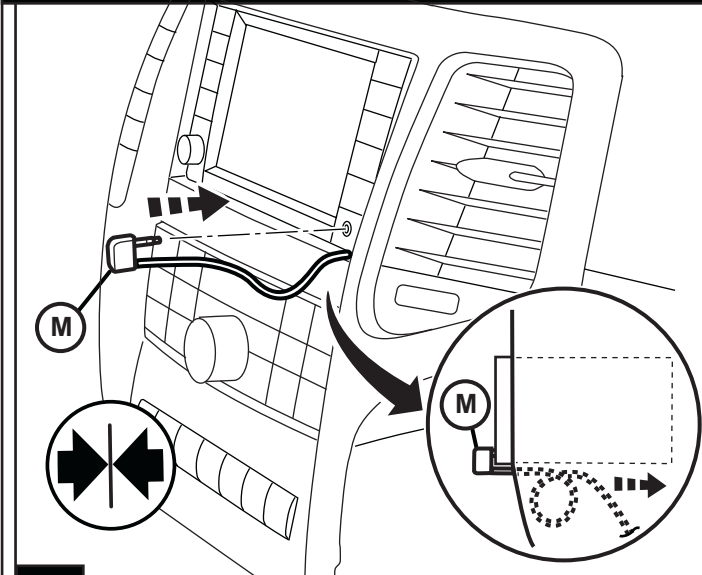
34



35

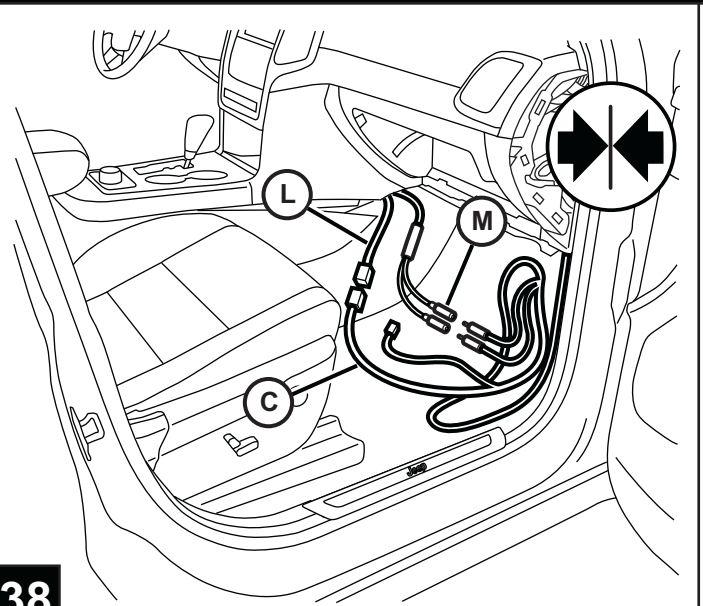


36

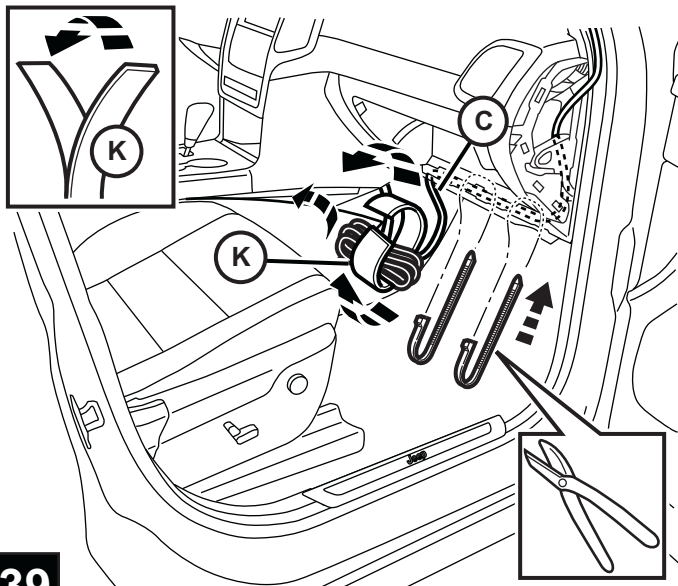


37

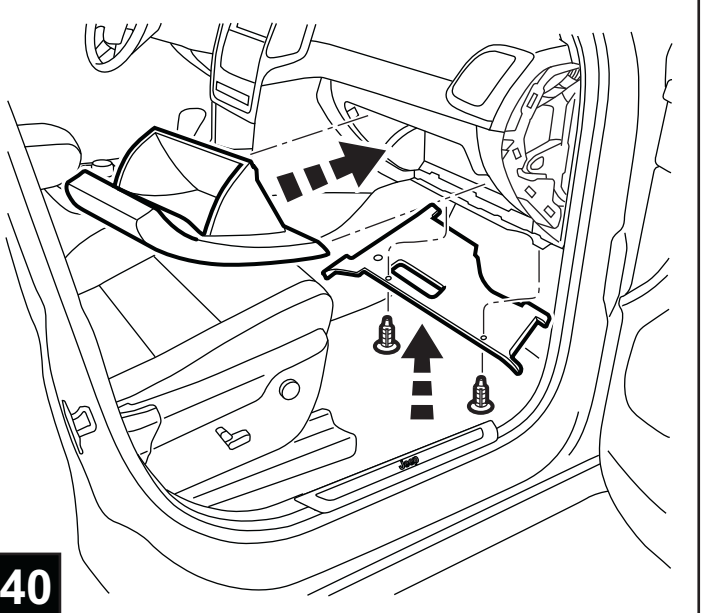
Tuck Audio Wire Excess into I/P Cavity.



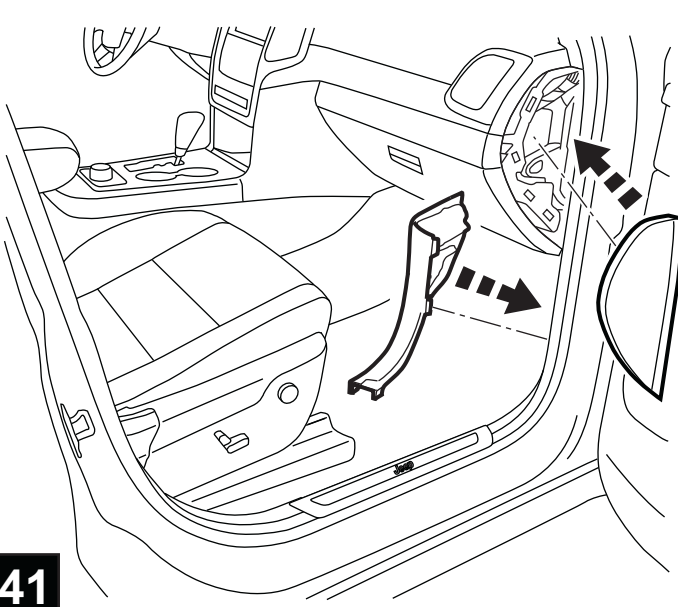
38



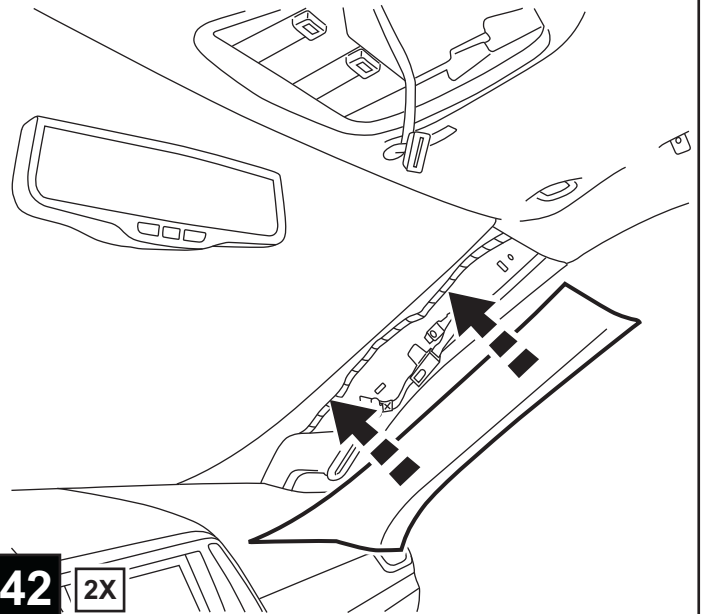
39



40

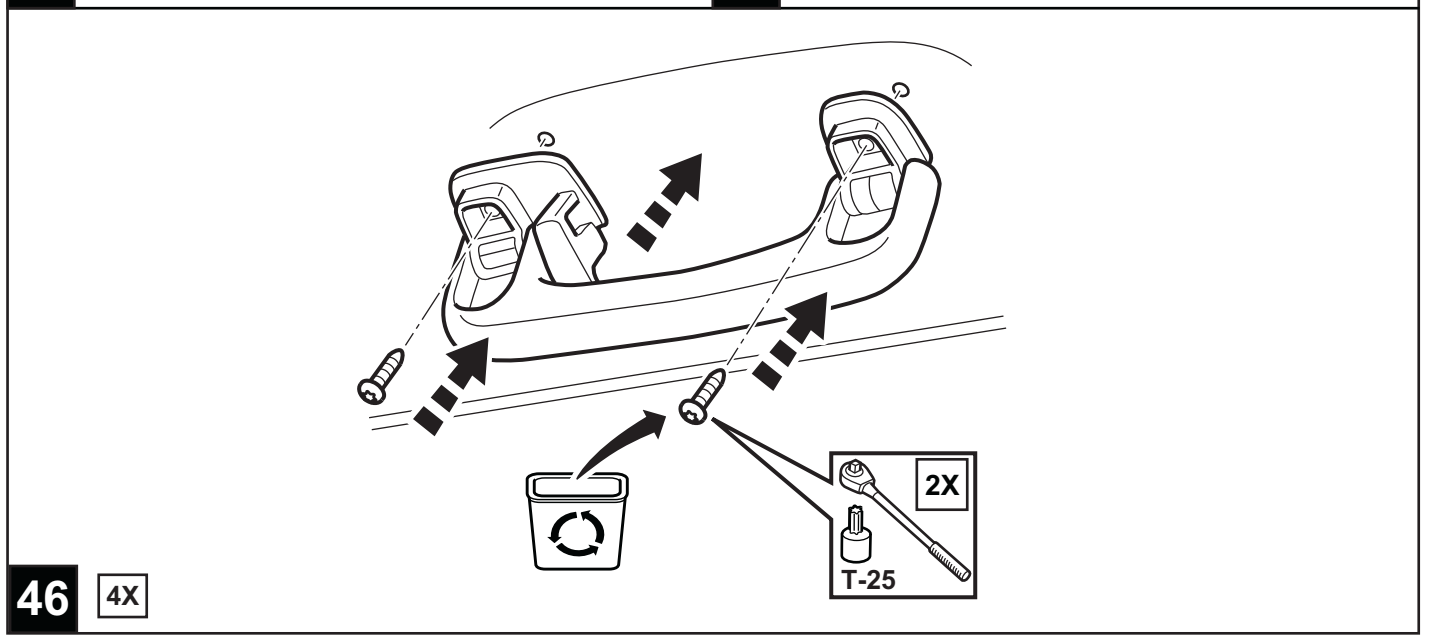
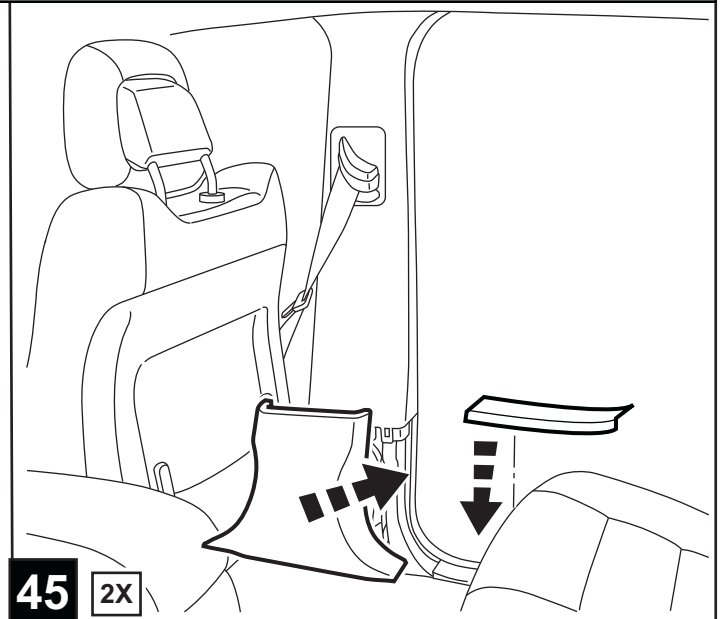
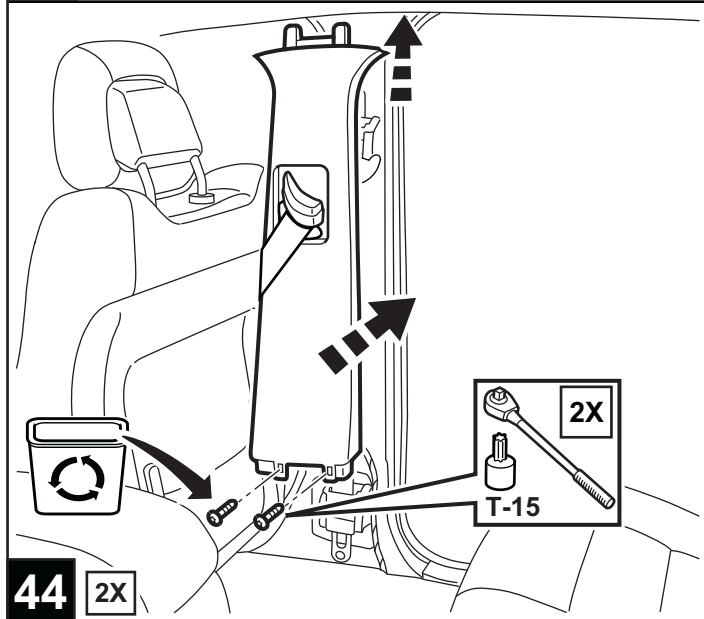
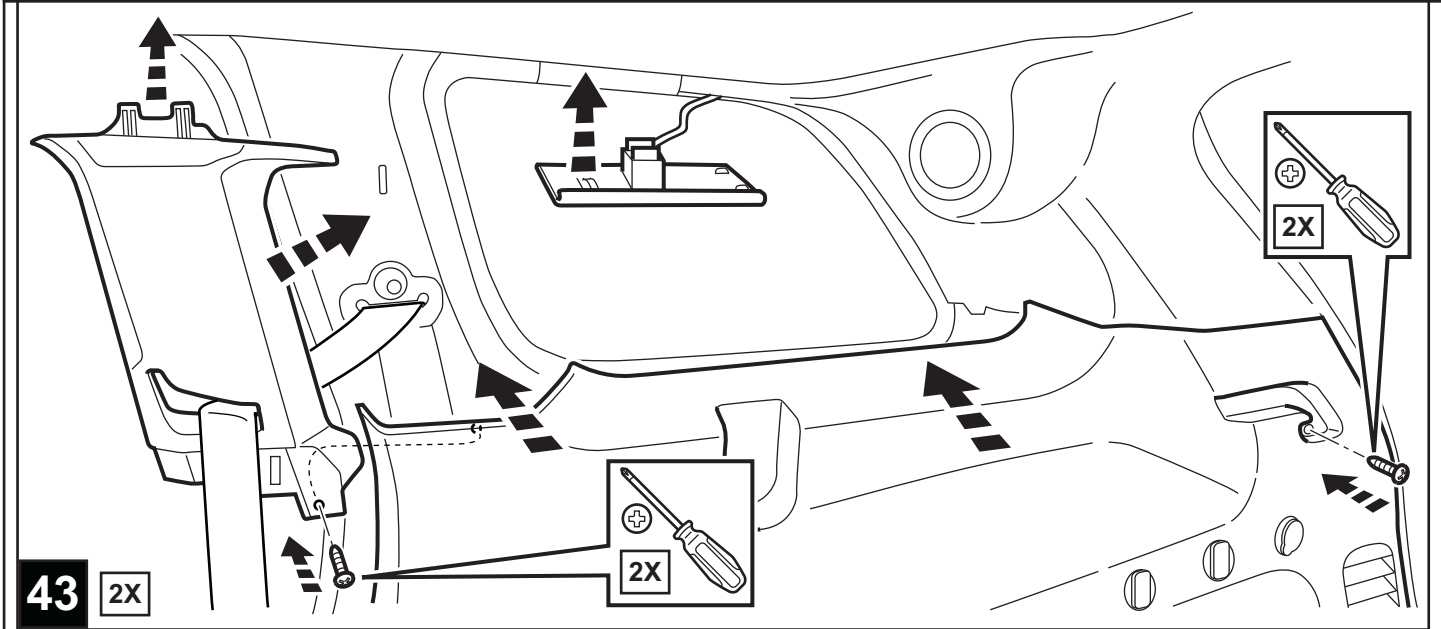


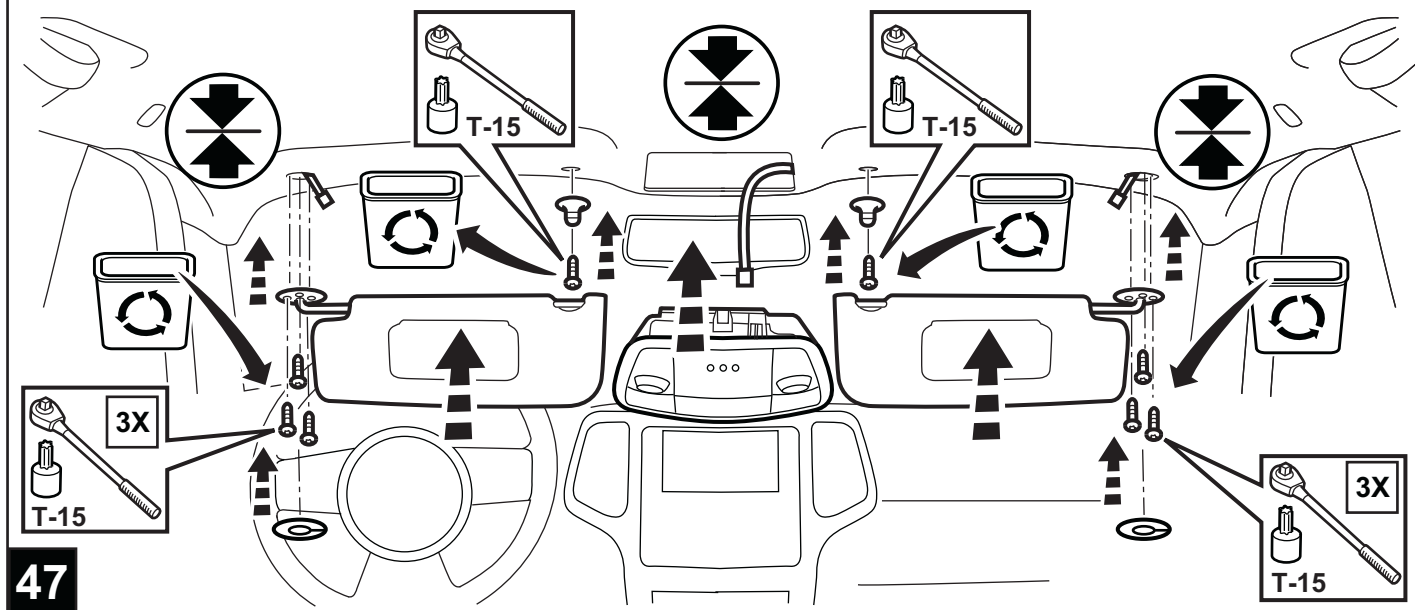
41



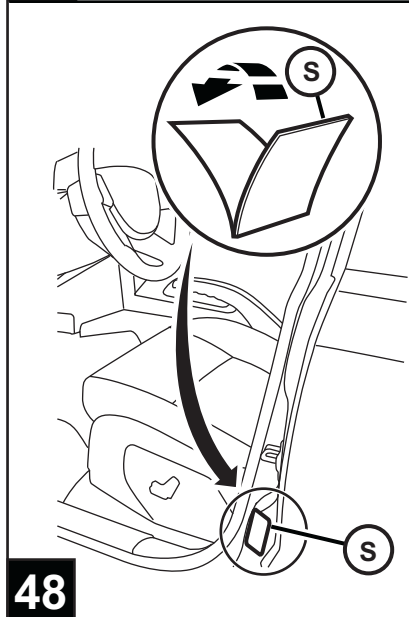
42

2X

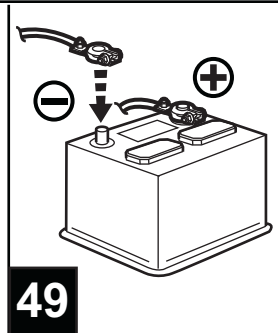




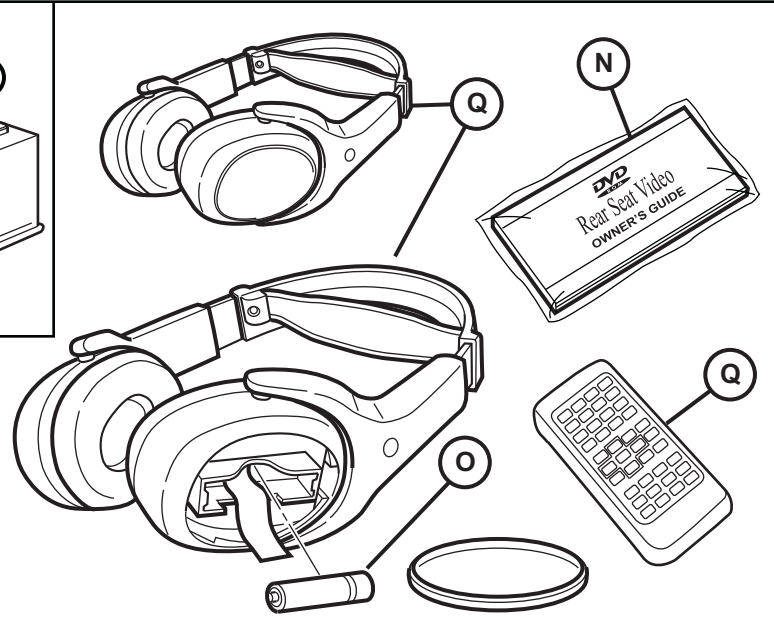
47



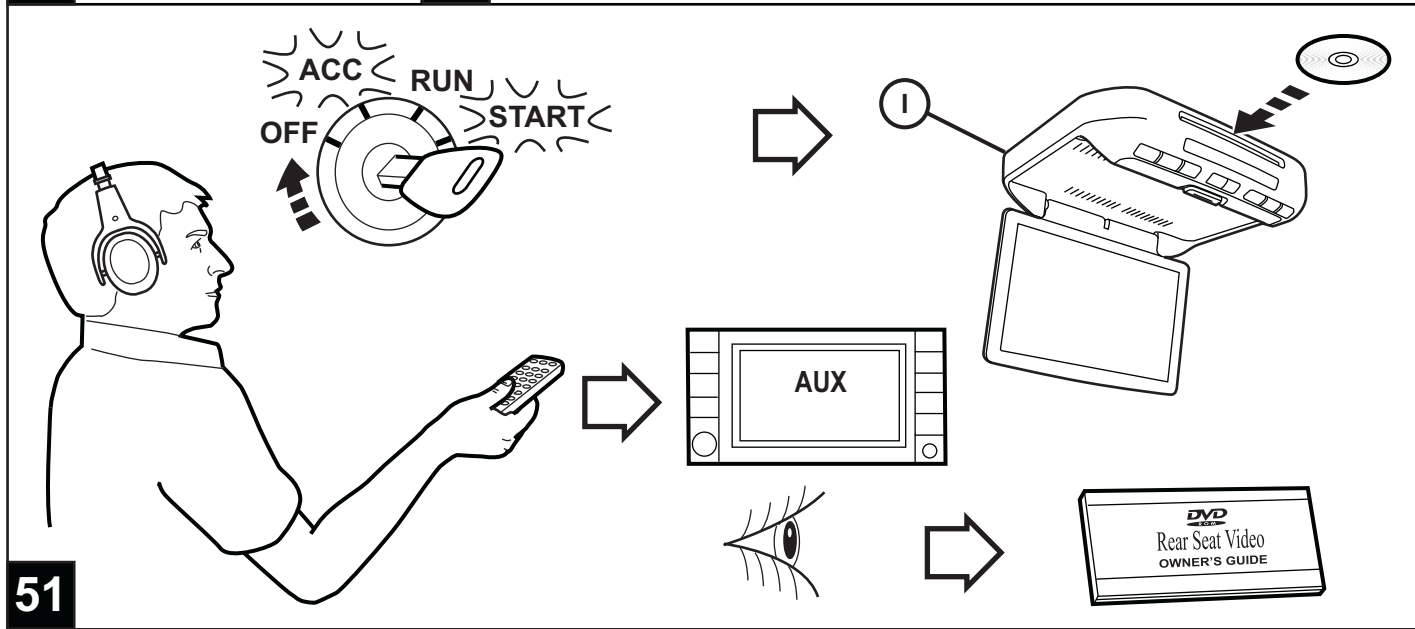
48



49



50



51