

VIN PLATE DECODING INFORMATION

1	2	3	4	5	6	7	8	9	10	11	12 thru 17
Country	Make	Vehicle Type	Other	Line	Series	Body Style	Engine	Check Digit	Model Year	Assy. Plant	Sequence No.

The following table interprets the VIN Plate position shown above.

Position	Interpretation	Codes = Description
1	Country of Origin	1 = Chrysler LLC
2	Assembler	J = Jeep
3	Vehicle Type	4 = Multipurpose Passenger Vehicle (MPV)
4	GVWR & Pass. Safety	C = 6001-7000# (2722 - 3175 KG) GVWR & Hyd. Brakes J = 6001-7000# (2722 - 3175 KG) GVWR & Hyd. Brakes R = 6001-7000# (2722 - 3175 KG) GVWR & Hyd. Brakes Y = 6001-7000# (2722 - 3175 KG) GVWR & Hyd. Brakes
5	Vehicle Line	S = Grand Cherokee Left Hand Drive (4x2) R = Grand Cherokee Left Hand Drive (4x4) 2 = Grand Cherokee Right Hand Drive (4x4)
6	Series	4 = Grand Cherokee Laredo (U.S., Canada, Mexico) 5 = Grand Cherokee Limited (U.S., Canada, Mexico) 6 = Grand Cherokee Overland (U.S., Canada, Mexico) 7 = Grand Cherokee SRT-8 (U.S., Canada, Mexico)
7	Body Style	G = Sport Utility 4 Door
8	Engine	G = 3.6L 6 CYL Gasoline Non - Turbo ERB T = 5.7L 8 CYL Gasoline Non Turbo EZH M = 3.0L 6 CYL Diesel EXF
9	Check Digit	0 = Check Digit
10	Model Year	B = 2011 Model Year
11	Assembly Plant	C = Jefferson North Assembly
12 thru 17	Vehicle Build Sequence	Model Year Assembly Sequence

Group - 2

Front Suspension

Group - 2 Front Suspension

Illustration Title

Group-Fig. No.

Front Suspension, Strut and Cradle

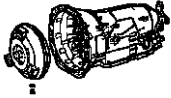
Suspension, Front..... Fig. 2 - 110
 Cradle, Front Suspension Fig. 2 - 120

Front Stabilizer Bar

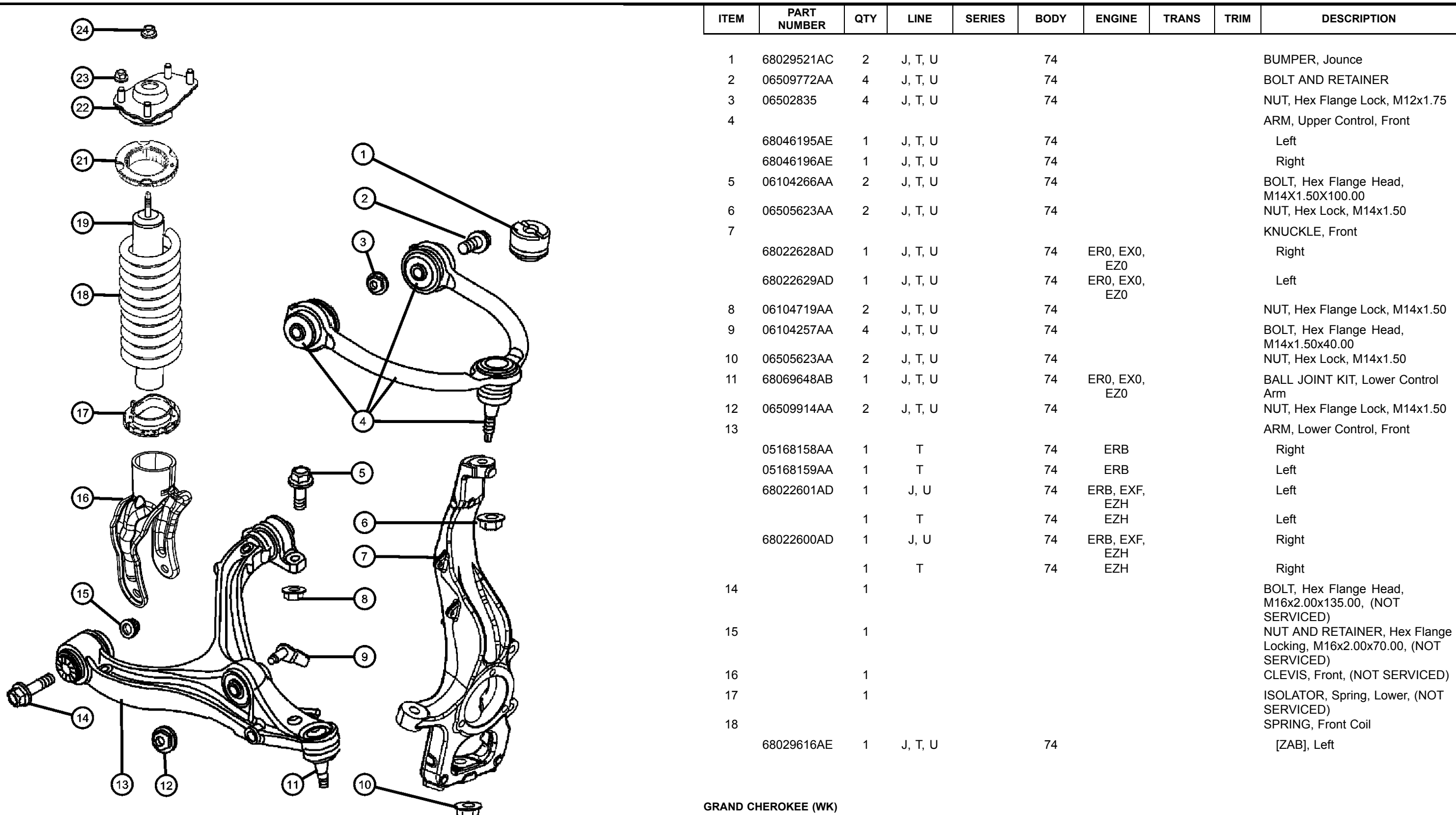
Stabilizer Bar, Front..... Fig. 2 - 210

Air Suspension

Quadra-Lift (TM) Air Suspension..... Fig. 2 - 310
 Air Supply Lines Fig. 2 - 320
 Compressor Assembly..... Fig. 2 - 330

<p>002-100 Front Suspension, Strut and Cradle</p> 	<p>002-200 Front Stabilizer Bar</p>	<p>002-300 Air Suspension</p>	
--	--	--	--

Suspension, Front
Figure 2-110



ITEM	PART NUMBER	QTY	LINE	SERIES	BODY	ENGINE	TRANS	TRIM	DESCRIPTION
1	68029521AC	2	J, T, U		74				BUMPER, Jounce
2	06509772AA	4	J, T, U		74				BOLT AND RETAINER
3	06502835	4	J, T, U		74				NUT, Hex Flange Lock, M12x1.75
4									ARM, Upper Control, Front
	68046195AE	1	J, T, U		74				Left
	68046196AE	1	J, T, U		74				Right
5	06104266AA	2	J, T, U		74				BOLT, Hex Flange Head, M14X1.50X100.00
6	06505623AA	2	J, T, U		74				NUT, Hex Lock, M14x1.50
7									KNUCKLE, Front
	68022628AD	1	J, T, U		74	ER0, EX0, EZ0			Right
	68022629AD	1	J, T, U		74	ER0, EX0, EZ0			Left
8	06104719AA	2	J, T, U		74				NUT, Hex Flange Lock, M14x1.50
9	06104257AA	4	J, T, U		74				BOLT, Hex Flange Head, M14x1.50x40.00
10	06505623AA	2	J, T, U		74				NUT, Hex Lock, M14x1.50
11	68069648AB	1	J, T, U		74	ER0, EX0, EZ0			BALL JOINT KIT, Lower Control Arm
12	06509914AA	2	J, T, U		74				NUT, Hex Flange Lock, M14x1.50
13									ARM, Lower Control, Front
	05168158AA	1	T		74	ERB			Right
	05168159AA	1	T		74	ERB			Left
	68022601AD	1	J, U		74	ERB, EXF, EZH			Left
		1	T		74	EZH			Left
	68022600AD	1	J, U		74	ERB, EXF, EZH			Right
		1	T		74	EZH			Right
14		1							BOLT, Hex Flange Head, M16x2.00x135.00, (NOT SERVICED)
15		1							NUT AND RETAINER, Hex Flange Locking, M16x2.00x70.00, (NOT SERVICED)
16		1							CLEVIS, Front, (NOT SERVICED)
17		1							ISOLATOR, Spring, Lower, (NOT SERVICED)
18									SPRING, Front Coil
	68029616AE	1	J, T, U		74				[ZAB], Left

GRAND CHEROKEE (WK)

SERIES LINE
H = HIGHLINE T = JEEP - 2WD
P = PREMIUM J = JEEP - 4WD
S = SPORT U = JEEP - 4WD (RHD)

BODY
74 = SPORT UTILITY 4-DR TYPE #4

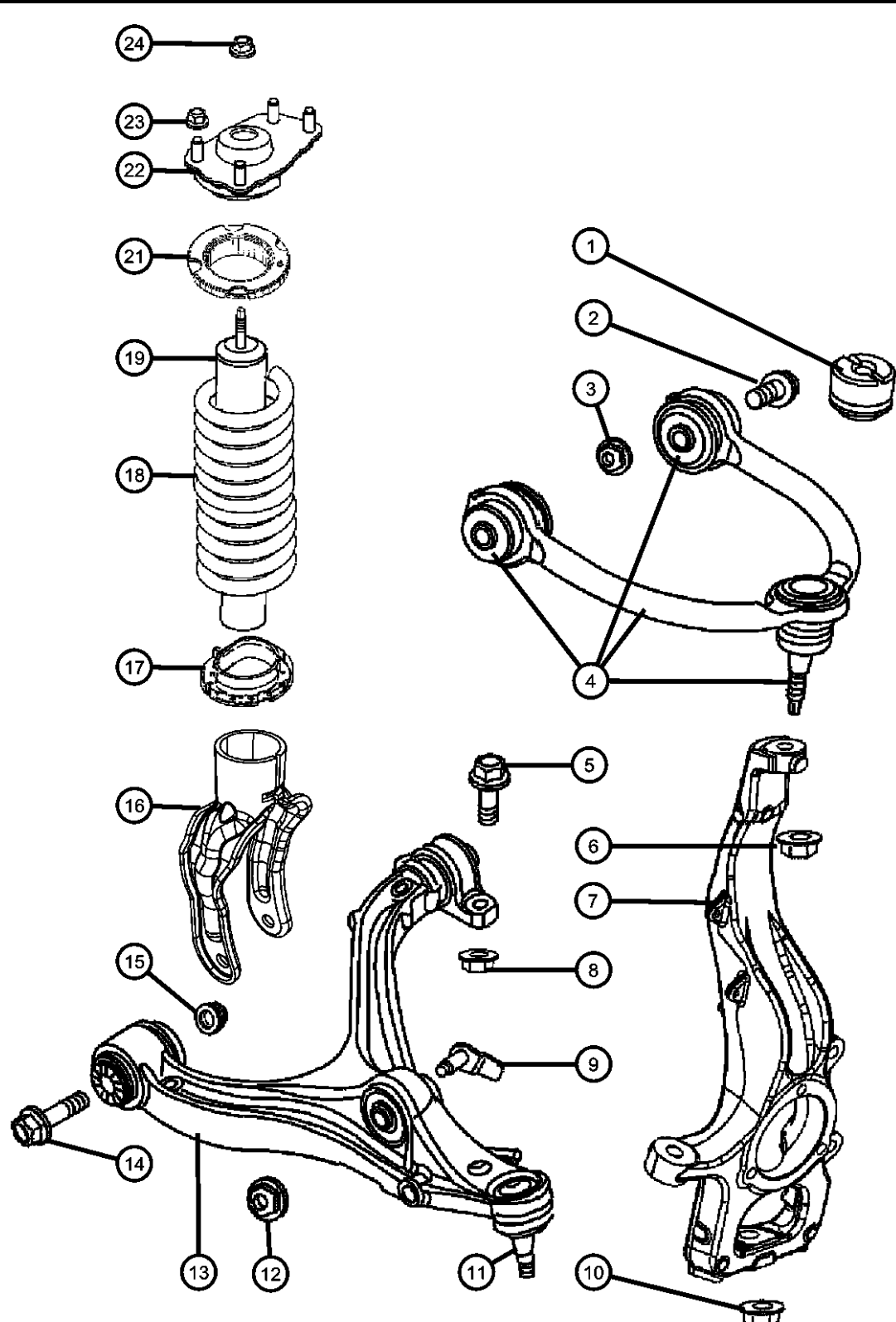
ENGINE
ERB = 3.0L V6 Engine
EZH = 5.7L V8 HEMI MDS VVT Engine
EXF = 3.0L V6 Turbo Diesel Engine

TRANSMISSION
DGQ = 5-Speed Automatic 545RFE Transmission
DGJ = 5-Speed Auto W5A580 Transmission

AR = use ase required - = Non illustrated part

2011 WK

Suspension, Front
Figure 2-110



ITEM	PART NUMBER	QTY	LINE	SERIES	BODY	ENGINE	TRANS	TRIM	DESCRIPTION
									[ZNB], Right
	68029617AE	1	J, T, U		74				[ZAC], Left
	68029618AE	1	J, T, U		74				[ZNC], Right
	68029619AE	1	J, T, U		74				[ZAD], Left
	68029620AE	1	J, T, U		74				[ZNE], Right
	68029621AE	1	J, T, U		74				[ZAF], Left
	68029622AE	1	J, T, U		74				[ZNF], Right
	68029623AE	1	J, T, U		74				[ZAG], Left
	68029624AE	1	J, T, U		74				[ZNG], Right
	68029625AE	1	J, T, U		74				[ZAH], Left
	68029626AE	1	J, T, U		74				[ZNH], Right
	68029627AE	1	J, T, U		74				[ZAJ], Left
	68029628AE	1	J, T, U		74				[ZNJ], Right
	68029629AE	1	J, T, U		74				[ZAK], Left
	68029630AE	1	J, T, U		74				[ZNK], Right
	68029633AE	1	J, T, U		74				[ZAL], Left
	68029634AE	1	J, T, U		74				[ZNL], Right
	68029635AE	1	J, T, U		74				[ZAM], Left
									[ZNM], Right
									[ZAN], Left
									[ZNN], Right
									[ZAP], Left
									[ZNP], Right
									[ZPA], Left
									[ZBA], Right
									[ZPB], Left
									[ZBB], Right
									[ZBE], Right
									[ZPF], Left
									[ZBF], Right
									[ZPE], Left
									[ZBG], Right

GRAND CHEROKEE (WK)

SERIES LINE
H = HIGHLINE T = JEEP - 2WD
P = PREMIUM J = JEEP - 4WD
S = SPORT U = JEEP - 4WD (RHD)

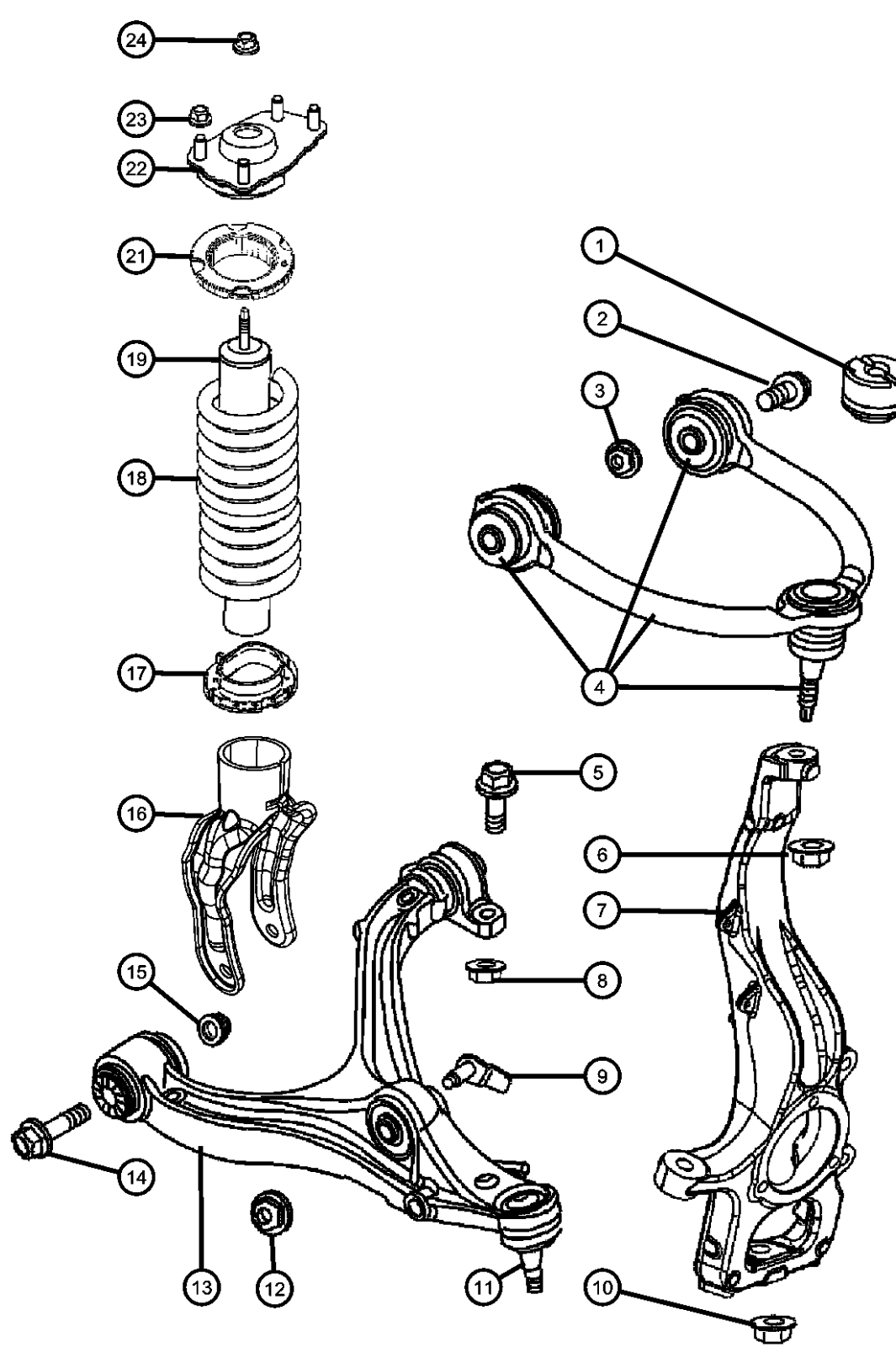
BODY
74 = SPORT UTILITY 4-DR TYPE #4

ENGINE
ERB = 3.XL Mid V6 Engine
EZH = 5.7L V8 HEMI MDS VVT Engine
EXF = 3.0L V6 Turbo Diesel Engine

TRANSMISSION
DGQ = 5-Speed Automatic 545RFE Transmission
DGJ = 5-Speed Auto W5A580 Transmission

AR = use ase required - = Non illustrated part

Suspension, Front
Figure 2-110



ITEM	PART NUMBER	QTY	LINE	SERIES	BODY	ENGINE	TRANS	TRIM	DESCRIPTION
									[ZPG], Left
	68029631AE	1	J, T, U		74				[ZPC], Left
		1	J, T, U		74				[ZBC], Right
	68029632AE	1	J, T, U		74				[ZPD], Left
		1	J, T, U		74				[ZBD], Right
19									SHOCK ABSORBER KIT, Suspension, Front
	68069661AB	2	J, T, U		74				[SDA] Without [SER] And/Or [SES]
	68069662AB	2	J, T, U		74				[SDM] Without [SER] And/Or [SES]
	68084456AA	2	J, T, U		74				[SDM], [SES]
	68084457AA	2	J, T, U		74				[SDE] Without [SER] And/Or [SES]
	68084449AA	2	J, T, U		74				[SDA], [SES]
	68084458AA	2	J, T, U		74				[SDE], [SES]
-20	68029522AC	2	J, T, U		74				SHIELD, Shock Absorber Dust
21	68029646AB	2	J, T, U		74				ISOLATOR, Spring, Upper
22	68029520AC	2	J, T, U		74				MOUNT, Shock Upper
23	06502835	4	J, T, U		74				NUT, Hex Flange Lock, M12x1.75
24	06502835	4	J, T, U		74				NUT, Hex Flange Lock, M12x1.75

GRAND CHEROKEE (WK)

SERIES LINE
H = HIGHLINE T = JEEP - 2WD
P = PREMIUM J = JEEP - 4WD
S = SPORT U = JEEP - 4WD (RHD)

BODY
74 = SPORT UTILITY 4-DR
TYPE #4

ENGINE
ERB = 3.0L Mid V6 Engine
EZH = 5.7L V8 HEMI MDS
VVT Engine
EXF = 3.0L V6 Turbo Diesel
Engine

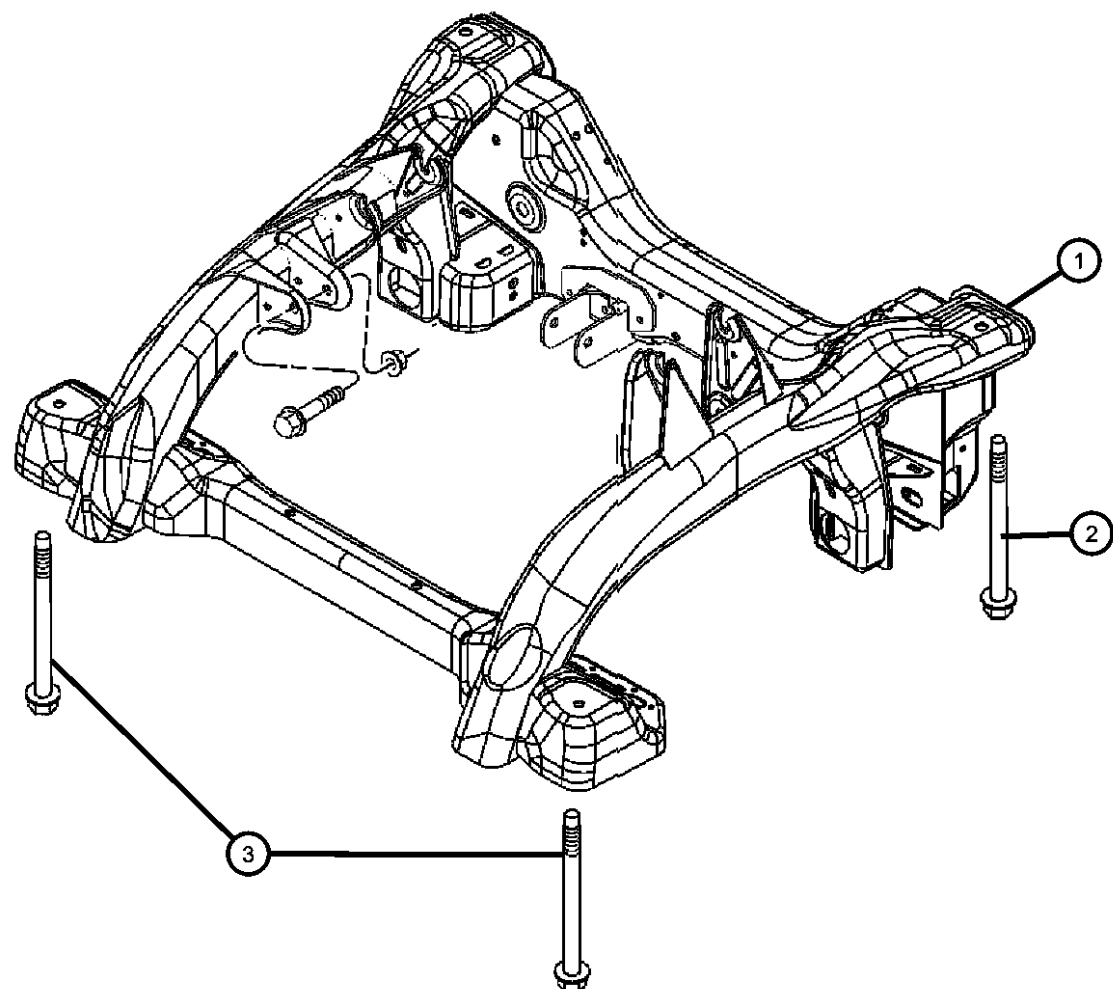
TRANSMISSION
DGQ = 5-Spd Automatic 545RFE
Transmission
DGJ = 5-Speed Auto W5A580
Transmission

AR = use ase required - = Non illustrated part

2011 WK

**Cradle,Front Suspension
Figure 2-120**

ITEM	PART NUMBER	QTY	LINE	SERIES	BODY	ENGINE	TRANS	TRIM	DESCRIPTION
1	52124634AG	1	J, T, U		74	ER0, EX0			CRADLE, Front Suspension [ER0] Or [EX0]
	52124860AG	1	J, T, U		74	EZ0			[EZ0]
2	06509240AA	4	J, T, U		74				BOLT AND WASHER, Hex Head, M14X1.50X147.00
3	06509240AA	4	J, T, U		74				BOLT AND WASHER, Hex Head, M14X1.50X147.00
-4	52124643AB	1	J, T, U		74				BRACKET, Crossmember Left
	52124642AB	1	J, T, U		74				Right
-5	06104384AA	6	J, T, U		74				BOLT AND WASHER, Hex Head, M8x1.25x20, Cradle Bracket to Body
-6	52124754AC	2	J, T, U		74				ISOLATOR, Cradle Front, Front Upper
	52124861AB	2	J, T, U		74				Front, Upper
-7	05180886AA	2	J, T, U		74				CAP, Bolt Cover, Bushing



GRAND CHEROKEE (WK)

SERIES LINE
H = HIGHLINE T = JEEP - 2WD
P = PREMIUM J = JEEP - 4WD
S = SPORT U = JEEP - 4WD (RHD)

BODY
74 = SPORT UTILITY 4-DR
TYPE #4

ENGINE
ERB = 3.XL Mid V6 Engine
EZH = 5.7L V8 HEMI MDS
VVT Engine
EXF = 3.0L V6 Turbo Diesel
Engine

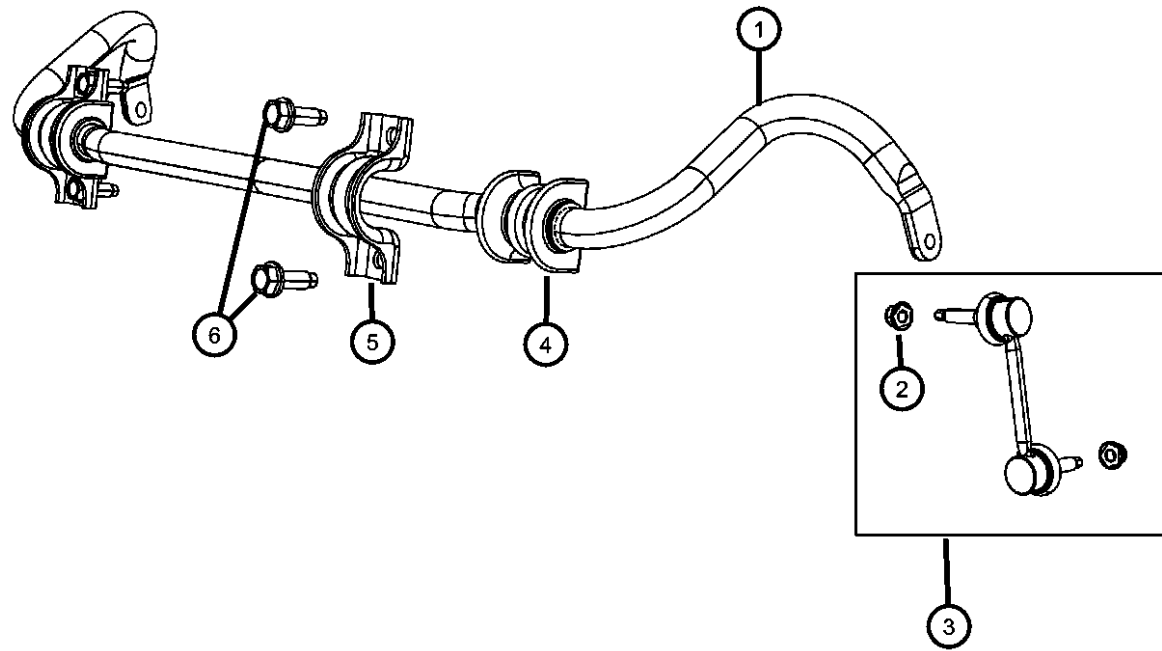
TRANSMISSION
DGQ = 5-Spd Automatic 545RFE
Transmission
DGJ = 5-Speed Auto W5A580
Transmission

AR = use ase required - = Non illustrated part

2011 WK

**Stabilizer Bar,Front
Figure 2-210**

ITEM	PART NUMBER	QTY	LINE	SERIES	BODY	ENGINE	TRANS	TRIM	DESCRIPTION
1	52124887AD	1	J, T, U		74				STABILIZER BAR, Front, Items #4 and #5 Are Part Of This Component
2	06104718AA	2	J, T, U		74				NUT, Hex Flange Lock, M12X1.50
3									LINK KIT, Stabilizer Bar
	68069654AB	1	J, T, U		74				Includes Link and Nuts, Right
	68069655AB	1	J, T, U		74				Includes Link and Nuts, Left
4		1							BUSHING, Stabilizer Bar, Included with Item #1, (NOT SERVICED),
5		1							RETAINER, Stabilizer Bar Bushing, Included with Item #1, (NOT SERVICED)
6	06508668AA	6	J, T, U		74				BOLT AND WASHER, Hex Head, M14x2.00x45.00



GRAND CHEROKEE (WK)

SERIES LINE
H = HIGHLINE T = JEEP - 2WD
P = PREMIUM J = JEEP - 4WD
S = SPORT U = JEEP - 4WD (RHD)

BODY
74 = SPORT UTILITY 4-DR
TYPE #4

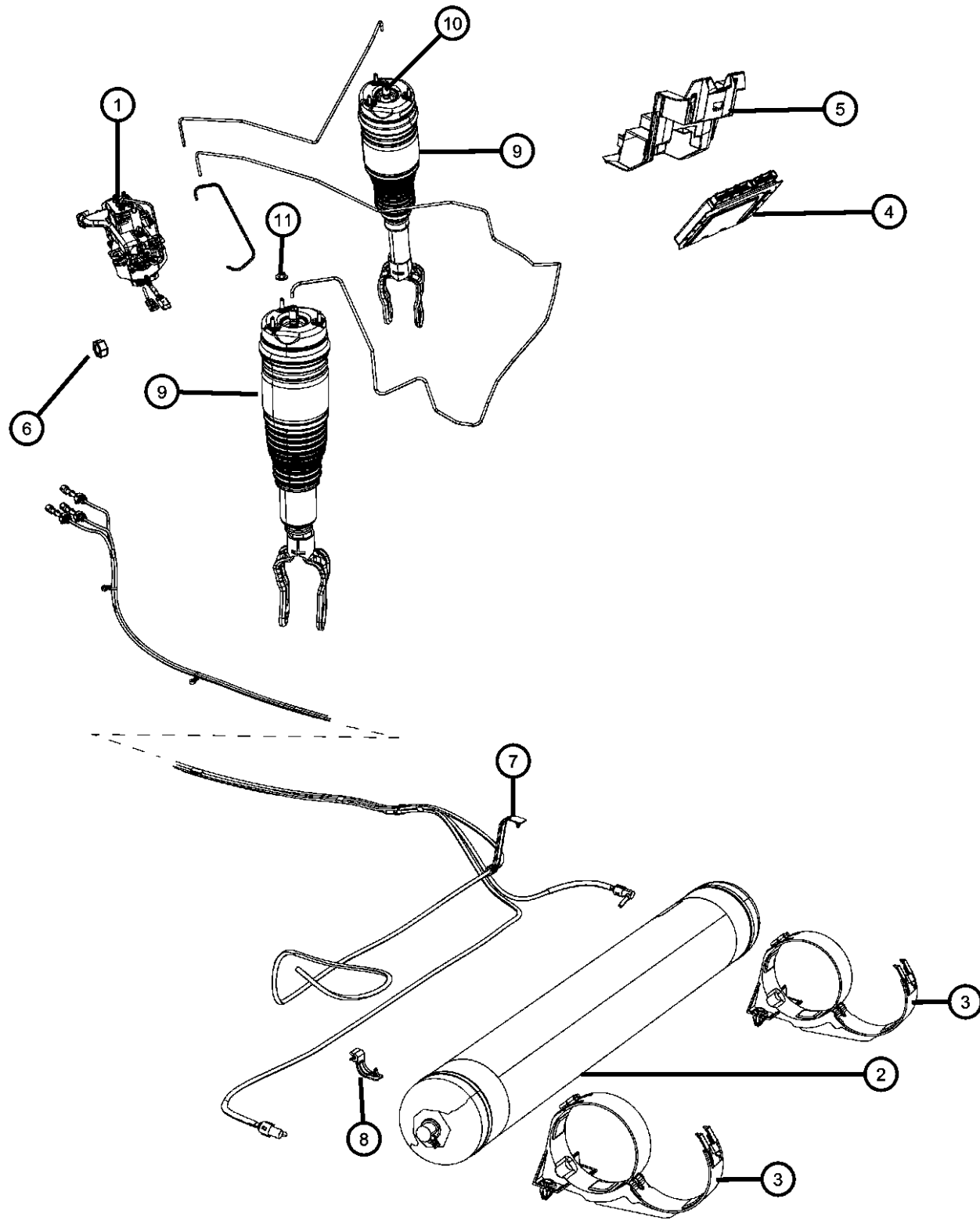
ENGINE
ERB = 3.0L Mid V6 Engine
EZH = 5.7L V8 HEMI MDS
VVT Engine
EXF = 3.0L V6 Turbo Diesel
Engine

TRANSMISSION
DGQ = 5-Spd Automatic 545RFE
Transmission
DGJ = 5-Speed Auto W5A580
Transmission

AR = use ase required - = Non illustrated part

2011 WK

**Quadra-Lift (TM) Air Suspension
Figure 2-310**



ITEM	PART NUMBER	QTY	LINE	SERIES	BODY	ENGINE	TRANS	TRIM	DESCRIPTION
1	68041137AE	1	J, T, U		74				COMPRESSOR ASSEMBLY, Air Suspension
2	68064343AC	1	J, T, U		74				RESERVOIR, Air Suspension
3	52124927AC	2	J, T, U		74				BRACKET, Air Suspension
4	56029558AD	1	J, T, U		74				MODULE, Air Suspension
5									BRACKET, Module
	05057649AA	1	T		74				
		1	J, U		74				
6									NUT, Hex Flange Lock, M8X1.25
	06104716AB	1	J, T, U		74				Compressor Bracket to Rail
		2	J, T, U		74				Bracket
									Compressor Bracket to Bumper
7	68069400AA	2	J, T		74				CLIP, Single Tube
8	68069405AA	3	J, T, U		74				CLIP, Single Tube
9									SPRING AND SHOCK ASSEMBLY, Air Suspension
	68059905AC	1	J, T, U		74				[SDM],[ZKA], Left
	68029902AC	1	J, T, U		74				Normal Duty Suspension, Right
	68029903AC	1	J, T, U		74				Normal Duty Suspension, Left
	68059904AB	1	J, T, U		74				Export Tuned Suspension, Right
	68059904AC	1	J, T, U		74				[SDM],[ZYA], Right
	68059905AB	1	J, T, U		74				Export Tuned Suspension, Left
10									NUT, Hex Flange Lock, M12x1.25
	06506276AA	1	J, T, U		74				Normal Duty Suspension, Right
		1	J, T, U		74				Normal Duty Suspension, Left
		1	J, T, U		74				Export Tuned Suspension, Right
		1	J, T, U		74				Export Tuned Suspension, Left
11	06101831	6	J, T, U		74				NUT, Hex Flange, M8x1.25, Front Shock Absorber to Shock Tower

GRAND CHEROKEE (WK)

SERIES LINE
H = HIGHLINE T = JEEP - 2WD
P = PREMIUM J = JEEP - 4WD
S = SPORT U = JEEP - 4WD (RHD)

BODY
74 = SPORT UTILITY 4-DR
TYPE #4

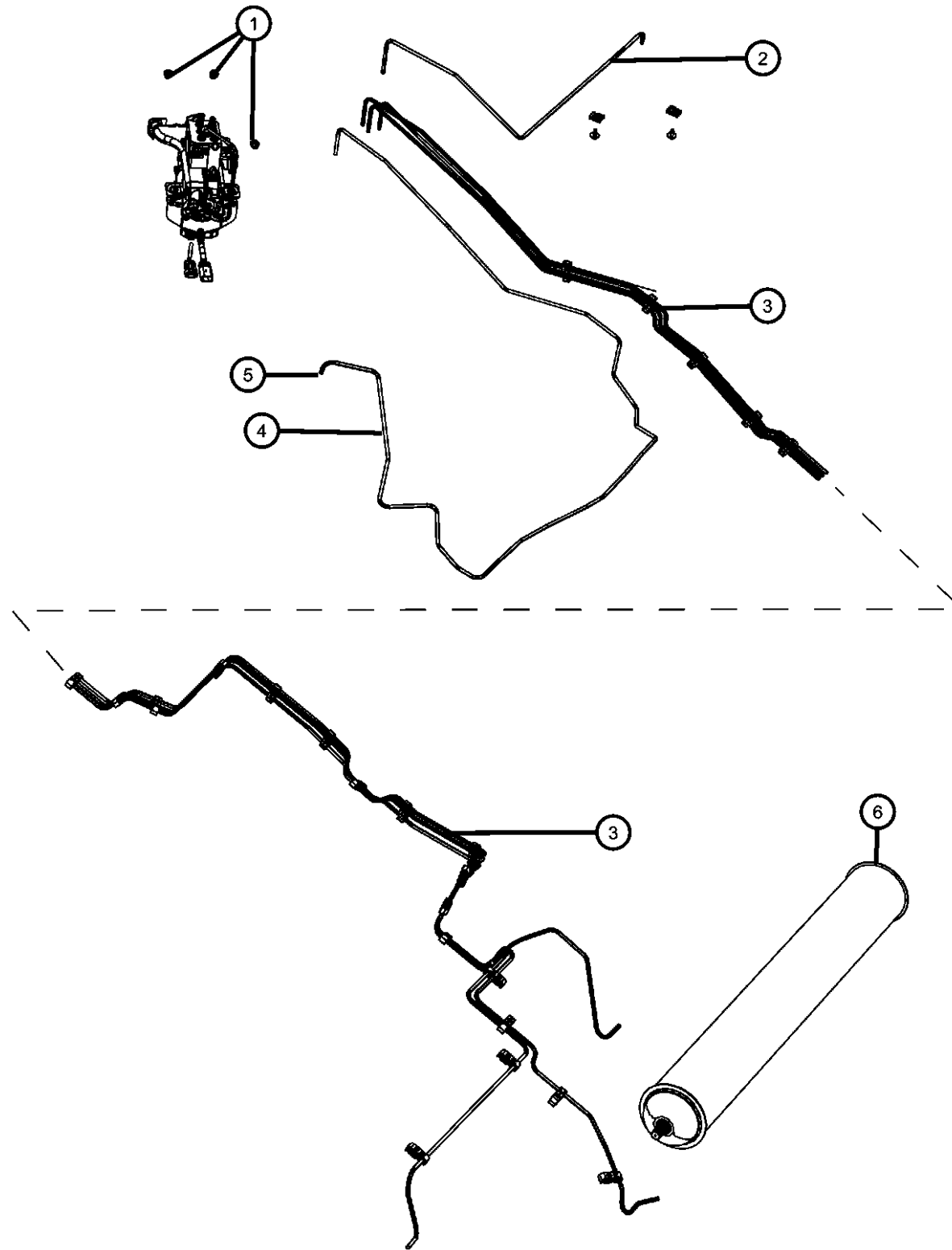
ENGINE
ERB = 3.0L Mid V6 Engine
EZH = 5.7L V8 HEMI MDS
VVT Engine
EXF = 3.0L V6 Turbo Diesel
Engine

TRANSMISSION
DGQ = 5-Spd Automatic 545RFE
Transmission
DGJ = 5-Speed Auto W5A580
Transmission

AR = use ase required - = Non illustrated part

2011 WK

**Air Supply Lines
Figure 2-320**



ITEM	PART NUMBER	QTY	LINE	SERIES	BODY	ENGINE	TRANS	TRIM	DESCRIPTION
1	06104716AB	2	J, T, U		74				NUT, Hex Flange Lock, M8X1.25 Compressor Bracket To Bumper
		1	J, T, U		74				Compressor Bracket To Rail Bracket
2	52124932AC	1	J, T		74	ERB			AIR LINE ASSEMBLY [ERB], [SER], Right Front
		1	J, T		74	EZ0			[EZ0], Right Front
		1	J, T		74	ERB			[SER], Right Front
		1	J, T		74	EZ0			[NMC], [SER], Right Front
		1	J, T		74	EZ0			[EZ0], [NMC], [SER], Right Front
		1	J, T		74	EZ0			[EZ0], [SER], Right Front
3	52124941AD	1	U		74				AIR LINE ASSEMBLY Rear Air Line Bundle, Right Hand Drive
		1	J, T		74				Rear Air Line Bundle, Left Hand Drive
4	52124933AC	1	U		74	ERB			AIR LINE ASSEMBLY [SER], Left Front
		1	U		74	EZ0			[EZ0], [SER], Left Front
		1	U		74	EZ0			[NMC], [SER], Left Front
		1	U		74	ERB			[SER], Export
		1	U		74	EZ0			[EZ0], [SER], Export
		1	U		74	EZ0			[NMC], [SER], Export
5	68084816AA	AR	J, T		74				UNION, Air Tube, Used For Damaged Air Line Repair
6	68064343AC	1	J, T, U		74				RESERVOIR, Air Suspension

GRAND CHEROKEE (WK)

SERIES LINE
H = HIGHLINE T = JEEP - 2WD
P = PREMIUM J = JEEP - 4WD
S = SPORT U = JEEP - 4WD (RHD)

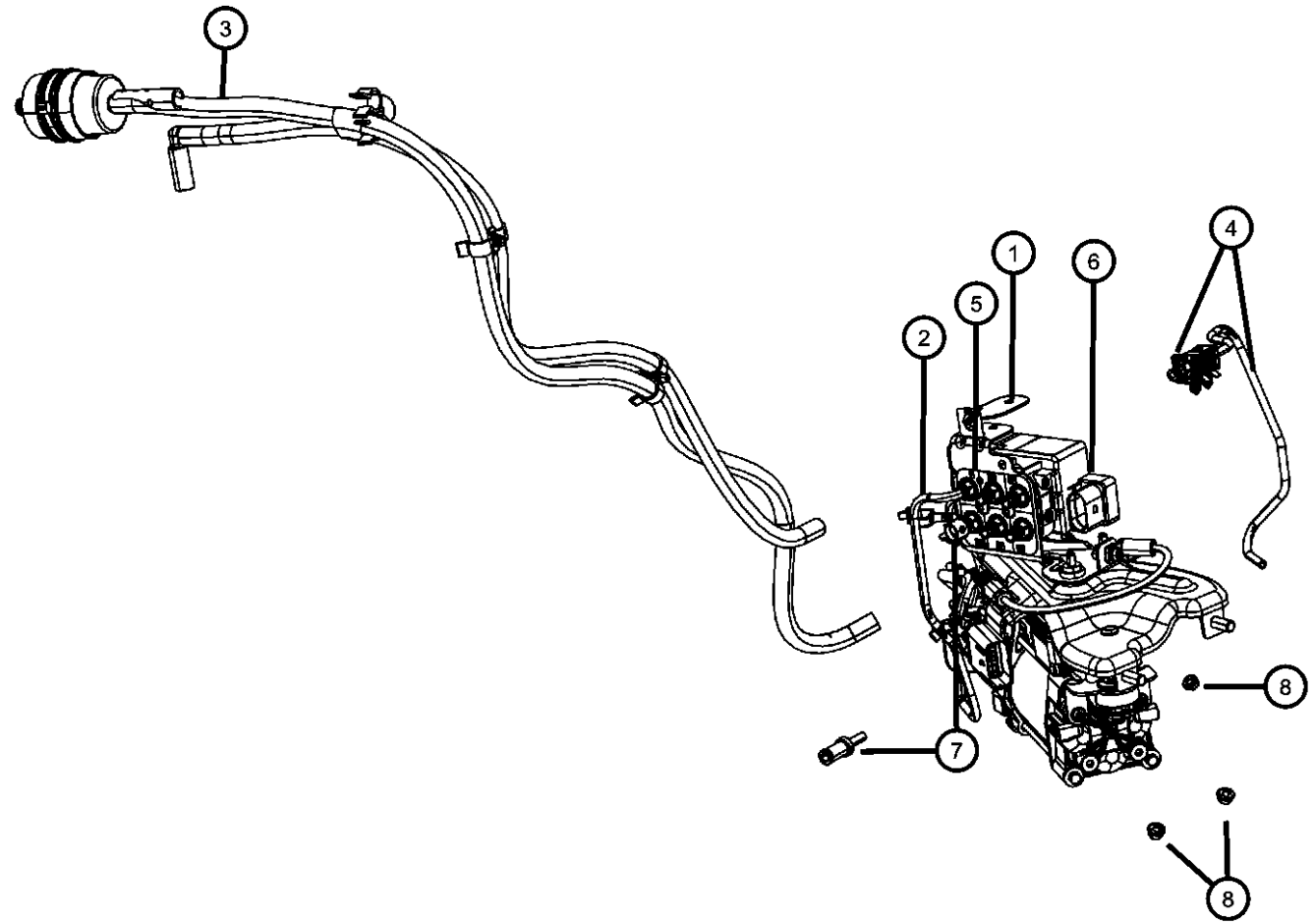
BODY
74 = SPORT UTILITY 4-DR
TYPE #4

ENGINE
ERB = 3.0L Mid V6 Engine
EZH = 5.7L V8 HEMI MDS
VVT Engine
EXF = 3.0L V6 Turbo Diesel
Engine

TRANSMISSION
DGQ = 5-Spd Automatic 545RFE
Transmission
DGJ = 5-Speed Auto W5A580
Transmission

AR = use ase required - = Non illustrated part

**Compressor Assembly
Figure 2-330**



ITEM	PART NUMBER	QTY	LINE	SERIES	BODY	ENGINE	TRANS	TRIM	DESCRIPTION
1	68041137AE	1	J, T, U		74				COMPRESSOR ASSEMBLY, Air Suspension
2	68087229AA	1	J, T, U		74				AIR LINE, Compressor
3	68087232AA	1	J, T, U		74				SUCTION HOSE ASSEMBLY
4	68087231AA	1	J, T, U		74				HOSE ADAPTER ASSEMBLY
5	68087233AA	1	J, T, U		74				VALVE BLOCK, Compressor
6	68087240AA	1	J, T, U		74				TEMPERATURE SENSOR, Compressor
7	68087241AA	1	J, T, U		74				EXHAUST HOSE ADAPTER
8									NUT, Hex Flange Lock, M8X1.25
	06104716AB	2	J, T, U		74				Compressor Bracket to Bumper
		1	J, T, U		74				Compressor Bracket to Rail Bracket

GRAND CHEROKEE (WK)

SERIES LINE
H = HIGHLINE T = JEEP - 2WD
P = PREMIUM J = JEEP - 4WD
S = SPORT U = JEEP - 4WD (RHD)

BODY
74 = SPORT UTILITY 4-DR TYPE #4

ENGINE
ERB = 3.XL Mid V6 Engine
EZH = 5.7L V8 HEMI MDS VVT Engine
EXF = 3.0L V6 Turbo Diesel Engine

TRANSMISSION
DGQ = 5-Spd Automatic 545RFE Transmission
DGJ = 5-Speed Auto W5A580 Transmission

AR = use ase required - = Non illustrated part

Group - 003DJC

Front Axle;195 MM; Differential and Drive Line

Group - 003DJC Front Axle;195 MM; Differential and Drive Line

Illustration Title

Group-Fig. No.

Front Axle; Housing, Differential and Vent

Axle Assembly & Components Fig. 003DJC - 205

Front Axle Drive Shafts

Shafts, Axle Fig. 003DJC - 305

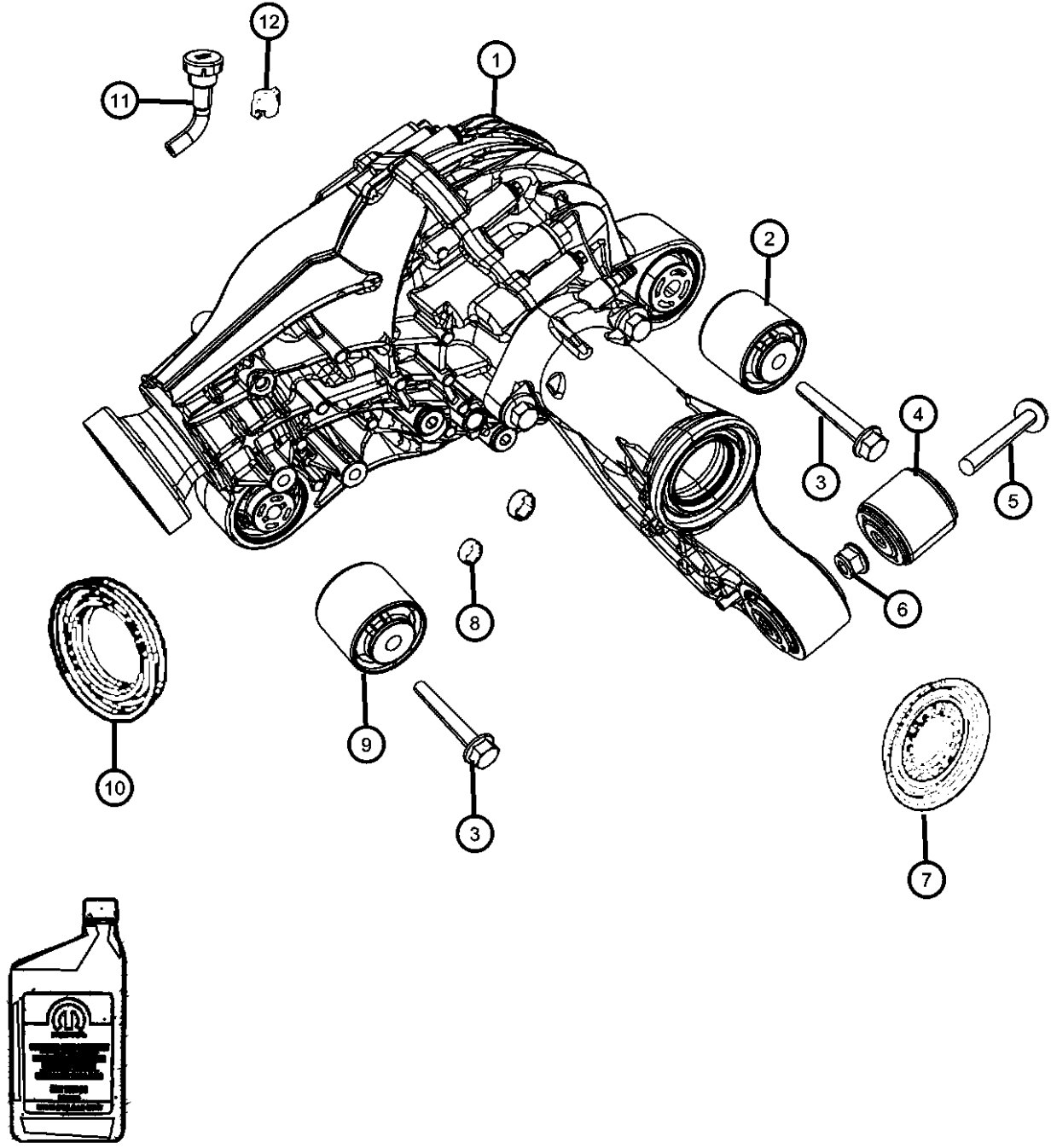
Drive Shaft

Shaft, Drive, Front Fig. 003DJC - 605

003DJC-200 Front Axle; Housing, Differential and Vent	003DJC-300 Front Axle Drive Shafts	003DJC-600 Drive Shaft	
--	--	----------------------------------	--

Axle Assembly & Components
Figure 003DJC-205

ITEM	PART NUMBER	QTY	LINE	SERIES	BODY	ENGINE	TRANS	TRIM	DESCRIPTION
1									DIFFERENTIAL, Front Axle
	68060206AA	1	J, U		74				[DPM] Electronically Controlled Axle
	68060207AA	1	J, U		74				[DLK] Electronically Controlled Axle
	68059997AB	1	J, U		74				[DMP]
	68059998AB	1	J, U		74				[DLK]
2	04578845AB	1	J, U		74				ISOLATOR, Axle Mounting
3	06104244AA	2	J, U		74				BOLT, Hex Flange Head, M12x1.50x90.00, Front Differential Mount to Differential, Mounting
4	52124994AB	1	J, U		74				ISOLATOR, Axle Mounting
5	06101553	1	J, U		74				BOLT AND WASHER, Hex Head, M10x1.50x80, Front Differential Mount to Differential, Mounting
6	06104717AA	1	J, U		74				NUT, Hex Flange Lock, M10x1.50, Front Differential Mount to Differential, Mounting
7									SEAL, Output
	68084184AA	2	J, U		74				Electronically Controlled Axle, Right
		1	J, U		74				Electronically Controlled Axle, Left
	68084185AA	1	J, U		74				Electronically Controlled Axle, Left
8	68084187AA	2	J, U		74				PLUG, Fill, Fill & Drain
9	52124632AB	1	J, U		74				ISOLATOR, Axle Mounting
10	68084183AA	1	J, U		74				SEAL, Drive Pinion
11	68065936AB	1	J, U		74				HOSE, Axle Vent
12	68084188AA	1	J, U		74				VENT, Axle



GRAND CHEROKEE (WK)

SERIES LINE
H = HIGHLINE T = JEEP - 2WD
P = PREMIUM J = JEEP - 4WD
S = SPORT U = JEEP - 4WD (RHD)

BODY
74 = SPORT UTILITY 4-DR
TYPE #4

ENGINE
ERB = 3.XL Mid V6 Engine
EZH = 5.7L V8 HEMI MDS
VVT Engine
EXF = 3.0L V6 Turbo Diesel
Engine

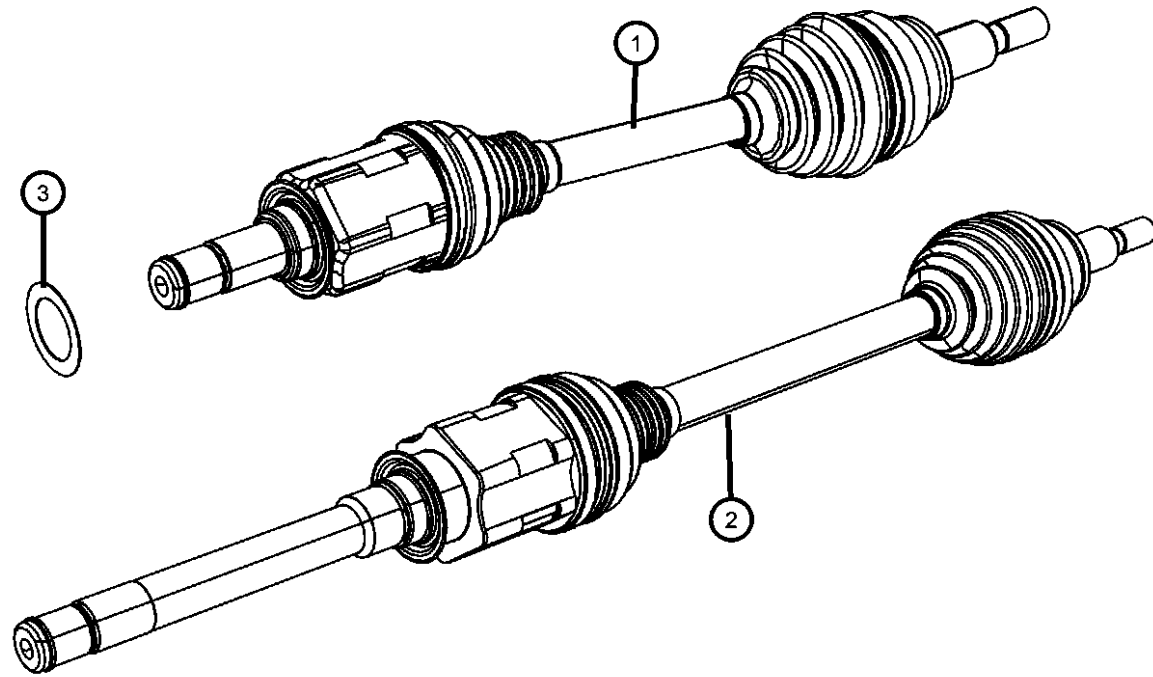
TRANSMISSION
DGQ = 5-Spd Automatic 545RFE
Transmission
DGJ = 5-Speed Auto W5A580
Transmission

AR = use ase required - = Non illustrated part

2011 WK

Shafts, Axle
Figure 003DJC-305

ITEM	PART NUMBER	QTY	LINE	SERIES	BODY	ENGINE	TRANS	TRIM	DESCRIPTION
1	52124713AB	1	J, U		74				SHAFT, Axle Half [DKA], Left
	04578885AB	1	J, U		74				[DHY], Left
2	04578884AB	1	J, U		74				SHAFT, Axle Half [DHY], Right
	52124712AB	1	J, U		74				[DKA], Right
3	04809863AC	1	J, U		74				GASKET, Front halfshaft/hub



GRAND CHEROKEE (WK)

SERIES LINE
H = HIGHLINE T = JEEP - 2WD
P = PREMIUM J = JEEP - 4WD
S = SPORT U = JEEP - 4WD (RHD)

BODY
74 = SPORT UTILITY 4-DR
TYPE #4

ENGINE
ERB = 3.XL Mid V6 Engine
EZH = 5.7L V8 HEMI MDS
VVT Engine
EXF = 3.0L V6 Turbo Diesel
Engine

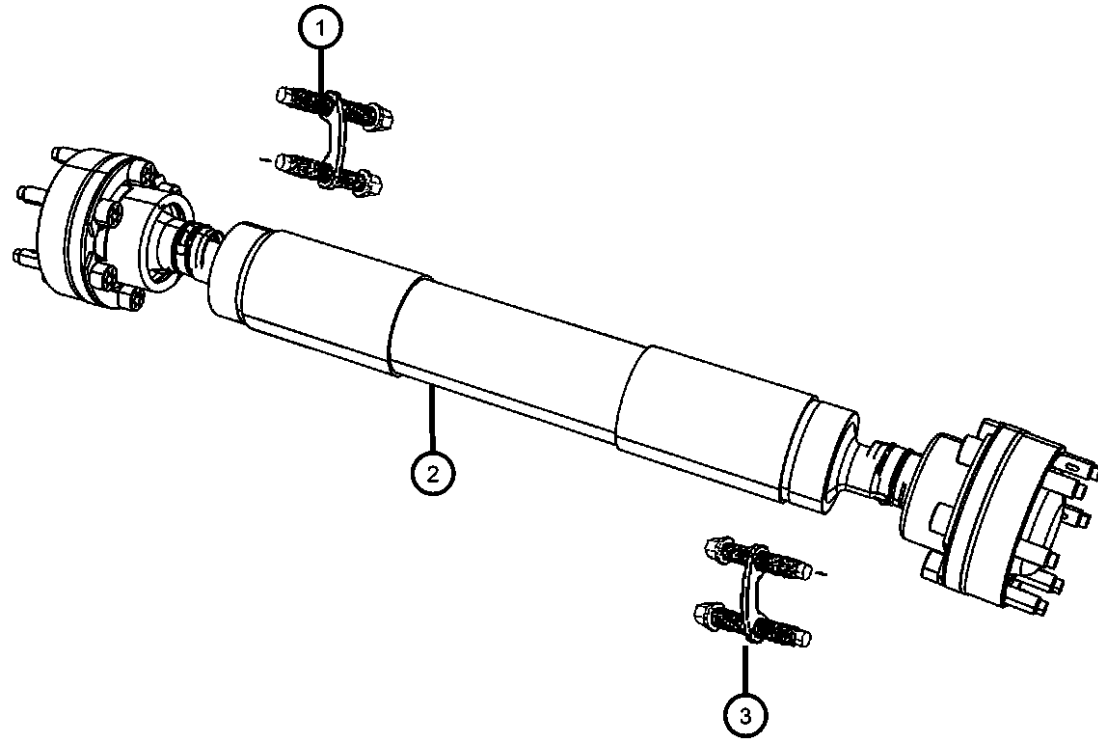
TRANSMISSION
DGQ = 5-Spd Automatic 545RFE
Transmission
DGJ = 5-Speed Auto W5A580
Transmission

AR = use ase required - = Non illustrated part

2011 WK

Shaft, Drive, Front
Figure 003DJC-605

ITEM	PART NUMBER	QTY	LINE	SERIES	BODY	ENGINE	TRANS	TRIM	DESCRIPTION
1	68087448AA	3	J, U		74				BOLT AND WASHER, Front Driveshaft to Front Axle, Mounting SHAFT, Drive, Front [DKA] [DHY] [EXF]
2	52853641AB	1	J, U		74				
	52853642AB	1	J, U		74				
	52123467AC	1	J, U		74				
3	68087448AA	3	J, U		74				BOLT AND WASHER, Front Driveshaft to Transfer Case, Mounting



GRAND CHEROKEE (WK)

SERIES LINE
H = HIGHLINE T = JEEP - 2WD
P = PREMIUM J = JEEP - 4WD
S = SPORT U = JEEP - 4WD (RHD)

BODY
74 = SPORT UTILITY 4-DR
TYPE #4

ENGINE
ERB = 3.0L Mid V6 Engine
EZH = 5.7L V8 HEMI MDS
VVT Engine
EXF = 3.0L V6 Turbo Diesel
Engine

TRANSMISSION
DGQ = 5-Spd Automatic 545RFE
Transmission
DGJ = 5-Speed Auto W5A580
Transmission

AR = use ase required - = Non illustrated part

2011 WK

Group - 003DPP

Rear Axle; 215 MM; Differential and Drive Line

Group - 003DPP Rear Axle; 215 MM; Differential and Drive Line

Illustration Title

Group-Fig. No.

Drive Shaft

Shaft, Drive, Rear, 2-Piece Fig. 003DPP - 605

Rear Axle Assembly

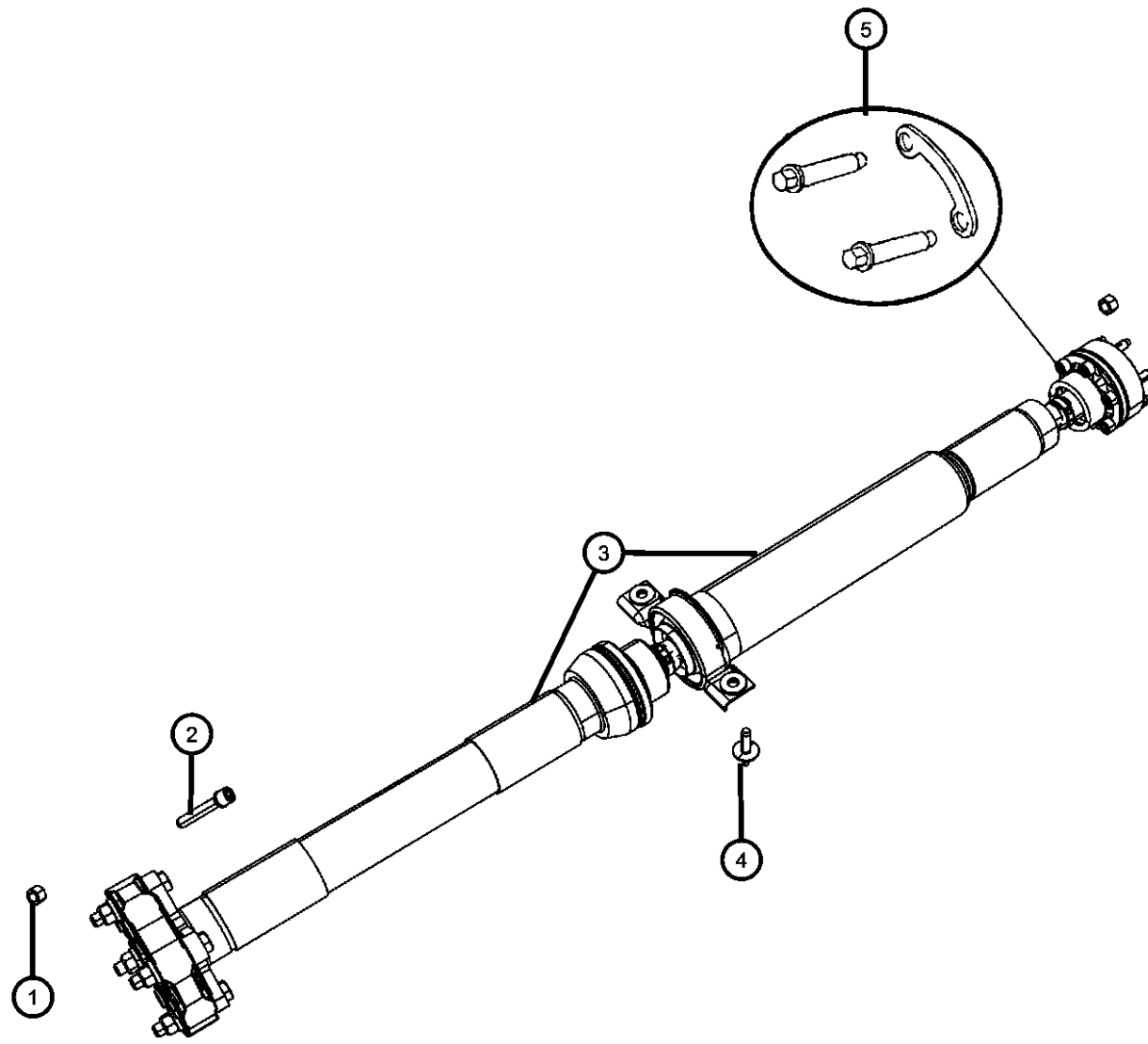
Axle Assembly & Components Fig. 003DPP - 705

Rear Axle Shafts

Shafts, Rear Axle Fig. 003DPP - 905

003DPP-600 Drive Shaft	003DPP-700 Rear Axle Assembly	003DPP-900 Rear Axle Shafts	
----------------------------------	---	---------------------------------------	--

Shaft, Drive, Rear, 2-Piece
Figure 003DPP-605



ITEM	PART NUMBER	QTY	LINE	SERIES	BODY	ENGINE	TRANS	TRIM	DESCRIPTION
1	06509330AA	3	J, T, U		74				NUT, Locking, Driveshaft to Rear Axle, Mounting
2	06509568AA	3	J, T, U		74				SCREW AND WASHER, Driveshaft to Rear Axle, Mounting
3									SHAFT, Drive, Rear 2-Piece
	52853645AB	1	T		74				[DHY]
	52853646AB	1	J, U		74				[DKA]
	52853647AB	1	J, U		74				
4	06509547AA	2	J, T, U		74				STUD AND WASHER, Two End, Center Bearing to Body, Mounting
5									BOLT AND WASHER
	68087449AA	3	T		74				Driveshaft to Transmission, Mounting
	68087448AA	3	J, U		74				[DHY] Driveshaft to Transfer Case, Mounting
		3	J, U		74				[DKA] Driveshaft to Transfer Case, Mounting

GRAND CHEROKEE (WK)

SERIES LINE
H = HIGHLINE T = JEEP - 2WD
P = PREMIUM J = JEEP - 4WD
S = SPORT U = JEEP - 4WD (RHD)

BODY
74 = SPORT UTILITY 4-DR TYPE #4

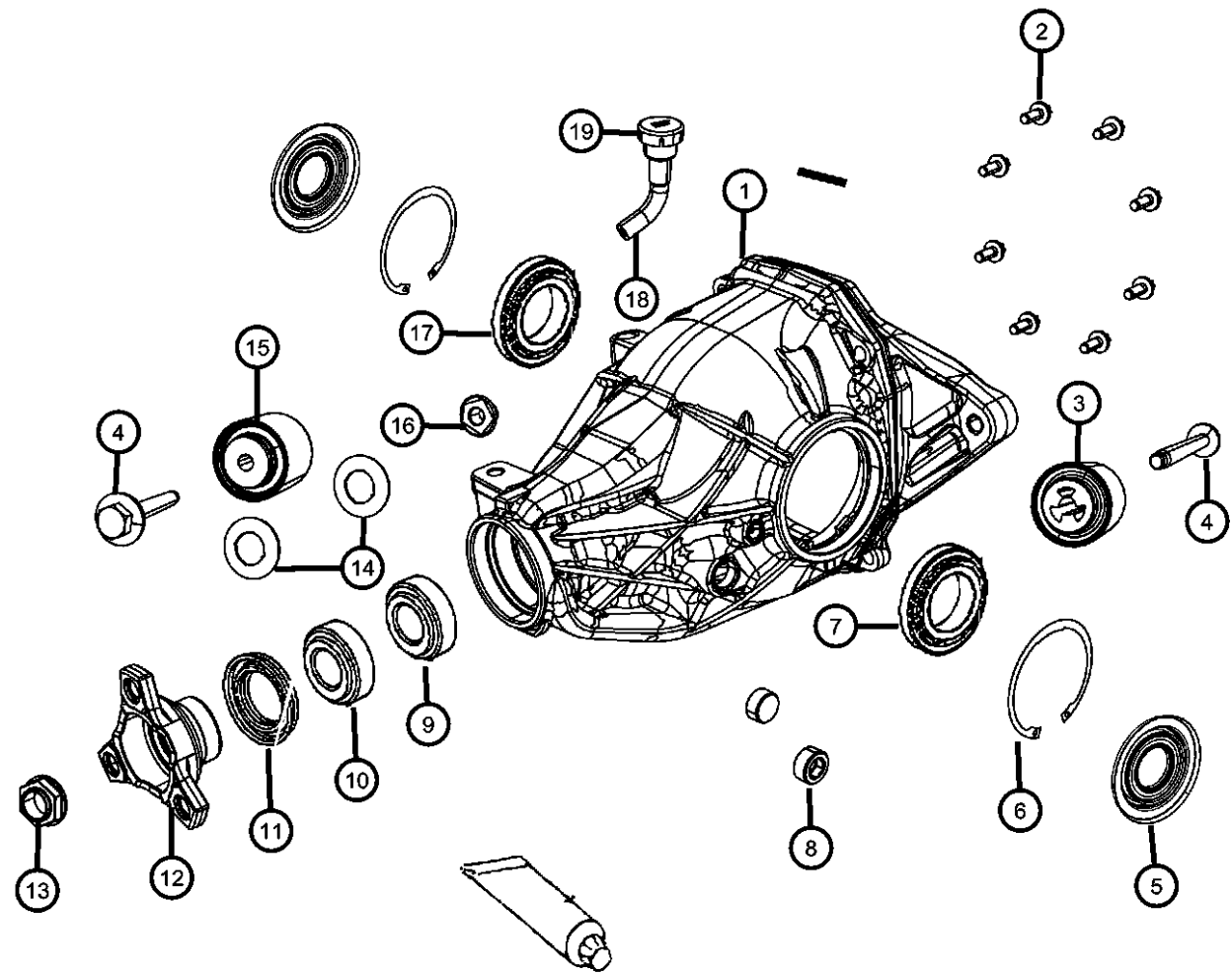
ENGINE
ERB = 3.XL Mid V6 Engine
EZH = 5.7L V8 HEMI MDS VVT Engine
EXF = 3.0L V6 Turbo Diesel Engine

TRANSMISSION
DGQ = 5-Spd Automatic 545RFE Transmission
DGJ = 5-Speed Auto W5A580 Transmission

AR = use ase required - = Non illustrated part

2011 WK

Axle Assembly & Components
Figure 003DPP-705



ITEM	PART NUMBER	QTY	LINE	SERIES	BODY	ENGINE	TRANS	TRIM	DESCRIPTION
1	68019089AB	1	J, T, U		74				DIFFERENTIAL, Rear Axle
2	06104215AA	8	J, T, U		74				BOLT, Hex Flange Head, M10x1.50x25.00, Differential Cover, Mounting
3	68088618AA	2	J, T, U		74				MOUNT, Differential
4	06104462AA	3	J, T, U		74				SCREW AND WASHER, Hex Head, M12X1.5X100.00, Rear Differential Mount to Differential, Mounting
5	68014931AA	2	J, T, U		74				SEAL, Axle Drive Shaft, Output
6									RETAINING RING/SHIM, Differential Bearing
	05139472AA	1	J, T, U		74				4.50mm
	05139454AA	1	J, T, U		74				3.70mm
	05139458AA	1	J, T, U		74				3.80mm
	05139460AA	1	J, T, U		74				3.90mm
	05139462AA	1	J, T, U		74				4.00mm
	05139465AA	1	J, T, U		74				4.10mm
	05139467AA	1	J, T, U		74				4.20mm
	05139453AA	1	J, T, U		74				3.60mm
	05139468AA	1	J, T, U		74				4.30mm
	05139469AA	1	J, T, U		74				4.40mm
7	04862633AA	1	J, T, U		74				BEARING, Differential Case
8	05097712AB	2	J, T, U		74				PLUG, Oil Drain, Drain & Fill 215 mm
9	04862630AA	1	J, T, U		74				BEARING, Drive Pinion
10	04862631AA	1	J, T, U		74				BEARING, Drive Pinion
11	04862634AA	1	J, T, U		74				SEAL, Input
12	68033811AA	1	J, T, U		74				FLANGE, Pinion
13	05174162AA	1	J, T, U		74				NUT, Pinion
14	04578871AA	2	J, T, U		74				MOUNT, Differential
15	68019885AA	1	J, T, U		74				MOUNT, Differential
16	06104718AA	1	J, T, U		74				NUT, Hex Flange Lock, M12X1.50, Rear Differential Mount to Differential, Mounting
17	04862632AA	1	J, T, U		74				BEARING, Differential Case
18	68078561AA	1	J, T, U		74				HOSE, Axle Vent
19	05170944AB	1	J, T, U		74				VENT, Axle
-20	05127703AA	10	J, T, U		74				BOLT, Ring Gear, Mounting



GRAND CHEROKEE (WK)

SERIES LINE
H = HIGHLINE T = JEEP - 2WD
P = PREMIUM J = JEEP - 4WD
S = SPORT U = JEEP - 4WD (RHD)

BODY
74 = SPORT UTILITY 4-DR
TYPE #4

ENGINE
ERB = 3.XL Mid V6 Engine
EZH = 5.7L V8 HEMI MDS
VVT Engine
EXF = 3.0L V6 Turbo Diesel
Engine

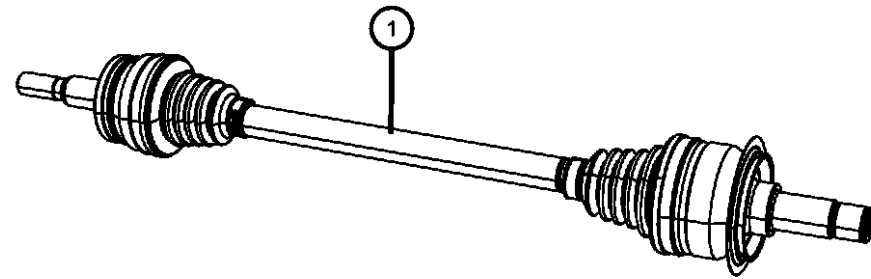
TRANSMISSION
DGQ = 5-Speed Automatic 545RFE
Transmission
DGJ = 5-Speed Auto W5A580
Transmission

AR = use ase required - = Non illustrated part

2011 WK

Shafts, Rear Axle
Figure 003DPP-905

ITEM	PART NUMBER	QTY	LINE	SERIES	BODY	ENGINE	TRANS	TRIM	DESCRIPTION
1									SHAFT, Axle Half
	04726920AA	1	J, U		74				[DHY], Left Or Right
	68035016AB	1	T		74				, Left Or Right
		1	J, U		74				[DKA], Left Or Right



GRAND CHEROKEE (WK)

SERIES LINE
H = HIGHLINE T = JEEP - 2WD
P = PREMIUM J = JEEP - 4WD
S = SPORT U = JEEP - 4WD (RHD)

BODY
74 = SPORT UTILITY 4-DR
TYPE #4

ENGINE
ERB = 3.XL Mid V6 Engine
EZH = 5.7L V8 HEMI MDS
VVT Engine
EXF = 3.0L V6 Turbo Diesel
Engine

TRANSMISSION
DGQ = 5-Spd Automatic 545RFE
Transmission
DGJ = 5-Speed Auto W5A580
Transmission

AR = use ase required - = Non illustrated part

2011 WK

Group - 003DPR

Rear Axle; 225 MM; Differential and Drive Line

Group - 003DPR Rear Axle; 225 MM; Differential and Drive Line

Illustration Title

Group-Fig. No.

Drive Shaft

Shaft, Drive, Rear, 2-Piece Fig. 003DPR - 605

Rear Axle Assembly

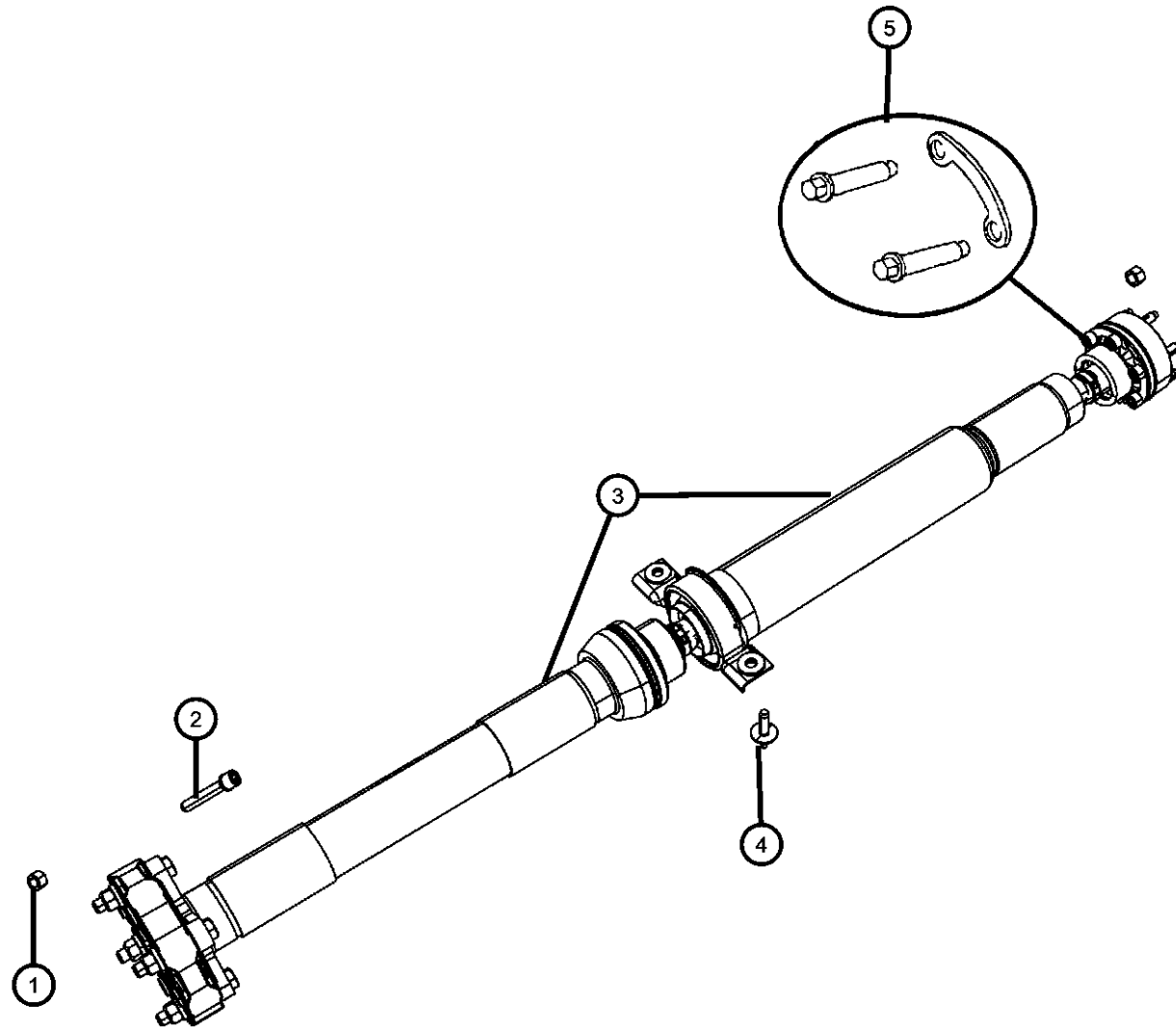
Axle Assembly & Components Fig. 003DPR - 705

Rear Axle Shafts

Shafts, Rear Axle..... Fig. 003DPR - 905

003DPR-600 Drive Shaft	003DPR-700 Rear Axle Assembly	003DPR-900 Rear Axle Shafts	
----------------------------------	---	---------------------------------------	--

**Shaft, Drive, Rear, 2-Piece
Figure 003DPR-605**



ITEM	PART NUMBER	QTY	LINE	SERIES	BODY	ENGINE	TRANS	TRIM	DESCRIPTION
1	06509330AA	4	J, T, U		74				NUT, Locking, Driveshaft to Rear Axle, Mounting
2	06509568AA	4	J, T, U		74				SCREW AND WASHER, Driveshaft to Rear Axle, Mounting
3									SHAFT, Drive, Rear 2-Piece
	52123480AD	1	J, U		74				[EXF]
	52853649AF	1	J, U		74				[EZH]
	52853651AF	1	T		74				[EZH]
4	06509547AA	2	J, T, U		74				STUD AND WASHER, Two End, Center Bearing to Body, Mounting
5									BOLT AND WASHER
	68087449AA	3	J, U		74				[DS8], [EXF] Driveshaft to Transfer Case, Mounting
		3	J, U		74				[DS8], [EZH] Driveshaft to Transfer Case, Mounting
	68087450AA	3	T		74				[EZH] Driveshaft to Transmission, Mounting

GRAND CHEROKEE (WK)

SERIES LINE
H = HIGHLINE T = JEEP - 2WD
P = PREMIUM J = JEEP - 4WD
S = SPORT U = JEEP - 4WD (RHD)

BODY
74 = SPORT UTILITY 4-DR
TYPE #4

ENGINE
ERB = 3.XL Mid V6 Engine
EZH = 5.7L V8 HEMI MDS
VVT Engine
EXF = 3.0L V6 Turbo Diesel
Engine

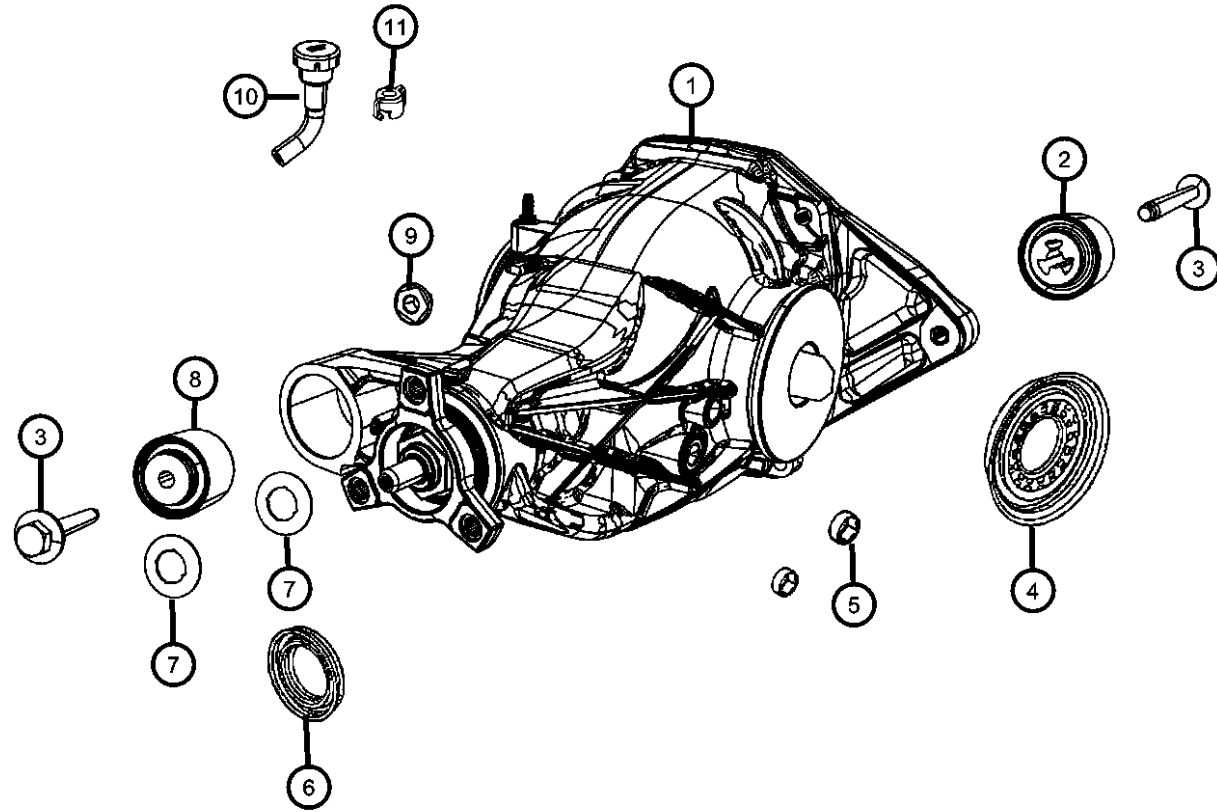
TRANSMISSION
DGQ = 5-Spd Automatic 545RFE
Transmission
DGJ = 5-Speed Auto W5A580
Transmission

AR = use ase required - = Non illustrated part

2011 WK

Axle Assembly & Components
Figure 003DPR-705

ITEM	PART NUMBER	QTY	LINE	SERIES	BODY	ENGINE	TRANS	TRIM	DESCRIPTION
1	68021449AC	1	J, T, U		74				DIFFERENTIAL, Rear Axle
2	68088618AA	2	J, T, U		74				MOUNT, Differential
3	06104462AA	3	J, T, U		74				SCREW AND WASHER, Hex Head, M12X1.5X100.00, Rear Differential Mount to Differential, Mounting
4	68084595AA	2	J, T, U		74				SEAL, Axle Drive Shaft
5	05097712AB	2	J, T, U		74				PLUG, Oil Drain, Drain & Fill 225 mm
6	68019927AA	1	J, T, U		74				SEAL, Drive Pinion
7	04578871AA	2	J, T, U		74				MOUNT, Differential
8	68019885AA	1	J, T, U		74				MOUNT, Differential
9	06104718AA	1	J, T, U		74				NUT, Hex Flange Lock, M12X1.50, Differential Mount to Differential, Mounting
10	68078561AA	1	J, T, U		74				HOSE, Axle Vent
11	05170944AB	1	J, T, U		74				VENT, Axle



GRAND CHEROKEE (WK)

SERIES LINE
H = HIGHLINE T = JEEP - 2WD
P = PREMIUM J = JEEP - 4WD
S = SPORT U = JEEP - 4WD (RHD)

BODY
74 = SPORT UTILITY 4-DR
TYPE #4

ENGINE
ERB = 3.XL Mid V6 Engine
EZH = 5.7L V8 HEMI MDS
VVT Engine
EXF = 3.0L V6 Turbo Diesel
Engine

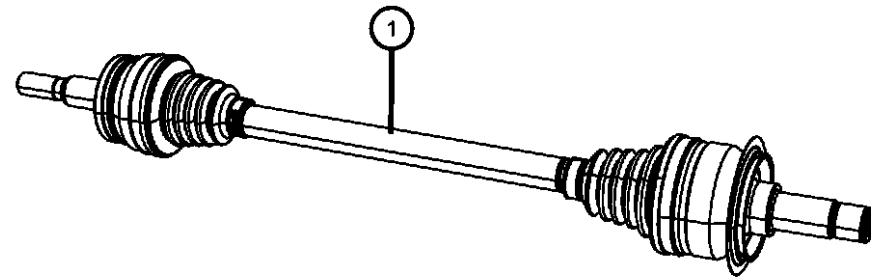
TRANSMISSION
DGQ = 5-Spd Automatic 545RFE
Transmission
DGJ = 5-Speed Auto W5A580
Transmission

AR = use ase required - = Non illustrated part

2011 WK

**Shafts, Rear Axle
Figure 003DPR-905**

ITEM	PART NUMBER	QTY	LINE	SERIES	BODY	ENGINE	TRANS	TRIM	DESCRIPTION
1									SHAFT, Axle Half
	68025001AA	1	T		74				[DGQ], Left Or Right
	68035017AB	1	J, U		74				[DKA], [DS8], Left Or Right
		1	T		74				[DGU], Left Or Right



GRAND CHEROKEE (WK)

SERIES	LINE
H = HIGHLINE	T = JEEP - 2WD
P = PREMIUM	J = JEEP - 4WD
S = SPORT	U = JEEP - 4WD (RHD)

BODY
74 = SPORT UTILITY 4-DR
TYPE #4

ENGINE
ERB = 3.XL Mid V6 Engine
EZH = 5.7L V8 HEMI MDS
VVT Engine
EXF = 3.0L V6 Turbo Diesel
Engine

TRANSMISSION
DGQ = 5-Spd Automatic 545RFE
Transmission
DGJ = 5-Speed Auto W5A580
Transmission

AR = use ase required - = Non illustrated part

2011 WK

Group - 003DR1

Rear Axle; 230 MM; Differential and Drive Line

Group - 003DR1 Rear Axle; 230 MM; Differential and Drive Line

Illustration Title

Group-Fig. No.

Drive Shaft

Shaft, Drive, Rear, 2-Piece Fig. 003DR1 - 605

Rear Axle Assembly

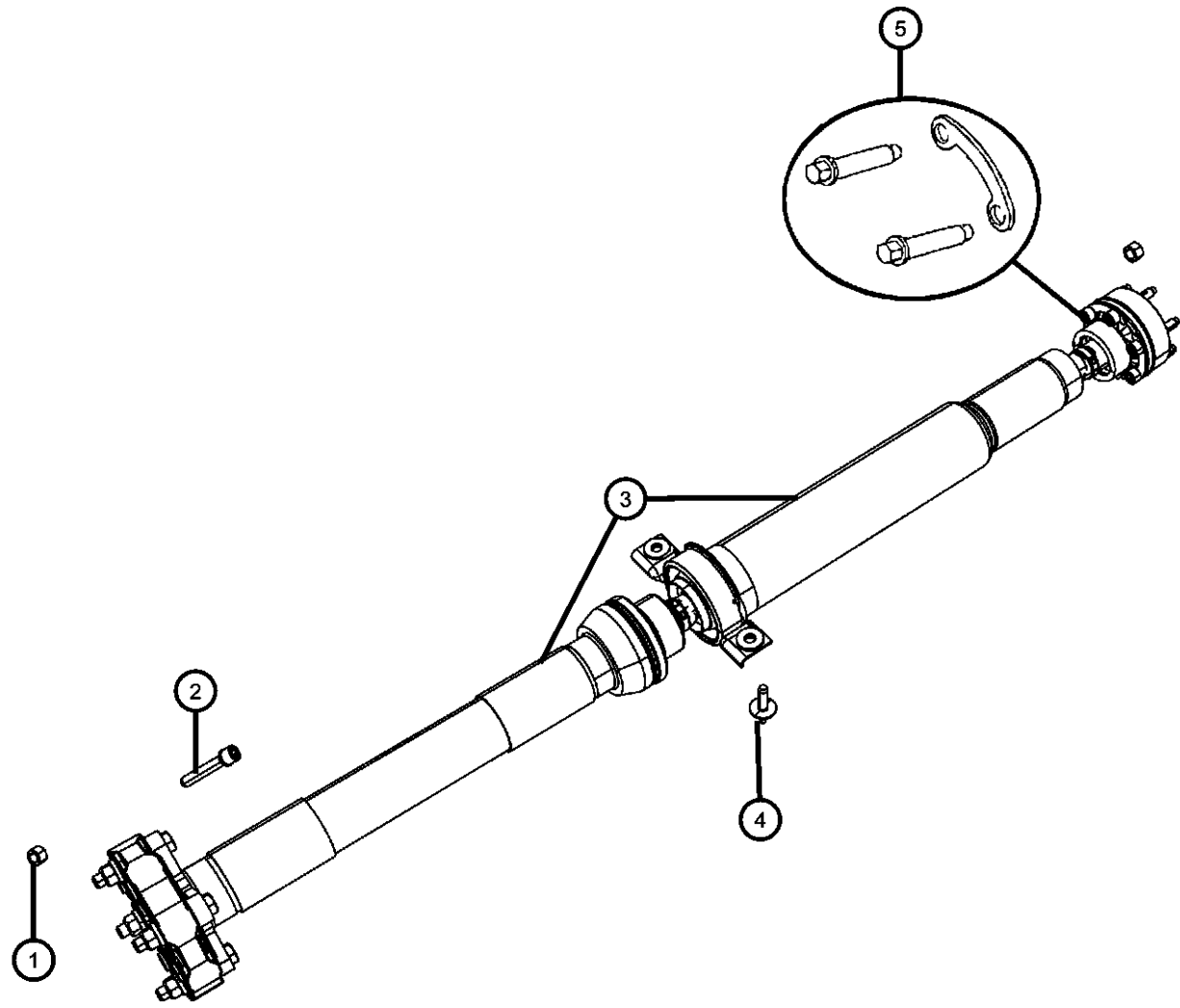
Axle Assembly & Components Fig. 003DR1 - 705

Rear Axle Shafts

Shafts, Rear Axle..... Fig. 003DR1 - 905

003DR1-600 Drive Shaft	003DR1-700 Rear Axle Assembly	003DR1-900 Rear Axle Shafts	
----------------------------------	---	---------------------------------------	--

**Shaft, Drive, Rear, 2-Piece
Figure 003DR1-605**



ITEM	PART NUMBER	QTY	LINE	SERIES	BODY	ENGINE	TRANS	TRIM	DESCRIPTION
1	06509330AA	4	J, T, U		74				NUT, Locking, Driveshaft to Rear Axle, Mounting
2	06509568AA	4	J, T, U		74				SCREW AND WASHER, Driveshaft to Rear Axle, Mounting
3									SHAFT, Drive, Rear 2-Piece
	52123512AC	1	J, U		74				[EXF]
	52123514AD	1	J, U		74				[EZH]
4	06509547AA	2	J, T, U		74				STUD AND WASHER, Two End, Center Bearing to Body, Mounting
5									BOLT AND WASHER
	68087449AA	3	J, U		74				[DSF], [EXF] Driveshaft to Transfer Case, Mounting
		1	J, U		74				[DSF], [EZH] Driveshaft to Transfer Case, Mounting

GRAND CHEROKEE (WK)

SERIES LINE
H = HIGHLINE T = JEEP - 2WD
P = PREMIUM J = JEEP - 4WD
S = SPORT U = JEEP - 4WD (RHD)

BODY
74 = SPORT UTILITY 4-DR TYPE #4

ENGINE
ERB = 3.0L Mid V6 Engine
EZH = 5.7L V8 HEMI MDS VVT Engine
EXF = 3.0L V6 Turbo Diesel Engine

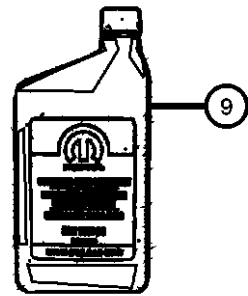
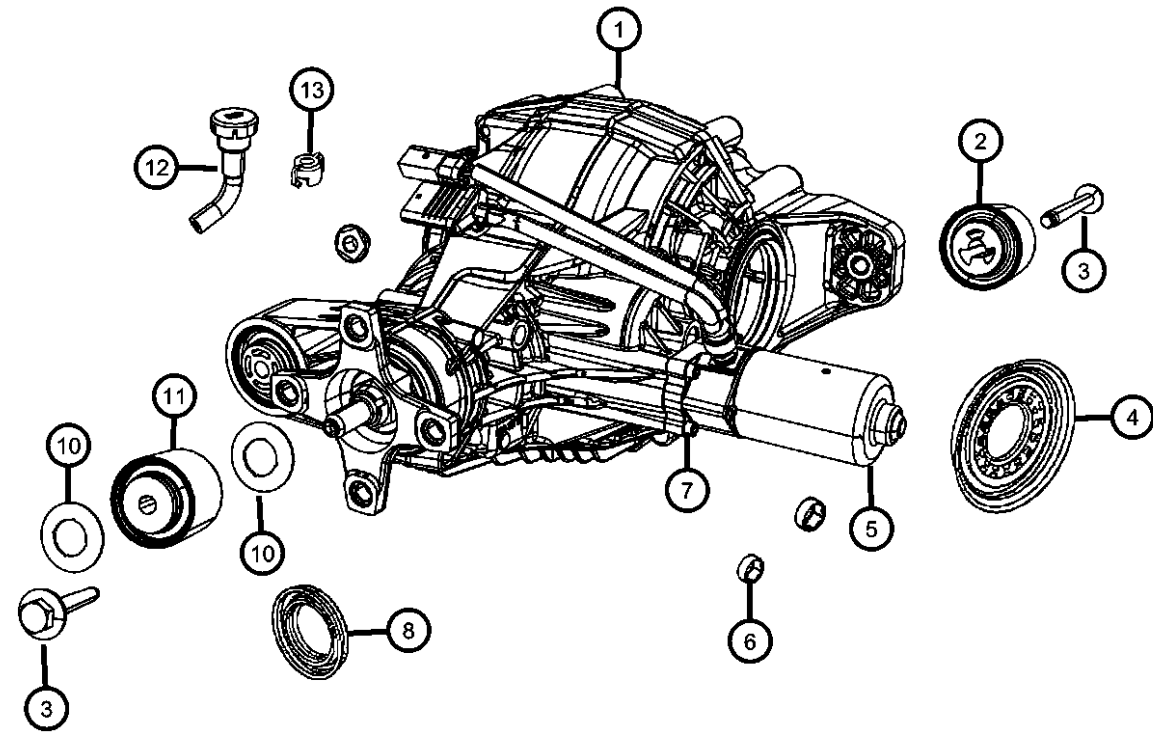
TRANSMISSION
DGQ = 5-Spd Automatic 545RFE Transmission
DGJ = 5-Speed Auto W5A580 Transmission

AR = use ase required - = Non illustrated part

2011 WK

Axle Assembly & Components
Figure 003DR1-705

ITEM	PART NUMBER	QTY	LINE	SERIES	BODY	ENGINE	TRANS	TRIM	DESCRIPTION
1	68060039AC	1	J, T, U		74				DIFFERENTIAL, Rear Axle [DLK], [DS8], [EXF]
	68060040AA	1	J, T, U		74				[DLK], [DSF]
	68060649AC	1	T		74				[DMP], [DS8]
	68092358AA	1	J, T, U		74				[DLK], [DS8], [EZH]
2	68088618AA	2	J, T, U		74				MOUNT, Differential
3	06104462AA	3	J, T, U		74				SCREW AND WASHER, Hex Head, M12X1.5X100.00, Rear Differential Mount to Differential, Mounting
4	68084192AA	1	J, T, U		74				SEAL, Output Left
	68084193AA	1	J, T, U		74				Right
	68084194AA	1	J, T, U		74				[DSF], Left
5	68084266AA	1	J, T, U		74				MOTOR KIT, Axle, [DSF]
6	68084187AA	2	J, T, U		74				PLUG, Fill, Drain & Fill
7	68084273AA	4	J, T, U		74				BOLT, [DSF] Motor to Axle, Mounting
8	68084189AA	1	J, T, U		74				SEAL, Drive Pinion
9	68083381AA	1	J, T, U		74				LUBRICANT, Gear
10	04578871AA	2	J, T, U		74				MOUNT, Differential
11	68019885AA	1	J, T, U		74				MOUNT, Differential
12	68078563AA	1	J, T, U		74				HOSE, Axle Vent
13	68084188AA	1	J, T, U		74				VENT, Axle
-14	68084272AA	1	J, T, U		74				O RING, [DSF]



GRAND CHEROKEE (WK)

SERIES LINE
H = HIGHLINE T = JEEP - 2WD
P = PREMIUM J = JEEP - 4WD
S = SPORT U = JEEP - 4WD (RHD)

BODY
74 = SPORT UTILITY 4-DR
TYPE #4

ENGINE
ERB = 3.XL Mid V6 Engine
EZH = 5.7L V8 HEMI MDS
VVT Engine
EXF = 3.0L V6 Turbo Diesel
Engine

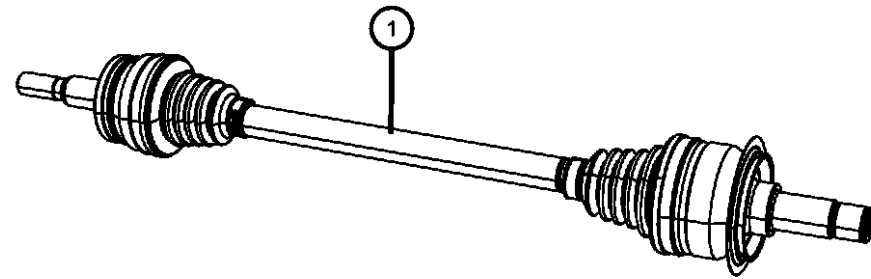
TRANSMISSION
DGQ = 5-Spd Automatic 545RFE
Transmission
DGJ = 5-Speed Auto W5A580
Transmission

AR = use ase required - = Non illustrated part

2011 WK

Shafts, Rear Axle
Figure 003DR1-905

ITEM	PART NUMBER	QTY	LINE	SERIES	BODY	ENGINE	TRANS	TRIM	DESCRIPTION
1									SHAFT, Axle Half
	04726091AB	1	J, U		74				[DSF], Left
	52123523AA	1	T		74				[ERB], Left Or Right
		1	J, U		74				[EXF], [EZH], Left Or Right
	52123524AA	1	T		74				[EZH], Left Or Right
	04726090AB	1	J, U		74				[DSF], Right



GRAND CHEROKEE (WK)

SERIES LINE
H = HIGHLINE T = JEEP - 2WD
P = PREMIUM J = JEEP - 4WD
S = SPORT U = JEEP - 4WD (RHD)

BODY
74 = SPORT UTILITY 4-DR
TYPE #4

ENGINE
ERB = 3.XL Mid V6 Engine
EZH = 5.7L V8 HEMI MDS
VVT Engine
EXF = 3.0L V6 Turbo Diesel
Engine

TRANSMISSION
DGQ = 5-Spd Automatic 545RFE
Transmission
DGJ = 5-Speed Auto W5A580
Transmission

AR = use ase required - = Non illustrated part

2011 WK

Group - 003DRH

Rear Axle; 195 MM; Differential and Drive Line

Group - 003DRH Rear Axle; 195 MM; Differential and Drive Line

Illustration Title

Group-Fig. No.

Drive Shaft

Shaft, Drive, Rear, 2-PieceFig. 003DRH - 605

Rear Axle Assembly

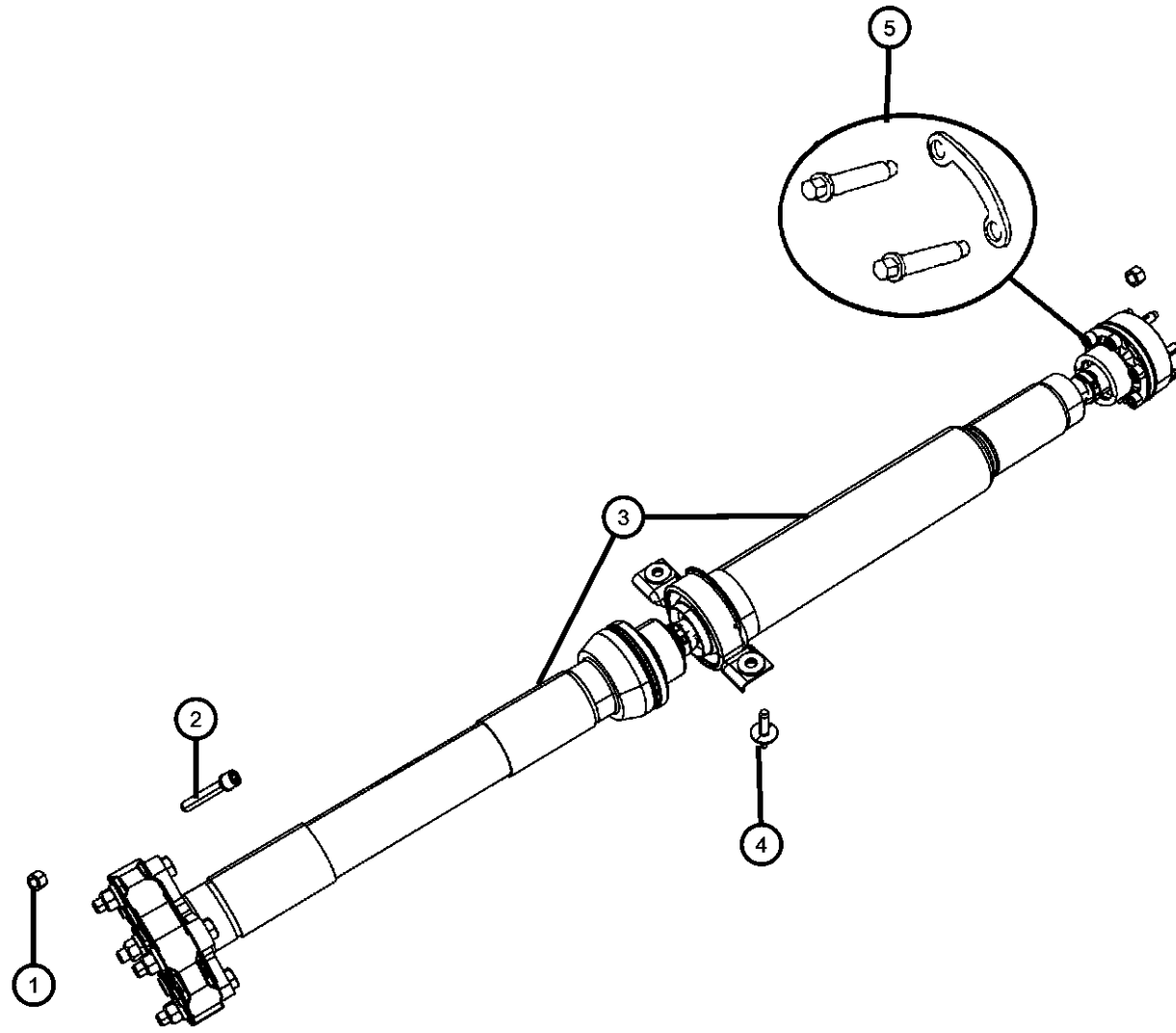
Axle Assembly & ComponentsFig. 003DRH - 705

Rear Axle Shafts

Shafts, Rear Axle.....Fig. 003DRH - 905

003DRH-600 Drive Shaft	003DRH-700 Rear Axle Assembly	003DRH-900 Rear Axle Shafts	
----------------------------------	---	---------------------------------------	--

Shaft, Drive, Rear, 2-Piece
Figure 003DRH-605



ITEM	PART NUMBER	QTY	LINE	SERIES	BODY	ENGINE	TRANS	TRIM	DESCRIPTION
1		1							NUT, Locking, (NOT SERVICED),
2		1							SCREW AND WASHER, (NOT SERVICED)
3		1							SHAFT, Drive, Rear 2-Piece, (NOT SERVICED)
4	06509547AA	2	J, T, U		74				STUD AND WASHER, Two End, Center Bearing to Body, Mounting
5		2							BOLT AND WASHER, (NOT SERVICED)

GRAND CHEROKEE (WK)

SERIES LINE
H = HIGHLINE T = JEEP - 2WD
P = PREMIUM J = JEEP - 4WD
S = SPORT U = JEEP - 4WD (RHD)

BODY
74 = SPORT UTILITY 4-DR
TYPE #4

ENGINE
ERB = 3.XL Mid V6 Engine
EZH = 5.7L V8 HEMI MDS
VVT Engine
EXF = 3.0L V6 Turbo Diesel
Engine

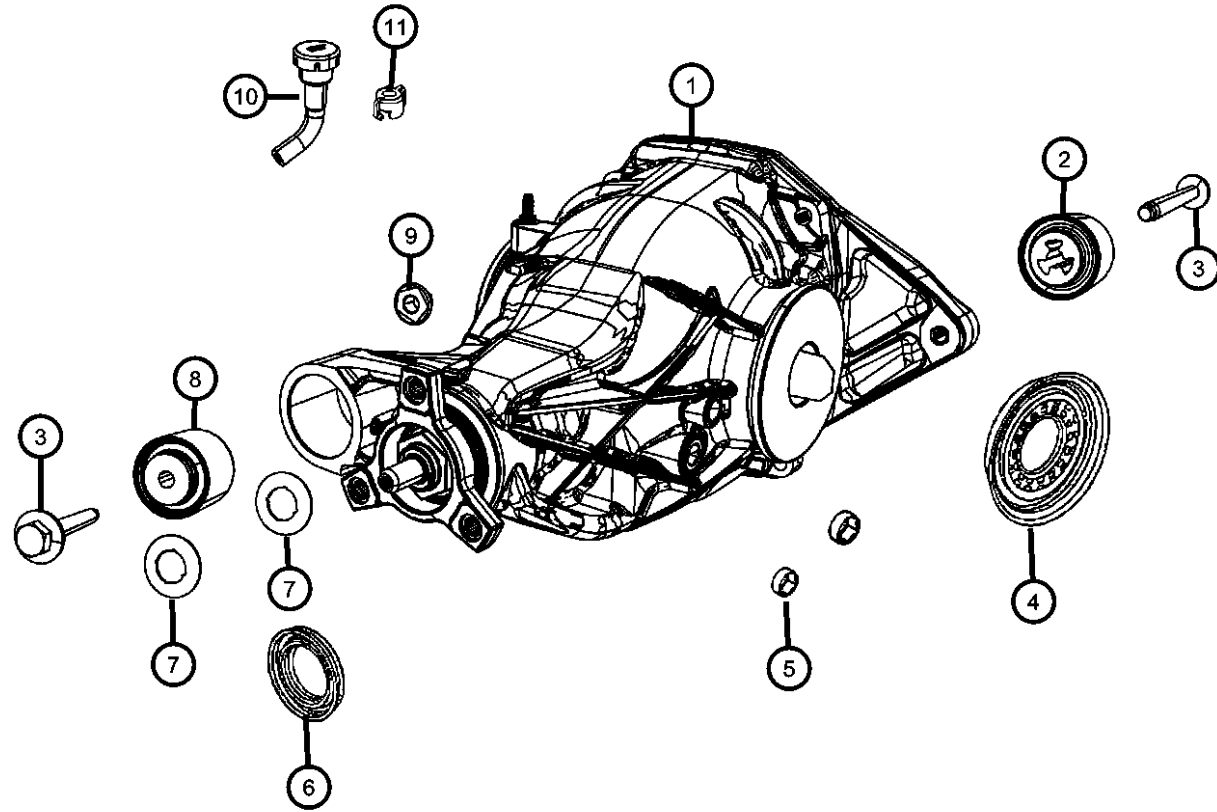
TRANSMISSION
DGQ = 5-Spd Automatic 545RFE
Transmission
DGJ = 5-Speed Auto W5A580
Transmission

AR = use ase required - = Non illustrated part

2011 WK

Axle Assembly & Components
Figure 003DRH-705

ITEM	PART NUMBER	QTY	LINE	SERIES	BODY	ENGINE	TRANS	TRIM	DESCRIPTION
1	68060038AC	1	J, U		74				DIFFERENTIAL, Rear Axle
2	68091398AA	2	J, T, U		74				MOUNT, Differential
3	06104462AA	3	J, T, U		74				SCREW AND WASHER, Hex Head, M12X1.5X100.00, Rear Differential Mount to Differential, Mounting
4									SEAL, Output
	68084184AA	1	J, U		74				Right
	68084185AA	1	J, U		74				Left
5	68084187AA	2	J, U		74				PLUG, Fill
6	68084189AA	1	J, U		74				SEAL, Drive Pinion
7	68091613AA	2	J, T, U		74				MOUNT, Differential
8	68091399AA	1	J, T, U		74				MOUNT, Differential
9	06104718AA	1	J, T, U		74				NUT, Hex Flange Lock, M12X1.50, Rear Differential Mount to Differential, Mounting
10	68078563AA	1	J, T, U		74				HOSE, Axle Vent
11	68084188AA	1	J, U		74				VENT, Axle



GRAND CHEROKEE (WK)

SERIES LINE
H = HIGHLINE T = JEEP - 2WD
P = PREMIUM J = JEEP - 4WD
S = SPORT U = JEEP - 4WD (RHD)

BODY
74 = SPORT UTILITY 4-DR
TYPE #4

ENGINE
ERB = 3.0L Mid V6 Engine
EZH = 5.7L V8 HEMI MDS
VVT Engine
EXF = 3.0L V6 Turbo Diesel
Engine

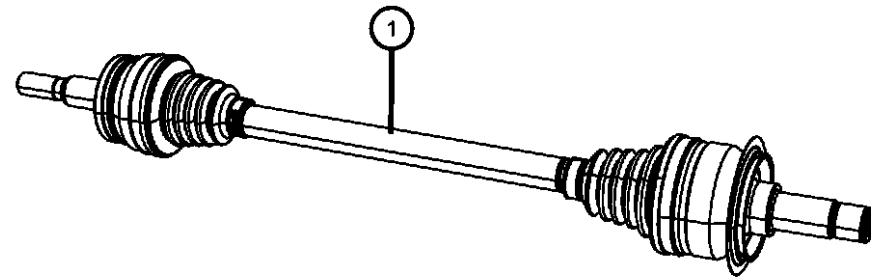
TRANSMISSION
DGQ = 5-Spd Automatic 545RFE
Transmission
DGJ = 5-Speed Auto W5A580
Transmission

AR = use ase required - = Non illustrated part

2011 WK

Shafts, Rear Axle
Figure 003DRH-905

ITEM	PART NUMBER	QTY	LINE	SERIES	BODY	ENGINE	TRANS	TRIM	DESCRIPTION
1									SHAFT, Axle Half
	52123521AA	1	J, U		74				[DHY], Left Or Right
	52123522AA	1	J, U		74				[DKA], Left Or Right



GRAND CHEROKEE (WK)

SERIES LINE
H = HIGHLINE T = JEEP - 2WD
P = PREMIUM J = JEEP - 4WD
S = SPORT U = JEEP - 4WD (RHD)

BODY
74 = SPORT UTILITY 4-DR
TYPE #4

ENGINE
ERB = 3.XL Mid V6 Engine
EZH = 5.7L V8 HEMI MDS
VVT Engine
EXF = 3.0L V6 Turbo Diesel
Engine

TRANSMISSION
DGQ = 5-Spd Automatic 545RFE
Transmission
DGJ = 5-Speed Auto W5A580
Transmission

AR = use ase required - = Non illustrated part

2011 WK

Group - 5

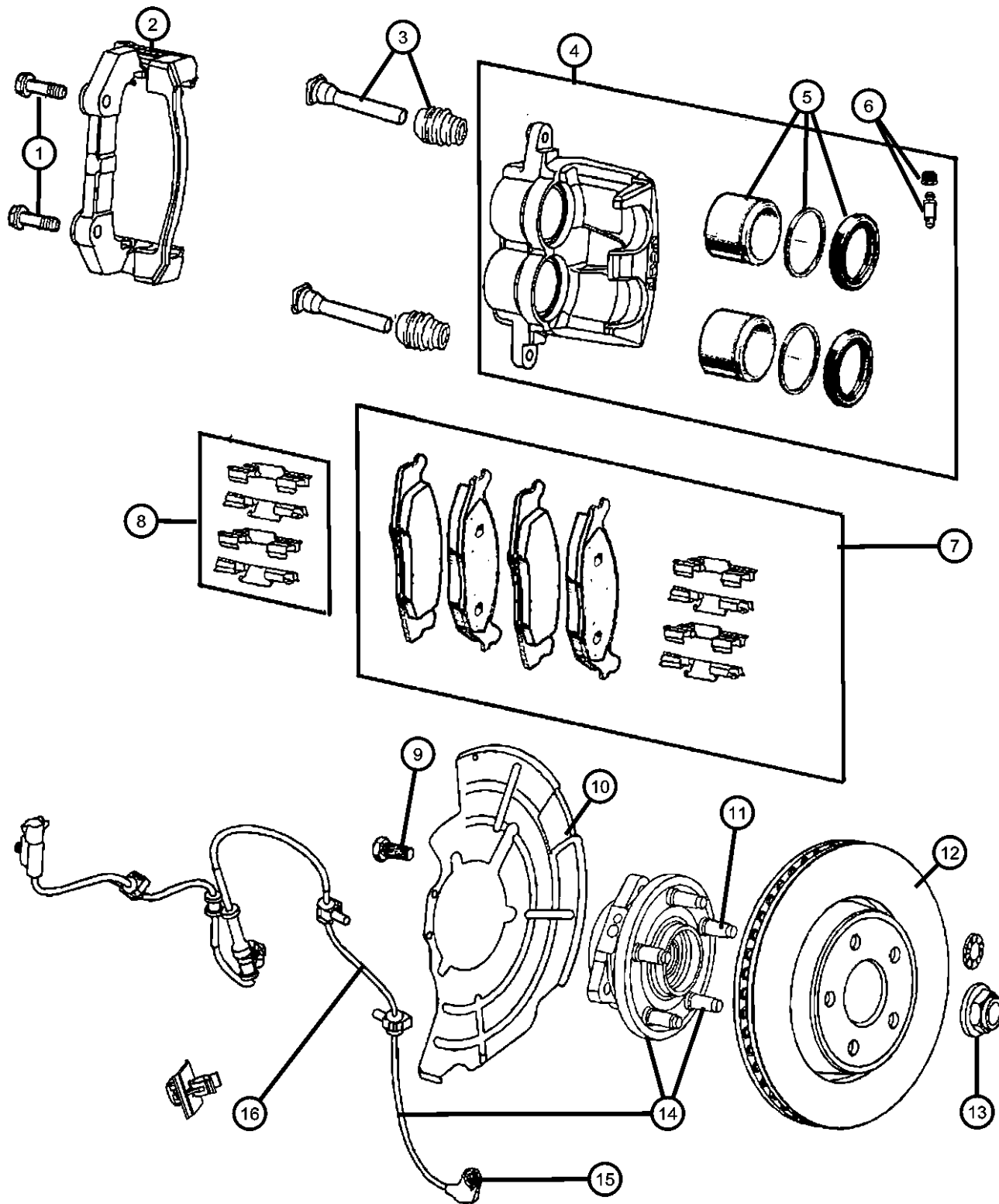
Brakes

Group - 5 Brakes

Illustration Title	Group-Fig. No.
Front Brakes	
Brakes, Front	Fig. 5 - 110
Rear Brakes	
Brakes, Rear, Disc	Fig. 5 - 210
Power Brake Booster	
Booster and Pump, Vacuum Power Brake	Fig. 5 - 310
Brake Master Cylinder	
Master Cylinder, Brake.....	Fig. 5 - 410
Hydraulic Control Unit, Brake Tubes and Hoses	
HCU and Tubes to Master Cylinder.....	Fig. 5 - 510
Brake Tubes and Hoses,Front	Fig. 5 - 520
Brake Tubes and Hoses,Rear	Fig. 5 - 530
Brake Pedals	
Pedal,Brake,Non Adjustable [XA8]	Fig. 5 - 610
Parking Brake Lever, Cables, and Rear Disc Park Brake Assembly	
Park Brake Lever and Front and Rear Cables	Fig. 5 - 710
Park Brake Assembly,Rear Disc	Fig. 5 - 730

005-100 Front Brakes	005-200 Rear Brakes	005-300 Power Brake Booster	005-400 Brake Master Cylinder
005-500 Hydraulic Control Unit, Brake Tubes and Hoses	005-600 Brake Pedals	005-700 Parking Brake Lever, Cables, and Rear Disc Park Brake Assembly	

Brakes, Front
Figure 5-110



ITEM	PART NUMBER	QTY	LINE	SERIES	BODY	ENGINE	TRANS	TRIM	DESCRIPTION
1	06104257AA	4	J, T, U		74				BOLT, Hex Flange Head, M14x1.50x40.00
2	68052371AA	1	J, T		74				ADAPTER, Disc Brake Caliper, Front [BRY], 17 inch Wheels
	68052372AA	1	J, T, U		74				[BR6], 18 inch Wheels
	68138844AA	1	J, T, U		74				[BR1], 18 inch Wheels
3	68052367AA	1	J, T		74				PIN KIT, Disc Brake [BRY]
	68138845AA	1	J, T, U		74				[BR6]
	68138845AA	1	J, T, U		74				[BR1]
4	68052363AB	1	J, T, U		74				CALIPER ASSEMBLY, Disc Brake, Front [BR6], 18 inch Wheels, Left
	68138842AA	1	J, T, U		74				[BR1], 18 inch Wheels, Right
	68138843AA	1	J, T, U		74				[BR1], 18 inch Wheels, Left
	68052362AB	1	J, T		74				[BRY], 17 inch Wheels, Right
		1	J, T, U		74				[BR6], 18 inch Wheels, Right
		1	J, T		74				[BRY], 17 inch Wheels, Left
5	68052361AA	1	J, T		74				PISTON AND SEAL KIT, Disc Brake [BRY]
		1	J, T, U		74				[BR6]
		1	J, T, U		74				[BR1]
6	68052365AA	1	J, T		74				SCREW, Bleeder [BRY]
		1	J, T, U		74				[BR6]
		1	J, T, U		74				[BR1]
7	68052369AA	1	J, T		74				PAD KIT, Front Disc Brake [BRY]
		1	J, T, U		74				[BR6]
	68052370AA	1	J, T, U		74				[BR1]
8	68052368AA	1	J, T, U		74				STRAP, Retaining [BR1]
		1	J, T		74				[BRY]
		1	J, T, U		74				[BR6]

GRAND CHEROKEE (WK)

SERIES LINE
H = HIGHLINE T = JEEP - 2WD
P = PREMIUM J = JEEP - 4WD
S = SPORT U = JEEP - 4WD (RHD)

BODY
74 = SPORT UTILITY 4-DR TYPE #4

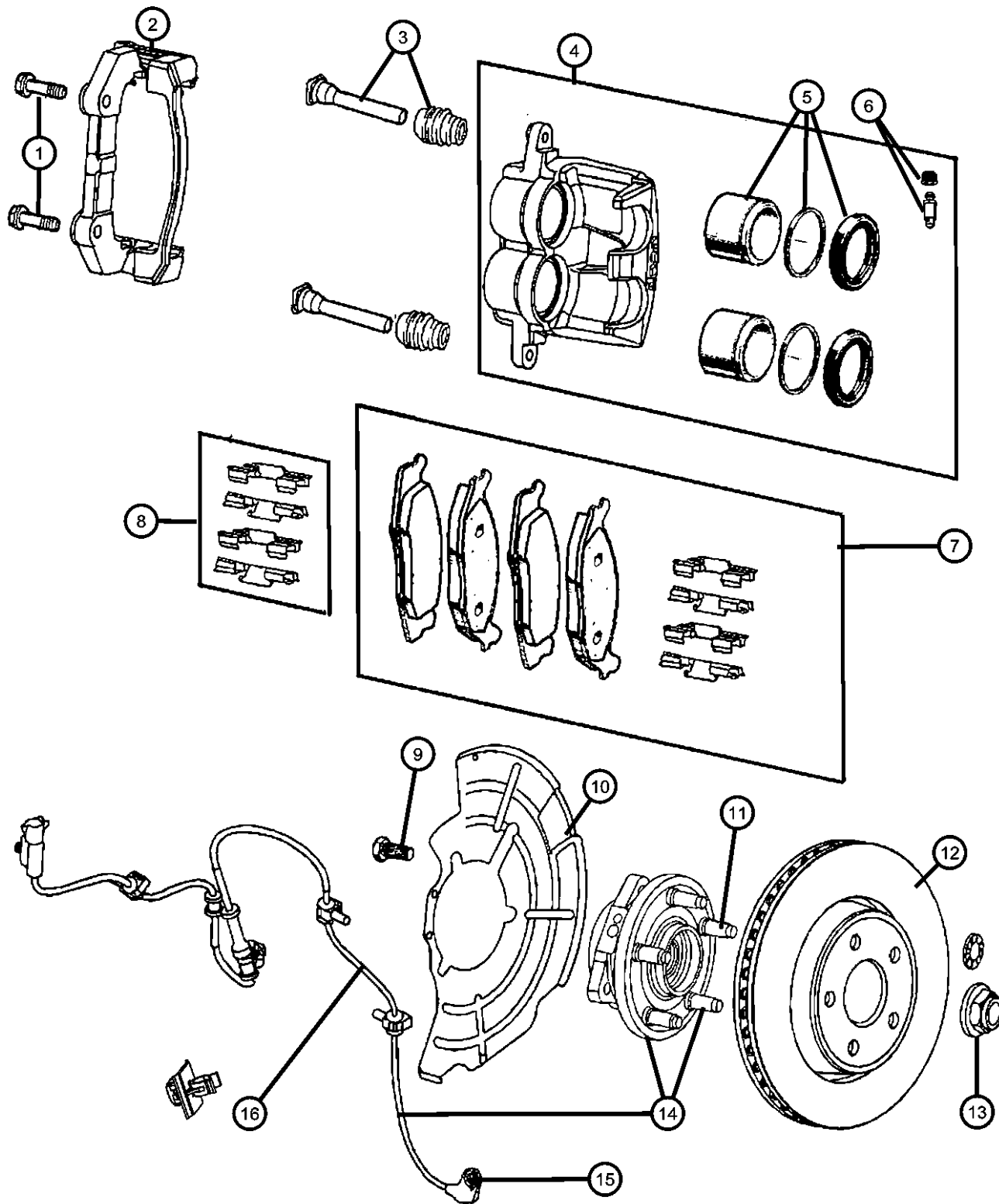
ENGINE
ERB = 3.0L Mid V6 Engine
EZH = 5.7L V8 HEMI MDS VVT Engine
EXF = 3.0L V6 Turbo Diesel Engine

TRANSMISSION
DGQ = 5-Spd Automatic 545RFE Transmission
DGJ = 5-Speed Auto W5A580 Transmission

AR = use ase required - = Non illustrated part

2011 WK

Brakes, Front
Figure 5-110



ITEM	PART NUMBER	QTY	LINE	SERIES	BODY	ENGINE	TRANS	TRIM	DESCRIPTION
9	06503712	3	J, T, U		74				BOLT, Hex Flange Head, M12x1.75x70.00
10	52124764AD	1	J, T, U		74				SHIELD, Splash Right
	52124765AD	1	J, T, U		74				Left
11	06509858AA	5	J, T, U		74				STUD, Hub
12	52124762AB	2	J, T		74				ROTOR, Brake, Front [BRY]
	68035012AB	2	J, T, U		74				[BR1] Or [BR6], [X84]
13	06509298AA	1	J, U		74				NUT, Hex Flange Lock, M22x1.50
14	52124767AC	1	J, T, U		74				HUB AND BEARING, Brake, Front
15	06102164AA	1	J, T, U		74				BOLT AND CONED WASHER, Hex Head, M6X1.00X14.00
16	56029447AF	1	J, T, U		74				SENSOR, Anti-Lock Brakes

GRAND CHEROKEE (WK)

SERIES LINE
H = HIGHLINE T = JEEP - 2WD
P = PREMIUM J = JEEP - 4WD
S = SPORT U = JEEP - 4WD (RHD)

BODY
74 = SPORT UTILITY 4-DR TYPE #4

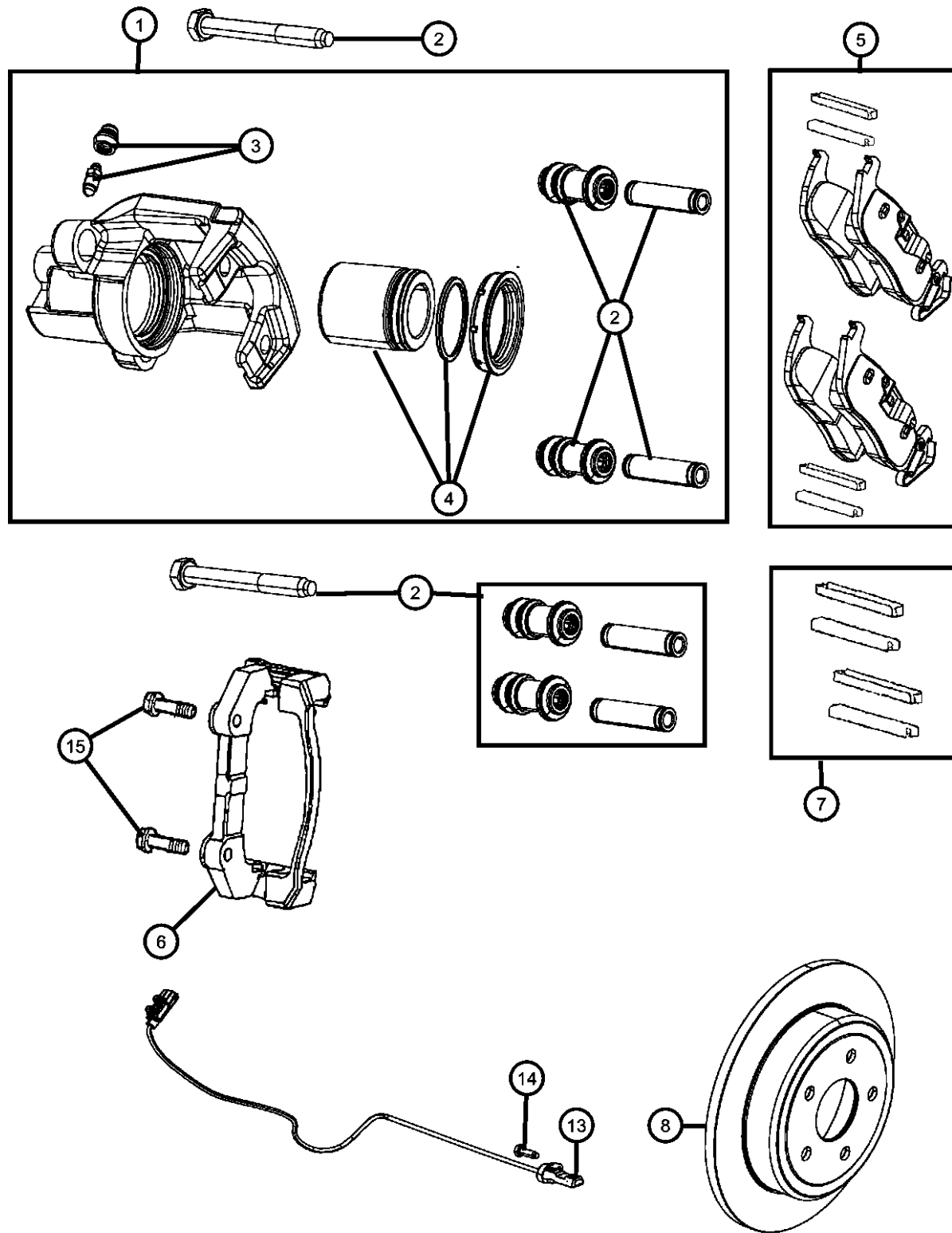
ENGINE
ERB = 3.0L Mid V6 Engine
EZH = 5.7L V8 HEMI MDS VVT Engine
EXF = 3.0L V6 Turbo Diesel Engine

TRANSMISSION
DGQ = 5-Spd Automatic 545RFE Transmission
DGJ = 5-Speed Auto W5A580 Transmission

AR = use ase required - = Non illustrated part

2011 WK

Brakes, Rear, Disc
Figure 5-210



ITEM	PART NUMBER	QTY	LINE	SERIES	BODY	ENGINE	TRANS	TRIM	DESCRIPTION
1	68052380AA	1	J, T, U		74				CALIPER ASSEMBLY, Disc Brake, Rear
	68052381AA	1	J, T, U		74				[BR6], 18 inch Wheels, Domestic, Right
	68052376AA	1	J, T, U		74				[BR6], 18 inch Wheels, Domestic, Left
	68052377AA	1	J, T		74				[BRY], 17 inch Wheels, Domestic, Right
	68052377AA	1	J, T		74				[BRY], 17 inch Wheels, Domestic, Left
	68052377AA	1	J, T, U		74				[BR1], 18 inch Wheels, BUX, Right
2	68052383AA	1	J, T, U		74				PIN KIT, Disc Brake
		1	J, T, U		74				[BR1], 18 inch Wheels, BUX
		1	J, T, U		74				[BR6], 18 inch Wheels, Domestic
		1	J, T		74				[BRY], 17 inch Wheels, Domestic
3	04560193AA	1	J, T, U		74				SCREW, Bleeder
		1	J, T, U		74				[BR1], 18 inch Wheels, BUX
		1	J, T, U		74				[BR6], 18 inch Wheels, Domestic
		1	J, T		74				[BRY], 17 inch Wheels, Domestic
4	68052375AA	1	J, T, U		74				PISTON AND SEAL KIT, Disc Brake
		1	J, T, U		74				[BR1], 18 inch Wheels, BUX
		1	J, T, U		74				[BR6], 18 inch Wheels, Domestic
		1	J, T		74				[BRY], 17 inch Wheels, Domestic
5	68052386AA	1	J, T, U		74				PAD KIT, Rear Disc Brake
		1	J, T		74				[BR6], 18 inch Wheels, Domestic
		1	J, T		74				[BR1], 18 inch Wheels, BUX
6	68052373AA	1	J, T		74				ADAPTER, Disc Brake Caliper, Rear
	68052374AA	1	J, T, U		74				[BRY]
	68052374AA	1	J, T, U		74				[BR1]
	68052374AA	1	J, T, U		74				[BR6]
7	68052384AA	1	J, T, U		74				STRAP, Retaining
		1	J, T		74				[BR6], 18 inch Wheels, Domestic
		1	J, T, U		74				[BRY], 17 inch Wheels, Domestic
		1	J, T, U		74				[BR1], 18 inch Wheels, BUX
8									ROTOR, Brake, Rear

GRAND CHEROKEE (WK)

SERIES LINE
H = HIGHLINE T = JEEP - 2WD
P = PREMIUM J = JEEP - 4WD
S = SPORT U = JEEP - 4WD (RHD)

BODY
74 = SPORT UTILITY 4-DR
TYPE #4

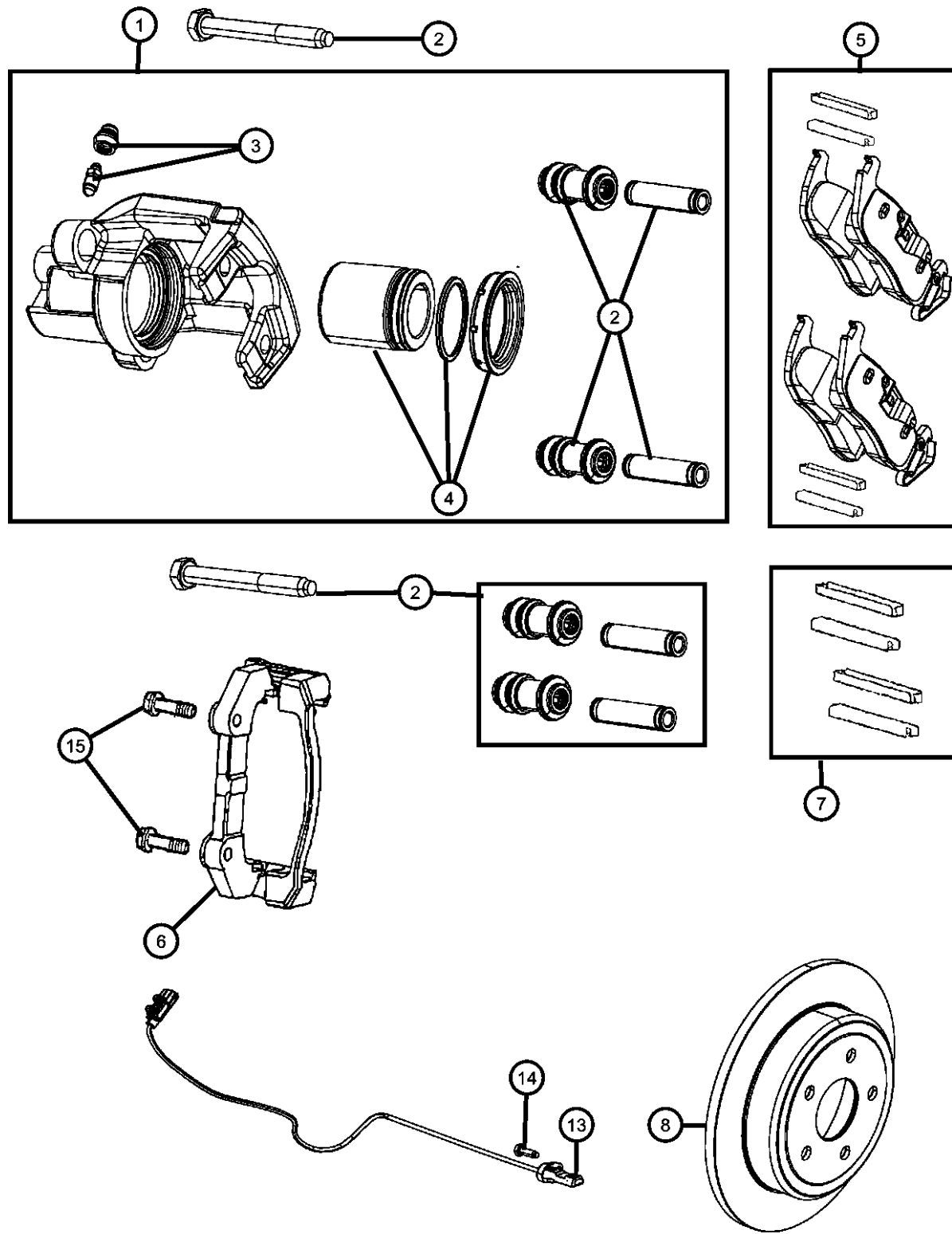
ENGINE
ERB = 3.0L Mid V6 Engine
EZH = 5.7L V8 HEMI MDS
VVT Engine
EXF = 3.0L V6 Turbo Diesel
Engine

TRANSMISSION
DGQ = 5-Spd Automatic 545RFE
Transmission
DGJ = 5-Speed Auto W5A580
Transmission

AR = use ase required - = Non illustrated part

2011 WK

Brakes, Rear, Disc
Figure 5-210



ITEM	PART NUMBER	QTY	LINE	SERIES	BODY	ENGINE	TRANS	TRIM	DESCRIPTION
	52124763AB	2	J, T, U		74				[BRY], 17 inch Wheels, Domestic
	68035022AB	2	J, T, U		74				[BR1] Or [BR6]
-9	06509858AA	5	J, T, U		74				STUD, Hub
-10	04779612AC	1	J, T, U		74				HUB, Wheel
-11	52124768AB	1	J, T, U		74				BEARING, Wheel
-12	06509298AA	1	J, T, U		74				NUT, Hex Flange Lock, M22x1.50, Halfshaft to Hub and Bearing Assembly
13	05154230AC	1	J, T, U		74				SENSOR, Wheel Speed
14	06102164AA	1	J, T, U		74				BOLT AND CONED WASHER, Hex Head, M6X1.00X14.00
15	06104235AA	4	J, T, U		74				SCREW, Hex Flange Head, M12X1.5X35.00, Caliper mounting

GRAND CHEROKEE (WK)

SERIES LINE
H = HIGHLINE T = JEEP - 2WD
P = PREMIUM J = JEEP - 4WD
S = SPORT U = JEEP - 4WD (RHD)

BODY
74 = SPORT UTILITY 4-DR TYPE #4

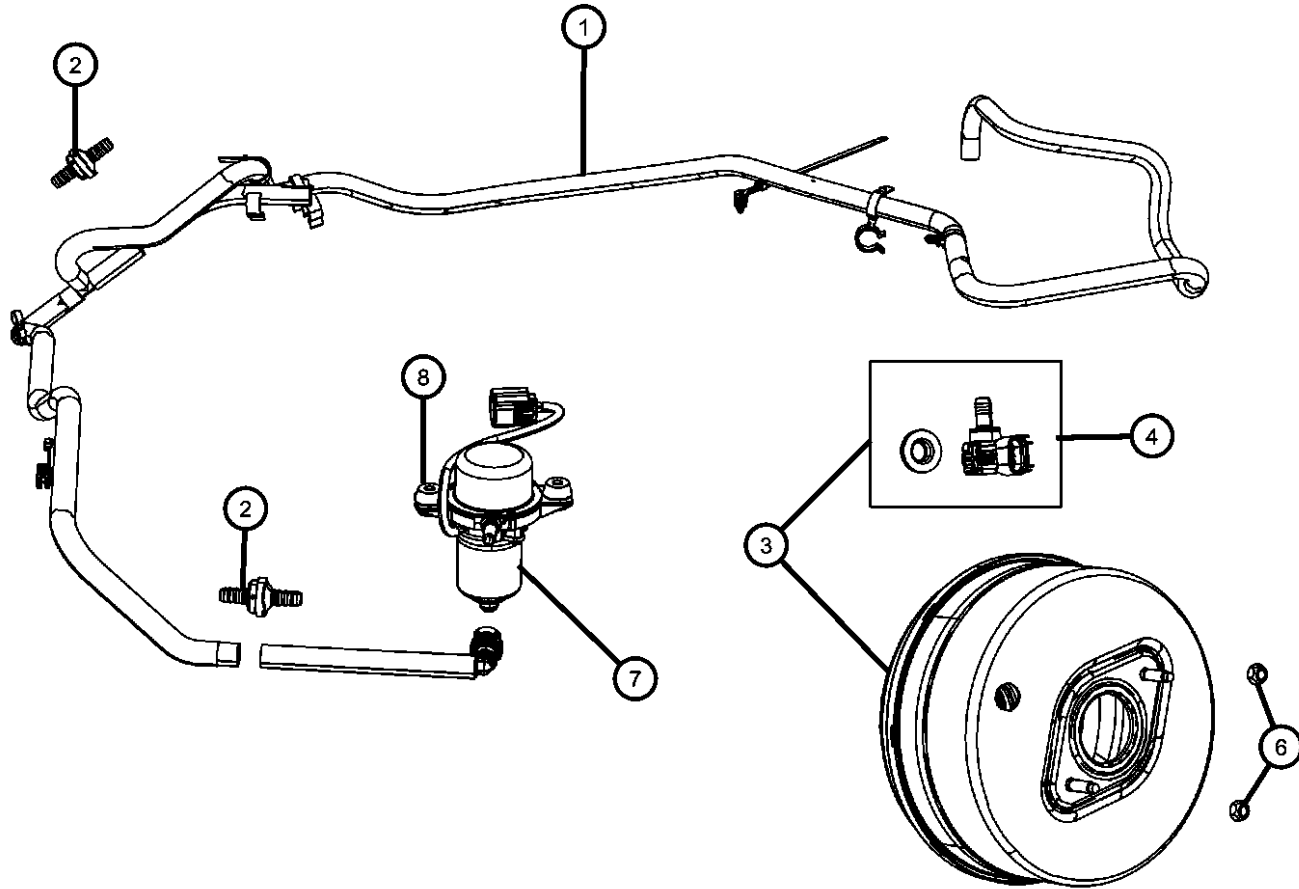
ENGINE
ERB = 3.0L V6 Engine
EZH = 5.7L V8 HEMI MDS VVT Engine
EXF = 3.0L V6 Turbo Diesel Engine

TRANSMISSION
DGQ = 5-Spd Automatic 545RFE Transmission
DGJ = 5-Speed Auto W5A580 Transmission

AR = use ase required - = Non illustrated part

2011 WK

**Booster and Pump, Vacuum Power Brake
Figure 5-310**



ITEM	PART NUMBER	QTY	LINE	SERIES	BODY	ENGINE	TRANS	TRIM	DESCRIPTION
1									HOSE, Brake Booster Vacuum
	04779615AD	1	U		74				[EZ0]
	04779616AC	1	U		74				[EX0]
	04779613AE	1	U		74				[ER0]
	52124749AE	1	J, T		74				[ER0]
	52124752AD	1	J, T		74				[EZ0]
	52124751AC	1	J, T		74				[EX0]
2									VALVE, Check
	04581482AA	1	J, T		74				In-Line Check Valve, Brake Booster Vacuum Hose
		2	U		74				In-Line Check Valve, Brake Booster Vacuum Hose
3	04560182AA	1	J, T, U		74				BOOSTER, Power Brake
4	68053596AA	1	J, T, U		74				VALVE, Brake Booster Check
-5		1							GASKET, Booster To Dash, (NOT SERVICED)
6	06104716AB	5	J, T, U		74				NUT, Hex Flange Lock, M8X1.25
7	05154322AA	1	J, T, U		74				PUMP, Air, Electric Vacuum Pump, Vacuum Pump
8	68004878AA	2	J, T, U		74				NUT, Hex, M6x1.00, Vacuum Pump to Bracket, Vacuum Pump Mounting

GRAND CHEROKEE (WK)

SERIES LINE
H = HIGHLINE T = JEEP - 2WD
P = PREMIUM J = JEEP - 4WD
S = SPORT U = JEEP - 4WD (RHD)

BODY
74 = SPORT UTILITY 4-DR
TYPE #4

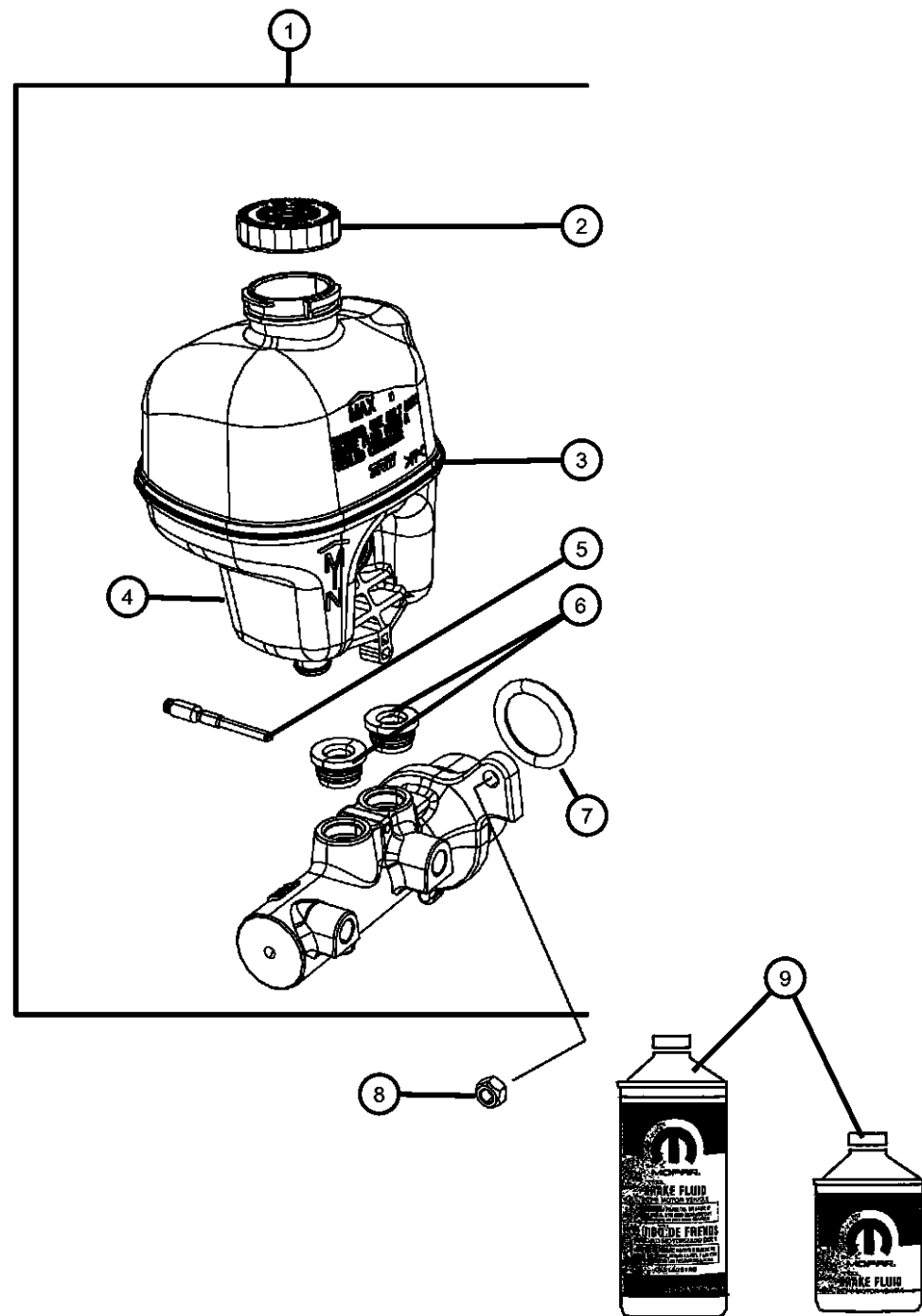
ENGINE
ERB = 3.XL Mid V6 Engine
EZH = 5.7L V8 HEMI MDS
VVT Engine
EXF = 3.0L V6 Turbo Diesel
Engine

TRANSMISSION
DGQ = 5-Spd Automatic 545RFE
Transmission
DGJ = 5-Speed Auto W5A580
Transmission

AR = use ase required - = Non illustrated part

2011 WK

**Master Cylinder, Brake
Figure 5-410**



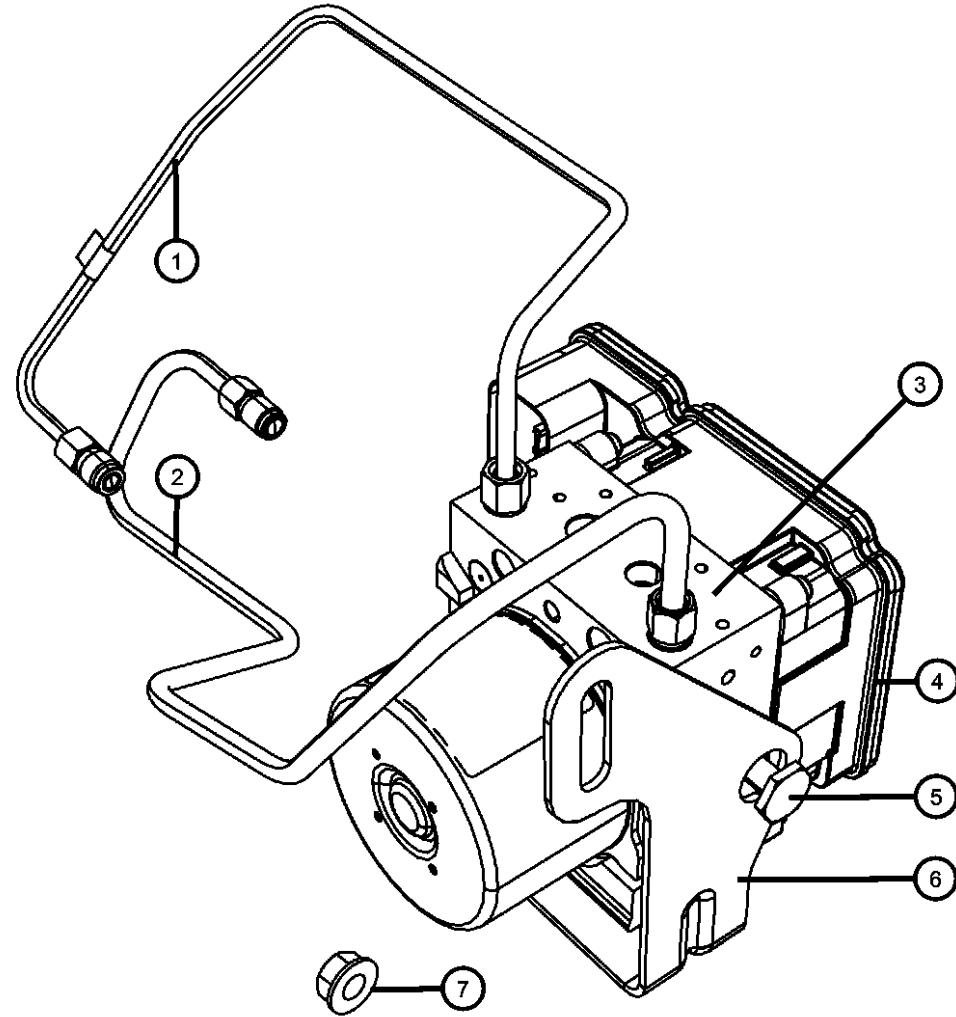
ITEM	PART NUMBER	QTY	LINE	SERIES	BODY	ENGINE	TRANS	TRIM	DESCRIPTION
1	04560183AA	1	J, T, U		74				MASTER CYLINDER, Brake
2	05072525AA	1	J, T, U		74				CAP, Master Cylinder Reservoir
3	04560184AA	1	J, T, U		74				RESERVOIR, Brake Master Cylinder
4	68102030AA	1	J, T, U		74				SENSOR, Brake Fluid Level
5	05080890AA	1	J, T, U		74				SCREW, Master Cylinder to Reservoir
6	68003259AA	2	J, T, U		74				GROMMET KIT, Master Cylinder to Reservoir
7		2							SEAL, Master Cylinder To Booster, Serviced with Reservoir, (NOT SERVICED)
8	05183872AA	2	J, T, U		74				NUT, Hex Lock
9	04318080AC	AR	J, T, U		74				FLUID, Brake, Standard MS-4574, [12 Fluid Ounces] Minimum Shipment of 24

GRAND CHEROKEE (WK)

SERIES	LINE	BODY	ENGINE	TRANSMISSION
H = HIGHLINE	T = JEEP - 2WD	74 = SPORT UTILITY 4-DR	ERB = 3.0L Mid V6 Engine	DGQ = 5-Spd Automatic 545RFE
P = PREMIUM	J = JEEP - 4WD	TYPE #4	EZH = 5.7L V8 HEMI MDS	Transmission
S = SPORT	U = JEEP - 4WD (RHD)		VVT Engine	DGJ = 5-Speed Auto W5A580
			EXF = 3.0L V6 Turbo Diesel	Transmission
			Engine	

AR = use ase required - = Non illustrated part

**HCU and Tubes to Master Cylinder
Figure 5-510**



ITEM	PART NUMBER	QTY	LINE	SERIES	BODY	ENGINE	TRANS	TRIM	DESCRIPTION
1									TUBE ASSEMBLY, BRAKE, Master Cylinder to HCU, Secondary
	52124729AD	1	J, T		74				
	52124957AD	1	U		74				
2									TUBE ASSEMBLY, BRAKE, Master Cylinder to HCU, Primary
	52124728AD	1	J, T		74				
	52124956AD	1	U		74				
3									CONTROL UNIT, Anti-Lock Brake
	68085389AA	1	J, T		74				[EXF], [NHM]
		1	U		74				[NHM], Right Hand Drive
		1	J, T, U		74				[ERB] Or [EZH], With [NHM]
	68085397AA	1	J, T, U		74				[NHP]
		1	J, T, U		74				[ERB] Or [EZH], With [NHP]
4									MODULE, Anti-Lock Brake System
	68085387AB	1	J, T		74				[EXF], [NHM]
		1	U		74				[NHM], Right Hand Drive
	68085396AB	1	J, T, U		74				[NHP]
	68085396AC	1	J, T, U		74				[ERB] Or [EZH], With [NHP]
	68085398AE	1	J, T, U		74				[ERB] Or [EZH], With [NHM]
5									SCREW, Hex Head
	68085393AA	3	J, T		74				
		3	J, T, U		74				[NHM] With [SER] And/Or [DSF]
		3	J, T, U		74				[NHP]
		3	J, T, U		74				[NHM] Without [SER] And/Or [DSF]
		3	J, T, U		74				[NHM]
6									BRACKET, Hydraulic Control Unit
	68085390AA	1	J, T		74				[NHM]
		1	J, T, U		74				[NHP]
		1	J, T		74				[EXF], [NHM]
		1	U		74				[NHM], Right Hand Drive
7	06101831	3	J, T, U		74				NUT, Hex Flange, M8x1.25

GRAND CHEROKEE (WK)

SERIES LINE
H = HIGHLINE T = JEEP - 2WD
P = PREMIUM J = JEEP - 4WD
S = SPORT U = JEEP - 4WD (RHD)

BODY
74 = SPORT UTILITY 4-DR
TYPE #4

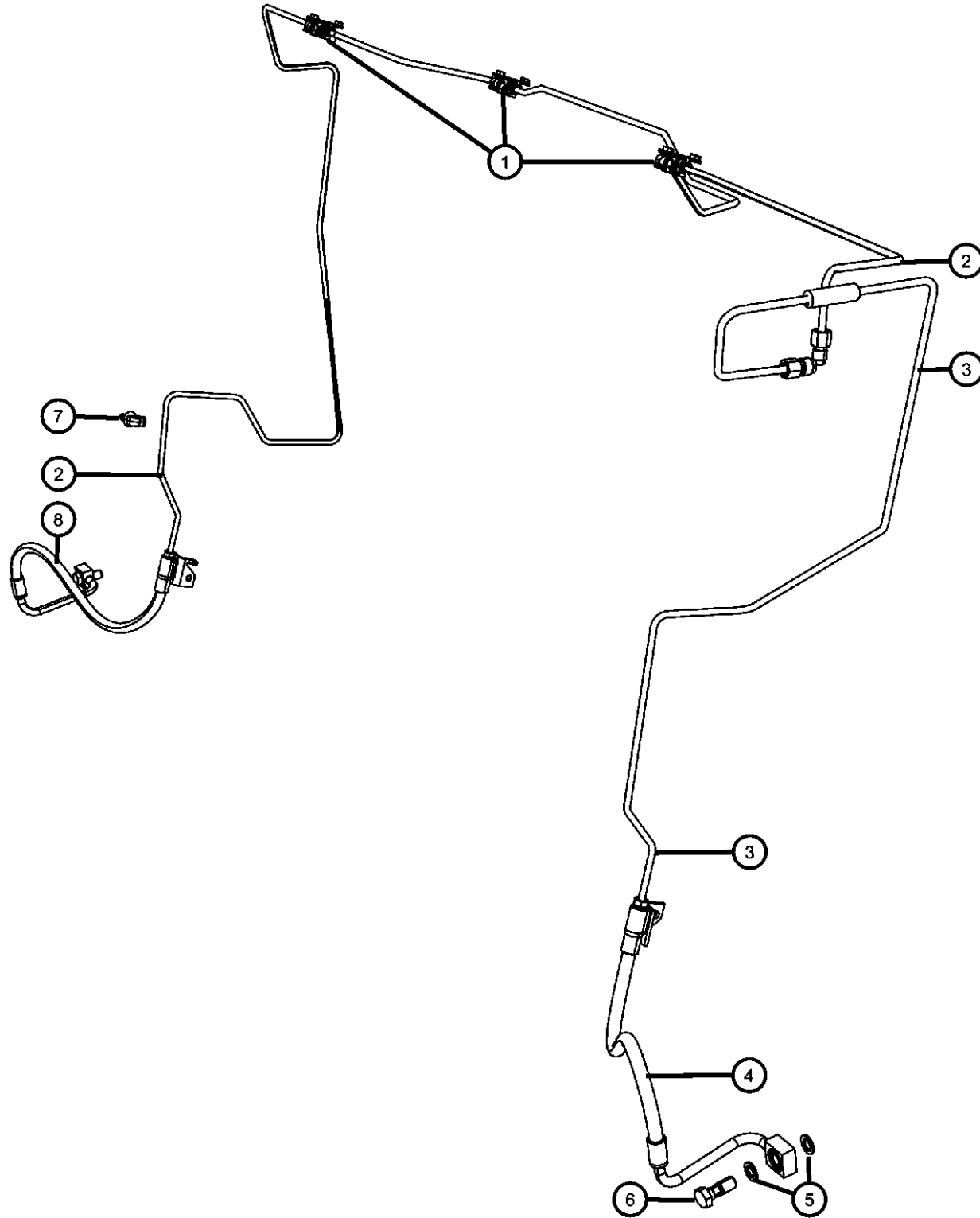
ENGINE
ERB = 3.XL Mid V6 Engine
EZH = 5.7L V8 HEMI MDS
VVT Engine
EXF = 3.0L V6 Turbo Diesel
Engine

TRANSMISSION
DGQ = 5-Spd Automatic 545RFE
Transmission
DGJ = 5-Speed Auto W5A580
Transmission

AR = use ase required - = Non illustrated part

2011 WK

Brake Tubes and Hoses,Front
Figure 5-520



ITEM	PART NUMBER	QTY	LINE	SERIES	BODY	ENGINE	TRANS	TRIM	DESCRIPTION
1	06509097AA	2	J, T, U		74				CLIP, Brake Tube
2									TUBE, Brake, HCU To Right Front Hose
	52124322AC	1	J, T		74				[BRY] [EX0]
	52124730AD	1	J, T, U		74				
3	52124731AD	1	J, T, U		74				TUBE, Brake, HCU To Left Front Hose
4	52124733AF	1	J, T, U		74				HOSE, Brake, Left Front
5	06502114	4	J, T, U		74				GASKET, Brake Hose To Caliper
6	06510161AA	2	J, T, U		74				BOLT, Banjo
7	06509478AA	1	J, T, U		74				CLIP, Brake Tube
8	52124734AF	1	J, T, U		74				HOSE, Brake, Right Front

GRAND CHEROKEE (WK)

SERIES LINE
H = HIGHLINE T = JEEP - 2WD
P = PREMIUM J = JEEP - 4WD
S = SPORT U = JEEP - 4WD (RHD)

BODY
74 = SPORT UTILITY 4-DR
TYPE #4

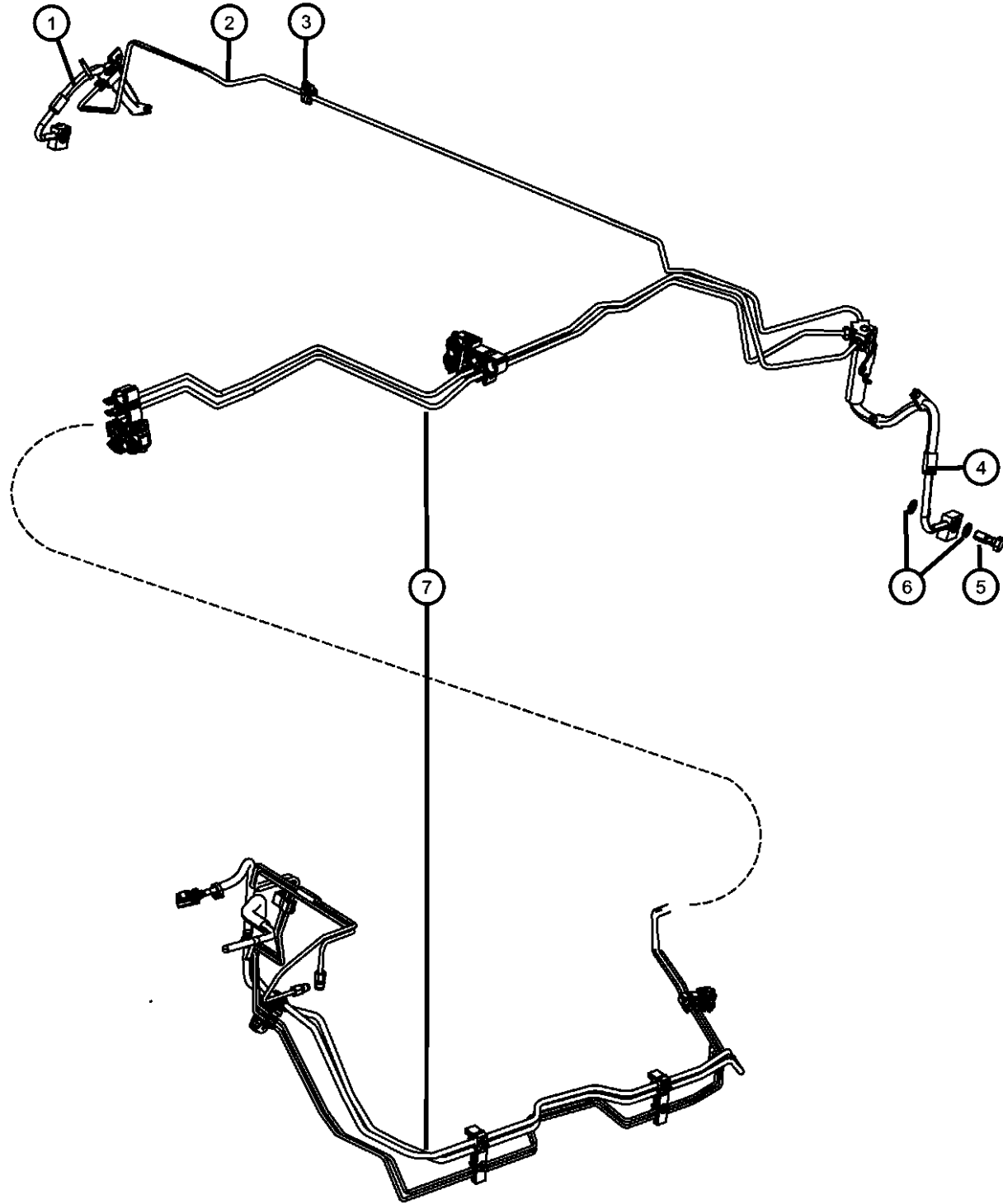
ENGINE
ERB = 3.0L Mid V6 Engine
EZH = 5.7L V8 HEMI MDS
VVT Engine
EXF = 3.0L V6 Turbo Diesel
Engine

TRANSMISSION
DGQ = 5-Spd Automatic 545RFE
Transmission
DGJ = 5-Speed Auto W5A580
Transmission

AR = use ase required - = Non illustrated part

2011 WK

Brake Tubes and Hoses,Rear
Figure 5-530



ITEM	PART NUMBER	QTY	LINE	SERIES	BODY	ENGINE	TRANS	TRIM	DESCRIPTION
1	52124736AD	1	J, T, U		74				HOSE, Brake, Right Rear
2	52124725AD	1	J, T, U		74				TUBE, Brake, Rear Crossover
3	06509097AA	2	J, T, U		74				CLIP, Brake Tube
4	52124735AD	1	J, T, U		74				HOSE, Brake, Left Rear
5	06510161AA	2	J, T, U		74				BOLT, Banjo
6	06502114	4	J, T, U		74				GASKET, Brake Hose To Caliper
7									BUNDLE, Fuel Line
	52124613AF	1	J, T, U		74				[ERB], And/Or [EZH]
	52124614AE	1	J, T, U		74				[EXF]

GRAND CHEROKEE (WK)

SERIES LINE
H = HIGHLINE T = JEEP - 2WD
P = PREMIUM J = JEEP - 4WD
S = SPORT U = JEEP - 4WD (RHD)

BODY
74 = SPORT UTILITY 4-DR
TYPE #4

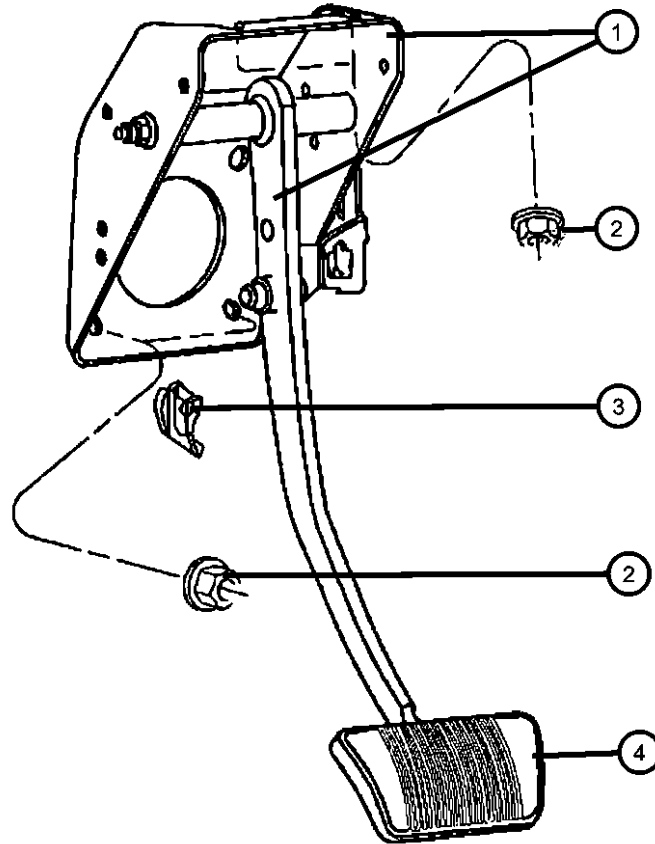
ENGINE
ERB = 3.XL Mid V6 Engine
EZH = 5.7L V8 HEMI MDS
VVT Engine
EXF = 3.0L V6 Turbo Diesel
Engine

TRANSMISSION
DGQ = 5-Spd Automatic 545RFE
Transmission
DGJ = 5-Speed Auto W5A580
Transmission

AR = use ase required - = Non illustrated part

2011 WK

**Pedal, Brake, Non Adjustable [XA8]
Figure 5-610**



ITEM	PART NUMBER	QTY	LINE	SERIES	BODY	ENGINE	TRANS	TRIM	DESCRIPTION
1	52124732AB	1	J, T		74				PEDAL ASSEMBLY, Non Adjustable
	68034340AB	1	U		74				
2	06104716AA	2	J, T, U		74				NUT, Hex Flange Lock, M8X1.25
3	06035334	1	J, T, U		74				CLIP, Master Cylinder Push Rod Pin
4	68069625AA	1	U		74				PAD, Pedal
		1	J, T		74				

GRAND CHEROKEE (WK)

SERIES LINE
H = HIGHLINE T = JEEP - 2WD
P = PREMIUM J = JEEP - 4WD
S = SPORT U = JEEP - 4WD (RHD)

BODY
74 = SPORT UTILITY 4-DR
TYPE #4

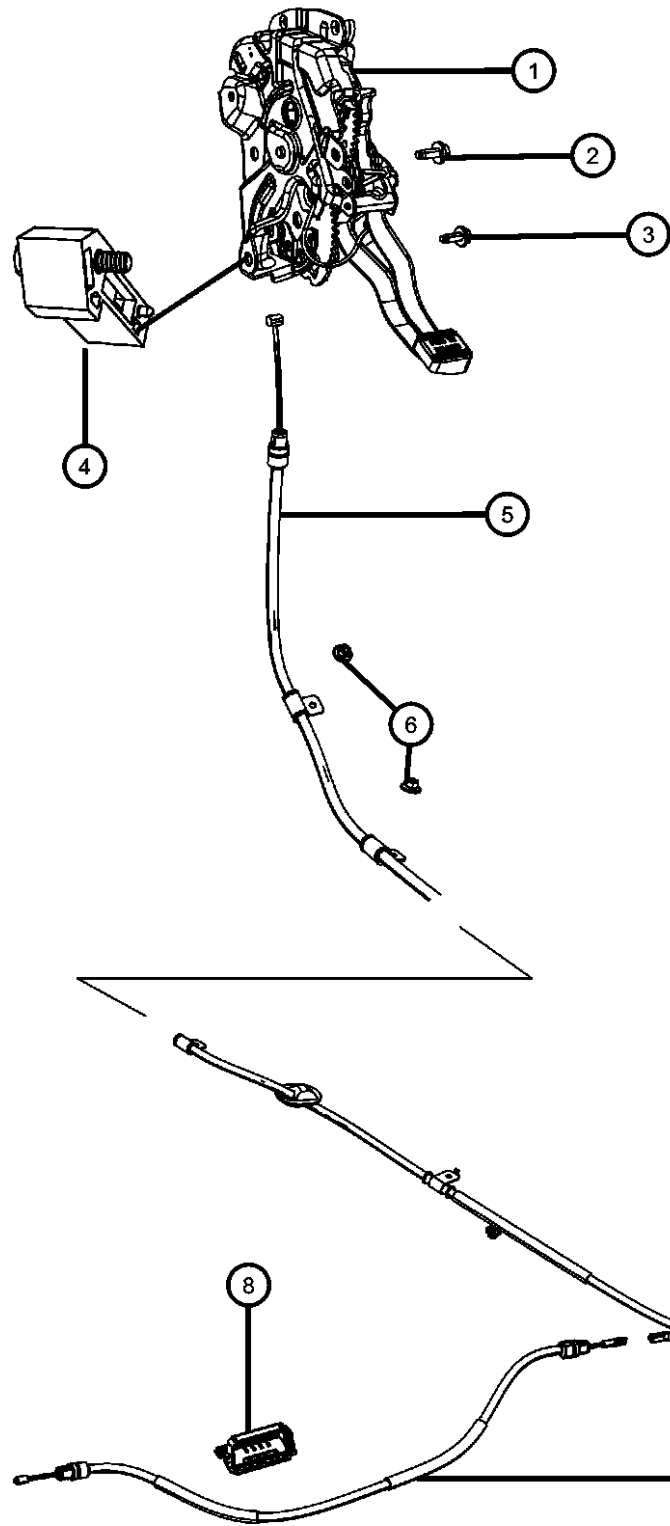
ENGINE
ERB = 3.XL Mid V6 Engine
EZH = 5.7L V8 HEMI MDS
VVT Engine
EXF = 3.0L V6 Turbo Diesel
Engine

TRANSMISSION
DGQ = 5-Spd Automatic 545RFE
Transmission
DGJ = 5-Speed Auto W5A580
Transmission

AR = use ase required - = Non illustrated part

2011 WK

Park Brake Lever and Front and Rear Cables
Figure 5-710



ITEM	PART NUMBER	QTY	LINE	SERIES	BODY	ENGINE	TRANS	TRIM	DESCRIPTION
1	04779627AD	1	J, T		74				LEVER ASSEMBLY, Parking Brake
	04779628AD	1	U		74				
2	06104386AA	2	J, T		74				BOLT AND WASHER, Hex Head, M8X1.25X25.00, Parking Brake Assembly To Cowl Side
3	06104384AA	4	U		74				
4	04221463	1	U		74				SWITCH, Parking Brake
		1	J, T		74				
5	52124961AB	1	J, T		74				CABLE, Parking Brake, Front
	52124962AB	1	U		74				
6	06104725AA	5	J, T		74				NUT AND WASHER, Hex, M6X1.00 Park Brake Cable To Rail
		7	U		74				
7	06101445	1	J, T		74				NUT AND WASHER, Hex, M8x1.25 Parking Brake Assembly To Cowl Side
		2	U		74				
8	04779683AA	1	J, T, U		74				GUIDE, Parking Brake Cable Left Right
		1	J, T, U		74				
9	04779663AB	1	J, T, U		74				CABLE, Parking Brake Right Rear Left Rear
	52124964AC	1	J, T, U		74				

GRAND CHEROKEE (WK)

SERIES LINE
H = HIGHLINE T = JEEP - 2WD
P = PREMIUM J = JEEP - 4WD
S = SPORT U = JEEP - 4WD (RHD)

BODY
74 = SPORT UTILITY 4-DR
TYPE #4

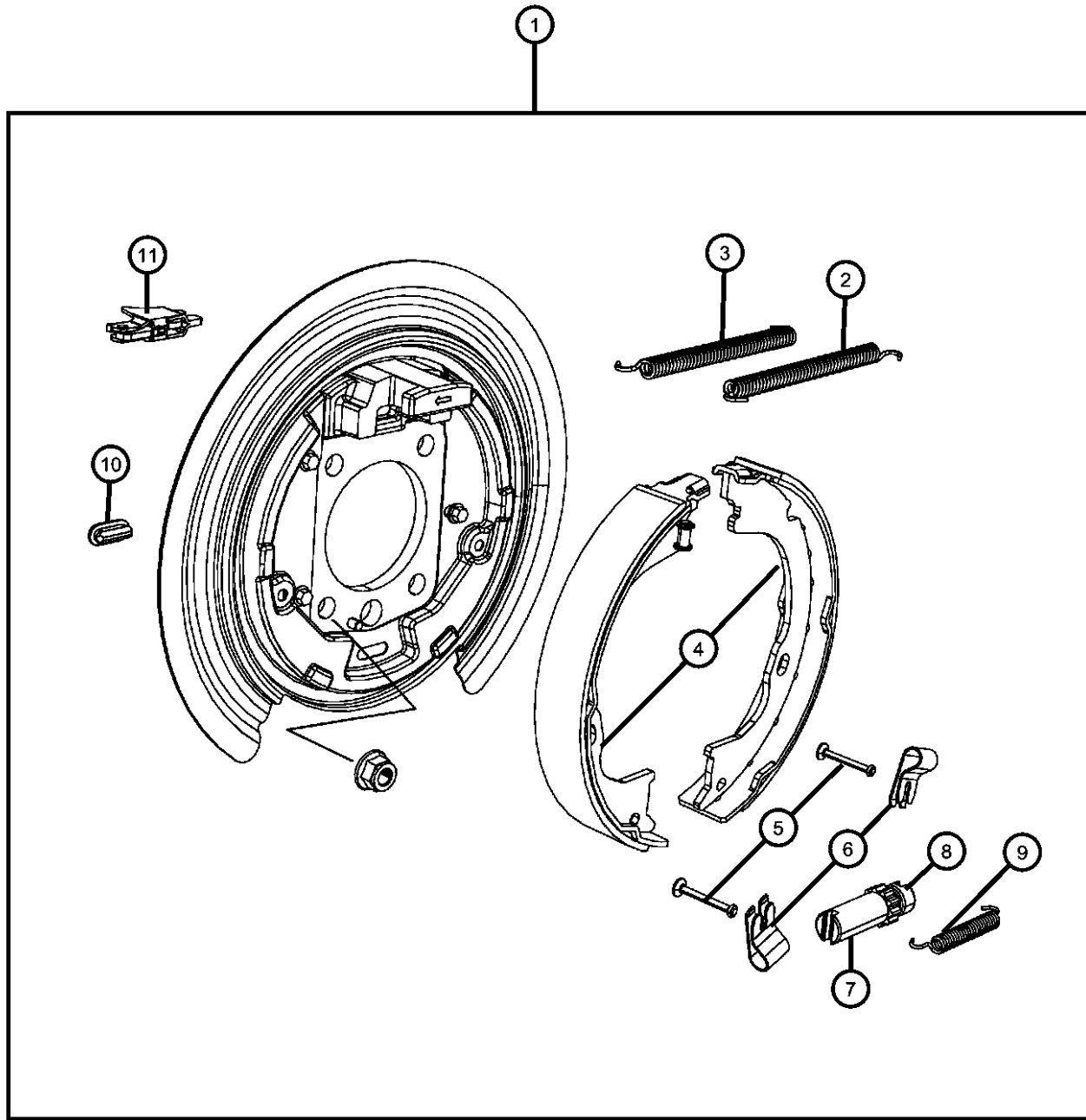
ENGINE
ERB = 3.XL Mid V6 Engine
EZH = 5.7L V8 HEMI MDS
VVT Engine
EXF = 3.0L V6 Turbo Diesel
Engine

TRANSMISSION
DGQ = 5-Spd Automatic 545RFE
Transmission
DGJ = 5-Speed Auto W5A580
Transmission

AR = use ase required - = Non illustrated part

2011 WK

**Park Brake Assembly,Rear Disc
Figure 5-730**



ITEM	PART NUMBER	QTY	LINE	SERIES	BODY	ENGINE	TRANS	TRIM	DESCRIPTION
1	52124968AD	1	J, T, U		74				ADAPTER ASSEMBLY, Parking Brake Right
	52124969AD	1	J, T, U		74				Left
2	04560180AA	1	J, T, U		74				SPRING, Brake Shoe Return, Spring - Upper Return #1
3	04560181AA	1	J, T, U		74				SPRING, Brake Shoe Return, Spring - Upper Return #2
4	04560176AA	1	J, T, U		74				SHOE AND LINING KIT, Parking Brake
5	05080570AB	2	J, T, U		74				PIN, Brake Shoe Hold Down
6	05114192AA	2	J, T, U		74				CLIP, Brake Shoe Hold Down
7	04560177AA	1	J, T, U		74				ADJUSTER, Parking Brake
8	04560178AA	1	J, T, U		74				SOCKET, Brake Adjusting Screw
9	04383541	1	J, T, U		74				SPRING, Lower Shoe Return
10	04238721	1	J, T, U		74				PLUG, Brake Adjusting Hole
11	04560179AA	1	J, T, U		74				LEVER, Parking Brake, Lever and Link Assembly

GRAND CHEROKEE (WK)

SERIES LINE
H = HIGHLINE T = JEEP - 2WD
P = PREMIUM J = JEEP - 4WD
S = SPORT U = JEEP - 4WD (RHD)

BODY
74 = SPORT UTILITY 4-DR
TYPE #4

ENGINE
ERB = 3.XL Mid V6 Engine
EZH = 5.7L V8 HEMI MDS
VVT Engine
EXF = 3.0L V6 Turbo Diesel
Engine

TRANSMISSION
DGQ = 5-Spd Automatic 545RFE
Transmission
DGJ = 5-Speed Auto W5A580
Transmission

AR = use ase required - = Non illustrated part

2011 WK

Group - 7

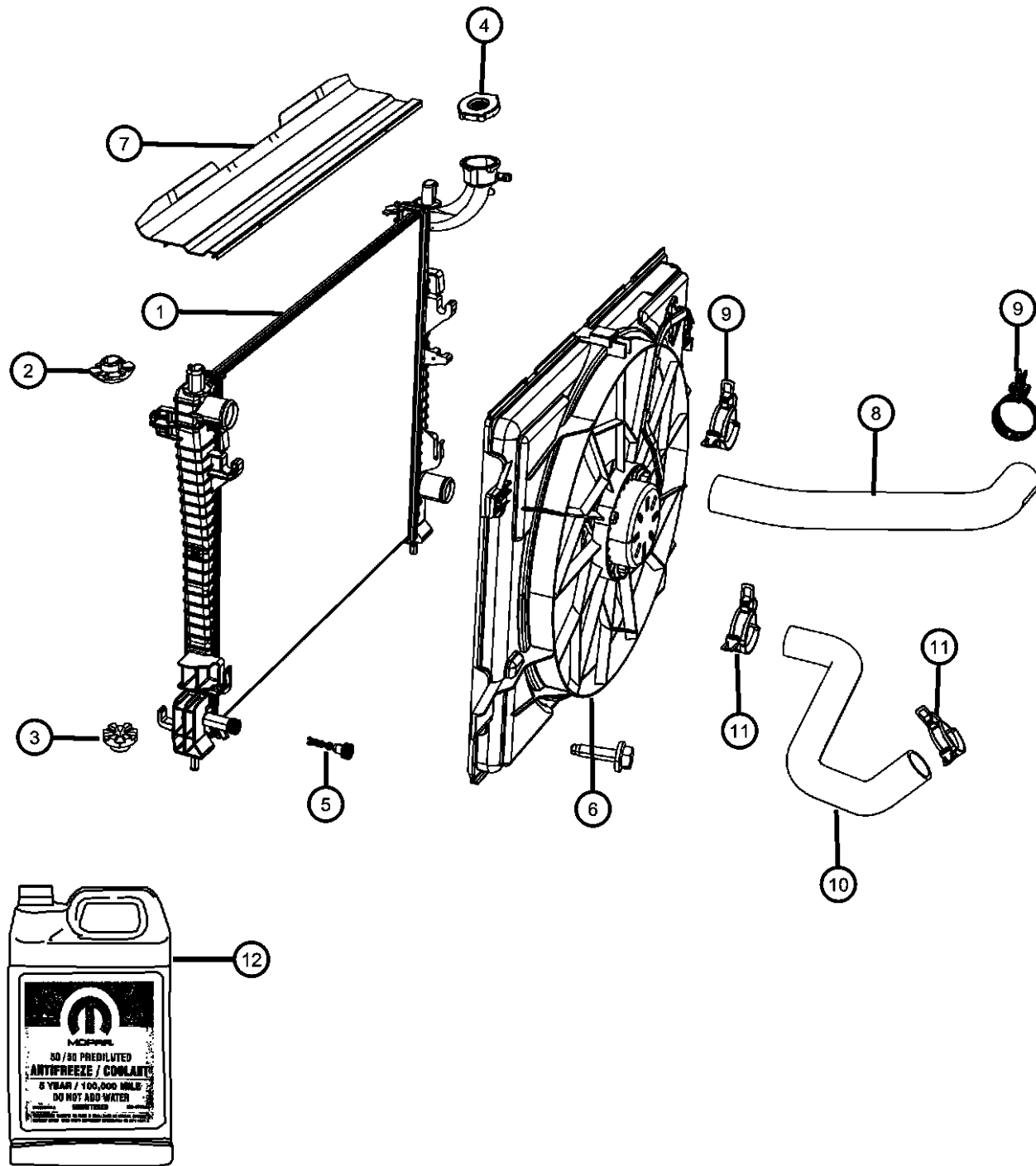
Cooling

Group - 7 Cooling

Illustration Title	Group-Fig. No.
Radiator and Related Parts; Charge Air Cooler	
Radiator and Related Parts Gas	Fig. 7 - 110
Radiator and Related Parts Gas	Fig. 7 - 115
Radiator Support	Fig. 7 - 150
Water Pump and Related Parts	
Water Pump and Related Parts	Fig. 7 - 205
Water Pump and Related Parts	Fig. 7 - 210
Thermostat and Related Parts	Fig. 7 - 250
Thermostat and Related Parts	Fig. 7 - 255
Engine Coolant Reservoir (Bottle)	
Coolant Recovery Bottle	Fig. 7 - 310
Pulleys and Related Parts	
Pulleys and Related Parts Gas	Fig. 7 - 410
Pulleys and Related Parts Gas	Fig. 7 - 415
Drive Belts	
Belts, Serpentine and V-Belts Gas	Fig. 7 - 510
Belts, Serpentine and V-Belts Gas	Fig. 7 - 515
Transmission Oil Cooler, and Lines	
Transmission Oil Cooler and Lines	Fig. 7 - 605

007-100 Radiator and Related Parts; Charge Air Cooler	007-200 Water Pump and Related Parts	007-300 Engine Coolant Reservoir (Bottle)	007-400 Pulleys and Related Parts
007-500 Drive Belts	007-600 Transmission Oil Cooler, and Lines		

Radiator and Related Parts Gas
Figure 7-110



ITEM	PART NUMBER	QTY	LINE	SERIES	BODY	ENGINE	TRANS	TRIM	DESCRIPTION
1	55038185AE	1	J, T, U			ER0			RADIATOR, Engine Cooling
2	68084175AA	1	J, T, U			ER0			ISOLATOR, Radiator, Upper
3	68084176AA	1	J, T, U			ER0			ISOLATOR, Radiator, Lower
4	04596198	1	J, T, U			ER0			CAP, Radiator
5	05140661AA	1	J, T, U			ER0			DRAINCOCK, Radiator
6	55037992AD	1	J, T, U			ER0			FAN MODULE, Radiator Cooling
7	55038189AA	1	J, T, U			ER0			SEAL, Radiator Upper
8	55038022AA	1	J, T, U			ER0			HOSE, Radiator Inlet
9	04809147AA	2	J, T, U			ER0			CLAMP, Hose, 46X15
10	55038121AC	1	J, T, U			ER0			HOSE, Radiator Outlet
11	04809147AA	2	J, T, U			ER0			CLAMP, Hose, 46X15
12	68048953AA	1	J, T, U						ANTIFREEZE, Coolant, Gallon, Standard MS-9769

GRAND CHEROKEE (WK)

SERIES LINE
H = HIGHLINE T = JEEP - 2WD
P = PREMIUM J = JEEP - 4WD
S = SPORT U = JEEP - 4WD (RHD)

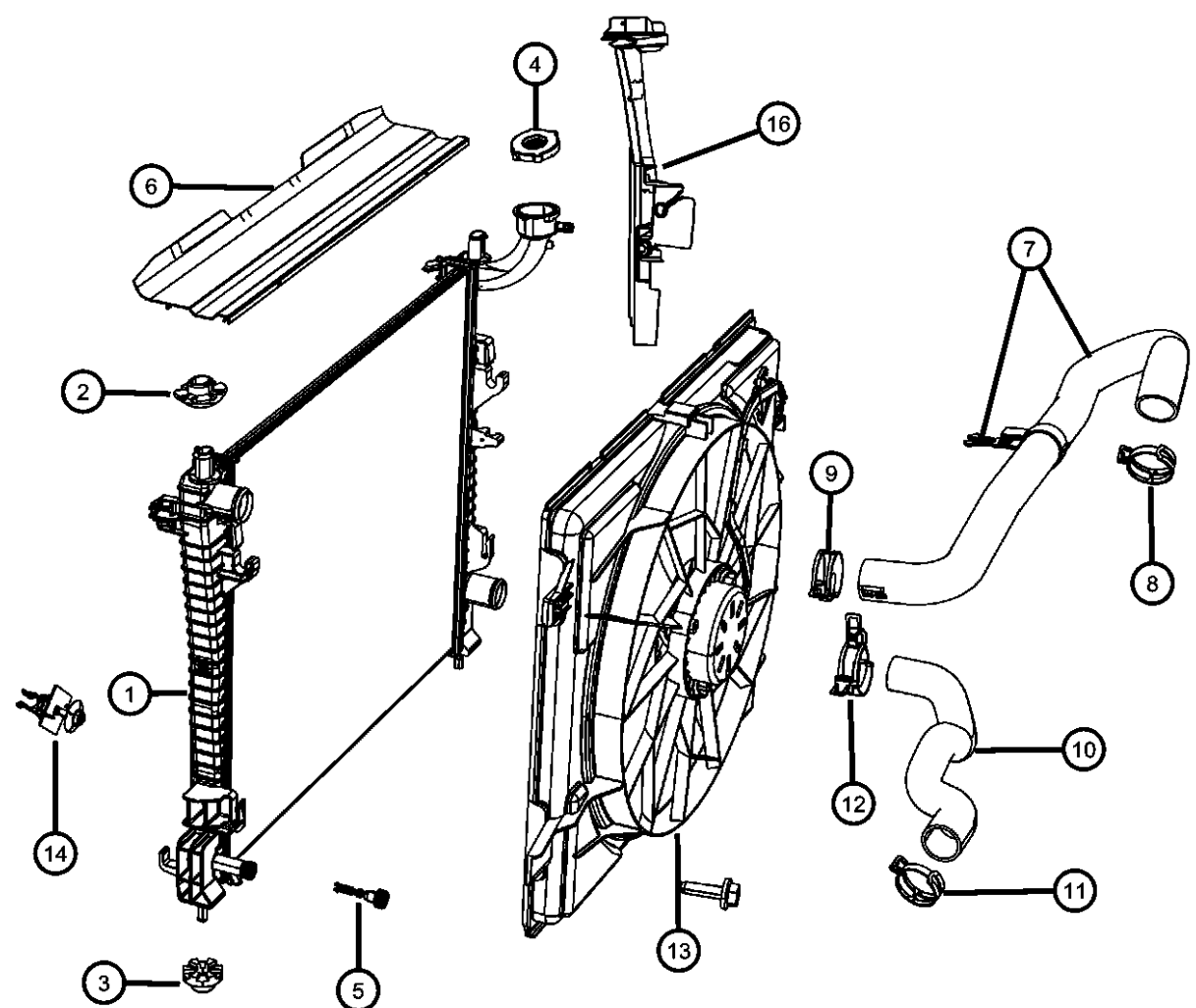
BODY
74 = SPORT UTILITY 4-DR
TYPE #4

ENGINE
ERB = 3.0L Mid V6 Engine
EZH = 5.7L V8 HEMI MDS
VVT Engine
EXF = 3.0L V6 Turbo Diesel
Engine

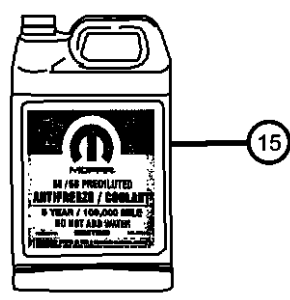
TRANSMISSION
DGQ = 5-Spd Automatic 545RFE
Transmission
DGJ = 5-Speed Auto W5A580
Transmission

AR = use ase required - = Non illustrated part

Radiator and Related Parts Gas
Figure 7-115



ITEM	PART NUMBER	QTY	LINE	SERIES	BODY	ENGINE	TRANS	TRIM	DESCRIPTION
1	55038001AG	1	J, T, U			EZ0			RADIATOR, Engine Cooling [NMC]
	55038185AE	1	J, T, U			EZ0			Without [NMC]
2	68084175AA	1	J, T, U			EZ0			ISOLATOR, Radiator, Upper
3	68084176AA	1	J, T, U			EZ0			ISOLATOR, Radiator, Lower
4	04596198	1	J, T, U			EZ0			CAP, Radiator
5	05140661AA	1	J, T, U			EZ0			DRAINCOCK, Radiator
6	55038189AA	1	J, T, U			EZ0			SEAL, Radiator Upper
7	55038026AD	1	J, T, U			EZ0			HOSE, Radiator Inlet
8	55056415AA	1	J, T, U			EZ0			CLAMP, Hose, 55X15
9	04809147AA	1	J, T, U			EZ0			CLAMP, Hose, 46X15
10	55038025AA	1	J, T, U			EZ0			HOSE, Radiator Outlet
11	55056415AA	1	J, T, U			EZ0			CLAMP, Hose, 55X15
12	04809147AA	1	J, T, U			EZ0			CLAMP, Hose, 46X15
13	55037992AD	1	J, T, U			EZ0			FAN MODULE, Radiator Cooling Without [NMC]
	55038994AF	1	J, T, U			EZ0			[NMC]
14	68084182AA	1	J, T, U			EZ0			RETAINER PACKAGE, Power Steering Cooler, Contains: Clip and Retainer
15	68048953AA	1	J, T, U						ANTIFREEZE, Coolant, Gallon, Standard MS-9769
16	05156144AA	1	J, T, U			EZ0			BAFFLE, Air Inlet Right
	05156145AA	1	J, T, U			EZ0			Left



GRAND CHEROKEE (WK)

SERIES LINE
 H = HIGHLINE T = JEEP - 2WD
 P = PREMIUM J = JEEP - 4WD
 S = SPORT U = JEEP - 4WD (RHD)

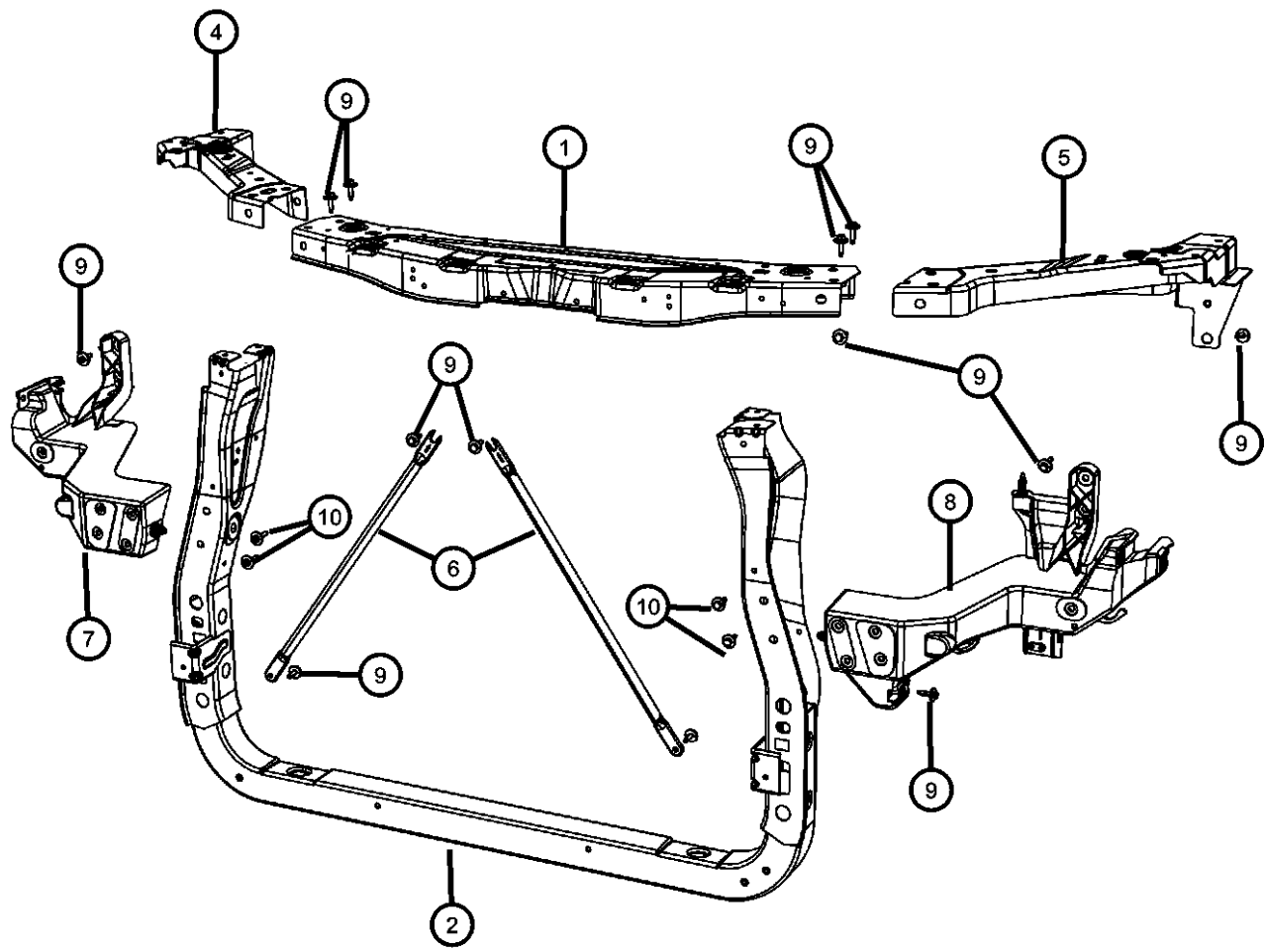
BODY
 74 = SPORT UTILITY 4-DR TYPE #4

ENGINE
 ERB = 3.0L Mid V6 Engine
 EZH = 5.7L V8 HEMI MDS VVT Engine
 EXF = 3.0L V6 Turbo Diesel Engine

TRANSMISSION
 DGQ = 5-Spd Automatic 545RFE Transmission
 DGJ = 5-Speed Auto W5A580 Transmission

AR = use ase required - = Non illustrated part

**Radiator Support
Figure 7-150**



ITEM	PART NUMBER	QTY	LINE	SERIES	BODY	ENGINE	TRANS	TRIM	DESCRIPTION
1	05156109AA	1	J, T, U			ERB, ESG, EZ0			CROSSMEMBER, Radiator
	05156110AA	1	J, T, U			EX0			
2	05156113AA	1	J, T, U			ERB, ESG, EZ0			PANEL, Radiator Closure
	05156114AA	1	J, T, U			EX0			
-3	05182519AA	1	J, T, U						PANEL, CLOSEOUT Left
	05182518AA	1	J, T, U						Right
4	05156116AA	1	J, T, U			EX0			BRACE, Radiator Closure Panel Right
		1	J, T, U			ERB, ESG, EZ0			Right
5	05156117AA	1	J, T, U			EX0			BRACE, Radiator Closure Panel Left
		1	J, T, U			ERB, ESG, EZ0			Left
6	05156112AA	2	J, T, U			EX0			BRACE, Radiator Crossmember
		2	J, T, U			ERB, ESG, EZ0			
7	05156134AA	1	J, T, U			EX0			BRACKET, Headlamp Mounting Right
		1	J, T, U			ERB, ESG, EZ0			Right
8	05156135AA	1	J, T, U			EX0			BRACKET, Headlamp Mounting
		1	J, T, U			ERB, ESG, EZ0			
9	06104368AA	19	J, T, U			EX0			BOLT AND WASHER, Hex Head, M6X1.00X25.00
		19	J, T, U			ERB, ESG, EZ0			
10	06509499AA	8	J, T, U						SCREW AND WASHER, Hex Head, M8x1.25x100, Core support to frame rail

GRAND CHEROKEE (WK)

SERIES LINE
H = HIGHLINE T = JEEP - 2WD
P = PREMIUM J = JEEP - 4WD
S = SPORT U = JEEP - 4WD (RHD)

BODY
74 = SPORT UTILITY 4-DR
TYPE #4

ENGINE
ERB = 3.0L Mid V6 Engine
EZH = 5.7L V8 HEMI MDS
VVT Engine
EXF = 3.0L V6 Turbo Diesel
Engine

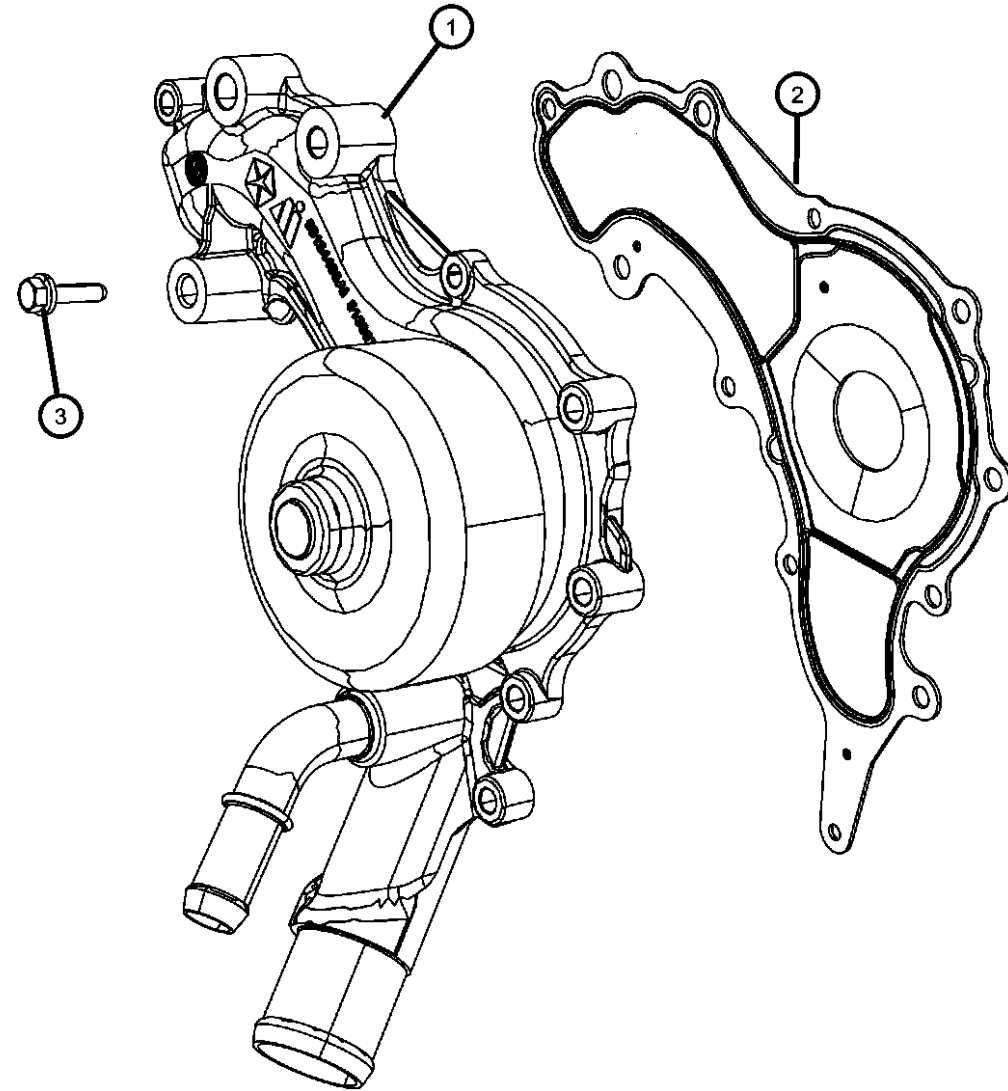
TRANSMISSION
DGQ = 5-Spd Automatic 545RFE
Transmission
DGJ = 5-Speed Auto W5A580
Transmission

AR = use ase required - = Non illustrated part

2011 WK

**Water Pump and Related Parts
Figure 7-205**

ITEM	PART NUMBER	QTY	LINE	SERIES	BODY	ENGINE	TRANS	TRIM	DESCRIPTION
1	05184498AI	1	J, T, U			ERB			PUMP, Water
2	05184321AD	1	J, T, U			ERB			GASKET, Water Pump
3	06102429AA	4	J, T, U			ERB			BOLT AND CONED WASHER, Hex Head, M6X1.00X25.00



GRAND CHEROKEE (WK)

SERIES LINE
H = HIGHLINE T = JEEP - 2WD
P = PREMIUM J = JEEP - 4WD
S = SPORT U = JEEP - 4WD (RHD)

BODY
74 = SPORT UTILITY 4-DR
TYPE #4

ENGINE
ERB = 3.0L Mid V6 Engine
EZH = 5.7L V8 HEMI MDS
VVT Engine
EXF = 3.0L V6 Turbo Diesel
Engine

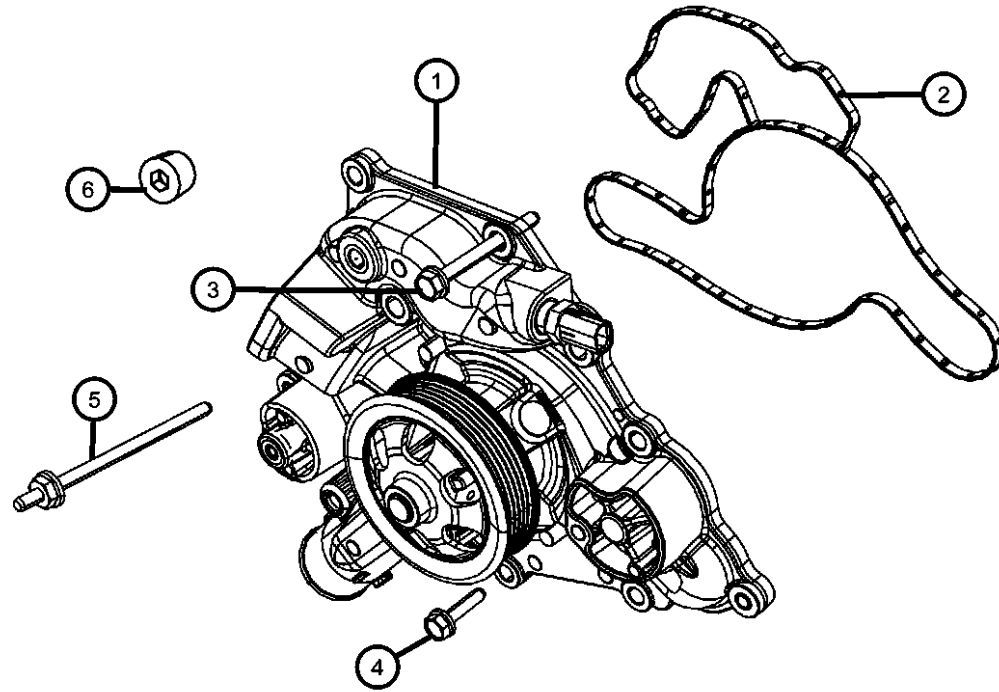
TRANSMISSION
DGQ = 5-Spd Automatic 545RFE
Transmission
DGJ = 5-Speed Auto W5A580
Transmission

AR = use ase required - = Non illustrated part

2011 WK

**Water Pump and Related Parts
Figure 7-210**

ITEM	PART NUMBER	QTY	LINE	SERIES	BODY	ENGINE	TRANS	TRIM	DESCRIPTION
1	53022340AC	1	J, T, U			EZH			PUMP, Water
2	04792922AB	1	J, T, U			EZH			GASKET, Water Pump
3	06102184AA	4	J, T, U			EZH			BOLT AND CONED WASHER, Hex Head, M8X1.25X85.00
4	06506269AA	5	J, T, U			EZH			BOLT AND CONED WASHER, Hex Head, M8X1.25X35.00
5	06506684AA	1	J, T, U			EZH			STUD
6	06036307AA	1	J, T, U			EZH			PLUG, Pipe, .250-18X.413



GRAND CHEROKEE (WK)

SERIES LINE
H = HIGHLINE T = JEEP - 2WD
P = PREMIUM J = JEEP - 4WD
S = SPORT U = JEEP - 4WD (RHD)

BODY
74 = SPORT UTILITY 4-DR
TYPE #4

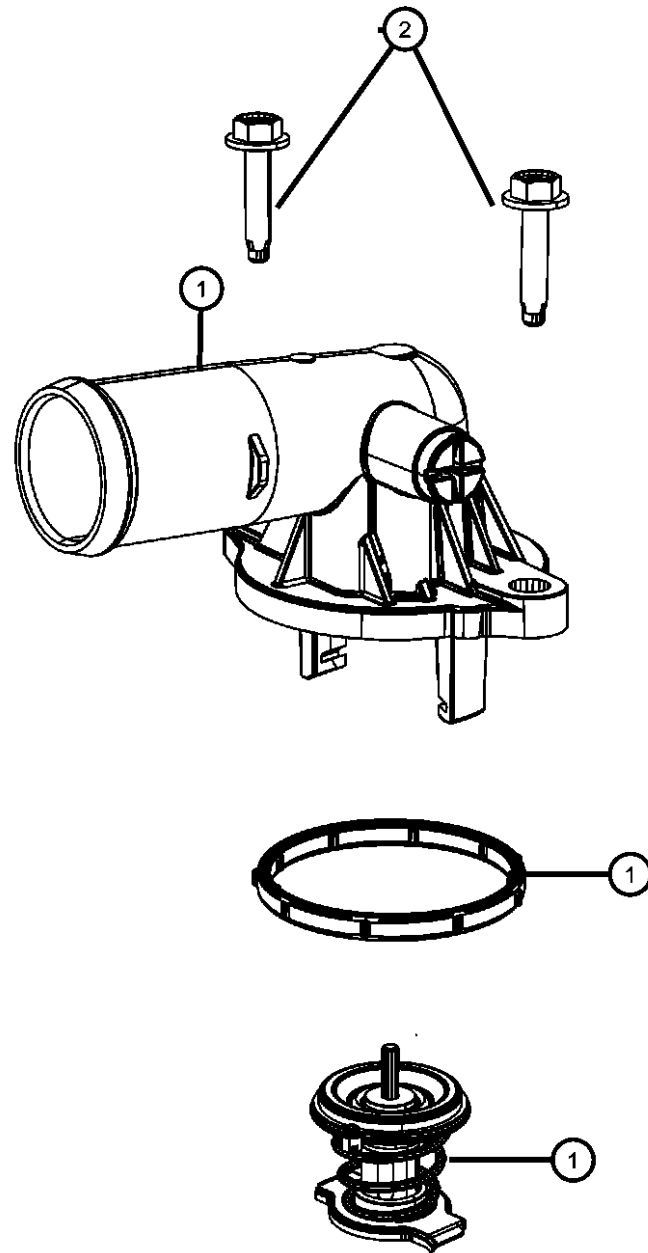
ENGINE
ERB = 3.XL Mid V6 Engine
EZH = 5.7L V8 HEMI MDS
VVT Engine
EXF = 3.0L V6 Turbo Diesel
Engine

TRANSMISSION
DGQ = 5-Spd Automatic 545RFE
Transmission
DGJ = 5-Speed Auto W5A580
Transmission

AR = use ase required - = Non illustrated part

2011 WK

**Thermostat and Related Parts
Figure 7-250**



ITEM	PART NUMBER	QTY	LINE	SERIES	BODY	ENGINE	TRANS	TRIM	DESCRIPTION
1	05184651AF	1	J, T, U			ERB			HOUSING, Thermostat, Comes With Thermostat
2	06507610AA	2	J, T, U			ERB			SCREW AND WASHER, Hex Head, M6X1.00X30.00

GRAND CHEROKEE (WK)

SERIES LINE
H = HIGHLINE T = JEEP - 2WD
P = PREMIUM J = JEEP - 4WD
S = SPORT U = JEEP - 4WD (RHD)

BODY
74 = SPORT UTILITY 4-DR
TYPE #4

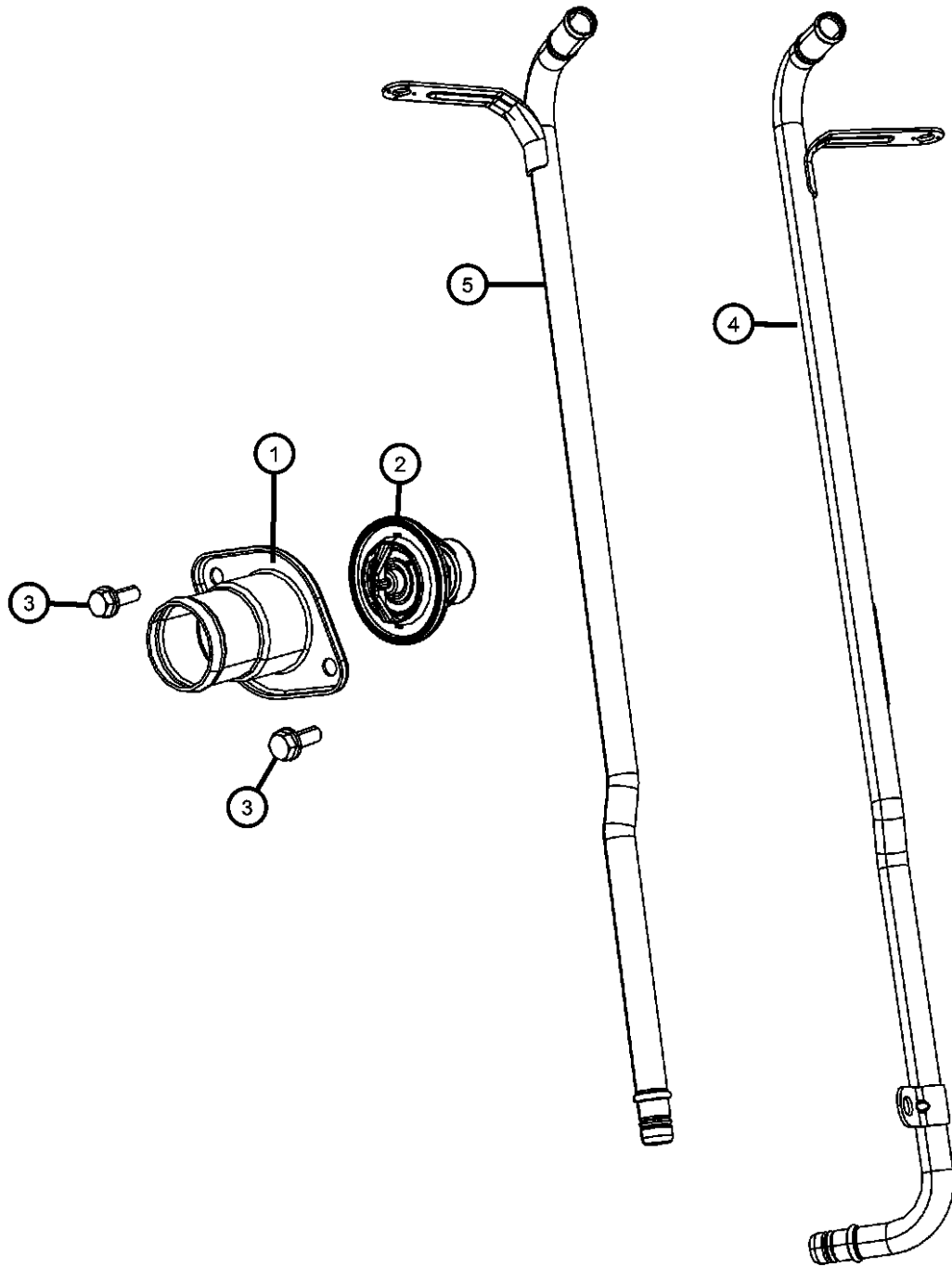
ENGINE
ERB = 3.XL Mid V6 Engine
EZH = 5.7L V8 HEMI MDS
VVT Engine
EXF = 3.0L V6 Turbo Diesel
Engine

TRANSMISSION
DGQ = 5-Spd Automatic 545RFE
Transmission
DGJ = 5-Speed Auto W5A580
Transmission

AR = use ase required - = Non illustrated part

**Thermostat and Related Parts
Figure 7-255**

ITEM	PART NUMBER	QTY	LINE	SERIES	BODY	ENGINE	TRANS	TRIM	DESCRIPTION
1	53021536AC	1	J, T, U			EZH			HOUSING, Thermostat
2	52028898AE	1	J, T, U			EZH			THERMOSTAT
3	06101982	2	J, T, U			EZH			SCREW AND WASHER, Hex Head, M8x1.25x30
4	53034237AB	1	J, T, U			EZH			TUBE, Coolant inlet
5	53034238AB	1	J, T, U			EZH			TUBE, Coolant outlet



GRAND CHEROKEE (WK)

SERIES LINE
H = HIGHLINE T = JEEP - 2WD
P = PREMIUM J = JEEP - 4WD
S = SPORT U = JEEP - 4WD (RHD)

BODY
74 = SPORT UTILITY 4-DR
TYPE #4

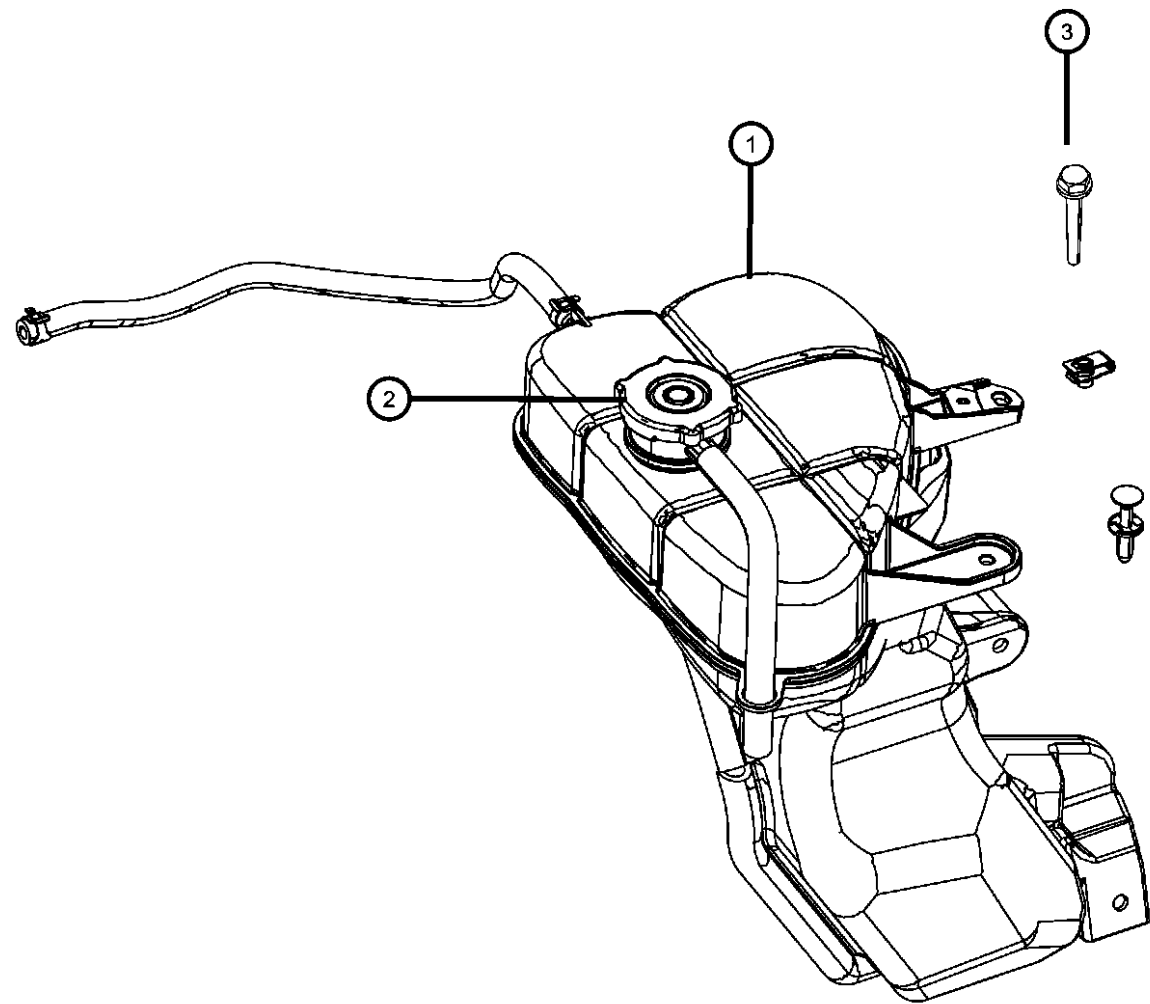
ENGINE
ERB = 3.XL Mid V6 Engine
EZH = 5.7L V8 HEMI MDS
VVT Engine
EXF = 3.0L V6 Turbo Diesel
Engine

TRANSMISSION
DGQ = 5-Spd Automatic 545RFE
Transmission
DGJ = 5-Speed Auto W5A580
Transmission

AR = use ase required - = Non illustrated part

2011 WK

**Coolant Recovery Bottle
Figure 7-310**



ITEM	PART NUMBER	QTY	LINE	SERIES	BODY	ENGINE	TRANS	TRIM	DESCRIPTION
1	05165708AA	1	J, T, U			ER0, EZ0			BOTTLE, Coolant Recovery
2	05156130AA	1	J, T, U			ER0, EZ0			CAP, Coolant Recovery Bottle
3	06104368AA	2	J, T, U						BOLT AND WASHER, Hex Head, M6X1.00X25.00, Bottle To Fender

GRAND CHEROKEE (WK)

SERIES LINE
H = HIGHLINE T = JEEP - 2WD
P = PREMIUM J = JEEP - 4WD
S = SPORT U = JEEP - 4WD (RHD)

BODY
74 = SPORT UTILITY 4-DR
TYPE #4

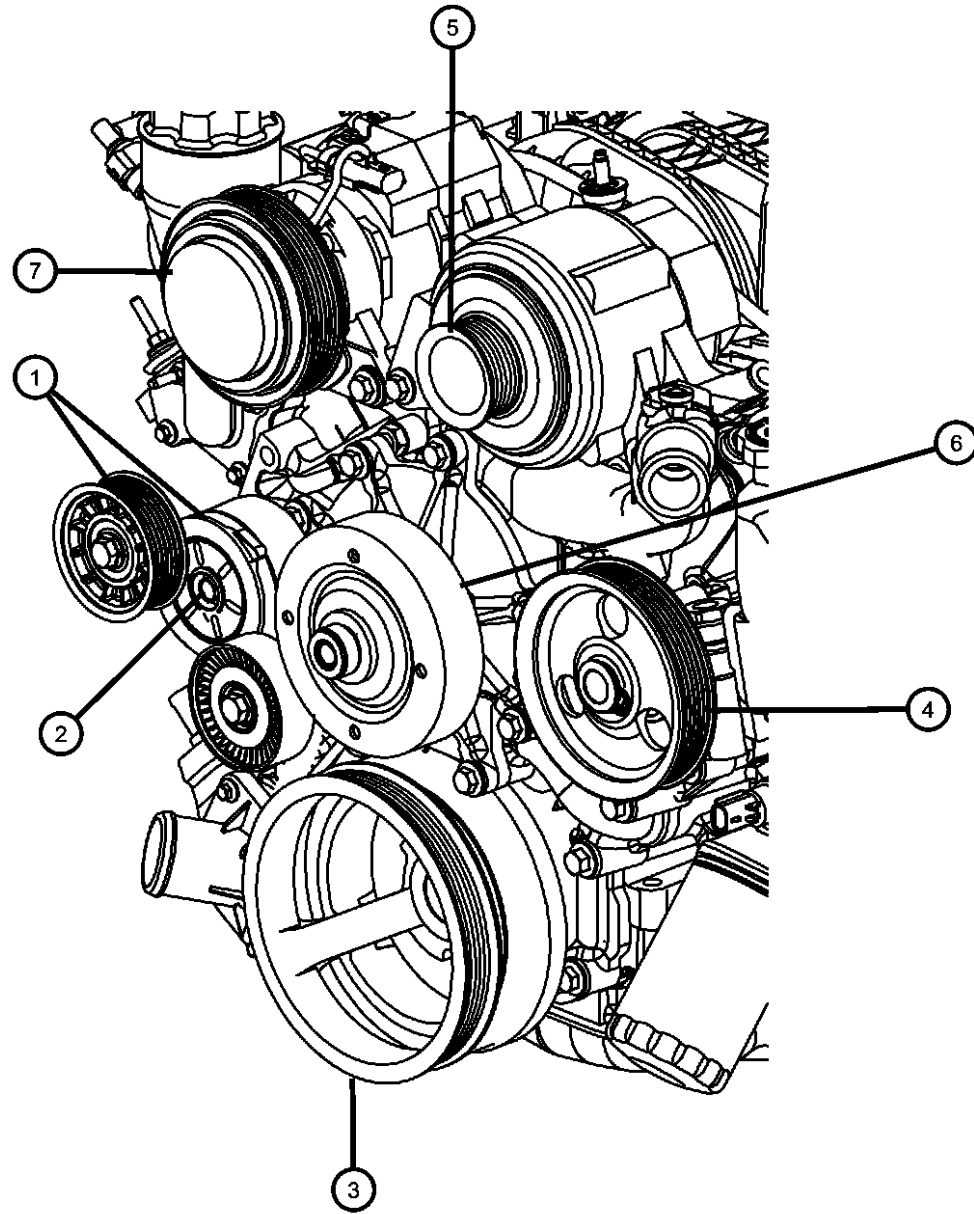
ENGINE
ERB = 3.0L Mid V6 Engine
EZH = 5.7L V8 HEMI MDS
VVT Engine
EXF = 3.0L V6 Turbo Diesel
Engine

TRANSMISSION
DGQ = 5-Spd Automatic 545RFE
Transmission
DGJ = 5-Speed Auto W5A580
Transmission

AR = use ase required - = Non illustrated part

2011 WK

Pulleys and Related Parts Gas
Figure 7-410



ITEM	PART NUMBER	QTY	LINE	SERIES	BODY	ENGINE	TRANS	TRIM	DESCRIPTION
1	05184617AC	1	J, T, U			ERB			TENSIONER, Belt
2	06104227AA	1	J, T, U			ERB			BOLT, Hex Flange Head, M10X1.50X100.00
3		1							PULLEY, Crankshaft, Serviced with Damper group 09, (NOT SERVICED)
4	53013677AB	1	J, T, U			ER0			PULLEY, Power Steering Pump
5		1							PULLEY, Alternator, Serviced with Alternator Only, (NOT SERVICED)
6		1							PULLEY, Water Pump, Serviced with Water Pump, (NOT SERVICED)
7	68084274AA	1	J, T, U			ER0			PULLEY HUB KIT, A/C Compressor

GRAND CHEROKEE (WK)

SERIES LINE
H = HIGHLINE T = JEEP - 2WD
P = PREMIUM J = JEEP - 4WD
S = SPORT U = JEEP - 4WD (RHD)

BODY
74 = SPORT UTILITY 4-DR
TYPE #4

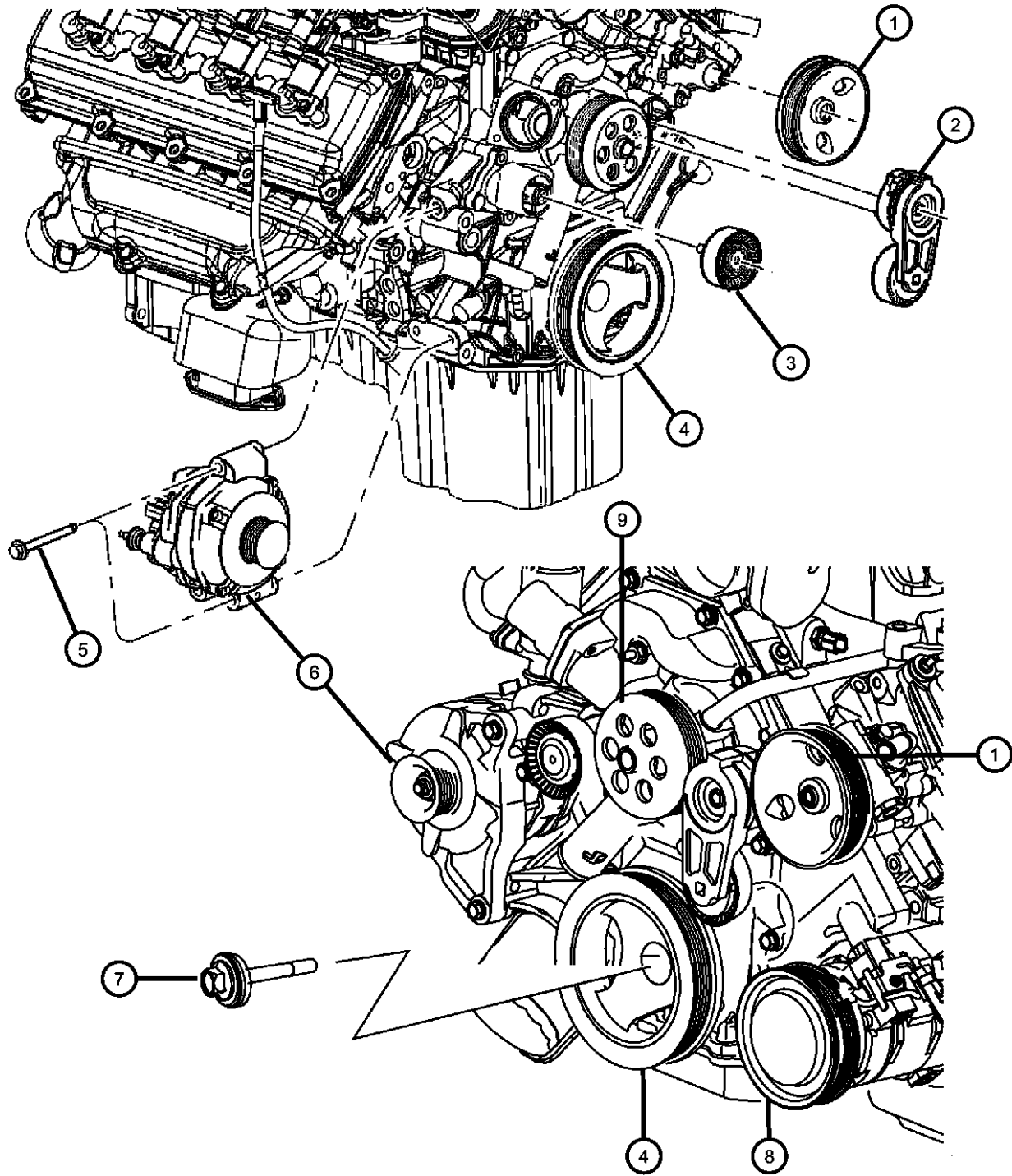
ENGINE
ERB = 3.XL Mid V6 Engine
EZH = 5.7L V8 HEMI MDS
VVT Engine
EXF = 3.0L V6 Turbo Diesel
Engine

TRANSMISSION
DGQ = 5-Spd Automatic 545RFE
Transmission
DGJ = 5-Speed Auto W5A580
Transmission

AR = use ase required - = Non illustrated part

2011 WK

Pulleys and Related Parts Gas
Figure 7-415



ITEM	PART NUMBER	QTY	LINE	SERIES	BODY	ENGINE	TRANS	TRIM	DESCRIPTION
1	68032253AB	1	J, T, U			EZ0			PULLEY, Power Steering Pump
2	04861660AA	1	J, T, U			EZH			TENSIONER, Belt
3	04891720AA	1	J, T, U			EZH			PULLEY, Idler
4		1							PULLEY, Crankshaft, Serviced with Damper 09 group, (NOT SERVICED)
5	06102120AA	2	J, T, U			EZH			SCREW AND WASHER, Hex head, M10X1.50X45.00
6		2							PULLEY, Alternator, Serviced with Alternator, (NOT SERVICED)
7	06508400AA	1	J, T, U			EZH			BOLT AND CONED WASHER, Hex Head, M14X1.5X102.00
8	68084834AA	1	J, T, U			EZ0			PULLEY HUB KIT, A/C Compressor
9		1							PULLEY, Water Pump, Serviced with Water Pump, (NOT SERVICED)

GRAND CHEROKEE (WK)

SERIES LINE
H = HIGHLINE T = JEEP - 2WD
P = PREMIUM J = JEEP - 4WD
S = SPORT U = JEEP - 4WD (RHD)

BODY
74 = SPORT UTILITY 4-DR
TYPE #4

ENGINE
ERB = 3.XL Mid V6 Engine
EZH = 5.7L V8 HEMI MDS
VVT Engine
EXF = 3.0L V6 Turbo Diesel
Engine

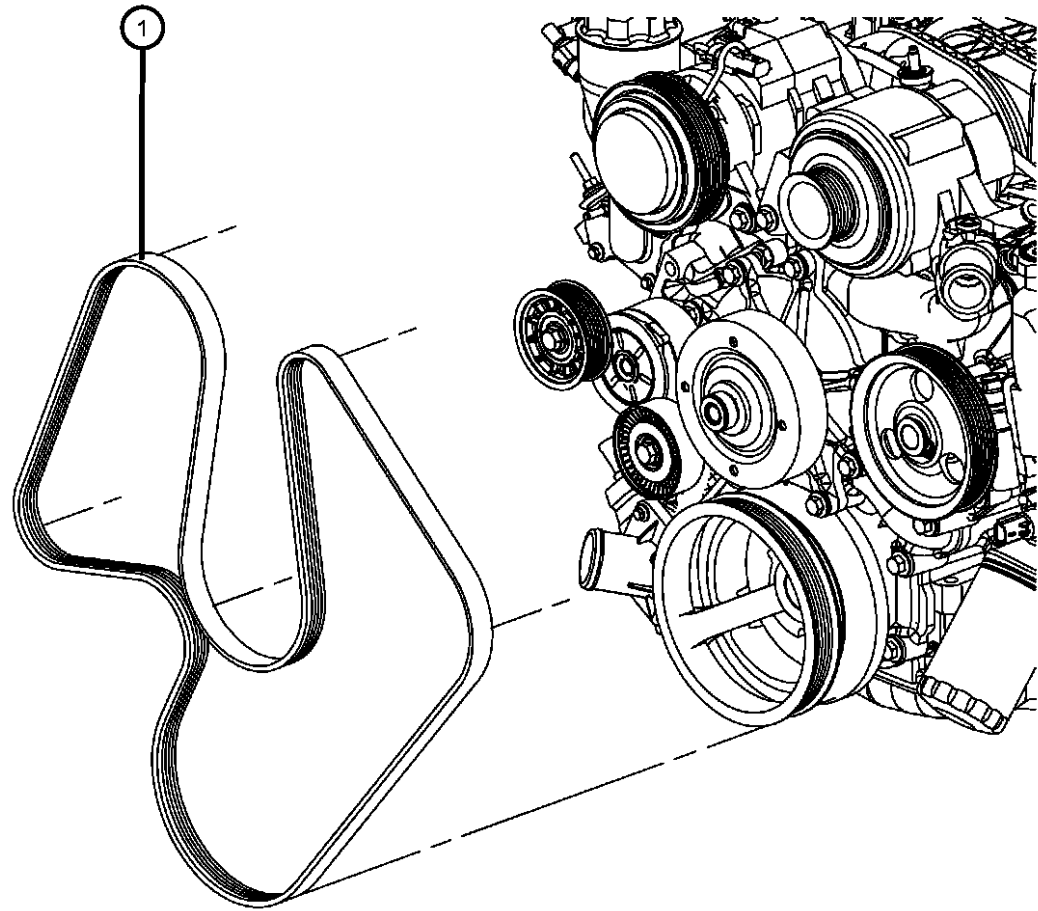
TRANSMISSION
DGQ = 5-Spd Automatic 545RFE
Transmission
DGJ = 5-Speed Auto W5A580
Transmission

AR = use ase required - = Non illustrated part

2011 WK

Belts, Serpentine and V-Belts Gas
Figure 7-510

ITEM	PART NUMBER	QTY	LINE	SERIES	BODY	ENGINE	TRANS	TRIM	DESCRIPTION
1									BELT, Serpentine
	05184646AC	1	J, T, U			ERB			
	05184647AB	1	J, T, U			ERB			[XXE]



GRAND CHEROKEE (WK)

SERIES LINE
H = HIGHLINE T = JEEP - 2WD
P = PREMIUM J = JEEP - 4WD
S = SPORT U = JEEP - 4WD (RHD)

BODY
74 = SPORT UTILITY 4-DR
TYPE #4

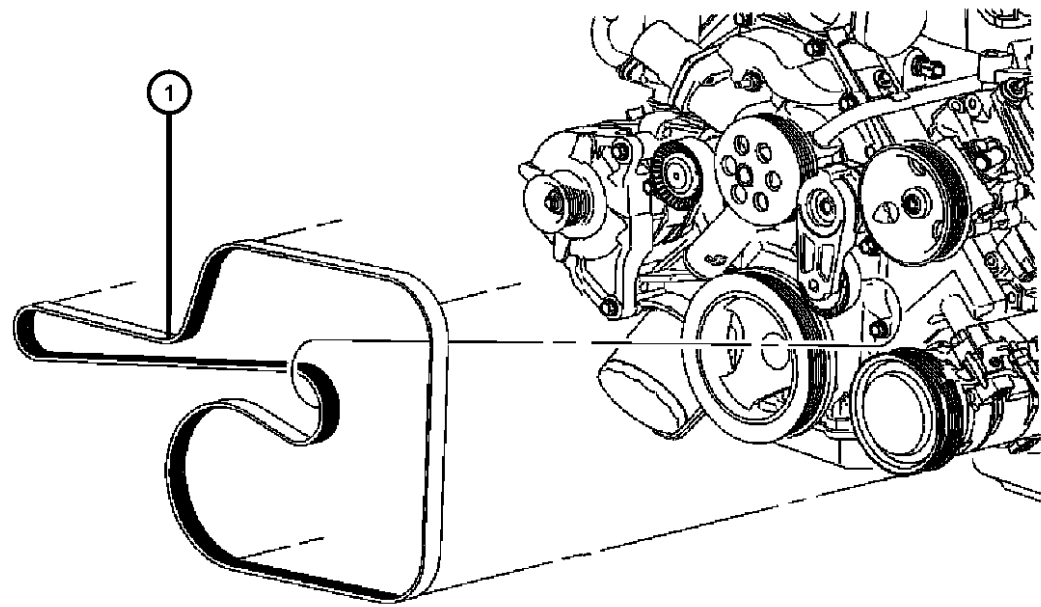
ENGINE
ERB = 3.0L Mid V6 Engine
EZH = 5.7L V8 HEMI MDS
VVT Engine
EXF = 3.0L V6 Turbo Diesel
Engine

TRANSMISSION
DGQ = 5-Spd Automatic 545RFE
Transmission
DGJ = 5-Speed Auto W5A580
Transmission

AR = use ase required - = Non illustrated part

Belts, Serpentine and V-Belts Gas
Figure 7-515

ITEM	PART NUMBER	QTY	LINE	SERIES	BODY	ENGINE	TRANS	TRIM	DESCRIPTION
1	04627031AA	1	J, T, U			EZH			BELT, Serpentine



GRAND CHEROKEE (WK)

SERIES	LINE
H = HIGHLINE	T = JEEP - 2WD
P = PREMIUM	J = JEEP - 4WD
S = SPORT	U = JEEP - 4WD (RHD)

BODY
 74 = SPORT UTILITY 4-DR
 TYPE #4

ENGINE
 ERB = 3.XL Mid V6 Engine
 EZH = 5.7L V8 HEMI MDS
 VVT Engine
 EXF = 3.0L V6 Turbo Diesel
 Engine

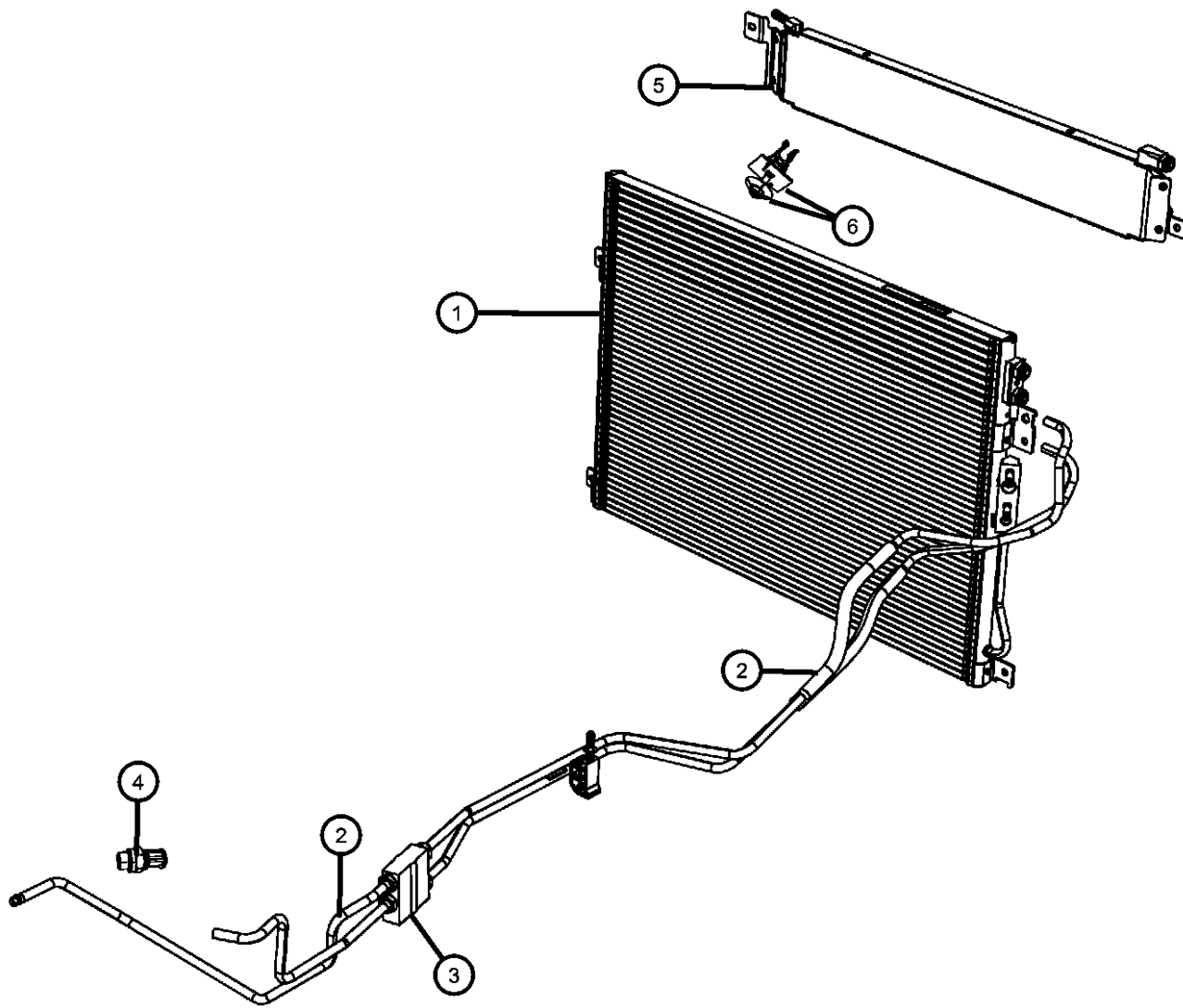
TRANSMISSION
 DGQ = 5-Spd Automatic 545RFE
 Transmission
 DGJ = 5-Speed Auto W5A580
 Transmission

AR = use ase required - = Non illustrated part

2011 WK

Transmission Oil Cooler and Lines
Figure 7-605

ITEM	PART NUMBER	QTY	LINE	SERIES	BODY	ENGINE	TRANS	TRIM	DESCRIPTION
1	55038003AE	1	J, T, U			EX0			COOLER, Condenser and Trans Cooler
2	55038077AF	1	J, T, U			ERB	DGJ		HOSE AND TUBE, Oil Cooler Pressure and Return
	55038075AF	1	J, T, U			EZH	DGQ		
3	55111005AB	1	J, T, U			ERB	DGJ		VALVE, Cooler Bypass
4	52119547AA	2	J, U			ERB	DGJ		FITTING, Quick Connect
5	68069651AC	1	J, T, U			ER0, EZ0			COOLER, Power Steering
6	68084182AA	1	J, T, U			ER0			RETAINER PACKAGE, Power Steering Cooler



GRAND CHEROKEE (WK)

SERIES LINE
H = HIGHLINE T = JEEP - 2WD
P = PREMIUM J = JEEP - 4WD
S = SPORT U = JEEP - 4WD (RHD)

BODY
74 = SPORT UTILITY 4-DR
TYPE #4

ENGINE
ERB = 3.0L Mid V6 Engine
EZH = 5.7L V8 HEMI MDS
VVT Engine
EXF = 3.0L V6 Turbo Diesel
Engine

TRANSMISSION
DGQ = 5-Spd Automatic 545RFE
Transmission
DGJ = 5-Speed Auto W5A580
Transmission

AR = use ase required - = Non illustrated part

2011 WK

Group - 8

Electrical

008-1900 Ignition - Spark Plugs, Cables, Coils, and Glow Plugs	008-200 Generators / Alternators	008-2100 Instrument Panel Cluster	008-2200 Radio, Antenna, Speakers, DVD, and Video systems
008-2400 Navigation	008-2500 Telecommunication	008-2600 Park Assist	008-2700 Speed Control
008-300 Wiper and Washer System	008-400 Keys, Modules and Engine Controllers	008-500 Power Distribution Center, Fuse Block, Junction Block, Relays and Fuses	008-600 Sensors
008-800 Switches	008-900 Horns		

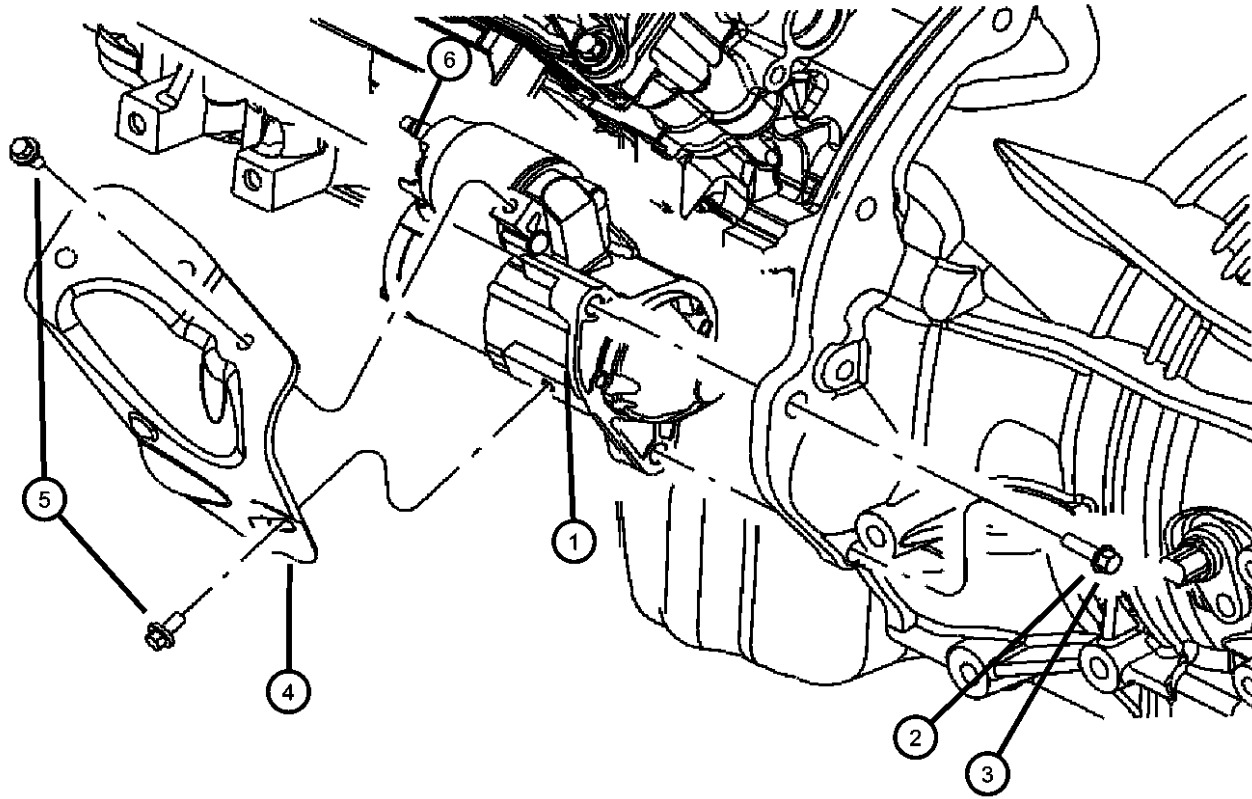
008-100 Starters	008-1000 Battery, Battery Tray and Cables	008-1100 Lamps-Interior and Exterior	008-1200 Wiring-Powertrain
008-1300 Wiring-Headlamp to Dash	008-1400 Wiring-Instrument Panel	008-1500 Wiring-Body and Accessories	008-1600 Wiring and Repair

Group - 8 Electrical

Illustration Title	Group-Fig. No.
Starters	
Starter and Related Parts	Fig. 8 - 105
Starter	Fig. 8 - 110
Remote Start	Fig. 8 - 115
Generators / Alternators	
Generator/Alternator and Related Parts	Fig. 8 - 205
Generator/Alternator and Related Parts	Fig. 8 - 210
Generator/Alternator and Related Parts	Fig. 8 - 215
Wiper and Washer System	
Front Wiper System	Fig. 8 - 305
Front Washer System	Fig. 8 - 310
Rear Wiper System	Fig. 8 - 315
Rear Washer System	Fig. 8 - 320
Headlamp Washer System	Fig. 8 - 325
Keys, Modules and Engine Controllers	
Modules Engine Compartment	Fig. 8 - 405
Modules Instrument Panel	Fig. 8 - 410
Modules Overhead	Fig. 8 - 415
Modules Body	Fig. 8 - 420
Modules, Brakes, Suspension, and Steering	Fig. 8 - 430
Receiver Modules, Keys and Key FOBS	Fig. 8 - 435
Power Distribution Center, Fuse Block, Junction Block, Relays and Fuses	
Power Distribution Center	Fig. 8 - 505
Power Distribution Center	Fig. 8 - 510
Fuse Block	Fig. 8 - 515
Power Invertor Outlet	Fig. 8 - 520
Relay Vacuum Pump	Fig. 8 - 540
Sensors	
Sensors, Gas Engine	Fig. 8 - 605
Sensors, Gas Engine	Fig. 8 - 607
Sensors Oxygen Gas	Fig. 8 - 615
Sensors Oxygen Gas	Fig. 8 - 617
Sensors Oxygen and Exhaust Temperature	Fig. 8 - 618
Sensors Brakes	Fig. 8 - 625
Sensors Suspension and Steering	Fig. 8 - 630
Sensors Body	Fig. 8 - 635
Sensors Drivetrain	Fig. 8 - 640
Switches	
Switches Instrument Panel	Fig. 8 - 805
Switches Console	Fig. 8 - 810
Switches Doors and Liftgate	Fig. 8 - 815
Switches Body	Fig. 8 - 820
Switches Seats	Fig. 8 - 825
Switches Steering Column and Wheel	Fig. 8 - 830
Switches Powertrain	Fig. 8 - 835
Switches Heating and Air Conditioning	Fig. 8 - 840
Switches Lighting	Fig. 8 - 845
Horns	
Horns	Fig. 8 - 905
Battery, Battery Tray and Cables	
Battery Tray and Support	Fig. 8 - 1005
Battery Wiring	Fig. 8 - 1010
Wiring Battery	Fig. 8 - 1011
Lamps-Interior and Exterior	
Lamps Front	Fig. 8 - 1105
Lamps Rear	Fig. 8 - 1111
Lamps Interior	Fig. 8 - 1115
Wiring-Powertrain	
Wiring Engine Gas	Fig. 8 - 1205
Wiring Engine Gas	Fig. 8 - 1206
Wiring Engine Diesel 3.0L	Fig. 8 - 1207
Ground Straps	Fig. 8 - 1215
Wiring-Headlamp to Dash	
Wiring Headlamp to Dash	Fig. 8 - 1305
Wiring-Instrument Panel	
Wiring Instrument Panel	Fig. 8 - 1405
Wiring-Body and Accessories	
Wiring Body	Fig. 8 - 1505
Wiring Chasis and Underbody	Fig. 8 - 1510
Wiring Door, Deck Lid, and Liftgate	Fig. 8 - 1515
Wiring Seats Front	Fig. 8 - 1520
Wiring and Repair	
Wiring Repairs	Fig. 8 - 1605
Ignition - Spark Plugs, Cables, Coils, and Glow Plugs	
Spark Plugs, Ignition Wires, and Ignition Coil	Fig. 8 - 1905
Spark Plugs, Ignition Wires, Ignition Coil	Fig. 8 - 1910
Instrument Panel Cluster	
Instrument Panel Cluster	Fig. 8 - 2105
Radio, Antenna, Speakers, DVD, and Video systems	
Radio	Fig. 8 - 2205
Antenna	Fig. 8 - 2210
Satellite Radio System	Fig. 8 - 2215
Speakers Instrument Panel and Quarters and Amplifiers	Fig. 8 - 2220
Speakers Doors	Fig. 8 - 2221
DVD and Video System	Fig. 8 - 2225
Rear View Camera System	Fig. 8 - 2230
Navigation	
Global Positioning	Fig. 8 - 2405
Telecommunication	
Telecommunications	Fig. 8 - 2505
Park Assist	
Park Assist	Fig. 8 - 2605
Speed Control	
Speed Control	Fig. 8 - 2705

**Starter and Related Parts
Figure 8-105**

ITEM	PART NUMBER	QTY	LINE	SERIES	BODY	ENGINE	TRANS	TRIM	DESCRIPTION
1									STARTER, Engine
	04801694AC	1	J, T, U		74	ERB			
	56044736AC	1	J, T, U		74	EZH			
2	06102120AA	2	J, T, U		74	EZH			SCREW AND WASHER, Hex head, M10X1.50X45.00
3	06101986	2	J, T, U		74	ERB			SCREW AND WASHER, Hex Head, M10X1.50X65.00
4	56044116AE	1	J, T, U		74	EZH			SHIELD, Starter
5		1							SCREW, Hex Flange Head, M6x1x12, (NOT SERVICED)
6	06506929AA	1	J, T, U		74	ERB, EXL, EZH			NUT, Hex Flange Lock, M8x1.25, B+ TERMINAL TO BATTERY



GRAND CHEROKEE (WK)

SERIES LINE
H = HIGHLINE T = JEEP - 2WD
P = PREMIUM J = JEEP - 4WD
S = SPORT U = JEEP - 4WD (RHD)

BODY
74 = SPORT UTILITY 4-DR TYPE #4

ENGINE
ERB = 3.0L Mid V6 Engine
EZH = 5.7L V8 HEMI MDS VVT Engine
EXF = 3.0L V6 Turbo Diesel Engine

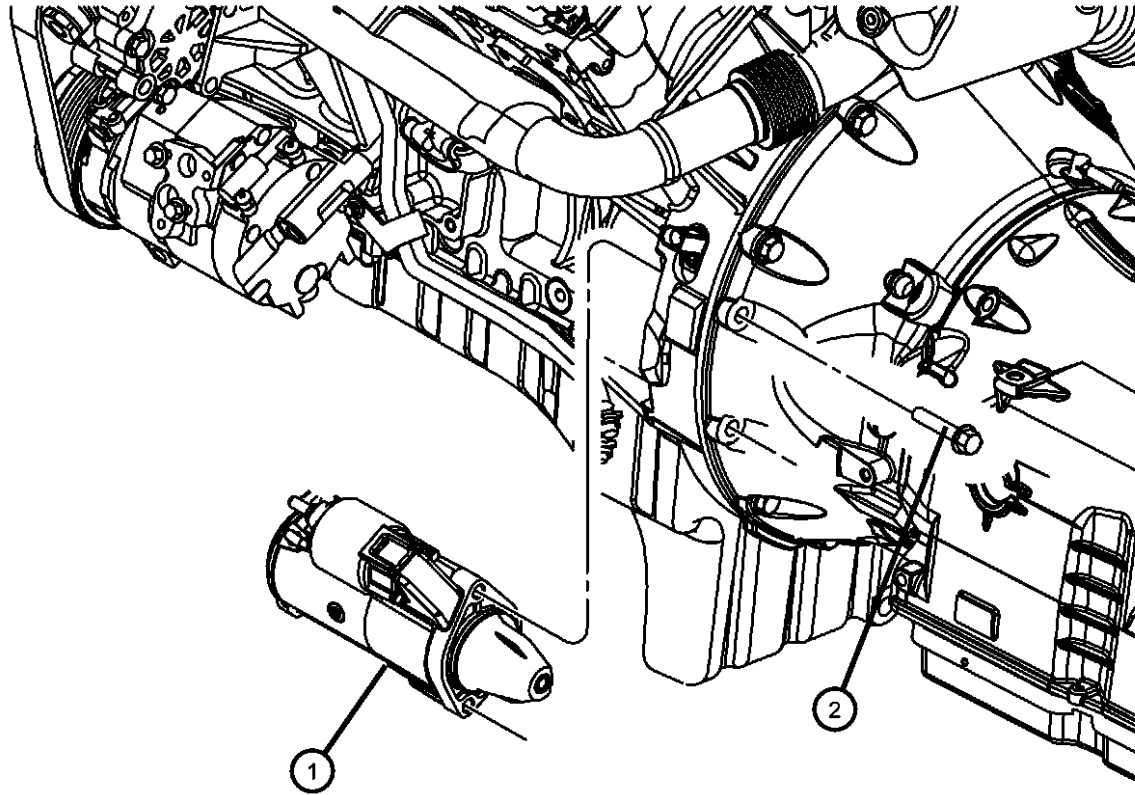
TRANSMISSION
DGQ = 5-Spd Automatic 545RFE Transmission
DGJ = 5-Speed Auto W5A580 Transmission

AR = use ase required - = Non illustrated part

2011 WK

Starter
Figure 8-110

ITEM	PART NUMBER	QTY	LINE	SERIES	BODY	ENGINE	TRANS	TRIM	DESCRIPTION
1	68080460AA	1	J, T, U		74	EXF			STARTER, Engine
2	06102120AA	1	J, T, U		74	EXF			SCREW AND WASHER, Hex head, M10X1.50X45.00



GRAND CHEROKEE (WK)

SERIES LINE
H = HIGHLINE T = JEEP - 2WD
P = PREMIUM J = JEEP - 4WD
S = SPORT U = JEEP - 4WD (RHD)

BODY
74 = SPORT UTILITY 4-DR
TYPE #4

ENGINE
ERB = 3.0L V6 Engine
EZH = 5.7L V8 HEMI MDS
VVT Engine
EXF = 3.0L V6 Turbo Diesel
Engine

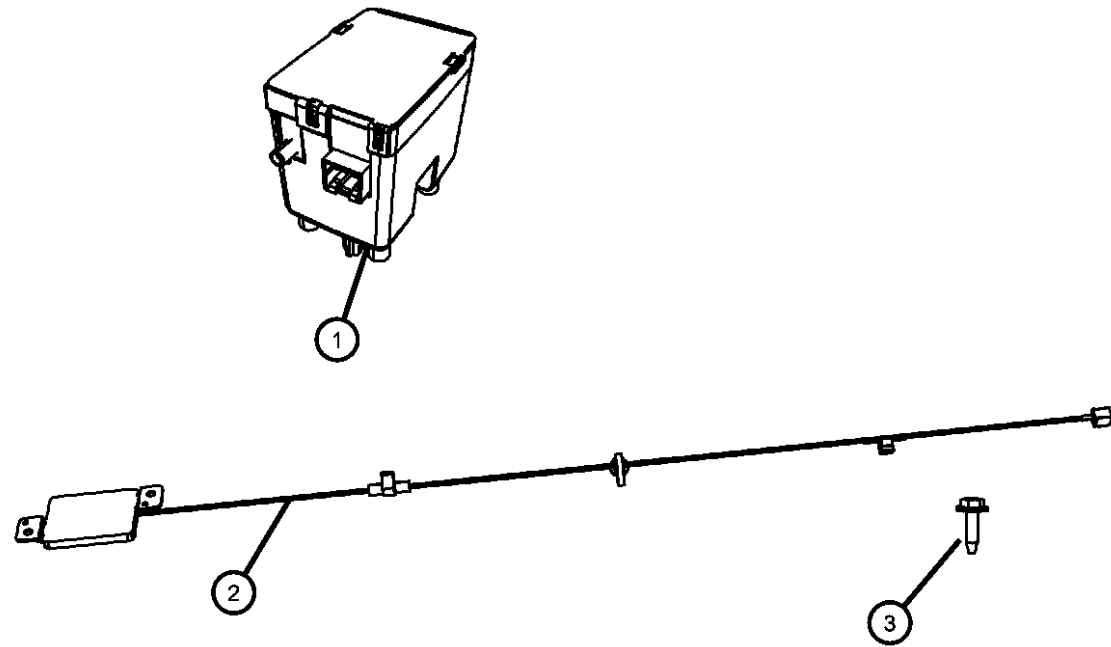
TRANSMISSION
DGQ = 5-Spd Automatic 545RFE
Transmission
DGJ = 5-Speed Auto W5A580
Transmission

AR = use ase required - = Non illustrated part

2011 WK

Remote Start
Figure 8-115

ITEM	PART NUMBER	QTY	LINE	SERIES	BODY	ENGINE	TRANS	TRIM	DESCRIPTION
1	05026535AE	1	J, T, U		74				RECEIVER, Wireless Ignition Node
2	68061763AB	1	J, T, U		74				ANTENNA, Remote Start And Keyless Entry
3		1							SCREW, Tapping Hex Head, M4.2X1.7X15.80, (NOT SERVICED)



GRAND CHEROKEE (WK)

SERIES LINE
H = HIGHLINE T = JEEP - 2WD
P = PREMIUM J = JEEP - 4WD
S = SPORT U = JEEP - 4WD (RHD)

BODY
74 = SPORT UTILITY 4-DR TYPE #4

ENGINE
ERB = 3.XL Mid V6 Engine
EZH = 5.7L V8 HEMI MDS VVT Engine
EXF = 3.0L V6 Turbo Diesel Engine

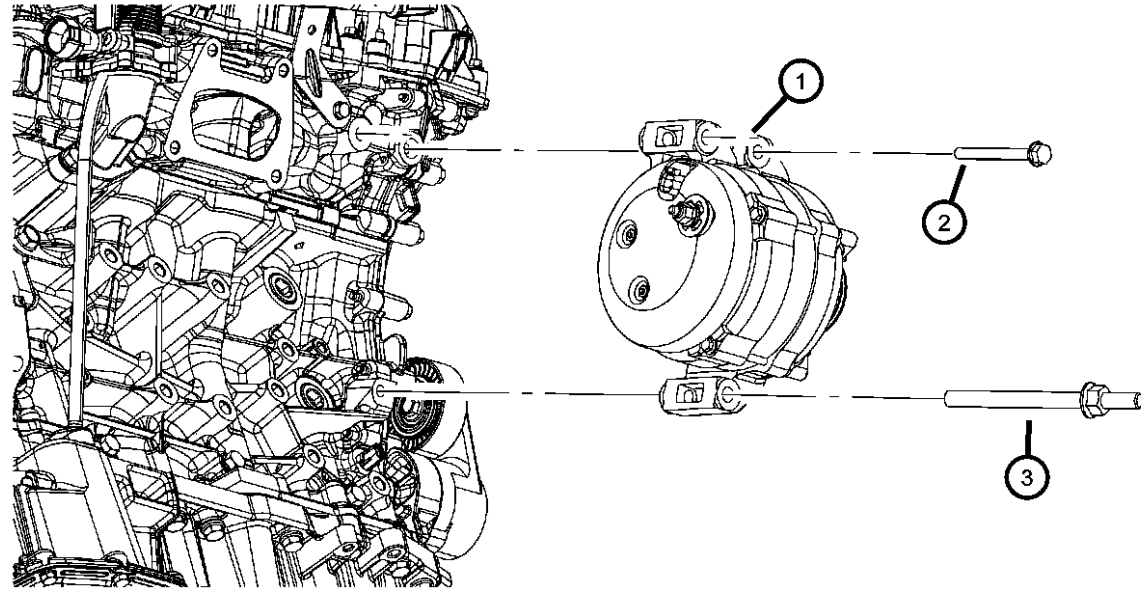
TRANSMISSION
DGQ = 5-Spd Automatic 545RFE Transmission
DGJ = 5-Speed Auto W5A580 Transmission

AR = use ase required - = Non illustrated part

2011 WK

**Generator/Alternator and Related Parts
Figure 8-205**

ITEM	PART NUMBER	QTY	LINE	SERIES	BODY	ENGINE	TRANS	TRIM	DESCRIPTION
1	04801778AF	1	J, T, U		74	ERB			GENERATOR, Engine [BAD]
	04801779AG	1	J, T, U		74	ERB			[BAB]
	04801865AC	1	J, T, U		74	ERB			[BAJ]
2	06104207AA	3	J, T, U		74	ERB			BOLT, Hex Head, M8X1.25X90
3	06509556AA	1	J, T, U		74	ERB			STUD, 2 End, M8x1.25x80.00xm8x1.25x20.00



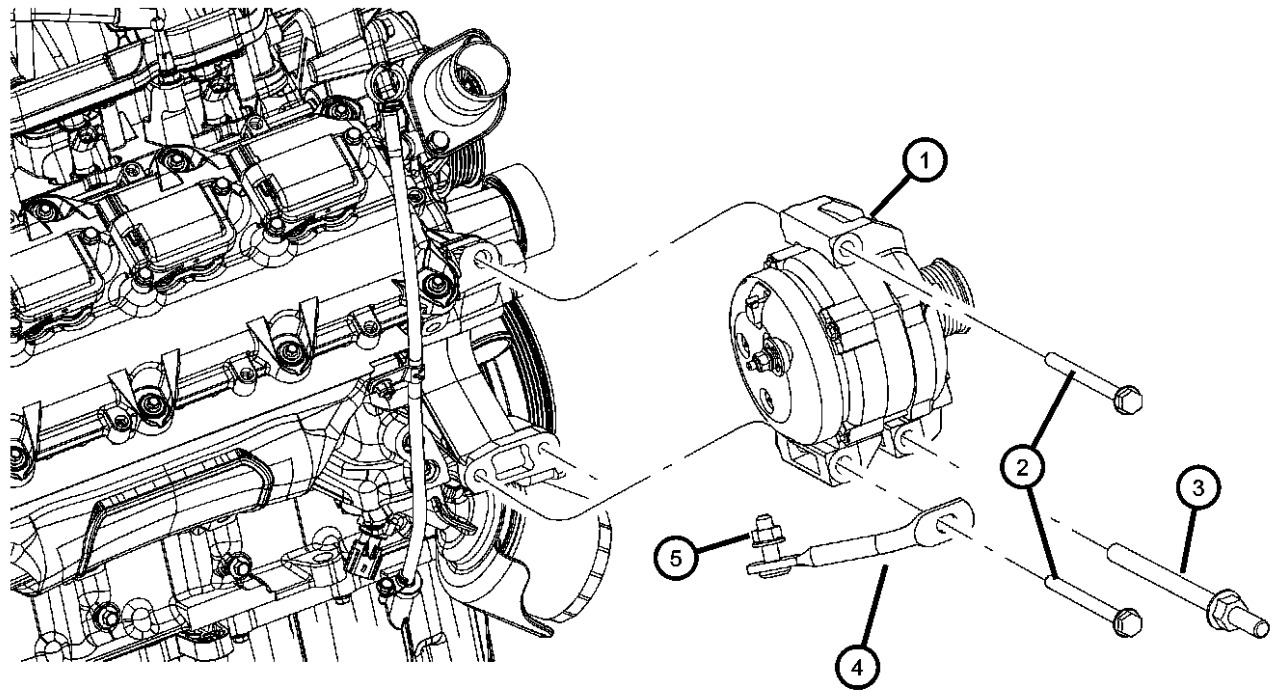
GRAND CHEROKEE (WK)

SERIES	LINE	BODY	ENGINE	TRANSMISSION
H = HIGHLINE	T = JEEP - 2WD	74 = SPORT UTILITY 4-DR	ERB = 3.XL Mid V6 Engine	DGQ = 5-Spd Automatic 545RFE
P = PREMIUM	J = JEEP - 4WD	TYPE #4	EZH = 5.7L V8 HEMI MDS	Transmission
S = SPORT	U = JEEP - 4WD (RHD)		VVT Engine	DGJ = 5-Speed Auto W5A580
			EXF = 3.0L V6 Turbo Diesel	Transmission
			Engine	

AR = use ase required - = Non illustrated part

Generator/Alternator and Related Parts
Figure 8-210

ITEM	PART NUMBER	QTY	LINE	SERIES	BODY	ENGINE	TRANS	TRIM	DESCRIPTION
1	04801833AB	1	J, T, U		74	EZH			GENERATOR, Engine [BAD]
	04801834AB	1	J, T, U		74	EZH			[BAJ]
2	06104230AA	2	J, T, U		74	EZH			BOLT, Hex Flange Head, M10X1.50X130.00, ALTERNATOR TO FRONT COVER
3	06509490AA	1	J, T, U		74	EZH			STUD, Alternator
4	68045250AB	1	J, T, U		74	EZH			BRACKET, Alternator
5	06104710AA	1	J, T, U		74	EZH			NUT, Hex Flange Lock, M10x1.50



GRAND CHEROKEE (WK)

SERIES LINE
H = HIGHLINE T = JEEP - 2WD
P = PREMIUM J = JEEP - 4WD
S = SPORT U = JEEP - 4WD (RHD)

BODY
74 = SPORT UTILITY 4-DR TYPE #4

ENGINE
ERB = 3.XL Mid V6 Engine
EZH = 5.7L V8 HEMI MDS VVT Engine
EXF = 3.0L V6 Turbo Diesel Engine

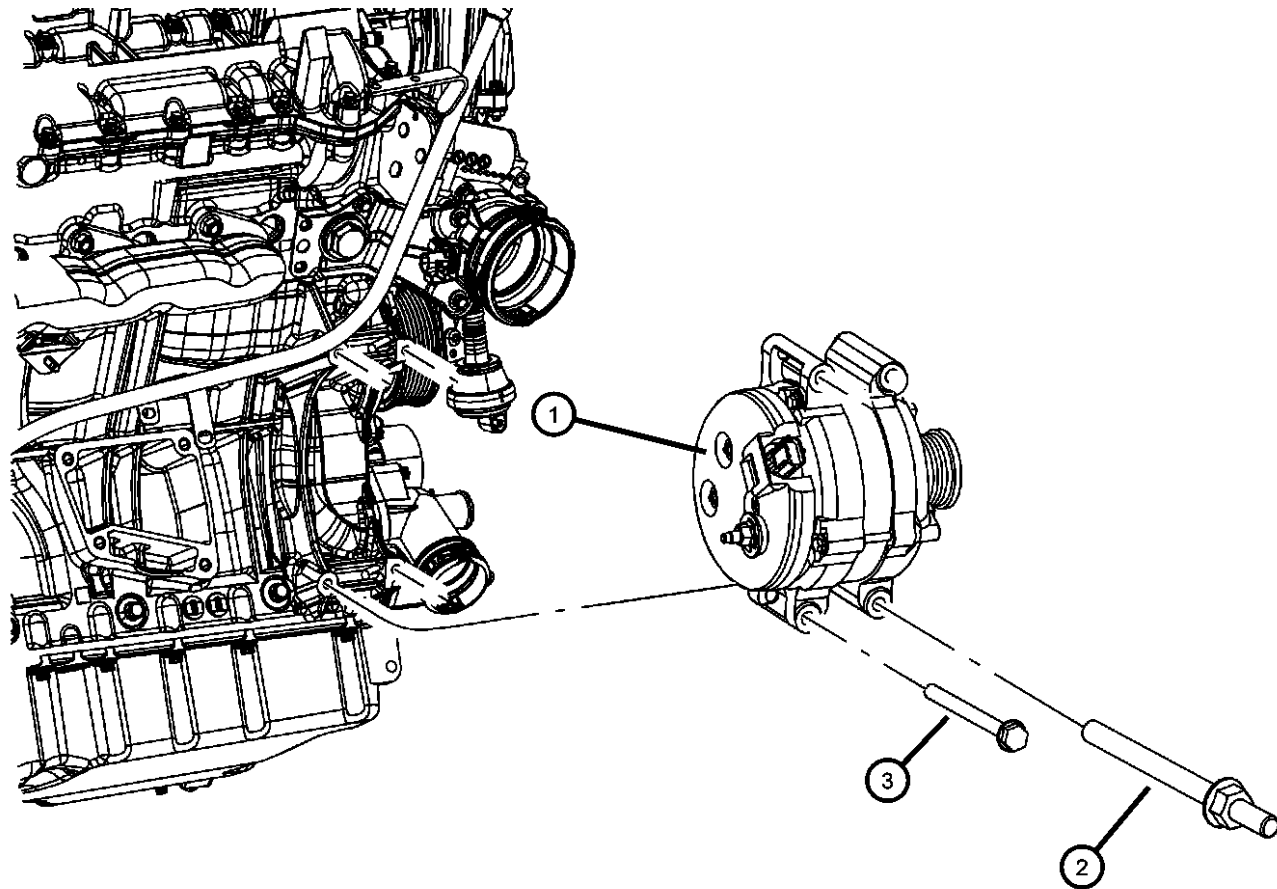
TRANSMISSION
DGQ = 5-Spd Automatic 545RFE Transmission
DGJ = 5-Speed Auto W5A580 Transmission

AR = use ase required - = Non illustrated part

2011 WK

Generator/Alternator and Related Parts
Figure 8-215

ITEM	PART NUMBER	QTY	LINE	SERIES	BODY	ENGINE	TRANS	TRIM	DESCRIPTION
1	04801835AB	1	J, T, U		74	EXF			GENERATOR, Engine
2	06508819AA	1	J, T, U		74	EXF			STUD, Double Ended, M8-1.25X110.00
3	06104207AA	2	J, T, U		74	EXF			BOLT, Hex Head, M8X1.25X90



GRAND CHEROKEE (WK)

SERIES LINE
H = HIGHLINE T = JEEP - 2WD
P = PREMIUM J = JEEP - 4WD
S = SPORT U = JEEP - 4WD (RHD)

BODY
74 = SPORT UTILITY 4-DR
TYPE #4

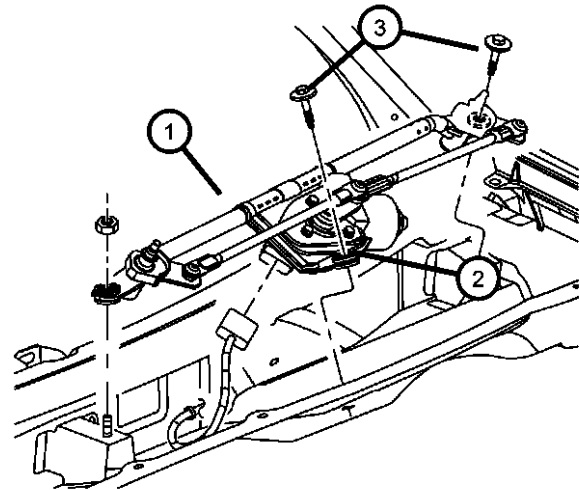
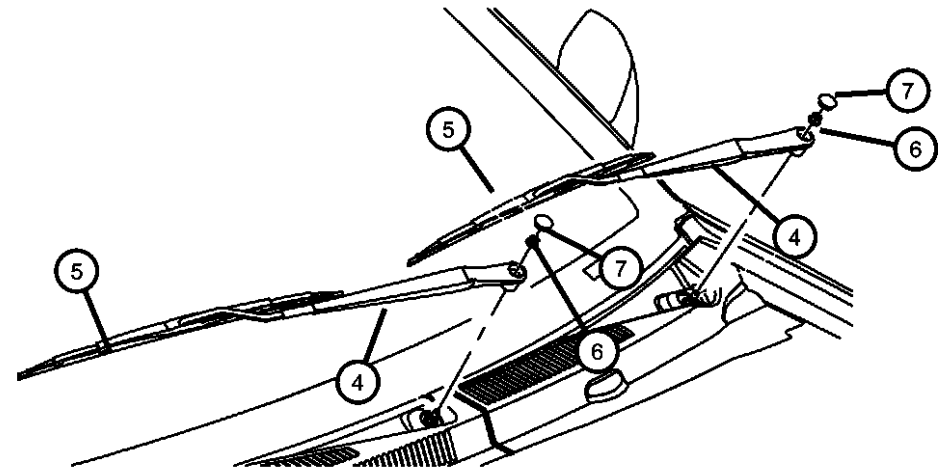
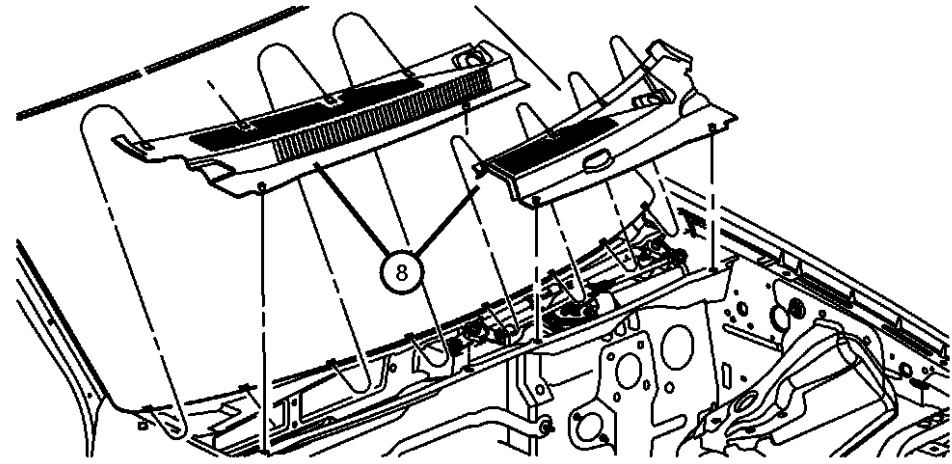
ENGINE
ERB = 3.0L Mid V6 Engine
EZH = 5.7L V8 HEMI MDS
VVT Engine
EXF = 3.0L V6 Turbo Diesel
Engine

TRANSMISSION
DGQ = 5-Spd Automatic 545RFE
Transmission
DGJ = 5-Speed Auto W5A580
Transmission

AR = use ase required - = Non illustrated part

2011 WK

Front Wiper System
Figure 8-305



ITEM	PART NUMBER	QTY	LINE	SERIES	BODY	ENGINE	TRANS	TRIM	DESCRIPTION	
1	55079158AC	1	J, T		74				WIPER ASSEMBLY, Windshield	
	55079273AC	1	U		74					
2	68079854AA	1	J, T		74				MOTOR, Wiper	
	68079861AA	1	U		74					
3	06506733AA	1	J, T, U		74				SCREW AND WASHER, Hex Head, M6X1.0X40.00, Wiper module to body	
4	68079856AA	1	J, T		74				ARM, Front Wiper	
	68079857AA	1	J, T		74					Right
	68079864AA	1	U		74					Left
	68079865AA	1	U		74					Right
5	68079858AA	1	J, T		74				BLADE, Front Wiper	
	68079859AA	1	J, T		74					Right
	68079866AA	1	U		74					Left
	68079867AA	1	U		74					Right
6	06504954AA	2	J, T, U		74				NUT AND WASHER, Hex, M10X1.25, Wiper arm attaching CAP, Wiper Arm	
7	68086669AA	1	J, T		74				Right or Left	
		1	U		74					Right or Left
8	55079197AD	1	J, T		74				PANEL, Cowl Top	
	55079199AD	1	U		74					

GRAND CHEROKEE (WK)

SERIES LINE
H = HIGHLINE T = JEEP - 2WD
P = PREMIUM J = JEEP - 4WD
S = SPORT U = JEEP - 4WD (RHD)

BODY
74 = SPORT UTILITY 4-DR
TYPE #4

ENGINE
ERB = 3.XL Mid V6 Engine
EZH = 5.7L V8 HEMI MDS
VVT Engine
EXF = 3.0L V6 Turbo Diesel
Engine

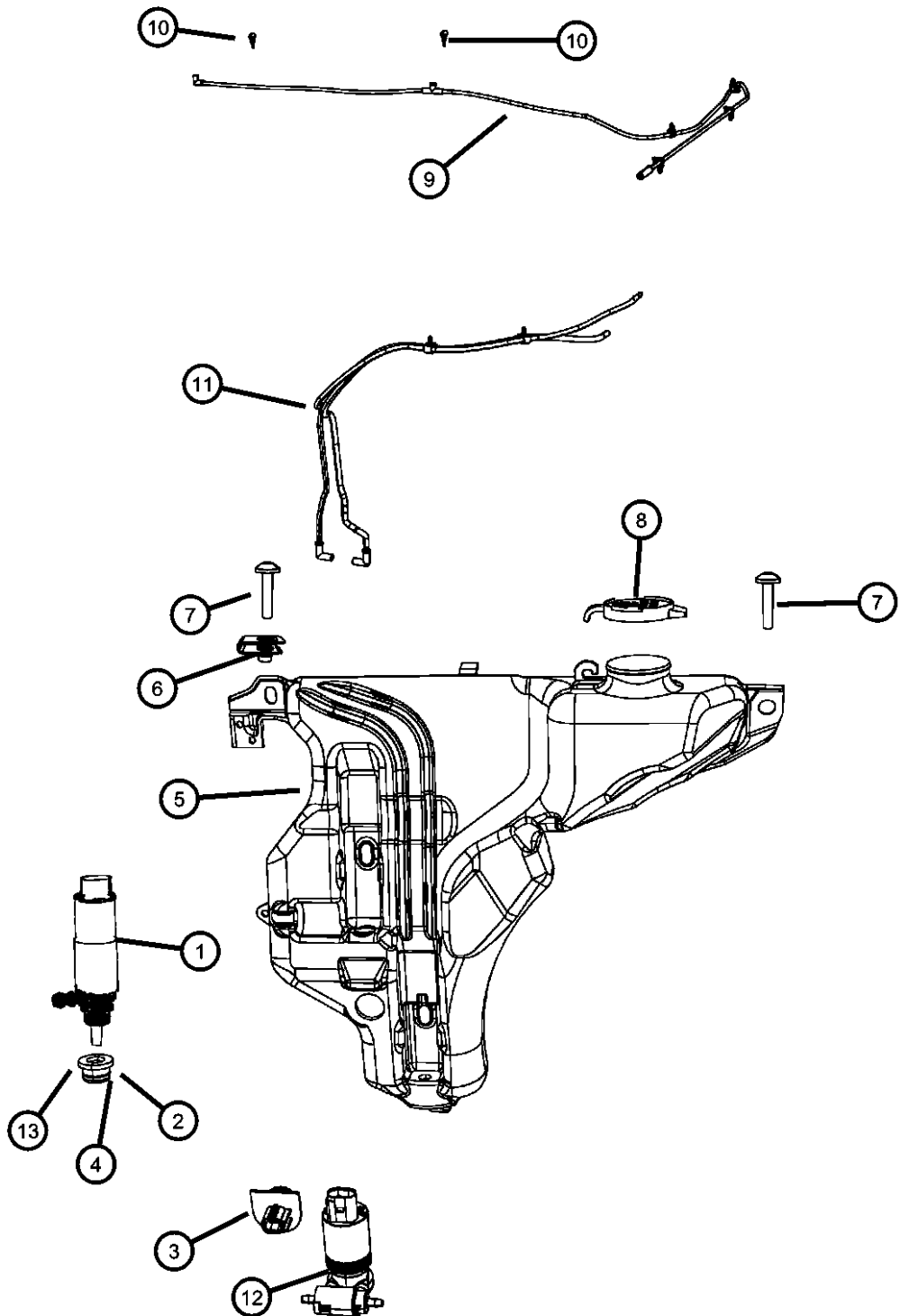
TRANSMISSION
DGQ = 5-Spd Automatic 545RFE
Transmission
DGJ = 5-Speed Auto W5A580
Transmission

AR = use ase required - = Non illustrated part

2011 WK

Front Washer System

Figure 8-310



ITEM	PART NUMBER	QTY	LINE	SERIES	BODY	ENGINE	TRANS	TRIM	DESCRIPTION
1	05179153AC	1	J, T, U		74				PUMP, Washer, Windshield
2	05152030AA	1	J, T, U		74				GROMMET, Windshield Washer Pump
3	05152029AB	1	J, T, U		74				SENSOR, Washer Fluid Level
4	05152031AA	1	J, T, U		74				GROMMET, Washer Level Sensor
5									RESERVOIR, Windshield Washer [JHS]
	68080156AA	1	J, T, U		74				
	68080155AA	1	J, T, U		74				
6									U-NUT, M6 x 1.00, M6x1.00
	06507559AA	5	J, T, U		74	ERB, ESG, EZ0			Reservoir attaching
		5	J, T, U		74	EX0			Reservoir attaching
7									PIN, Push
	06504521	1	J, T, U		74	ERB, ESG, EZ0			Reservoir attaching
		1	J, T, U		74	EX0			Reservoir attaching
8	68020727AA	1	J, T, U		74				CAP, Washer Reservoir
9	55079200AB	1	J, T, U		74				HOSE, Windshield Washer
10	55372143AB	2	J, T, U		74				NOZZLE, Windshield washer
11	55079143AA	1	J, T, U		74				HOSE, Windshield Washer, Rear, From reservoir to cowl
12	68080157AA	1	J, T, U		74				PUMP, Washer, Headlamp
13	05152030AA	1	J, T, U		74				GROMMET, Windshield Washer Pump

GRAND CHEROKEE (WK)

SERIES LINE
 H = HIGHLINE T = JEEP - 2WD
 P = PREMIUM J = JEEP - 4WD
 S = SPORT U = JEEP - 4WD (RHD)

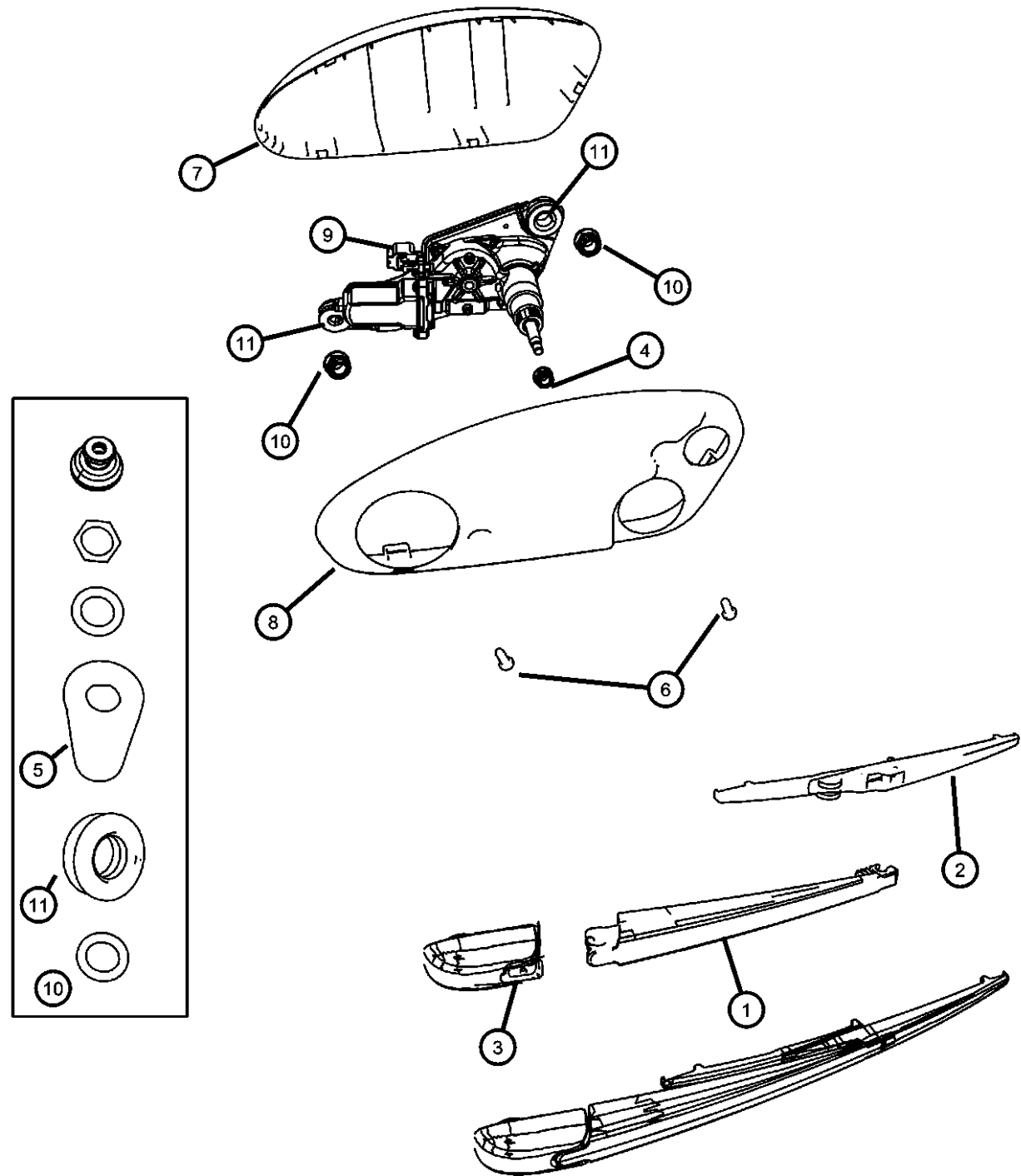
BODY
 74 = SPORT UTILITY 4-DR
 TYPE #4

ENGINE
 ERB = 3.0L Mid V6 Engine
 EZH = 5.7L V8 HEMI MDS
 VVT Engine
 EXF = 3.0L V6 Turbo Diesel
 Engine

TRANSMISSION
 DGQ = 5-Spd Automatic 545RFE
 Transmission
 DGJ = 5-Speed Auto W5A580
 Transmission

AR = use ase required - = Non illustrated part

Rear Wiper System
Figure 8-315



ITEM	PART NUMBER	QTY	LINE	SERIES	BODY	ENGINE	TRANS	TRIM	DESCRIPTION
1	68079868AA	1	J, T, U		74				ARM, Rear Wiper
2	68079869AA	1	J, T, U		74				BLADE, Rear Wiper
3	68077939AA	1	J, T, U		74				CAP, Rear Wiper Arm
4	68080694AA	1	J, T, U		74				NUT, Wiper Arm
5	55079208AA	1	J, T, U		74				BEZEL, Liftgate Wiper Motor
6	68080690AA	2	J, T, U		74				SCREW
7	68080688AA	1	J, T, U		74				COVER, Rear Wiper MotorInner
8	68080689AA	1	J, T, U		74				COVER, Rear Wiper MotorOuter
9	55079213AB	1	J, T, U		74				MOTOR, Liftgate Wiper
10	68080693AA	1	J, T, U		74				MOUNTING HARDWARE, Rear Wiper Motor
11	55079205AA	1	J, T, U		74				GROMMET, Rear Wiper Motor
-12	68080692AA	1	J, T, U		74				WIRING, Jumper, Wiper Motor

GRAND CHEROKEE (WK)

SERIES LINE
H = HIGHLINE T = JEEP - 2WD
P = PREMIUM J = JEEP - 4WD
S = SPORT U = JEEP - 4WD (RHD)

BODY
74 = SPORT UTILITY 4-DR
TYPE #4

ENGINE
ERB = 3.0L Mid V6 Engine
EZH = 5.7L V8 HEMI MDS
VVT Engine
EXF = 3.0L V6 Turbo Diesel
Engine

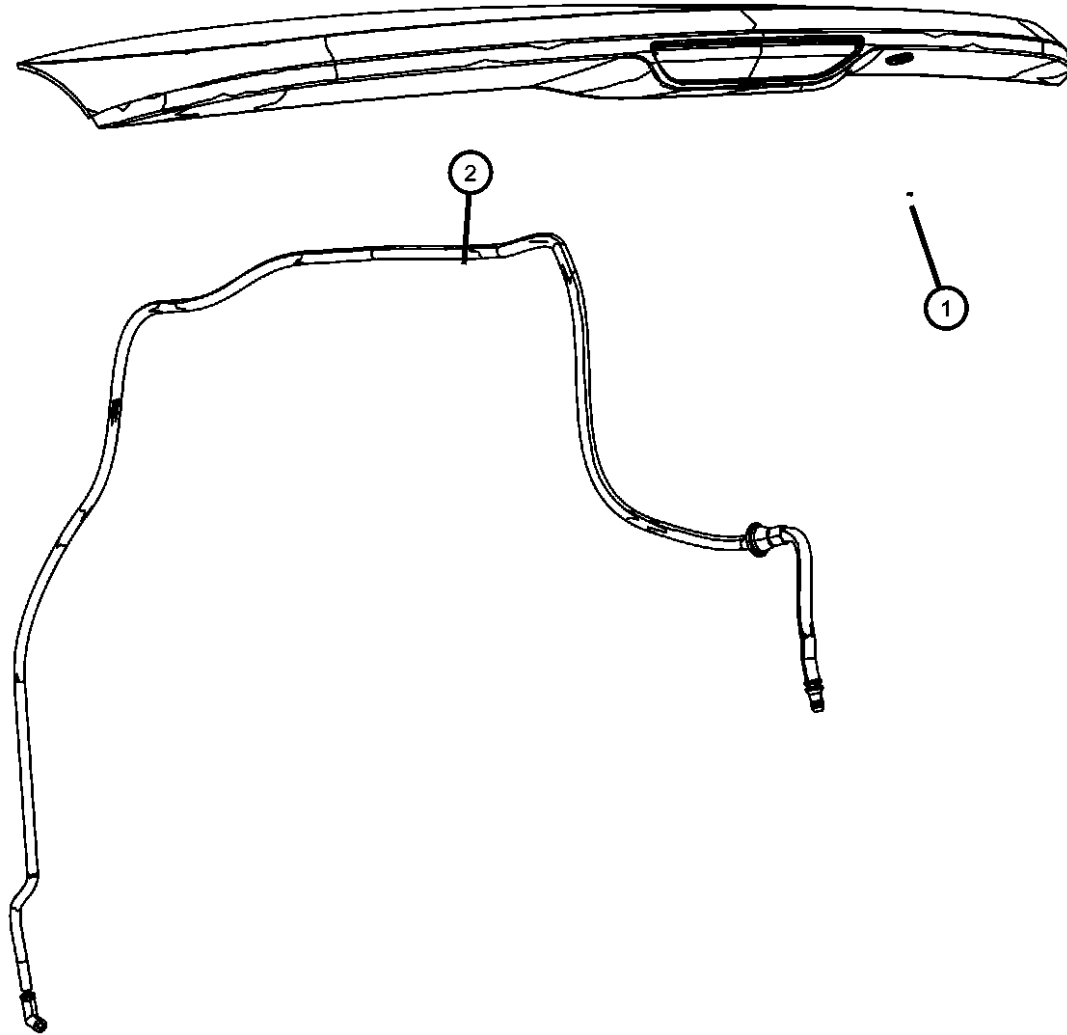
TRANSMISSION
DGQ = 5-Spd Automatic 545RFE
Transmission
DGJ = 5-Speed Auto W5A580
Transmission

AR = use ase required - = Non illustrated part

2011 WK

**Rear Washer System
Figure 8-320**

ITEM	PART NUMBER	QTY	LINE	SERIES	BODY	ENGINE	TRANS	TRIM	DESCRIPTION
1	57010735AB	1	J, T, U		74				NOZZLE, Washer, Liftgate
2	55079143AA	1	J, T, U		74				HOSE, Windshield Washer, Rear, From reservoir to cowl



GRAND CHEROKEE (WK)

SERIES LINE
H = HIGHLINE T = JEEP - 2WD
P = PREMIUM J = JEEP - 4WD
S = SPORT U = JEEP - 4WD (RHD)

BODY
74 = SPORT UTILITY 4-DR
TYPE #4

ENGINE
ERB = 3.0L Mid V6 Engine
EZH = 5.7L V8 HEMI MDS
VVT Engine
EXF = 3.0L V6 Turbo Diesel
Engine

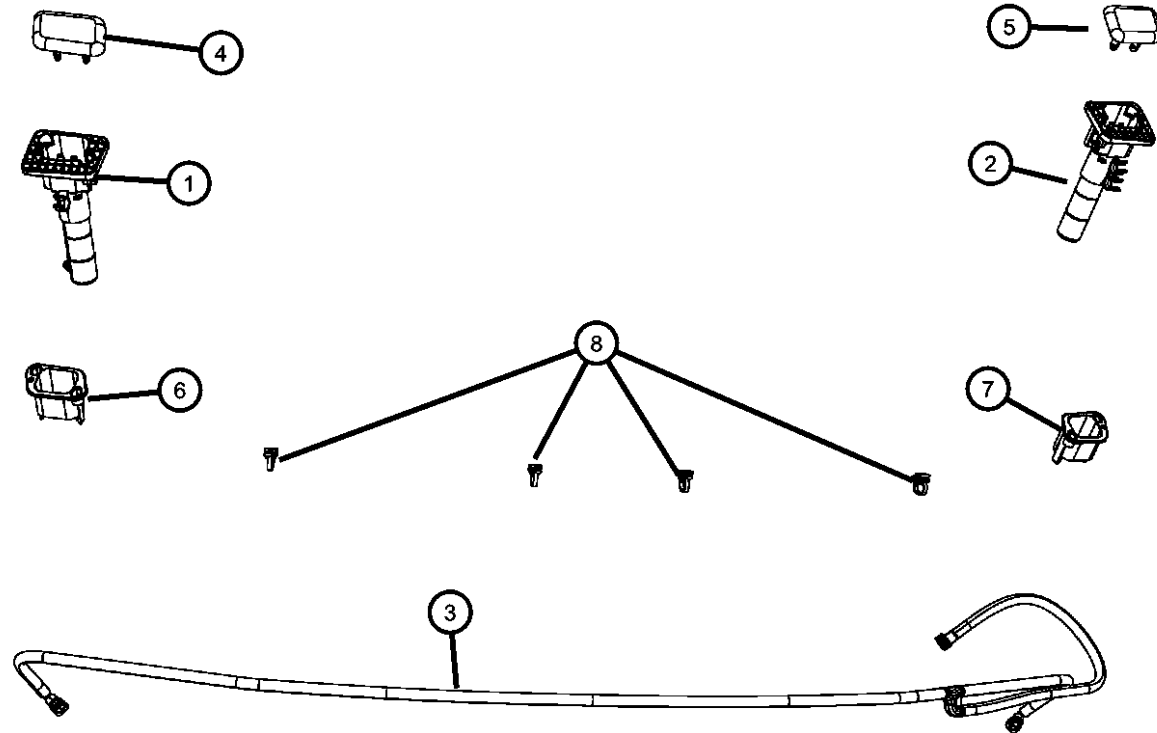
TRANSMISSION
DGQ = 5-Spd Automatic 545RFE
Transmission
DGJ = 5-Speed Auto W5A580
Transmission

AR = use ase required - = Non illustrated part

2011 WK

Headlamp Washer System
Figure 8-325

ITEM	PART NUMBER	QTY	LINE	SERIES	BODY	ENGINE	TRANS	TRIM	DESCRIPTION
1	68078292AA	1	J, T, U		74				NOZZLE, Washer, Headlamp
2	68078293AA	1	J, T, U		74				NOZZLE, Washer, Headlamp
3	68078288AA	1	J, T, U		74				HOSE, Washer, Headlamp
4	68078290AA	1	J, T, U		74				COVER, Headlamp Washer
5	68078291AA	1	J, T, U		74				COVER, Headlamp Washer
6	68078294AA	1	J, T, U		74				PLATE, Retaining
7	68078295AA	1	J, T, U		74				PLATE, Retaining
8	68081430AA	4	J, T, U		74				CLIP, Washer Hose



GRAND CHEROKEE (WK)

SERIES LINE
H = HIGHLINE T = JEEP - 2WD
P = PREMIUM J = JEEP - 4WD
S = SPORT U = JEEP - 4WD (RHD)

BODY
74 = SPORT UTILITY 4-DR
TYPE #4

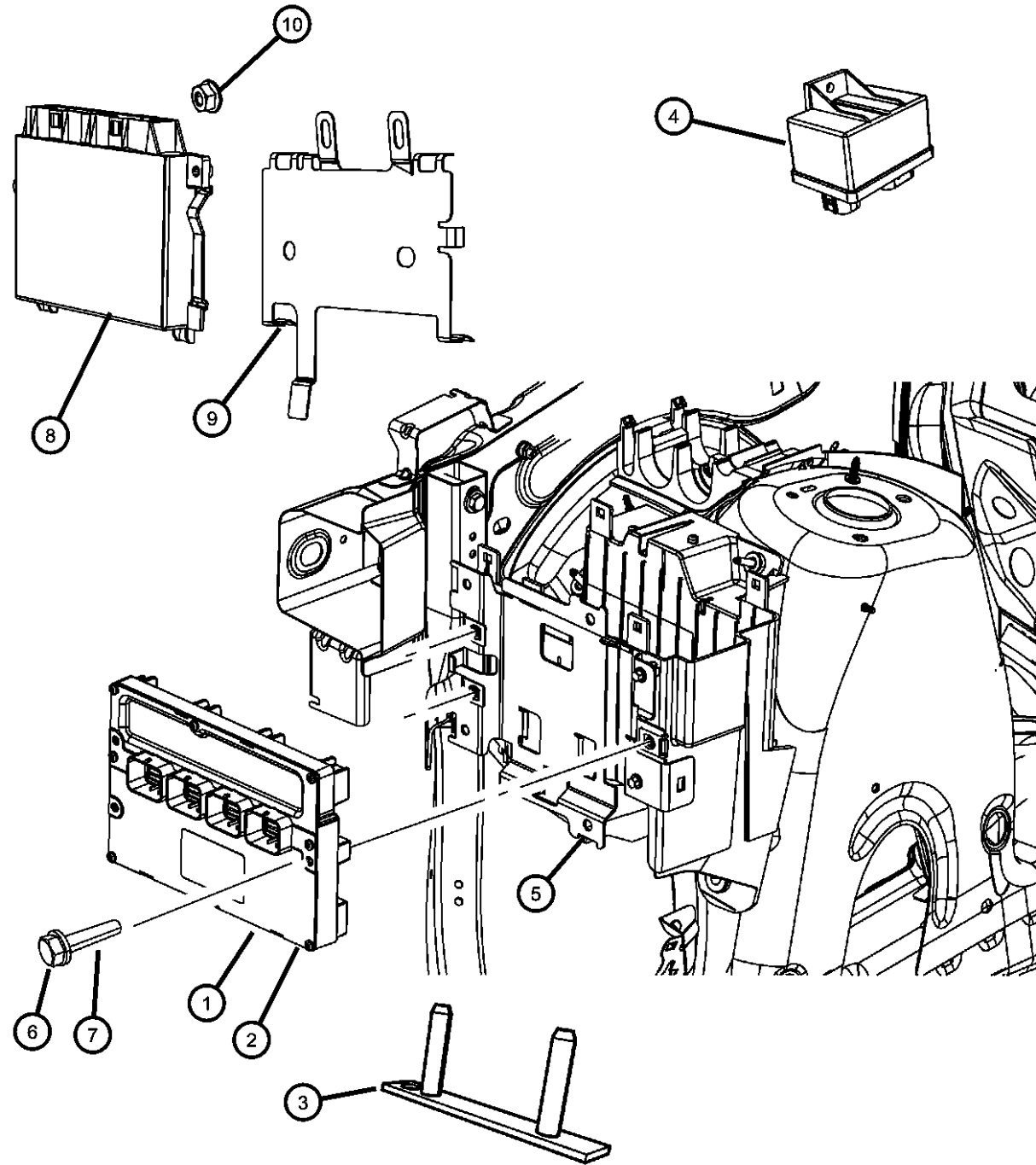
ENGINE
ERB = 3.0L Mid V6 Engine
EZH = 5.7L V8 HEMI MDS
VVT Engine
EXF = 3.0L V6 Turbo Diesel
Engine

TRANSMISSION
DGQ = 5-Spd Automatic 545RFE
Transmission
DGJ = 5-Speed Auto W5A580
Transmission

AR = use ase required - = Non illustrated part

2011 WK

Modules Engine Compartment
Figure 8-405



ITEM	PART NUMBER	QTY	LINE	SERIES	BODY	ENGINE	TRANS	TRIM	DESCRIPTION
1									MODULE, Powertrain Control, Generic
	05150582AB	1	J, T, U		74	EZH			
	05150588AB	1	J, T, U		74	ERB			
2	05150625AB	1	J, T, U		74	EXF			MODULE, Engine controller, Diesel
3									STUD PLATE, Control Module
	05187120AA	1	J, T, U		74	ERB, EZH			
		1	J, T, U		74	EXF			
4	68079877AA	1	J, T, U		74	EXF			MODULE, Glow Plug
5									BRACKET, Engine Control Module
	68068324AA	1	J, T, U		74	EXF			
	05148325AB	1	J, T, U		74	ERB, EZH			
6	06102433AA	3	J, T, U		74	EXF			BOLT, Hex Flange Head, M6x1.00x35
7	06509674AA	3	J, T, U		74	ERB, EZH			SCREW, Hex Flange Head, M5X0.8X55.00
8	68058666AF	1	J, T, U		74		DGJ, DGU		MODULE, Transmission Control
9	05187603AA	1	J, T, U		74		DGJ, DGU		BRACKET, Transmission Control Module
10	06104708AA	3	J, T, U		74		DGJ, DGU		NUT, Hex, M6

GRAND CHEROKEE (WK)

SERIES LINE
H = HIGHLINE T = JEEP - 2WD
P = PREMIUM J = JEEP - 4WD
S = SPORT U = JEEP - 4WD (RHD)

BODY
74 = SPORT UTILITY 4-DR
TYPE #4

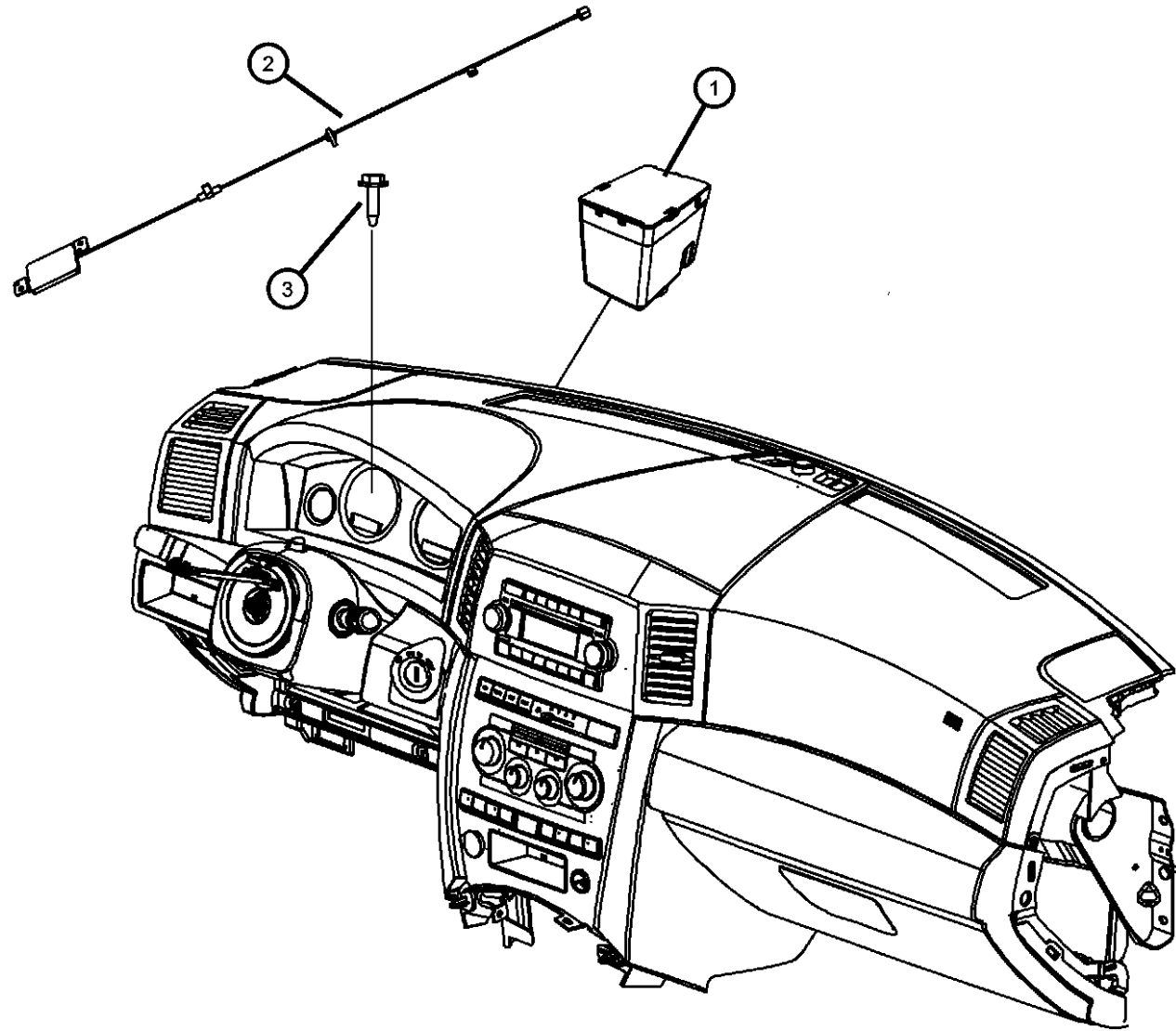
ENGINE
ERB = 3.0L V6 Engine
EZH = 5.7L V8 HEMI MDS
VVT Engine
EXF = 3.0L V6 Turbo Diesel
Engine

TRANSMISSION
DGQ = 5-Spd Automatic 545RFE
Transmission
DGJ = 5-Speed Auto W5A580
Transmission

AR = use ase required - = Non illustrated part

2011 WK

Modules Instrument Panel
Figure 8-410



ITEM	PART NUMBER	QTY	LINE	SERIES	BODY	ENGINE	TRANS	TRIM	DESCRIPTION
1	05026534AE	1	J, T, U		74				RECEIVER, Wireless Ignition Node [JRC]
	05026533AE	1	J, T, U		74				
	05026535AE	1	J, T, U		74				[XBM]
	05026647AF	1	J, T, U		74				Export
2	68061763AB	1	J, T, U		74				ANTENNA, Remote Start And Keyless Entry [XBM]
	68061764AB	1	J, T, U		74				
3		1							SCREW, Tapping Hex Head, M4.2X1.7X15.80, (NOT SERVICED)

GRAND CHEROKEE (WK)

SERIES LINE
 H = HIGHLINE T = JEEP - 2WD
 P = PREMIUM J = JEEP - 4WD
 S = SPORT U = JEEP - 4WD (RHD)

BODY
 74 = SPORT UTILITY 4-DR TYPE #4

ENGINE
 ERB = 3.0L Mid V6 Engine
 EZH = 5.7L V8 HEMI MDS VVT Engine
 EXF = 3.0L V6 Turbo Diesel Engine

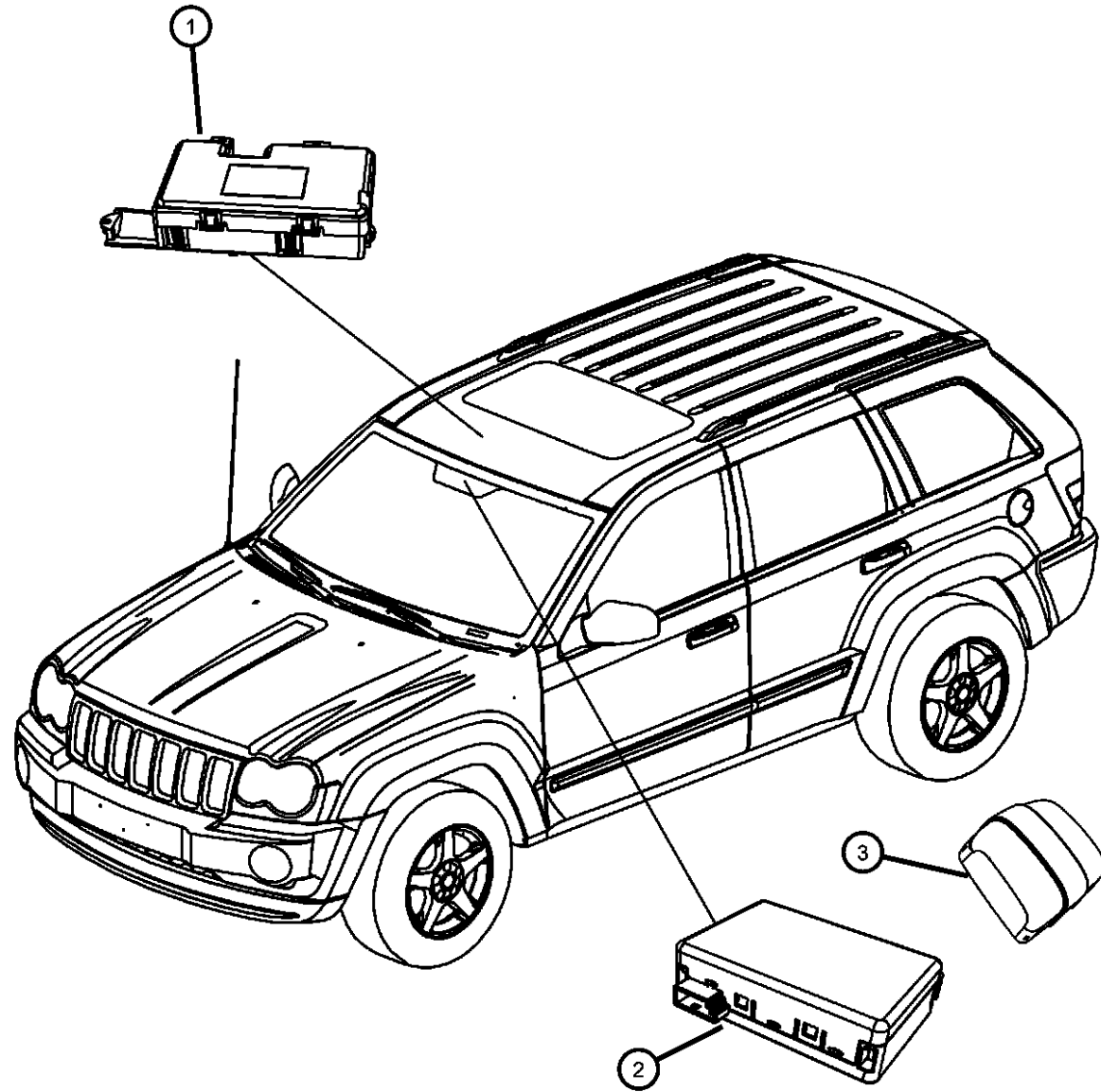
TRANSMISSION
 DGQ = 5-Spd Automatic 545RFE Transmission
 DGJ = 5-Speed Auto W5A580 Transmission

AR = use ase required - = Non illustrated part

2011 WK

Modules Overhead
Figure 8-415

ITEM	PART NUMBER	QTY	LINE	SERIES	BODY	ENGINE	TRANS	TRIM	DESCRIPTION
1	04671918AH	1	J, T, U		74				MODULE, Compass
2	05026859AB	1	J, T, U		74				MODULE, Rain Sensor Up to 6/21/10
	05026859AC	1	J, T, U		74				After 6/21/10
3	1EK24XXXAB	1	J, T, U		74				COVER, RAIN SENSOR



GRAND CHEROKEE (WK)

SERIES LINE
H = HIGHLINE T = JEEP - 2WD
P = PREMIUM J = JEEP - 4WD
S = SPORT U = JEEP - 4WD (RHD)

BODY
74 = SPORT UTILITY 4-DR
TYPE #4

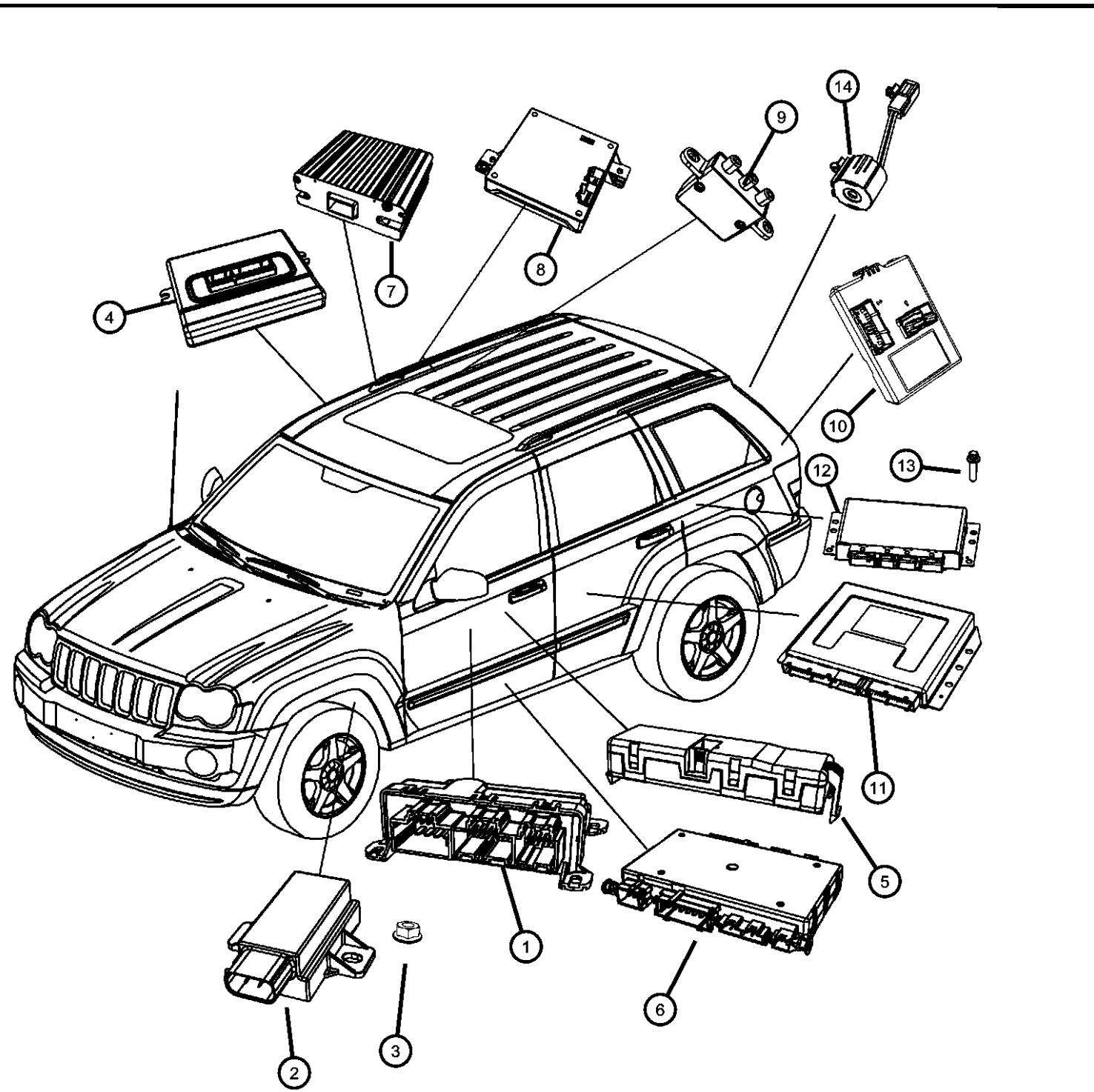
ENGINE
ERB = 3.0L Mid V6 Engine
EZH = 5.7L V8 HEMI MDS
VVT Engine
EXF = 3.0L V6 Turbo Diesel
Engine

TRANSMISSION
DGQ = 5-Spd Automatic 545RFE
Transmission
DGJ = 5-Speed Auto W5A580
Transmission

AR = use ase required - = Non illustrated part

2011 WK

Modules Body
Figure 8-420

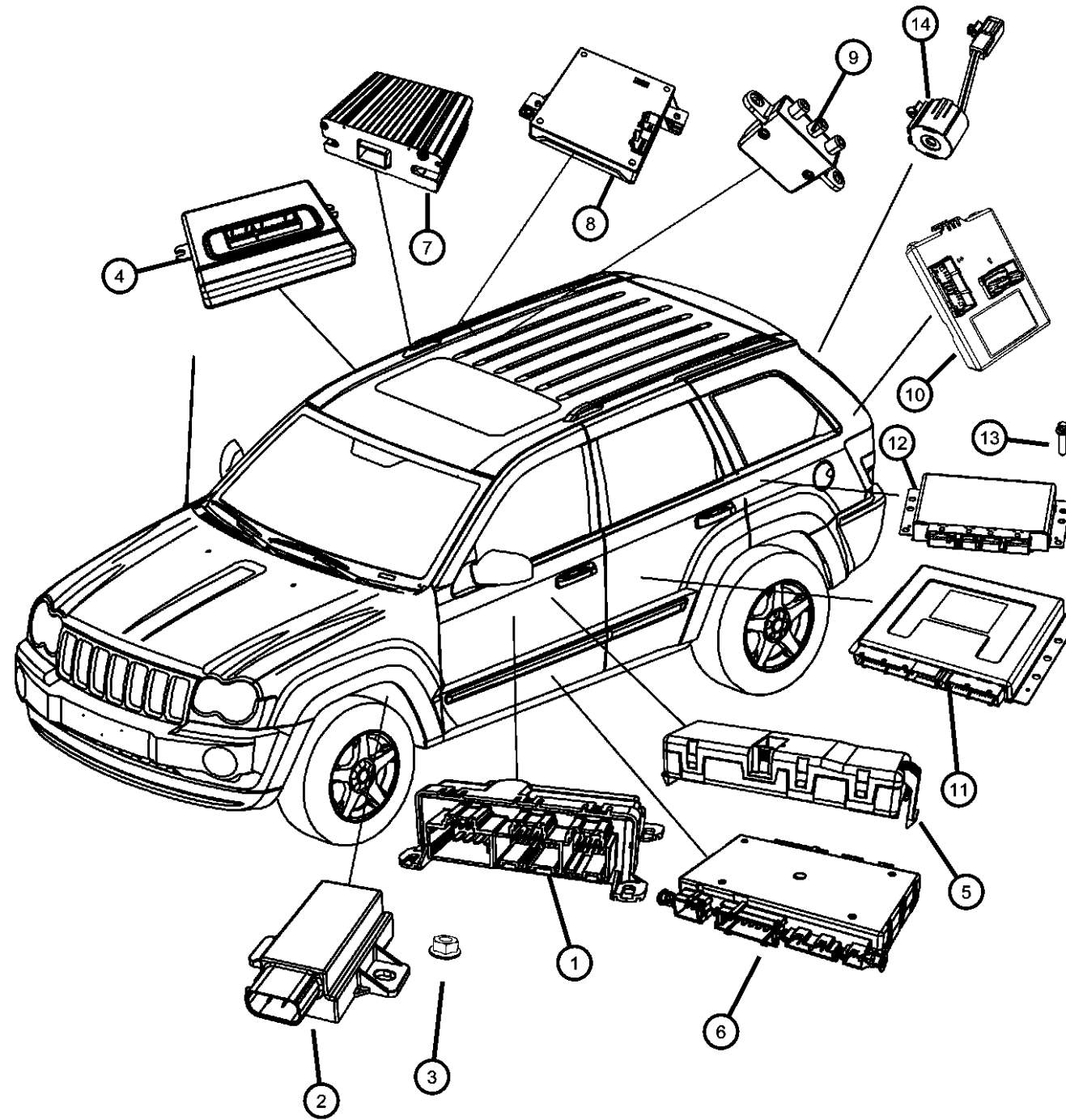


ITEM	PART NUMBER	QTY	LINE	SERIES	BODY	ENGINE	TRANS	TRIM	DESCRIPTION
1	68055299AE	1	J, T, U		74				MODULE, Door Left
	04602910AG	1	J, T, U		74				[GU5], Right
	04602911AG	1	J, T, U		74				[GU5], Left
	68055298AE	1	J, T, U		74				Right
2	56029401AG	1	J, T, U		74			MODULE, Low Tire Pressure Warning	
3	06104708AA	2	J, T, U		74			NUT, Hex, M6	
4	05035000AC	1	J		74	ESG			MODULE, Transfer Case Control
	56029423AE	1	J, U		74				
5	05026628AI	1	J, T, U		74				MODULE, Heated Seat [JPM], [JPZ] Up to 6/18/10
	05026633AJ	1	J, T, U		74				[JPM], [JPZ], [NHS], [CAJ] After 6/18/10
	05026627AI	1	J, T, U		74				[JPM] Up to 6/18/10
	05026627AJ	1	J, T, U		74				[JPM] After 6/18/10
	05026632AJ	1	J, T, U		74				[JPM], [JPZ], [NHS] After 6/18/10
	05026633AI	1	J, T, U		74				[JPM], [JPZ], [NHS], [CAJ] Up to 6/18/10
	05026628AJ	1	J, T, U		74				[JPM], [JPZ] After 6/18/10
	05026632AI	1	J, T, U		74				[JPM], [JPZ], [NHS] Up to 6/18/10
6	05026614AJ	1	J, T, U		74				MODULE, Memory Seat And Mirror Control
	05026615AJ	1	J, T, U		74				[SUB] Up to 6/7/10
	05026615AK	1	J, T, U		74				[SUB] After 6/7/10
7	05026486AA	1	J, T, U		74				MODULE, Power Inverter [X8Z]
	05026278AB	1			74				Without bracket
8	68052899AD	1	J, T, U		74				RECEIVER, Passive Entry
	05026648AF	1	J, T, U		74				Export
9	05107083AB	1	J	S	74				MODULE, Multimedia
		1	J	P	74				
		1	T	S	74				

GRAND CHEROKEE (WK)
 SERIES LINE BODY ENGINE TRANSMISSION
 H = HIGHLINE T = JEEP - 2WD 74 = SPORT UTILITY 4-DR ERB = 3.XL Mid V6 Engine DGQ = 5-Speed Automatic 545RFE
 P = PREMIUM J = JEEP - 4WD TYPE #4 EZH = 5.7L V8 HEMI MDS Transmission
 S = SPORT U = JEEP - 4WD (RHD) VVT Engine DGJ = 5-Speed Auto W5A580
 EXF = 3.0L V6 Turbo Diesel Engine Transmission

AR = use ase required - = Non illustrated part

Modules Body
Figure 8-420



ITEM	PART NUMBER	QTY	LINE	SERIES	BODY	ENGINE	TRANS	TRIM	DESCRIPTION
		1	T	P	74				MODULE, Liftgate
10	05026480AH	1	J, T, U		74				Up to 6/21/10
	05026480AI	1	J, T, U		74				After 6/21/10 and up to 08/02/10
	05026480AJ	1	J, T, U		74				After 08/02/10
11	56029558AD	1	J, T, U		74				MODULE, Air Suspension
12	04854777AD	1	J, T, U		74	EXF, EZH			MODULE, AWD Driveline
13	06104708AA	2	J, T, U		74				NUT, Hex, M6
14	55364517AB	1	J, T, U		74				CHIME, Warning

GRAND CHEROKEE (WK)

SERIES LINE
H = HIGHLINE T = JEEP - 2WD
P = PREMIUM J = JEEP - 4WD
S = SPORT U = JEEP - 4WD (RHD)

BODY
74 = SPORT UTILITY 4-DR
TYPE #4

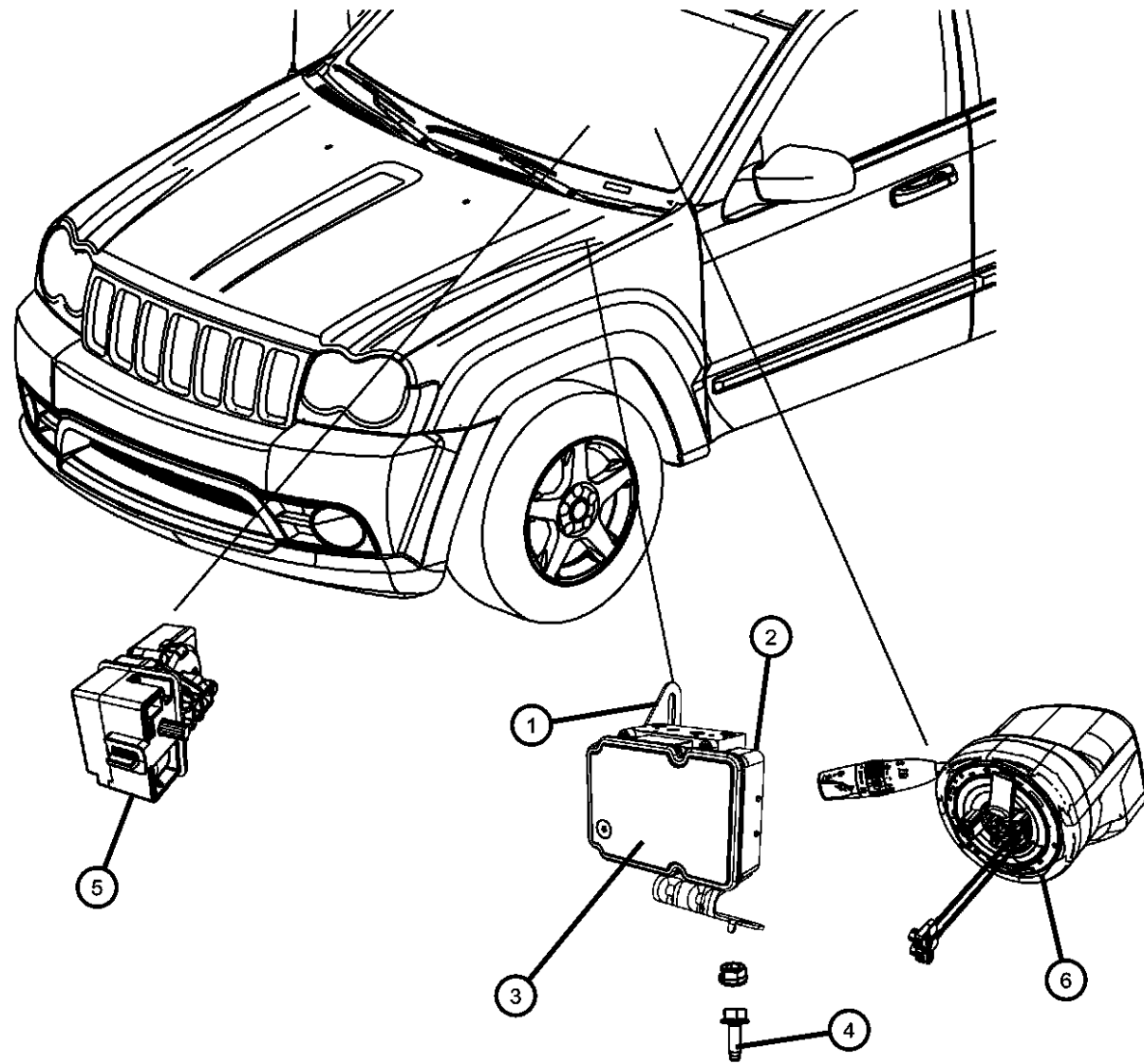
ENGINE
ERB = 3.0L Mid V6 Engine
EZH = 5.7L V8 HEMI MDS
VVT Engine
EXF = 3.0L V6 Turbo Diesel
Engine

TRANSMISSION
DGQ = 5-Spd Automatic 545RFE
Transmission
DGJ = 5-Speed Auto W5A580
Transmission

AR = use ase required - = Non illustrated part

2011 WK

Modules, Brakes, Suspension, and Steering
Figure 8-430



ITEM	PART NUMBER	QTY	LINE	SERIES	BODY	ENGINE	TRANS	TRIM	DESCRIPTION
1	68085390AA	1	J, T, U		74				BRACKET, Hydraulic Control Unit
2									CONTROL UNIT, Anti-Lock Brake
	68085389AA	1	J, T, U		74				[NHM], Hydraulic Assembly ABS
	68085397AA	1	J, T, U		74				[NHP], Hydraulic Assembly ABS
3									MODULE, Anti-Lock Brake System
	68085398AD	1	J, T		74	ERB, EZH			[NHM]
	68085387AB	1	J, T		74	EXF			
		1	U		74				
	68085396AB	1	J, T, U		74				[NHP]
4	68085393AA	3	J, T, U		74				SCREW, Hex Head
5	05026788AA	1	J, T, U		74				MODULE, Steering Column
6									MODULE, Steering Column
	1HE78XTWAE	1	J, T, U		74				[D3] [SUD]
	1HE79DX9AC	1	J, T, U		74				[XL][SUB]
	1HE78DX9AE	1	J, T, U		74				[X9] [SUD]
	1HE79HL9AC	1	J, T, U		74				[L9][SUB]
	1HE80DX9AC	1	J, T, U		74				[X9][SUB,NHS]
	1HE80HL9AC	1	J, T, U		74				[L9][SUB,NHS]

GRAND CHEROKEE (WK)

SERIES LINE
H = HIGHLINE T = JEEP - 2WD
P = PREMIUM J = JEEP - 4WD
S = SPORT U = JEEP - 4WD (RHD)

BODY
74 = SPORT UTILITY 4-DR
TYPE #4

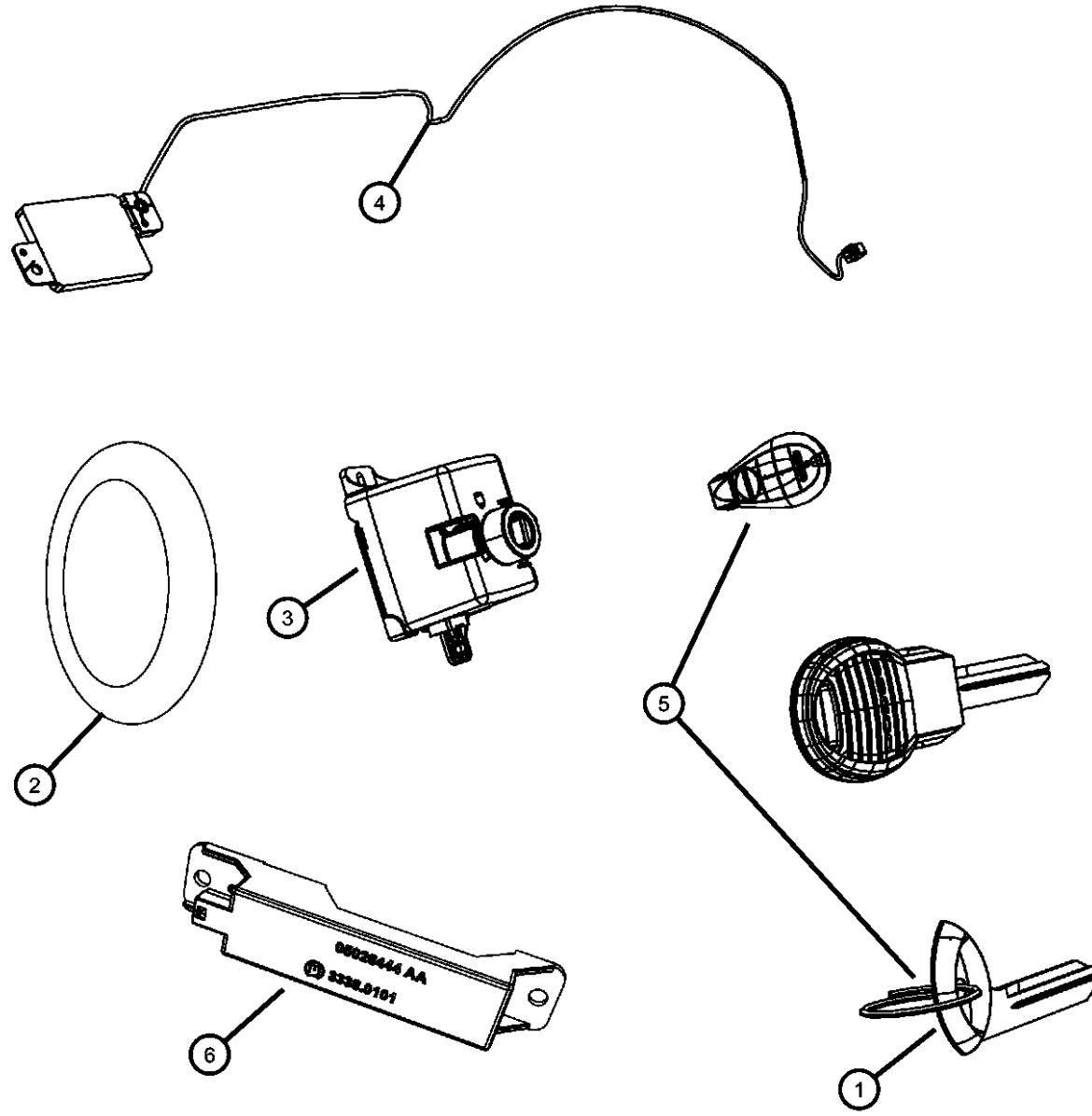
ENGINE
ERB = 3.0L V6 Engine
EZH = 5.7L V8 HEMI MDS
VVT Engine
EXF = 3.0L V6 Turbo Diesel
Engine

TRANSMISSION
DGQ = 5-Spd Automatic 545RFE
Transmission
DGJ = 5-Speed Auto W5A580
Transmission

AR = use ase required - = Non illustrated part

2011 WK

Receiver Modules, Keys and Key FOBS
Figure 8-435



ITEM	PART NUMBER	QTY	LINE	SERIES	BODY	ENGINE	TRANS	TRIM	DESCRIPTION
1	68029829AB	1	J, T, U		74				KEY, Blank
2	05066241AB	1	J, T, U		74				BATTERY, Transmitter
3									RECEIVER, Wireless Ignition Node
	05026535AE	1	J, T, U		74				[XBM]
	05026647AF	1	J, T, U		74				Export
	05026534AE	1	J, T, U		74				[JRC]
	05026533AE	1	J, T, U		74				
4									ANTENNA, Remote Start And Keyless Entry
	68061764AB	1	J, T, U		74				
	68061763AB	1	J, T, U		74				[XBM]
5									TRANSMITTER KIT, Integrated Key FOB
	68080514AA	1	J, T, U		74				Export
	68080516AA	1	J, T, U		74				[GX1], Export
	68080517AA	1	J, T, U		74				[GX1], [JRC], Export
	68080515AA	1	J, T, U		74				[JRC], Export
	68080519AA	1	J, T, U		74				[XBM], [JRC]
	68081048AA	1	J, T, U		74				[XBM]
	68080518AA	1	J, T, U		74				
	68081445AA	1	J, T, U		74				[JRC]
6	05026444AA	1	J, T, U		74				ANTENNA, Passive Entry

GRAND CHEROKEE (WK)

SERIES LINE
H = HIGHLINE T = JEEP - 2WD
P = PREMIUM J = JEEP - 4WD
S = SPORT U = JEEP - 4WD (RHD)

BODY
74 = SPORT UTILITY 4-DR TYPE #4

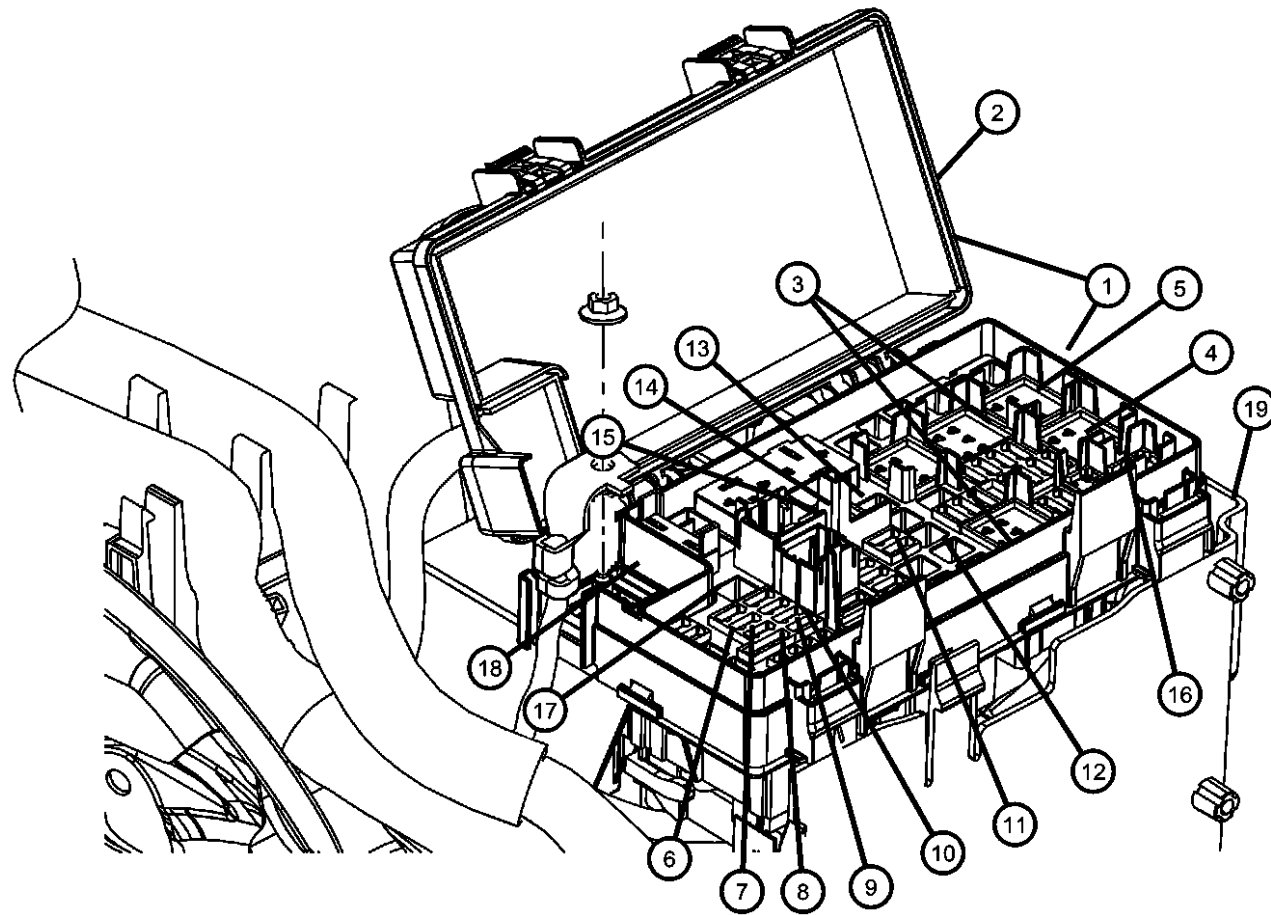
ENGINE
ERB = 3.0L Mid V6 Engine
EZH = 5.7L V8 HEMI MDS VVT Engine
EXF = 3.0L V6 Turbo Diesel Engine

TRANSMISSION
DGQ = 5-Spd Automatic 545RFE Transmission
DGJ = 5-Speed Auto W5A580 Transmission

AR = use ase required - = Non illustrated part

2011 WK

**Power Distribution Center
Figure 8-505**



ITEM	PART NUMBER	QTY	LINE	SERIES	BODY	ENGINE	TRANS	TRIM	DESCRIPTION
1	04692315AF	1	J, T, U		74				MODULE, Totally Integrated Power Export
	04692316AE	1	J, T, U		74				
2	68083376AA	1	J, T, U		74				COVER, Totally Integrated Power Module
3	04692139AA	1	J, T, U		74				RELAY, Mini
4									RELAY, Micro
	68083380AA	1	J, T, U		74				
	68110952AA	1	U		74	ERB			
		1	J, T		74	EZ0			
		1	J, T, U		74	EXF			
5	56007078AB	1	J, T, U		74	EXF			RELAY
6	000ATM10	1	J, T, U		74				FUSE, Mini, 10 AMP, Red
7	000ATM15	1	J, T, U		74				FUSE, Mini, 15 AMP, Light Blue
8	000ATM20	1	J, T, U		74				FUSE, Mini, 20 AMP, Yellow
9	000ATM25	1	J, T, U		74				FUSE, Mini, 25 Amp, Natural
10	000ATM30	1	J, T, U		74				FUSE, Mini, 30 AMP, Green
11	68083433AA	1	J, T, U		74				FUSE CARTRIDGE, 20 Amp
12	68083434AA	1	J, T, U		74				FUSE CARTRIDGE, 25 Amp
13	68083436AA	1	J, T, U		74				FUSE CARTRIDGE, 30 Amp
14	68083437AA	1	J, T, U		74				FUSE CARTRIDGE, 40 Amp
15	68083439AA	1	J, T, U		74				FUSE CARTRIDGE, 60 Amp
16	68083379AA	1	J, T, U		74				BREAKER, Circuit
17									HOLDER, Fuse
	68083377AA	1	J, T, U		74				Has 2 10 amp mini fuses
	68083378AA	1	J, T, U		74				Includes IOD fuse
18	68083375AA	1	J, T, U		74				PLATE, Alignment
19	04692263AD	1	J, T, U		74				BRACKET, TIPM

GRAND CHEROKEE (WK)

SERIES LINE
H = HIGHLINE T = JEEP - 2WD
P = PREMIUM J = JEEP - 4WD
S = SPORT U = JEEP - 4WD (RHD)

BODY
74 = SPORT UTILITY 4-DR
TYPE #4

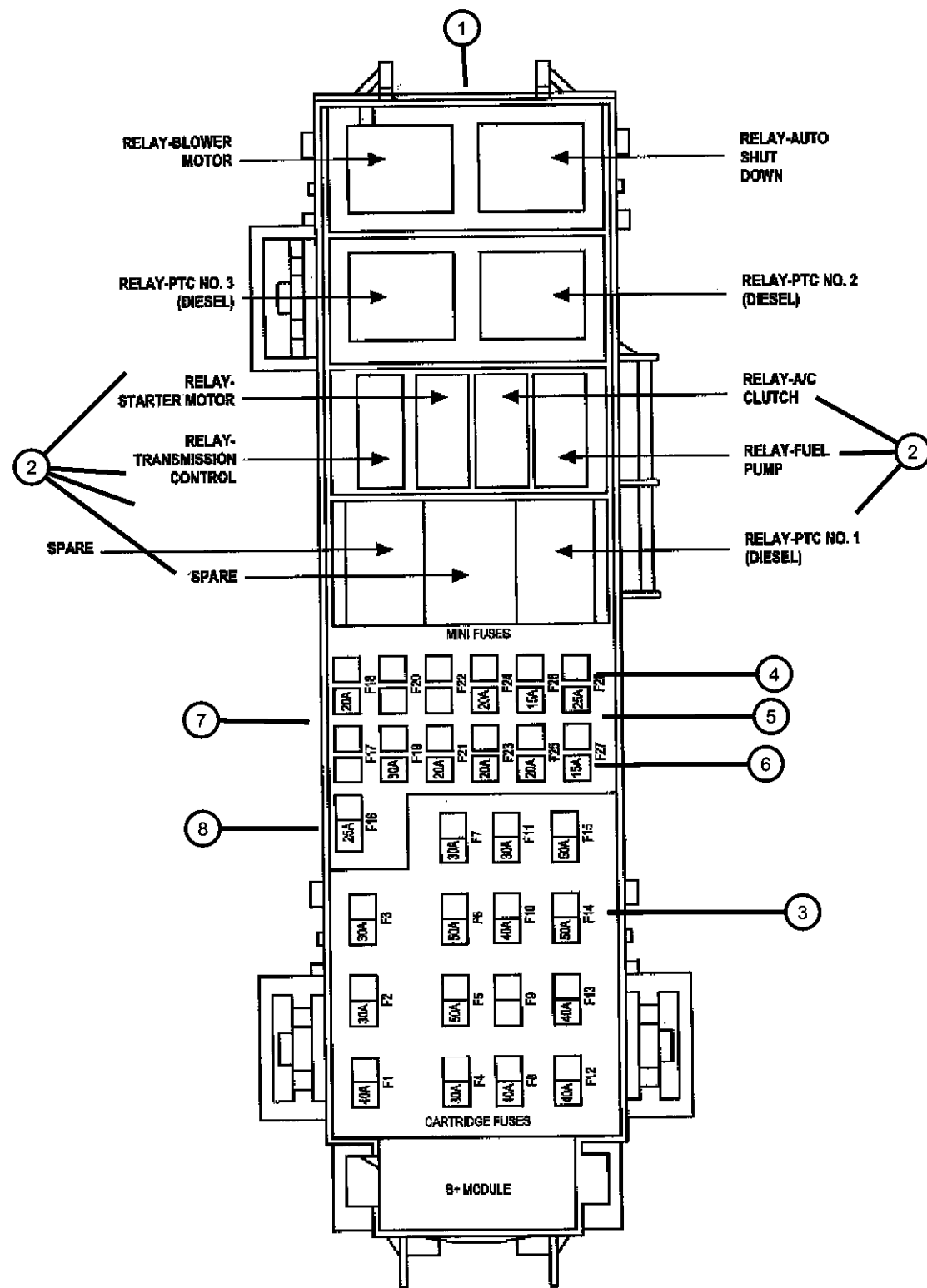
ENGINE
ERB = 3.0L Mid V6 Engine
EZH = 5.7L V8 HEMI MDS
VVT Engine
EXF = 3.0L V6 Turbo Diesel
Engine

TRANSMISSION
DGQ = 5-Spd Automatic 545RFE
Transmission
DGJ = 5-Speed Auto W5A580
Transmission

AR = use ase required - = Non illustrated part

2011 WK

**Power Distribution Center
Figure 8-510**



ITEM	PART NUMBER	QTY	LINE	SERIES	BODY	ENGINE	TRANS	TRIM	DESCRIPTION
1		1							POWER DISTRIBUTION CENTER, Serviced in Headlamp to Dash Wiring, (NOT SERVICED)
2									RELAY, Mini
	68110956AA	1	J, T		74	EZ0			
		1	J, T, U		74	EXF			Mini ISO
	68110974AA	1	J, T, U		74	EXF			
	04692139AA	1	J, T, U		74				
		1	U		74	ERB			
3	68083436AA	1	J, T, U		74				FUSE CARTRIDGE, 30 Amp
4									FUSE, Mini, 10 AMP, Red
	68110976AA	1	J, T, U		74	EXF			
	000ATM10	1	J, T, U		74				
5									FUSE, Mini, 15 AMP, Light Blue
	000ATM15	1	J, T, U		74				
	68110975AA	1	J, T, U		74	EXF			
6	000ATM20	1	J, T, U		74				FUSE, Mini, 20 AMP, Yellow
7	68110977AA	1	J, T, U		74	EXF			FUSE, Mini, 25 Amp, Natural
8	68110980AA	1	J, T, U		74	EXF			FUSE, J Case, 50 AMP

GRAND CHEROKEE (WK)

SERIES LINE
H = HIGHLINE T = JEEP - 2WD
P = PREMIUM J = JEEP - 4WD
S = SPORT U = JEEP - 4WD (RHD)

BODY
74 = SPORT UTILITY 4-DR
TYPE #4

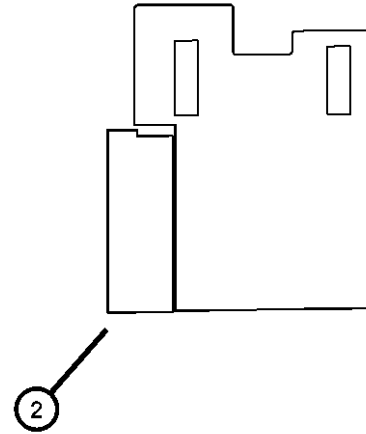
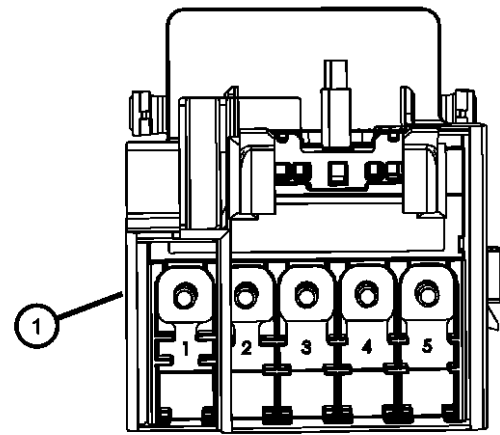
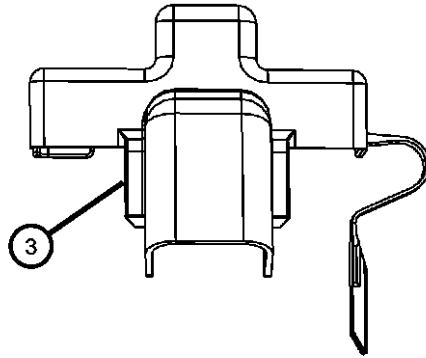
ENGINE
ERB = 3.0L Mid V6 Engine
EZH = 5.7L V8 HEMI MDS
VVT Engine
EXF = 3.0L V6 Turbo Diesel
Engine

TRANSMISSION
DGQ = 5-Spd Automatic 545RFE
Transmission
DGJ = 5-Speed Auto W5A580
Transmission

AR = use ase required - = Non illustrated part

Fuse Block
Figure 8-515

ITEM	PART NUMBER	QTY	LINE	SERIES	BODY	ENGINE	TRANS	TRIM	DESCRIPTION
1	68089468AA	1	J, T		74	ERB			BLOCK, Fuse Contains positive remote jump terminal and fuses serviced in fuse block only
		1	U		74	ERB			Contains positive remote jump terminal and fuses serviced in fuse block only
2	68089469AA	1	J, T		74	ERB			COVER, Fuse Access
		1	U		74	ERB			
3	68089466AA	1	J, T		74	ERB			CAP, Jump Post
		1	U		74	ERB			



GRAND CHEROKEE (WK)

SERIES LINE
H = HIGHLINE T = JEEP - 2WD
P = PREMIUM J = JEEP - 4WD
S = SPORT U = JEEP - 4WD (RHD)

BODY
74 = SPORT UTILITY 4-DR
TYPE #4

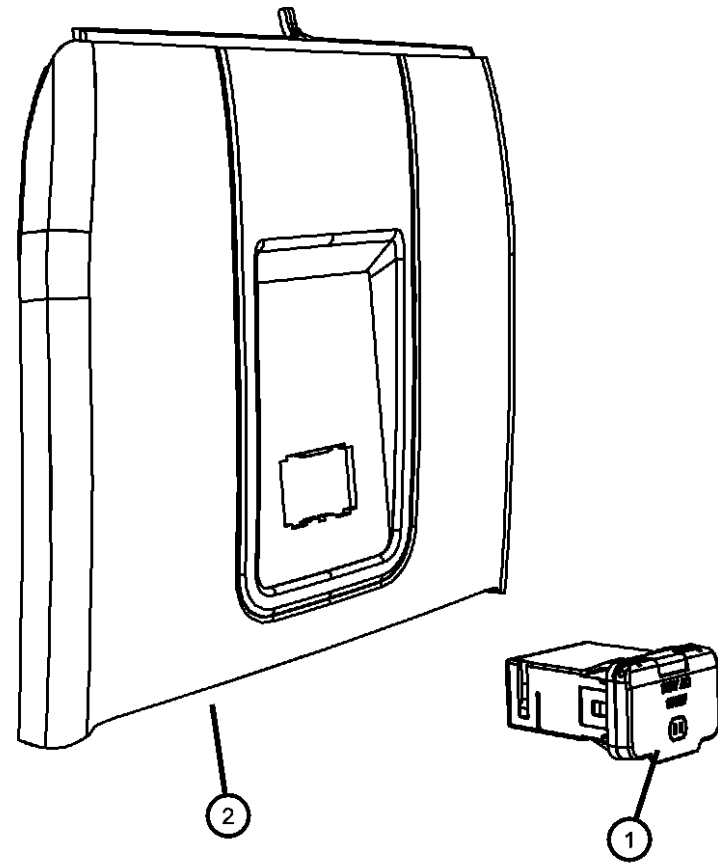
ENGINE
ERB = 3.0L V6 Engine
EZH = 5.7L V8 HEMI MDS
VVT Engine
EXF = 3.0L V6 Turbo Diesel
Engine

TRANSMISSION
DGQ = 5-Spd Automatic 545RFE
Transmission
DGJ = 5-Speed Auto W5A580
Transmission

AR = use ase required - = Non illustrated part

2011 WK

**Power Invertor Outlet
Figure 8-520**



ITEM	PART NUMBER	QTY	LINE	SERIES	BODY	ENGINE	TRANS	TRIM	DESCRIPTION
1	05082095AB	1	T	P	74				POWER OUTLET, Inverter
2									END CAP, Console
	1TL281X9AA	1	J	H	74				[X9] [JKV]
	1TL43DX9AA	1	J	P	74				[X9] [JKV], [XRV]
	1TL43HL1AA	1	T	P	74				[XL] [JKV], [XRV]
		1	J	S	74				[L9] [JKV], [XRV]
	1TL281D3AA	1	T	H	74				[D3] [JKV]
		1	J	H	74				[D3] [JKV]
		1	T	H	74				[X9] [JKV]
		1	T	S	74				[L9] [JKV], [XRV]
		1	J	P	74				[XL] [JKV], [XRV]
	1TL47DX9AA	1	J	P	74				[X9] [JKV], [RER], [RSP]
		1	T	S	74				[X9] [JKV], [RER], [RSP]
	1TL47HL1AA	1	J	P	74				[XL] [JKV], [RER], [RSP]
		1	J	S	74				[L9] [JKV], [RER], [RSP]
		1	J	S	74				[X9] [JKV], [RER], [RSP]
		1	T	P	74				[X9] [JKV], [RER], [RSP]
		1	T	P	74				[XL] [JKV], [RER], [RSP]
		1	T	S	74				[L9] [JKV], [RER], [RSP]

GRAND CHEROKEE (WK)

SERIES LINE
H = HIGHLINE T = JEEP - 2WD
P = PREMIUM J = JEEP - 4WD
S = SPORT U = JEEP - 4WD (RHD)

BODY
74 = SPORT UTILITY 4-DR
TYPE #4

ENGINE
ERB = 3.0L Mid V6 Engine
EZH = 5.7L V8 HEMI MDS
VVT Engine
EXF = 3.0L V6 Turbo Diesel
Engine

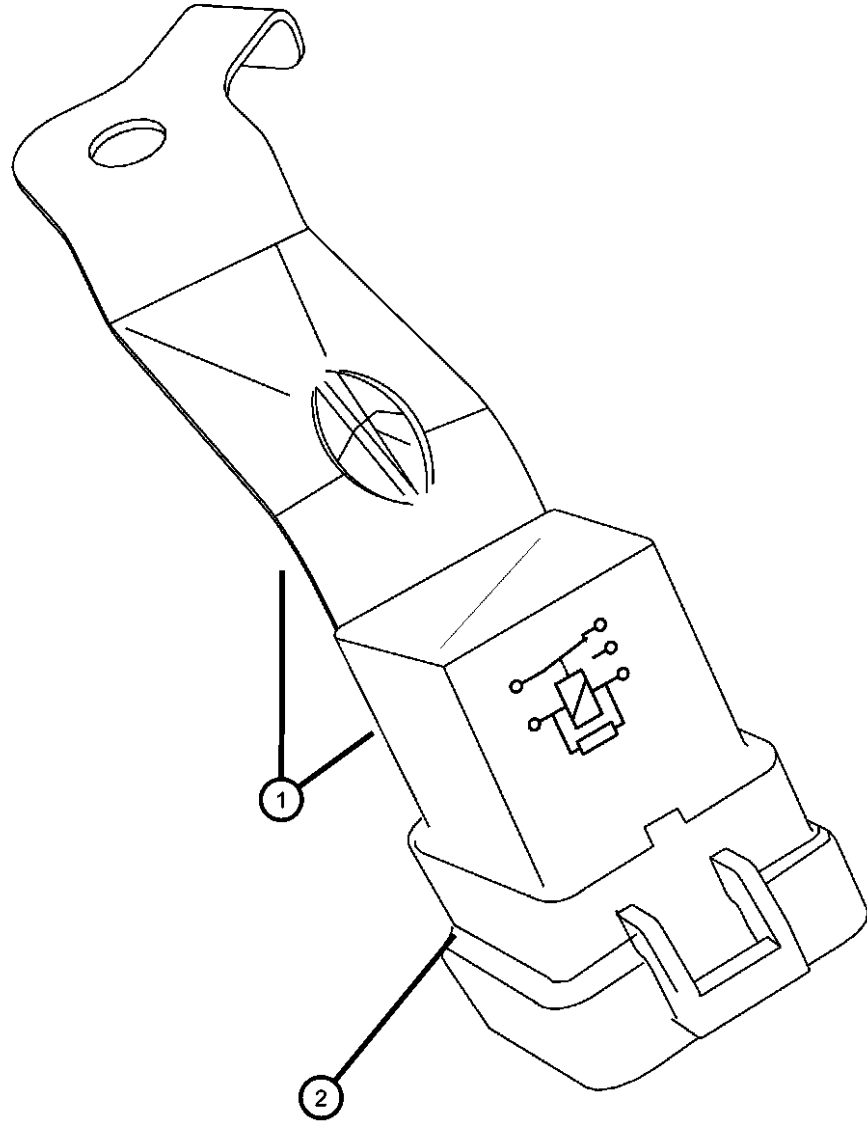
TRANSMISSION
DGQ = 5-Spd Automatic 545RFE
Transmission
DGJ = 5-Speed Auto W5A580
Transmission

AR = use ase required - = Non illustrated part

2011 WK

**Relay Vacuum Pump
Figure 8-540**

ITEM	PART NUMBER	QTY	LINE	SERIES	BODY	ENGINE	TRANS	TRIM	DESCRIPTION
1	68086357AA	1	J, T, U		74	ERB			RELAY AND BRACKET, VACUUM PUMP
2	56007080AB	1	J, T, U		74	ERB			RELAY, Relay only



GRAND CHEROKEE (WK)

SERIES LINE
H = HIGHLINE T = JEEP - 2WD
P = PREMIUM J = JEEP - 4WD
S = SPORT U = JEEP - 4WD (RHD)

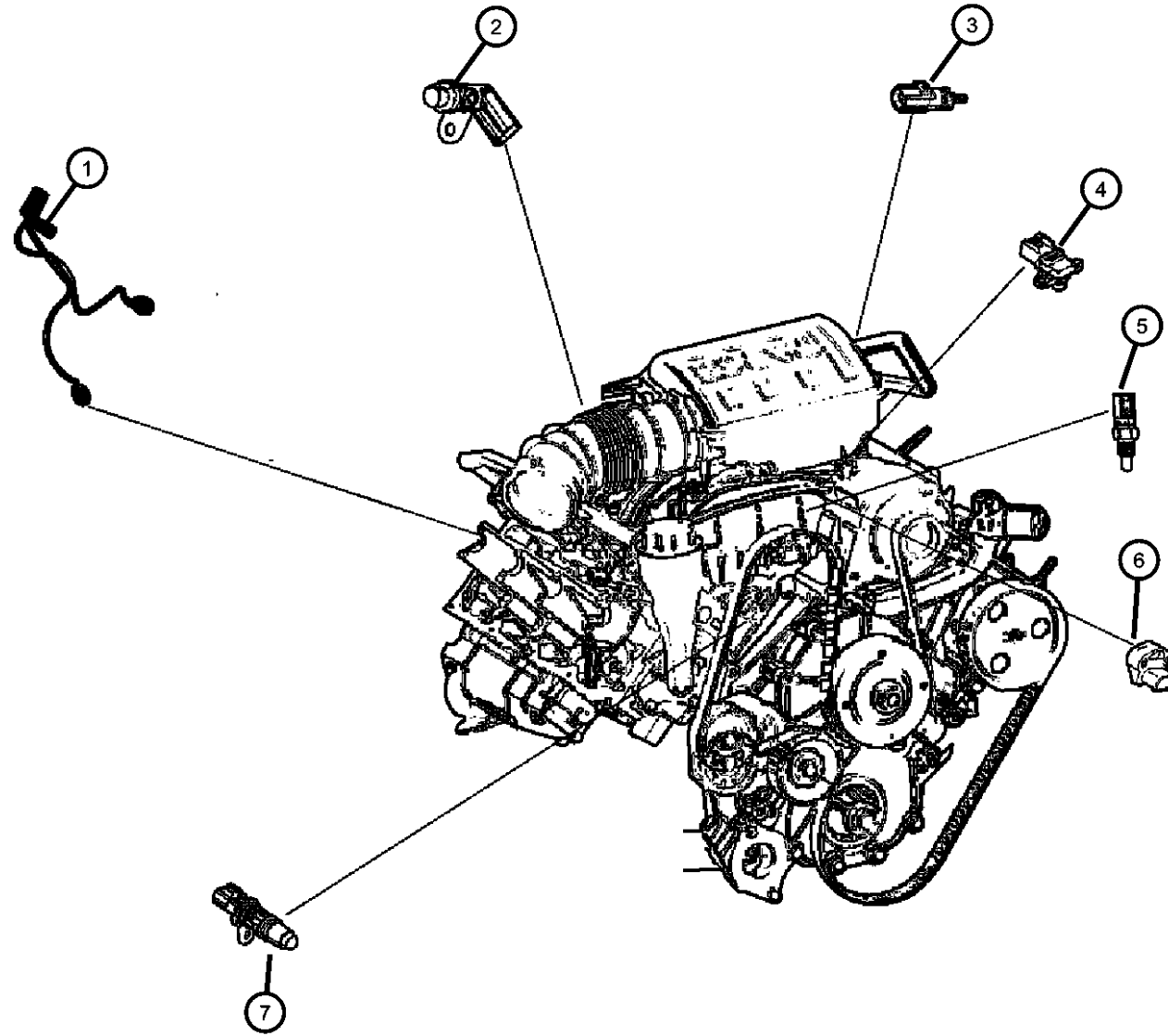
BODY
74 = SPORT UTILITY 4-DR
TYPE #4

ENGINE
ERB = 3.0L Mid V6 Engine
EZH = 5.7L V8 HEMI MDS
VVT Engine
EXF = 3.0L V6 Turbo Diesel
Engine

TRANSMISSION
DGQ = 5-Spd Automatic 545RFE
Transmission
DGJ = 5-Speed Auto W5A580
Transmission

AR = use ase required - = Non illustrated part

Sensors, Gas Engine
Figure 8-605



ITEM	PART NUMBER	QTY	LINE	SERIES	BODY	ENGINE	TRANS	TRIM	DESCRIPTION
1	05149188AA	2	J, T, U		74	ERB			SENSOR, Knock
2	05149167AD	1	J, T, U		74	ERB			SENSOR, Crankshaft Position
3	05149182AB	1	J, T, U		74	ERB			SENSOR, Air Temperature
4	05149174AA	1	J, T, U		74	ERB			SENSOR, MAP
5	05149077AB	1	J, T		74	ERB			SENSOR, Coolant Temperature
6		1							SENSOR, Throttle Position, serviced in throttle body, (NOT SERVICED)
7	05149141AF	2	J, T, U		74	ERB			SENSOR, Camshaft

GRAND CHEROKEE (WK)

SERIES LINE
H = HIGHLINE T = JEEP - 2WD
P = PREMIUM J = JEEP - 4WD
S = SPORT U = JEEP - 4WD (RHD)

BODY
74 = SPORT UTILITY 4-DR
TYPE #4

ENGINE
ERB = 3.0L Mid V6 Engine
EZH = 5.7L V8 HEMI MDS
VVT Engine
EXF = 3.0L V6 Turbo Diesel
Engine

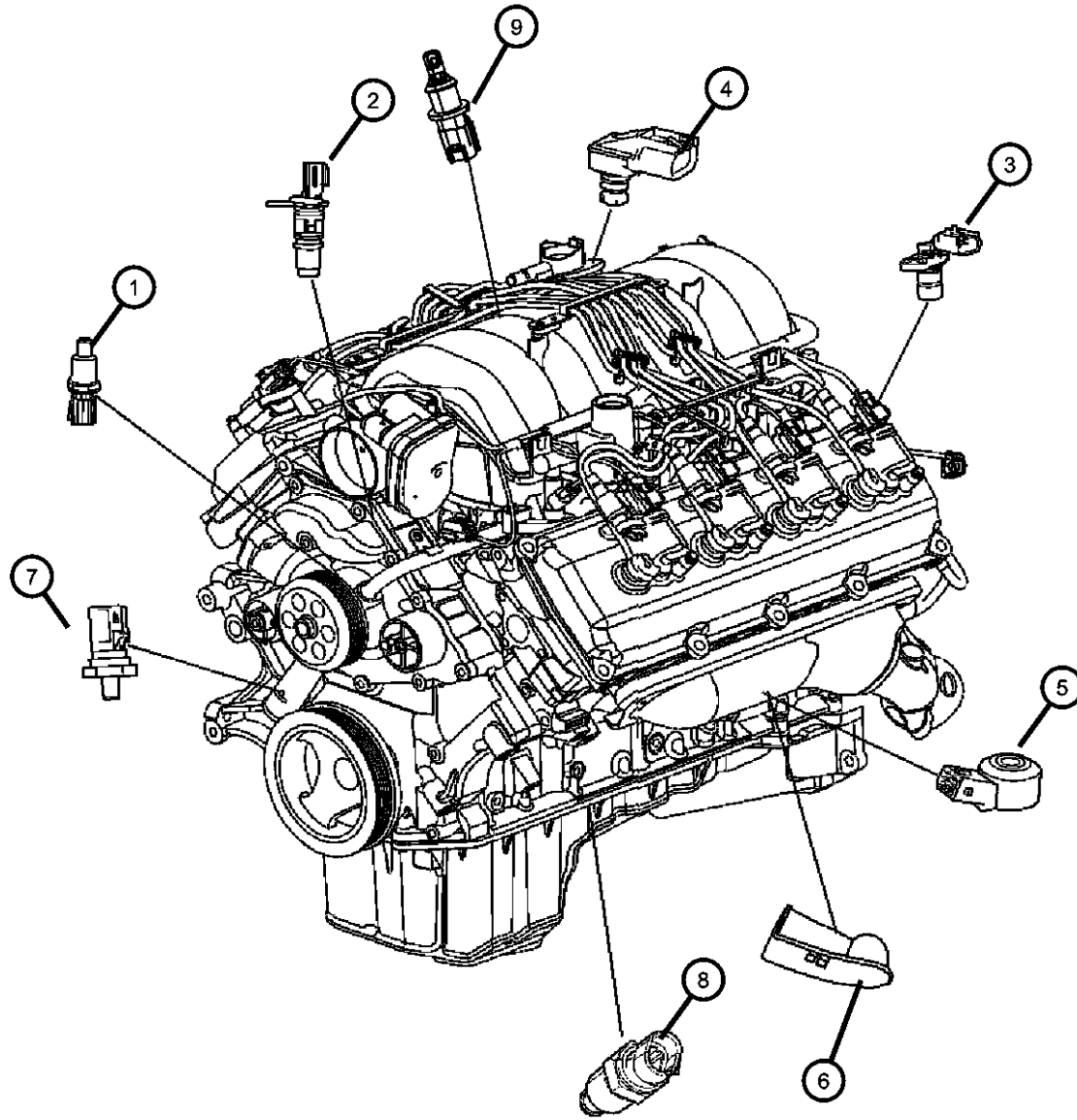
TRANSMISSION
DGQ = 5-Spd Automatic 545RFE
Transmission
DGJ = 5-Speed Auto W5A580
Transmission

AR = use ase required - = Non illustrated part

2011 WK

Sensors, Gas Engine
Figure 8-607

ITEM	PART NUMBER	QTY	LINE	SERIES	BODY	ENGINE	TRANS	TRIM	DESCRIPTION
1	05149096AB	1	J, T, U		74	EZH			SENSOR, Coolant Temperature, In water pump
2	05149054AC	1	J, T, U		74	EZH			SENSOR, Camshaft
3	05149230AA	1	J, T, U		74	EZH			SENSOR, Crankshaft Position
4	05033310AC	1	J, T, U		74	EZH			SENSOR, MAP
5	05033316AA	2	J, T, U		74	EZH			SENSOR, Knock
6									SHIELD, Heat
	05094164AB	1	J, T, U		74	EZH			Left
	68083366AA	1	J, T, U		74	EZH			Right
7	05149062AA	1	J, T, U		74	EZH			SENDING UNIT, Oil Pressure
8	05149077AB	1	J, T, U		74	EZH			SENSOR, Coolant Temperature, Engine oil temp
9	05149279AA	1	J, T, U		74	EZH			SENSOR, Charge Air Temp



GRAND CHEROKEE (WK)

SERIES LINE
H = HIGHLINE T = JEEP - 2WD
P = PREMIUM J = JEEP - 4WD
S = SPORT U = JEEP - 4WD (RHD)

BODY
74 = SPORT UTILITY 4-DR TYPE #4

ENGINE
ERB = 3.0L Mid V6 Engine
EZH = 5.7L V8 HEMI MDS VVT Engine
EXF = 3.0L V6 Turbo Diesel Engine

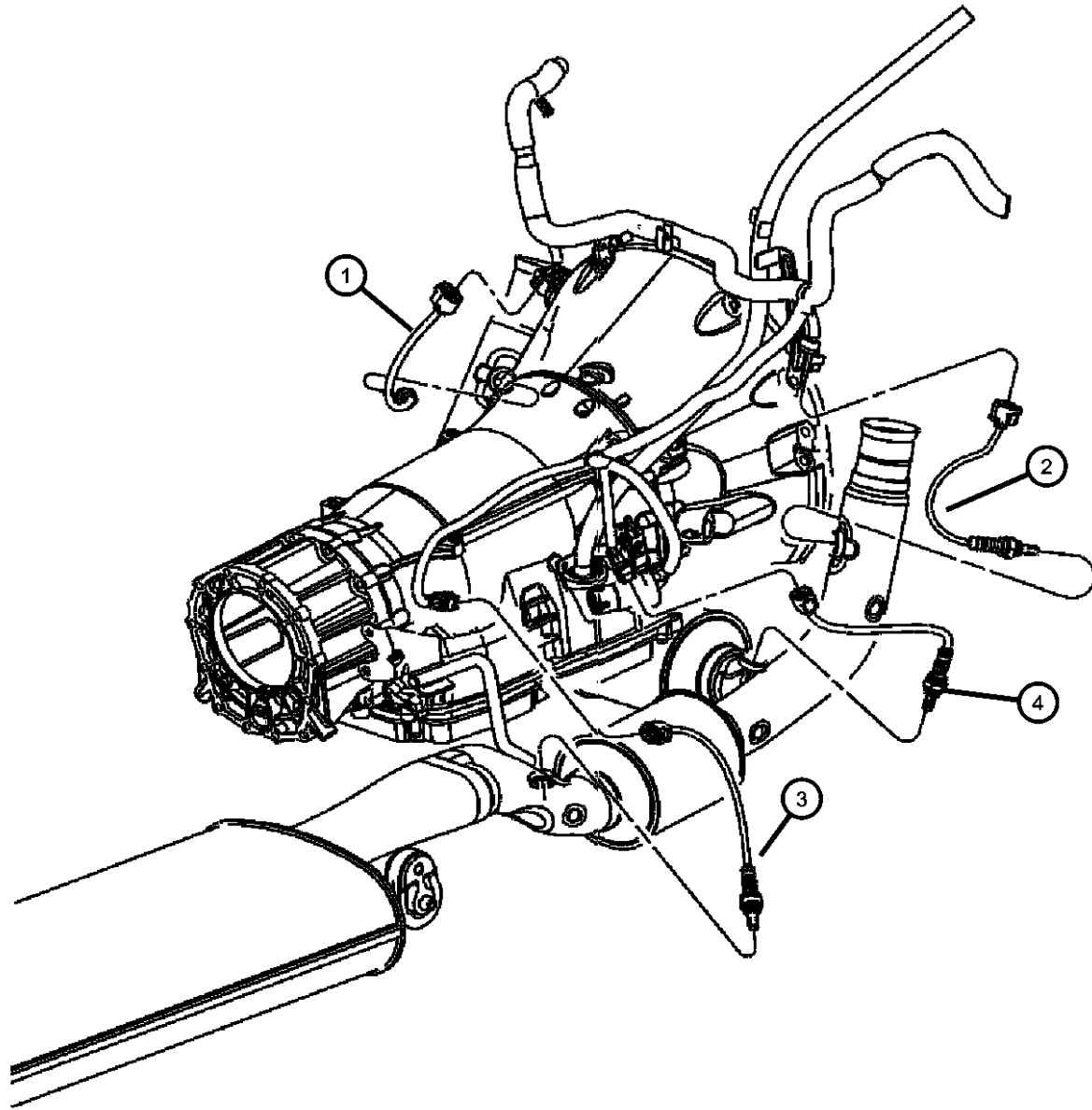
TRANSMISSION
DGQ = 5-Spd Automatic 545RFE Transmission
DGJ = 5-Speed Auto W5A580 Transmission

AR = use ase required - = Non illustrated part

2011 WK

Sensors Oxygen Gas
Figure 8-615

ITEM	PART NUMBER	QTY	LINE	SERIES	BODY	ENGINE	TRANS	TRIM	DESCRIPTION
1	05149180AA	1	J, T, U		74	ERB			SENSOR, OxygenBefore Catalyst, Left
2	05149180AA	1	J, T, U		74	ERB			SENSOR, OxygenBefore Catalyst, Right
3	05149180AA	1	J, T, U		74	ERB			SENSOR, OxygenAfter Catalyst, Left
4	05149180AA	1	J, T, U		74	ERB			SENSOR, OxygenAfter Catalyst, Right



GRAND CHEROKEE (WK)

SERIES LINE
H = HIGHLINE T = JEEP - 2WD
P = PREMIUM J = JEEP - 4WD
S = SPORT U = JEEP - 4WD (RHD)

BODY
74 = SPORT UTILITY 4-DR
TYPE #4

ENGINE
ERB = 3.XL Mid V6 Engine
EZH = 5.7L V8 HEMI MDS
VVT Engine
EXF = 3.0L V6 Turbo Diesel
Engine

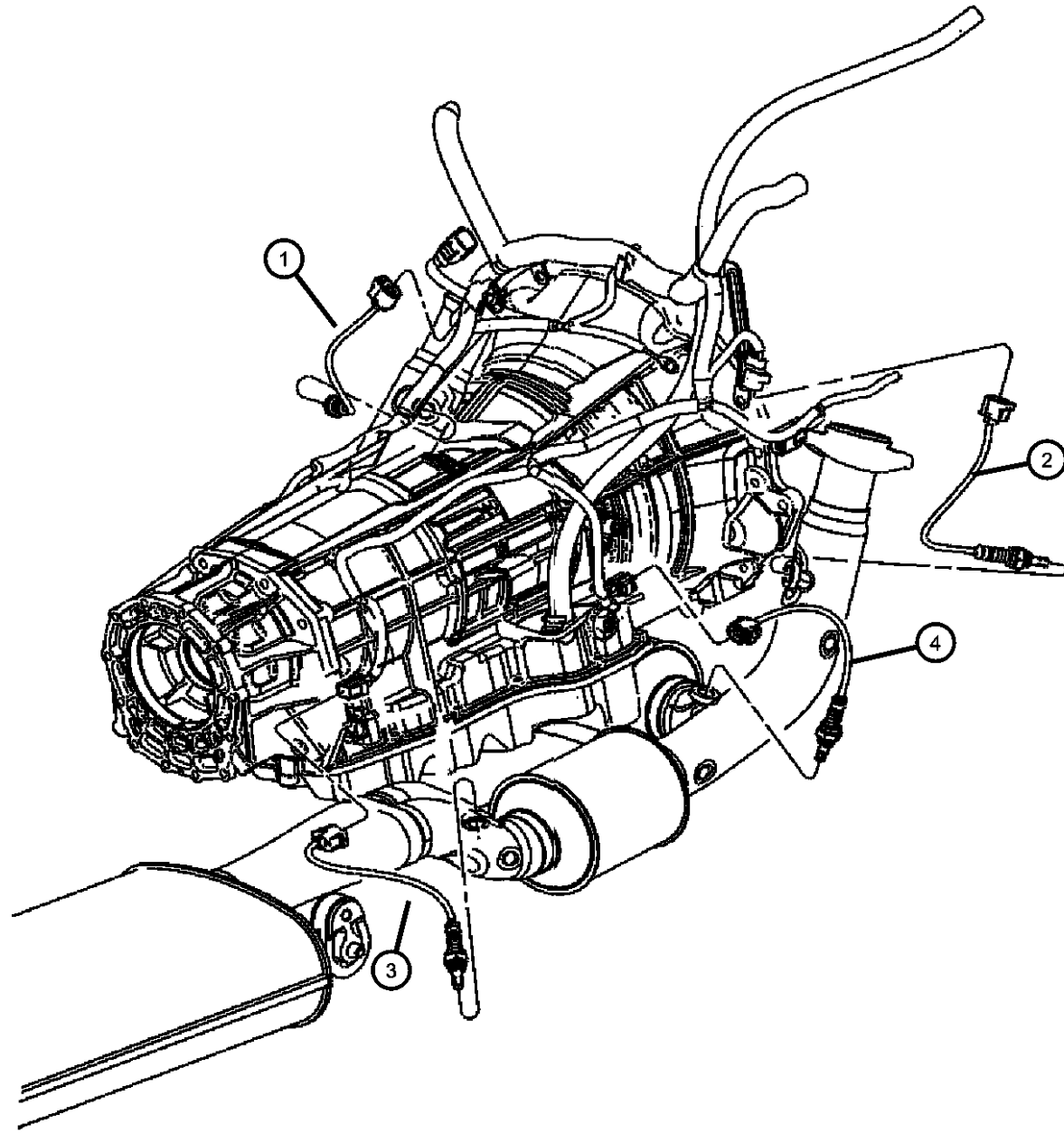
TRANSMISSION
DGQ = 5-Spd Automatic 545RFE
Transmission
DGJ = 5-Speed Auto W5A580
Transmission

AR = use ase required - = Non illustrated part

2011 WK

Sensors Oxygen Gas
Figure 8-617

ITEM	PART NUMBER	QTY	LINE	SERIES	BODY	ENGINE	TRANS	TRIM	DESCRIPTION
1	05149170AA	1	J, T, U		74	EZH			SENSOR, OxygenBefore Catalyst, Left
2	05149170AA	1	J, T, U		74	EZH			SENSOR, OxygenBefore Catalyst, Right
3	05149170AA	1	J, T, U		74	EZH			SENSOR, OxygenAfter Catalyst, Left
4	05149170AA	1	J, T, U		74	EZH			SENSOR, OxygenAfter Catalyst, Right



GRAND CHEROKEE (WK)

SERIES LINE
H = HIGHLINE T = JEEP - 2WD
P = PREMIUM J = JEEP - 4WD
S = SPORT U = JEEP - 4WD (RHD)

BODY
74 = SPORT UTILITY 4-DR
TYPE #4

ENGINE
ERB = 3.XL Mid V6 Engine
EZH = 5.7L V8 HEMI MDS
VVT Engine
EXF = 3.0L V6 Turbo Diesel
Engine

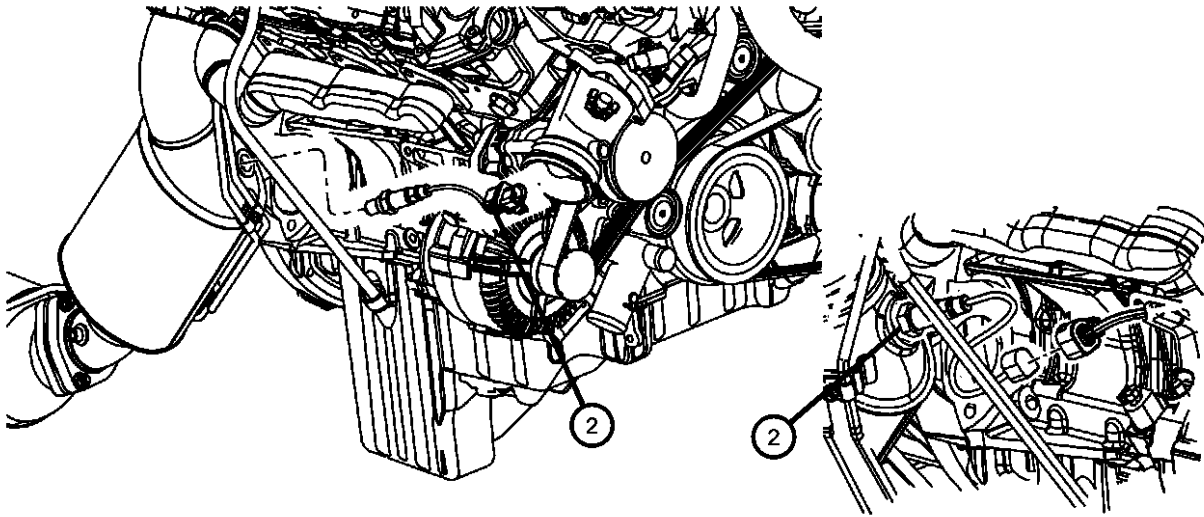
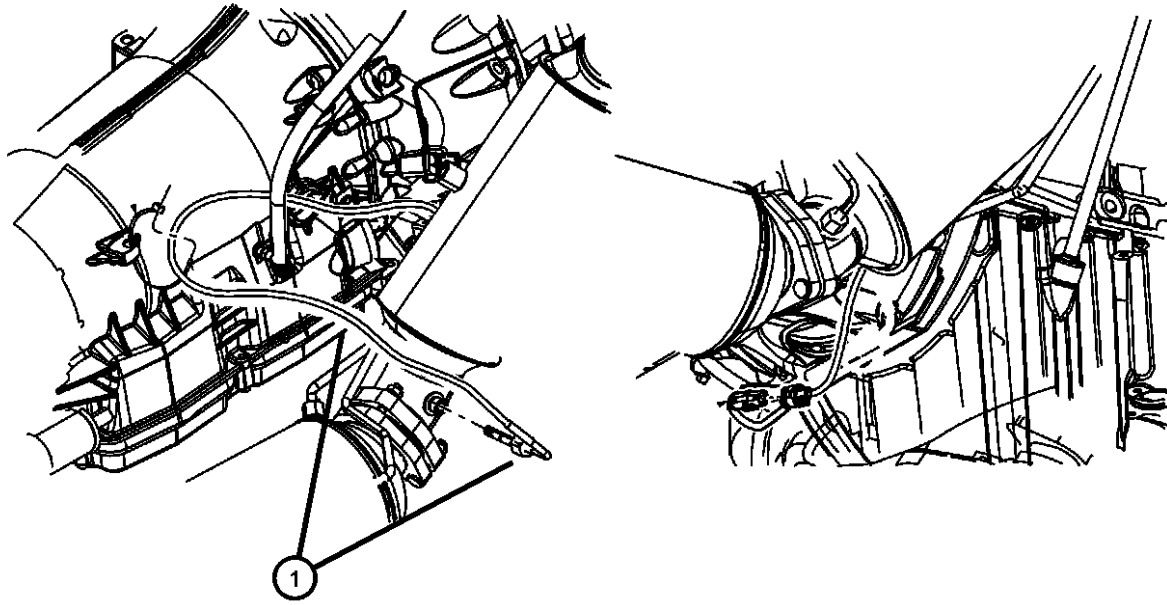
TRANSMISSION
DGQ = 5-Spd Automatic 545RFE
Transmission
DGJ = 5-Speed Auto W5A580
Transmission

AR = use ase required - = Non illustrated part

2011 WK

Sensors Oxygen and Exhaust Temperature
Figure 8-618

ITEM	PART NUMBER	QTY	LINE	SERIES	BODY	ENGINE	TRANS	TRIM	DESCRIPTION
1	68078717AA	1	J, T, U		74	EXF			SENSOR, Oxygen
2	05146150AA	1	J, T, U		74	EXF			SENSOR, Exhaust Temperature, Downstream



GRAND CHEROKEE (WK)

SERIES LINE
H = HIGHLINE T = JEEP - 2WD
P = PREMIUM J = JEEP - 4WD
S = SPORT U = JEEP - 4WD (RHD)

BODY
74 = SPORT UTILITY 4-DR
TYPE #4

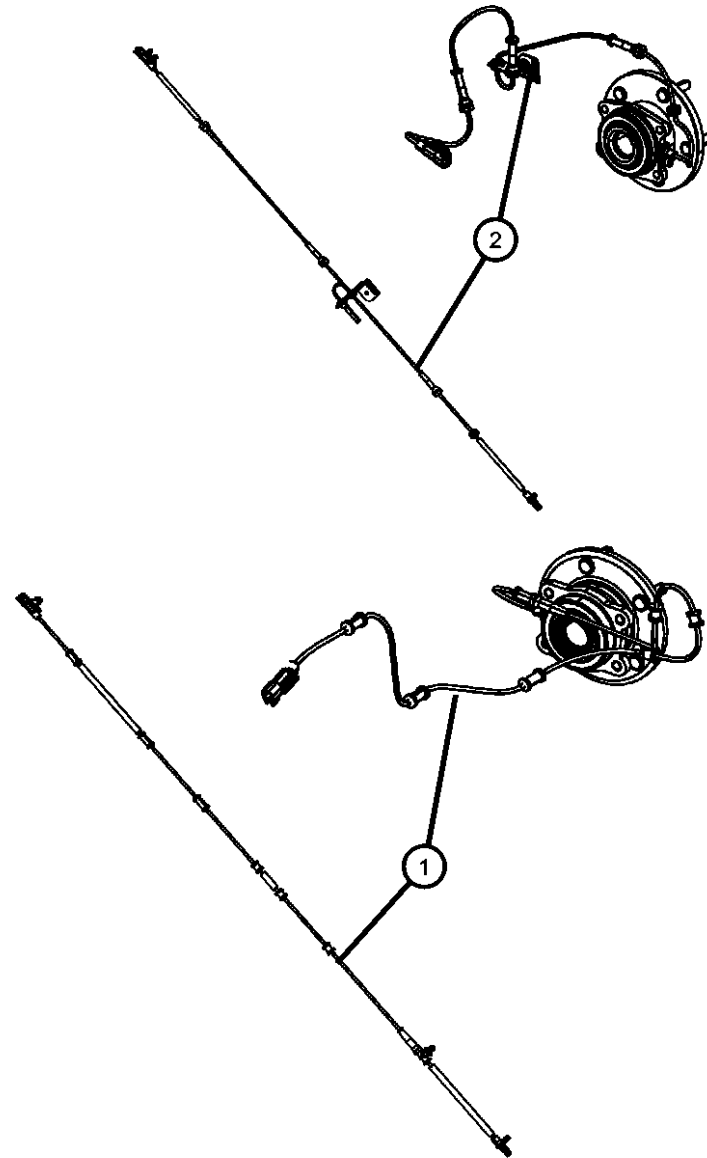
ENGINE
ERB = 3.0L V6 Engine
EZH = 5.7L V8 HEMI MDS
VVT Engine
EXF = 3.0L V6 Turbo Diesel
Engine

TRANSMISSION
DGQ = 5-Spd Automatic 545RFE
Transmission
DGJ = 5-Speed Auto W5A580
Transmission

AR = use ase required - = Non illustrated part

Sensors Brakes
Figure 8-625

ITEM	PART NUMBER	QTY	LINE	SERIES	BODY	ENGINE	TRANS	TRIM	DESCRIPTION
1	56029447AD	1	J, T, U		74				SENSOR, Anti-Lock Brakes
2	05154230AA	1	J, T, U		74				SENSOR, Wheel Speed



GRAND CHEROKEE (WK)

SERIES LINE
H = HIGHLINE T = JEEP - 2WD
P = PREMIUM J = JEEP - 4WD
S = SPORT U = JEEP - 4WD (RHD)

BODY
74 = SPORT UTILITY 4-DR
TYPE #4

ENGINE
ERB = 3.0L Mid V6 Engine
EZH = 5.7L V8 HEMI MDS
VVT Engine
EXF = 3.0L V6 Turbo Diesel
Engine

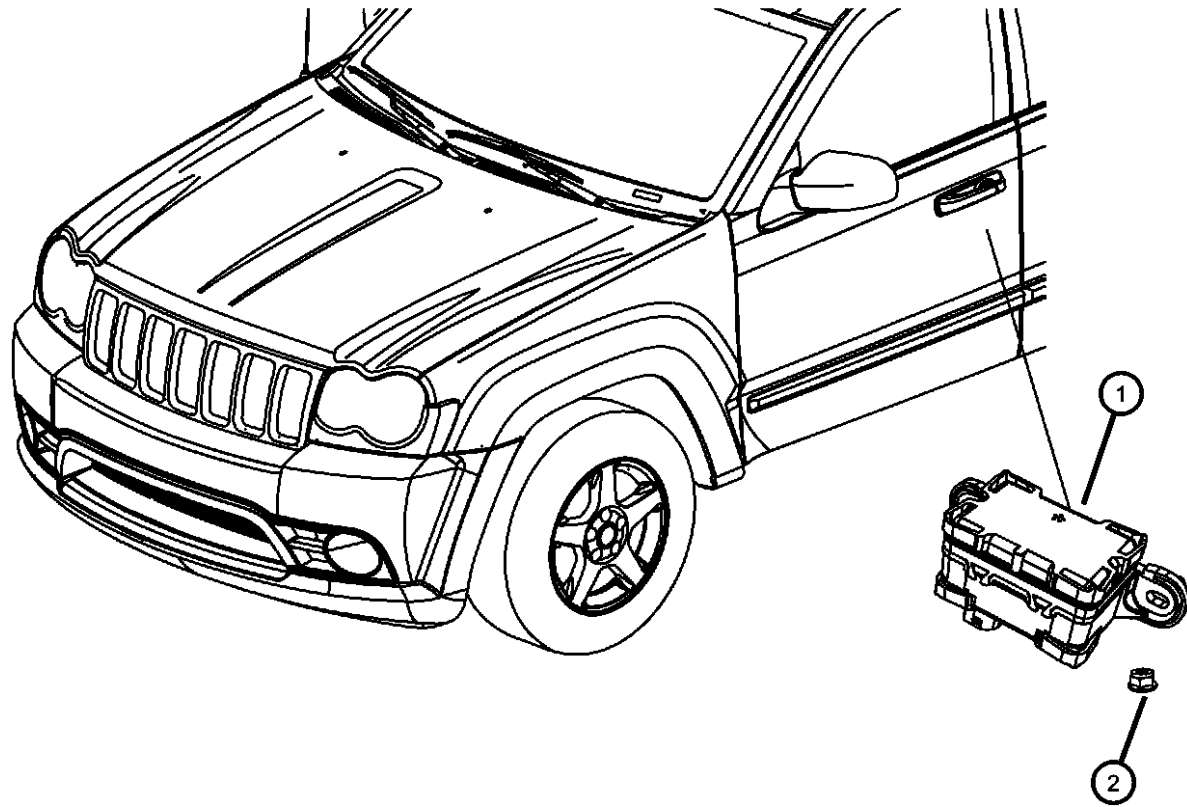
TRANSMISSION
DGQ = 5-Spd Automatic 545RFE
Transmission
DGJ = 5-Speed Auto W5A580
Transmission

AR = use ase required - = Non illustrated part

2011 WK

Sensors Suspension and Steering
Figure 8-630

ITEM	PART NUMBER	QTY	LINE	SERIES	BODY	ENGINE	TRANS	TRIM	DESCRIPTION
1	56029469AA	1	J, T, U		74				SENSOR, Dynamics, Lateral Acceleration and YAW Rate
2	05097674AA	2	J, T, U		74				NUT, Hex, M6



GRAND CHEROKEE (WK)

SERIES LINE
H = HIGHLINE T = JEEP - 2WD
P = PREMIUM J = JEEP - 4WD
S = SPORT U = JEEP - 4WD (RHD)

BODY
74 = SPORT UTILITY 4-DR
TYPE #4

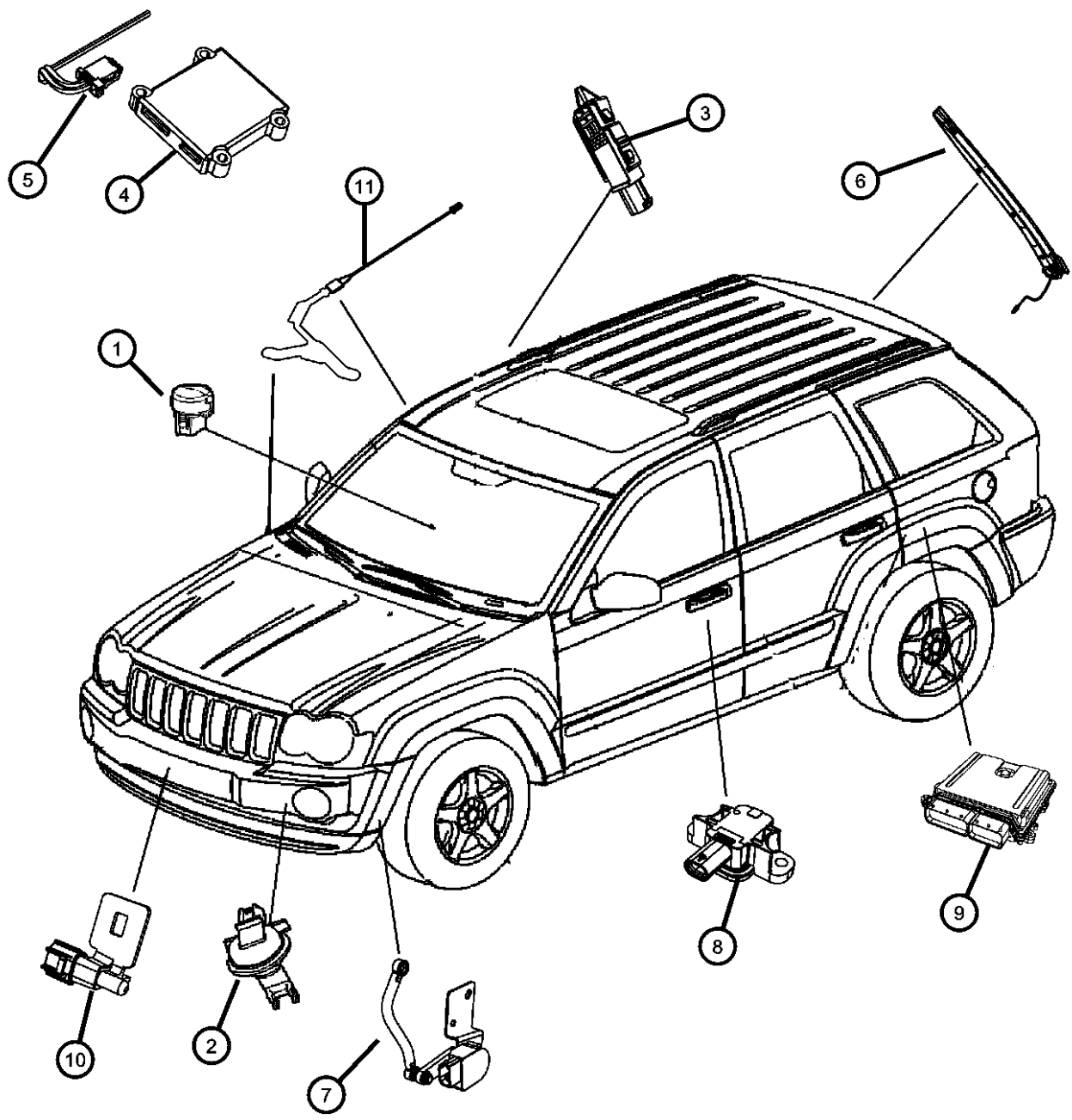
ENGINE
ERB = 3.0L Mid V6 Engine
EZH = 5.7L V8 HEMI MDS
VVT Engine
EXF = 3.0L V6 Turbo Diesel
Engine

TRANSMISSION
DGQ = 5-Spd Automatic 545RFE
Transmission
DGJ = 5-Speed Auto W5A580
Transmission

AR = use ase required - = Non illustrated part

2011 WK

Sensors Body
Figure 8-635



ITEM	PART NUMBER	QTY	LINE	SERIES	BODY	ENGINE	TRANS	TRIM	DESCRIPTION
1	55111274AA	1	J, T		74				SENSOR, Sun
2	05152029AB	1	J, T, U		74				SENSOR, Washer Fluid Level
3	05084008AA	1	J, T, U		74				SENSOR, Seat Position
	56054036AA	1	J, T		74				[X8Z]
4		1							SENSOR, Intrusion Module, serviced in overhead console, (NOT SERVICED)
5	56046539AA	1	J, T, U	H, P	74				WIRING, Jumper, Intrusion Sensor
		1	J, T, U	P, S	74				
6	55113630AA	1	J, T, U		74				SENSOR, Pinch Right
	55113631AA	1	J, T, U		74				Left
7	56038913AA	1	J, T, U		74				SENSOR, Height
8	56054084AA	2	J, T, U		74				SENSOR, Pressure
9	56029517AA	1	J, T, U		74				SENSOR, Ride Height Right
	56029518AA	1	J, T, U		74				Left Front
10	56042395	1	J, T, U		74				SENSOR, Ambient Temperature
11	56054211AB	1	J, T, U		74				SENSOR, Occupant Detection

GRAND CHEROKEE (WK)

SERIES LINE
H = HIGHLINE T = JEEP - 2WD
P = PREMIUM J = JEEP - 4WD
S = SPORT U = JEEP - 4WD (RHD)

BODY
74 = SPORT UTILITY 4-DR
TYPE #4

ENGINE
ERB = 3.0L Mid V6 Engine
EZH = 5.7L V8 HEMI MDS
VVT Engine
EXF = 3.0L V6 Turbo Diesel
Engine

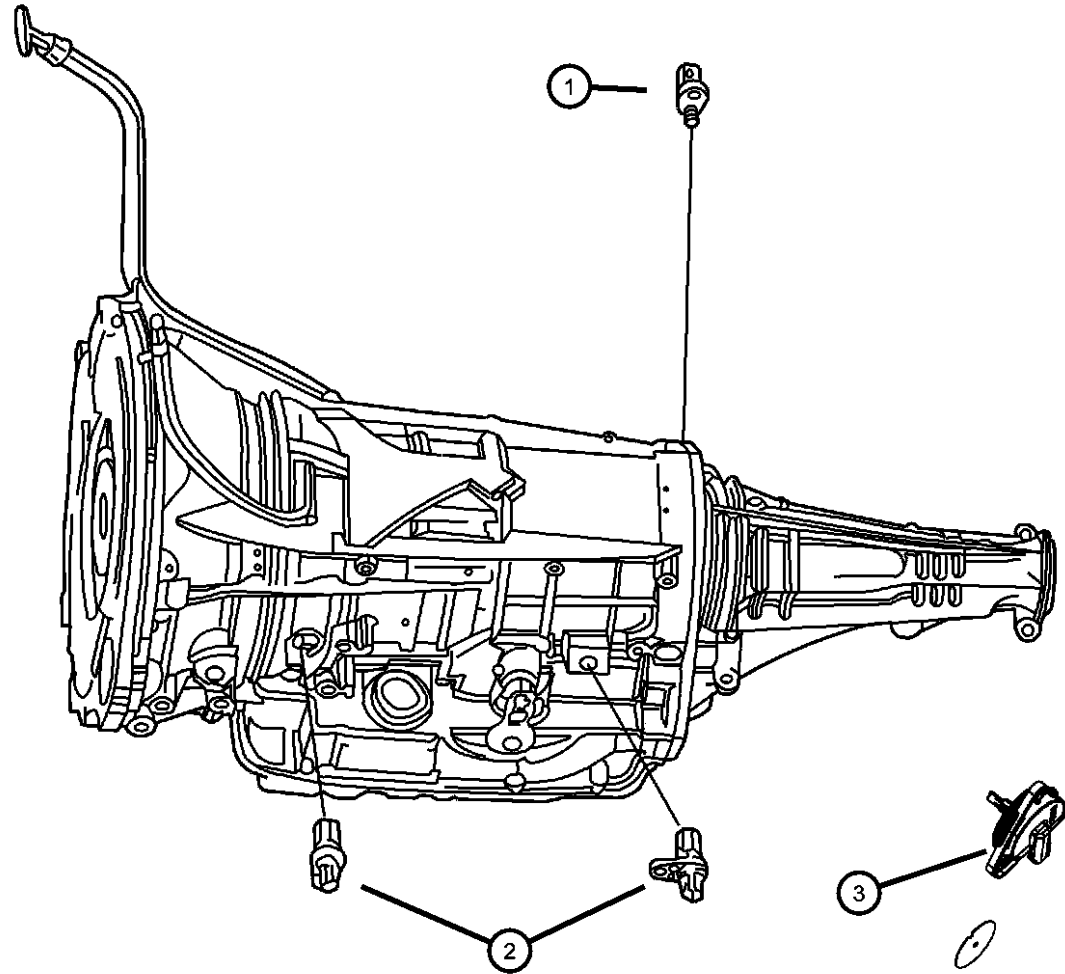
TRANSMISSION
DGQ = 5-Spd Automatic 545RFE
Transmission
DGJ = 5-Speed Auto W5A580
Transmission

AR = use ase required - = Non illustrated part

2011 WK

Sensors Drivetrain
Figure 8-640

ITEM	PART NUMBER	QTY	LINE	SERIES	BODY	ENGINE	TRANS	TRIM	DESCRIPTION
1	04799758AD	1	J, U		74	EZH	DGQ		TRANSDUCER, Pressure Sensor
2	04799061AB	2	J, U		74	EZH	DGQ		SENSOR, Transmission Input Speed
3	68071234AA	1	J, U		74	ERB, EXF			SENSOR, Transfer Case Position
		1	J, U		74	EZH			



GRAND CHEROKEE (WK)

SERIES LINE
H = HIGHLINE T = JEEP - 2WD
P = PREMIUM J = JEEP - 4WD
S = SPORT U = JEEP - 4WD (RHD)

BODY
74 = SPORT UTILITY 4-DR
TYPE #4

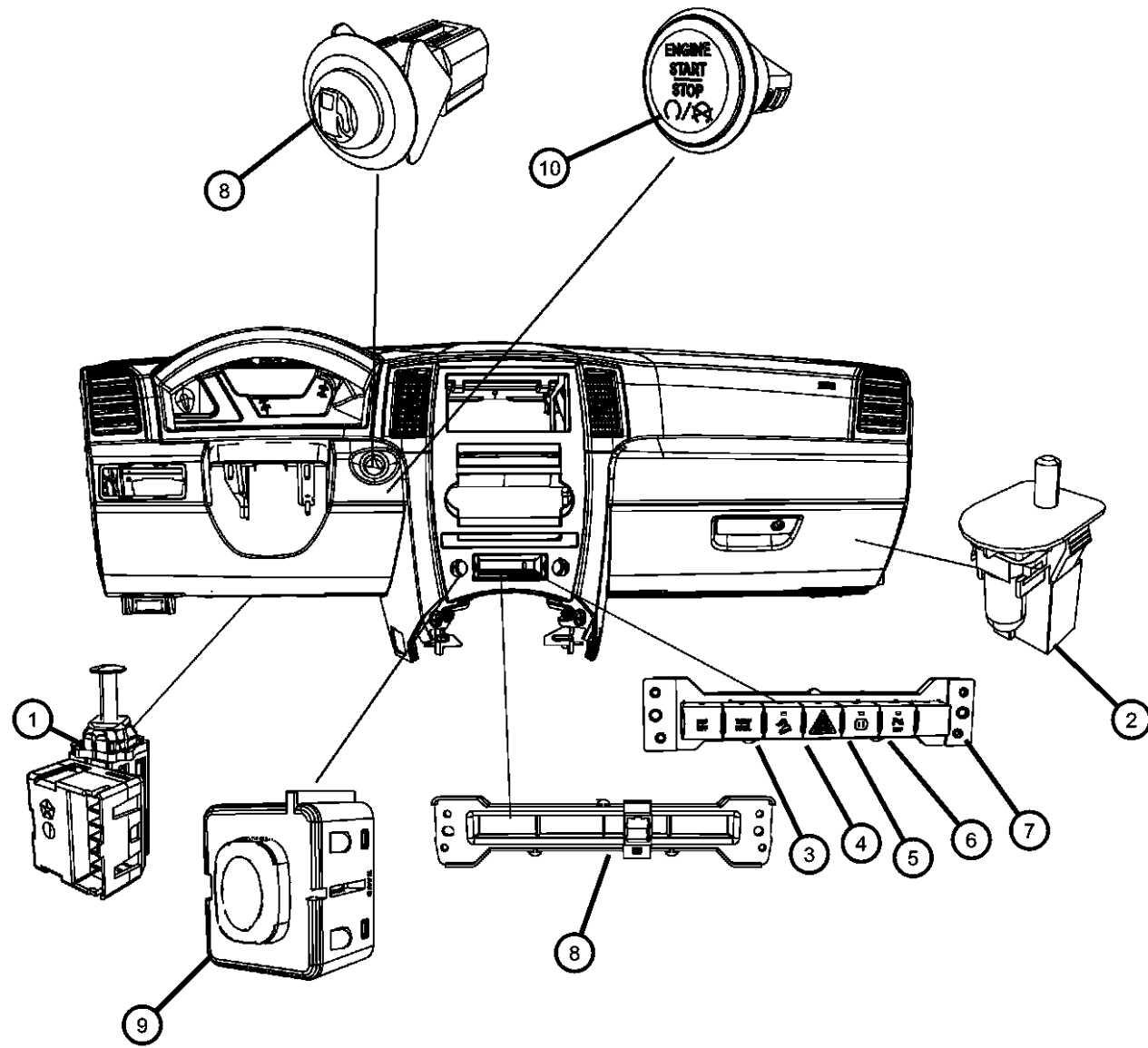
ENGINE
ERB = 3.0L V6 Engine
EZH = 5.7L V8 HEMI MDS
VVT Engine
EXF = 3.0L V6 Turbo Diesel
Engine

TRANSMISSION
DGQ = 5-Spd Automatic 545RFE
Transmission
DGJ = 5-Speed Auto W5A580
Transmission

AR = use ase required - = Non illustrated part

2011 WK

Switches Instrument Panel
Figure 8-805



ITEM	PART NUMBER	QTY	LINE	SERIES	BODY	ENGINE	TRANS	TRIM	DESCRIPTION
1	56029454AA	1	J, T, U		74				SWITCH, Stop Lamp
2	04565022	1	J, T, U		74				SWITCH AND LAMP, Glove Box
3									SWITCH, 6 Gang
	56046294AA	1	J, T, U		74		DGQ		Up to 8/2/10
	56046294AB	1	J, T, U		74		DGQ		After 8/2/10
4									SWITCH, 5 Gang
	56046151AB	1	J, T, U		74		DGQ		[XAA], [XAG], [BNB], [JKV] Up to 8/2/10
	56046151AC	1	J, T, U		74		DGQ		[XAA], [XAG], [BNB], [JKV] After 8/2/10
	56046291AA	1	J, T, U		74		DGQ		[BNB], [JKV], [NHS] Up to 8/2/10
	56046291AB	1	J, T, U		74		DGQ		[BNB], [JKV], [NHS] After 8/2/10
	56046292AA	1	J, T, U		74		DGQ		[XAA], [XAG], [BNB], [NHS] Up to 8/2/10
	56046292AB	1	J, T, U		74		DGQ		[XAA], [XAG], [BNB], [NHS] After 8/2/10
	56046293AA	1	J, T, U		74		DGJ, DGU		[XAA], [XAG], [BNB], [JKV], [NHS] Up to 8/2/10
	56046293AB	1	J, T, U		74		DGJ		[XAA], [XAG], [BNB], [JKV], [NHS] After 8/2/10
5									SWITCH, 4 Gang
	56046145AC	1	J, T, U		74		DGQ		[BNB], [JKV]
	56046146AB	1	J, T, U		74		DGQ		[XAA], [XAG], [BNB] Up to 8/2/10
	56046146AC	1	J, T, U		74		DGQ		[XAA], [XAG], [BNB] After 8/2/10
	56046148AB	1	J, T, U		74		DGJ, DGU		[XAA], [XAG], [BNB], [JKV] Up to 8/2/10
	56046148AC	1	J, T, U		74		DGJ		[XAA], [XAG], [BNB] After 8/2/10
	56046289AA	1	J, T, U		74		DGJ, DGU		[BNB], [JKV], [NHS] Up to 8/2/10
	56046289AB	1	J, T, U		74		DGJ		[BNB], [JKV], [NHS] After 8/2/10
	56046290AA	1	J, T, U		74		DGU, DGJ		[XAA], [XAG], [BNB], [NHS] Up to 8/2/10
	56046290AB	1	J, T, U		74		DGJ		[XAA], [XAG], [BNB], [NHS] After 8/2/10
	56046296AA	1	J, T, U		74		DGQ		[BNB], [NHS] Up to 8/2/10
	56046296AB	1	J, T, U		74		DGQ		[BNB], [NHS] After 8/2/10
6									SWITCH, 3 Gang
	56046141AB	1	J, T, U		74		DGQ		[BNB] Up to 8/2/10
	56046141AC	1	J, T, U		74		DGQ		[BNB] After 8/2/10
	56046142AC	1	J, T, U		74		DGJ		[BNB], [JKV]
	56046143AC	1	J, T, U		74		DGJ		[XAA], [XAG], [BNB]

GRAND CHEROKEE (WK)

SERIES LINE
H = HIGHLINE T = JEEP - 2WD
P = PREMIUM J = JEEP - 4WD
S = SPORT U = JEEP - 4WD (RHD)

BODY
74 = SPORT UTILITY 4-DR
TYPE #4

ENGINE
ERB = 3.0L Mid V6 Engine
EZH = 5.7L V8 HEMI MDS
VVT Engine
EXF = 3.0L V6 Turbo Diesel
Engine

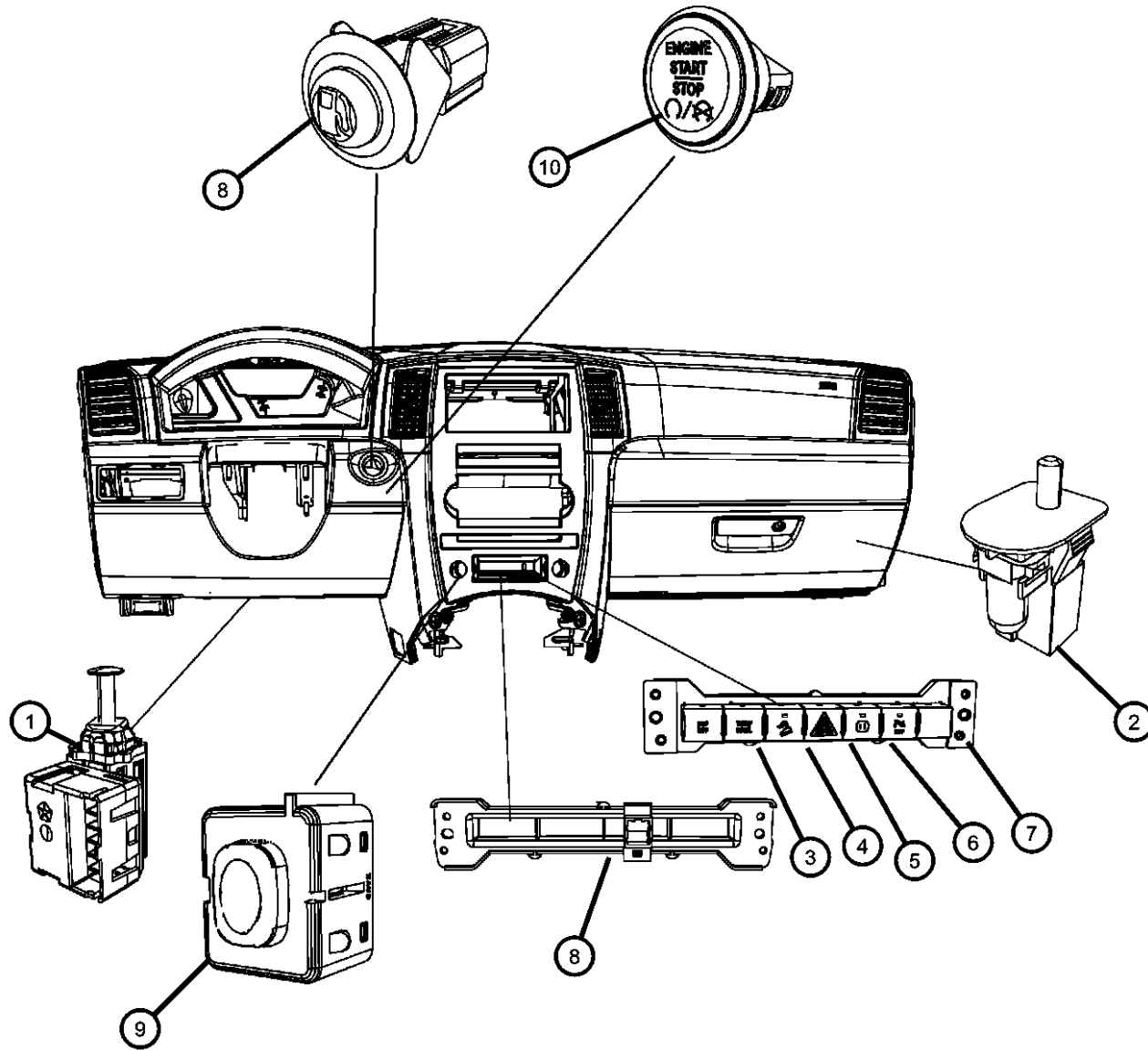
TRANSMISSION
DGQ = 5-Speed Automatic 545RFE
Transmission
DGJ = 5-Speed Auto W5A580
Transmission

AR = use ase required - = Non illustrated part

2011 WK

Switches Instrument Panel
Figure 8-805

ITEM	PART NUMBER	QTY	LINE	SERIES	BODY	ENGINE	TRANS	TRIM	DESCRIPTION
	56046295AA	1	J, T, U		74		DGJ, DGU		[BNB], [NHS] Up to 8/2/10
	56046295AB	1	J, T, U		74		DGJ		[BNB], [NHS] After 8/2/10
7									SWITCH, 2 Gang
	56046140AB	1	J, T, U		74		DGJ, DGU		[BNB] Up to 8/2/10
	56046140AC	1	J, T, U		74		DGJ		[BNB] After 8/2/10
8	56046235AA	1	J, T, U		74				SWITCH, Fuel Door
9	04602751AA	1	J, T, U		74				SWITCH, Liftgate
10	1FU931X9AC	1	J, T, U		74				SWITCH, Ignition



GRAND CHEROKEE (WK)

SERIES LINE
H = HIGHLINE T = JEEP - 2WD
P = PREMIUM J = JEEP - 4WD
S = SPORT U = JEEP - 4WD (RHD)

BODY
74 = SPORT UTILITY 4-DR
TYPE #4

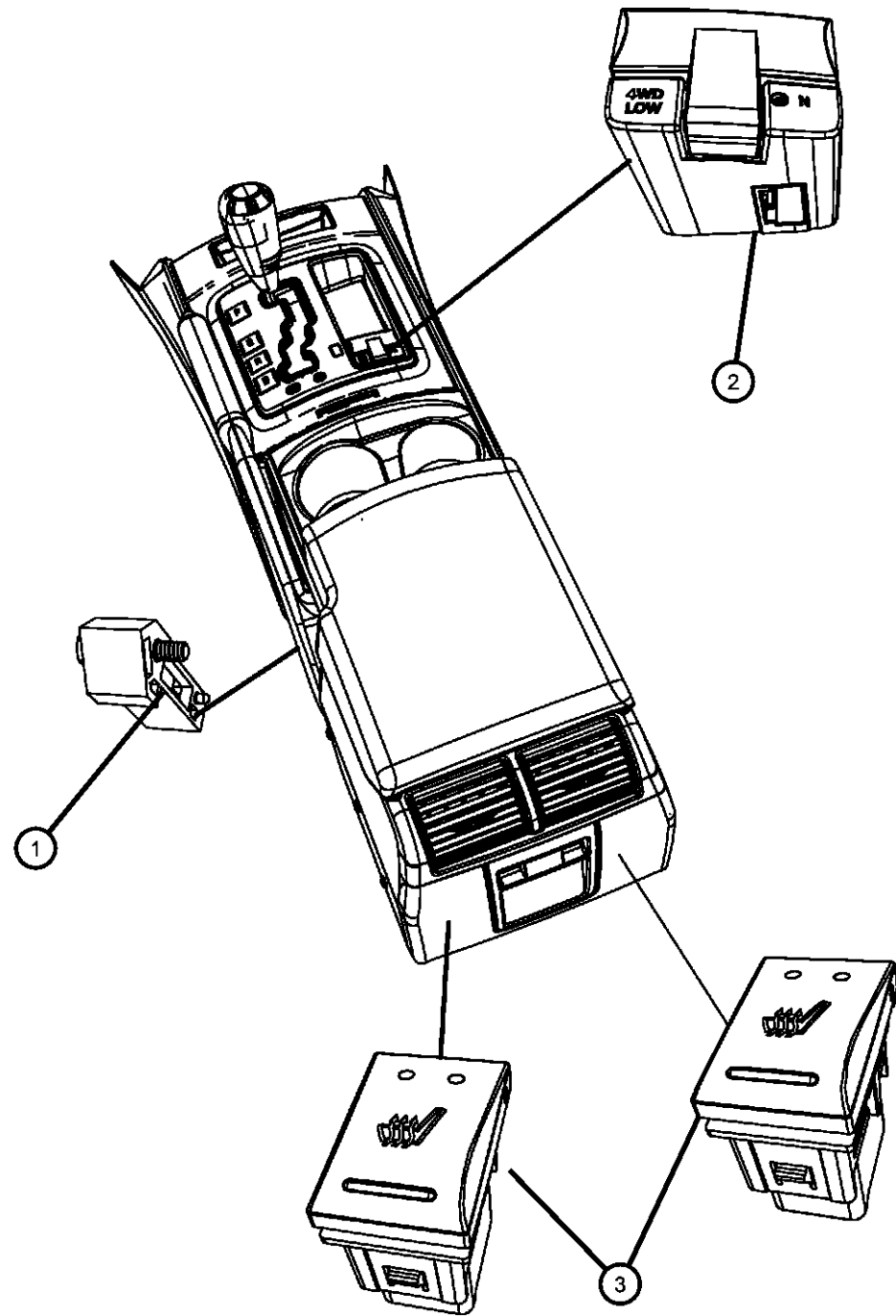
ENGINE
ERB = 3.0L Mid V6 Engine
EZH = 5.7L V8 HEMI MDS
VVT Engine
EXF = 3.0L V6 Turbo Diesel
Engine

TRANSMISSION
DGQ = 5-Spd Automatic 545RFE
Transmission
DGJ = 5-Speed Auto W5A580
Transmission

AR = use ase required - = Non illustrated part

2011 WK

**Switches Console
Figure 8-810**



ITEM	PART NUMBER	QTY	LINE	SERIES	BODY	ENGINE	TRANS	TRIM	DESCRIPTION
1	04221463	1	U		74				SWITCH, Parking Brake
		1	J, T		74				
2	56046233AC	1	J, T, U		74				SWITCH, Transfer Case [SER]
		1	J, T, U		74				
3	04602970AB	1	J, T, U		74				SWITCH, Heated Seat Left
		1	J, T, U		74				

GRAND CHEROKEE (WK)

SERIES LINE
H = HIGHLINE T = JEEP - 2WD
P = PREMIUM J = JEEP - 4WD
S = SPORT U = JEEP - 4WD (RHD)

BODY
74 = SPORT UTILITY 4-DR
TYPE #4

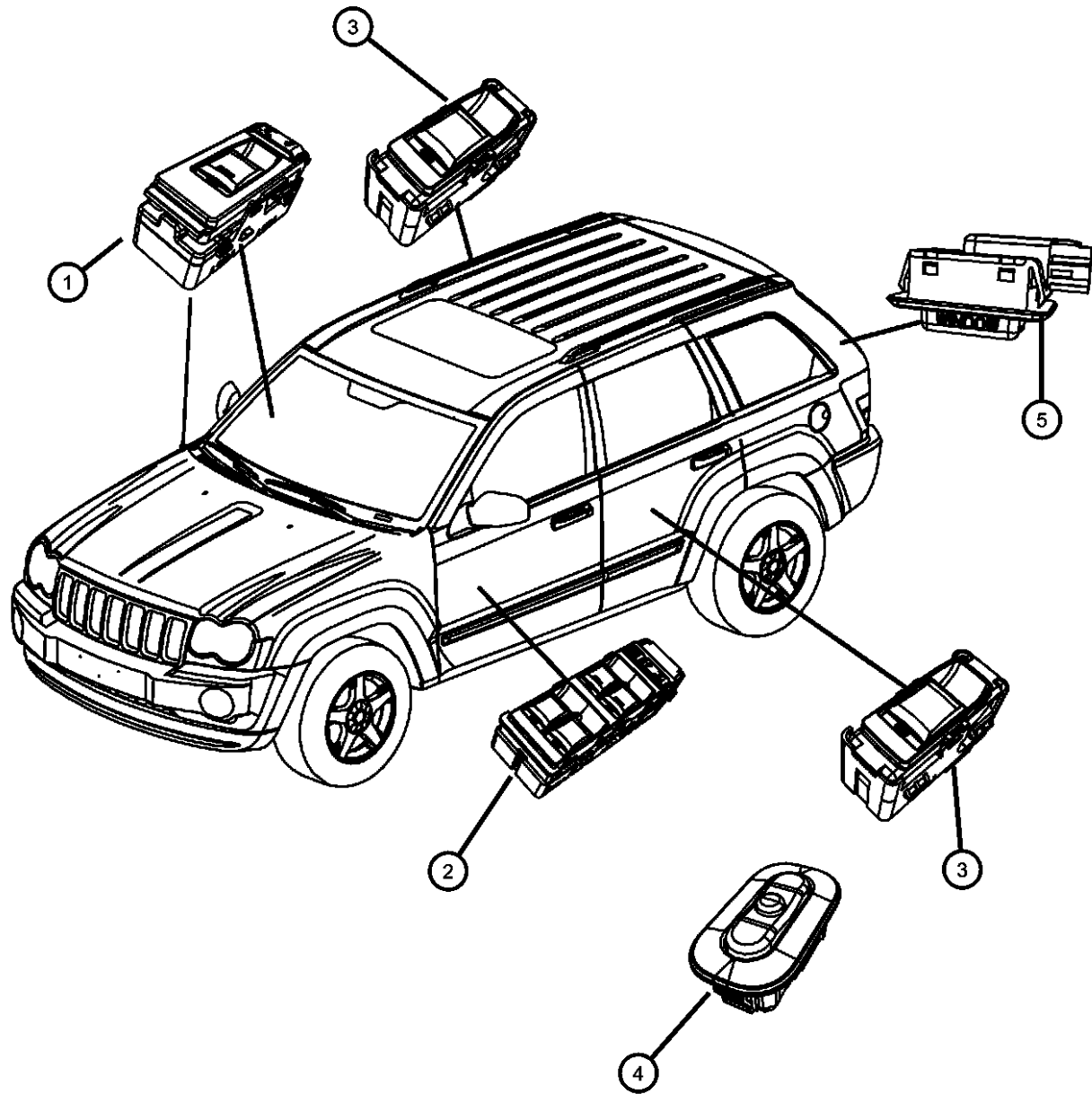
ENGINE
ERB = 3.0L V6 Engine
EZH = 5.7L V8 HEMI MDS
VVT Engine
EXF = 3.0L V6 Turbo Diesel
Engine

TRANSMISSION
DGQ = 5-Spd Automatic 545RFE
Transmission
DGJ = 5-Speed Auto W5A580
Transmission

AR = use ase required - = Non illustrated part

2011 WK

**Switches Doors and Liftgate
Figure 8-815**



ITEM	PART NUMBER	QTY	LINE	SERIES	BODY	ENGINE	TRANS	TRIM	DESCRIPTION
1	68030822AC	1	J, T		74				SWITCH, Window and Door Lock
	68030826AC	1	U		74				
2	68030826AC	1	U		74				SWITCH, Window and Door Lock [GU5] Or [GYC], [JP3]
	68030822AC	1	U		74				
	68030823AC	1	J, T		74				
3	68030832AB	1	J, T, U		74				SWITCH, Power Window
4	5JF97DX9AC	1	J, T		74				SWITCH, Memory Selector
		1	U		74				
5	68083081AA	1	J, T, U		74				SWITCH, Flipper Window

GRAND CHEROKEE (WK)

SERIES LINE
H = HIGHLINE T = JEEP - 2WD
P = PREMIUM J = JEEP - 4WD
S = SPORT U = JEEP - 4WD (RHD)

BODY
74 = SPORT UTILITY 4-DR
TYPE #4

ENGINE
ERB = 3.0L Mid V6 Engine
EZH = 5.7L V8 HEMI MDS
VVT Engine
EXF = 3.0L V6 Turbo Diesel
Engine

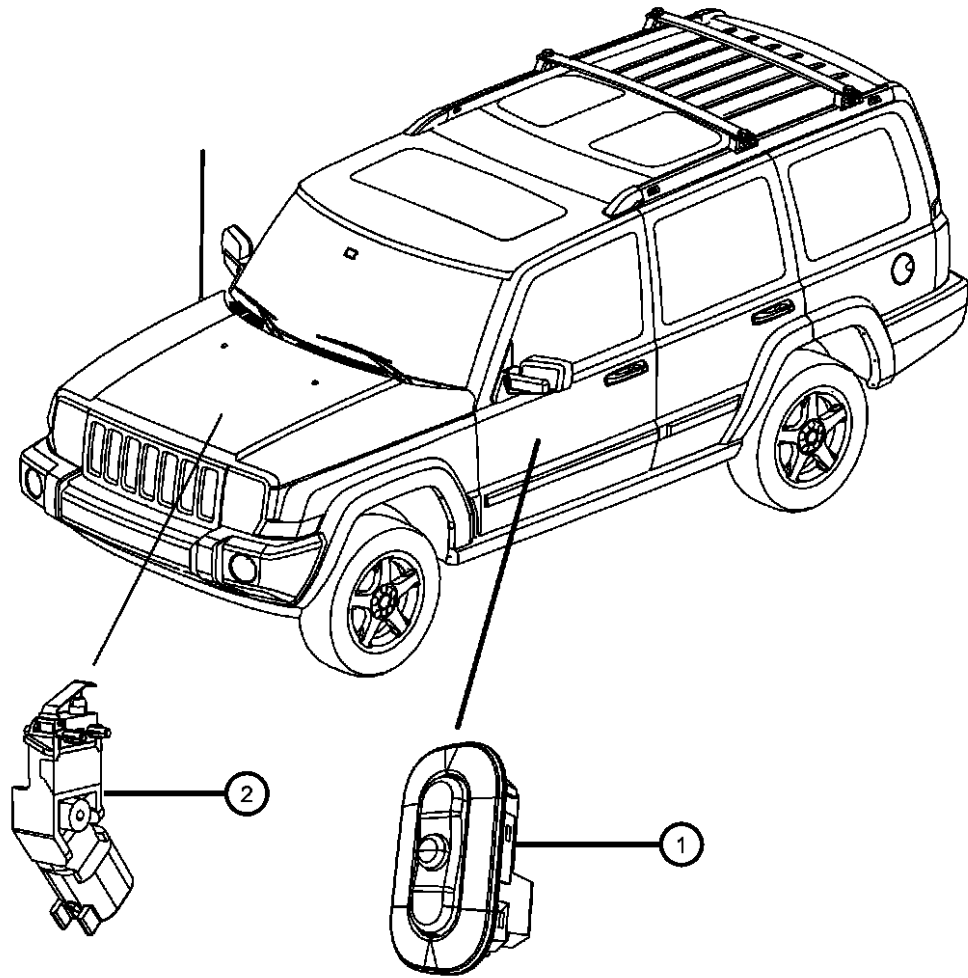
TRANSMISSION
DGQ = 5-Spd Automatic 545RFE
Transmission
DGJ = 5-Speed Auto W5A580
Transmission

AR = use ase required - = Non illustrated part

2011 WK

Switches Body
Figure 8-820

ITEM	PART NUMBER	QTY	LINE	SERIES	BODY	ENGINE	TRANS	TRIM	DESCRIPTION
1	5JF97DX9AC	1	J, T		74				SWITCH, Memory Selector
		1	U		74				
2	04589687AA	1	J, T, U		74				SWITCH, Underhood, Not serviced separately, must order hood latch see Specifier Bulletin



GRAND CHEROKEE (WK)

SERIES LINE
H = HIGHLINE T = JEEP - 2WD
P = PREMIUM J = JEEP - 4WD
S = SPORT U = JEEP - 4WD (RHD)

BODY
74 = SPORT UTILITY 4-DR
TYPE #4

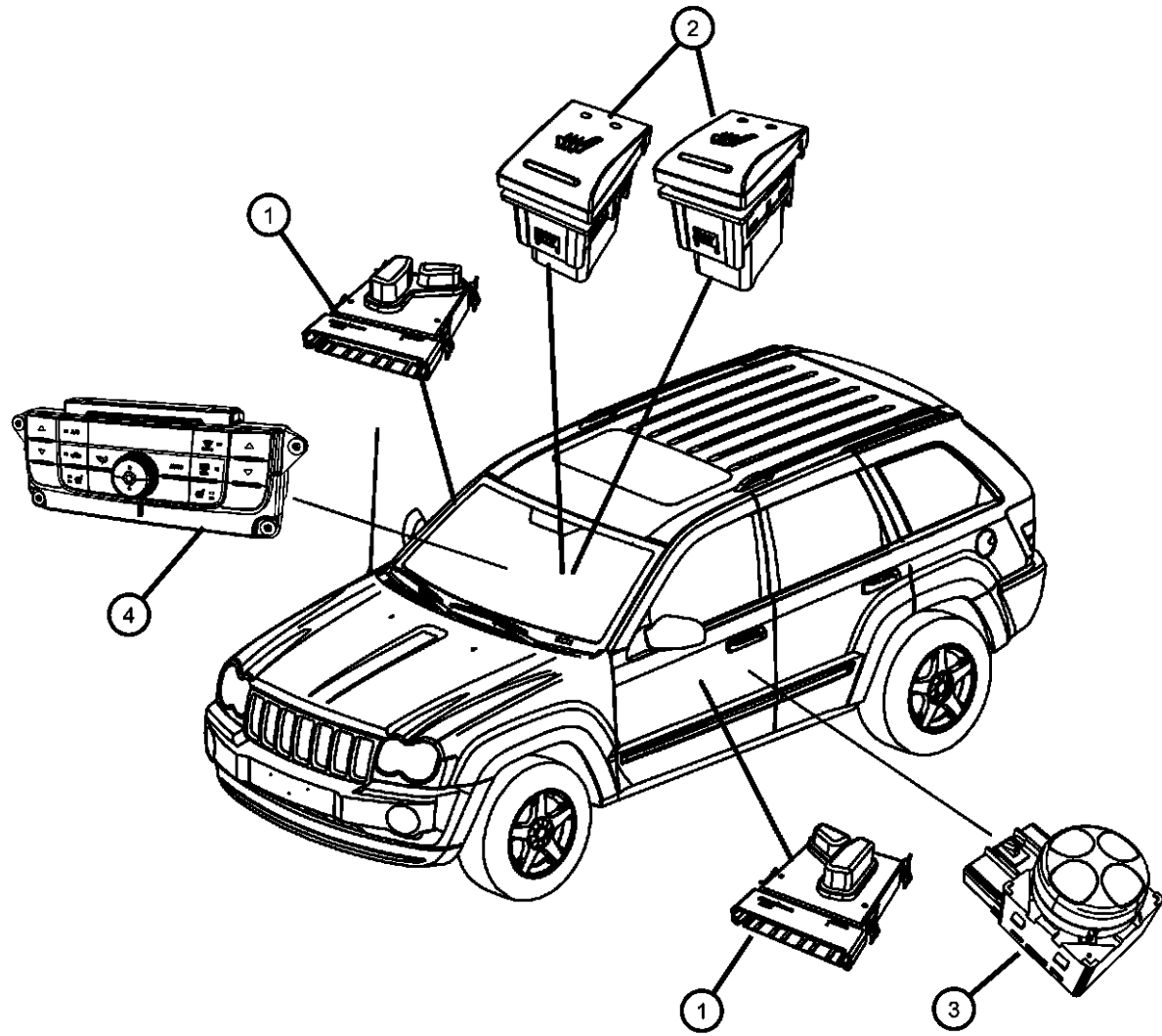
ENGINE
ERB = 3.0L Mid V6 Engine
EZH = 5.7L V8 HEMI MDS
VVT Engine
EXF = 3.0L V6 Turbo Diesel
Engine

TRANSMISSION
DGQ = 5-Spd Automatic 545RFE
Transmission
DGJ = 5-Speed Auto W5A580
Transmission

AR = use ase required - = Non illustrated part

2011 WK

**Switches Seats
Figure 8-825**



ITEM	PART NUMBER	QTY	LINE	SERIES	BODY	ENGINE	TRANS	TRIM	DESCRIPTION
1	56049433AE	1	J, T, U		74				SWITCH, Power Seat 8 way high current, Left
		1	U		74				8 way high current, Left
	56049431AE	1	J, T		74				8 way low current, Left
	56049432AE	1	J, T		74				8 way, Right
		1	J, T, U		74				8 way, Right
	56049428AE	1	J, T		74				6 way high current, Right
	56049430AE	1	U		74				8 way low current, Right
2	04602872AB	1	J, T, U		74				SWITCH, Heated Seat Left Console Rear Seat
		1	J, T, U		74				Right Console Rear Seat
3	56046232AA	1	J, T, U		74				SWITCH, Lumbar Control
4	55111922AG	1	J, T, U		74				CONTROL, A/C And Heater [JPM]
		1	J, T, U		74				[JPM], [CAJ]

GRAND CHEROKEE (WK)

SERIES LINE
H = HIGHLINE T = JEEP - 2WD
P = PREMIUM J = JEEP - 4WD
S = SPORT U = JEEP - 4WD (RHD)

BODY
74 = SPORT UTILITY 4-DR
TYPE #4

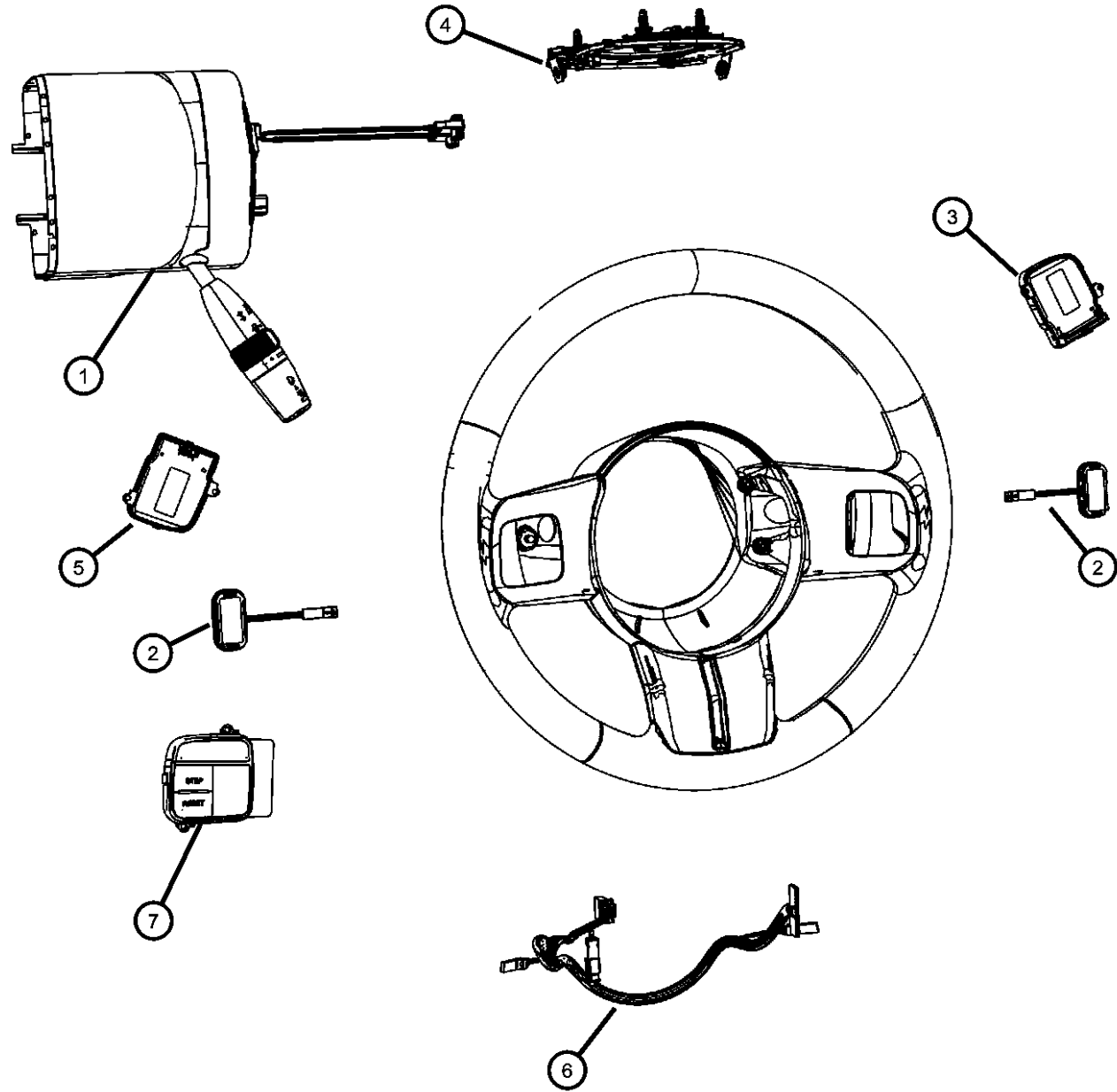
ENGINE
ERB = 3.0L Mid V6 Engine
EZH = 5.7L V8 HEMI MDS
VVT Engine
EXF = 3.0L V6 Turbo Diesel
Engine

TRANSMISSION
DGQ = 5-Spd Automatic 545RFE
Transmission
DGJ = 5-Speed Auto W5A580
Transmission

AR = use ase required - = Non illustrated part

2011 WK

Switches Steering Column and Wheel
Figure 8-830



ITEM	PART NUMBER	QTY	LINE	SERIES	BODY	ENGINE	TRANS	TRIM	DESCRIPTION
1	1HE78DX9AE	1	J, T, U		74				MODULE, Steering Column [X9] [SUD]
		1	J, T, U		74				[XL] [SUD]
	1HE78XTWAE	1	J, T, U		74				[D3] [SUD]
	1HE79DX9AD	1	J, T, U		74				[X9] [SUB]
		1	J, T, U		74				[XL] [SUB]
		1	J, T, U		74				[XT] [SUB]
	1HE80DX9AD	1	J, T, U		74				[X9] [SUB], [NHS]
	1HE79HL9AD	1	J, T, U		74				[L9] [SUB]
		1	J, T, U		74				[XL] [SUB], [NHS]
		1	J, T, U		74				[XT] [SUB], [NHS]
2	56046098AB	1	J, T, U		74				SWITCH, Radio Control Right
	56046099AB	1	J, T, U		74				Left
3	56046095AC	1	J, T, U		74				SWITCH, Speed Control [NHP]
	56046094AC	1	J, T, U		74				[NHM]
4	05057811AD	1	J, T, U		74				SWITCH, Horn
5	56046097AB	1	J, T, U		74				SWITCH, EVIC, STEERING WHEEL
	56046375AB	1	J, T, U		74				Without U Connect
6	68084546AB	1	J, T, U		74				WIRING, Steering Wheel [SCV], [NHP]
	68084541AA	1	J, T, U		74				[SCV], [NHM], [LAZ]
		1	J, T, U		74				[SCW], [NHM]
		1	J, T, U		74				[SCW], [NHP]
		1	J, T, U		74				[SCV], [NHM], [LAZ], [NHS], [RSP]
		1	J, T, U		74				
7	56046096AC	1	J, T, U		74				SWITCH, Odometer

GRAND CHEROKEE (WK)

SERIES LINE
H = HIGHLINE T = JEEP - 2WD
P = PREMIUM J = JEEP - 4WD
S = SPORT U = JEEP - 4WD (RHD)

BODY
74 = SPORT UTILITY 4-DR
TYPE #4

ENGINE
ERB = 3.0L Mid V6 Engine
EZH = 5.7L V8 HEMI MDS
VVT Engine
EXF = 3.0L V6 Turbo Diesel
Engine

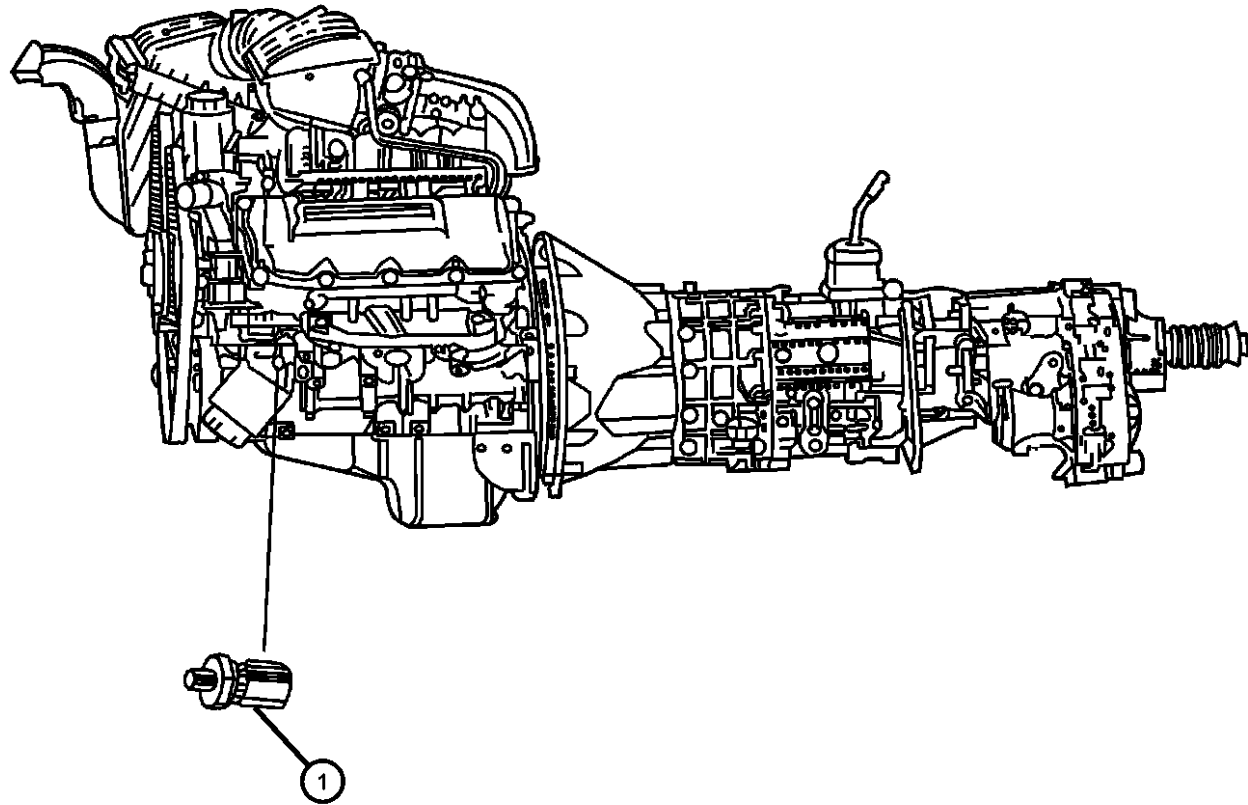
TRANSMISSION
DGQ = 5-Spd Automatic 545RFE
Transmission
DGJ = 5-Speed Auto W5A580
Transmission

AR = use ase required - = Non illustrated part

2011 WK

Switches Powertrain
Figure 8-835

ITEM	PART NUMBER	QTY	LINE	SERIES	BODY	ENGINE	TRANS	TRIM	DESCRIPTION
1									SENDING UNIT, Oil Pressure
	05149062AA	1	J, T, U		74	ERB			
		1	J, T, U		74	EZH			



GRAND CHEROKEE (WK)

SERIES LINE
H = HIGHLINE T = JEEP - 2WD
P = PREMIUM J = JEEP - 4WD
S = SPORT U = JEEP - 4WD (RHD)

BODY
74 = SPORT UTILITY 4-DR
TYPE #4

ENGINE
ERB = 3.XL Mid V6 Engine
EZH = 5.7L V8 HEMI MDS
VVT Engine
EXF = 3.0L V6 Turbo Diesel
Engine

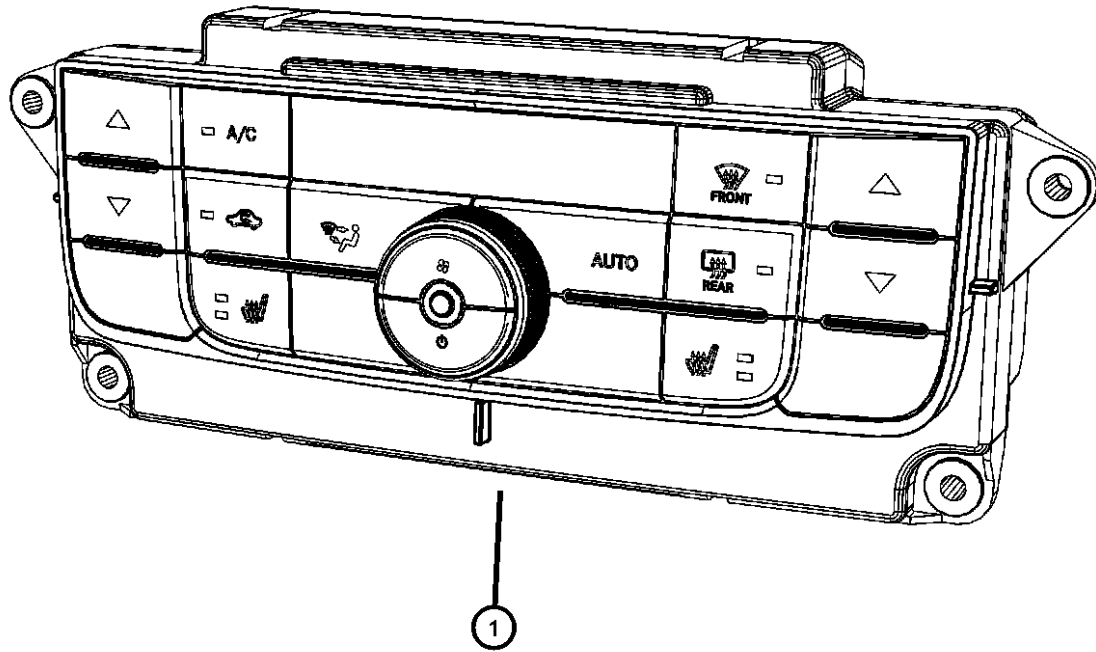
TRANSMISSION
DGQ = 5-Spd Automatic 545RFE
Transmission
DGJ = 5-Speed Auto W5A580
Transmission

AR = use ase required - = Non illustrated part

2011 WK

**Switches Heating and Air Conditioning
Figure 8-840**

ITEM	PART NUMBER	QTY	LINE	SERIES	BODY	ENGINE	TRANS	TRIM	DESCRIPTION
1									CONTROL, A/C And Heater
	55111833AE	1	J, T, U		74				[HAD]
	55111916AG	1	J, T, U		74				[HAF] US
	55111922AF	1	J, T, U		74				[HAF], [JPM]
	55111924AF	1	J, T, U		74				[HAF], [JPM], [CAJ]
	55111927AF	1	J, T, U		74				[HAF] Canada, Mexico and BUX



GRAND CHEROKEE (WK)

SERIES LINE
H = HIGHLINE T = JEEP - 2WD
P = PREMIUM J = JEEP - 4WD
S = SPORT U = JEEP - 4WD (RHD)

BODY
74 = SPORT UTILITY 4-DR
TYPE #4

ENGINE
ERB = 3.0L Mid V6 Engine
EZH = 5.7L V8 HEMI MDS
VVT Engine
EXF = 3.0L V6 Turbo Diesel
Engine

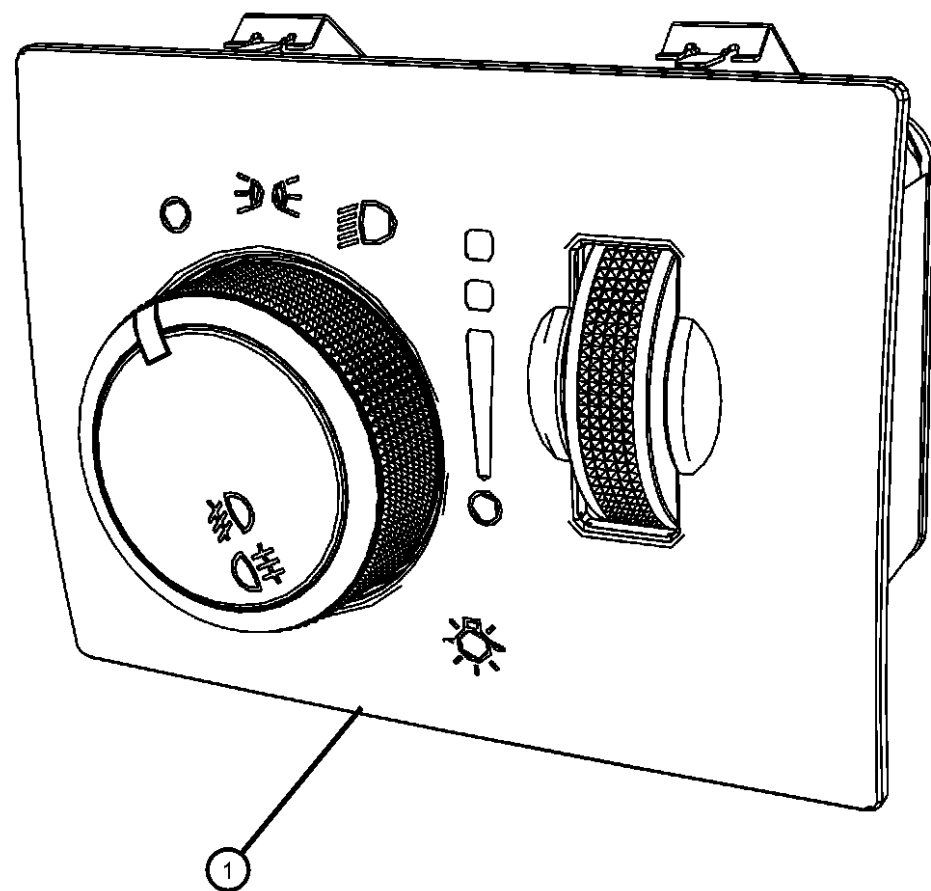
TRANSMISSION
DGQ = 5-Spd Automatic 545RFE
Transmission
DGJ = 5-Speed Auto W5A580
Transmission

AR = use ase required - = Non illustrated part

2011 WK

Switches Lighting
Figure 8-845

ITEM	PART NUMBER	QTY	LINE	SERIES	BODY	ENGINE	TRANS	TRIM	DESCRIPTION
1									SWITCH, Headlamp
	68029265AB	1	J, T, U		74				[LMG], [LNJ], -[LPG] Up to 1/18/10
	68029265AC	1	J, T, U		74				[LMG], [LNJ], -[LPG] After 1/18/10
	68029275AB	1	J, T, U		74				[LMG], [LNJ], [LPG]
	68029276AB	1	J, T, U		74				[LNJ]
	68029276AC	1	J, T, U		74				[LMG], [LNJ]



GRAND CHEROKEE (WK)

SERIES LINE
H = HIGHLINE T = JEEP - 2WD
P = PREMIUM J = JEEP - 4WD
S = SPORT U = JEEP - 4WD (RHD)

BODY
74 = SPORT UTILITY 4-DR
TYPE #4

ENGINE
ERB = 3.0L Mid V6 Engine
EZH = 5.7L V8 HEMI MDS
VVT Engine
EXF = 3.0L V6 Turbo Diesel
Engine

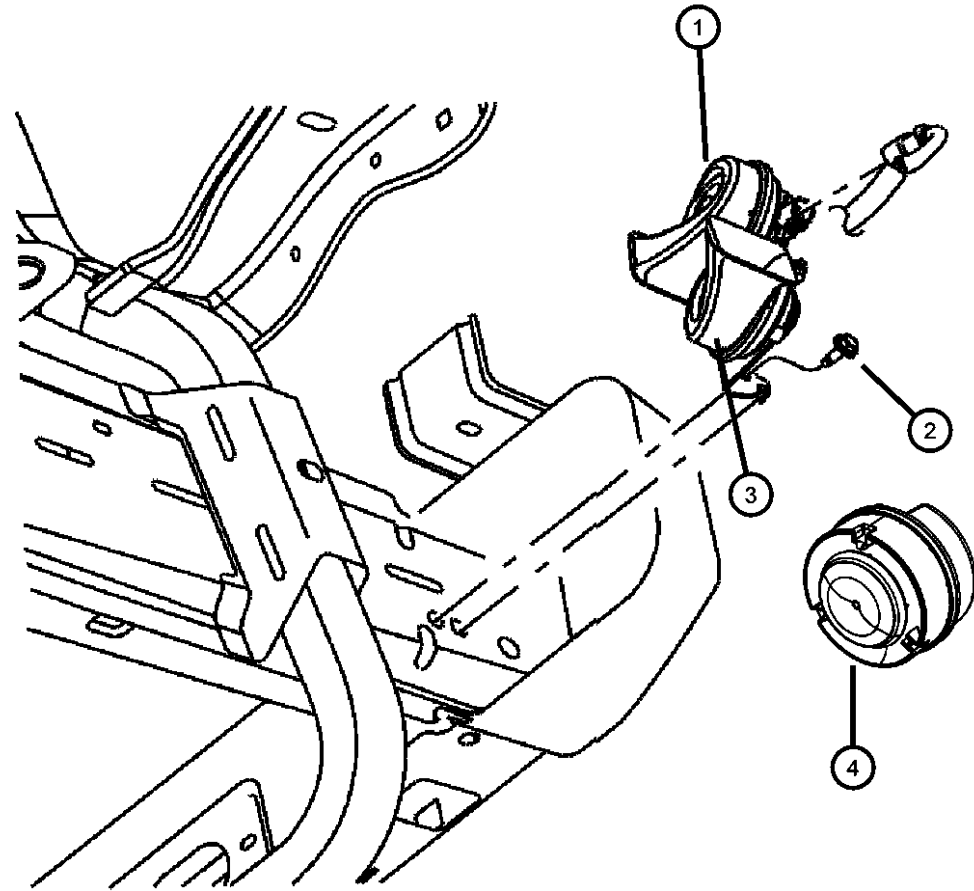
TRANSMISSION
DGQ = 5-Spd Automatic 545RFE
Transmission
DGJ = 5-Speed Auto W5A580
Transmission

AR = use ase required - = Non illustrated part

2011 WK

Horns
Figure 8-905

ITEM	PART NUMBER	QTY	LINE	SERIES	BODY	ENGINE	TRANS	TRIM	DESCRIPTION
1	05026981AC	1	J, T, U		74				HORN AND BRACKET, Low Note
2		1							SCREW AND WASHER, Hex Flange Head, M8x1.25x25, (NOT SERVICED)
3	05026982AC	1	J, T, U		74				HORN AND BRACKET, High Note
4	56038724AB	1	J, T, U		74				SIREN, AlarmExport



GRAND CHEROKEE (WK)

SERIES LINE
H = HIGHLINE T = JEEP - 2WD
P = PREMIUM J = JEEP - 4WD
S = SPORT U = JEEP - 4WD (RHD)

BODY
74 = SPORT UTILITY 4-DR
TYPE #4

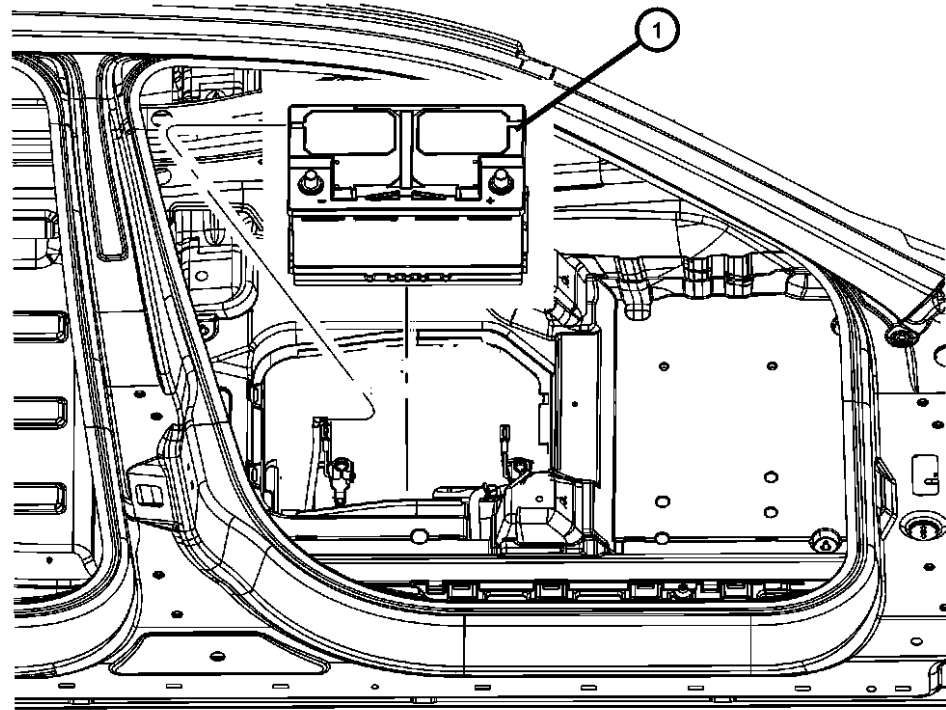
ENGINE
ERB = 3.XL Mid V6 Engine
EZH = 5.7L V8 HEMI MDS
VVT Engine
EXF = 3.0L V6 Turbo Diesel
Engine

TRANSMISSION
DGQ = 5-Spd Automatic 545RFE
Transmission
DGJ = 5-Speed Auto W5A580
Transmission

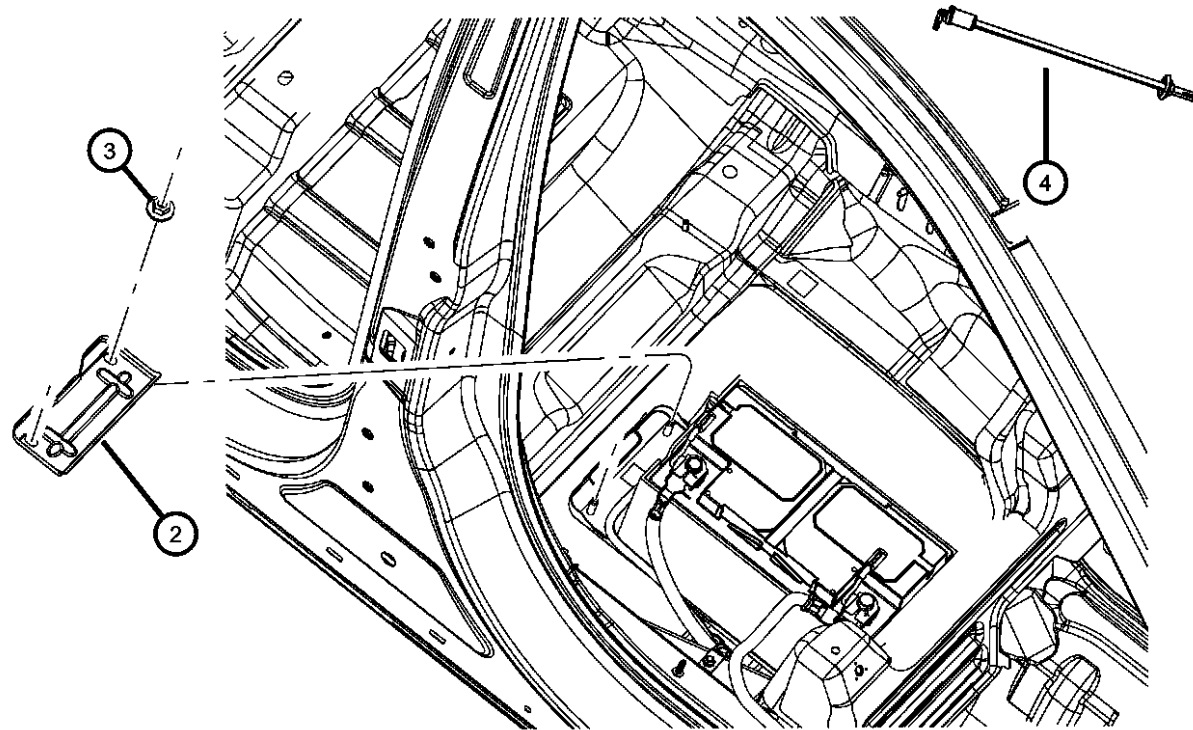
AR = use ase required - = Non illustrated part

2011 WK

Battery Tray and Support
Figure 8-1005



ITEM	PART NUMBER	QTY	LINE	SERIES	BODY	ENGINE	TRANS	TRIM	DESCRIPTION
1	BBAH7800AA	1	J, T, U		74				BATTERY, Storage US Market
	BE0H8800AA	1	J, T, U		74				Export
	BA094R730W	1	J, T, U		74				Canadian Market
2	68036354AA	1	J, T, U		74	ER0, EZ0			BRACKET, Battery Hold Down
	68039242AA	1	J, T, U		74	EX0			
3	06104716AA	2	J, T, U		74				NUT, Hex Flange Lock, M8X1.25
4	05033388AC	1	J, T, U		74				HOSE, Battery Vent



GRAND CHEROKEE (WK)

SERIES LINE
H = HIGHLINE T = JEEP - 2WD
P = PREMIUM J = JEEP - 4WD
S = SPORT U = JEEP - 4WD (RHD)

BODY
74 = SPORT UTILITY 4-DR
TYPE #4

ENGINE
ERB = 3.0L V6 Engine
EZH = 5.7L V8 HEMI MDS
VVT Engine
EXF = 3.0L V6 Turbo Diesel
Engine

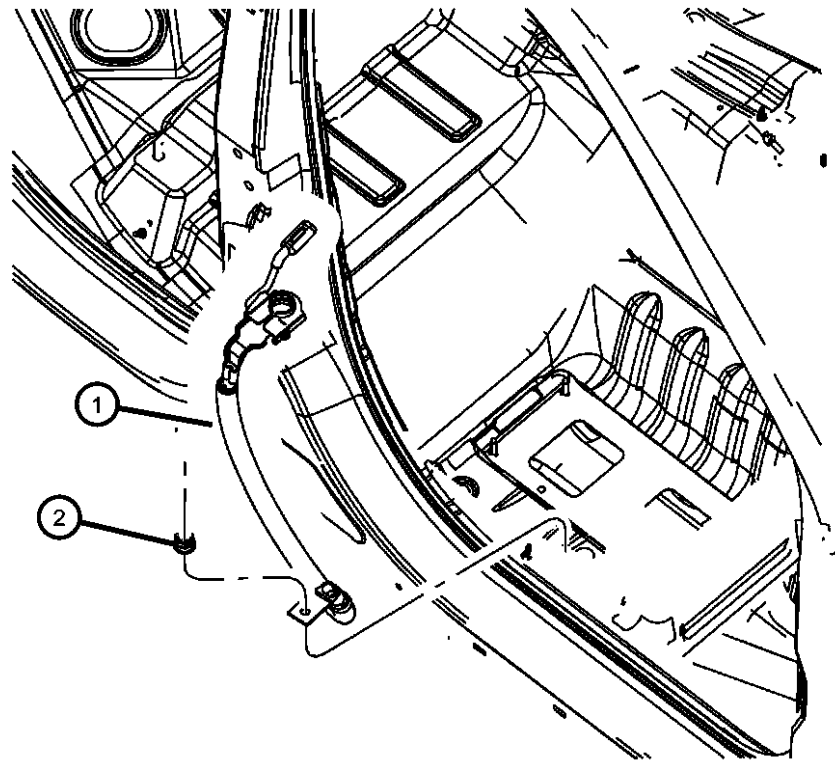
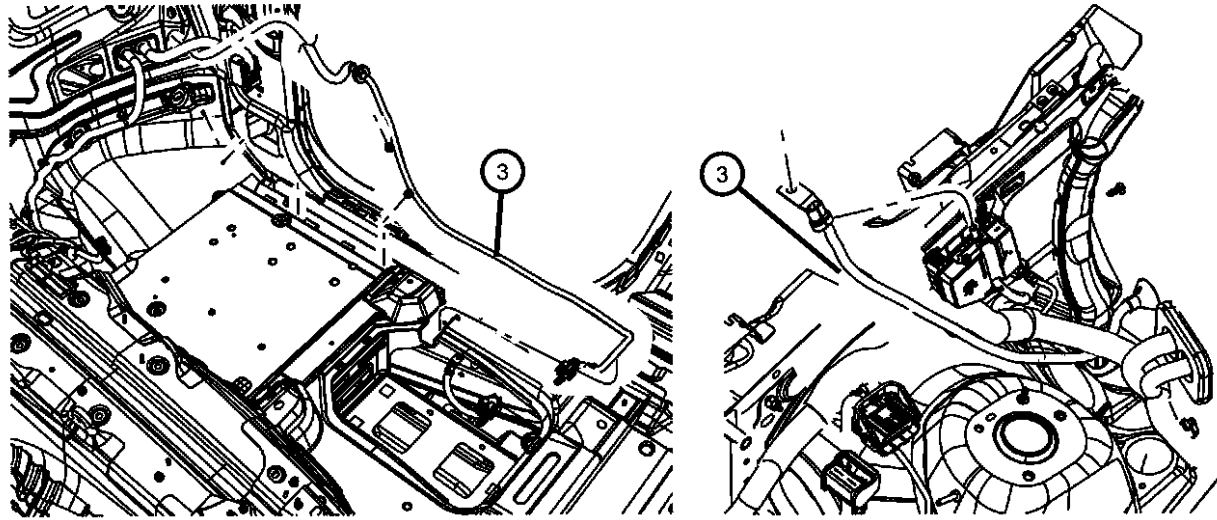
TRANSMISSION
DGQ = 5-Spd Automatic 545RFE
Transmission
DGJ = 5-Speed Auto W5A580
Transmission

AR = use ase required - = Non illustrated part

2011 WK

**Battery Wiring
Figure 8-1010**

ITEM	PART NUMBER	QTY	LINE	SERIES	BODY	ENGINE	TRANS	TRIM	DESCRIPTION
1	68039955AH	1	J, T, U		74				WIRING, Battery Negative
2	06506929AA	1	J, T, U		74				NUT, Hex Flange Lock, M8x1.25
3	68039567AH	1	J, T, U		74				WIRING, Battery Positive



GRAND CHEROKEE (WK)

SERIES LINE
H = HIGHLINE T = JEEP - 2WD
P = PREMIUM J = JEEP - 4WD
S = SPORT U = JEEP - 4WD (RHD)

BODY
74 = SPORT UTILITY 4-DR
TYPE #4

ENGINE
ERB = 3.0L Mid V6 Engine
EZH = 5.7L V8 HEMI MDS
VVT Engine
EXF = 3.0L V6 Turbo Diesel
Engine

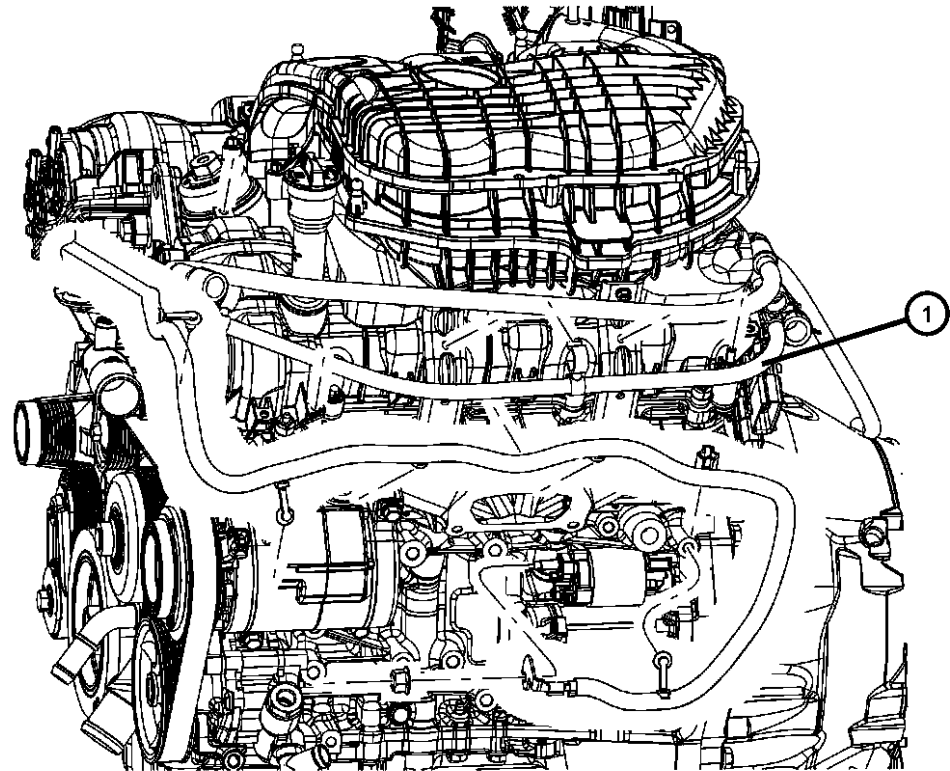
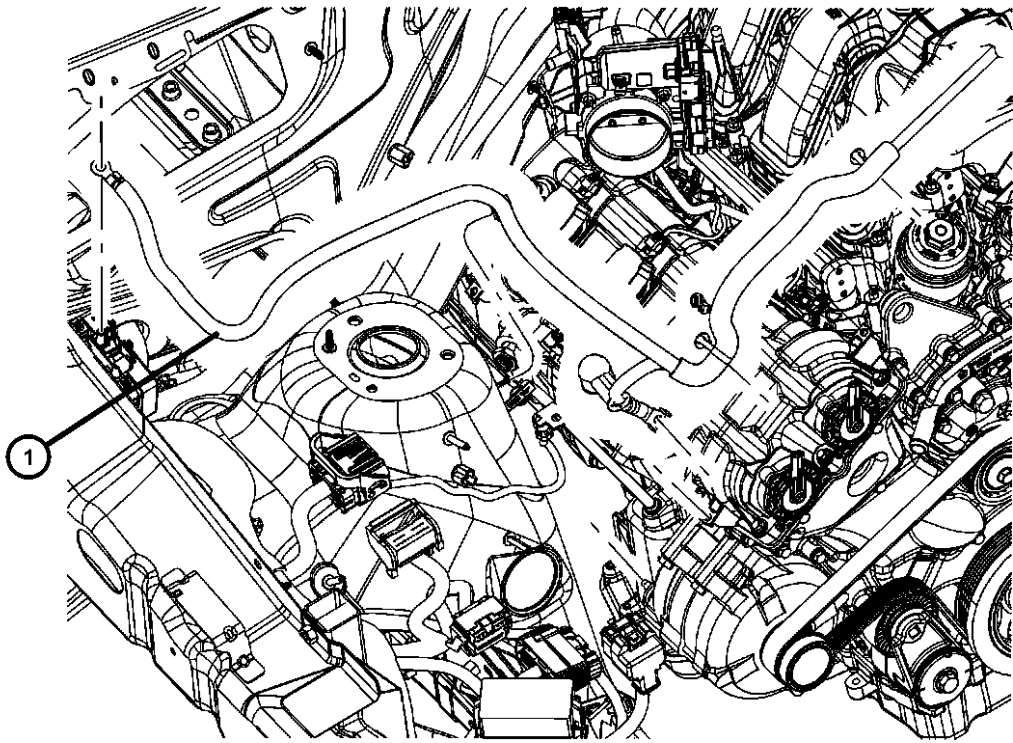
TRANSMISSION
DGQ = 5-Spd Automatic 545RFE
Transmission
DGJ = 5-Speed Auto W5A580
Transmission

AR = use ase required - = Non illustrated part

2011 WK

**Wiring Battery
Figure 8-1011**

ITEM	PART NUMBER	QTY	LINE	SERIES	BODY	ENGINE	TRANS	TRIM	DESCRIPTION
1									WIRING, Battery, Alternator, And Starter
	04560230AB	1	J, T, U		74	EXF			
	68022335AH	1	J, T, U		74	ER0			
	68022337AH	1	J, T, U		74	EZ0			



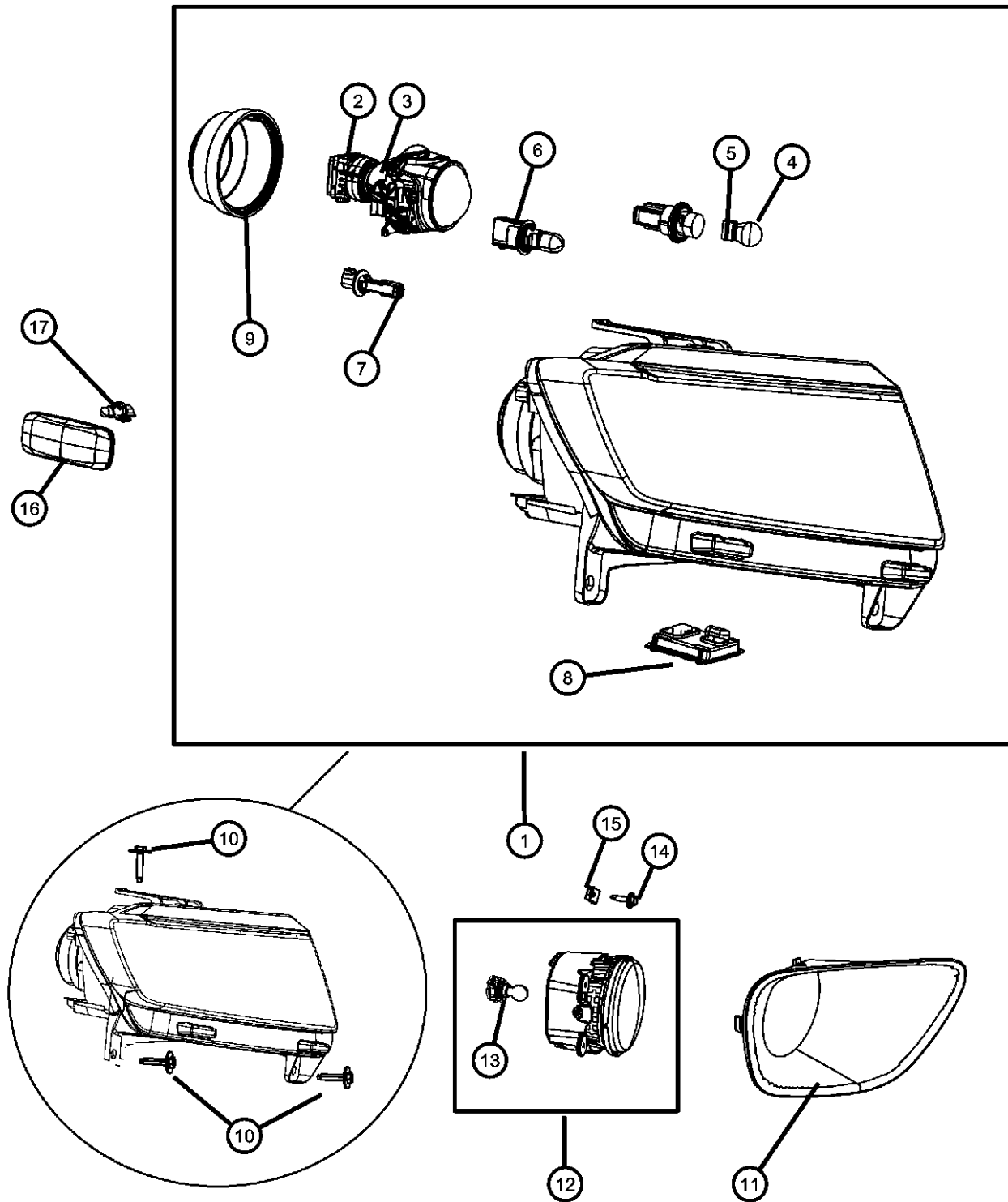
GRAND CHEROKEE (WK)

SERIES	LINE	BODY	ENGINE	TRANSMISSION
H = HIGHLINE	T = JEEP - 2WD	74 = SPORT UTILITY 4-DR	ERB = 3.XL Mid V6 Engine	DGQ = 5-Spd Automatic 545RFE
P = PREMIUM	J = JEEP - 4WD	TYPE #4	EZH = 5.7L V8 HEMI MDS	Transmission
S = SPORT	U = JEEP - 4WD (RHD)		VVT Engine	DGJ = 5-Speed Auto W5A580
			EXF = 3.0L V6 Turbo Diesel	Transmission
			Engine	

AR = use ase required - = Non illustrated part

2011 WK

Lamps Front
Figure 8-1105



ITEM	PART NUMBER	QTY	LINE	SERIES	BODY	ENGINE	TRANS	TRIM	DESCRIPTION
1									HEADLAMP
	55079378AC	1	J, T, U		74				[LMB] Up to 06/30/10, Right
	55079378AD	1	J, T, U		74				[LMB] After 06/30/10, Right
	55079379AC	1	J, T, U		74				[LMB] Up to 06/30/10, Left
	55079379AD	1	J, T, U		74				[LMB] After 06/30/10, Left
	55079380AE	1	J, T		74				[LM2] Up to 06/30/10, Right
	55079380AF	1	J, T		74				[LM2] After 06/30/10, Right
	55079381AE	1	J, T		74				[LM2] Up to 06/30/10, Left
	55079381AF	1	J, T		74				[LM2] After 06/30/10, Left
	55079408AE	1	J, T		74				[LM2] Up to 06/30/10, Right, Export
	55079408AF	1	J, T		74				[LM2] After 06/30/10, Right, Export
	55079409AE	1	J, T		74				[LM2] Up to 06/30/10, Left, Export
	55079409AF	1	J, T		74				[LM2] After 06/30/10, Left, Export
	55079410AE	1	U		74				[LM2] Up to 06/30/10, Right
	55079410AF	1	U		74				[LM2] After 06/30/10, Right
	55079411AE	1	U		74				[LM2] Up to 06/30/10, Left
	55079411AF	1	U		74				[LM2] After 06/30/10, Left
2									BULB, Headlamp
	04865941AC	1	J, T		74				HID Bulb
	L0000H11	1	J, T, U		74				Low beam
3									BULB, Headlamp, High beam
	L0009005	1	J, T, U		74				SilverStar
	P0009005EB								
4	L0007440NA	1	J, T, U		74				BULB, 7440NA/WY21W
5	L0007444NA	1	J, T		74				BULB, 7444NA
6									BULB, 3157
	L0003157	1	J, T, U		74				
		1	U		74				
7	L002825W5W	1	J, T, U		74				BULB, W5W
8	68086783AA	1	J, T		74				MODULE, HID Ballast
9	68086785AA	1	J, T		74				BOOT, Headlamp
10	68086706AA	6	J, T, U		74	ERB, ESG, EZO			BOLT AND WASHER, Hex Head, M6X1.00X31.00, HEADLAMP ATTACH
11	68078285AA	1	J, T, U		74				BEZEL, Fog LampLeft

GRAND CHEROKEE (WK)

SERIES LINE
H = HIGHLINE T = JEEP - 2WD
P = PREMIUM J = JEEP - 4WD
S = SPORT U = JEEP - 4WD (RHD)

BODY
74 = SPORT UTILITY 4-DR TYPE #4

ENGINE
ERB = 3.XL Mid V6 Engine
EZH = 5.7L V8 HEMI MDS VVT Engine
EXF = 3.0L V6 Turbo Diesel Engine

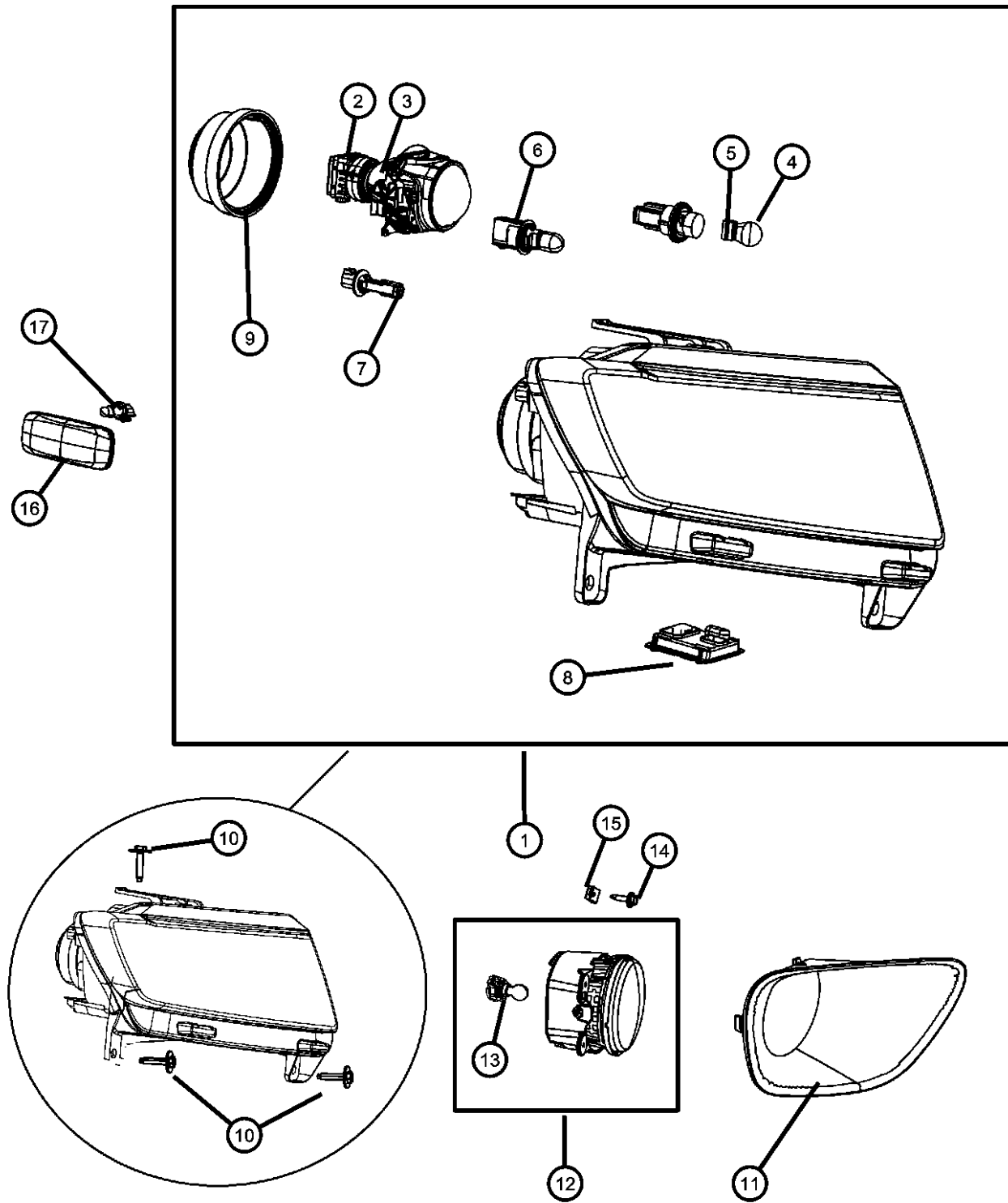
TRANSMISSION
DGQ = 5-Speed Automatic 545RFE Transmission
DGJ = 5-Speed Auto W5A580 Transmission

AR = use ase required - = Non illustrated part

2011 WK

Lamps Front
Figure 8-1105

ITEM	PART NUMBER	QTY	LINE	SERIES	BODY	ENGINE	TRANS	TRIM	DESCRIPTION
12	05182026AA	2	J, T, U		74				LAMP, Front Fog
13	L000PSX24W	2	J, T, U		74				BULB, PSX24W
14	68078585AA	6	J, T, U		74				SCREW, Tapping
15	68078586AA	6	J, T, U		74				U-NUT, Fog lamp attaching
16	04806224AE	2	J, T, U		74				LAMP, Side Repeater
17	L000WY5W	2	J, T, U		74				BULB, 12V 5W



GRAND CHEROKEE (WK)

SERIES LINE
H = HIGHLINE T = JEEP - 2WD
P = PREMIUM J = JEEP - 4WD
S = SPORT U = JEEP - 4WD (RHD)

BODY
74 = SPORT UTILITY 4-DR
TYPE #4

ENGINE
ERB = 3.0L Mid V6 Engine
EZH = 5.7L V8 HEMI MDS
VVT Engine
EXF = 3.0L V6 Turbo Diesel
Engine

TRANSMISSION
DGQ = 5-Spd Automatic 545RFE
Transmission
DGJ = 5-Speed Auto W5A580
Transmission

AR = use ase required - = Non illustrated part

2011 WK

Lamps Rear
Figure 8-1111

ITEM	PART NUMBER	QTY	LINE	SERIES	BODY	ENGINE	TRANS	TRIM	DESCRIPTION
1									LAMP, Tail
	55079414AD	1	J, T, U		74				Up to 10/25/10, Right, Export
	55079414AE	1	J, T, U		74				After 10/25/10, Right, Export
	55079415AD	1	J, T, U		74				Up to 10/25/10, Left, Export
	55079415AE	1	J, T, U		74				After 10/25/10, Left, Export
	55079420AD	1	J, T, U		74				Right
	55079421AD	1	J, T, U		74				Left
2	L0003157	1	J, T, U		74				BULB, 3157Export
3	L0003057	1	J, T, U		74				BULB, 3057
	P003157STS								SilverStar
4	L0007440NA	1	J, T, U		74				BULB, 7440NA/WY21W
5	L0007440	1	J, T, U		74				BULB, 7440/W21W
6	68086141AA	1	J, T, U		74				BRACKET, Tail Lamp
7	05160255AB	4	J, T, U		74				GROMMET, Tail Lamp
8	06509607AA	6	J, T, U		74				PIN, Push
9									LAMP, BackUp
	57010274AD	1	J, T, U		74				Right
	57010275AD	1	J, T, U		74				Left
10	00153624	1	J, T, U		74				BULB, W3W
11	L000921E	1	J, T, U		74				BULB, 921
	P000921STS								SilverStar
12	06101443	8	J, T, U		74				NUT AND WASHER, Hex, M5x.80, TAIL LAMP TO LIFTGATE
13	05303754AE	1	J, T, U		74				LAMP, Liftgate Chmsl
14	68086315AA	1	J, T, U		74				WIRING, High Mounted Stop Lamp
15		1							SCREW, (NOT SERVICED)
16									HANDLE, Liftgate
	55079268AI	1	J, T, U		74				[MNP], [GX4] After 09/20/10
	68083083AA	1	J, T, U		74				[XAC]
	68086771AA	1	J, T, U		74				[MNP] Up to 11/22/10
	68086771AC	1	J, T, U		74				[MNP] After 11/22/10
	55079268AH	1	J, T, U		74				[MNP], [GX4] Up to 09/20/10
17									LENS, License Lamp
	68082644AA	1	J, T, U		74				Right
	68082645AA	1	J, T, U		74				Left

GRAND CHEROKEE (WK)

SERIES LINE
H = HIGHLINE T = JEEP - 2WD
P = PREMIUM J = JEEP - 4WD
S = SPORT U = JEEP - 4WD (RHD)

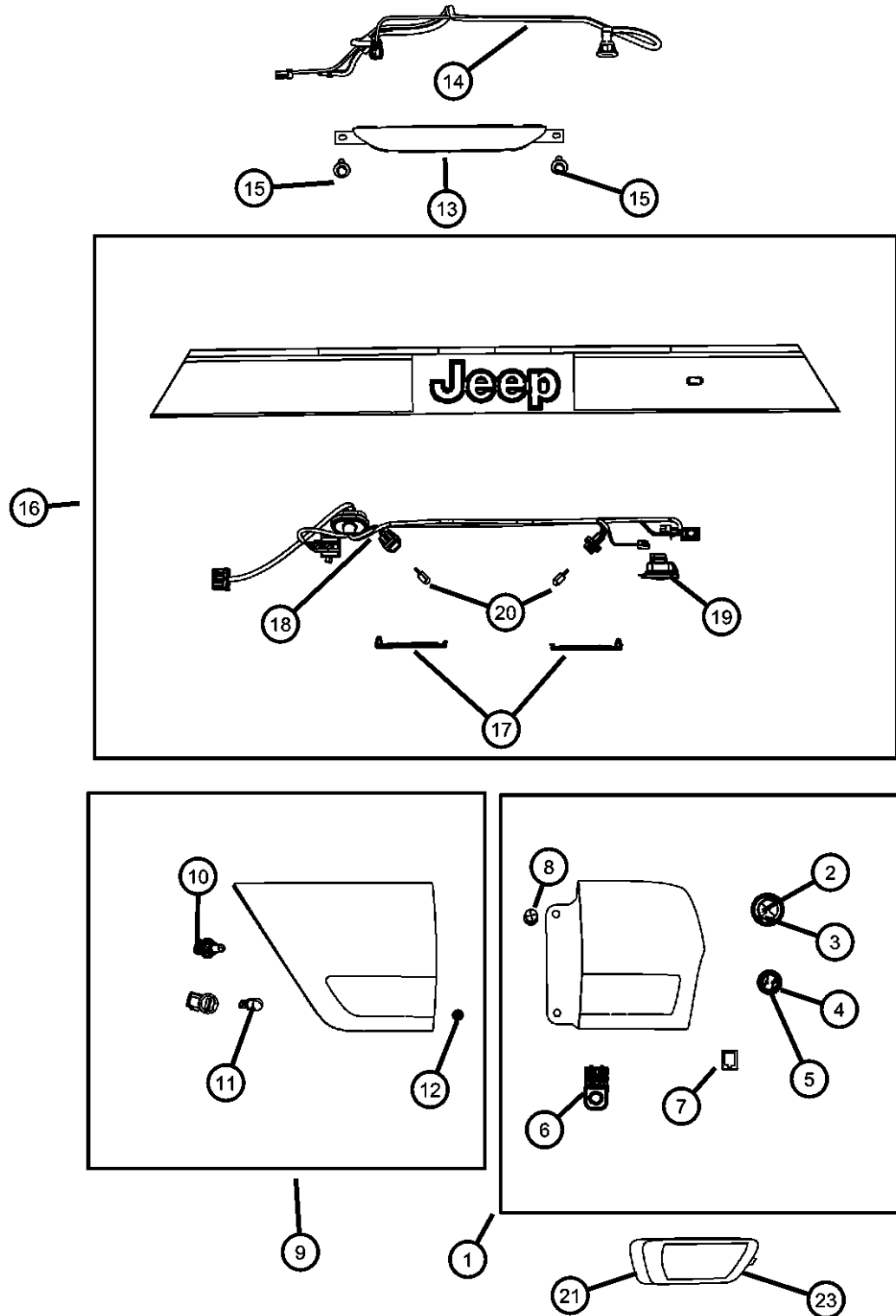
BODY
74 = SPORT UTILITY 4-DR
TYPE #4

ENGINE
ERB = 3.XL Mid V6 Engine
EZH = 5.7L V8 HEMI MDS
VVT Engine
EXF = 3.0L V6 Turbo Diesel
Engine

TRANSMISSION
DGQ = 5-Speed Automatic 545RFE
Transmission
DGJ = 5-Speed Auto W5A580
Transmission

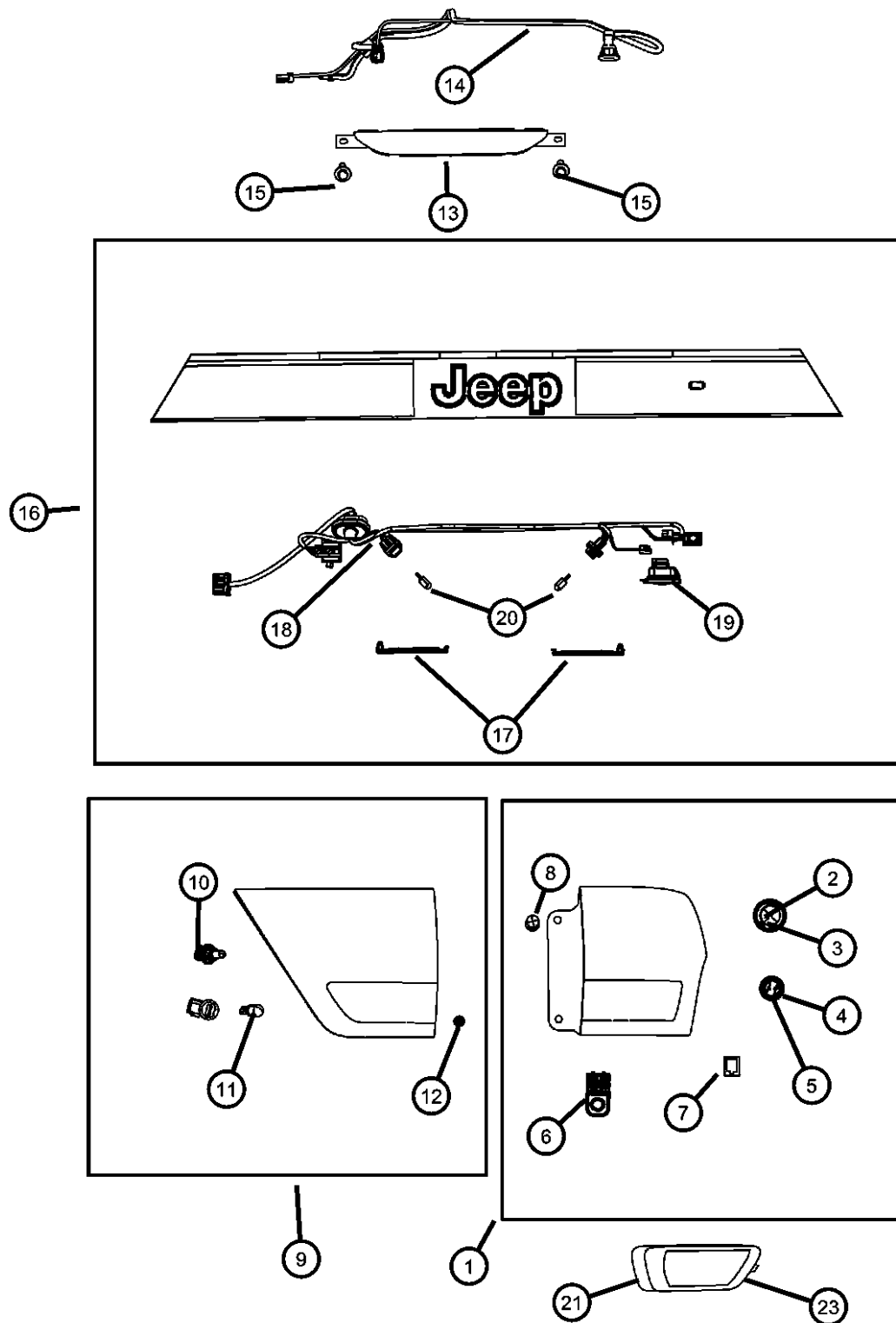
AR = use ase required - = Non illustrated part

2011 WK



Lamps Rear
Figure 8-1111

ITEM	PART NUMBER	QTY	LINE	SERIES	BODY	ENGINE	TRANS	TRIM	DESCRIPTION
18		1							WIRING, License Lamp, serviced in handle assy only, (NOT SERVICED)
19	68083081AA	1	J, T, U		74				SWITCH, Flipper Window
20	L0000168	2	J, T, U		74				BULB, 168
21									LAMP, Rear Fog
	57010716AB	1	J, T, U		74	ERB, EXL			Right
		1	J, T, U		74	EZ0			Right
	57010717AB	1	J, T, U		74	EZ0			Left
		1	J, T, U		74	ERB, EXL			Left
-22	L0007440	1	J, T, U		74				BULB, 7440/W21W
23									REFLECTOR, Fascia
	57010720AB	1	J, T, U		74	EZ0			Right
		1	J, T, U		74	ERB, EX0			Right
	57010721AB	1	J, T, U		74	EZ0			Left
		1	J, T, U		74	ERB, EX0			Left



GRAND CHEROKEE (WK)

SERIES LINE
H = HIGHLINE T = JEEP - 2WD
P = PREMIUM J = JEEP - 4WD
S = SPORT U = JEEP - 4WD (RHD)

BODY
74 = SPORT UTILITY 4-DR
TYPE #4

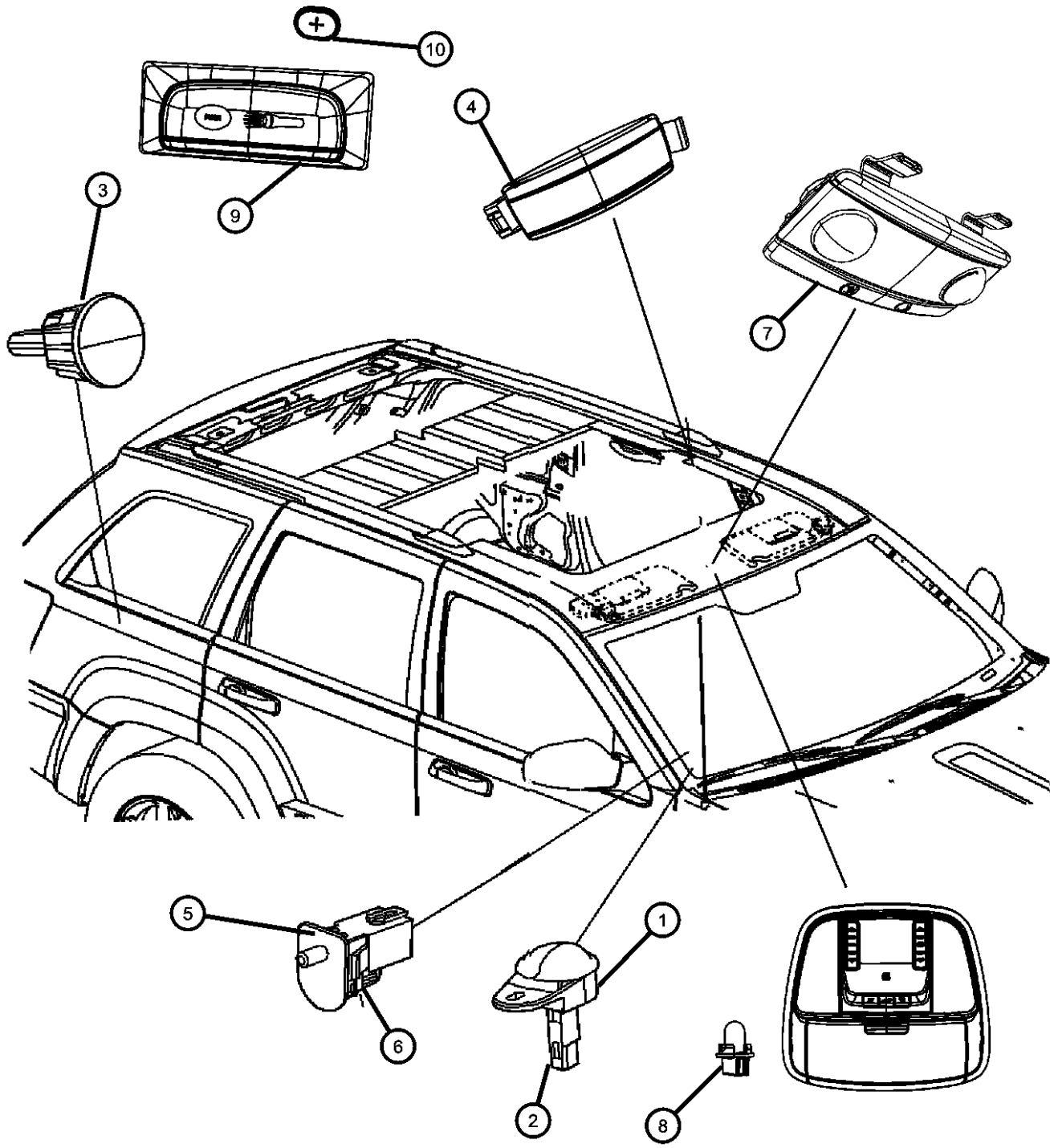
ENGINE
ERB = 3.0L V6 Engine
EZH = 5.7L V8 HEMI MDS
VVT Engine
EXF = 3.0L V6 Turbo Diesel
Engine

TRANSMISSION
DGQ = 5-Spd Automatic 545RFE
Transmission
DGJ = 5-Speed Auto W5A580
Transmission

AR = use ase required - = Non illustrated part

2011 WK

Lamps Interior
Figure 8-1115



ITEM	PART NUMBER	QTY	LINE	SERIES	BODY	ENGINE	TRANS	TRIM	DESCRIPTION
1	56042559AA	1	J, T, U		74				LAMP, Courtesy, Instrument panel
2	L0000906	1	J, T, U		74				BULB, 906
3	68085871AA	2	J, T, U		74				LAMP, Cargo
4									LAMP, Dome
	1LQ07BD1AA	1	J, T, U		74				[XT] [LCE] INCANDESCENT
	1LQ07HL1AA	1	J, T, U		74				[L9] [LCE] INCANDESCENT
		1	J, T, U		74				[XL] [LCE] INCANDESCENT
		1	J, T, U		74				[D3] [LCE] INCANDESCENT
		1	J, T, U		74				[X9] [LCE] INCANDESCENT
5	04565022	1	J, T, U		74				SWITCH AND LAMP, Glove Box
6	L0000194	1	J, T, U		74				BULB, 194
7									LAMP, Dome And Reading
	1LQ02BD1AA	1	J, T, U		74				[D3] [LCE] FIXED INCANDESCENT
		1	J, T, U		74				[X9] [LCE] FIXED INCANDESCENT
		1	J, T, U		74				[XT] [LCE] FIXED INCANDESCENT
	1LQ02HL1AA	1	J, T, U		74				[L9] [LCE] FIXED INCANDESCENT
		1	J, T, U		74				[XL] [LCE] FIXED INCANDESCENT
8									BULB, 12V 6W
	68090625AA	2	J, T, U	P, S	74				Overhead console
		2	J, T, U	H, P	74				Overhead console
9									LAMP, Flashlight
	1GA32HL9AA	1	J, T, U		74				[L9] Removable/rechargeable
	1GA32DX9AA	1	J, T, U		74				[X9] Removable/rechargeable
		1	J, T, U		74				[XF] Removable/rechargeable
		1	J, T, U		74				[XL] Removable/rechargeable
		1	J, T, U		74				[XT] Removable/rechargeable
	1GA32BD3AA	1	J, T, U		74				[D3] Removable/rechargeable
10	05183454AA	1	J, T, U		74				BATTERY, Flashlight

GRAND CHEROKEE (WK)

SERIES LINE
H = HIGHLINE T = JEEP - 2WD
P = PREMIUM J = JEEP - 4WD
S = SPORT U = JEEP - 4WD (RHD)

BODY
74 = SPORT UTILITY 4-DR
TYPE #4

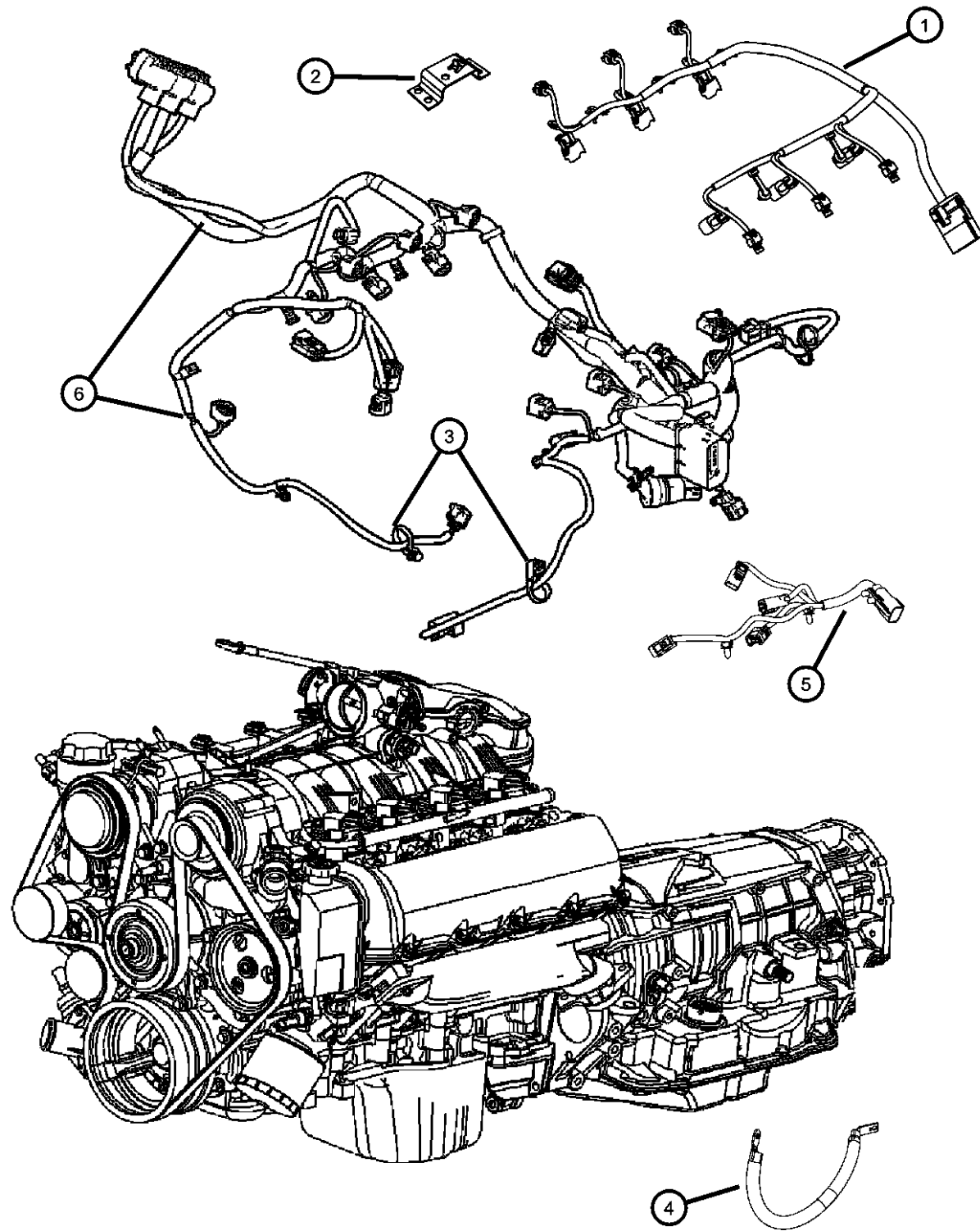
ENGINE
ERB = 3.0L Mid V6 Engine
EZH = 5.7L V8 HEMI MDS
VVT Engine
EXF = 3.0L V6 Turbo Diesel
Engine

TRANSMISSION
DGQ = 5-Spd Automatic 545RFE
Transmission
DGJ = 5-Speed Auto W5A580
Transmission

AR = use ase required - = Non illustrated part

2011 WK

Wiring Engine Gas
Figure 8-1205



ITEM	PART NUMBER	QTY	LINE	SERIES	BODY	ENGINE	TRANS	TRIM	DESCRIPTION
1	05148037AD	1	J, T, U		74	ERB			WIRING, Injector Up to 7/19/10
	05148037AE	1	J, T, U		74	ERB			After 7/19/10
2	05148104AA	1	J, T, U		74	ERB			BRACKET, Engine Wiring
3	68084495AA	AR	J, T, U		74				STRAP, Tie
4	05148100AH	1	J, T		74	ERB, EX0, EZ0			WIRING, Ground Jumper
5									WIRING, KNOCK, OIL PRESSURE, & TEMPERATURE SENSOR
	05148105AD	1	J, T, U		74	ERB			Up to 07/19/10
	05148105AE	1	J, T, U		74	ERB			After 07/19/10
6	04801788AJ	1	J, T, U		74	ERB			WIRING, Engine

GRAND CHEROKEE (WK)

SERIES LINE
H = HIGHLINE T = JEEP - 2WD
P = PREMIUM J = JEEP - 4WD
S = SPORT U = JEEP - 4WD (RHD)

BODY
74 = SPORT UTILITY 4-DR
TYPE #4

ENGINE
ERB = 3.XL Mid V6 Engine
EZH = 5.7L V8 HEMI MDS
VVT Engine
EXF = 3.0L V6 Turbo Diesel
Engine

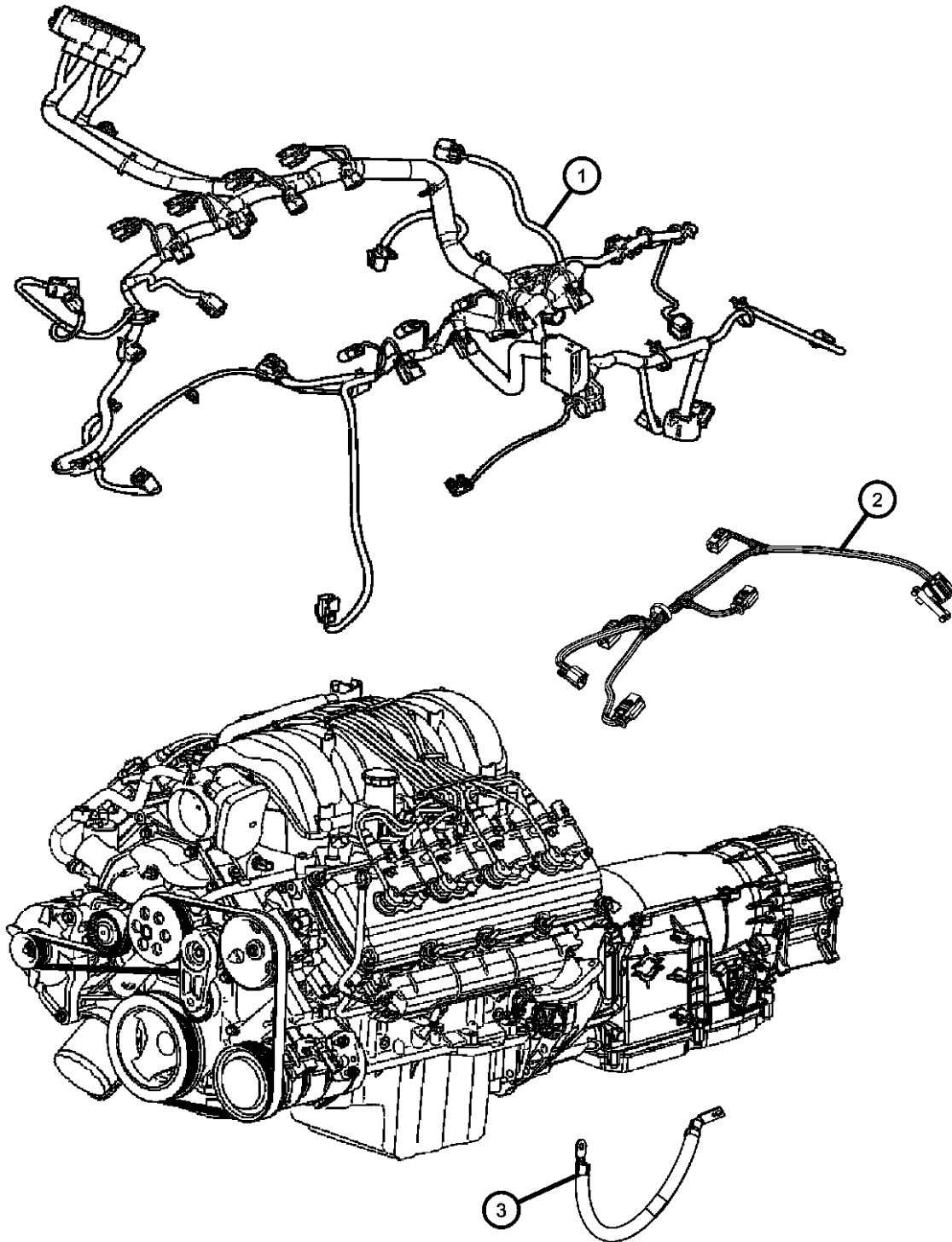
TRANSMISSION
DGQ = 5-Spd Automatic 545RFE
Transmission
DGJ = 5-Speed Auto W5A580
Transmission

AR = use ase required - = Non illustrated part

2011 WK

Wiring Engine Gas
Figure 8-1206

ITEM	PART NUMBER	QTY	LINE	SERIES	BODY	ENGINE	TRANS	TRIM	DESCRIPTION
1	04801790AH	1	J, T, U		74	EZ0			WIRING, Injector
2	05148163AA	1	J, T		74	EZ0			WIRING, Jumper, Multiple displacement solenoid
3	04560232AA	1	J, T		74	EXF, EZH			WIRING, Ground Jumper
	05148100AH	1	J, T		74	EZ0, ERB, EX0			After 4/12/10 Up to 4/12/10



GRAND CHEROKEE (WK)

SERIES LINE
H = HIGHLINE T = JEEP - 2WD
P = PREMIUM J = JEEP - 4WD
S = SPORT U = JEEP - 4WD (RHD)

BODY
74 = SPORT UTILITY 4-DR
TYPE #4

ENGINE
ERB = 3.XL Mid V6 Engine
EZH = 5.7L V8 HEMI MDS
VVT Engine
EXF = 3.0L V6 Turbo Diesel
Engine

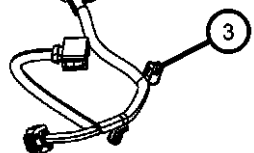
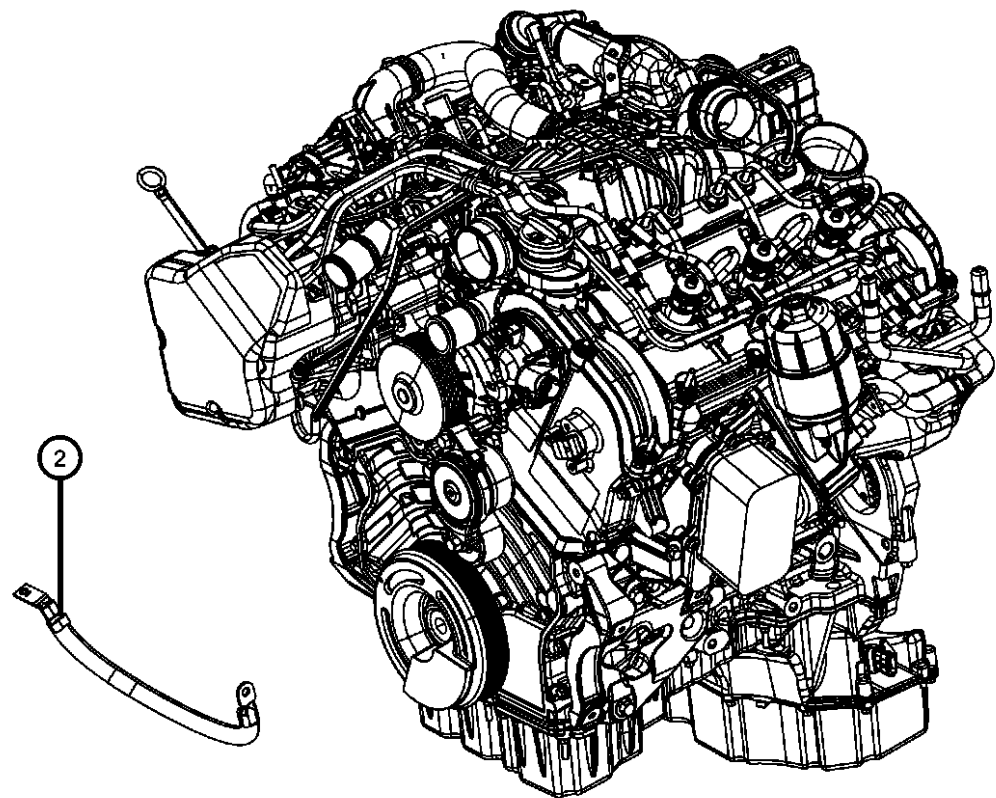
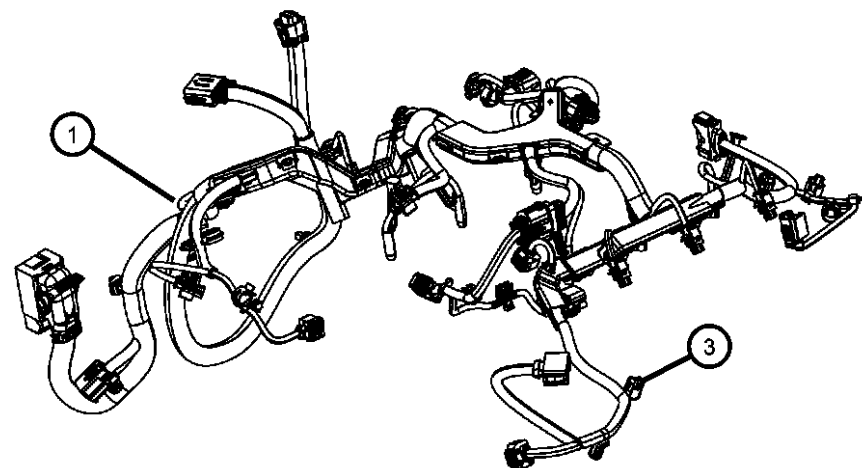
TRANSMISSION
DGQ = 5-Spd Automatic 545RFE
Transmission
DGJ = 5-Speed Auto W5A580
Transmission

AR = use ase required - = Non illustrated part

2011 WK

Wiring Engine Diesel 3.0L
Figure 8-1207

ITEM	PART NUMBER	QTY	LINE	SERIES	BODY	ENGINE	TRANS	TRIM	DESCRIPTION
1	04560231AA	1	J, T, U		74	EXF			WIRING, Injector
2	04560232AA	1	J, T, U		74	EXF, EZH			WIRING, Ground Jumper
3	68088802AA	1	J, T, U		74	EXF			WIRING, Jumper, Diesel Throttle



GRAND CHEROKEE (WK)

SERIES LINE
H = HIGHLINE T = JEEP - 2WD
P = PREMIUM J = JEEP - 4WD
S = SPORT U = JEEP - 4WD (RHD)

BODY
74 = SPORT UTILITY 4-DR
TYPE #4

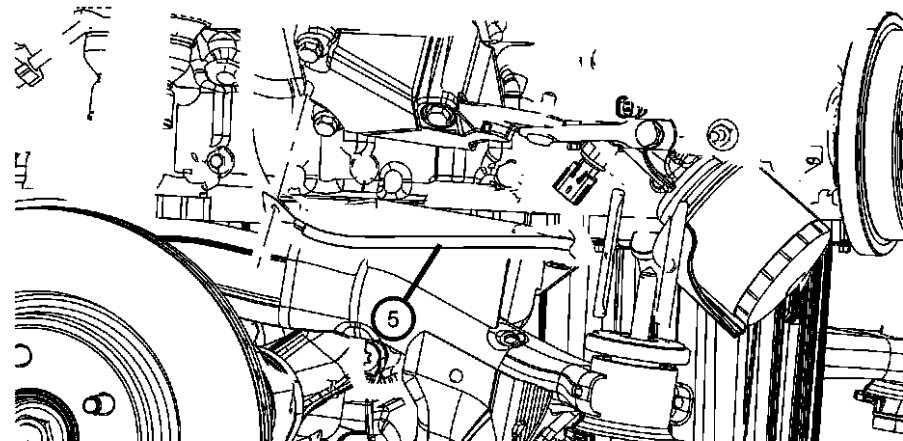
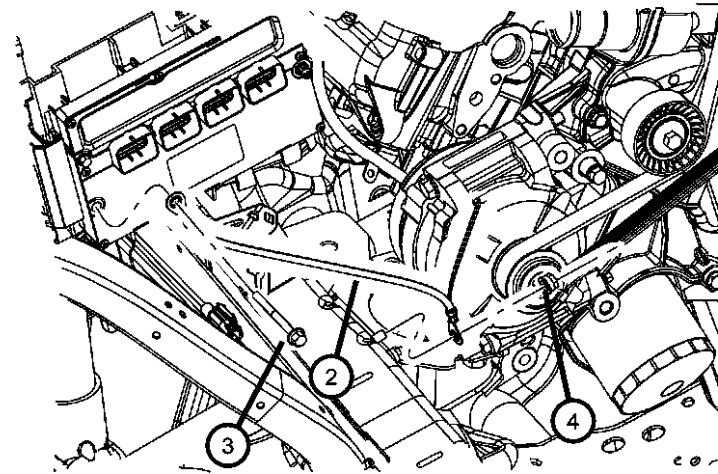
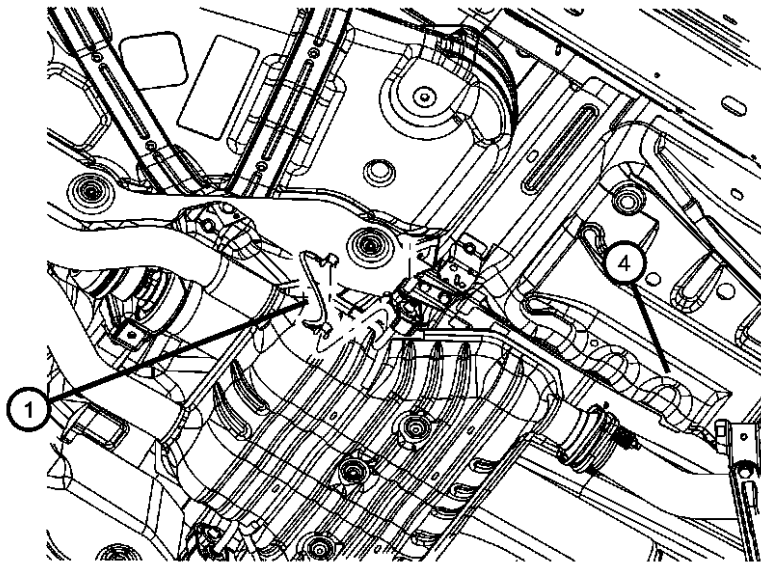
ENGINE
ERB = 3.0L Mid V6 Engine
EZH = 5.7L V8 HEMI MDS
VVT Engine
EXF = 3.0L V6 Turbo Diesel
Engine

TRANSMISSION
DGQ = 5-Spd Automatic 545RFE
Transmission
DGJ = 5-Speed Auto W5A580
Transmission

AR = use ase required - = Non illustrated part

2011 WK

Ground Straps
Figure 8-1215



ITEM	PART NUMBER	QTY	LINE	SERIES	BODY	ENGINE	TRANS	TRIM	DESCRIPTION
1	05064960AA	1	J, T, U		74				STRAP, Ground, Exhaust
2	68070029AA	1	J, T, U		74	ERB, EZH			STRAP, Ground, NGC Module
3	06509674AA	3	J, T, U		74	ERB, EZH			SCREW, Hex Flange Head, M5X0.8X55.00
4		3							NUT AND WASHER, (NOT SERVICED)
5	05064962AA	1	J, T, U		74	ERB, EZ0			STRAP, Ground, Engine

GRAND CHEROKEE (WK)

SERIES LINE
H = HIGHLINE T = JEEP - 2WD
P = PREMIUM J = JEEP - 4WD
S = SPORT U = JEEP - 4WD (RHD)

BODY
74 = SPORT UTILITY 4-DR TYPE #4

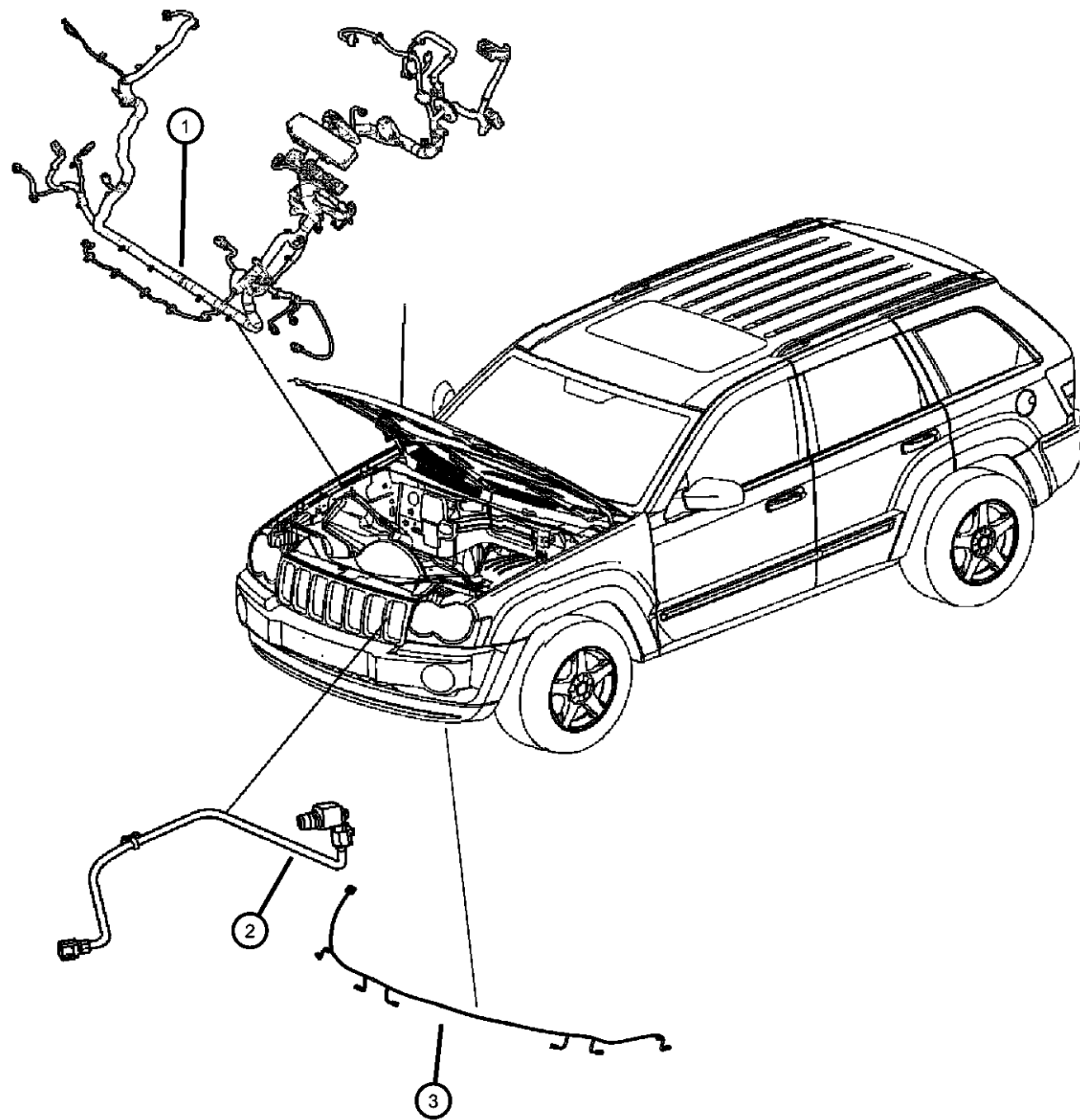
ENGINE
ERB = 3.0L V6 Engine
EZH = 5.7L V8 HEMI MDS VVT Engine
EXF = 3.0L V6 Turbo Diesel Engine

TRANSMISSION
DGQ = 5-Spd Automatic 545RFE Transmission
DGJ = 5-Speed Auto W5A580 Transmission

AR = use ase required - = Non illustrated part

2011 WK

Wiring Headlamp to Dash
Figure 8-1305



ITEM	PART NUMBER	QTY	LINE	SERIES	BODY	ENGINE	TRANS	TRIM	DESCRIPTION
1									WIRING, Headlamp to Dash
	68022526AJ	1	J, T		74	ERB			[SER], Export
	68022527AJ	1	J, T		74	ERB			[LM2], Export
	68022534AJ	1	J, T		74	EZ0			[LM2,NMC], Export
	68022535AJ	1	J, T		74	EZ0			[NMC,SER], Export
	68023268AJ	1	U		74	EZ0			[NMC,SER], Export
	68023271AJ	1	U		74	EZ0			[NMC], Export
	68068974AJ	1	U		74	EZ0			[LM2], Export
	68068978AJ	1	J, T		74	ERB			Base
	68068979AJ	1	J, T		74	EZ0			[LM2]
	68068982AJ	1	J, T		74	EZ0			[NMC]
	68068983AJ	1	J, T		74	EZ0			Base
	68068987AJ	1	J, T		74	EZ0			[LM2], Export
	68068989AJ	1	U		74	EZ0			[SER], Export
	68069356AJ	1	J, T		74	EZ0			[SER], Export
	68078857AJ	1	J, T		74	EZ0			[SER]
	68078858AJ	1	J, T		74	ERB			[SER]
	68079510AJ	1	J, T		74	ERB			[LM2]
	68085888AA	1	J, T, U		74	EXF			Base
	68087629AB	1	J, T		74	EXF			[LM2]
	68087630AB	1	U		74	EXF			[LM2]
	68087631AB	1	J, T		74	EXF			[LM2], [SER]
	68087632AB	1	U		74	EXF			[LM2], [SER]
	68022504AJ	1	U		74	ERB			[LM2]
	68022505AJ	1	U		74	ERB			[SER]
	68022517AJ	1	J, T		74	EZ0			[NMC,SER]
	68022518AJ	1	J, T		74	EZ0			[LM2,NMC]
2									WIRING, Front End Module
	68023305AK	1	J, T, U		74				[LMB,NMC,XBM]
	68023313AK	1	J, T, U		74				[NMB,LS9,XAG,NHP], Export
	68023317AK	1	J, T, U		74				[LM2,NMB,NHP]
	68023318AK	1	J, T, U		74				[LM2,NMC,NHP]
	68024434AK	1	J, T, U		74				[LMB,NMB,XBM]
	68024508AK	1	J, T, U		74				[NMC,LS9], Export
	68024509AK	1	J, T, U		74				[NMB,LS9], Export

GRAND CHEROKEE (WK)

SERIES LINE
H = HIGHLINE T = JEEP - 2WD
P = PREMIUM J = JEEP - 4WD
S = SPORT U = JEEP - 4WD (RHD)

BODY
74 = SPORT UTILITY 4-DR
TYPE #4

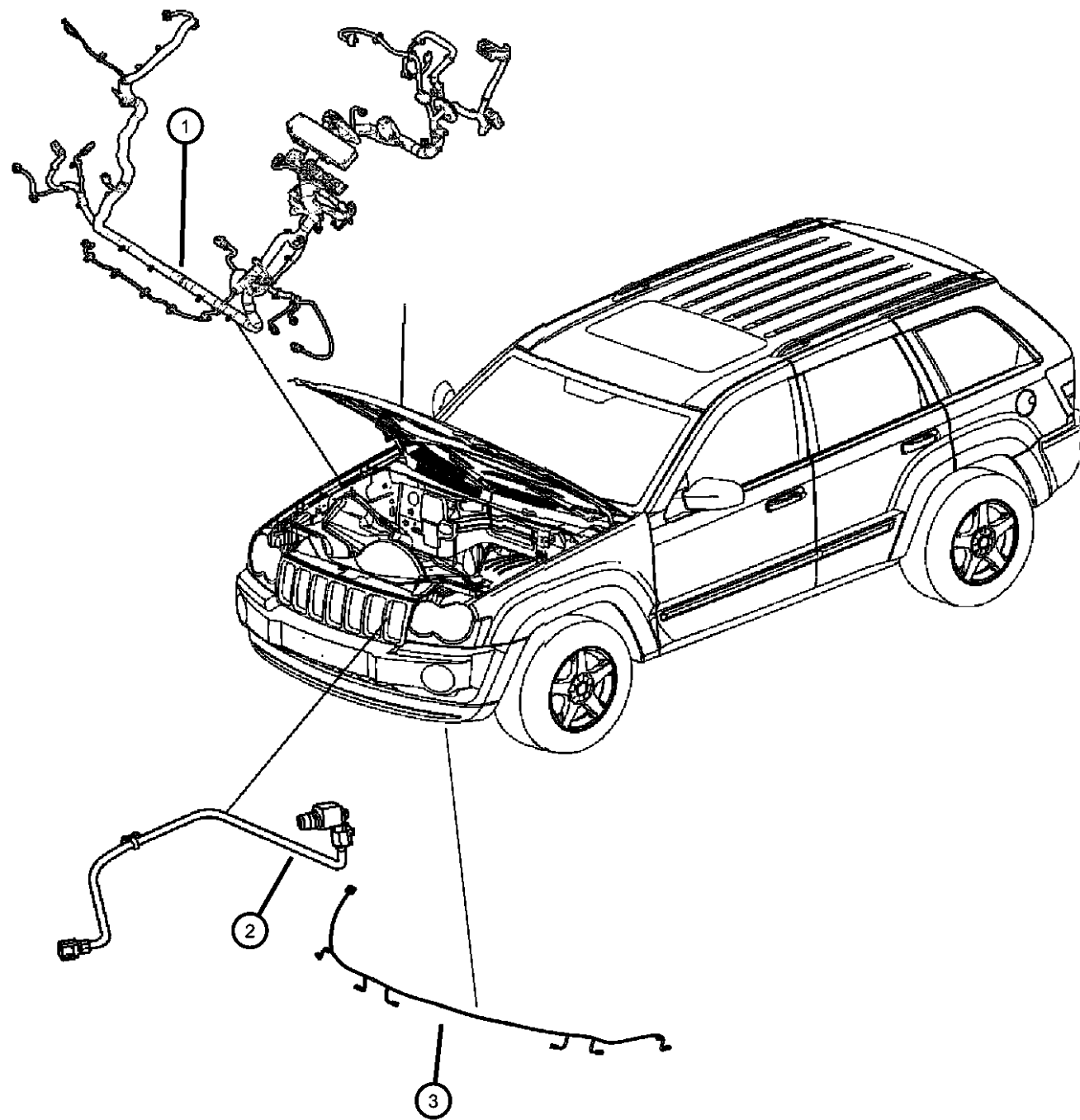
ENGINE
ERB = 3.XL Mid V6 Engine
EZH = 5.7L V8 HEMI MDS
VVT Engine
EXF = 3.0L V6 Turbo Diesel
Engine

TRANSMISSION
DGQ = 5-Speed Automatic 545RFE
Transmission
DGJ = 5-Speed Auto W5A580
Transmission

AR = use ase required - = Non illustrated part

2011 WK

Wiring Headlamp to Dash
Figure 8-1305



ITEM	PART NUMBER	QTY	LINE	SERIES	BODY	ENGINE	TRANS	TRIM	DESCRIPTION
	68024516AK	1	J, T, U		74				[NMC,LS9,XAG,NHP], Export
	68078977AK	1	J, T		74				[LM2,NMB]
	68078978AK	1	J, T		74				[LMB,NMB]
	68078979AK	1	J, T		74				[LM2,NMC]
	68078980AK	1	J, T		74				[LMB,NMC]
	68078981AK	1	J, T, U		74				[NMB,NHP,XAG], Export
	68078982AK	1	J, T, U		74				[NMB,LS9,XAG], Export
	68078983AK	1	J, T, U		74				[NMB,XAG], Export
	68078984AK	1	J, T, U		74				[NMC,XAG,NHP], Export
	68078985AK	1	J, T, U		74				[NMC,LS9,XAG], Export
	68078986AK	1	J, T, U		74				[NMC,XAG], Export
	68078987AK	1	J, T, U		74				[NMC], Export
	68078988AK	1	J, T, U		74				[NMB], Export
3	68078277AA	1	J, T, U		74				WIRING, Front Fascia

GRAND CHEROKEE (WK)

SERIES LINE
H = HIGHLINE T = JEEP - 2WD
P = PREMIUM J = JEEP - 4WD
S = SPORT U = JEEP - 4WD (RHD)

BODY
74 = SPORT UTILITY 4-DR
TYPE #4

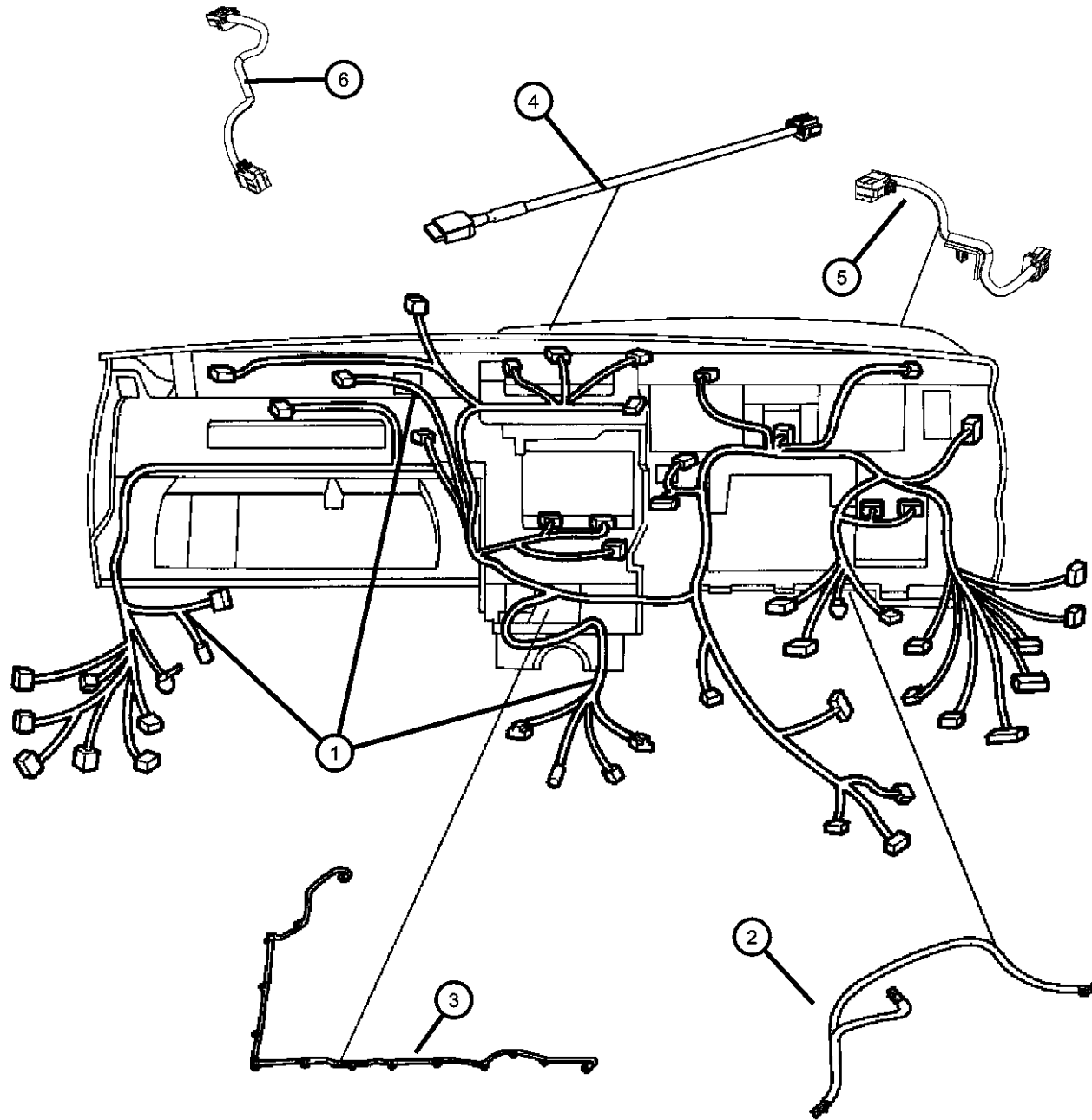
ENGINE
ERB = 3.XL Mid V6 Engine
EZH = 5.7L V8 HEMI MDS
VVT Engine
EXF = 3.0L V6 Turbo Diesel
Engine

TRANSMISSION
DGQ = 5-Spd Automatic 545RFE
Transmission
DGJ = 5-Speed Auto W5A580
Transmission

AR = use ase required - = Non illustrated part

2011 WK

**Wiring Instrument Panel
Figure 8-1405**



ITEM	PART NUMBER	QTY	LINE	SERIES	BODY	ENGINE	TRANS	TRIM	DESCRIPTION
1									WIRING, Instrument Panel
	68087572AB	1	J, T		74	EXF			[HAF], [RSQ], [RSX], [SUB]
	68087573AB	1	U		74	EXF			[HAF]
	68087574AB	1	U		74	EXF			[HAF], [RSQ], [RSX]
	68087576AB	1	U		74	EXF			[HAF], [XRB], [SUB]
	68087577AB	1	U		74	EXF			[HAF], [RSQ], [RSX], [SUB]
	68087578AB	1	U		74	EXF			[HAF], [RSQ], [RSX], [XRV]
	68087194AB	1	J, T		74	ER0, EZ0			[HAF], [RSX], [RSP], [XRV]
	68087195AA	1	U		74	ER0, EZ0			[HAF], [RSQ],[RSX], [XRV]
	68087569AB	1	J, T		74	EXF			[HAF]
	68087570AB	1	J, T		74	EXF			[HAF], [RSQ], [RSX]
	68087571AB	1	J, T		74	EXF			[HAF], [XRB], [SUB]
	68068876AJ	1	J, T		74	ER0, EZ0			[HAF] Without [RSX]
	68068878AH	1	J, T		74	ER0, EZ0			[HAF], [RSQ], [RSX]
	68068882AK	1	J, T		74	ER0, EZ0			[HAF], [RSX], [RSQ], [SUB]
	68068884AH	1	U		74	ER0, EZ0			[HAF], Export
	68068886AH	1	U		74	ER0, EZ0			[HAF], [RSQ], [RSX]
	68068888AJ	1	U		74	ER0, EZ0			[HAF]
	68068890AJ	1	U		74	ER0, EZ0			[HAF], [RSX], [RSQ], [SUB]
	68023023AK	1	J, T		74	ER0, EZ0			[HAF], [XRB], [RST]
	68045929AJ	1	U		74	ER0, EZ0			[XRB], [HAF], [RST]
	68068870AJ	1	J, T		74	ER0, EZ0			[HAF], [RSX], [RSP]
	68068871AJ	1	J, T		74	ER0, EZ0			[HAD]
	68068872AJ	1	J, T		74	ER0, EZ0			[HAF]
	68068873AJ	1	J, T		74	EZ0, ER0			[HAD], [RSX], [RSP]
	68068874AK	1	J, T		74	ER0, EZ0			[HAF], [RSC], [RSX], [SUB]
	68068875AK	1	J, T		74	ER0, EZ0			[XRB], [RST]
2									WIRING, Steering Wheel
	68084541AA	1	J, T, U		74				[SCV,NHM,LAZ]
	68084546AB	1	J, T, U		74				[SCW,NHM]
		1	J, T, U		74				[SCW,NHP]
		1	J, T, U		74				[SCV,NHM,LAZ,NHS,RSP]
		1	J, T, U		74				[SCV,NHP]
3									WIRING, Hands Free Communication

GRAND CHEROKEE (WK)

SERIES LINE
H = HIGHLINE T = JEEP - 2WD
P = PREMIUM J = JEEP - 4WD
S = SPORT U = JEEP - 4WD (RHD)

BODY
74 = SPORT UTILITY 4-DR
TYPE #4

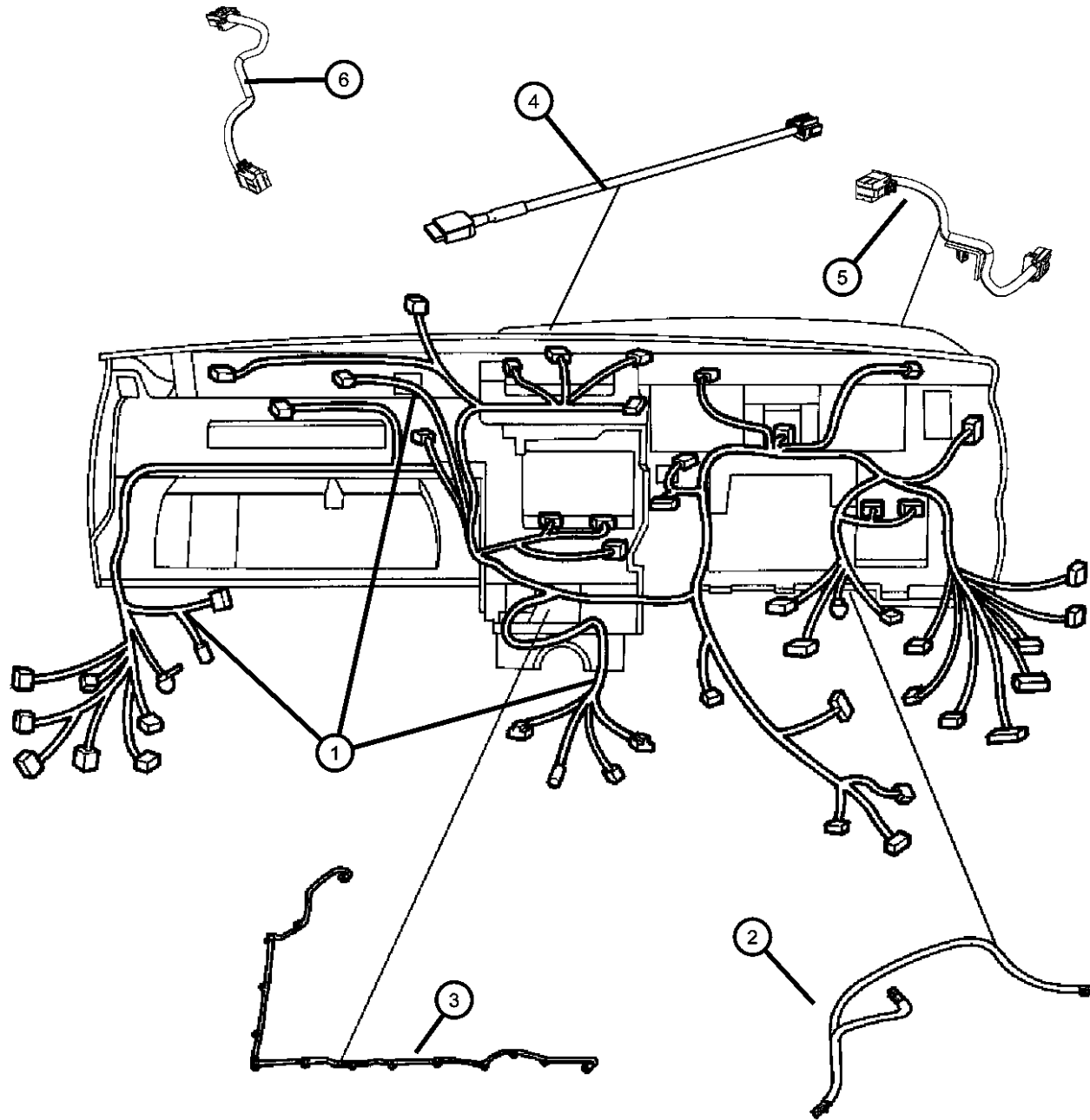
ENGINE
ERB = 3.XL Mid V6 Engine
EZH = 5.7L V8 HEMI MDS
VVT Engine
EXF = 3.0L V6 Turbo Diesel
Engine

TRANSMISSION
DGQ = 5-Speed Automatic 545RFE
Transmission
DGJ = 5-Speed Auto W5A580
Transmission

AR = use ase required - = Non illustrated part

2011 WK

Wiring Instrument Panel
Figure 8-1405



ITEM	PART NUMBER	QTY	LINE	SERIES	BODY	ENGINE	TRANS	TRIM	DESCRIPTION
	68054505AH	1	J, T, U		74				[GN5]
	68079097AC	1	J, T, U		74				[JHC]
	68079155AC	1	J, T, U		74				[JHC,GN5]
4	68084821AB	1	J, T, U		74				WIRING, Jumper, IPOD, [RST]
5	68049581AF	1	J, T, U		74				WIRING, Jumper, Instrument Panel [CXE]
	68068279AA	1	U		74	ER0, EZ0			
		1	U		74	EXF			
6	68068278AA	1	J, T		74	ER0, EZ0			WIRING, Module Jumper

GRAND CHEROKEE (WK)

SERIES LINE
H = HIGHLINE T = JEEP - 2WD
P = PREMIUM J = JEEP - 4WD
S = SPORT U = JEEP - 4WD (RHD)

BODY
74 = SPORT UTILITY 4-DR
TYPE #4

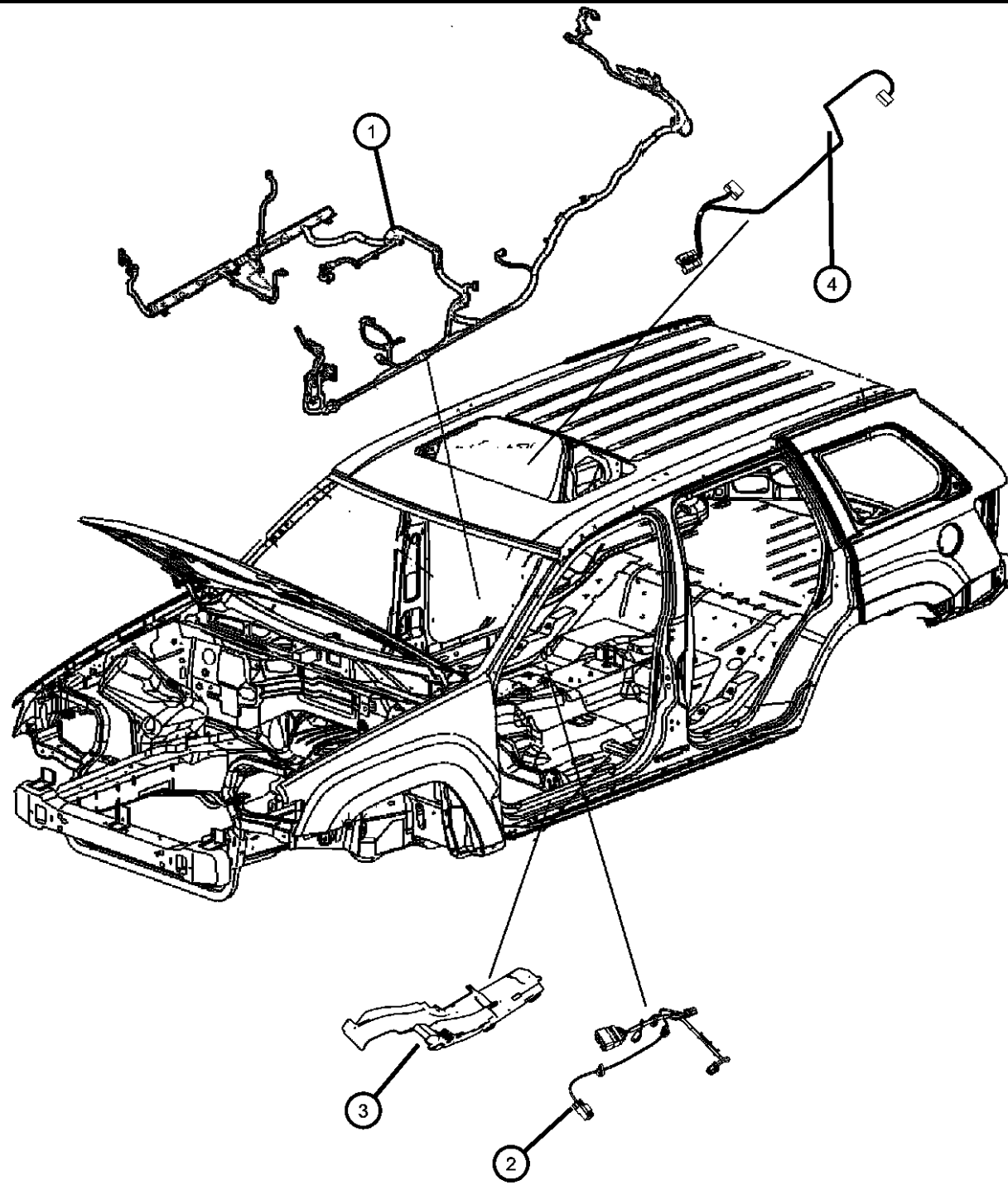
ENGINE
ERB = 3.0L Mid V6 Engine
EZH = 5.7L V8 HEMI MDS
VVT Engine
EXF = 3.0L V6 Turbo Diesel
Engine

TRANSMISSION
DGQ = 5-Spd Automatic 545RFE
Transmission
DGJ = 5-Speed Auto W5A580
Transmission

AR = use ase required - = Non illustrated part

2011 WK

Wiring Body
Figure 8-1505



ITEM	PART NUMBER	QTY	LINE	SERIES	BODY	ENGINE	TRANS	TRIM	DESCRIPTION
1									WIRING, Body
	55000831AB	1	J		74	EXF			[RCG], [DSF]
	55000834AB	1	J		74	EXF			[RCG], [DSF], [SER]
	55000835AB	1	J		74	EXF			[RC3]
	55000838AB	1	J		74	EXF			[RC3], [SER]
	55000839AB	1	J		74	EXF			[RC3], [DSF]
	55000856AB	1	J		74	EXF			[RC3], [DFS], [SER]
	55000858AB	1	J		74	EXF			[RC3], [JRC]
	55000860AB	1	J		74	EXF			[RC3], [JRC], [SER]
	55000868AB	1	J		74	EXF			[RC3], [JRC], [DSF]
	55000869AB	1	J		74	EXF			[RC3], [JRC], [DSF], [SER]
	55000874AB	1	U		74	EXF			[RCG]
	55000875AB	1	U		74	EXF			[RCG], [SER]
	55000829AB	1	J		74	EXF			[RCG]
	55000830AB	1	J		74	EXF			[RCG], [SER]
	55000878AB	1	U		74	EXF			[RCG], [DSF]
	55000879AB	1	U		74	EXF			[RCG], [DSF], [SER]
	55000882AB	1	U		74	EXF			[RC3]
	55000883AB	1	U		74	EXF			[RC3], [SER]
	55000884AB	1	U		74	EXF			[RC3], [DSF]
	55000885AB	1	U		74	EXF			[RC3], [DSF], [SER]
	55000887AB	1	U		74	EXF			[RC3], [JRC]
	55000892AB	1	U		74	EXF			[RC3], [JRC], [SER]
	55000893AB	1	U		74	EXF			[RC3], [JRC], [DSF]
	55000896AB	1	U		74	EXF			[RC3], [JRC], [DSF], [SER]
	68081263AB	1	J, T		74				[RCG] Up to 7/26/10
	68081263AE	1	J, T		74				[RCG] After 7/26/10
	68081264AD	1	J, T		74				[RCG], [DKA] Up to 7/26/10
	68081264AE	1	J, T		74				[RCG], [DKA] After 7/26/10
	68081265AB	1	J, T		74				[AHT] Or [AHX], [RCG]
	68081266AD	1	J, T		74				[AHT] Or [AHX], [RCG], [DKA] Up to 7/26/10
	68081266AE	1	J, T		74				[AHT] Or [AHX], [RCG], [DKA] After 7/26/10
	68081267AD	1	J, T		74				[RC3] Up to 7/26/10
	68081267AE	1	J, T		74				[RC3] After 7/26/10

GRAND CHEROKEE (WK)

SERIES LINE
H = HIGHLINE T = JEEP - 2WD
P = PREMIUM J = JEEP - 4WD
S = SPORT U = JEEP - 4WD (RHD)

BODY
74 = SPORT UTILITY 4-DR TYPE #4

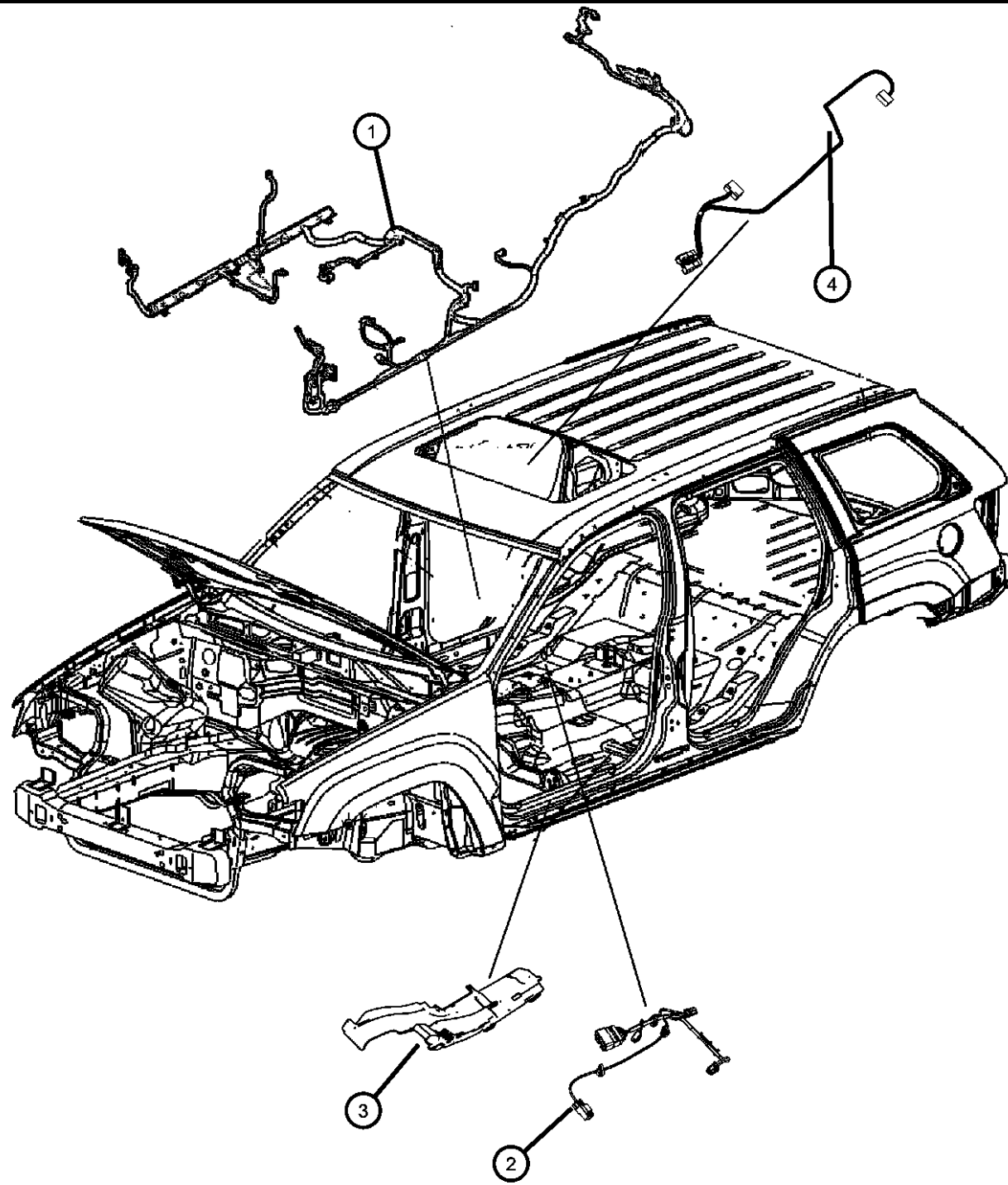
ENGINE
ERB = 3.0L V6 Engine
EZH = 5.7L V8 HEMI MDS VVT Engine
EXF = 3.0L V6 Turbo Diesel Engine

TRANSMISSION
DGQ = 5-Spd Automatic 545RFE Transmission
DGJ = 5-Speed Auto W5A580 Transmission

AR = use ase required - = Non illustrated part

2011 WK

Wiring Body
Figure 8-1505



ITEM	PART NUMBER	QTY	LINE	SERIES	BODY	ENGINE	TRANS	TRIM	DESCRIPTION
	68081268AD	1	J, T		74				[RC3], [DKA] Up to 7/26/10
	68081268AE	1	J, T		74				[RC3], [DKA] After 7/26/10
	68081269AD	1	J, T		74				[AHT] Or [AHX], [RC3] Up to 7/26/10
	68081269AE	1	J, T		74				[AHT] Or [AHX], [RC3] After 7/26/10
	68081270AD	1	J, T		74				[AHT] Or [AHX], [RC3], [DKA] Up to 7/26/10
	68081270AE	1	J, T		74				[AHT] Or [AHX], [RC3], [DKA] After 7/26/10
	68081271AD	1	J, T		74				[RC3], [JKJ] Up to 7/26/10
	68081271AE	1	J, T		74				[RC3], [JKJ] After 7/26/10
	68081272AD	1	J, T		74				[RC3], [JKJ], [DKA] Up to 7/26/10
	68081272AE	1	J, T		74				[RC3], [JKJ], [DKA] After 7/26/10
	68081274AD	1	J, T		74				[AHT] Or [AHX], [RC3], [JKJ] Up to 7/26/10
	68081274AE	1	J, T		74				[AHT] Or [AHX], [RC3], [JKJ] After 7/26/10
	68081275AD	1	J, T		74				[AHT] Or [AHX], [RC3], [JKJ], [DKA] Up to 7/26/10
	68081275AE	1	J, T		74				[AHT] Or [AHX], [RC3], [JKJ], [DKA] After 7/26/10
	68081276AD	1	J, T		74				[RC3], [JKJ], [JRC] Up to 7/26/10
	68081276AE	1	J, T		74				[RC3], [JKJ], [JRC] After 7/26/10
	68081277AD	1	J, T		74				[RC3], [JKJ], [JRC], [DKA] Up to 7/26/10
	68081277AE	1	J, T		74				[RC3], [JKJ], [JRC], [DKA] After 7/26/10
	68081278AD	1	J, T		74				[AHT] Or [AHX], [RC3], [JKJ], [JRC] Up to 7/26/10
	68081278AE	1	J, T		74				[AHT] Or [AHX], [RC3], [JKJ], [JRC] After 7/26/10
	68081279AD	1	J, T		74				[AHT] Or [AHX], [RC3], [JKJ], [JRC], [DKA] Up to 7/26/10
	68081279AE	1	J, T		74				[AHT] Or [AHX], [RC3], [JKJ], [JRC], [DKA] After 7/26/10
	68081280AD	1	J, T		74				[RC3], [JKJ], [JRC], [XAN] Up to 7/26/10
	68081280AE	1	J, T		74				[RC3], [JKJ], [JRC], [XAN] After 7/26/10
	68081281AD	1	J, T		74				[RC3], [JKJ], [JRC], [XAN], [DKA] Up to 7/26/10
	68081281AE	1	J, T		74				[RC3], [JKJ], [JRC], [XAN], [DKA] After 7/26/10

GRAND CHEROKEE (WK)

SERIES LINE
H = HIGHLINE T = JEEP - 2WD
P = PREMIUM J = JEEP - 4WD
S = SPORT U = JEEP - 4WD (RHD)

BODY
74 = SPORT UTILITY 4-DR TYPE #4

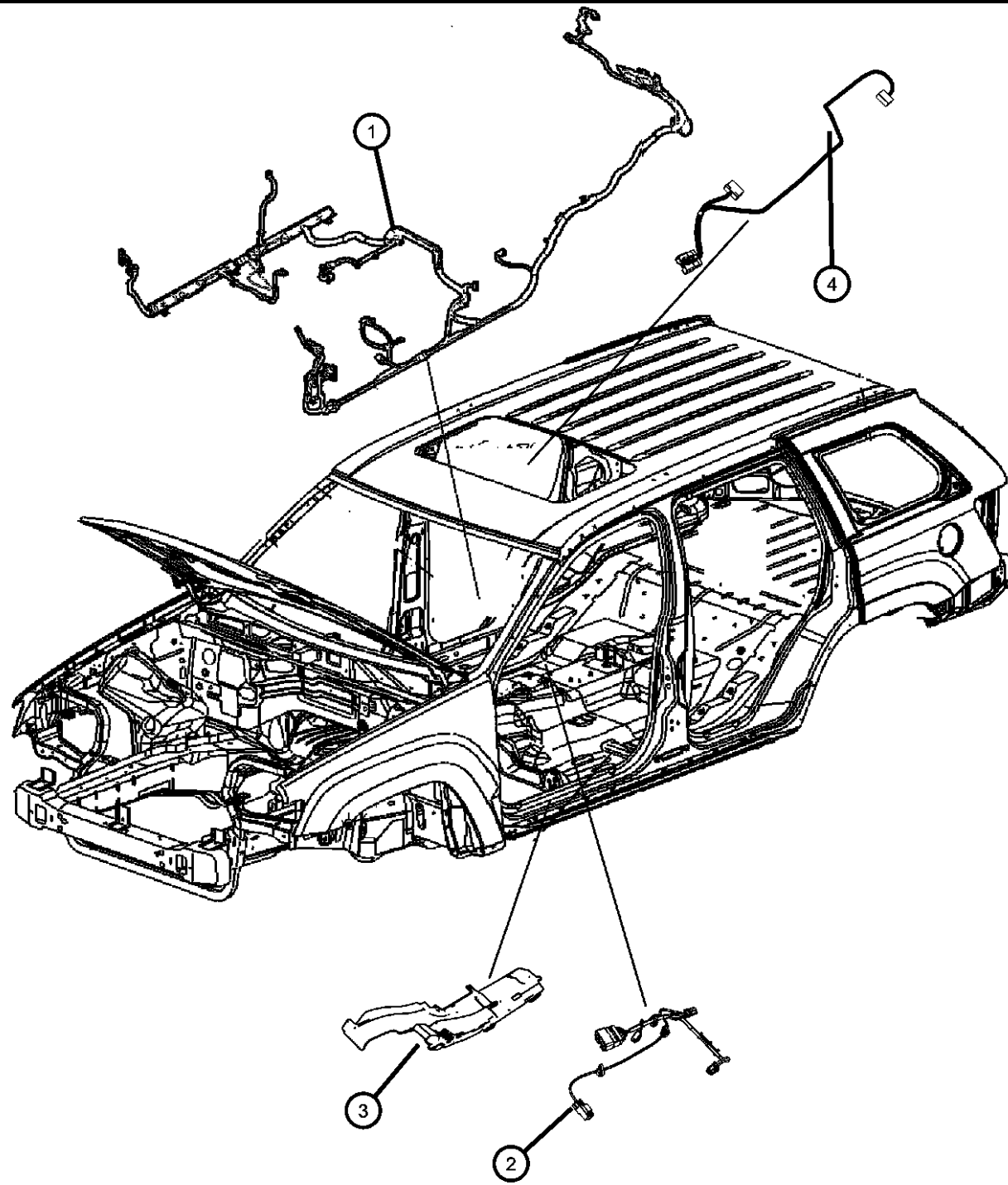
ENGINE
ERB = 3.0L Mid V6 Engine
EZH = 5.7L V8 HEMI MDS VVT Engine
EXF = 3.0L V6 Turbo Diesel Engine

TRANSMISSION
DGQ = 5-Spd Automatic 545RFE Transmission
DGJ = 5-Speed Auto W5A580 Transmission

AR = use ase required - = Non illustrated part

2011 WK

Wiring Body
Figure 8-1505



ITEM	PART NUMBER	QTY	LINE	SERIES	BODY	ENGINE	TRANS	TRIM	DESCRIPTION
	68081282AD	1	J, T		74				[AHT] Or [AHX], [RC3], [JKJ], [JRC], [XAN] Up to 7/26/10
	68081282AE	1	J, T		74				[AHT] Or [AHX], [RC3], [JKJ], [JRC], [XAN] After 7/26/10
	68081283AD	1	J, T		74				[AHT] Or [AHX], [RC3], [JKJ], [JRC], [XAN], [DKA] Up to 7/26/10
	68081283AE	1	J, T		74				[AHT] Or [AHX], [RC3], [JKJ], [JRC], [XAN], [DKA] After 7/26/10
	68081284AD	1	J, T		74				[AHT] Or [AHX], [RC3], [SER] Up to 7/26/10
	68081287AE	1	J, T		74				[AHT] Or [AHX], [RC3], [SER], [JKJ] After 7/26/10
	68081288AD	1	J, T		74				[AHT] Or [AHX], [RC3], [SER], [JKJ], [JRC] Up to 7/26/10
	68081288AE	1	J, T		74				[AHT] Or [AHX], [RC3], [SER], [JKJ], [JRC] After 7/26/10
	68081289AD	1	J, T		74				[AHT] Or [AHX], [RC3], [SER], [JKJ], [JRC], [XAN] Up to 7/26/10
	68081289AE	1	J, T		74				[AHT] Or [AHX], [RC3], [SER], [JKJ], [JRC], [XAN] After 7/26/10
	68081290AE	1	J, T		74				[AHT] Or [AHX], [RC3], [SER], [DSF] After 7/26/10
	68081291AD	1	J, T		74				[AHT] Or [AHX], [RC3], [SER], [DSF], [JKJ] Up to 7/26/10
	68081291AE	1	J, T		74				[AHT] Or [AHX], [RC3], [SER], [DSF], [JKJ] After 7/26/10
	68081293AD	1	J, T		74				[AHT] Or [AHX], [RC3], [SER], [DSF], [JKJ], [JRC], [XAN] Up to 7/26/10
	68081293AE	1	J, T		74				[AHT] Or [AHX], [RC3], [SER], [DSF], [JKJ], [JRC], [XAN] After 7/26/10
	68081294AD	1	J, T		74				[RC3], [RSV] Up to 7/26/10
	68081294AE	1	J, T		74				[RC3], [RSV] After 7/26/10
	68081295AD	1	J, T		74				[RC3], [RSV], [DKA] Up to 7/26/10
	68081295AE	1	J, T		74				[RC3], [RSV], [DKA] After 7/26/10
	68081296AD	1	J, T		74				[AHT] Or [AHX], [RC3], [RSV] Up to 7/26/10
	68081296AE	1	J, T		74				[AHT] Or [AHX], [RC3], [RSV] After 7/26/10
	68081297AD	1	J, T		74				[AHT] Or [AHX], [RC3], [RSV], [DKA] Up to 7/26/10
	68081297AE	1	J, T		74				[AHT] Or [AHX], [RC3], [RSV], [DKA] After 7/26/10

GRAND CHEROKEE (WK)

SERIES LINE
H = HIGHLINE T = JEEP - 2WD
P = PREMIUM J = JEEP - 4WD
S = SPORT U = JEEP - 4WD (RHD)

BODY
74 = SPORT UTILITY 4-DR
TYPE #4

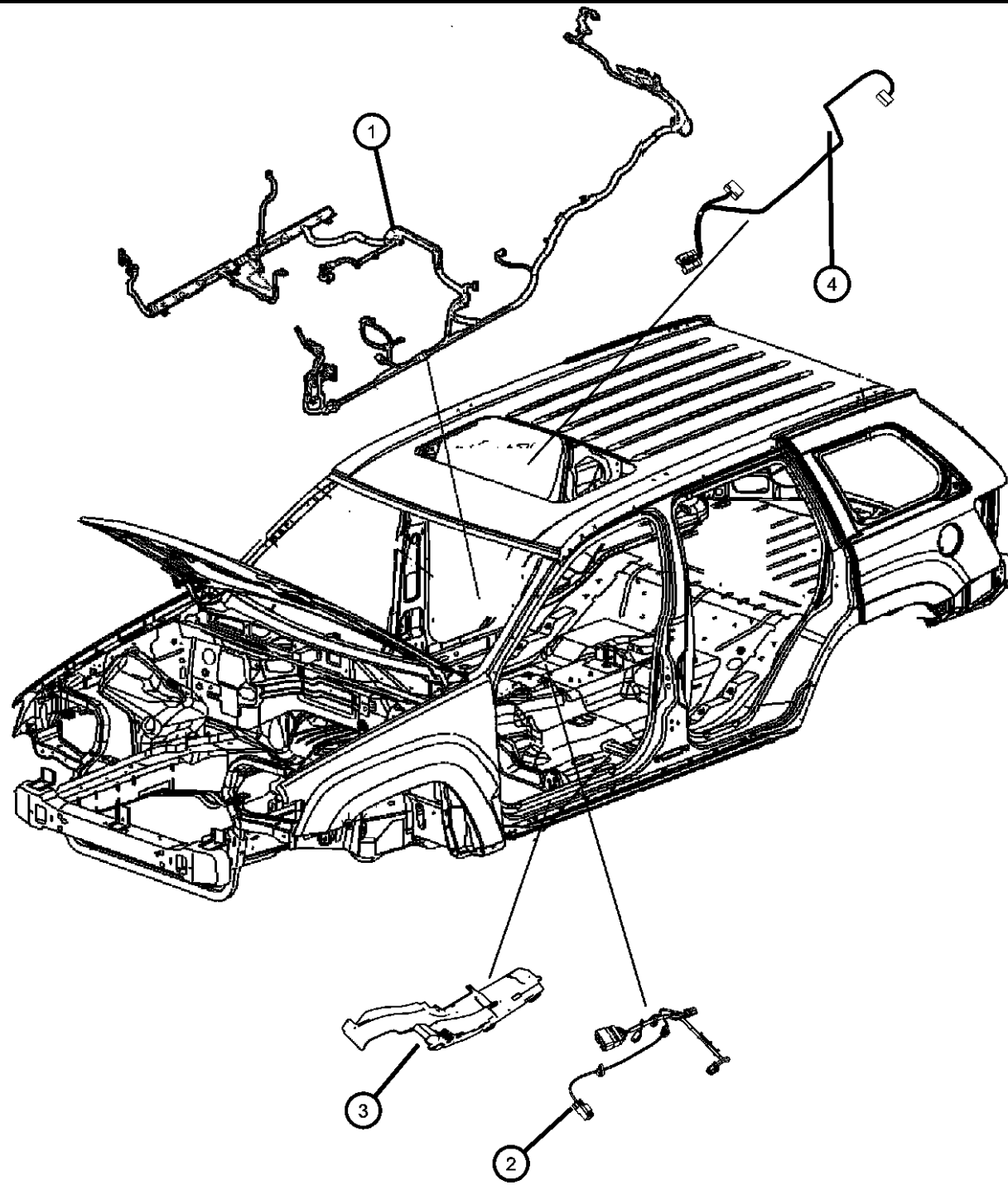
ENGINE
ERB = 3.XL Mid V6 Engine
EZH = 5.7L V8 HEMI MDS
VVT Engine
EXF = 3.0L V6 Turbo Diesel
Engine

TRANSMISSION
DGQ = 5-Spd Automatic 545RFE
Transmission
DGJ = 5-Speed Auto W5A580
Transmission

AR = use ase required - = Non illustrated part

2011 WK

Wiring Body
Figure 8-1505



ITEM	PART NUMBER	QTY	LINE	SERIES	BODY	ENGINE	TRANS	TRIM	DESCRIPTION
	68081298AD	1	J, T		74				[RC3], [RSV], [JRC] Up to 7/26/10
	68081298AE	1	J, T		74				[RC3], [RSV], [JRC] After 7/26/10
	68081299AD	1	J, T		74				[RC3], [RSV], [JRC], [DKA] Up to 7/26/10
	68081299AE	1	J, T		74				[RC3], [RSV], [JRC], [DKA] After 7/26/10
	68081300AD	1	J, T		74				[AHT] Or [AHX], [RC3], [RSV], [JRC] Up to 7/26/10
	68081300AE	1	J, T		74				[AHT] Or [AHX], [RC3], [RSV], [JRC] After 7/26/10
	68081301AD	1	J, T		74				[AHT] Or [AHX], [RC3], [RSV], [JRC], [DKA] Up to 7/26/10
	68081301AE	1	J, T		74				[AHT] Or [AHX], [RC3], [RSV], [JRC], [DKA] After 7/26/10
	68081302AD	1	J, T		74				[RC3], [RSV], [JRC], [XAN] Up to 7/26/10
	68081302AE	1	J, T		74				[RC3], [RSV], [JRC], [XAN] After 7/26/10
	68081303AD	1	J, T		74				[RC3], [RSV], [JRC], [XAN], [DKA] Up to 7/26/10
	68081303AE	1	J, T		74				[RC3], [RSV], [JRC], [XAN], [DKA] After 7/26/10
	68081304AD	1	J, T		74				[AHT] Or [AHX], [RC3], [RSV], [JRC], [XAN] Up to 7/26/10
	68081304AE	1	J, T		74				[AHT] Or [AHX], [RC3], [RSV], [JRC], [XAN] After 7/26/10
	68081305AD	1	J, T		74				[AHT] Or [AHX], [RC3], [RSV], [JRC], [DKA], [XAM] Up to 7/26/10
	68081305AE	1	J, T		74				[AHT] Or [AHX], [RC3], [RSV], [JRC], [DKA], [XAM] After 7/26/10
	68081306AD	1	J, T		74				[AHT] Or [AHX], [RC3], [RSV], [SER] Up to 7/26/10
	68081306AE	1	J, T		74				[AHT] Or [AHX], [RC3], [RSV], [SER] After 7/26/10
	68081308AD	1	J, T		74				[AHT] Or [AHX], [RC3], [RSV], [SER], [JRC] Up to 7/26/10
	68081308AE	1	J, T		74				[AHT] Or [AHX], [RC3], [RSV], [SER], [JRC] After 7/26/10
	68081309AD	1	J, T		74				[AHT] Or [AHX], [RC3], [RSV], [SER], [JRC], [XAN] Up to 7/26/10
	68081309AE	1	J, T		74				[AHT] Or [AHX], [RC3], [RSV], [SER], [JRC], [XAN] After 7/26/10

GRAND CHEROKEE (WK)

SERIES LINE
H = HIGHLINE T = JEEP - 2WD
P = PREMIUM J = JEEP - 4WD
S = SPORT U = JEEP - 4WD (RHD)

BODY
74 = SPORT UTILITY 4-DR
TYPE #4

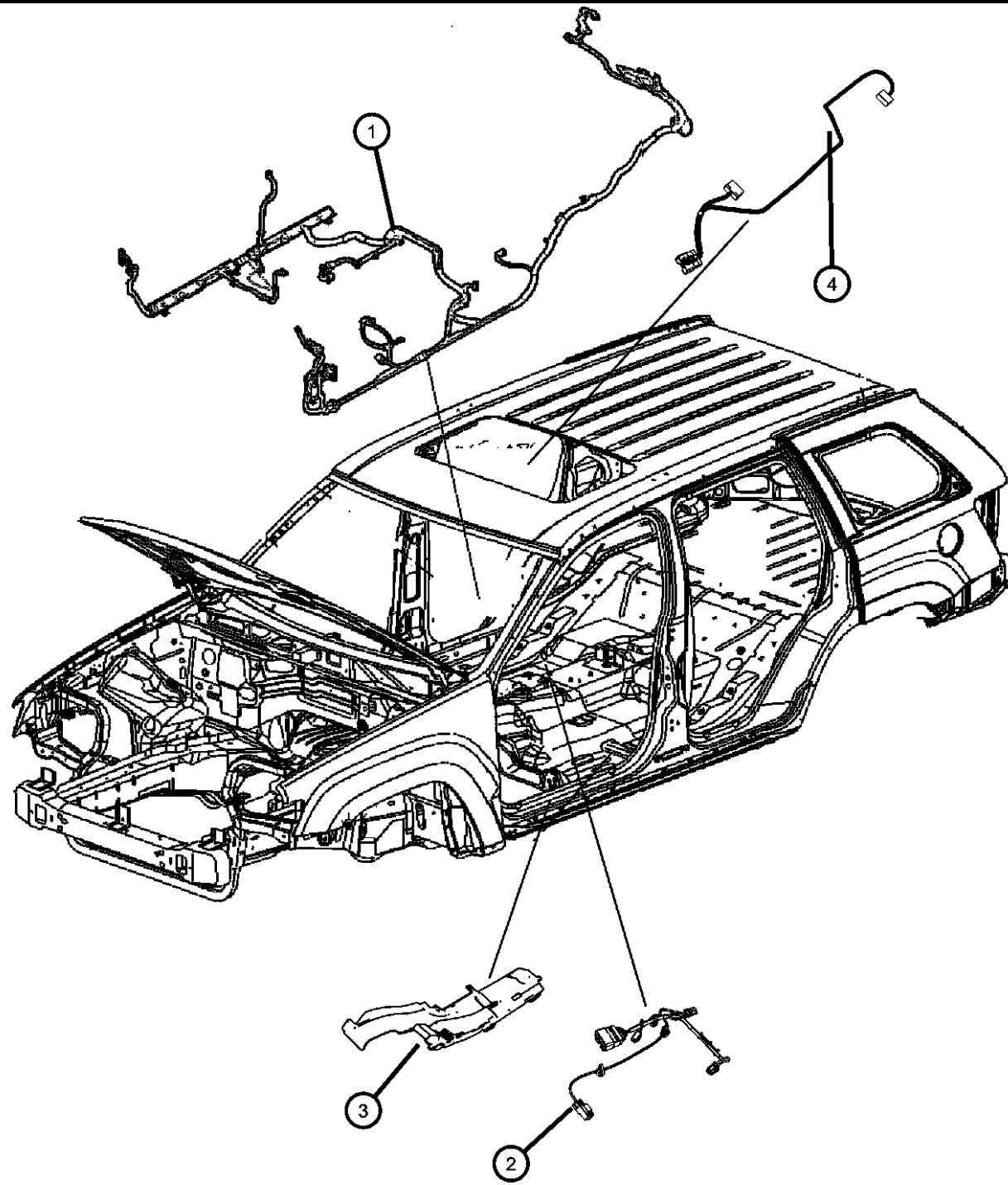
ENGINE
ERB = 3.XL Mid V6 Engine
EZH = 5.7L V8 HEMI MDS
VVT Engine
EXF = 3.0L V6 Turbo Diesel
Engine

TRANSMISSION
DGQ = 5-Spd Automatic 545RFE
Transmission
DGJ = 5-Speed Auto W5A580
Transmission

AR = use ase required - = Non illustrated part

2011 WK

Wiring Body
Figure 8-1505



ITEM	PART NUMBER	QTY	LINE	SERIES	BODY	ENGINE	TRANS	TRIM	DESCRIPTION
	68081310AD	1	J, T		74				[AHT] Or [AHX], [RC3], [RSV], [SER], [DSF] Up to 7/26/10
	68081310AE	1	J, T		74				[AHT] Or [AHX], [RC3], [RSV], [SER], [DSF] After 7/26/10
	68081311AD	1	J, T		74				[AHT] Or [AHX], [RC3], [RSV], [SER], [DSF]. [JRC] Up to 7/26/10
	68081311AE	1	J, T		74				[AHT] Or [AHX], [RC3], [RSV], [SER], [DSF], [JRC] After 7/26/10
	68081312AD	1	J, T		74				[AHT] Or [AHX], [RSV], [SER], [DSF], [JRC], [XAN] Up to 7/26/10
	68081312AE	1	J, T		74				[AHT] Or [AHX], [RSV], [SER], [DSF], [JRC], [XAN] After 7/26/10
	68081314AD	1	J		74				[RCG] Up to 7/26/10, Export
	68081314AF	1	J		74	ERB, EZH			[RCG], Export
	68081315AD	1	J		74				[RCG], [SER] Up to 7/26/10, Export
	68081315AF	1	J		74	ERB, EZH			[RCG], [SER], Export
	68081317AD	1	J		74				[DSF], [RCG] Up to 07/26/10, Export
	68081317AF	1	J		74	ERB, EZH			[DSF], [RCG], Export
	68081318AD	1	J		74				[DSF], [RCG], [SER] Up to 07/26/10, Export
	68081318AF	1	J		74	ERB, EZH			[DSF], [RCG], [SER], Export
	68081320AD	1	J		74				[RC3] Up to 07/26/10, Export
	68081320AF	1	J		74	ERB, EZH			[RC3], Export
	68081321AD	1	J		74				[RC3], [SER] Up to 07/26/10, Export
	68081321AF	1	J		74	ERB, EZH			[RC3], [SER], Export
	68081323AD	1	J		74				[DSF], [RC3] Up to 07/26/10, Export
	68081323AF	1	J		74	ERB, EZH			[DSF], [RC3], Export
	68081324AD	1	J		74				[DSF], [RC3], [SER] Up to 07/26/10, Export
	68081324AF	1	J		74	ERB, EZH			[DSF], [RC3], [SER], Export
	68081326AD	1	J		74				[RC3], [JRC] Up to 07/26/10, Export
	68081326AF	1	J		74	ERB, EZH			[RC3], [JRC], Export
	68081327AD	1	J		74				[RC3], [JRC], [SER] Up to 07/26/10, Export
	68081327AF	1	J		74	ERB, EZH			[RC3], [JRC], [SER], Export

GRAND CHEROKEE (WK)

SERIES LINE
H = HIGHLINE T = JEEP - 2WD
P = PREMIUM J = JEEP - 4WD
S = SPORT U = JEEP - 4WD (RHD)

BODY
74 = SPORT UTILITY 4-DR
TYPE #4

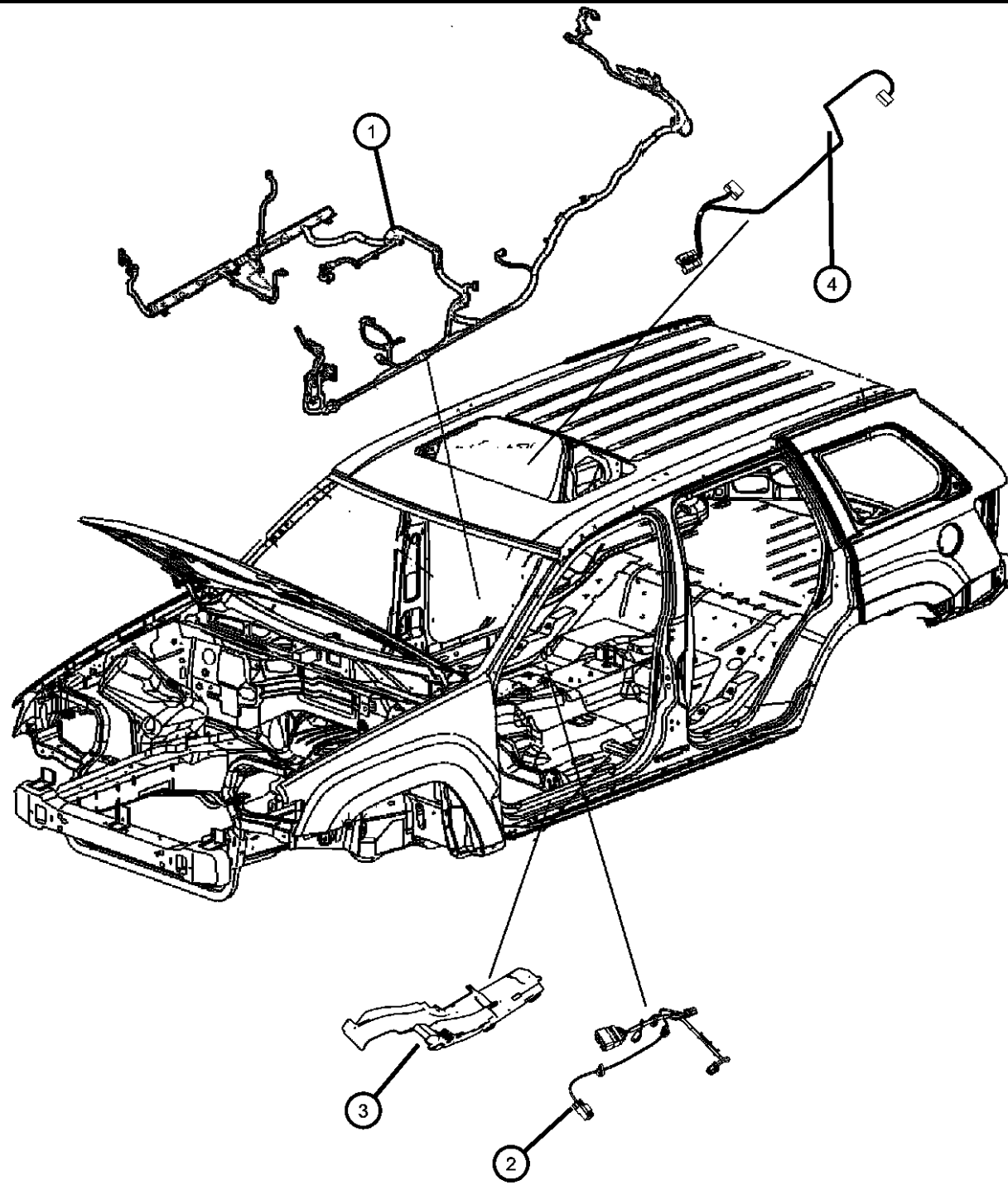
ENGINE
ERB = 3.XL Mid V6 Engine
EZH = 5.7L V8 HEMI MDS
VVT Engine
EXF = 3.0L V6 Turbo Diesel
Engine

TRANSMISSION
DGQ = 5-Spd Automatic 545RFE
Transmission
DGJ = 5-Speed Auto W5A580
Transmission

AR = use ase required - = Non illustrated part

2011 WK

Wiring Body
Figure 8-1505



ITEM	PART NUMBER	QTY	LINE	SERIES	BODY	ENGINE	TRANS	TRIM	DESCRIPTION
	68081329AD	1	J		74				[DSF], [RC3], [JRC] Up to 07/26/10, Export
	68081329AF	1	J		74	ERB, EZH			[DSF], [RC3], [JRC], Export
	68081330AD	1	J		74				[DSF], [RC3], [JRC], [SER] Up to 07/26/10, Export
	68081330AF	1	J		74	ERB, EZH			[DSF], [RC3], [JRC], [SER], Export
	68081332AC	1	U		74				[RCG] Up to 07/26/10
	68081332AF	1	U		74	ERB, EZH			[RCG], Export
	68081337AC	1	U		74				[RCG], [SER] Up to 07/26/10
	68081337AF	1	U		74	EZH, ERB			[RCG], [SER]
	68081339AC	1	U		74				[RCG], [DSF] Up to 07/26/10
	68081339AF	1	U		74	ERB, EZH			[DSF], [RCG]
	68081340AC	1	U		74				[RCG], [DSF], [SER] Up to 07/26/10
	68081340AF	1	U		74	ERB, EZH			[DSF], [RCG], [SER]
	68081342AC	1	U		74				[RC3] Up to 07/26/10, Export
	68081342AF	1	U		74	ERB, EZH			[RC3], Export
	68081343AF	1	U		74	ERB, EZH			[RC3], [SER]
	68081345AB	1	U		74				[DSF], [RC3] Up to 7/26/10, Export
	68081345AC	1	U		74				[DSF], [RC3] Up to 07/26/10, Export
	68081345AF	1	U		74	ERB, EZH			[DSF], [RC3], Export
	68081346AC	1	U		74				[DSF], [RC3], [SER] Up to 07/26/10, Export
	68081346AF	1	U		74	ERB, EZH			[DSF], [RC3], [SER], Export
	68081348AF	1	U		74	ERB, EZH			[RC3], [JRC], Export
	68081349AF	1	U		74	ERB, EZH			[RC3], [JRC], [SER]
	68081353AF	1	U		74	ERB, EZH			[DSF], [RC3], [JRC], Export
	68081354AF	1	U		74	ERB, EZH			[DSF], [RC3], [JRC], [SER], Export
	68081284AE	1	J, T		74				[AHT] Or [AHX], [RC3], [SER] After 7/26/10
	68081287AD	1	J, T		74				[AHT] Or [AHX], [RC3], [SER], [JKJ] Up to 7/26/10
	68081292AD	1	J, T		74				[AHT] Or [AHX], [RC3], [SER], [DSF], [JKJ], [JRC] Up to 7/26/10
	68081292AE	1	J, T		74				[AHT] Or [AHX], [RC3], [SER], [DSF], [JKJ], [JRC] After 7/26/10

2

WIRING, Console

GRAND CHEROKEE (WK)

SERIES LINE
H = HIGHLINE T = JEEP - 2WD
P = PREMIUM J = JEEP - 4WD
S = SPORT U = JEEP - 4WD (RHD)

BODY
74 = SPORT UTILITY 4-DR TYPE #4

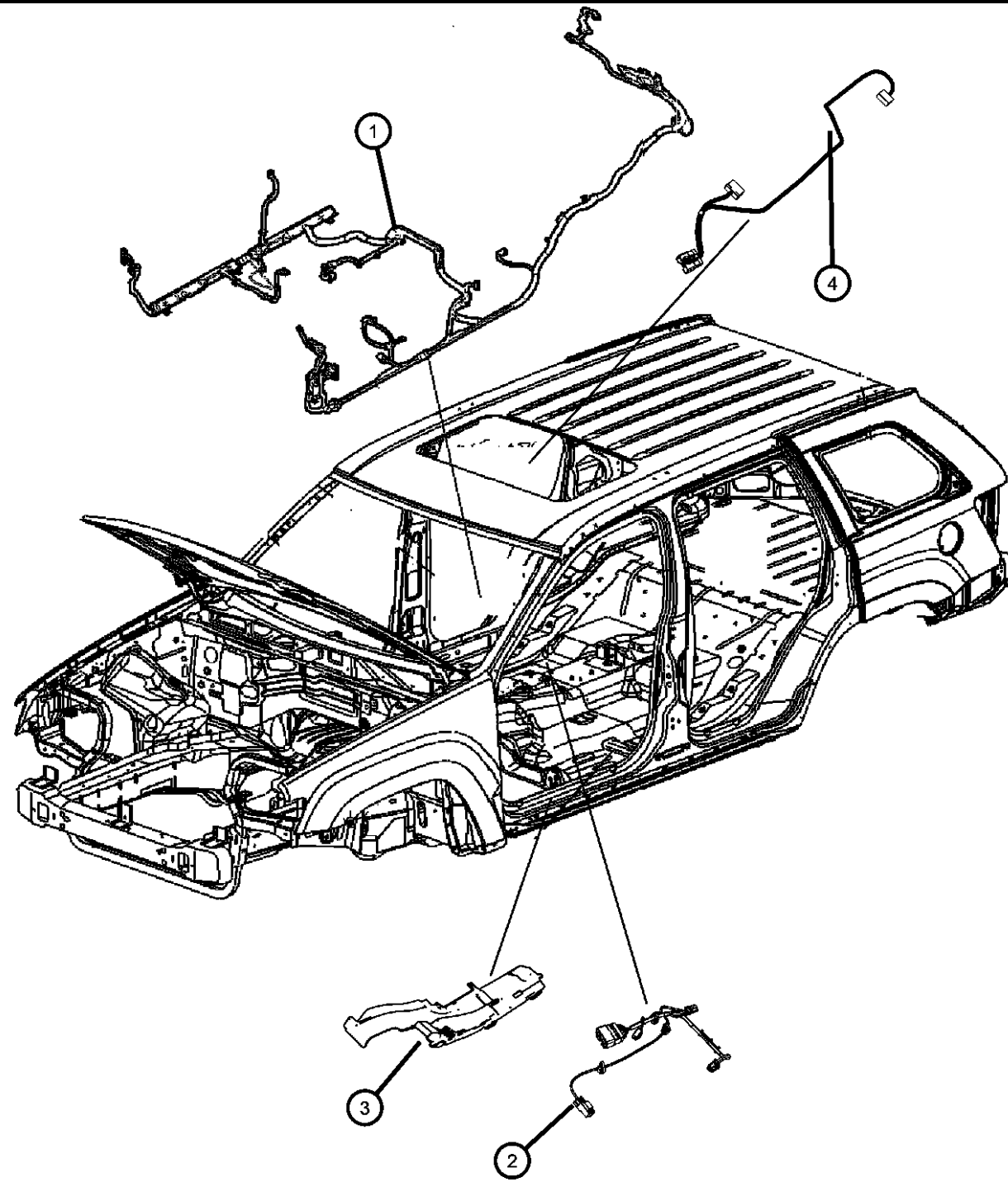
ENGINE
ERB = 3.XL Mid V6 Engine
EZH = 5.7L V8 HEMI MDS VVT Engine
EXF = 3.0L V6 Turbo Diesel Engine

TRANSMISSION
DGQ = 5-Spd Automatic 545RFE Transmission
DGJ = 5-Speed Auto W5A580 Transmission

AR = use ase required - = Non illustrated part

2011 WK

Wiring Body
Figure 8-1505



ITEM	PART NUMBER	QTY	LINE	SERIES	BODY	ENGINE	TRANS	TRIM	DESCRIPTION
	68086071AA	1	J	H	74				[DHY], [JKV], [RSP]
		1	T	P	74				[JKV], [JPZ], [RSP], [XRV], Front
		1	T	S	74				[JKV], [JPZ], [RER], [RSP], [XRV], Front
	68086075AA	1	J	P	74				[DKA], [JKV], [JPZ], [RSP], [XRV]
		1	T	S	74				[JKV], [JPZ], [RER], [RSP], [XRV], Rear
	68086079AA	1	J	P	74				[DKA], [JKV], [JPZ], [RER], [RSP], Rear
		1	J	S	74				[DKA], [JKV], [JPZ], [RER], [RSP]
		1	T	P	74				[JKV], [JPZ], [RER], [RSP]
	68085973AA	1	T	H	74				
		1	J	H	74				
		1	T	H	74				[JKV], [RSP]
	68086094AA	1	J	P	74				[DKA], [JPZ], [RSQ]
		1	U	S	74				[DKA], [JPZ], [RSQ], [REW], [REP], [RB2]
		1	J	S	74				[DKA], [JPZ], [RSQ], [REW,REP], [RB2]
		1	T	P	74				[JKV], [JPZ], [RSP], [XRV], Rear
		1	J	S	74				[DKA], [JKV], [JPZ], [RSP], [RER], [XRV]
	68086077AA	1	J	H	74				[DKA]
		1	J	P	74				[DKA], [JKV], [JPZ], [RER], [RSP], Front
		1	J	S	74				[DKA], [JKV], [JPZ], [RER], [RSP], [XRV]
		1	T	S	74				[JKV], [JPZ], [RER], [RSP]
		1	U	P	74				[DKA], [JPZ], [RSQ], Rear
	68086096AA	1	U	P	74				[DKA], [JPZ], [RSQ], Front
		1	U	S	74				[DKA], [JPZ], [RSQ], [REW]
3									TROUGH, Wiring
	05057767AA	1	J, T, U		74				Left
	05057766AA	1	J, T, U		74				Right
4									WIRING, Sunroof
	68081055AA	1	J, T, U		74				[GWJ]
	68082480AA	1	J, T, U		74				[GWA]

GRAND CHEROKEE (WK)

SERIES LINE
H = HIGHLINE T = JEEP - 2WD
P = PREMIUM J = JEEP - 4WD
S = SPORT U = JEEP - 4WD (RHD)

BODY
74 = SPORT UTILITY 4-DR
TYPE #4

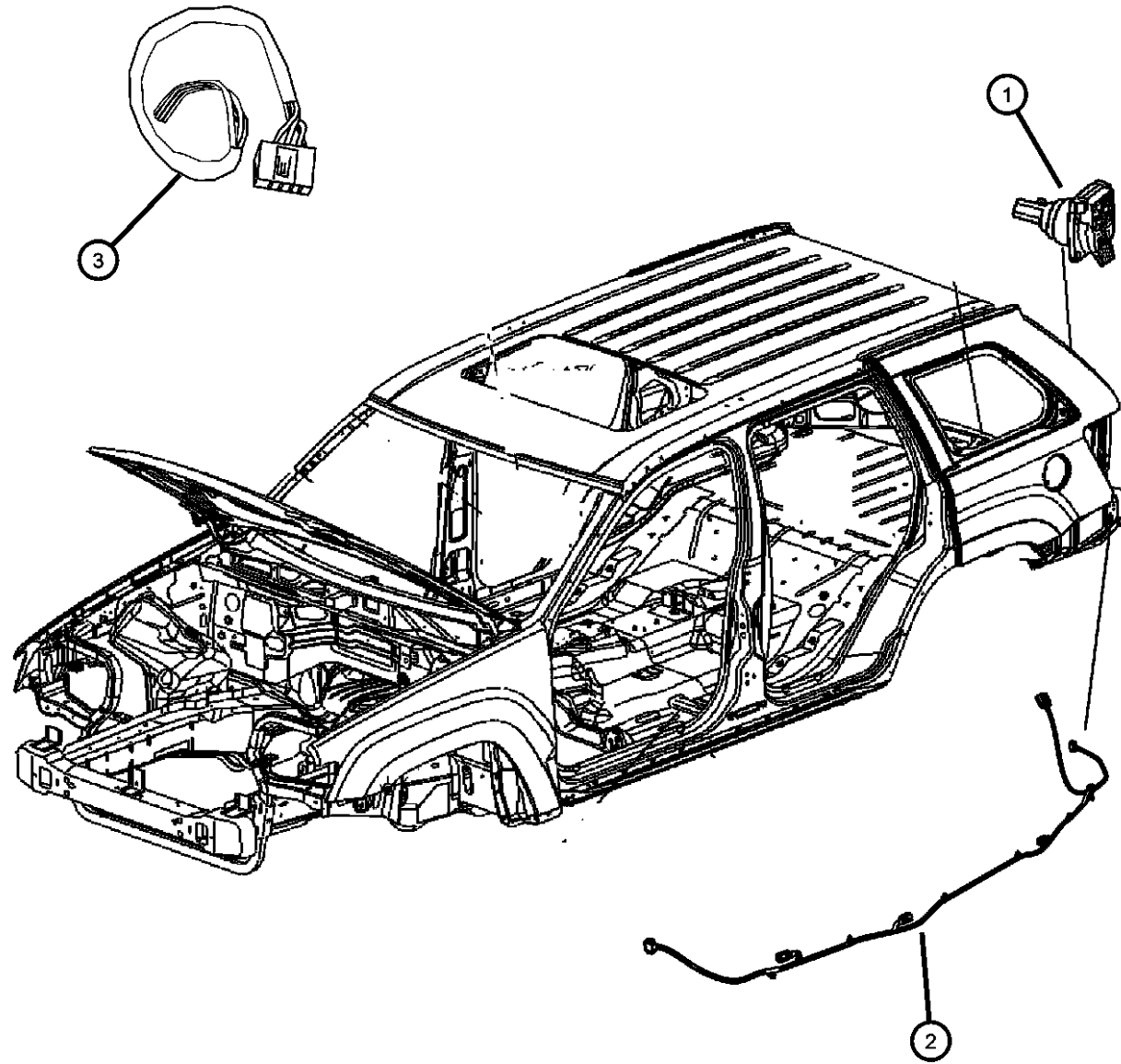
ENGINE
ERB = 3.0L Mid V6 Engine
EZH = 5.7L V8 HEMI MDS
VVT Engine
EXF = 3.0L V6 Turbo Diesel
Engine

TRANSMISSION
DGQ = 5-Spd Automatic 545RFE
Transmission
DGJ = 5-Speed Auto W5A580
Transmission

AR = use ase required - = Non illustrated part

2011 WK

**Wiring Chasis and Underbody
Figure 8-1510**



ITEM	PART NUMBER	QTY	LINE	SERIES	BODY	ENGINE	TRANS	TRIM	DESCRIPTION
1	56055632AC	1	J, T		74				CONNECTOR, 7 Way
2	68078324AA	1	J, T, U		74	ERB, EXL			WIRING, Rear Fascia
	68085681AA	1	J, T, U		74	ERB, EX0			[AHT Or [AHX], [MCX], [XAA]
		1	J, T, U		74	EZ0			[AHT Or [AHX], [MCX], [XAA]
	68078322AA	1	J, T, U		74	ERB, EXL			[AHT] Or [AHX], [MCX], [XAA], [XAN]
		1	J, T, U		74	EZ0			[AHT] Or [AHX], [MCX], [XAA], [XAN]
	68078325AA	1	J, T, U		74	EZ0			[MCX], [XAG]
		1	J, T, U		74	EXF, EZH			[MCX], [XAG]
		1	J, T, U		74	EXF, EZH			
		1	J, T, U		74	ERB, EXL			[MCX], [XAG]
		1	J, T, U		74	EZ0			
3	68088278AA	1	J, T, U		74				WIRING KIT, Trailer Tow, [AHT], [AHX]

GRAND CHEROKEE (WK)

SERIES LINE
H = HIGHLINE T = JEEP - 2WD
P = PREMIUM J = JEEP - 4WD
S = SPORT U = JEEP - 4WD (RHD)

BODY
74 = SPORT UTILITY 4-DR TYPE #4

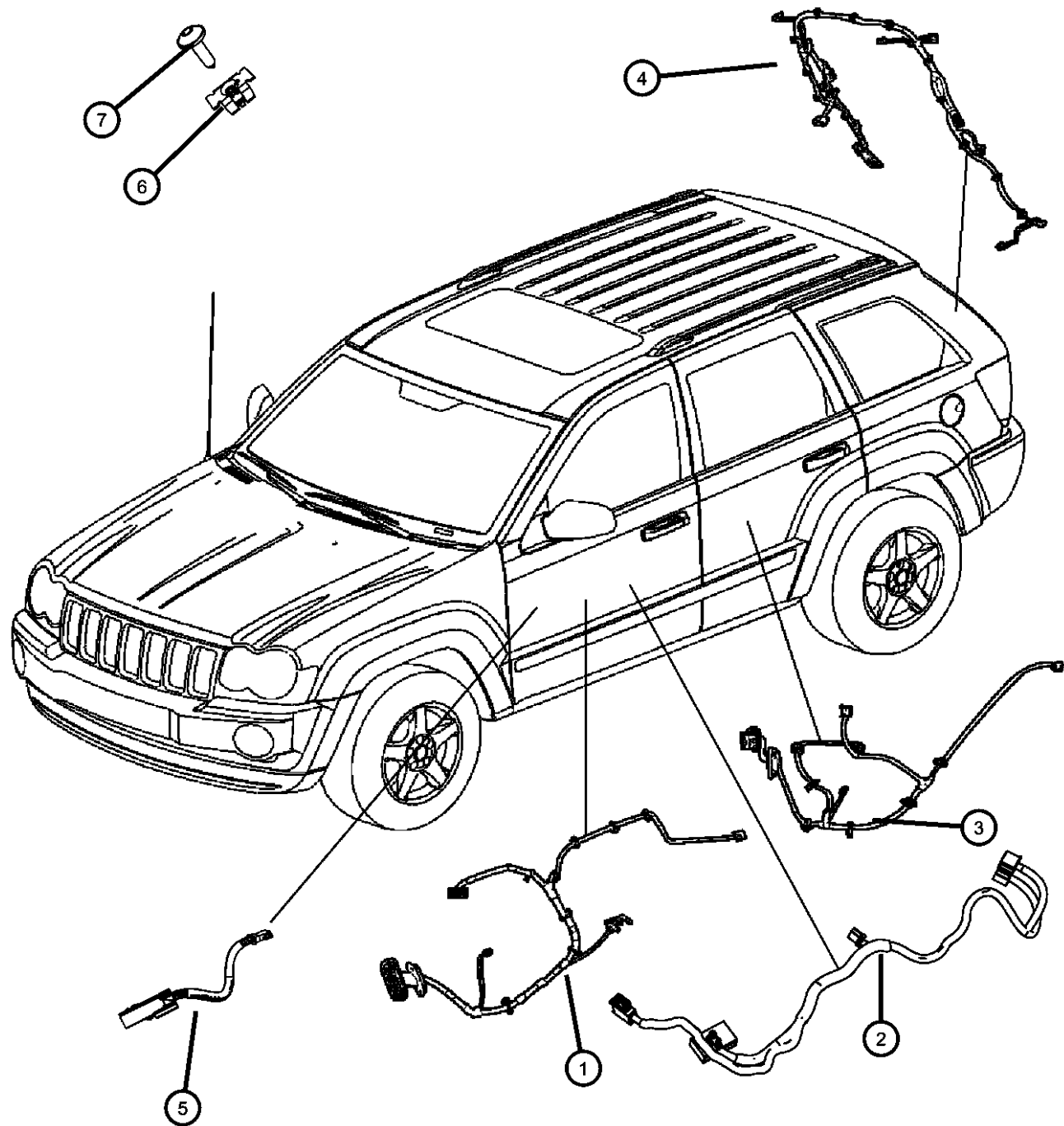
ENGINE
ERB = 3.0L Mid V6 Engine
EZH = 5.7L V8 HEMI MDS VVT Engine
EXF = 3.0L V6 Turbo Diesel Engine

TRANSMISSION
DGQ = 5-Spd Automatic 545RFE Transmission
DGJ = 5-Speed Auto W5A580 Transmission

AR = use ase required - = Non illustrated part

2011 WK

Wiring Door, Deck Lid, and Liftgate
Figure 8-1515



ITEM	PART NUMBER	QTY	LINE	SERIES	BODY	ENGINE	TRANS	TRIM	DESCRIPTION
1									WIRING, Front Door
	68049227AH	1	U		74				[RC3], [RCG], Left
	68049576AG	1	J, T, U		74				[GXD], Left
		1	J, T, U		74				[GXD], Right
	68022239AH	1	J, T		74				[RC3] Or [RCG], [GXD], Left
	68044240AH	1	J, T		74				[RC3] Or [RCG], [GXD], Right
	68049214AH	1	U		74				[RC3] Or [RCG], Right
	68049216AH	1	U		74				[RC3] Or [RCG], [GXD], [LS9], Right
	68049225AH	1	U		74				[RC3] Or [RCG], [GXD], [LS9], Left
2									WIRING, Door Jumper, to switches
	68080912AA	1	U		74				Right
	68080913AA	1	U		74				Left
		1	J, T		74				Left
		1	J, T		74				Right
3									WIRING, Rear Door
	68042758AG	1	J, T, U		74				[GXD], Right
	68044245AG	1	J, T, U		74				[GXD], Left
	68054431AG	1	U		74				[GXD], [LS9], Left
	68054432AG	1	U		74				[GXD], [LS9], Right
	68079087AB	1	U		74				[GX1], Left
	68079089AB	1	U		74				[GX1], Right
4									WIRING, Liftgate
	68022293AG	1	J, T, U		74				[JRC]
	68022294AG	1	J, T, U		74				
5	68057624AF	1	J, T, U		74				WIRING, Door Jumper, [RCG] Or [RC3], Front Door
6	06508845AA	2	J, T, U		74				NUT, Snap In, WIRING HARNESS GROMMETS TO DOORS
7	06104567AA	2	J, T, U		74				SCREW, Tapping, M4.2X1.4X16.00, WIRING HARNESS GROMMETS TO DOORS

GRAND CHEROKEE (WK)

SERIES LINE
 H = HIGHLINE T = JEEP - 2WD
 P = PREMIUM J = JEEP - 4WD
 S = SPORT U = JEEP - 4WD (RHD)

BODY
 74 = SPORT UTILITY 4-DR TYPE #4

ENGINE
 ERB = 3.0L Mid V6 Engine
 EZH = 5.7L V8 HEMI MDS VVT Engine
 EXF = 3.0L V6 Turbo Diesel Engine

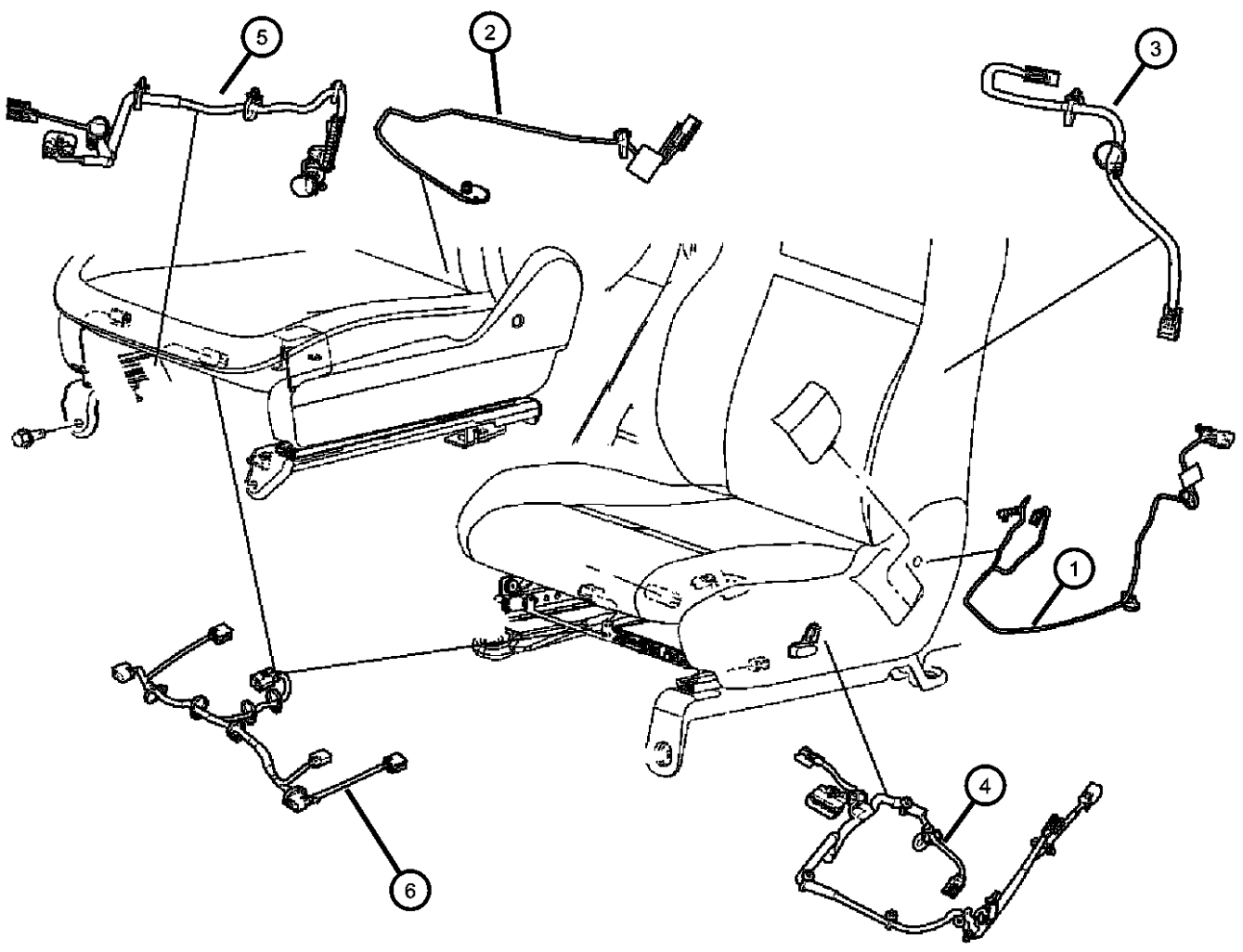
TRANSMISSION
 DGQ = 5-Speed Automatic 545RFE Transmission
 DGJ = 5-Speed Auto W5A580 Transmission

AR = use ase required - = Non illustrated part

2011 WK

**Wiring Seats Front
Figure 8-1520**

ITEM	PART NUMBER	QTY	LINE	SERIES	BODY	ENGINE	TRANS	TRIM	DESCRIPTION
1									WIRING, Side Air Bag
	68086195AA	1	U		74				Active head restraint, belt alert
	68086197AA	1	J, T		74				Active head restraint
	68086198AA	1	J, T		74				Active head restraint, seat track position sensor, 8 way, lumbar
	68086324AA	1	J, T		74				Side air bag, active head restraint, belt alert
	68086407AA	1	U		74				Active head restraint, belt alert, 8 way
		1	J, T		74				Active head restraint, belt alert
2									WIRING, Side Air Bag
	68086367AA	1	J, T		74				Side air bag, active head restraint
		1	U		74				Side air bag, active head restraint
	68086458AA	1	U		74				Active head restraint, heated, lumbar
	68101110AA	1	J, T		74				Active head restraint, belt alert
3	68086441AA	1	J		74				WIRING, Seat Back, Lumbar
4									WIRING, Power Seat
	68086440AA	1	J		74				Active head restraint, belt alert, 8 way
	68086457AA	1	U		74				8 way, heated, lumbar
	68086459AA	1	J		74				Active head restraint, 8 way, lumbar, rear heated
	68086473AA	1	J, T		74				Active head restraints, 8 way, heated, seat track position sensor
	68086368AA	1	J, T		74				
	68086370AA	1	J, T		74				8 way, lumbar, heated ventilated, memory
	68086429AA	1	J		74				Active head restraint, 8 way, lumbar, heated
	68086431AA	1	U		74				8 way, Heated ventilated
	68086463AA	1	U		74				8 way, lumbar, heated
	68086467AA	1	U		74				Active head restraints, 8 way, lumbar
	68086375AA	1	J, T		74				8 way, lumbar, heated
	68086398AA	1	J		74				Active head restraint, 8 way, lumbar, heated ventilated
	68086406AA	1	U		74				Belt alert, occupant detection sensor
5									WIRING, Power Seat
	68086196AA	1	J, T		74				Recliner, 4 way, lumbar



GRAND CHEROKEE (WK)

SERIES LINE
H = HIGHLINE T = JEEP - 2WD
P = PREMIUM J = JEEP - 4WD
S = SPORT U = JEEP - 4WD (RHD)

BODY
74 = SPORT UTILITY 4-DR
TYPE #4

ENGINE
ERB = 3.0L Mid V6 Engine
EZH = 5.7L V8 HEMI MDS
VVT Engine
EXF = 3.0L V6 Turbo Diesel
Engine

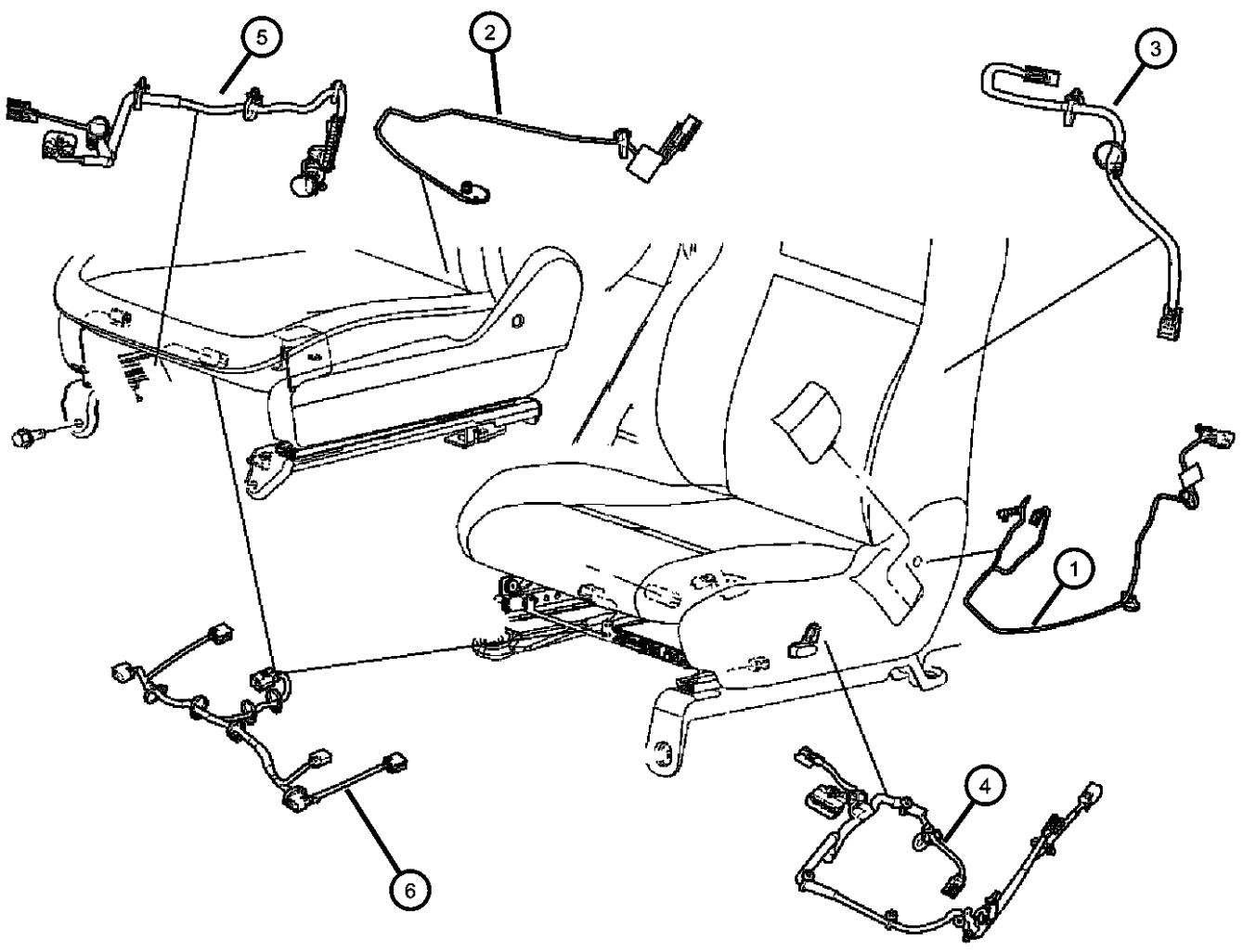
TRANSMISSION
DGQ = 5-Spd Automatic 545RFE
Transmission
DGJ = 5-Speed Auto W5A580
Transmission

AR = use ase required - = Non illustrated part

2011 WK

Wiring Seats Front
Figure 8-1520

ITEM	PART NUMBER	QTY	LINE	SERIES	BODY	ENGINE	TRANS	TRIM	DESCRIPTION
	68086369AA	1	J, T		74				4 way, power recliner, lumbar, heated ventilated
	68086395AA	1	J		74				8 way, lumbar, heated ventilated
	68086428AA	1	J		74				Active head restraint, 8 way, lumbar
	68086430AA	1	U		74				Active head restraint, lumbar, heated ventilated
		2	U		74				Recliner, 4 way, lumbar
	68086366AA	1	J, T		74				8 way, lumbar, heated ventilated
	68086376AA	1	J		74				Recliner, 4 way, lumbar
	68086432AA	1	J		74				Active head restraint, 8 way, lumbar, heated
		1	U		74				Recliner, 4 way, lumbar
	68086378AA	1	J, T		74				8 way, lumbar, heated, memory
		1	U		74				4 way, power recliner, lumbar, heated ventilated
	68086472AA	1	J, T		74				8 way power, lumbar, heated
	68086474AA	1	J		74				Active head restraint, lumbar, belt alert, 6 way
	68086439AA	1	J		74				Belt alert
	68086462AA	1	U		74				Active, head restraint, 8 way, lumbar, heated
6	68101101AA	1	J		74				WIRING, Seat



GRAND CHEROKEE (WK)

SERIES LINE
H = HIGHLINE T = JEEP - 2WD
P = PREMIUM J = JEEP - 4WD
S = SPORT U = JEEP - 4WD (RHD)

BODY
74 = SPORT UTILITY 4-DR
TYPE #4

ENGINE
ERB = 3.0L Mid V6 Engine
EZH = 5.7L V8 HEMI MDS
VVT Engine
EXF = 3.0L V6 Turbo Diesel
Engine

TRANSMISSION
DGQ = 5-Spd Automatic 545RFE
Transmission
DGJ = 5-Speed Auto W5A580
Transmission

AR = use ase required - = Non illustrated part

2011 WK

**Wiring Repairs
Figure 8-1605**

ITEM	PART NUMBER	QTY	LINE	SERIES	BODY	ENGINE	TRANS	TRIM	DESCRIPTION
-1									STRAP, Tie, For Electrical Connector Repair Information visit the World Wide Web at http://dto.vftis.com/mopar/disclaimer.asp
	04641780	1	J, T, U		74	EXL			
	05073039AA	1							
	56008876	1	J, T, U		74	EZH			
-2	56055632AC	1	J, T		74				CONNECTOR, 7 Way
-3									COVER, Wiring Protector
	05057742AA	1	J, T, U		74				
	04869199AA	1	J, T, U		74				TPM Cover
-4									CONNECTOR ASSEMBLY, Electrical
	52108308AC	1	J, U		74	EXF	DGJ		
	68086199AA	1	J, T		74				24 way
		1	T		74	ERB	DGJ		
		1	U		74				24 way

For Electrical Connector Repair Information visit the World Wide Web at

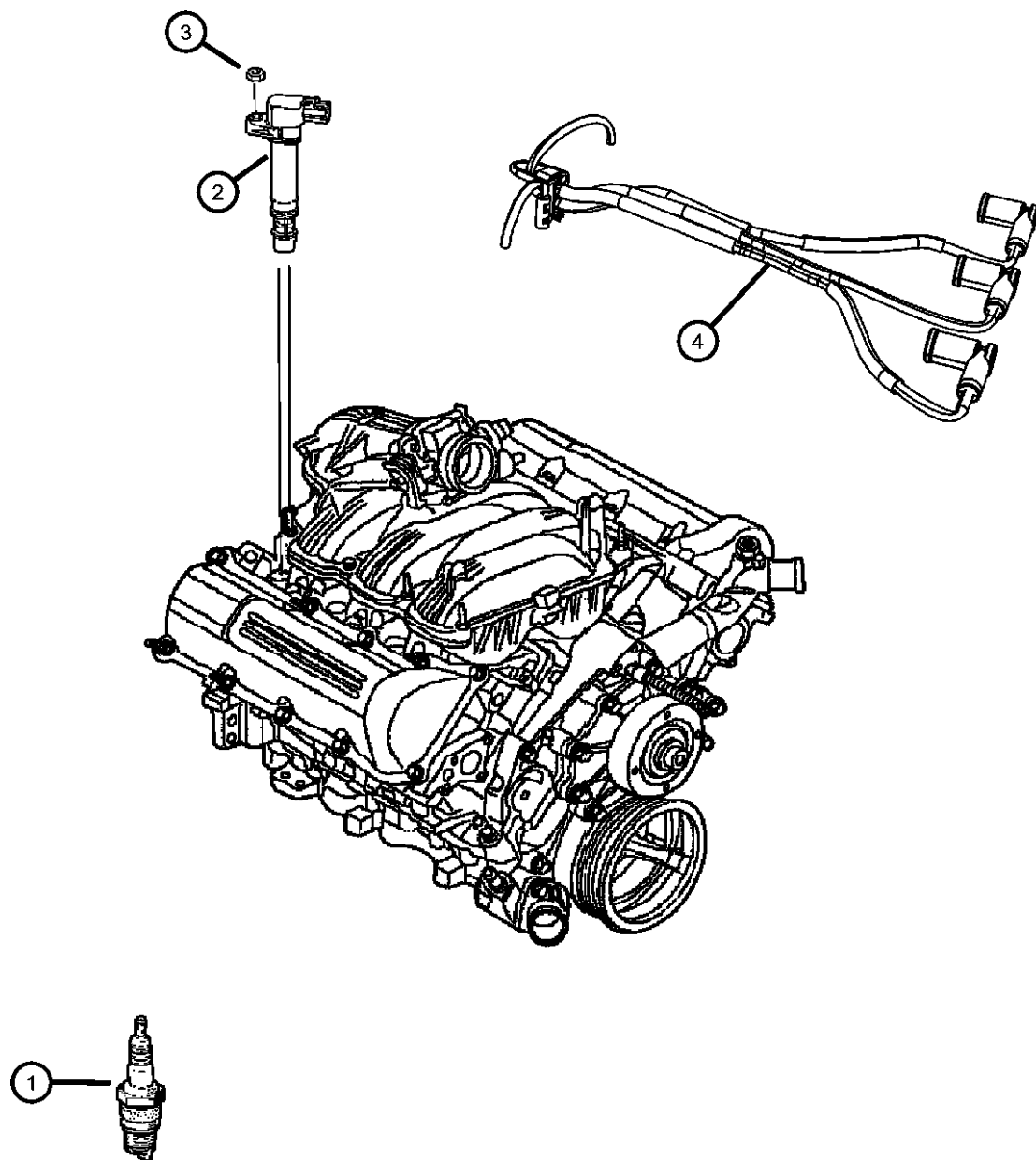
<http://dto.vftis.com/mopar/disclaimer.asp>

GRAND CHEROKEE (WK)

SERIES	LINE	BODY	ENGINE	TRANSMISSION
H = HIGHLINE	T = JEEP - 2WD	74 = SPORT UTILITY 4-DR TYPE #4	ERB = 3.XL Mid V6 Engine	DGQ = 5-Spd Automatic 545RFE
P = PREMIUM	J = JEEP - 4WD		EZH = 5.7L V8 HEMI MDS VVT Engine	Transmission
S = SPORT	U = JEEP - 4WD (RHD)		EXF = 3.0L V6 Turbo Diesel Engine	DGJ = 5-Speed Auto W5A580 Transmission

Spark Plugs, Ignition Wires, and Ignition Coil
Figure 8-1905

ITEM	PART NUMBER	QTY	LINE	SERIES	BODY	ENGINE	TRANS	TRIM	DESCRIPTION
1	SP149125AD	6	J, T, U		74	ERB			SPARK PLUG
2	05149168AH	6	J, T, U		74	ERB			COIL, Ignition
3		6							SCREW, Hex Flange Head, M6X1.00X60.00, serviced in coil assembly, (NOT SERVICED)
4	05149243AB	2	J, T, U		74	ERB			CAPACITOR, Ignition



GRAND CHEROKEE (WK)

SERIES LINE
H = HIGHLINE T = JEEP - 2WD
P = PREMIUM J = JEEP - 4WD
S = SPORT U = JEEP - 4WD (RHD)

BODY
74 = SPORT UTILITY 4-DR TYPE #4

ENGINE
ERB = 3.0L Mid V6 Engine
EZH = 5.7L V8 HEMI MDS VVT Engine
EXF = 3.0L V6 Turbo Diesel Engine

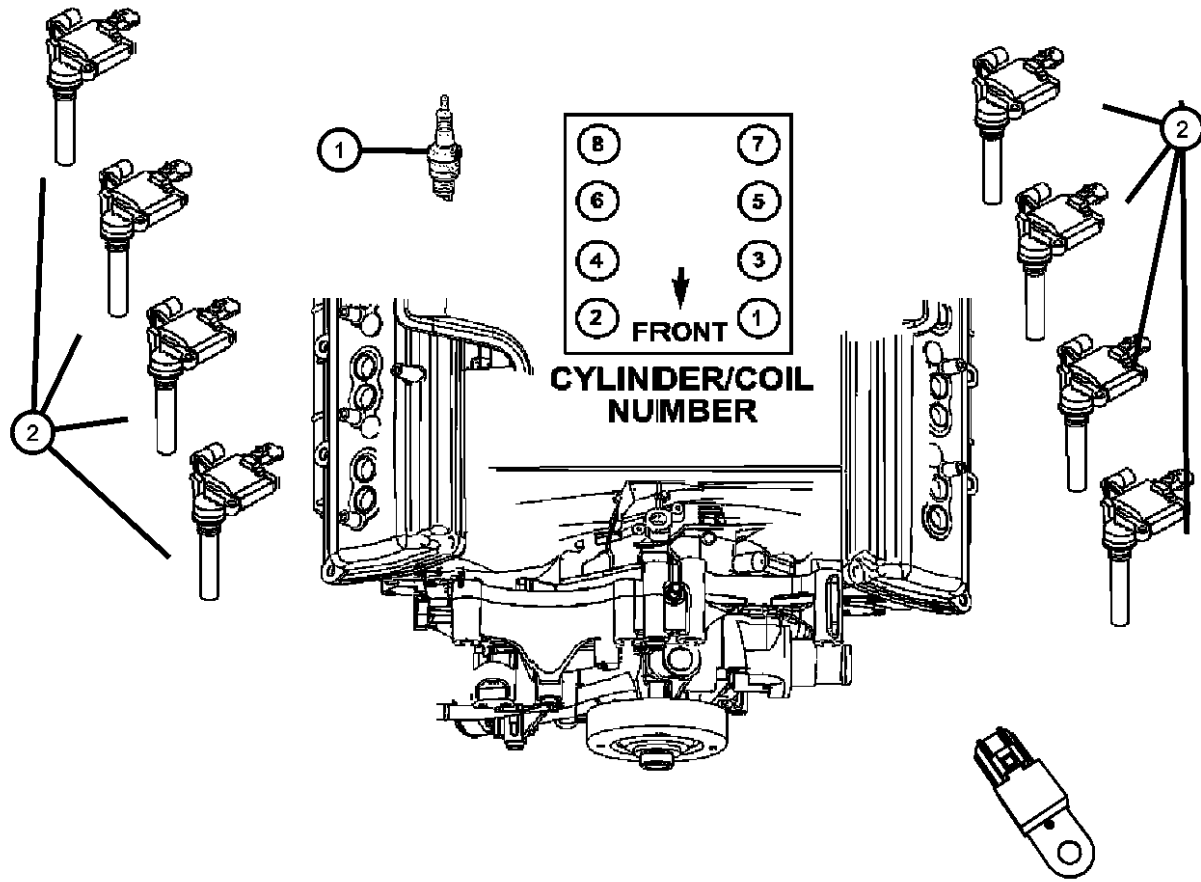
TRANSMISSION
DGQ = 5-Spd Automatic 545RFE Transmission
DGJ = 5-Speed Auto W5A580 Transmission

AR = use ase required - = Non illustrated part

2011 WK

Spark Plugs, Ignition Wires, Ignition Coil
Figure 8-1910

ITEM	PART NUMBER	QTY	LINE	SERIES	BODY	ENGINE	TRANS	TRIM	DESCRIPTION
1	SPLZFR5C11	16	J, T, U		74	EZH			SPARK PLUG
2	56029129AB	8	J, T, U		74	EZH			COIL, Ignition



GRAND CHEROKEE (WK)

SERIES LINE
H = HIGHLINE T = JEEP - 2WD
P = PREMIUM J = JEEP - 4WD
S = SPORT U = JEEP - 4WD (RHD)

BODY
74 = SPORT UTILITY 4-DR
TYPE #4

ENGINE
ERB = 3.XL Mid V6 Engine
EZH = 5.7L V8 HEMI MDS
VVT Engine
EXF = 3.0L V6 Turbo Diesel
Engine

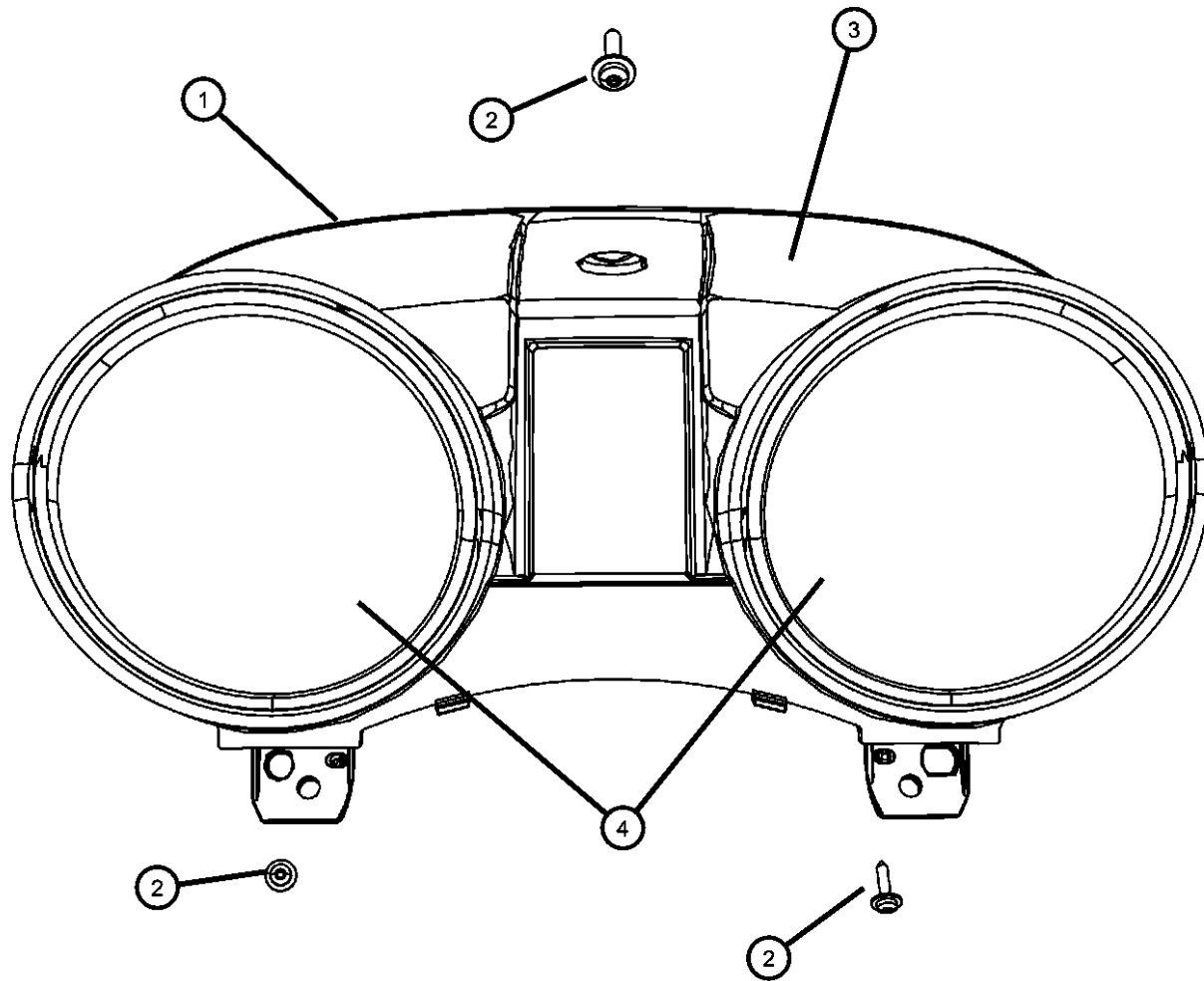
TRANSMISSION
DGQ = 5-Spd Automatic 545RFE
Transmission
DGJ = 5-Speed Auto W5A580
Transmission

AR = use ase required - = Non illustrated part

2011 WK

**Instrument Panel Cluster
Figure 8-2105**

ITEM	PART NUMBER	QTY	LINE	SERIES	BODY	ENGINE	TRANS	TRIM	DESCRIPTION
1									CLUSTER, Instrument Panel
	05172614AI	1	J, T, U		74	ER0			[JCE], Export
	05172615AI	1	J, T, U		74	ER0			[JDJ],
	05172616AI	1	J, T, U		74	EZ0			[JDJ]
	05172611AI	1	J, T, U		74	EX0			[JDJ]
	05172612AI	1	J, T, U		74	EX0			[JCE], Export
	05172602AI	1	J, T, U		74	ER0			[JCE]
	05172605AI	1	J, T, U		74	EZ0			[JCE]
	05172610AI	1	J, T, U		74	EZ0			[JCE], Export
2	06104610AA	3	J, T, U		74				SCREW AND WASHER, Tapping Pan Head, M4.2X1.4X19.0
3	68093194AA	1	J, T, U		74	ERB			LENS, Instrument Cluster
4	68093195AA	1	J, T, U		74	ERB			VISOR, Cluster



GRAND CHEROKEE (WK)

SERIES LINE
H = HIGHLINE T = JEEP - 2WD
P = PREMIUM J = JEEP - 4WD
S = SPORT U = JEEP - 4WD (RHD)

BODY
74 = SPORT UTILITY 4-DR
TYPE #4

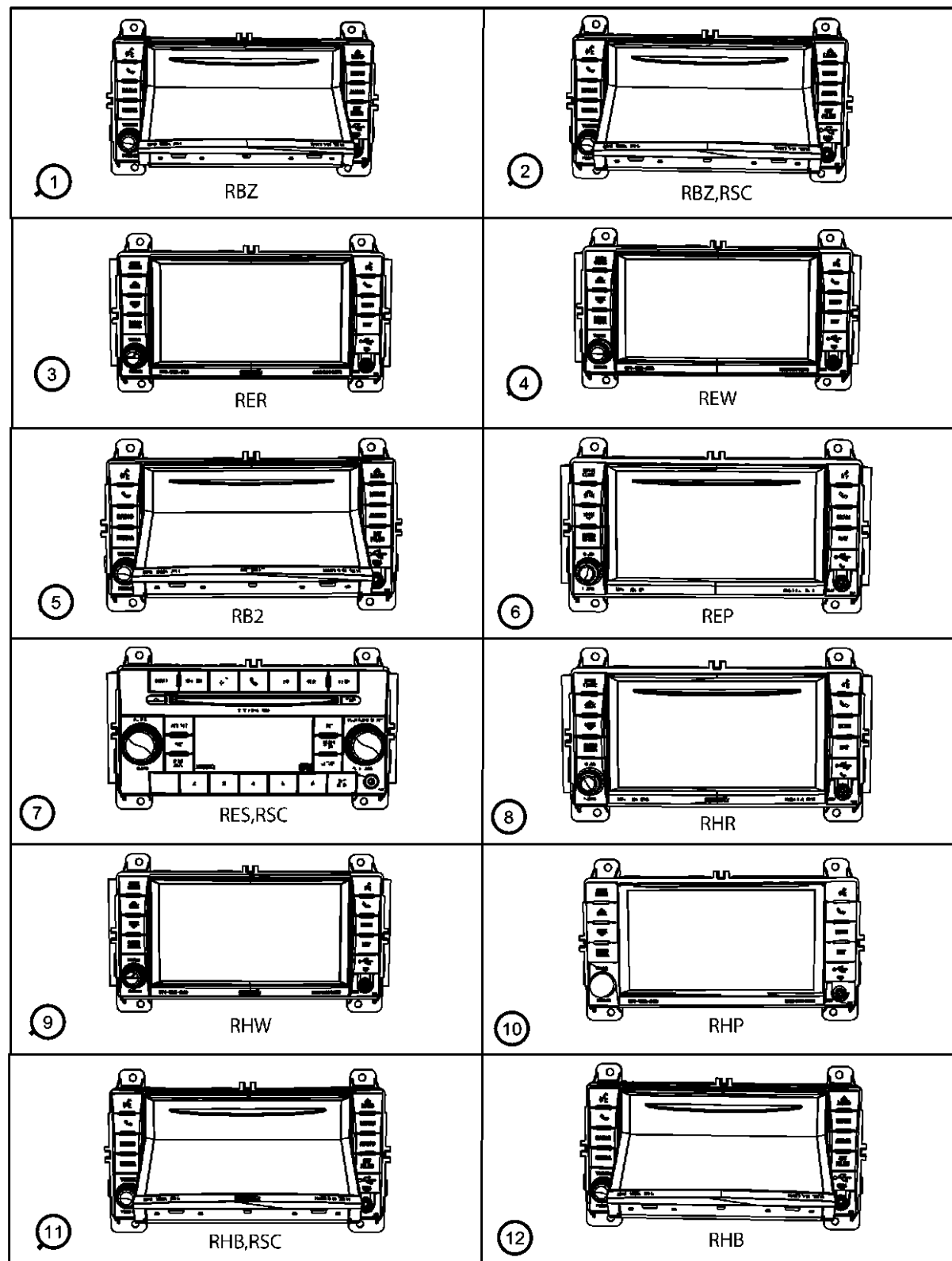
ENGINE
ERB = 3.XL Mid V6 Engine
EZH = 5.7L V8 HEMI MDS
VVT Engine
EXF = 3.0L V6 Turbo Diesel
Engine

TRANSMISSION
DGQ = 5-Spd Automatic 545RFE
Transmission
DGJ = 5-Speed Auto W5A580
Transmission

AR = use ase required - = Non illustrated part

2011 WK

Radio
Figure 8-2205



ITEM	PART NUMBER	QTY	LINE	SERIES	BODY	ENGINE	TRANS	TRIM	DESCRIPTION
1	05064683AH	1	J, T, U		74				RADIO, AM/FM/DVD/HDD/MP3/RR CAMERA, [RBZ]
2	05064685AH	1	J, T, U		74				RADIO, AM/FM/DVD/HDD/MP3/SDARS/RR CAMERA, [RBZ,RSC]
3	05064725AD	1	J, T, U		74				RADIO, AM/FM/CD/DVD/HDD/NAV [RER] Up to 6/7/10
	05064725AE	1	J, T, U		74				[RER] After 6/7/10
4	05064726AE	1	J, T, U		74				RADIO, AM/FM/CD/DVD/HDD/NAV [REW] After 6/7/10
	05064726AD	1	J, T, U		74				[REW] Up to 6/7/10
5	05064755AG	1	J, T, U		74				RADIO, AM/FM/CD/DVD/HDD, [RB2]
6	05064826AD	1	J, T, U		74				RADIO, AM/FM/CD/DVD/HDD/NAV [REP] Up to 6/7/10
	05064826AE	1	J, T, U		74				[REP] After 6/7/10
7	68039290AH	1	J, T, U		74				RADIO, AM/FM/CD/MP3 & Satellite, [RES,RSC]
8	05064830AC	1	J, T, U		74				RADIO, AM/FM/CD/DVD/HDD/MP3/NAV [RHR] Up to 01/07/11
	05064830AD	1	J, T, U		74				[RHR] After 01/07/11
9	05064831AC	1	J, T, U		74				RADIO, MW/FM/CD/MP3/NAV [RHW] Up to 01/07/11
	05064831AD	1	J, T, U		74				[RHW] After 01/07/11
10	05064832AB	1	J, T, U		74				RADIO, Am/fm/cd/mp3/nav, [RHP]
11	05064839AE	1	J, T, U		74				RADIO, AM/FM/CD/DVD/HDD/MP3/NAV/satellite [RHB,RSC] Up to 6/21/10
	05064839AF	1	J, T, U		74				[RHB,RSC] After 6/21/10
12	05064847AE	1	J, T, U		74				RADIO, AM/FM/CD/DVD/HDD/MP3/NAV [RHB] Up to 6/21/10
	05064847AF	1	J, T, U		74				[RHB] After 6/21/10

GRAND CHEROKEE (WK)

SERIES LINE
H = HIGHLINE T = JEEP - 2WD
P = PREMIUM J = JEEP - 4WD
S = SPORT U = JEEP - 4WD (RHD)

BODY
74 = SPORT UTILITY 4-DR
TYPE #4

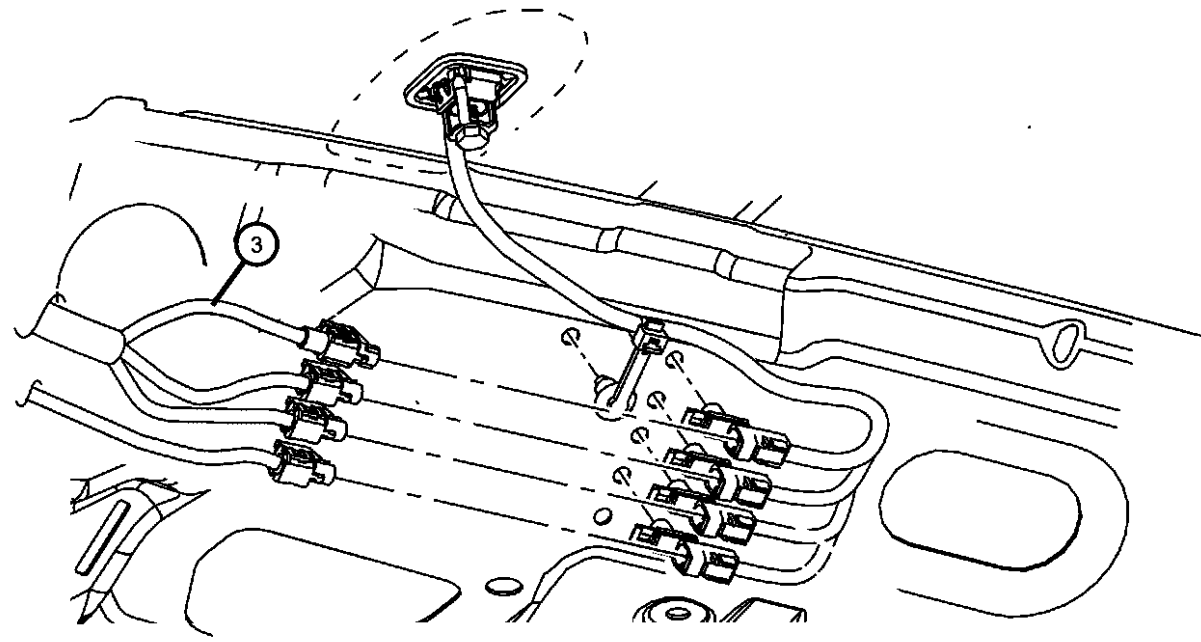
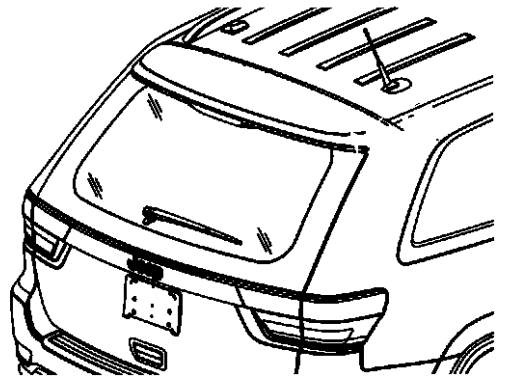
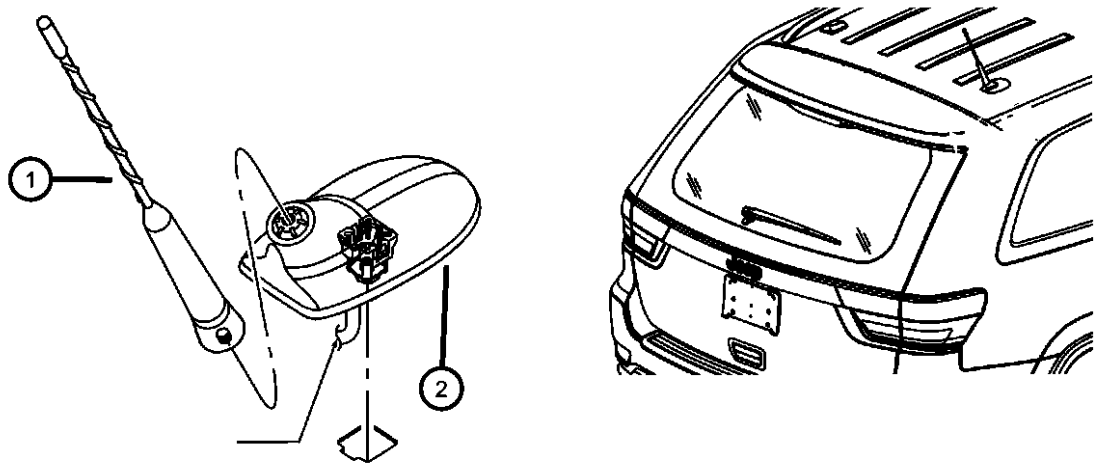
ENGINE
ERB = 3.XL Mid V6 Engine
EZH = 5.7L V8 HEMI MDS
VVT Engine
EXF = 3.0L V6 Turbo Diesel
Engine

TRANSMISSION
DGQ = 5-Spd Automatic 545RFE
Transmission
DGJ = 5-Speed Auto W5A580
Transmission

AR = use ase required - = Non illustrated part

Antenna
Figure 8-2210

ITEM	PART NUMBER	QTY	LINE	SERIES	BODY	ENGINE	TRANS	TRIM	DESCRIPTION
1									MAST, Antenna
	05064688AB	1	J, T, U		74				Up to 7/19/10
	05091100AA	1	J, T, U		74				After 7/19/10
2	05064771AB	1	J, T, U		74				ANTENNA, Base Cable And Bracket
3		1							CABLE, Antenna, serviced in body wiring, (NOT SERVICED)



GRAND CHEROKEE (WK)

SERIES LINE
H = HIGHLINE T = JEEP - 2WD
P = PREMIUM J = JEEP - 4WD
S = SPORT U = JEEP - 4WD (RHD)

BODY
74 = SPORT UTILITY 4-DR
TYPE #4

ENGINE
ERB = 3.0L Mid V6 Engine
EZH = 5.7L V8 HEMI MDS
VVT Engine
EXF = 3.0L V6 Turbo Diesel
Engine

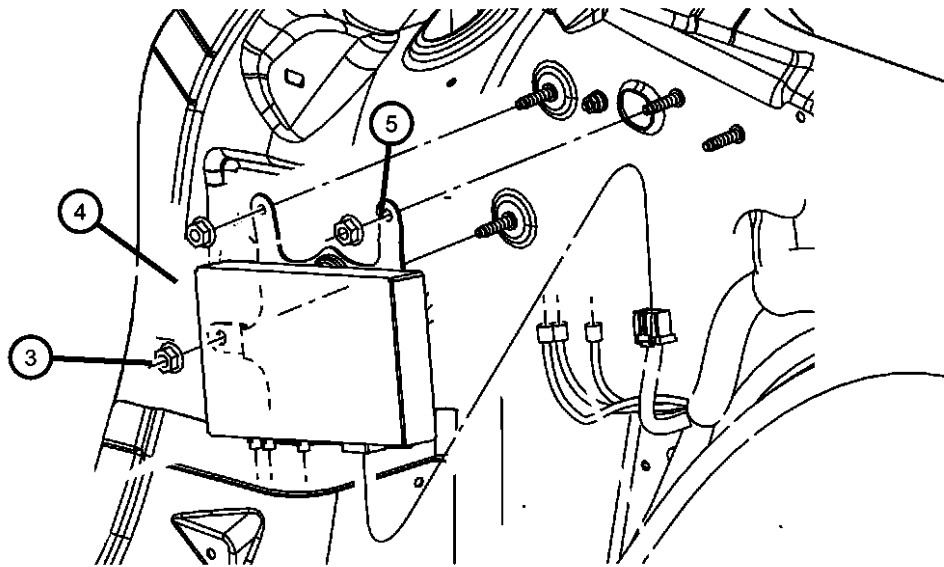
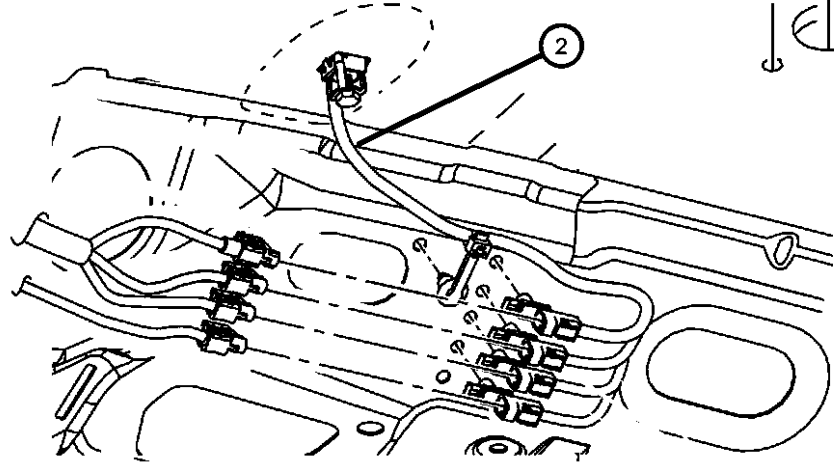
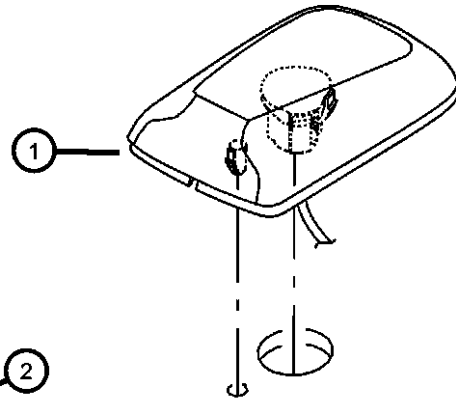
TRANSMISSION
DGQ = 5-Spd Automatic 545RFE
Transmission
DGJ = 5-Speed Auto W5A580
Transmission

AR = use ase required - = Non illustrated part

2011 WK

**Satellite Radio System
Figure 8-2215**

ITEM	PART NUMBER	QTY	LINE	SERIES	BODY	ENGINE	TRANS	TRIM	DESCRIPTION
1	05064724AA	1	J, T, U		74				ANTENNA, Satellite
2	05064861AC	1	J, T, U		74				ANTENNA, Base Cable And Bracket
3	06104708AA	3	J, T, U		74				NUT, Hex, M6
4	05064189AH	1	J, T, U		74				RECEIVER, Satellite
5	05064322AA	1	J, T, U		74				BRACKET, SATELLITE VIDEO RECEIVER



GRAND CHEROKEE (WK)

SERIES LINE
H = HIGHLINE T = JEEP - 2WD
P = PREMIUM J = JEEP - 4WD
S = SPORT U = JEEP - 4WD (RHD)

BODY
74 = SPORT UTILITY 4-DR
TYPE #4

ENGINE
ERB = 3.0L Mid V6 Engine
EZH = 5.7L V8 HEMI MDS
VVT Engine
EXF = 3.0L V6 Turbo Diesel
Engine

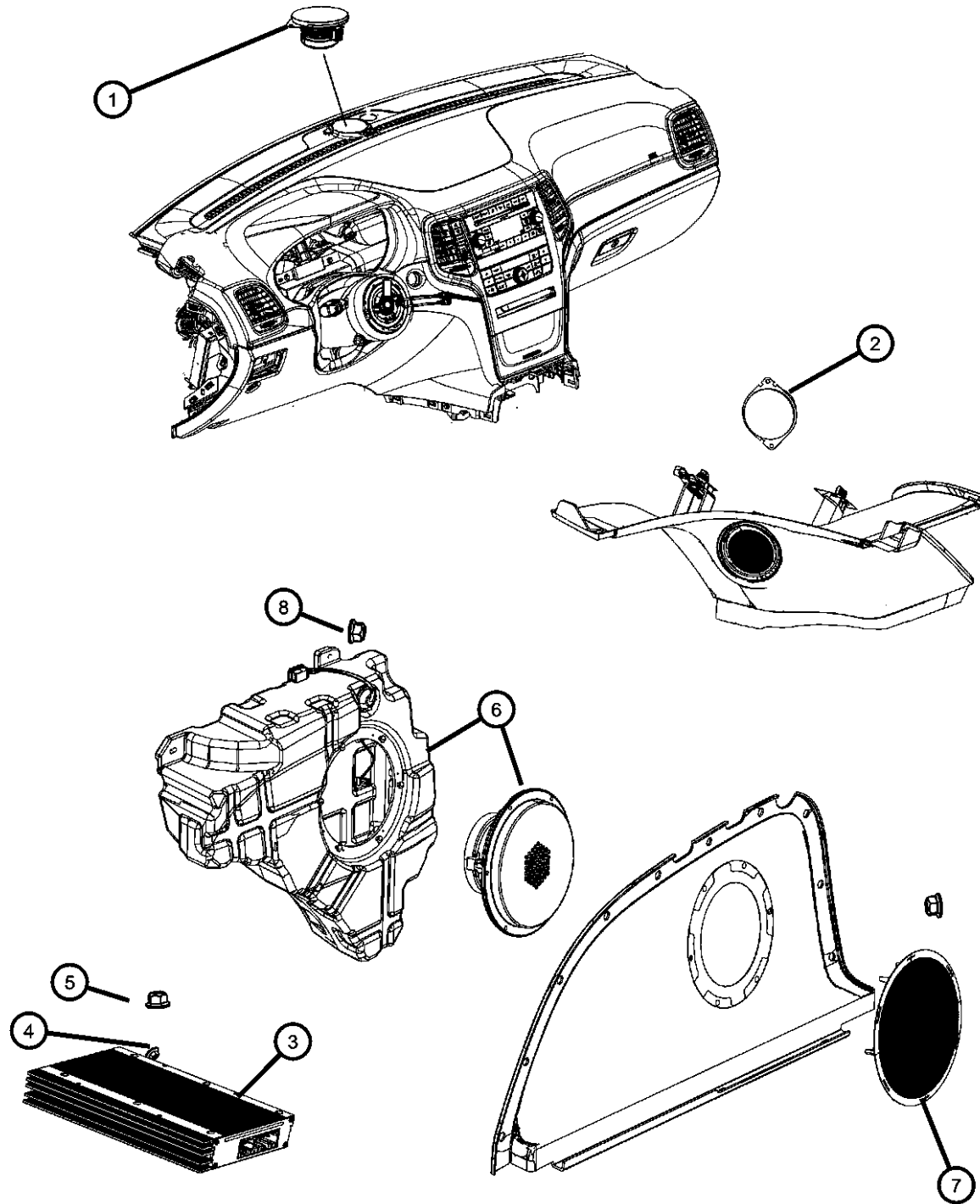
TRANSMISSION
DGQ = 5-Spd Automatic 545RFE
Transmission
DGJ = 5-Speed Auto W5A580
Transmission

AR = use ase required - = Non illustrated part

2011 WK

Speakers Instrument Panel and Quarters and Amplifiers
Figure 8-2220

ITEM	PART NUMBER	QTY	LINE	SERIES	BODY	ENGINE	TRANS	TRIM	DESCRIPTION
1	05064359AB	1	J, T, U		74				SPEAKER, 3.5" Instrument Panel
2	05064360AB	1	J, T, U		74				SPEAKER, 2.5", D Pillar
3	05064533AG	1	J, T, U		74				AMPLIFIER Up to 7/26/10
	05064533AI	1	J, T, U		74				After 07/26/10
4	06104725AA	2	J, T, U		74				NUT AND WASHER, Hex, M6X1.00, AMPLIFIER TO BODY
5	06101818	1	J, T, U		74				SCREW AND WASHER, Hex Head, M6X1.00X25.00, AMPLIFIER TO BODY
6	05064610AC	1	J, T, U		74				SPEAKER, Sub Woofer
7	68085754AA	1	J, T, U		74				GRILLE, Speaker, Quarter trim
8	06104725AA	2	J, T, U		74				NUT AND WASHER, Hex, M6X1.00, SUBWOOFER TO RIGHT QUARTER



GRAND CHEROKEE (WK)

SERIES LINE
H = HIGHLINE T = JEEP - 2WD
P = PREMIUM J = JEEP - 4WD
S = SPORT U = JEEP - 4WD (RHD)

BODY
74 = SPORT UTILITY 4-DR
TYPE #4

ENGINE
ERB = 3.0L Mid V6 Engine
EZH = 5.7L V8 HEMI MDS
VVT Engine
EXF = 3.0L V6 Turbo Diesel
Engine

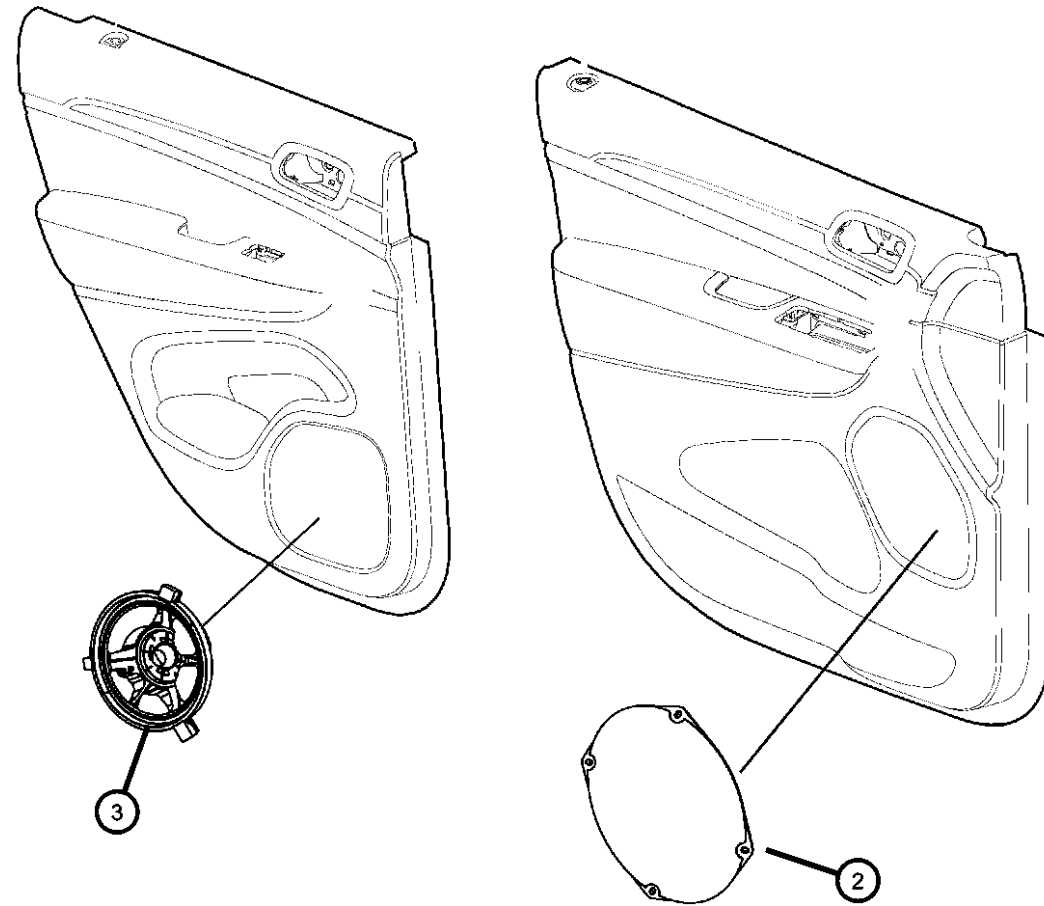
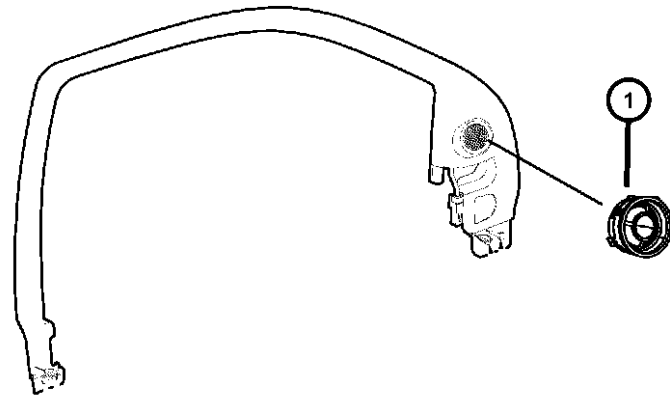
TRANSMISSION
DGQ = 5-Spd Automatic 545RFE
Transmission
DGJ = 5-Speed Auto W5A580
Transmission

AR = use ase required - = Non illustrated part

2011 WK

Speakers Doors
Figure 8-2221

ITEM	PART NUMBER	QTY	LINE	SERIES	BODY	ENGINE	TRANS	TRIM	DESCRIPTION
1	05091018AA	1	J, T, U		74				SPEAKER, 1"Upper, Door
2	05064358AB	1	J, T, U		74				SPEAKER, 6"X9" [RC3], Front Door
	05091019AB	1	J, T, U		74				[RCG], Front Door
3	05064551AA	1	J, T, U		74				SPEAKER, 6.5" [RC3], Left Rear
		1	J, T, U		74				[RC3], Right Rear
	05091020AB	1	J, T, U		74				[RCG], Left Rear
		1	J, T, U		74				[RCG], Right Rear



GRAND CHEROKEE (WK)

SERIES LINE
H = HIGHLINE T = JEEP - 2WD
P = PREMIUM J = JEEP - 4WD
S = SPORT U = JEEP - 4WD (RHD)

BODY
74 = SPORT UTILITY 4-DR
TYPE #4

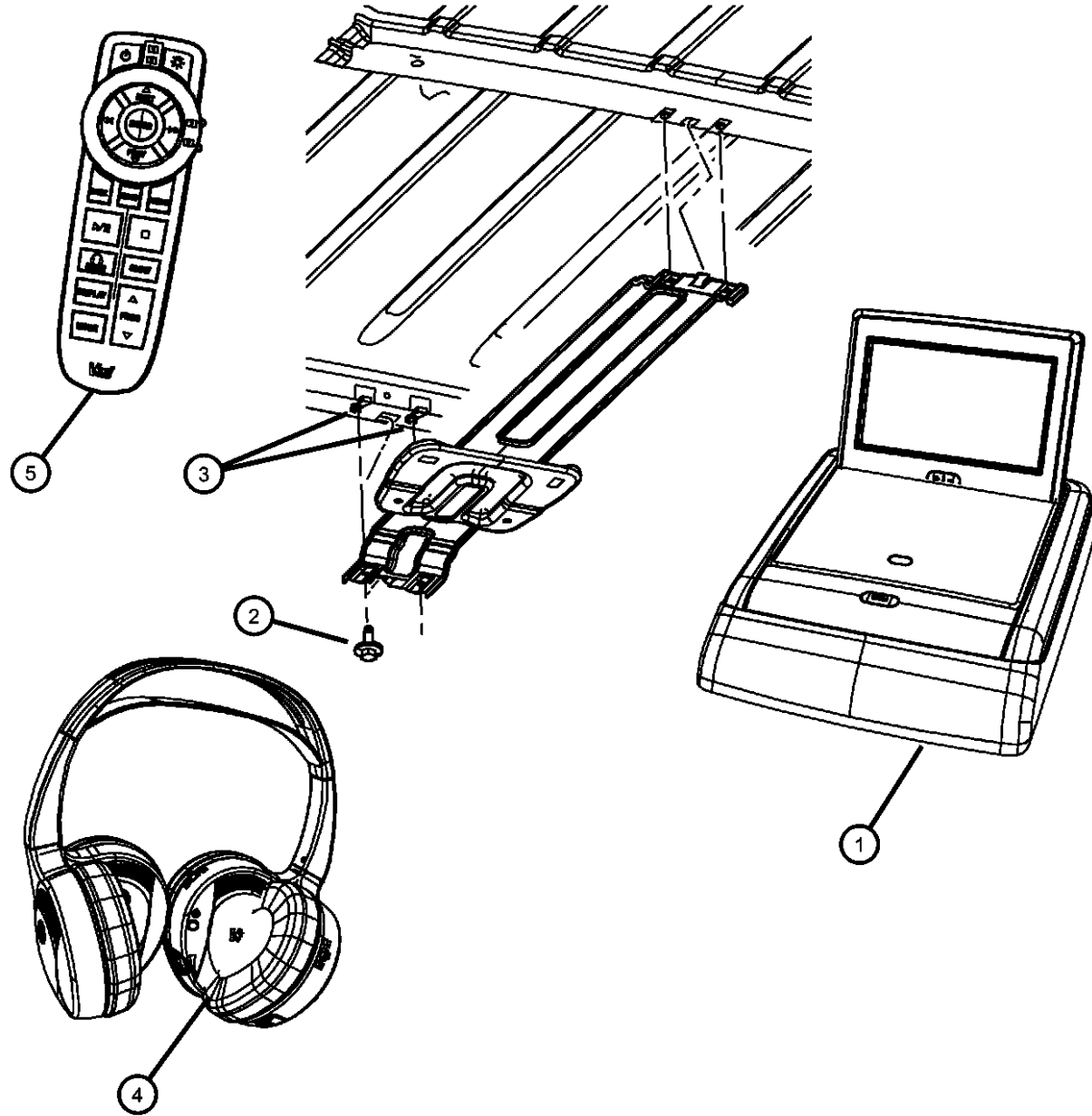
ENGINE
ERB = 3.0L Mid V6 Engine
EZH = 5.7L V8 HEMI MDS
VVT Engine
EXF = 3.0L V6 Turbo Diesel
Engine

TRANSMISSION
DGQ = 5-Spd Automatic 545RFE
Transmission
DGJ = 5-Speed Auto W5A580
Transmission

AR = use ase required - = Non illustrated part

2011 WK

DVD and Video System
Figure 8-2225



ITEM	PART NUMBER	QTY	LINE	SERIES	BODY	ENGINE	TRANS	TRIM	DESCRIPTION
1	1GQ80HDAAD	1	J, T, U		74				MONITOR, Media System [X9]
		1	J, T, U		74				[XT]
	1GQ80HL1AD	1	J, T, U		74				[L9]
		1	J, T, U		74				[XL]
2		1							SCREW AND WASHER, Hex Head, M5X0.8X16.00, (NOT SERVICED),
3	06104708AA	3	J, T, U		74				NUT, Hex, M6
4	05107082AD	2	J, T, U		74				HEADPHONES, Wireless
5	05107094AC	1	J, T, U		74				REMOTE, Wireless Infrared

GRAND CHEROKEE (WK)

SERIES LINE
H = HIGHLINE T = JEEP - 2WD
P = PREMIUM J = JEEP - 4WD
S = SPORT U = JEEP - 4WD (RHD)

BODY
74 = SPORT UTILITY 4-DR
TYPE #4

ENGINE
ERB = 3.0L Mid V6 Engine
EZH = 5.7L V8 HEMI MDS
VVT Engine
EXF = 3.0L V6 Turbo Diesel
Engine

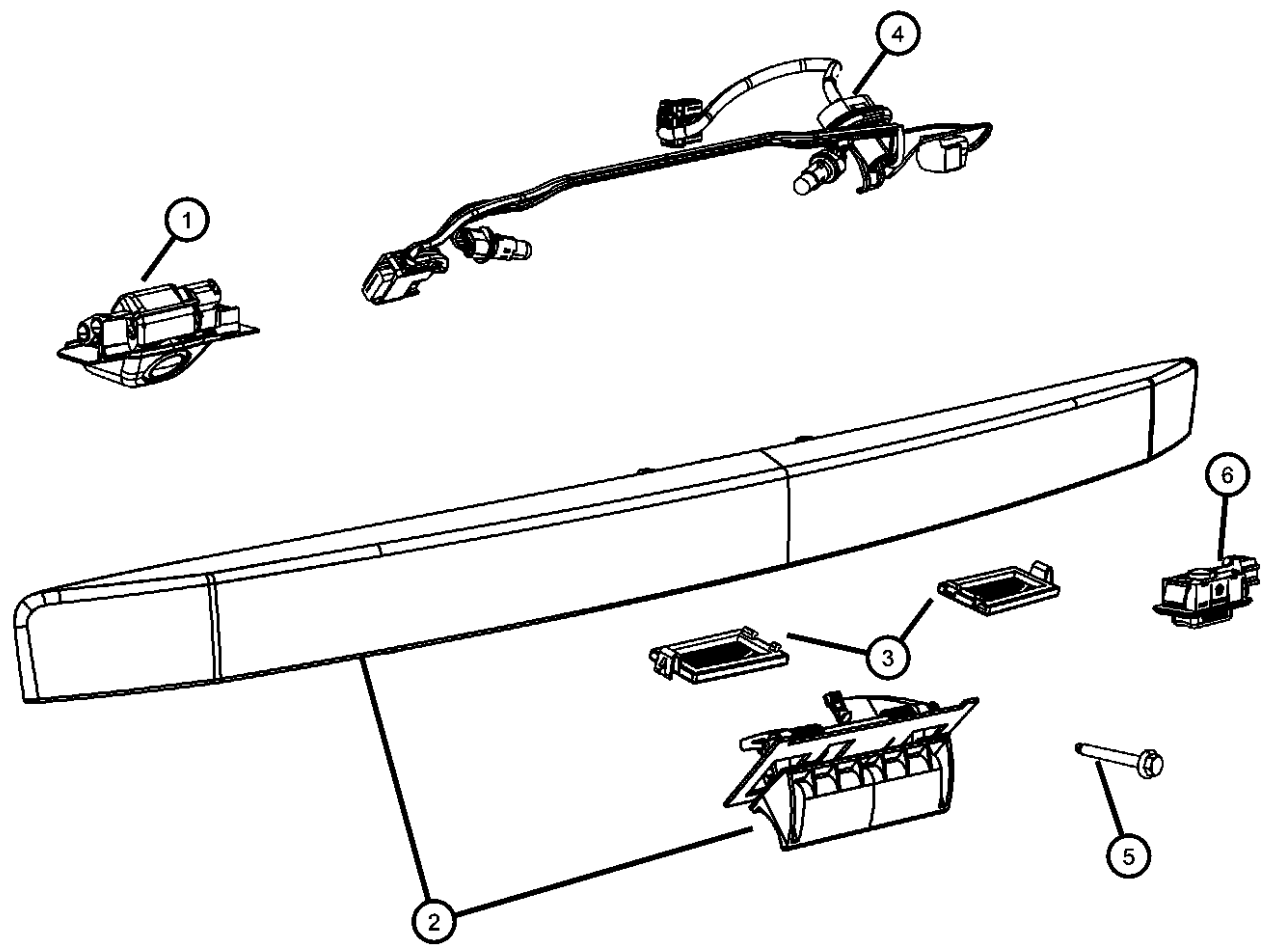
TRANSMISSION
DGQ = 5-Spd Automatic 545RFE
Transmission
DGJ = 5-Speed Auto W5A580
Transmission

AR = use ase required - = Non illustrated part

2011 WK

**Rear View Camera System
Figure 8-2230**

ITEM	PART NUMBER	QTY	LINE	SERIES	BODY	ENGINE	TRANS	TRIM	DESCRIPTION
1	56054059AC	1	J, T, U		74				CAMERA
2									HANDLE, Liftgate
	55079268AI	1	J, T, U		74				[GX4] After 09/20/10
	68083083AA	1	J, T, U		74				[XAC]
	68086771AA	1	J, T, U		74				
	55079268AG	1	J, T, U		74				[GX4] Up to 09/20/10
3									LENS, License Lamp
	68082644AA	1	J, T, U		74				Right
	68082645AA	1	J, T, U		74				Left
4		1							WIRING, License Lamp, serviced in handle assy only, (NOT SERVICED)
5	68083086AA	2	J, T, U		74				SCREW, Hex Head, Camera attaching
6	68083081AA	1	J, T, U		74				SWITCH, Flipper Window



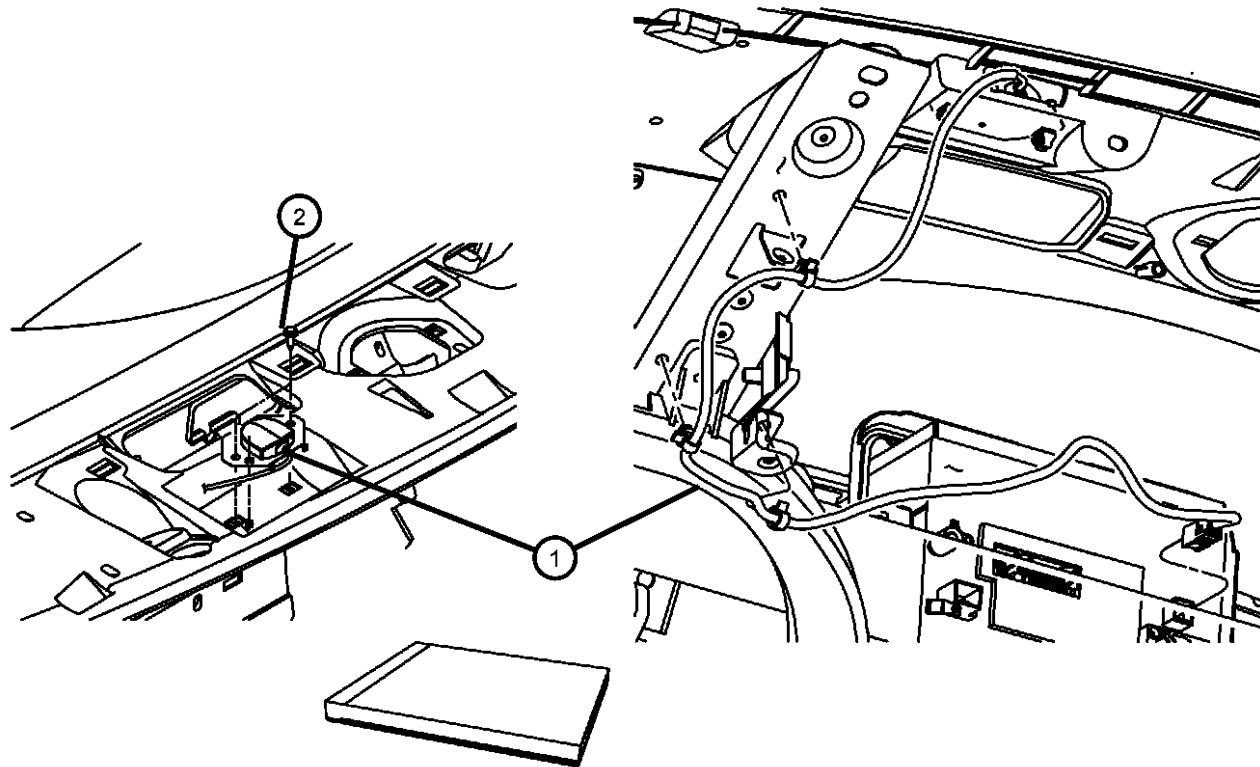
GRAND CHEROKEE (WK)

SERIES	LINE	BODY	ENGINE	TRANSMISSION
H = HIGHLINE	T = JEEP - 2WD	74 = SPORT UTILITY 4-DR	ERB = 3.XL Mid V6 Engine	DGQ = 5-Spd Automatic 545RFE
P = PREMIUM	J = JEEP - 4WD	TYPE #4	EZH = 5.7L V8 HEMI MDS	Transmission
S = SPORT	U = JEEP - 4WD (RHD)		VVT Engine	DGJ = 5-Speed Auto W5A580
			EXF = 3.0L V6 Turbo Diesel	Transmission
			Engine	

AR = use ase required - = Non illustrated part

Global Positioning
Figure 8-2405

ITEM	PART NUMBER	QTY	LINE	SERIES	BODY	ENGINE	TRANS	TRIM	DESCRIPTION
1	05064350AA	1	J, T, U		74				ANTENNA, Global Positioning
2		1							SCREW, Hex Flange Head, M4.2X1.70X15.00, (NOT SERVICED)



GRAND CHEROKEE (WK)

SERIES LINE
H = HIGHLINE T = JEEP - 2WD
P = PREMIUM J = JEEP - 4WD
S = SPORT U = JEEP - 4WD (RHD)

BODY
74 = SPORT UTILITY 4-DR
TYPE #4

ENGINE
ERB = 3.0L Mid V6 Engine
EZH = 5.7L V8 HEMI MDS
VVT Engine
EXF = 3.0L V6 Turbo Diesel
Engine

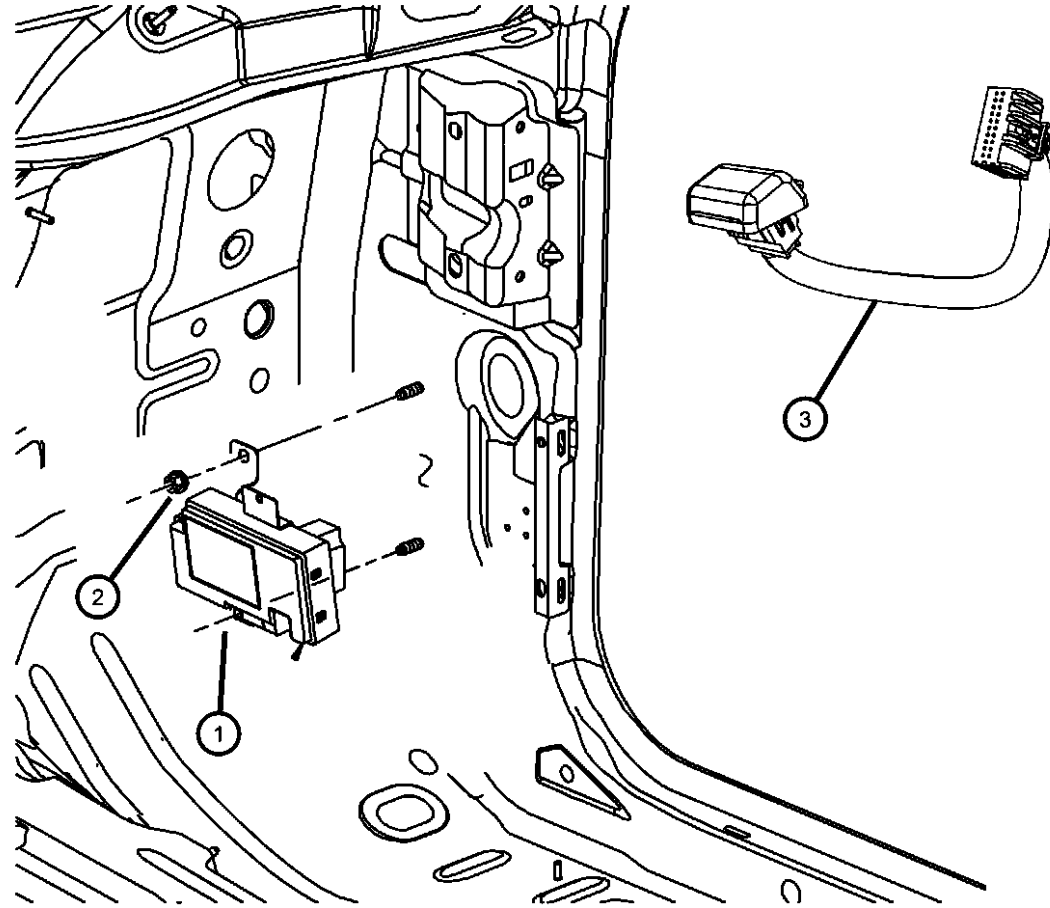
TRANSMISSION
DGQ = 5-Spd Automatic 545RFE
Transmission
DGJ = 5-Speed Auto W5A580
Transmission

AR = use ase required - = Non illustrated part

2011 WK

**Telecommunications
Figure 8-2505**

ITEM	PART NUMBER	QTY	LINE	SERIES	BODY	ENGINE	TRANS	TRIM	DESCRIPTION
1									MODULE, Telematics
	05064635AG	1	J, T, U		74				[RSP] After 6/14/10
	05064730AF	1	J, T, U		74				[RSQ] Up to 6/14/10
	05064730AG	1	J, T, U		74				[RSQ] After 6/14/10
	05064635AF	1	J, T, U		74				[RSP] Up to 6/14/10
2		1							NUT AND WASHER, Hex, M6X1.00, (NOT SERVICED),
3									WIRING, Jumper, Telematics
	68068280AA	1	U	P	74				
		1	T	H	74				
		1	J	H	74				
		1	U	H	74				
		1	T	P	74				
		1	J	P	74				



GRAND CHEROKEE (WK)

SERIES LINE
H = HIGHLINE T = JEEP - 2WD
P = PREMIUM J = JEEP - 4WD
S = SPORT U = JEEP - 4WD (RHD)

BODY
74 = SPORT UTILITY 4-DR
TYPE #4

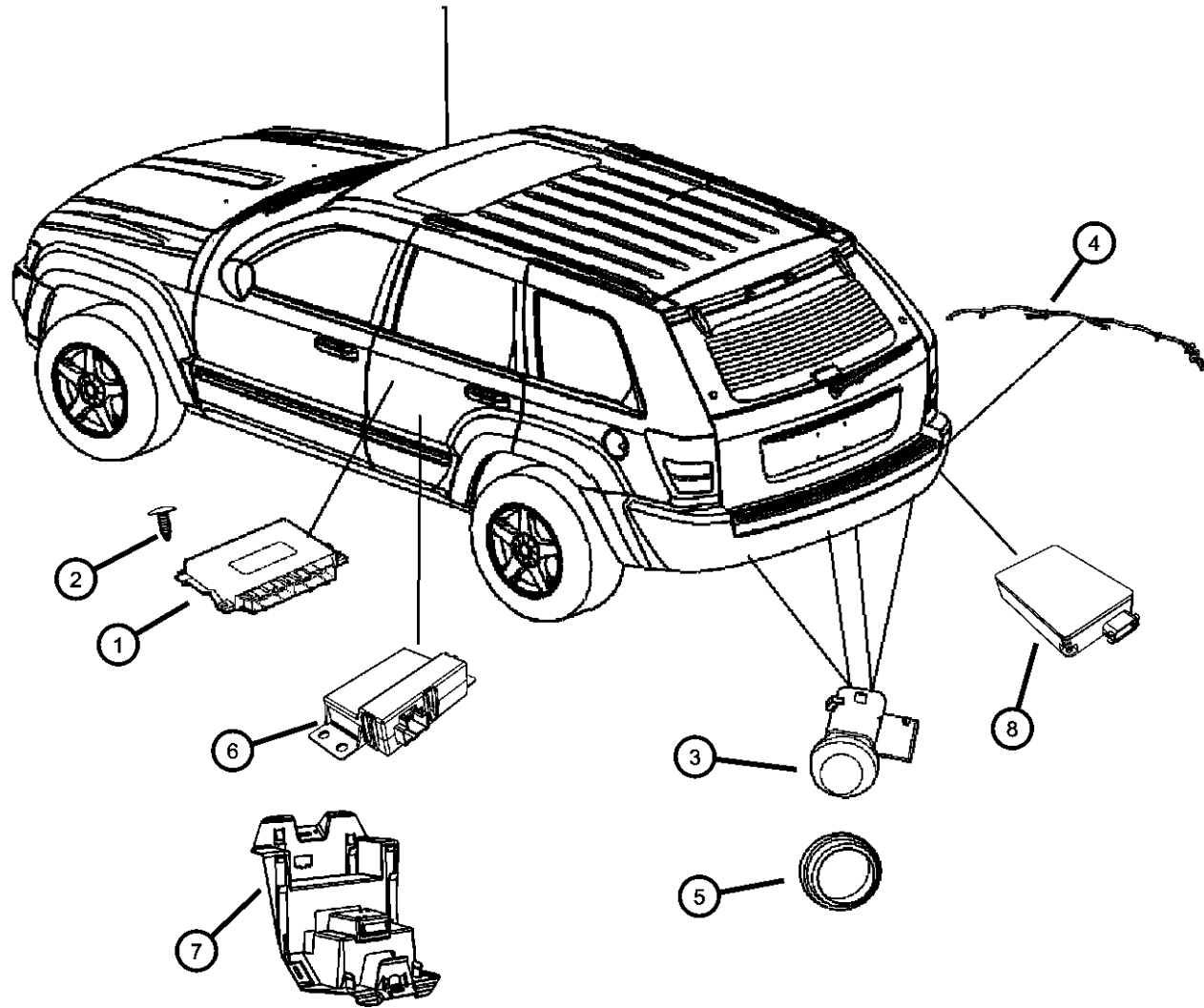
ENGINE
ERB = 3.0L Mid V6 Engine
EZH = 5.7L V8 HEMI MDS
VVT Engine
EXF = 3.0L V6 Turbo Diesel
Engine

TRANSMISSION
DGQ = 5-Spd Automatic 545RFE
Transmission
DGJ = 5-Speed Auto W5A580
Transmission

AR = use ase required - = Non illustrated part

2011 WK

**Park Assist
Figure 8-2605**



ITEM	PART NUMBER	QTY	LINE	SERIES	BODY	ENGINE	TRANS	TRIM	DESCRIPTION
1	56054146AE	1	J, T, U		74				MODULE, Parking Assist [XAG]
	56054147AE	1	J, T, U		74				[XAA]
2	06030441	1	J, T, U		74				PIN, Retainer
3	1EW63TZZAA	4	J, T, U		74	EZ0			SENSOR, Park Assist
4									WIRING, Rear Fascia
	68078322AA	1	J, T, U		74	ERB, EX0			[XAA,XAN]
	68085681AA	1	J, T, U		74	EZ0			[XAA]
		1	J, T, U		74	EZ0			[AHT,AHX,MLA,XAA]
	68078325AA	1	J, T, U		74	EZ0			[XAG]
	68078326AA	1	J, T, U		74	EXL, ERB			[XAG,XAN]
		1	J, T, U		74	ERB, EX0			[XAA]
		1	J, T, U		74	ERB, EXL			[XAG]
		1	J, T, U		74	EZ0			[XAA,XAN]
		1	J, T, U		74	EZ0			[XAG,XAN]
		1	J, T, U		74	ERB, EX0			[AHT,AHX,MLA,XAA]
5									RING, Decoupler, RPA Sensor
	68003932AA	4	J, T, U		74	EZ0			Rear
		6	J, T, U		74				Front
		4	J, T, U		74	ERB, EXL			Rear
6	56038890AD	1	J, T, U		74				MODULE, BLIND SPOT DETECTION
7									BRACKET, Module
	05057649AA	1	J, U		74				
		1	T		74				
8									SENSOR, Blind Spot Detection
	56038891AA	2	J, T, U		74	EZ0			Up to 01/10/2011
	56038942AA	2	J, T, U		74	EXF, EZH			After 01/17/2011
		2	J, T, U		74	ERB			After 01/17/2011
		2	J, T, U		74	ERB, EX0			Up to 01/10/2011

GRAND CHEROKEE (WK)

SERIES LINE
H = HIGHLINE T = JEEP - 2WD
P = PREMIUM J = JEEP - 4WD
S = SPORT U = JEEP - 4WD (RHD)

BODY
74 = SPORT UTILITY 4-DR TYPE #4

ENGINE
ERB = 3.0L V6 Engine
EZH = 5.7L V8 HEMI MDS VVT Engine
EXF = 3.0L V6 Turbo Diesel Engine

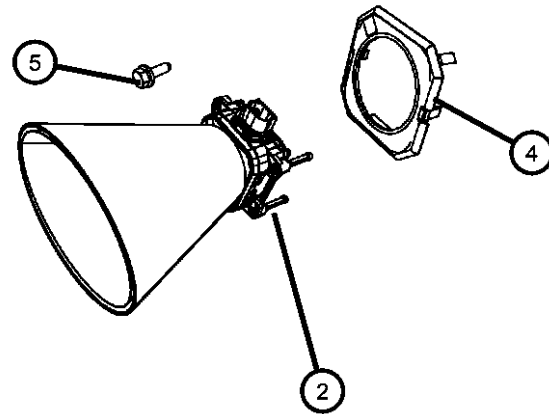
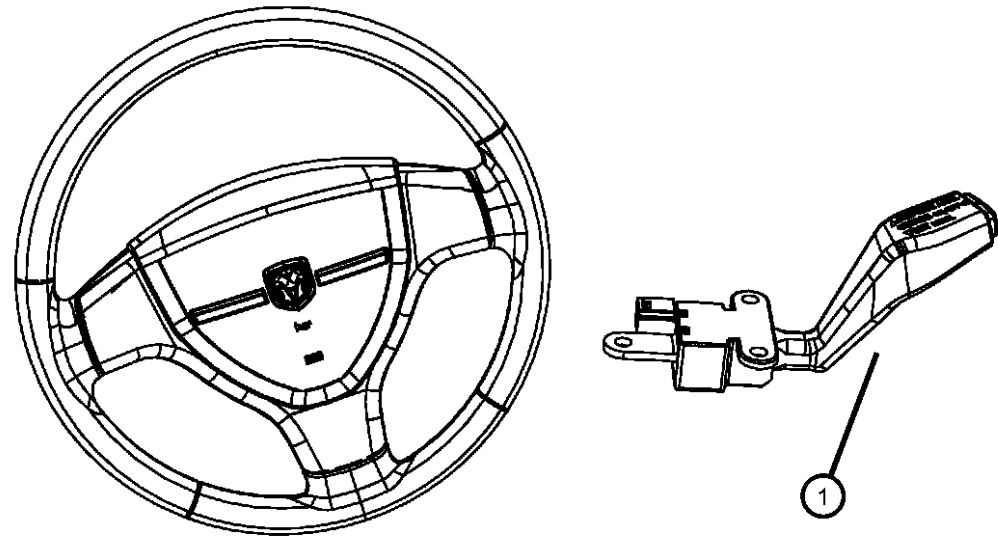
TRANSMISSION
DGQ = 5-Spd Automatic 545RFE Transmission
DGJ = 5-Speed Auto W5A580 Transmission

AR = use ase required - = Non illustrated part

2011 WK

**Speed Control
Figure 8-2705**

ITEM	PART NUMBER	QTY	LINE	SERIES	BODY	ENGINE	TRANS	TRIM	DESCRIPTION
1	56046095AA	1	J, T, U		74				SWITCH, Speed Control [NHP]
	56046094AC	1	J, T, U		74				[NHM]
2	56038911AE	1	J, T, U		74				SENSOR, Adaptive Speed Control Module
-3	56054208AA	1	J, T, U		74				CAP, Protective
4									COVER, Sensor
	56054167AB	1	J, T, U		74				After 6/21/10
	56054167AA	1	J, T, U		74				Up to 6/21/10
5	06501957	2	J, T, U		74				BOLT AND WASHER, Hex Head, M6X1.00X20.00
-6									BRACKET, Adaptive Cruise Control Export
	05165705AA	1	J, T, U		74				
	05165704AA	1	J, T, U		74				
-7	68085813AA	3	J, T, U		74				CLIP, Adaptive Cruise Control
-8									BAFFLE, Air Inlet Export
	05165707AA	1	J, T, U		74				
	05165706AA	1	J, T, U		74				



GRAND CHEROKEE (WK)

SERIES LINE
H = HIGHLINE T = JEEP - 2WD
P = PREMIUM J = JEEP - 4WD
S = SPORT U = JEEP - 4WD (RHD)

BODY
74 = SPORT UTILITY 4-DR
TYPE #4

ENGINE
ERB = 3.0L Mid V6 Engine
EZH = 5.7L V8 HEMI MDS
VVT Engine
EXF = 3.0L V6 Turbo Diesel
Engine

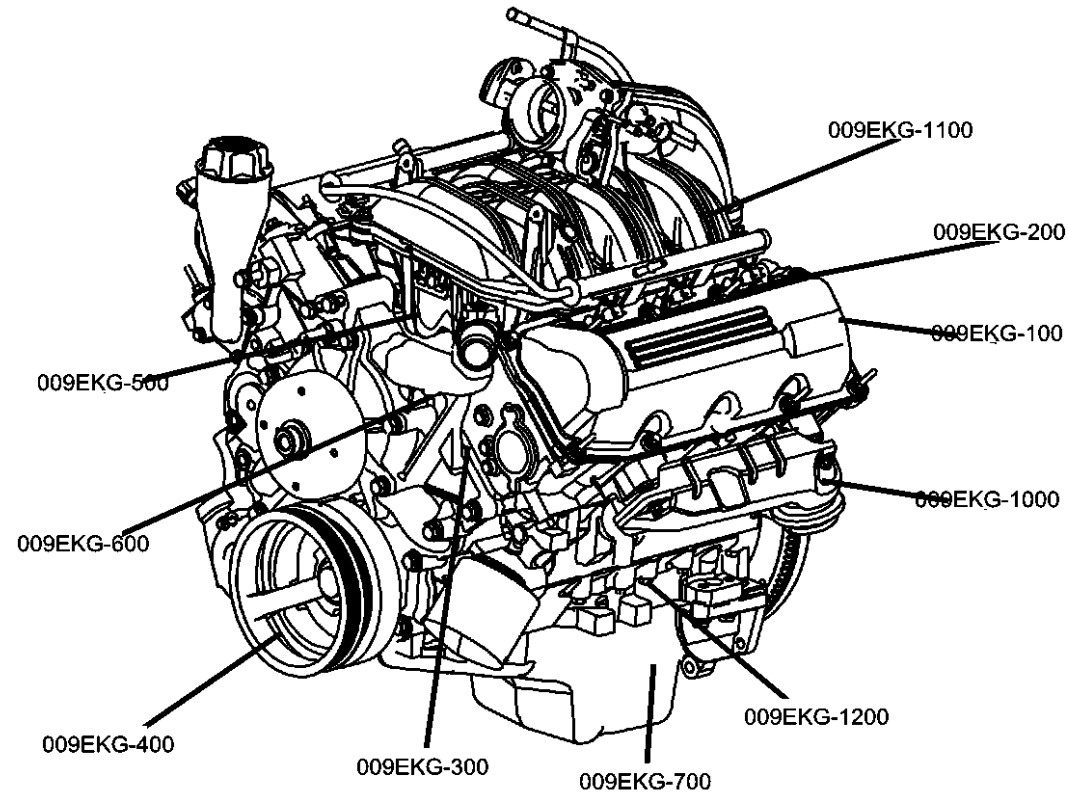
TRANSMISSION
DGQ = 5-Spd Automatic 545RFE
Transmission
DGJ = 5-Speed Auto W5A580
Transmission

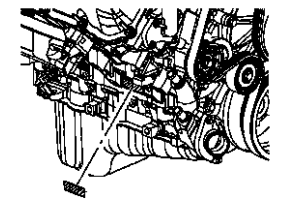
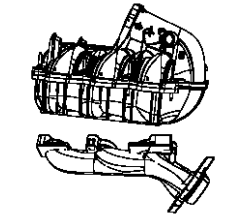

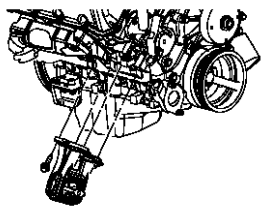
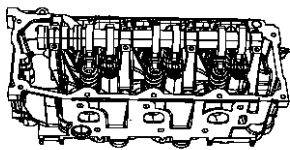
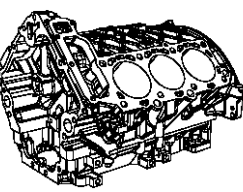
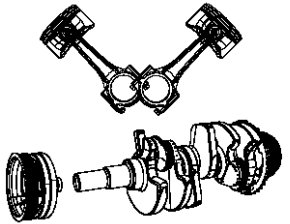
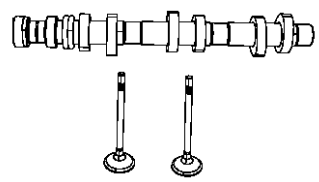
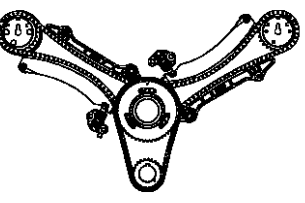
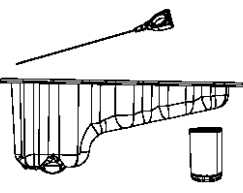
AR = use ase required - = Non illustrated part

2011 WK

Group - 009ERB

3.6L Gas; Engine



<p>009ERB-100 Engine Identification</p> 	<p>009ERB-1000 Manifolds and Vacuum Fittings</p> 	<p>009ERB-1100 Crankcase Ventilation</p> 	<p>009ERB-1200 Engine Mounting</p> 
<p>009ERB-200 Cylinder Head</p> 	<p>009ERB-300 Cylinder Block</p> 	<p>009ERB-400 Crankshaft, Piston, Drive Plate, Flywheel, and Damper</p> 	<p>009ERB-500 Camshaft and Valve</p> 
<p>009ERB-600 Timing Belt/Chain and Cover and Balance Shaft</p> 	<p>009ERB-700 Engine Oiling, Oil Pan and Indicator (Dipstick)</p> 		

Group - 009ERB 3.6L Gas; Engine

Illustration Title	Group-Fig. No.
Engine Identification	
Engine Identification 3.6L [ERB]	Fig. 009ERB - 105
Engine Assembly 3.6L [ERB].....	Fig. 009ERB - 115
Engine Cover And Related Parts 3.6L [ERB]	Fig. 009ERB - 125
Engine Gasket Kits 3.6L [ERB].....	Fig. 009ERB - 145
Cylinder Head	
Cylinder Head Covers 3.6L [ERB]	Fig. 009ERB - 205
Cylinder Heads 3.6L [ERB].....	Fig. 009ERB - 225
Cylinder Block	
Cylinder Block And Hardware 3.6L [ERB].....	Fig. 009ERB - 305
Engine Cylinder Block Heater 3.6L [ERB].....	Fig. 009ERB - 325
Crankshaft, Piston, Drive Plate, Flywheel, and Damper	
Crankshaft, Crankshaft Bearings, Damper And Flywheel 3.6L [ERB].....	Fig. 009ERB - 405
Piston, Piston Rings, Connecting Rods And Connecting Rod Bearings 3.6L [ERB]	Fig. 009ERB - 425
Camshaft and Valve	
Camshafts And Valvetrain 3.6L [ERB].....	Fig. 009ERB - 505
Timing Belt/Chain and Cover and Balance Shaft	
Timing Case Cover 3.6L [ERB]	Fig. 009ERB - 605
Timing System 3.6L [ERB]	Fig. 009ERB - 625
Engine Oiling, Oil Pan and Indicator (Dipstick)	
Engine Oil Pump 3.6L [ERB]	Fig. 009ERB - 705
Engine Oil Pan, Engine Oil Level Indicator & Related Parts 3.6L [ERB].....	Fig. 009ERB - 725
Engine Oil, Engine Oil Filter Adapter With/Without Oil Cooler 3.6L [ERB].....	Fig. 009ERB - 775
Manifolds and Vacuum Fittings	
Intake Manifold Plenum 3.6L [ERB].....	Fig. 009ERB - 1005
Lower Intake Manifold 3.6L [ERB]	Fig. 009ERB - 1065
Crankcase Ventilation	
Crankcase Ventilation 3.6L [ERB].....	Fig. 009ERB - 1105
Engine Mounting	
Engine Mounting Right Side RWD/2WD 3.6L [ERB]	Fig. 009ERB - 1220
Engine Mounting Right Side 4WD 3.6L [ERB]	Fig. 009ERB - 1225
Engine Mounting Left Side RWD/2WD 3.6L [ERB].....	Fig. 009ERB - 1235
Engine Mounting Left Side 4WD 3.6L [ERB].....	Fig. 009ERB - 1240

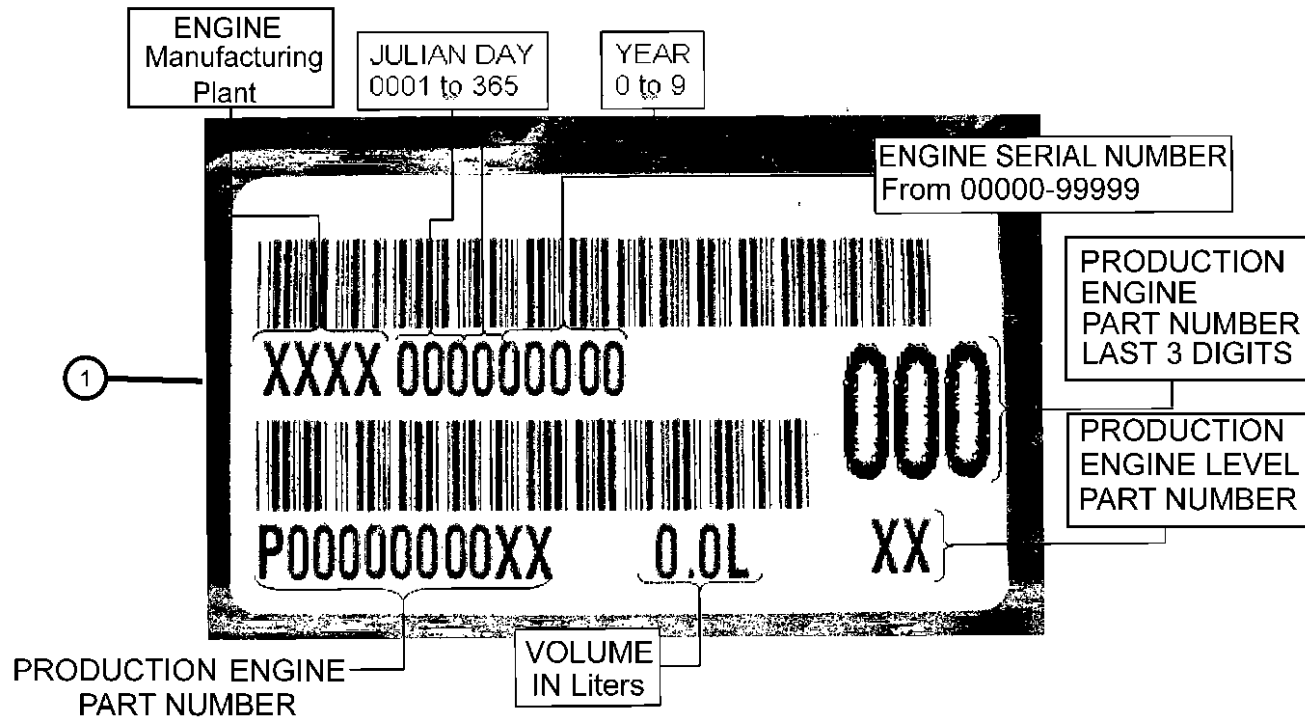
**Engine Identification 3.6L [ERB]
Figure 009ERB-105**

ITEM	PART NUMBER	QTY	LINE	SERIES	BODY	ENGINE	TRANS	TRIM	DESCRIPTION
------	-------------	-----	------	--------	------	--------	-------	------	-------------

The Engine Identification Label Is Attached To One Of The Cylinder Head Covers.
The Production Engine Part Number Is Not A Servicable Part Number.
A Engine Is Usally Serviced By A Long Block Or Short Block Engine.

1 1

LABEL, Engine Identification, See Note:, (NOT SERVICED)



GRAND CHEROKEE (WK)

SERIES LINE
H = HIGHLINE T = JEEP - 2WD
P = PREMIUM J = JEEP - 4WD
S = SPORT U = JEEP - 4WD (RHD)

BODY
74 = SPORT UTILITY 4-DR
TYPE #4

ENGINE
ERB = 3.XL Mid V6 Engine
EZH = 5.7L V8 HEMI MDS
VVT Engine
EXF = 3.0L V6 Turbo Diesel
Engine

TRANSMISSION
DGQ = 5-Spd Automatic 545RFE
Transmission
DGJ = 5-Speed Auto W5A580
Transmission

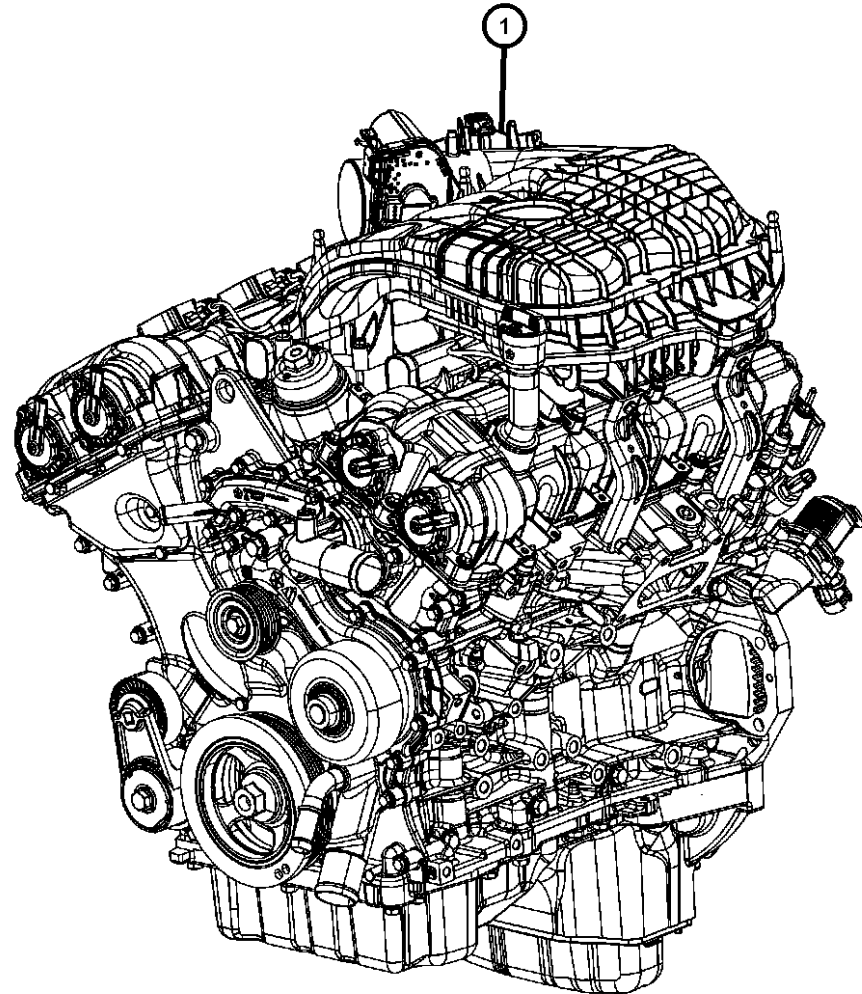
AR = use ase required - = Non illustrated part

2011 WK

**Engine Assembly 3.6L [ERB]
Figure 009ERB-115**

ITEM	PART NUMBER	QTY	LINE	SERIES	BODY	ENGINE	TRANS	TRIM	DESCRIPTION
------	-------------	-----	------	--------	------	--------	-------	------	-------------

1		1							ENGINE, Complete, (NOT SERVICED)
---	--	---	--	--	--	--	--	--	----------------------------------



GRAND CHEROKEE (WK)

SERIES	LINE
H = HIGHLINE	T = JEEP - 2WD
P = PREMIUM	J = JEEP - 4WD
S = SPORT	U = JEEP - 4WD (RHD)

BODY
74 = SPORT UTILITY 4-DR TYPE #4

ENGINE
ERB = 3.6L Mid V6 Engine
EZH = 5.7L V8 HEMI MDS VVT Engine
EXF = 3.0L V6 Turbo Diesel Engine

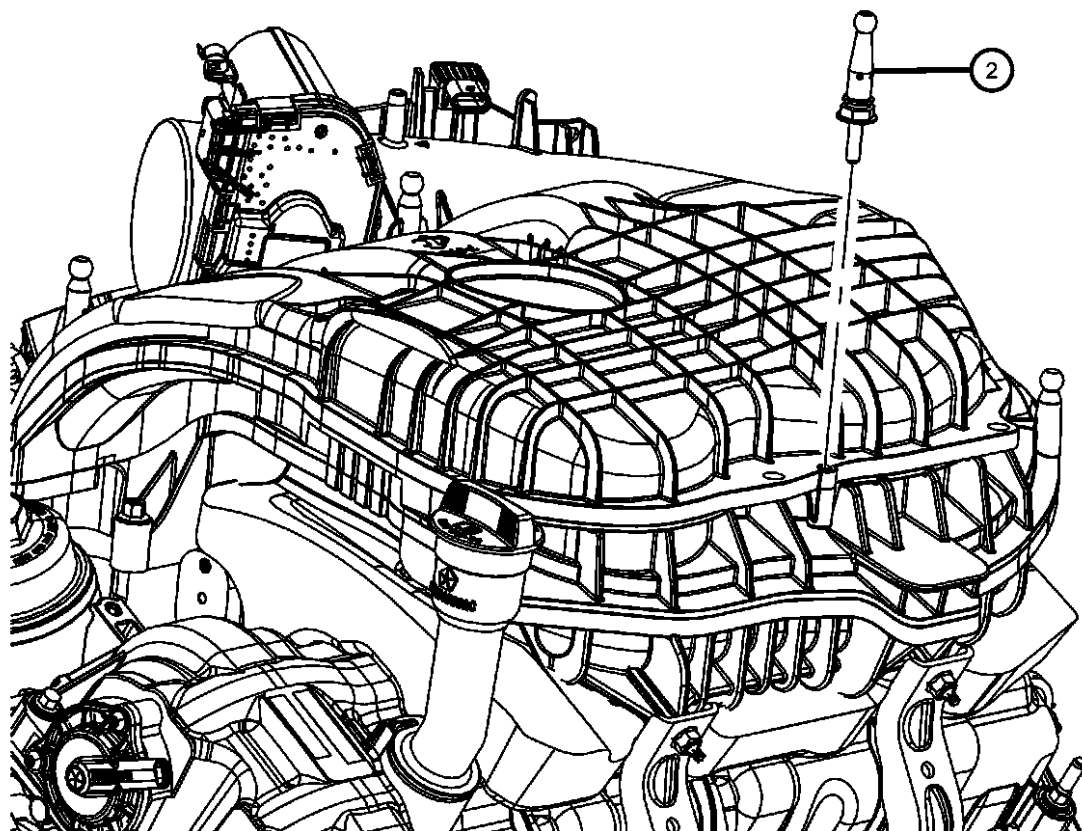
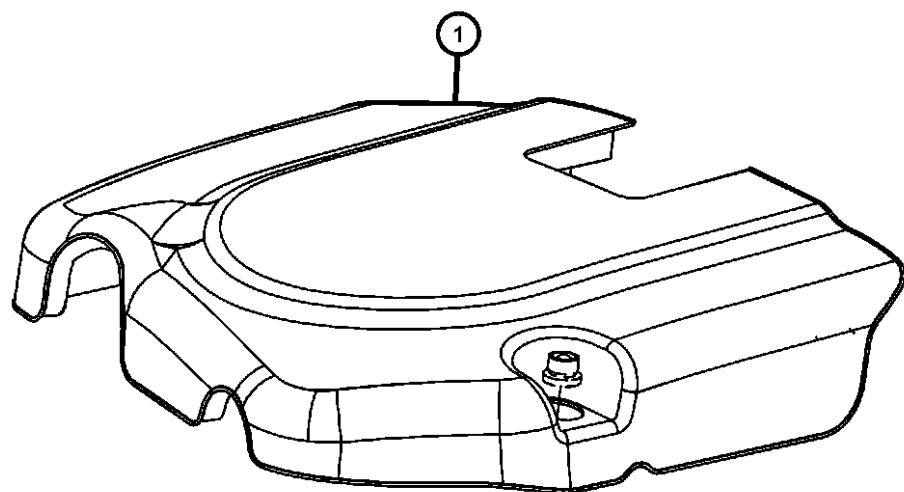
TRANSMISSION
DGQ = 5-Spd Automatic 545RFE Transmission
DGJ = 5-Speed Auto W5A580 Transmission

AR = use ase required - = Non illustrated part

2011 WK

**Engine Cover And Related Parts 3.6L [ERB]
Figure 009ERB-125**

ITEM	PART NUMBER	QTY	LINE	SERIES	BODY	ENGINE	TRANS	TRIM	DESCRIPTION
1	68022193AC	1	J, T, U			ERB			COVER, Engine
2	53013748AD	1	J, T, U			ERB			BALL STUD, 60X2.14X21.59



GRAND CHEROKEE (WK)

SERIES LINE
H = HIGHLINE T = JEEP - 2WD
P = PREMIUM J = JEEP - 4WD
S = SPORT U = JEEP - 4WD (RHD)

BODY
74 = SPORT UTILITY 4-DR
TYPE #4

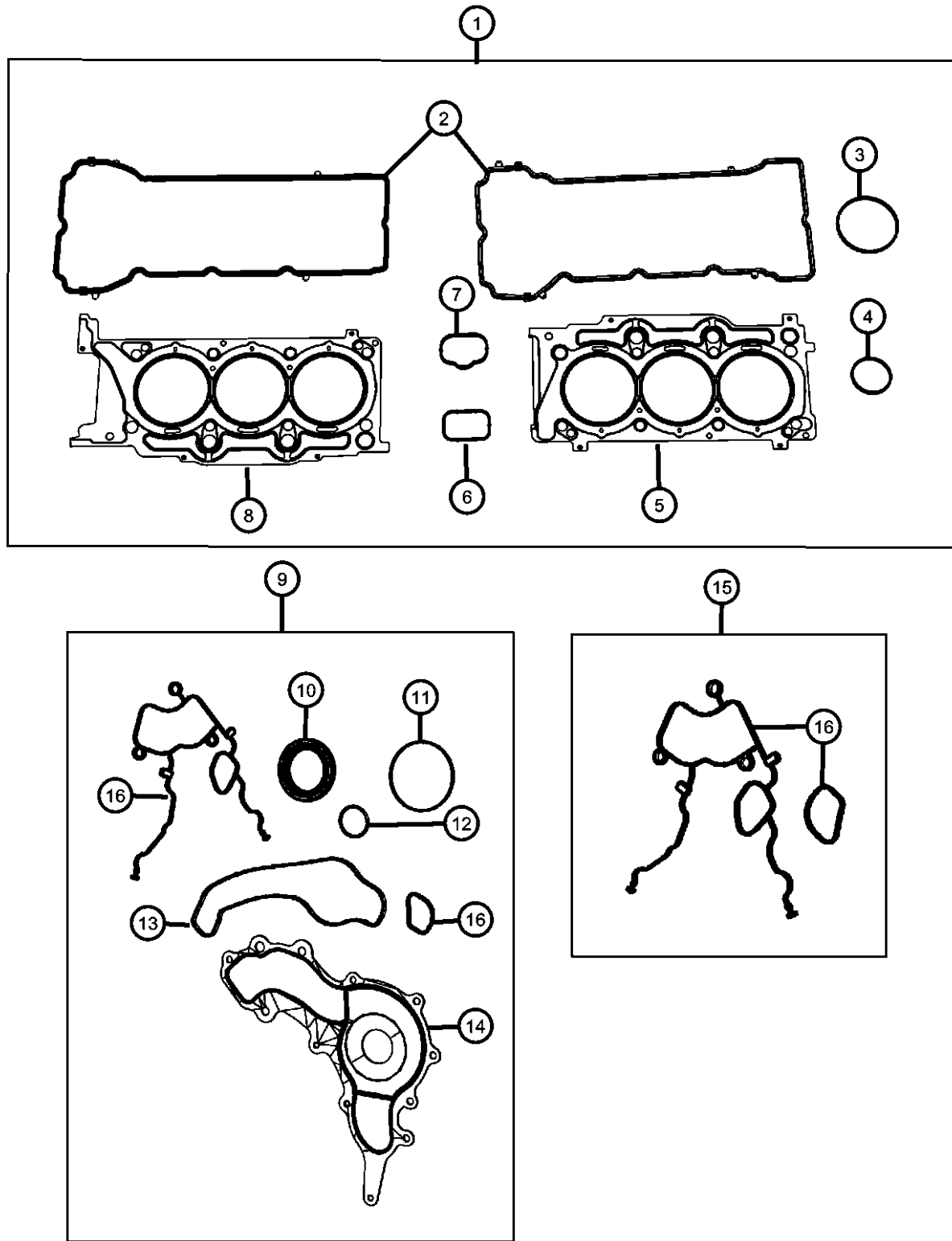
ENGINE
ERB = 3.6L Mid V6 Engine
EZH = 5.7L V8 HEMI MDS
VVT Engine
EXF = 3.0L V6 Turbo Diesel
Engine

TRANSMISSION
DGQ = 5-Spd Automatic 545RFE
Transmission
DGJ = 5-Speed Auto W5A580
Transmission

AR = use ase required - = Non illustrated part

2011 WK

**Engine Gasket Kits 3.6L [ERB]
Figure 009ERB-145**



ITEM	PART NUMBER	QTY	LINE	SERIES	BODY	ENGINE	TRANS	TRIM	DESCRIPTION
1	68078540AA	1	J, T, U			ERB	DGJ		GASKET KIT, Engine, Upper
2	05184595AE	1	J, T, U			ERB			GASKET, Cylinder head Cover Right Side
	05184596AE	1	J, T, U			ERB			Left Side
3	53032763AA	1	J, T, U			ERB			GASKET, Throttle Body
4									SEAL
	05184855AB	2	J, T, U			ERB			Cylinder Head Cover, Right Side
		2	J, T, U			ERB			Cylinder Head Cover, Left Side
5	05184456AG	1	J, T, U			ERB			GASKET, Cylinder Head, Right
6	05184562AC	6	J, T, U			ERB			GASKET, Intake Plenum
7	05184331AC	6	J, T, U			ERB			GASKET, Intake Manifold
8	05184455AG	1	J, T, U			ERB			GASKET, Cylinder Head, Left
9	68078554AC	1	J, T, U			ERB	DGJ		GASKET KIT, Engine, Lower
		1	J, T, U			ERB	DGJ		[NHA]
10	68079589AA	1	J, T, U			ERB			SEAL, Crankshaft Oil, Front
11	05184894AA	1	J, T, U			ERB			SEAL, Thermostat
12	05184908AA	1	J, T, U			ERB			O RINGOil Pickup Tube
13	05184454AD	1	J, T, U			ERB			GASKET, Crossover Water Outlet
14	05184321AD	1	J, T, U			ERB			GASKET, Water Pump
15	68078604AA	1	J, T, U			ERB			GASKET KIT, Chain Case Cover
16		1							GASKET, Chain Case Cover, Serviced In Item 9 or 15, (NOT SERVICED)

GRAND CHEROKEE (WK)

SERIES LINE
H = HIGHLINE T = JEEP - 2WD
P = PREMIUM J = JEEP - 4WD
S = SPORT U = JEEP - 4WD (RHD)

BODY
74 = SPORT UTILITY 4-DR
TYPE #4

ENGINE
ERB = 3.6L Mid V6 Engine
EZH = 5.7L V8 HEMI MDS
VVT Engine
EXF = 3.0L V6 Turbo Diesel
Engine

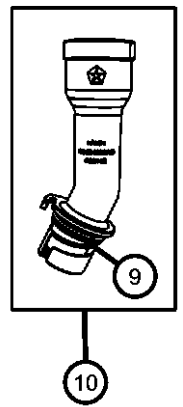
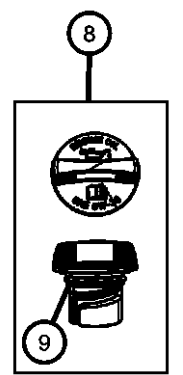
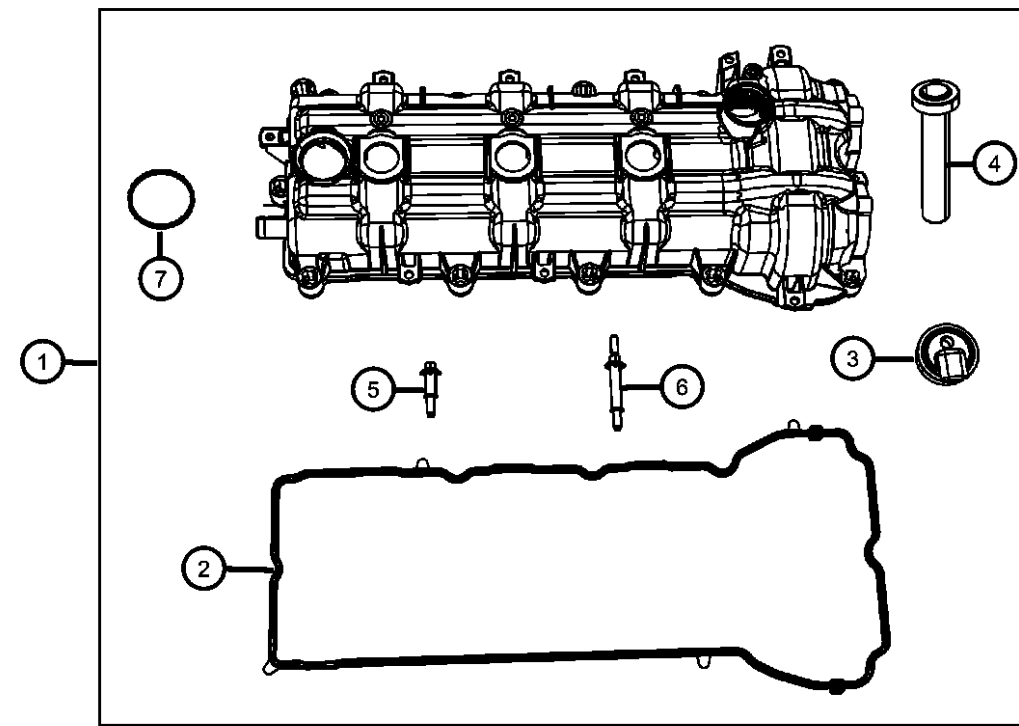
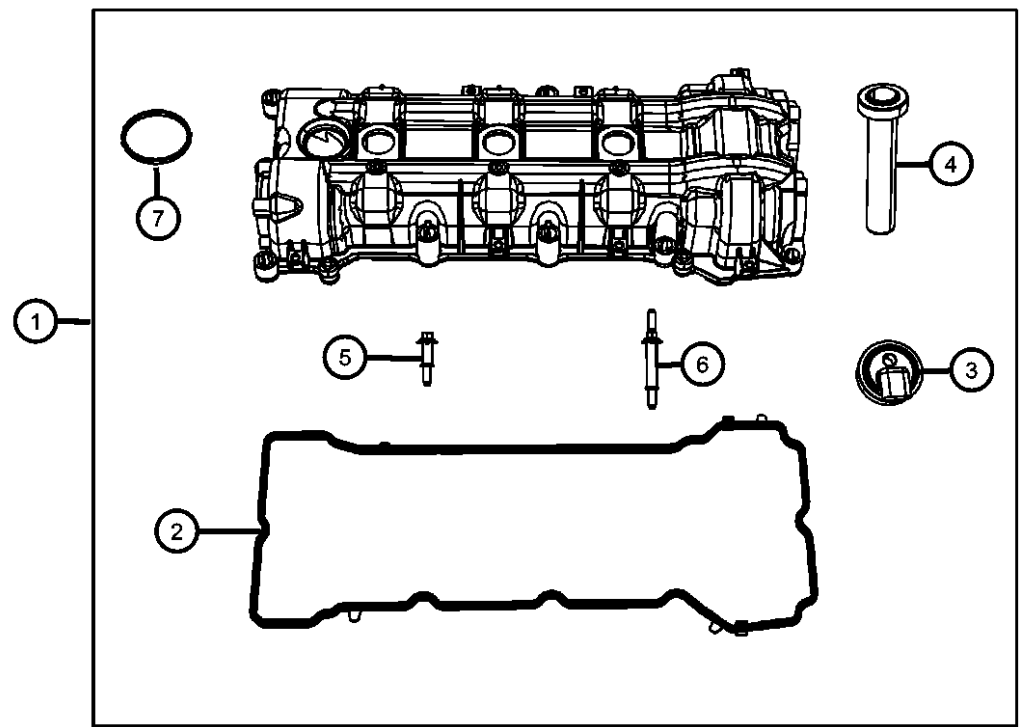
TRANSMISSION
DGQ = 5-Spd Automatic 545RFE
Transmission
DGJ = 5-Speed Auto W5A580
Transmission

AR = use ase required - = Non illustrated part

2011 WK

**Cylinder Head Covers 3.6L [ERB]
Figure 009ERB-205**

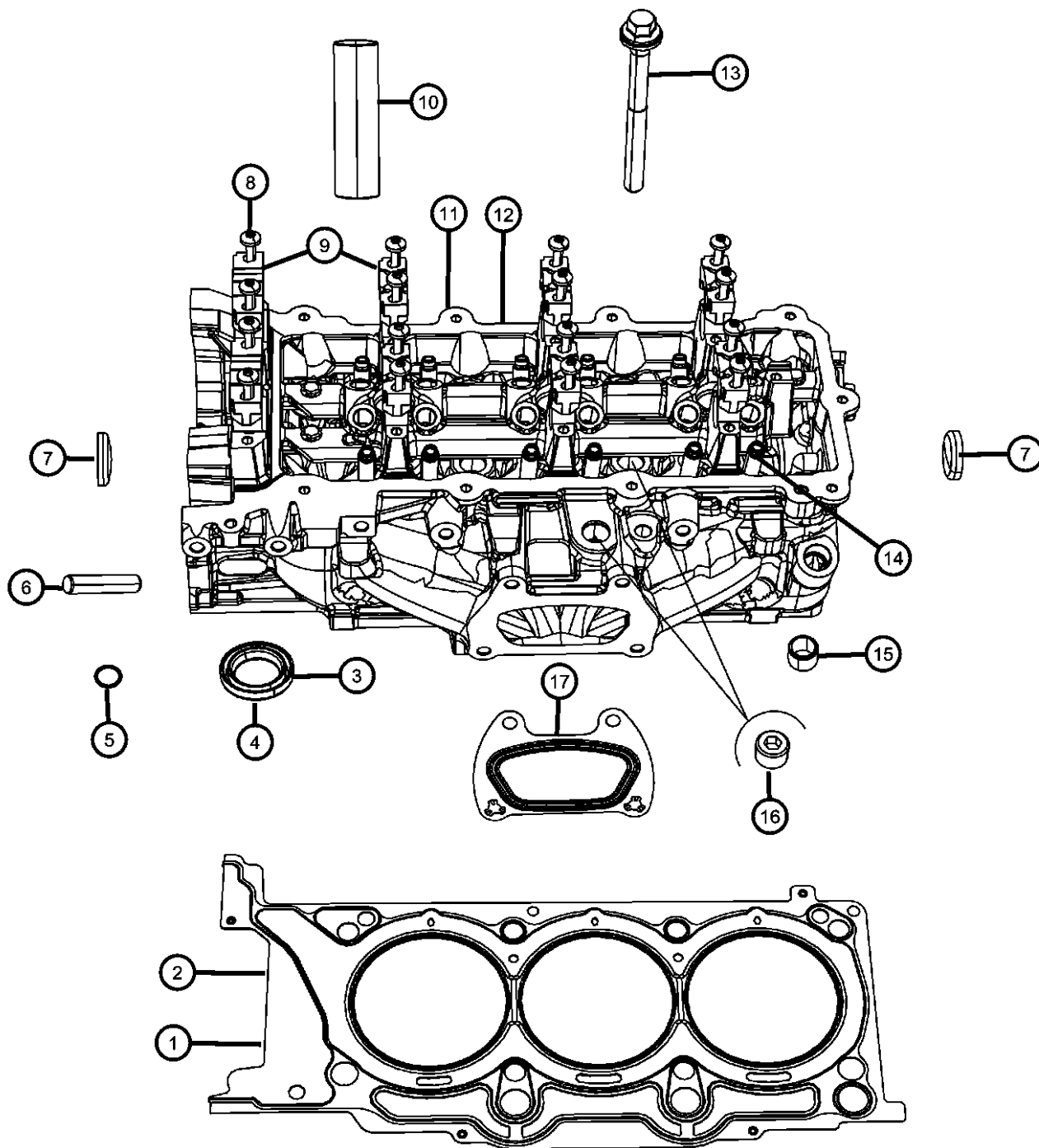
ITEM	PART NUMBER	QTY	LINE	SERIES	BODY	ENGINE	TRANS	TRIM	DESCRIPTION
1	05184068AI	1	J, T, U			ERB			COVER, Cylinder Head Right Side
	05184069AI	1	J, T, U			ERB			Left Side
2	05184595AE	1	J, T, U			ERB			GASKET, Cylinder head Cover Right Side
	05184596AE	1	J, T, U			ERB			Left Side
3	05184772AB	1	J, T, U			ERB			SEAL, Camshaft Sensor Right Side
		1	J, T, U			ERB			Left Side
4	05184778AB	3	J, T, U			ERB			GASKET, Spark Plug Well Left Side
		3	J, T, U			ERB			Right Side
5	06509451AA	10	J, T, U			ERB			BOLT, Hex Flange Head, M6X1.00X37.00 Cylinder Head Cover To Cylinder Head, Mounting Left Side
		9	J, T, U			ERB			Cylinder Head Cover To Cylinder Head, Mounting Right Side
6	06509450AA	2	J, T, U			ERB			STUD, Double Ended, M6-1.00X79.70 Cylinder Head Cover To Cylinder Head, Mounting Left Side
		3	J, T, U			ERB			Cylinder Head Cover To Cylinder Head, Mounting Right Side
7	05184855AB	2	J, T, U			ERB			SEAL Left Side
		2	J, T, U			ERB			Right Side
8	68068533AA	1	J, T, U			ERB			CAP, Oil Filler
9		1							O RING, Oil Filler Cap, Serviced With Oil Fill Cap, (NOT SERVICED)
10	05184999AC	1	J, T, U			ERB			TUBE, Oil Filler



GRAND CHEROKEE (WK)
 SERIES LINE BODY ENGINE TRANSMISSION
 H = HIGHLINE T = JEEP - 2WD 74 = SPORT UTILITY 4-DR ERB = 3.XL Mid V6 Engine DGQ = 5-Spd Automatic 545RFE
 P = PREMIUM J = JEEP - 4WD TYPE #4 EZH = 5.7L V8 HEMI MDS Transmission
 S = SPORT U = JEEP - 4WD (RHD) EXF = 3.0L V6 Turbo Diesel VVT Engine DGJ = 5-Speed Auto W5A580
 Engine Transmission

AR = use ase required - = Non illustrated part

**Cylinder Heads 3.6L [ERB]
Figure 009ERB-225**



ITEM	PART NUMBER	QTY	LINE	SERIES	BODY	ENGINE	TRANS	TRIM	DESCRIPTION
1	05184456AG	1	J, T, U			ERB			GASKET, Cylinder Head, Right/Right Side
2	05184455AG	1	J, T, U			ERB			GASKET, Cylinder Head, Left/Left Side
3		1							SEAT, Exhaust Valve, Serviced With Cylinder Head, (NOT SERVICED)
4		1							SEAT, Intake Valve, Serviced With Cylinder Head, (NOT SERVICED)
5	1601110000	1	J, T, U			ERB			BALL, Main Oil Gallery
6		1							PIN, Serviced With Cylinder Head, (NOT SERVICED)
7									PLUG, Core, 1.25 Diameter
	04556020AB	1	J, T, U			ERB			Right Cylinder Head
		1	J, T, U			ERB			Left Cylinder Head
8									SCREW, Pan Head
	06509455AA	16	J, T, U			ERB			Camshaft Bearing Cap To Cylinder Head, Mounting Right Side
		16	J, T, U			ERB			Camshaft Bearing Cap To Cylinder Head, Mounting Left Side
9		16							CAP, Camshaft Bearing, Serviced With Cylinder Head, (NOT SERVICED),
10	05184436AD	6	J, T, U			ERB			TUBE, Spark Plug
11									HEAD, Cylinder, Right
	05184516AG	1	J, T, U			ERB			Includes : Valve Seats, Valve Guides, Camshaft Bearing Caps, Freeze Plugs, Pipe Plugs, Main Oil Gallery Ball Bearings, Camshaft Cap Bolts, Timing Chain Guide Dowel Pin
	RL184516AH	1				ERB			Includes : Valve Seats, Valve Guides, Camshaft Bearing Caps, Freeze Plugs, Pipe Plugs, Main Oil Gallery Ball Bearings, Camshaft Cap Bolts, Timing Chain Guide Dowel Pin
12									HEAD, Cylinder, Left

GRAND CHEROKEE (WK)

SERIES LINE
H = HIGHLINE T = JEEP - 2WD
P = PREMIUM J = JEEP - 4WD
S = SPORT U = JEEP - 4WD (RHD)

BODY
74 = SPORT UTILITY 4-DR
TYPE #4

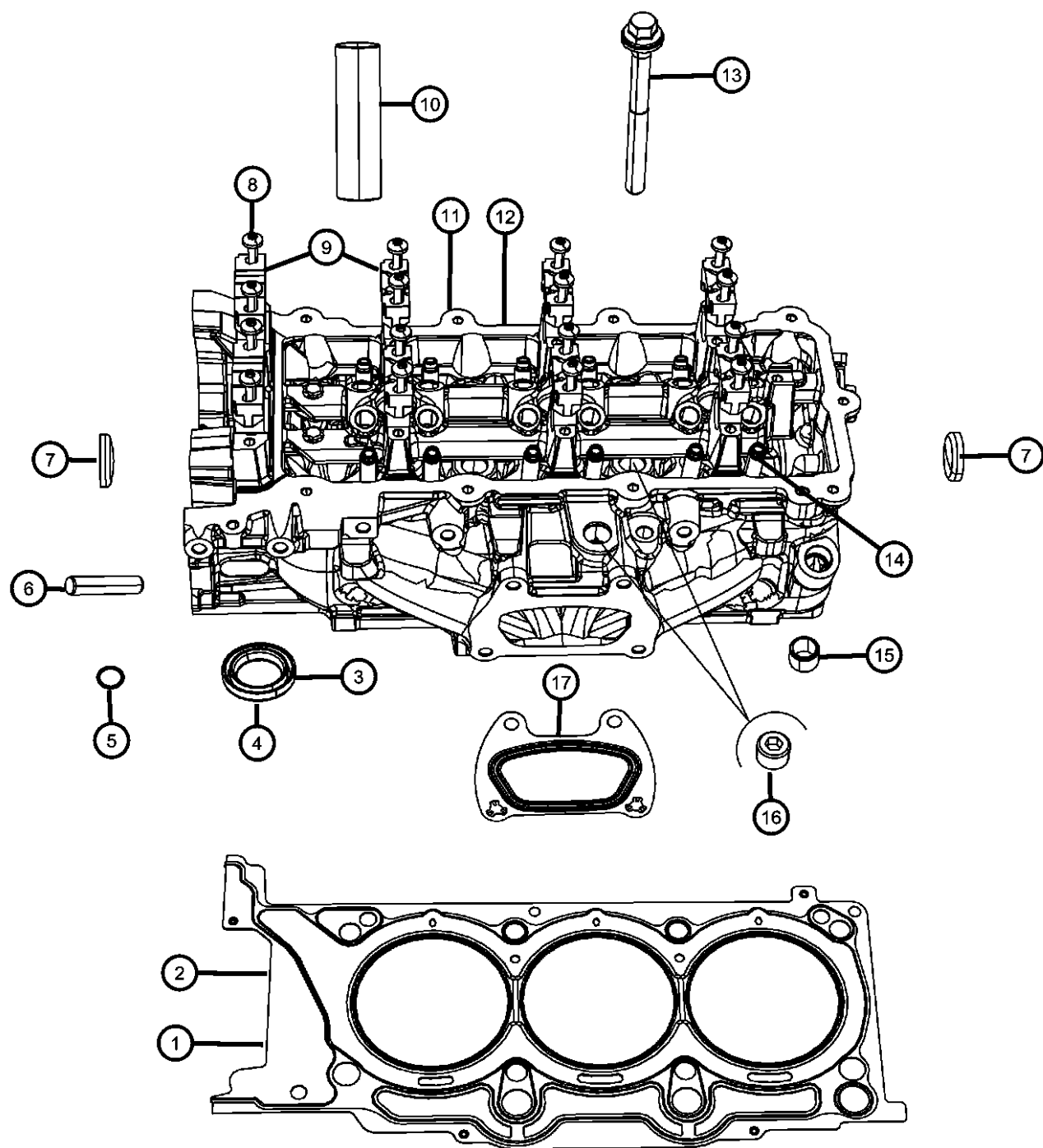
ENGINE
ERB = 3.6L Mid V6 Engine
EZH = 5.7L V8 HEMI MDS
VVT Engine
EXF = 3.0L V6 Turbo Diesel
Engine

TRANSMISSION
DGQ = 5-Speed Automatic 545RFE
Transmission
DGJ = 5-Speed Auto W5A580
Transmission

AR = use ase required - = Non illustrated part

2011 WK

**Cylinder Heads 3.6L [ERB]
Figure 009ERB-225**



ITEM	PART NUMBER	QTY	LINE	SERIES	BODY	ENGINE	TRANS	TRIM	DESCRIPTION
	05184451AG	1	J, T, U			ERB			Includes : Valve Seats, Valve Guides, Camshaft Bearing Caps, Freeze Plugs, Pipe Plugs, Main Oil Gallery Ball Bearings, Camshaft Cap Bolts
	RL184451AH	1				ERB			Includes : Valve Seats, Valve Guides, Camshaft Bearing Caps, Freeze Plugs, Pipe Plugs, Main Oil Gallery Ball Bearings, Camshaft Cap Bolts
13	06509564AA	16	J, T, U			ERB			BOLT AND WASHER, Hex Head, Cylinder Head To Cylinder Block, Mounting
14		16							GUIDE, Valve, Serviced With Cylinder Head, (NOT SERVICED)
15	05240849	4	J, T, U			ERB			DOWEL PIN, Cylinder Head To Cylinder Block, Mounting
16									PLUG, Core
	06036308AA	3	J, T, U			ERB			Right Cylinder Head
		3	J, T, U			ERB			Left Cylinder Head
17	05184214AE	2	J, T, U			ER0			GASKET, Exhaust Manifold

GRAND CHEROKEE (WK)

SERIES LINE
H = HIGHLINE T = JEEP - 2WD
P = PREMIUM J = JEEP - 4WD
S = SPORT U = JEEP - 4WD (RHD)

BODY
74 = SPORT UTILITY 4-DR
TYPE #4

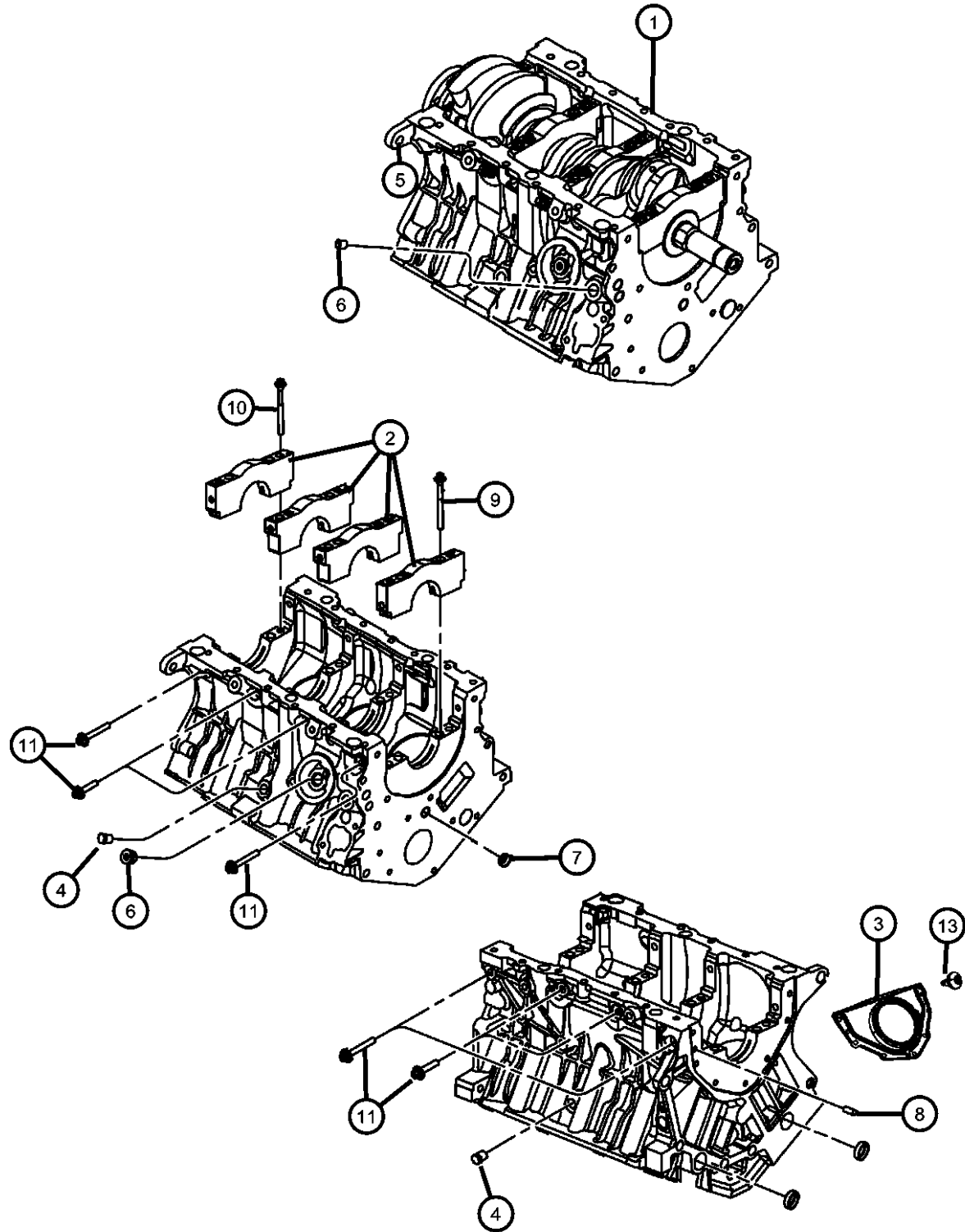
ENGINE
ERB = 3.0L Mid V6 Engine
EZH = 5.7L V8 HEMI MDS
VVT Engine
EXF = 3.0L V6 Turbo Diesel
Engine

TRANSMISSION
DGQ = 5-Spd Automatic 545RFE
Transmission
DGJ = 5-Speed Auto W5A580
Transmission

AR = use ase required - = Non illustrated part

2011 WK

**Cylinder Block And Hardware 3.6L [ERB]
Figure 009ERB-305**



ITEM	PART NUMBER	QTY	LINE	SERIES	BODY	ENGINE	TRANS	TRIM	DESCRIPTION
------	-------------	-----	------	--------	------	--------	-------	------	-------------

Short Block Engine Contains All Lower Parts, Crankshaft, Pistons ETC.
It does NOT Include Any Upper Parts Camshaft, Lifters, Cylinder Heads, Intake Manifold ETC.

1	RL078539AA	1	J, T, U			ERB			ENGINE, Short Block, See Note
2		1							CAP, Main, Serviced In Short Block Engine, (NOT SERVICED)
3	68078786AA	1	J, T, U			ERB			RETAINER AND SEAL, Crankshaft Rear Oil
4	06036308AA	3	J, T, U			ERB			PLUG, Core
5	06102439AA	2	J, T, U			ERB			DOWEL, Transmission To Cylinder Block, Mounting
6	05097712AB	2	J, T, U						PLUG, Oil Drain, Oil Gallery
7	04556020AB	1	J, T, U			ERB			PLUG, Core, 1.25 Diameter
8		1							PIN, (NOT SERVICED)
9	06509563AA	8	J, T, U			ERB			BOLT, Hex Flange Head, M11X1.50X94.00, Main Bearing Cap To Cylinder Block, Inner, Mounting
10	06509565AA	8	J, T, U			ERB			BOLT, Hex Flange Head, Main Bearing Cap To Cylinder Block, Outer, Mounting
11	06509170AA	7	J, T, U			ERB			BOLT, Hex Flange Head
	06509171AA	1	J, T, U			ERB			Main Bearing Cross To Cylinder Block, Mounting
	06509171AA	1	J, T, U			ERB			Main Bearing Cross Bar To Cylinder Block, Mounting
-12	05184110AE	3	J, T, U			ERB			JET, Piston Oil Cooler
13	06104136AA	3	J, T, U			ERB			BOLT, Pan Head, M5x.08x16.00, Piston Oil Cooler Jet To Cylinder Block, Mounting

GRAND CHEROKEE (WK)

SERIES LINE
H = HIGHLINE T = JEEP - 2WD
P = PREMIUM J = JEEP - 4WD
S = SPORT U = JEEP - 4WD (RHD)

BODY
74 = SPORT UTILITY 4-DR
TYPE #4

ENGINE
ERB = 3.6L Mid V6 Engine
EZH = 5.7L V8 HEMI MDS
VVT Engine
EXF = 3.0L V6 Turbo Diesel
Engine

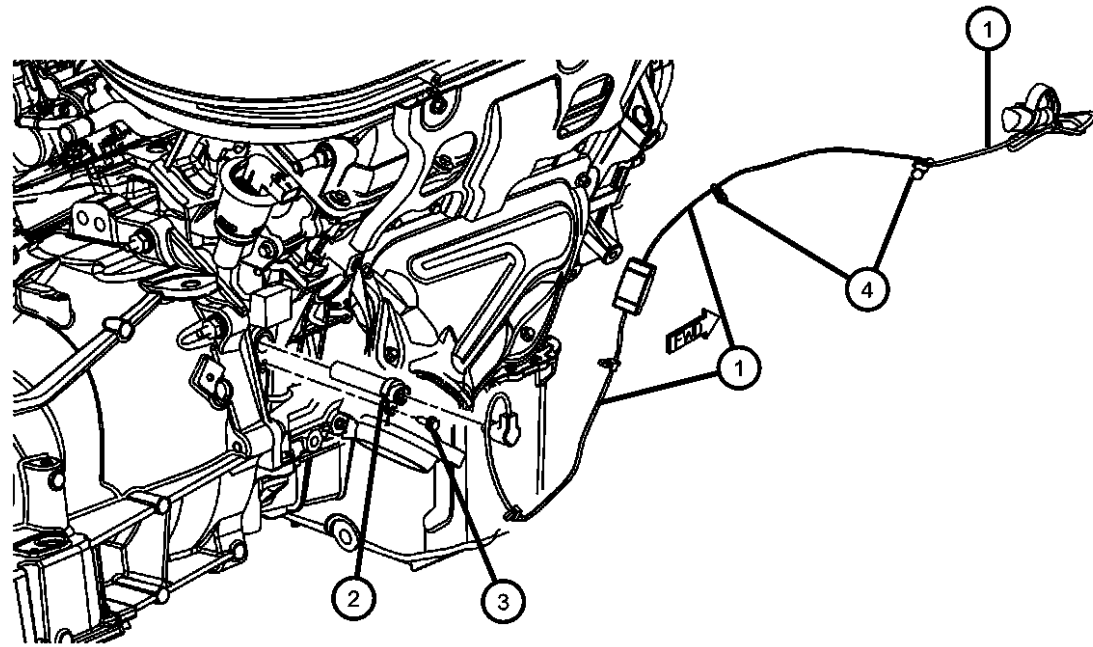
TRANSMISSION
DGQ = 5-Speed Automatic 545RFE
Transmission
DGJ = 5-Speed Auto W5A580
Transmission

AR = use ase required - = Non illustrated part

2011 WK

**Engine Cylinder Block Heater 3.6L [ERB]
Figure 009ERB-325**

ITEM	PART NUMBER	QTY	LINE	SERIES	BODY	ENGINE	TRANS	TRIM	DESCRIPTION
1	68070033AA	1	J, T, U			ERB			CORD, Engine Block Heater
2	04609325AB	1	J, T, U			ERB			HEATER, Engine Block
3	06501957	1	J, T			ERB			BOLT AND WASHER, Hex Head, M6X1.00X20.00, Heater To Engine Block, Mounting
4		1							TIE STRAP, Serviced With Engine Block Heater Cord, (NOT SERVICED)



GRAND CHEROKEE (WK)

SERIES LINE
H = HIGHLINE T = JEEP - 2WD
P = PREMIUM J = JEEP - 4WD
S = SPORT U = JEEP - 4WD (RHD)

BODY
74 = SPORT UTILITY 4-DR
TYPE #4

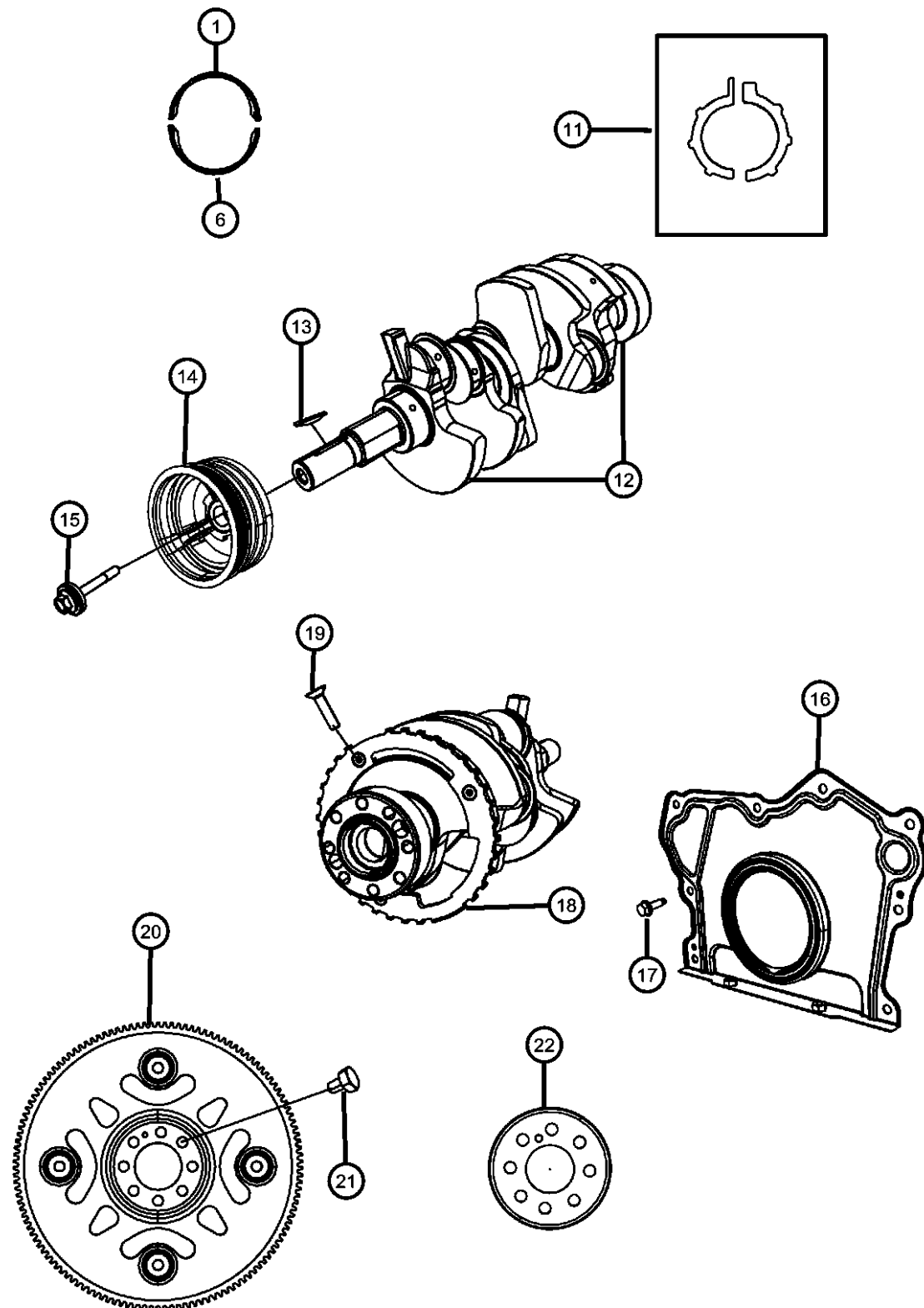
ENGINE
ERB = 3.6L Mid V6 Engine
EZH = 5.7L V8 HEMI MDS
VVT Engine
EXF = 3.0L V6 Turbo Diesel
Engine

TRANSMISSION
DGQ = 5-Spd Automatic 545RFE
Transmission
DGJ = 5-Speed Auto W5A580
Transmission

AR = use ase required - = Non illustrated part

2011 WK

**Crankshaft, Crankshaft Bearings, Damper And Flywheel 3.6L [ERB]
Figure 009ERB-405**



ITEM	PART NUMBER	QTY	LINE	SERIES	BODY	ENGINE	TRANS	TRIM	DESCRIPTION
For Crankshaft Identification, Stamping Location And Bearing Information Refer To The Service Manual. For Bearing Selection Sizes Please Refer To Service Manual Group 9, Bearings Crankshaft Main, [Select Fit Identification]									
1	05184105AG	AR	J, T, U			ERB			BEARING, Crankshaft Upper, Standard, See Note
-2	05184106AG	AR	J, T, U			ERB			BEARING, Crankshaft Upper, -.0036mm, See Note
-3	05184107AG	AR	J, T, U			ERB			BEARING, Crankshaft Upper, -.0072mm, See Note
-4	05184104AG	AR	J, T, U			ERB			BEARING, Crankshaft Upper, +.0036mm, See Note
-5	05184103AG	AR	J, T, U			ERB			BEARING, Crankshaft Upper, +.0072mm, See Note
6	05184088AF	AR	J, T, U			ERB			BEARING, Crankshaft Lower, Standard, See Note
-7	05184089AF	AR	J, T, U			ERB			BEARING, Crankshaft Lower, -.0036mm, See Note
-8	05184090AF	AR	J, T, U			ERB			BEARING, Crankshaft Lower, -.0072mm, See Note
-9	05184087AF	AR	J, T, U			ERB			BEARING, Crankshaft Lower, +.0036mm, See Note
-10	05184086AF	AR	J, T, U			ERB			BEARING, Crankshaft Lower, +.0072mm, See Note
11	05184129AG	2	J, T, U			ERB			BEARING, Thrust
12	05184251AE	1	J, T, U			ERB			CRANKSHAFT
13	06509258AA	1	J, T, U			ERB			KEY, Woodruff
14	05184293AC	1	J, T, U			ERB			DAMPER, Crankshaft
15	06509148AA	1	J, T, U			ERB			BOLT, Hex Flange Head, M16X1.50X60.00, Vibration Damper To Crankshaft, Mounting
16	68078786AA	1	J, T, U			ERB			RETAINER AND SEAL, Crankshaft Rear Oil
17	06105037AA	8	J, T, U			ERB			SCREW, Hex Flange Head, M6x1.00x20.00, Rear Oil Seal Retainer To Cylinder Block, Mounting
18		8							TONE RING, Sensor, Serviced With Crankshaft, (NOT SERVICED)
19	06509338AA	4	J, T, U			ERB			BOLT, Hex Flange Head, M6X1.00X19.00, Crankshaft Sensor Tone Ring, Mounting
20	04752463AB	1	J, T, U			ERB	DGJ		PLATE, Torque Converter Drive
21	06503465	8	J, T, U			ERB	DGJ		BOLT, Hex Head Lock, M10X1.00X18.00, Torque Converter Drive Plate To Crankshaft, Mounting
22	04752465AA	1	J, T, U			ERB	DGJ		PLATE, Flexplate Backing

GRAND CHEROKEE (WK)

SERIES LINE
H = HIGHLINE T = JEEP - 2WD
P = PREMIUM J = JEEP - 4WD
S = SPORT U = JEEP - 4WD (RHD)

BODY
74 = SPORT UTILITY 4-DR
TYPE #4

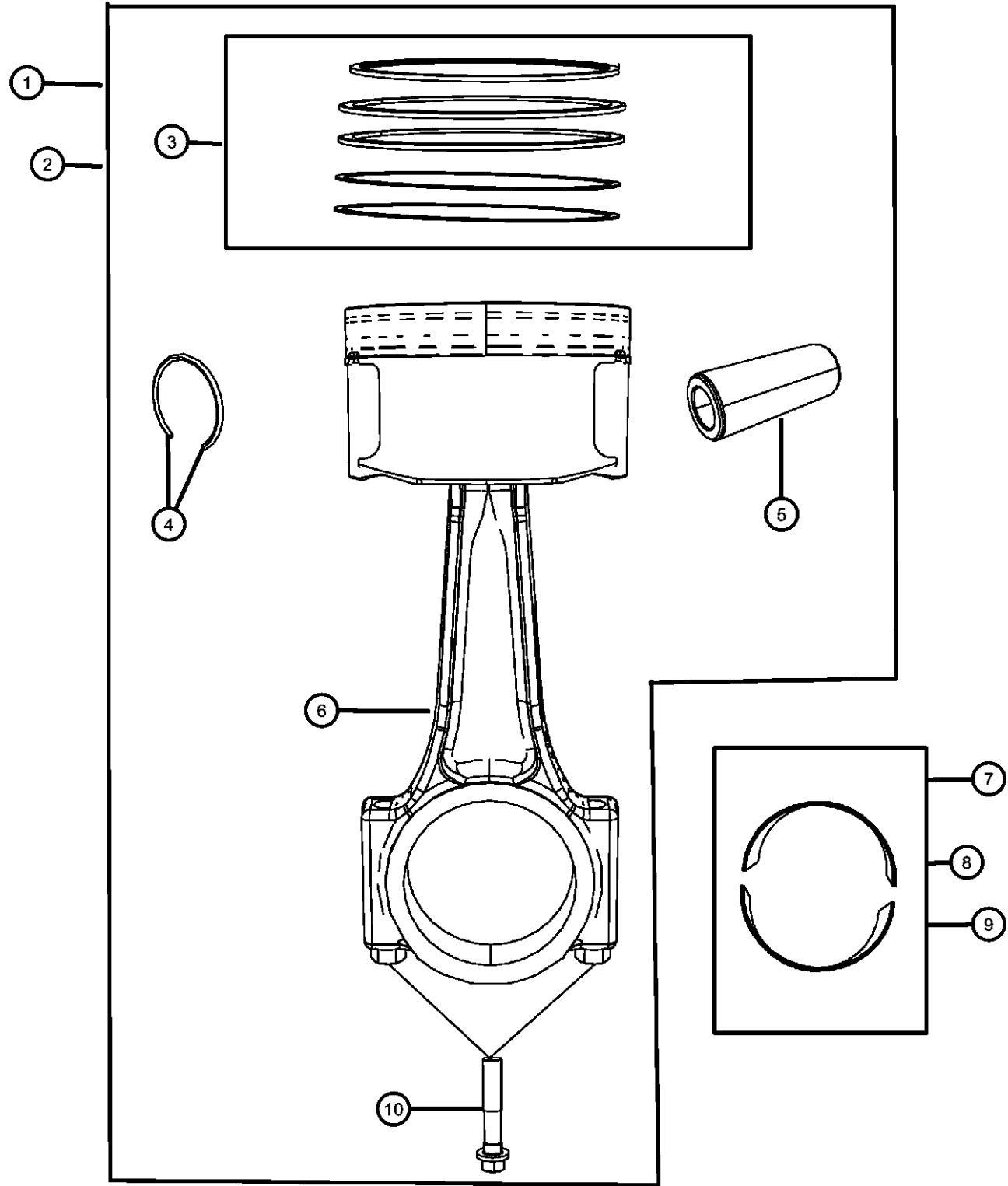
ENGINE
ERB = 3.XL Mid V6 Engine
EZH = 5.7L V8 HEMI MDS
VVT Engine
EXF = 3.0L V6 Turbo Diesel
Engine

TRANSMISSION
DGQ = 5-Speed Automatic 545RFE
Transmission
DGJ = 5-Speed Auto W5A580
Transmission

AR = use ase required - = Non illustrated part

2011 WK

**Piston, Piston Rings, Connecting Rods And Connecting Rod Bearings 3.6L [ERB]
Figure 009ERB-425**



ITEM	PART NUMBER	QTY	LINE	SERIES	BODY	ENGINE	TRANS	TRIM	DESCRIPTION
For Crankshaft Identification, Stamping Location And Bearing Information Refer To The Service Manual. For Bearing Selection Sizes Please Refer To Service Manual Group 9, Bearings Crankshaft Main, [Select Fit Identification]									
1	05184347AF	AR	J, T, U			ERB			PISTON PIN AND ROD, Grade 1, See Note
2	05184503AF	AR	J, T, U			ERB			PISTON PIN AND ROD, Grade 2, See Note
3	68078776AA	1	J, T, U			ERB	DGJ		PISTON RING SET, COMPLETE ENGINE, STD.
4		1							RING, Piston Pin, Serviced With Item 1 Or 2, (NOT SERVICED)
5		1							PIN, Piston, Serviced With Item 1 Or 2, (NOT SERVICED)
6		1							ROD, Connecting, Serviced With Item 1 Or 2, (NOT SERVICED)
7	05184112AF	AR	J, T, U			ERB			BEARING, Connecting Rod, STD., See Note
8	05184113AF	AR	J, T, U			ERB			BEARING, Connecting Rod, -.003mm, See Note
9	05184111AF	AR	J, T, U			ERB			BEARING, Connecting Rod, +.003mm, See Note
10	06509128AA	AR	J, T, U			ERB			BOLT, Connecting Rod

GRAND CHEROKEE (WK)

SERIES LINE
 H = HIGHLINE T = JEEP - 2WD
 P = PREMIUM J = JEEP - 4WD
 S = SPORT U = JEEP - 4WD (RHD)

BODY
 74 = SPORT UTILITY 4-DR
 TYPE #4

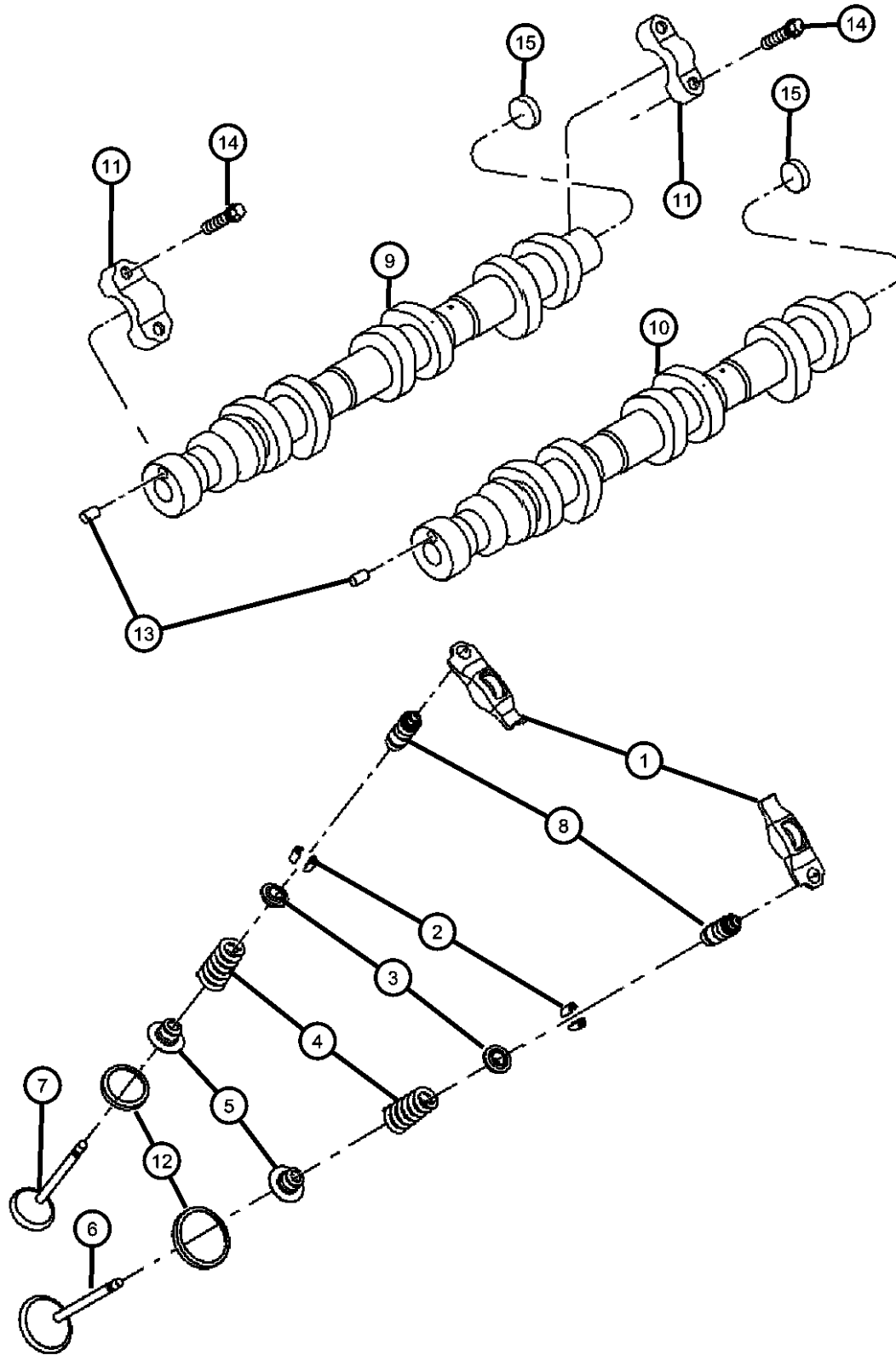
ENGINE
 ERB = 3.0L Mid V6 Engine
 EZH = 5.7L V8 HEMI MDS
 VVT Engine
 EXF = 3.0L V6 Turbo Diesel
 Engine

TRANSMISSION
 DGQ = 5-Spd Automatic 545RFE
 Transmission
 DGJ = 5-Speed Auto W5A580
 Transmission

AR = use ase required - = Non illustrated part

2011 WK

**Camshafts And Valvetrain 3.6L [ERB]
Figure 009ERB-505**



ITEM	PART NUMBER	QTY	LINE	SERIES	BODY	ENGINE	TRANS	TRIM	DESCRIPTION
1	05184296AE	24	J, T, U			ERB			ROCKER ARM, Valve
2	04663722	48	J, T, U			ERB			LOCK, Valve Spring Retainer
3	05184126AB	24	J, T, U			ERB			RETAINER, Valve Spring
4	05184060AN	24	J, T, U			ERB			SPRING, Valve
5	05184168AB	24	J, T, U			ERB			SEAL, Valve Guide
6	05184127AC	12	J, T, U			ERB			VALVE, Intake, Standard
7	05184128AD	12	J, T, U			ERB			VALVE, Exhaust, Standard
8	05184332AA	24	J, T, U			ERB			ADJUSTER, Valve Lash
9									CAMSHAFT, Intake
	05184379AE	1	J, T, U			ERB			Left Side
	05184380AE	1	J, T, U			ERB			Right Side
10									CAMSHAFT, Exhaust
	05184377AE	1	J, T, U			ERB			Left Side
	05184378AE	1	J, T, U			ERB			Right Side
11		1							CAP, Camshaft Bearing, Serviced With Cylinder Head Only, (NOT SERVICED)
12	05184167AB	24	J, T, U			ERB			SEAT, Valve Spring
13		24							DOWEL PIN, [M6X14.00] Serviced With Camshaft, (NOT SERVICED)
14									SCREW, Pan Head
	06509455AA	16	J, T, U			ERB			Camshaft Bearing Cap To Cylinder Head, Mounting Right Side
		16	J, T, U			ERB			Camshaft Bearing Cap To Cylinder Head, Mounting Left Side
15	68068751AA	4	J, T, U			ERB			PLUG, Camshaft

GRAND CHEROKEE (WK)

SERIES LINE
H = HIGHLINE T = JEEP - 2WD
P = PREMIUM J = JEEP - 4WD
S = SPORT U = JEEP - 4WD (RHD)

BODY
74 = SPORT UTILITY 4-DR
TYPE #4

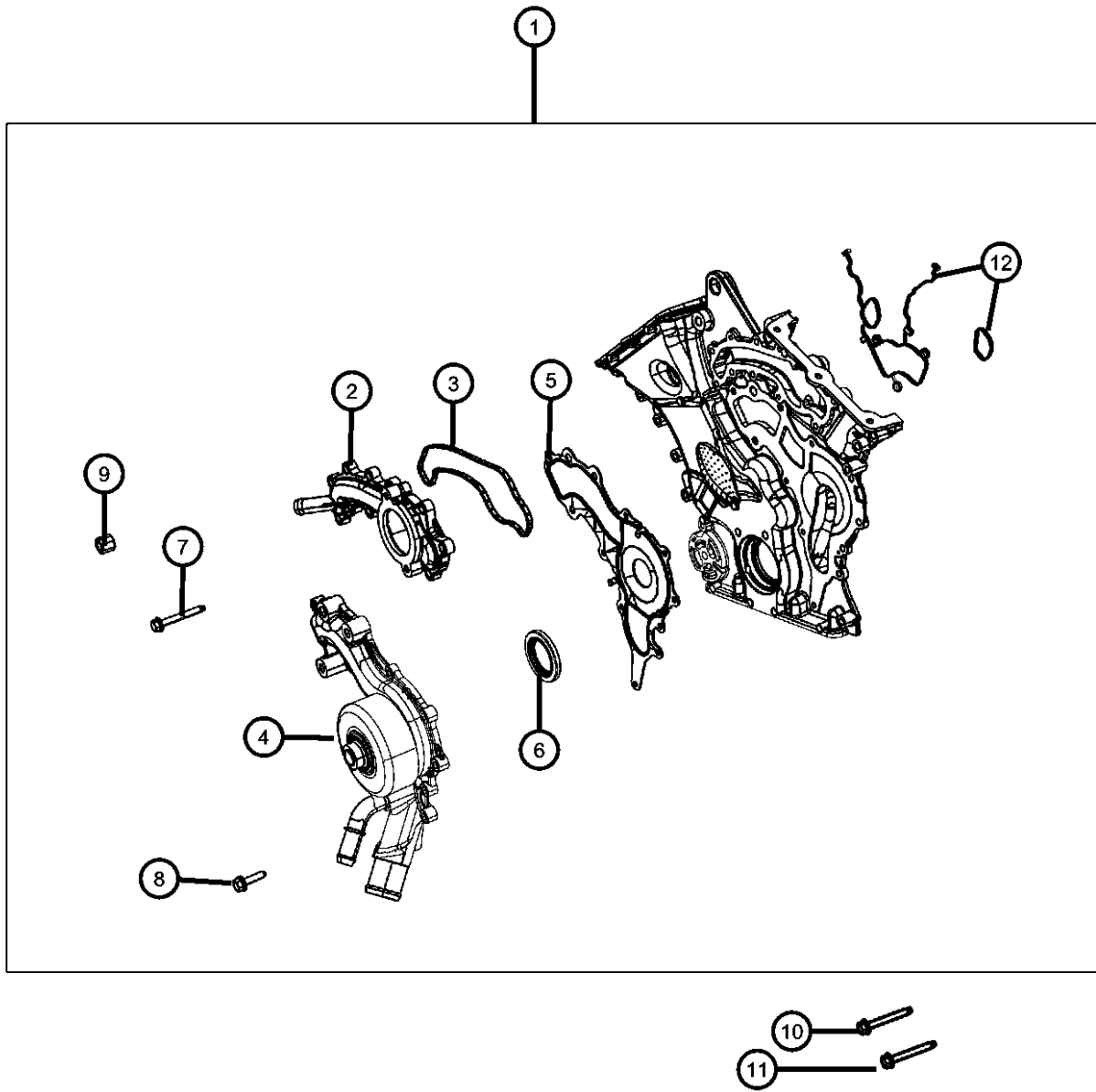
ENGINE
ERB = 3.XL Mid V6 Engine
EZH = 5.7L V8 HEMI MDS
VVT Engine
EXF = 3.0L V6 Turbo Diesel
Engine

TRANSMISSION
DGQ = 5-Spd Automatic 545RFE
Transmission
DGJ = 5-Speed Auto W5A580
Transmission

AR = use ase required - = Non illustrated part

2011 WK

**Timing Case Cover 3.6L [ERB]
Figure 009ERB-605**



ITEM	PART NUMBER	QTY	LINE	SERIES	BODY	ENGINE	TRANS	TRIM	DESCRIPTION
1	05184495AD	1	J, T, U			ERB			COVER, Chain Case
2	05184653AC	1	J, T, U			ERB			CROSSOVER, Coolant
3	05184454AD	1	J, T, U			ERB			GASKET
4	05184498AD	1	J, T, U			ERB			PUMP, Water
5	05184321AD	1	J, T, U			ERB			GASKET, Water Pump
6	05184541AB	1	J, T, U			ERB			SEAL, Crankshaft Oil, Front
7									BOLT AND CONED WASHER, Hex Head, M6X1.00X25.00
	06102429AA	4	J, T, U			ERB			Water Crossover To Front Cover, Mounting
		4	J, T, U			ERB			Water Pump To Front Cover, Mounting
8	06509392AA	23	J, T, U			ERB			BOLT, Hex Flange Head, M6X1.00X48.00, Water Crossover To Cylinder Head, Mounting
9	06508675AA	23	J, T, U			ERB			NUT, Timing Chain Cover, Mounting
10									BOLT, Hex Flange Head, M10X1.50X55.00
	06104221AA	1	J, T, U			ERB			Water Pump To Front Cover To Cylinder Block, Mounting
		3	J, T, U			ERB			Front Cover To Cylinder Head, Mounting
11	06104227AA	3	J, T, U			ERB			BOLT, Hex Flange Head, M10X1.50X100.00, Engine Mount To Front Cover, Mounting
12	68078604AA	1	J, T, U			ERB			GASKET KIT, Chain Case Cover

GRAND CHEROKEE (WK)

SERIES LINE
H = HIGHLINE T = JEEP - 2WD
P = PREMIUM J = JEEP - 4WD
S = SPORT U = JEEP - 4WD (RHD)

BODY
74 = SPORT UTILITY 4-DR
TYPE #4

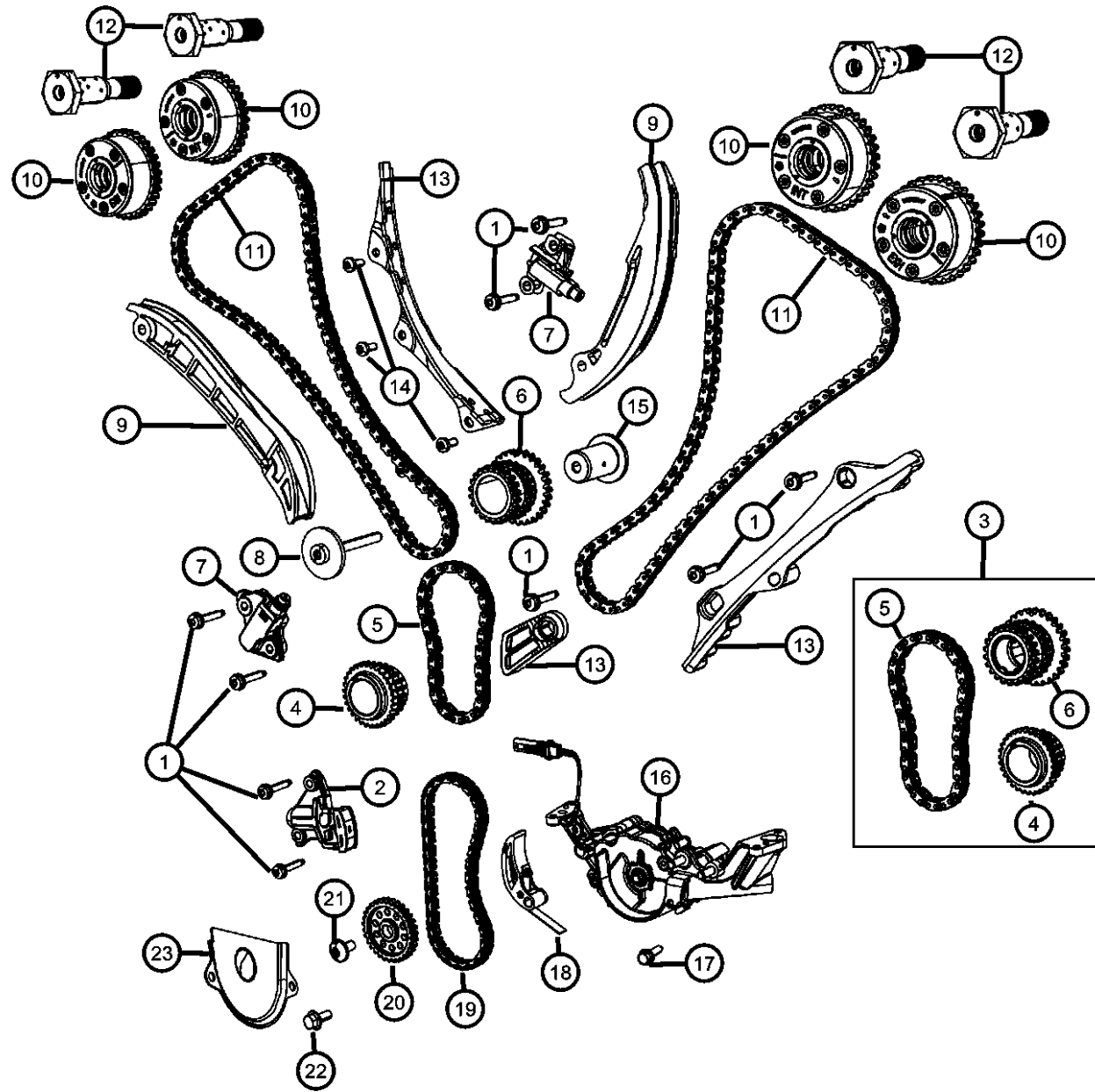
ENGINE
ERB = 3.0L Mid V6 Engine
EZH = 5.7L V8 HEMI MDS
VVT Engine
EXF = 3.0L V6 Turbo Diesel
Engine

TRANSMISSION
DGQ = 5-Spd Automatic 545RFE
Transmission
DGJ = 5-Speed Auto W5A580
Transmission

AR = use ase required - = Non illustrated part

2011 WK

Timing System 3.6L [ERB]
Figure 009ERB-625



ITEM	PART NUMBER	QTY	LINE	SERIES	BODY	ENGINE	TRANS	TRIM	DESCRIPTION
1	06509320AA	4	J, T, U			ERB			BOLT, Torx Head, M6X1.00X30.00
		2	J, T, U			ERB			Chain Tensioner, Mounting, Secondary
		1	J, T, U			ERB			Chain Tensioner, Mounting, Primary
		2	J, T, U			ERB			Timing Chain Guide, Mounting, Primary
		2	J, T, U			ERB			Timing Chain Guide, Mounting, Left Side
2	05184391AE	1	J, T, U			ERB			TENSIONER, Chain, Primary
3		1							TIMING DRIVE KIT, Engine, Serviced Separate Only, (NOT SERVICED)
4	05184357AD	1	J, T, U			ERB			GEAR, Intermediate
5	05184355AE	1	J, T, U			ERB			CHAIN, Timing Primary
6	05184356AD	1	J, T, U			ERB			GEAR, Crankshaft
7									TENSIONER, Chain, Secondary
	05184360AE	1	J, T, U			ERB			Left Side
	05184888AB	1	J, T, U			ERB			Right Side
8	05184359AB	1	J, T, U			ERB			SHAFT, Idler
9									ARM, Tensioner
	05184363AD	1	J, T, U			ERB			Left Side
	05184364AD	1	J, T, U			ERB			Right Side
10									PHASER, Camshaft
	05184369AF	2	J, T, U			ERB			Exhaust
	05184370AF	2	J, T, U			ERB			Intake
11	05184352AE	2	J, T, U			ERB			CHAIN, Timing Secondary
12	05184150AF	4	J, T, U			ERB			VALVE, Oil Control
13									GUIDE, Timing Chain
	05184361AE	1	J, T, U			ERB			Secondary, Left Side
	05184362AD	1	J, T, U			ERB			Secondary, Right Side
	05184392AD	1	J, T, U			ERB			Primary
14	06509353AA	3	J, T, U			ERB			BOLT, Torx Head, M6X1.00X15.00, Secondary Chain Guide, Mounting Right Side
15	05184357AD	1	J, T, U			ERB			GEAR, Intermediate
16	05184295AG	1	J, T, U			ERB			PUMP, Engine Oil

GRAND CHEROKEE (WK)

SERIES LINE
H = HIGHLINE T = JEEP - 2WD
P = PREMIUM J = JEEP - 4WD
S = SPORT U = JEEP - 4WD (RHD)

BODY
74 = SPORT UTILITY 4-DR
TYPE #4

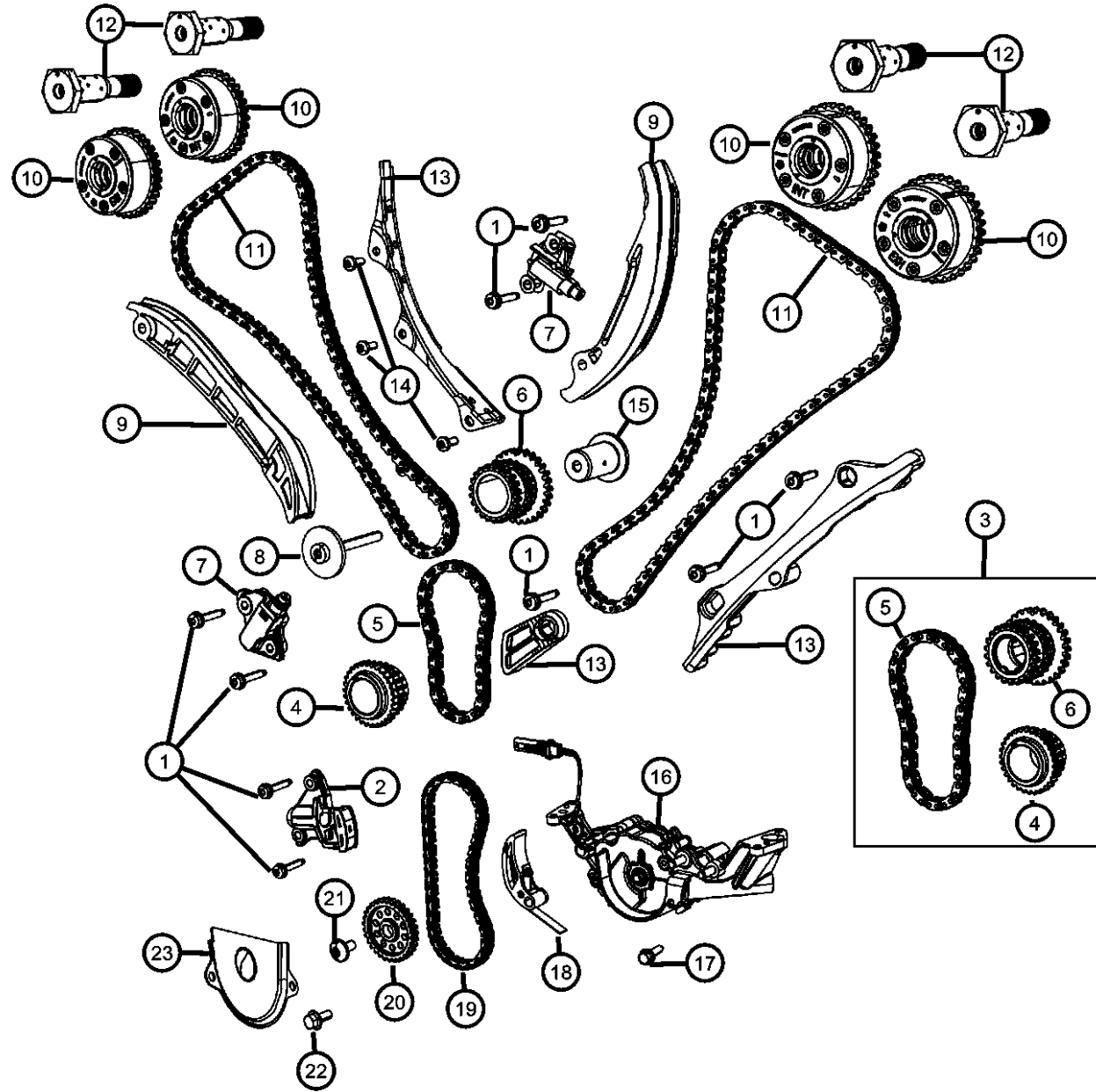
ENGINE
ERB = 3.XL Mid V6 Engine
EZH = 5.7L V8 HEMI MDS
VVT Engine
EXF = 3.0L V6 Turbo Diesel
Engine

TRANSMISSION
DGQ = 5-Spd Automatic 545RFE
Transmission
DGJ = 5-Speed Auto W5A580
Transmission

AR = use ase required - = Non illustrated part

2011 WK

Timing System 3.6L [ERB]
Figure 009ERB-625



ITEM	PART NUMBER	QTY	LINE	SERIES	BODY	ENGINE	TRANS	TRIM	DESCRIPTION
17	06102429AA	4	J, T, U			ERB			BOLT AND CONED WASHER, Hex Head, M6X1.00X25.00, Oil Pump To Cylinder Block, Mounting
18	05184093AE	1	J, T, U			ERB			TENSIONER, ChainOil Pump
19	05184278AD	1	J, T, U			ERB			CHAIN, Oil Pump Drive
20	05184273AD	1	J, T, U			ERB			GEAR, Oil Pump Drive
21	05104610AA	1	J, T, U			ERB			BOLT AND WASHER, Recessed Torx Head, M8X1.25X16.00, Oil Pump Drive Gear, Mounting
22		1							SCREW, Hex Flange Head, M5x0.8x12.0, Not Used On [WK] Jeep Grand Cherokee, (NOT SERVICED)
23		1							SHIELD, Splash, Not Used On [WK] Jeep Grand Cherokee, (NOT SERVICED)

GRAND CHEROKEE (WK)

SERIES LINE
H = HIGHLINE T = JEEP - 2WD
P = PREMIUM J = JEEP - 4WD
S = SPORT U = JEEP - 4WD (RHD)

BODY
74 = SPORT UTILITY 4-DR
TYPE #4

ENGINE
ERB = 3.0L Mid V6 Engine
EZH = 5.7L V8 HEMI MDS
VVT Engine
EXF = 3.0L V6 Turbo Diesel
Engine

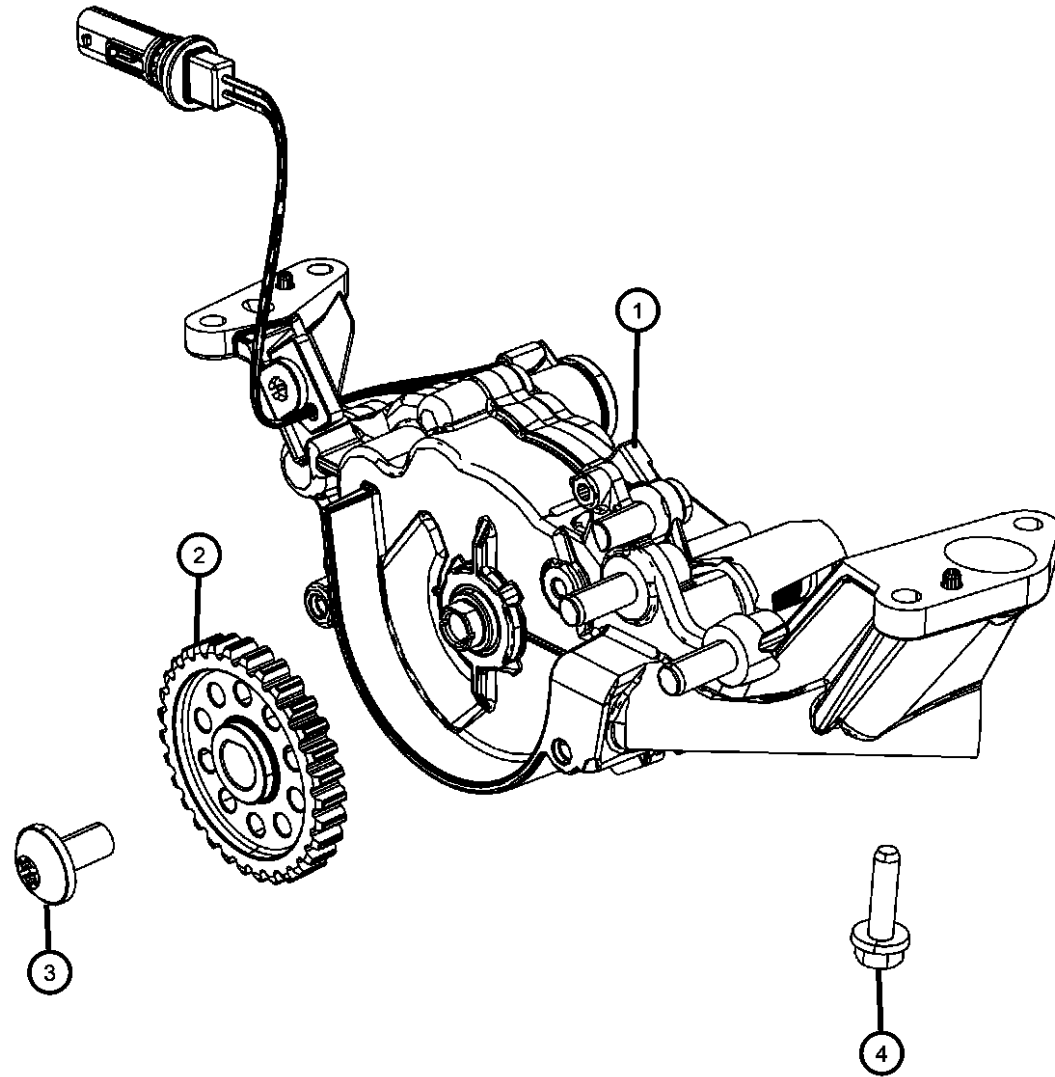
TRANSMISSION
DGQ = 5-Spd Automatic 545RFE
Transmission
DGJ = 5-Speed Auto W5A580
Transmission

AR = use ase required - = Non illustrated part

2011 WK

**Engine Oil Pump 3.6L [ERB]
Figure 009ERB-705**

ITEM	PART NUMBER	QTY	LINE	SERIES	BODY	ENGINE	TRANS	TRIM	DESCRIPTION
1	05184295AG	1	J, T, U			ERB			PUMP, Engine Oil
2	05184273AD	1	J, T, U			ERB			GEAR, Oil Pump Drive
3	05104610AA	1	J, T, U			ERB			BOLT AND WASHER, Recessed Torx Head, M8X1.25X16.00, Oil Pump Drive Gear, Mounting
4	06102429AA	4	J, T, U			ERB			BOLT AND CONED WASHER, Hex Head, M6X1.00X25.00, Oil Pump To Cylinder Block, Mounting



GRAND CHEROKEE (WK)

SERIES LINE
H = HIGHLINE T = JEEP - 2WD
P = PREMIUM J = JEEP - 4WD
S = SPORT U = JEEP - 4WD (RHD)

BODY
74 = SPORT UTILITY 4-DR
TYPE #4

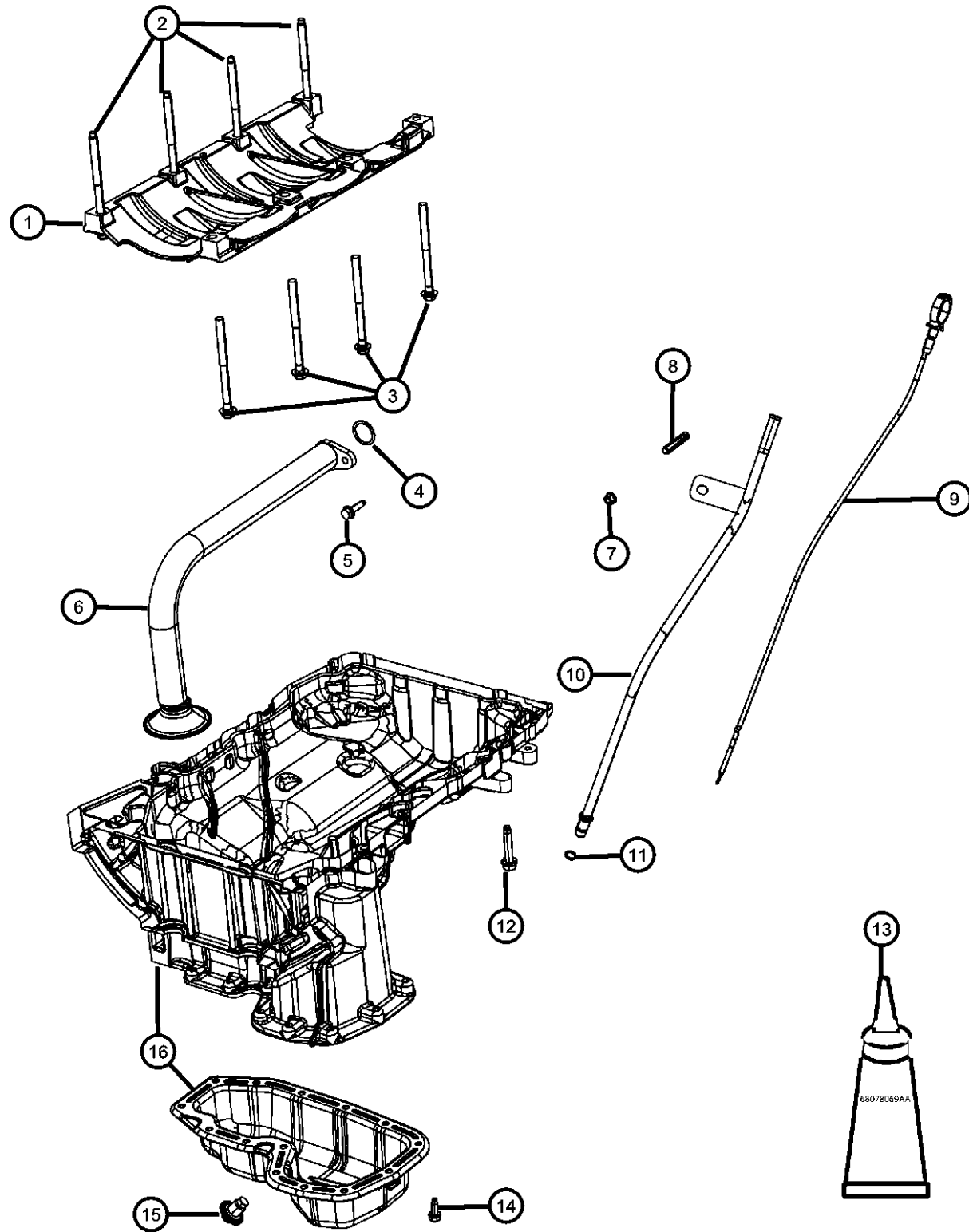
ENGINE
ERB = 3.0L Mid V6 Engine
EZH = 5.7L V8 HEMI MDS
VVT Engine
EXF = 3.0L V6 Turbo Diesel
Engine

TRANSMISSION
DGQ = 5-Spd Automatic 545RFE
Transmission
DGJ = 5-Speed Auto W5A580
Transmission

AR = use ase required - = Non illustrated part

2011 WK

**Engine Oil Pan, Engine Oil Level Indicator & Related Parts 3.6L [ERB]
Figure 009ERB-725**



ITEM	PART NUMBER	QTY	LINE	SERIES	BODY	ENGINE	TRANS	TRIM	DESCRIPTION
1	05184401AG	1	J, T, U			ERB			TRAY, Windage
2	06509563AA	8	J, T, U			ERB			BOLT, Hex Flange Head, M11X1.50X94.00, Inner Main Bearing Cap To Cylinder Block, Mounting
3	06509565AA	8	J, T, U			ERB			BOLT, Hex Flange Head, Outer Main Bearing Cap To Cylinder Block, Mounting
4	05184908AA	1	J, T, U			ERB			O RING Oil Pickup Tube
5									BOLT, Hex Flange Head, M6X1.00X25.00
	06105038AA	1	J, T, U			ERB			Oil Pickup Tube To Windage Tray, Mounting
		1	J, T, U			ERB			Oil Pickup Tube To Oil Pump, Mounting
6	05184425AG	1	J, T, U			ERB			TUBE, Oil Pickup
7	06506539AA	2	J, T, U			ERB			NUT, Hex Flange, M6X1.0, Oil Pan, Mounting
8	06509507AA	2	J, T, U			ERB			STUD, Double Ended, M6x1.0x38, Oil Pan, Mounting
9	68067150AB	1	J, T, U			ERB			INDICATOR, Engine Oil Level
10	68067151AB	1	J, T, U			ERB			TUBE, Engine Oil Indicator
11	05047077AB	1	J, T, U			ERB			O RING, Engine Oil Indicator Tube
12	06509231AA	19	J, T, U			ERB			BOLT AND CONED WASHER, Hex Head, M8X1.25X45.00, Upper Oil Pan To Cylinder Block, Mounting SEALER, RTV, (NOT SERVICED)
13		19							
14									BOLT AND CONED WASHER, Hex head, M6X1.00X20.00
	06509210AA	12	J, T, U			ERB			Lower Oil Pan To Upper Oil pan, Mounting
	06509672AA	2	J, T, U			ERB			Oil Pan To Rear Oil Seal Retainer, Mounting
15	06506214AA	1	J, T, U			ERB			PLUG, Oil Drain
16									PAN, Engine Oil
	05184407AF	1	J, T, U			ERB			Lower
	68051598AC	1	J, T, U			ERB			Upper

GRAND CHEROKEE (WK)

SERIES LINE
H = HIGHLINE T = JEEP - 2WD
P = PREMIUM J = JEEP - 4WD
S = SPORT U = JEEP - 4WD (RHD)

BODY
74 = SPORT UTILITY 4-DR
TYPE #4

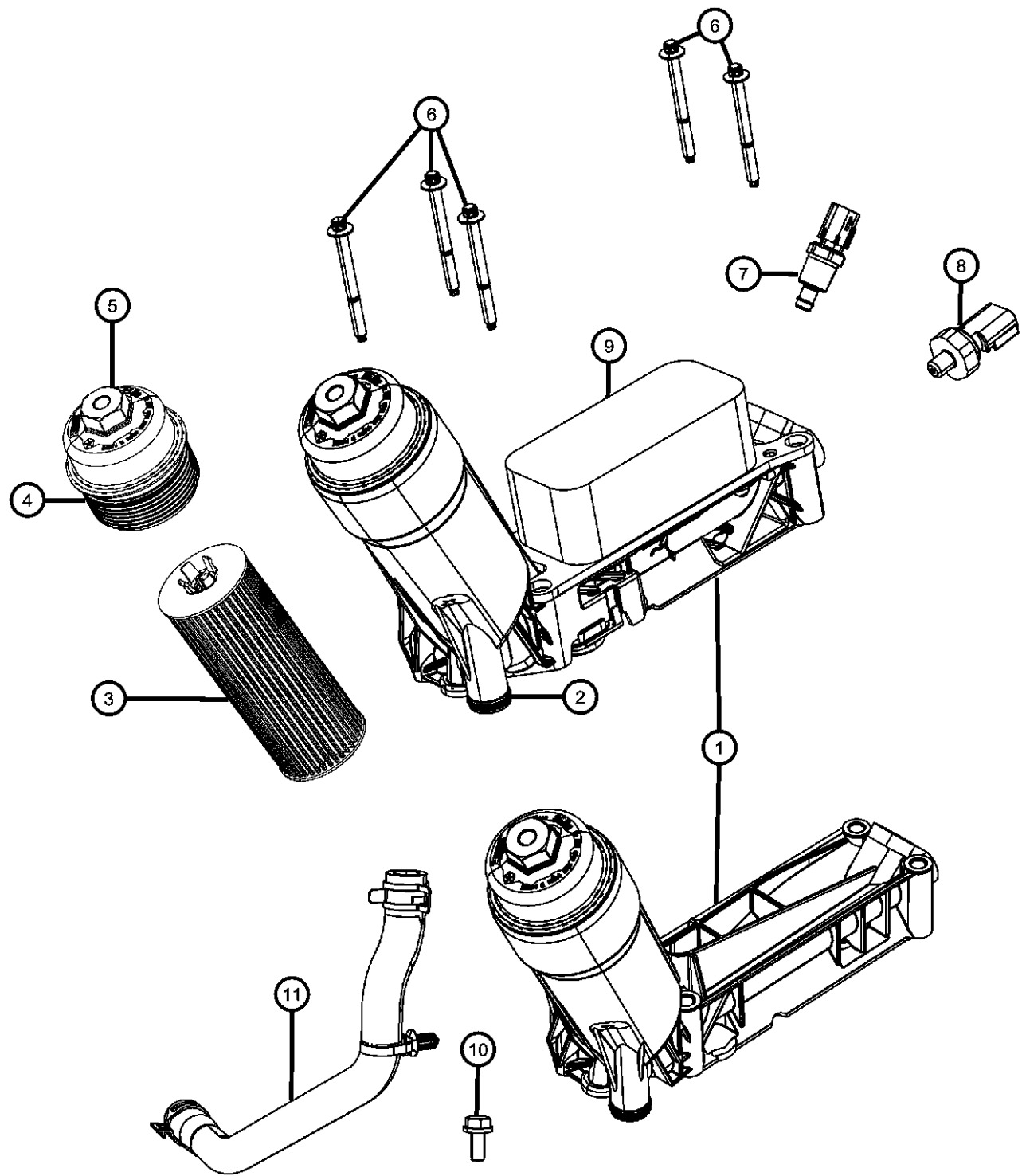
ENGINE
ERB = 3.XL Mid V6 Engine
EZH = 5.7L V8 HEMI MDS
VVT Engine
EXF = 3.0L V6 Turbo Diesel
Engine

TRANSMISSION
DGQ = 5-Spd Automatic 545RFE
Transmission
DGJ = 5-Speed Auto W5A580
Transmission

AR = use ase required - = Non illustrated part

2011 WK

**Engine Oil, Engine Oil Filter Adapter With/Without Oil Cooler 3.6L [ERB]
Figure 009ERB-775**



ITEM	PART NUMBER	QTY	LINE	SERIES	BODY	ENGINE	TRANS	TRIM	DESCRIPTION
1	05184294AD	1	J, T, U			ERB			ADAPTER, ENGINE OIL FILTER [NHA]
	05184304AE	1	J, T, U			ERB			
2		1							O RING, Serviced With Item 1, (NOT SERVICED)
3	68079744AB	1	J, T, U			ERB			FILTER KIT, Engine Oil, [NHA]
4		1							O RING, Serviced With Item 3 Or 5. Oil Filter Housing Cap, (NOT SERVICED)
5	68079747AA	1	J, T, U			ERB			CAP KIT, Oil Filter Housing
		1	J, T, U			ERB			[NHA]
6	06104084AA	5	J, T, U			ERB			BOLT
		5	J, T, U			ERB			Engine Oil Filter Module To Cylinder Block, Mounting
									Engine Oil Filter Module And Cooler To Cylinder Block, Mounting
7	05149077AB	1	J, T, U			ERB			SENSOR, Coolant Temperature
		1	J, T, U			ERB			Engine Oil Temperature
8	05149062AA	1	J, T, U			ERB			SENDING UNIT, Oil Pressure
		1	J, T, U			ERB			[NHA]
9		1							COOLER, Engine Oil, Serviced With Oil Filter Adapter, (NOT SERVICED)
10	06101452	1	J, T, U			ERB			BOLT AND WASHER, Hex Head, M8x1.25x20.00, Oil Cooler Outlet Hose To Cylinder Block, Mounting
11	68057473AB	1	J, T, U			ERB			HOSE, Oil Cooler Outlet, Includes Clamps

GRAND CHEROKEE (WK)

SERIES LINE
H = HIGHLINE T = JEEP - 2WD
P = PREMIUM J = JEEP - 4WD
S = SPORT U = JEEP - 4WD (RHD)

BODY
74 = SPORT UTILITY 4-DR
TYPE #4

ENGINE
ERB = 3.0L Mid V6 Engine
EZH = 5.7L V8 HEMI MDS
VVT Engine
EXF = 3.0L V6 Turbo Diesel
Engine

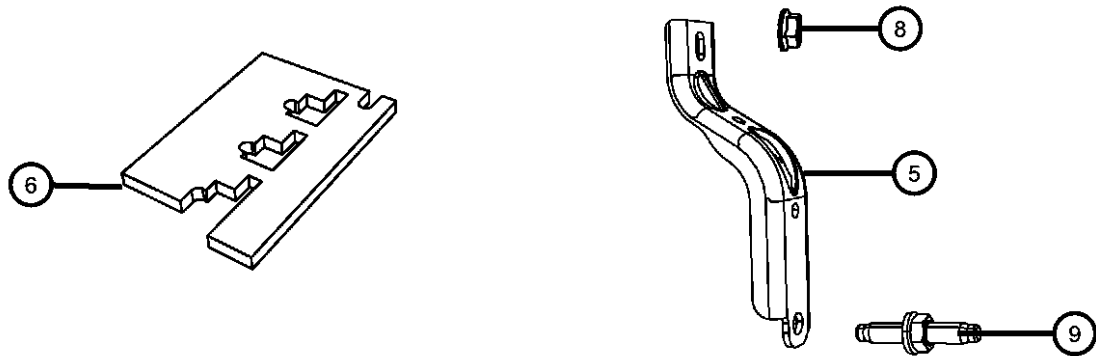
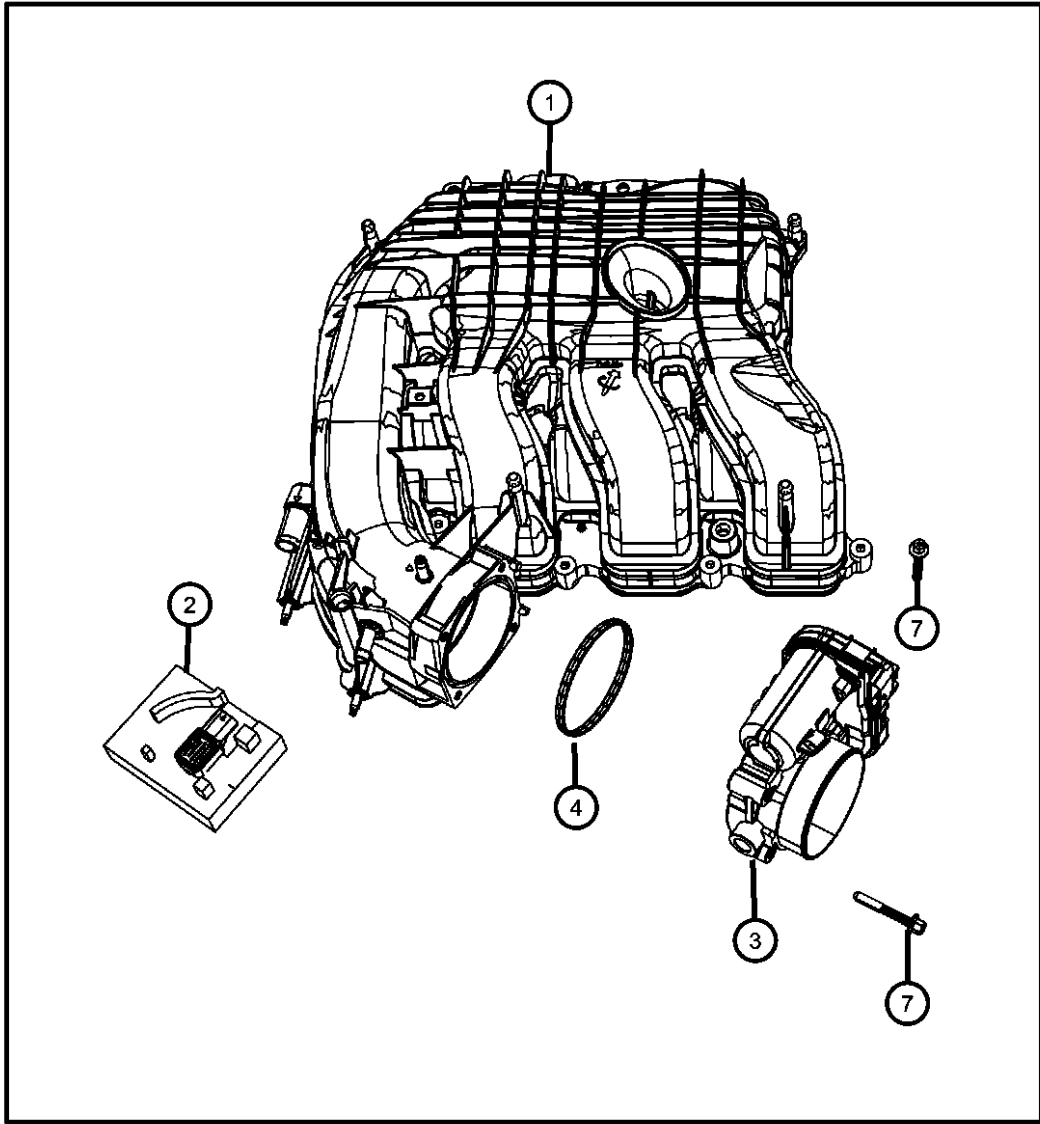
TRANSMISSION
DGQ = 5-Spd Automatic 545RFE
Transmission
DGJ = 5-Speed Auto W5A580
Transmission

AR = use ase required - = Non illustrated part

2011 WK

Intake Manifold Plenum 3.6L [ERB]
Figure 009ERB-1005

ITEM	PART NUMBER	QTY	LINE	SERIES	BODY	ENGINE	TRANS	TRIM	DESCRIPTION
1	05184693AE	1	J, T, U			ERB			PLENUM, Intake Manifold
2	05149174AB	1	J, T, U			ERB			SENSOR, MAP
3	05184349AB	1	J, T, U			ERB			THROTTLE BODY
4	53032763AA	1	J, T, U			ERB			GASKET, Throttle Body
5									BRACKET
	04593878AB	2	J, T, U			ERB			Front Support
	04593904AA	1	J, T, U			ERB			
6	04593955AA	1	J, T, U			ERB			PAD, Engine
7									BOLT
	06509356AA	7	J, T, U			ERB			Upper Plenum To Lower Intake Manifold, Mounting
		4	J, T, U			ERB			Throttle Body To Upper Plenum, Mounting
8									NUT, Hex Flange, M6X1.0
	06506539AA	2	J, T, U			ERB			Intake Manifold Bracket to Intake Manifold, Mounting
		2	J, T, U			ERB			ETC Support Bracket to Intake Manifold, Mounting
9									STUD, Double Ended, M8X1.25X51.00
	06508966AA	2	J, T, U			ERB			ETC Support Bracket to Intake Manifold, Mounting
		1	J, T, U			ERB			Intake Manifold Bracket to Cylinder Head, Mounting



GRAND CHEROKEE (WK)

SERIES LINE
H = HIGHLINE T = JEEP - 2WD
P = PREMIUM J = JEEP - 4WD
S = SPORT U = JEEP - 4WD (RHD)

BODY
74 = SPORT UTILITY 4-DR
TYPE #4

ENGINE
ERB = 3.XL Mid V6 Engine
EZH = 5.7L V8 HEMI MDS
VVT Engine
EXF = 3.0L V6 Turbo Diesel
Engine

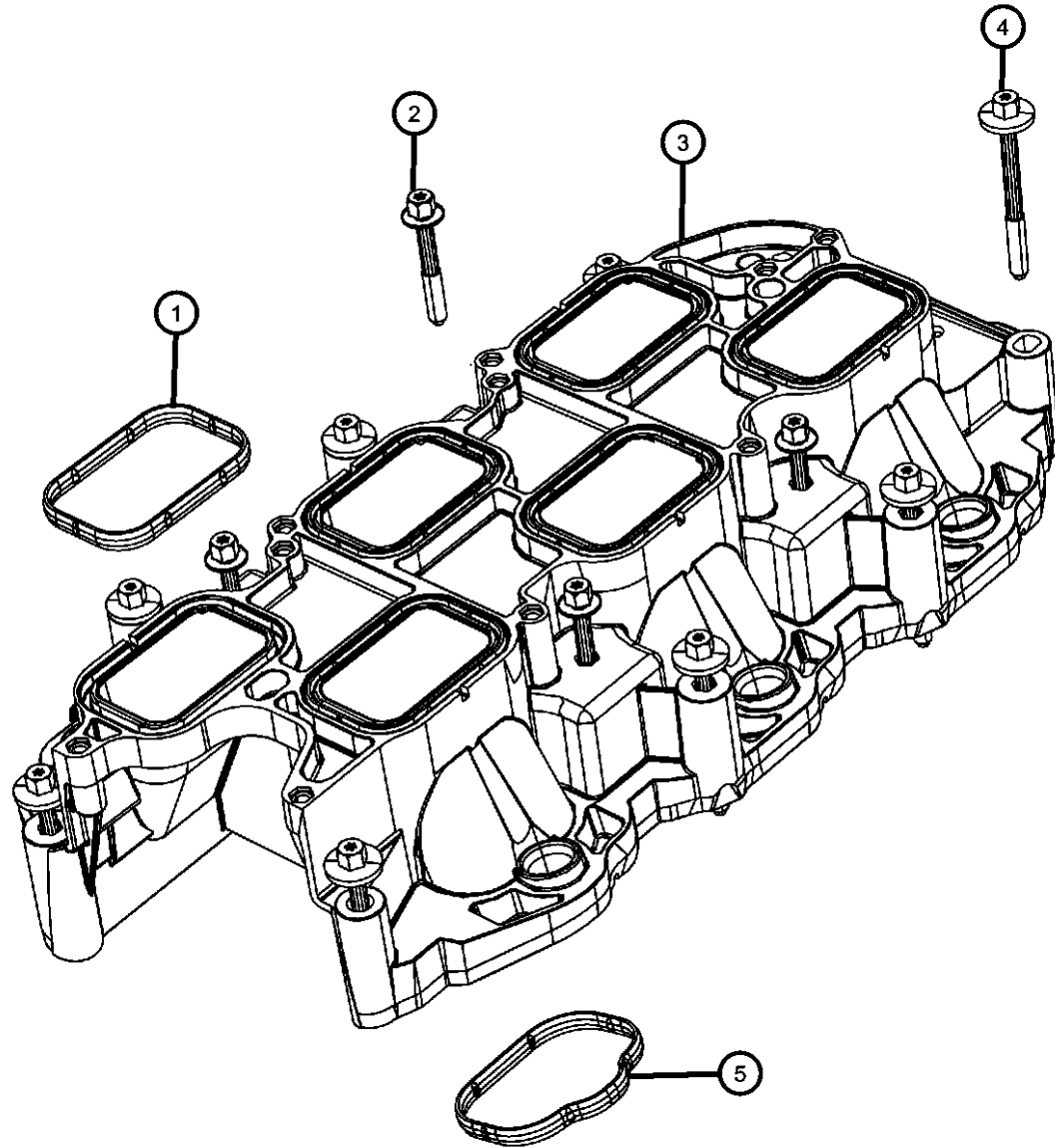
TRANSMISSION
DGQ = 5-Spd Automatic 545RFE
Transmission
DGJ = 5-Speed Auto W5A580
Transmission

AR = use ase required - = Non illustrated part

2011 WK

Lower Intake Manifold 3.6L [ERB]
Figure 009ERB-1065

ITEM	PART NUMBER	QTY	LINE	SERIES	BODY	ENGINE	TRANS	TRIM	DESCRIPTION
1	05184562AC	6	J, T, U			ERB			GASKET, Intake Plenum, Upper Intake Manifold Plenum To Lower Intake Manifold
2	06509356AA	7	J, T, U			ERB			BOLT, Upper Intake Manifold Plenum To Lower Intake Manifold, Mounting
3	05184199AE	1	J, T, U			ERB			MANIFOLD, IntakeLower
4	06509390AA	8	J, T, U			ERB			BOLT, Hex Flange Head, Lower Intake Manifold To Cylinder Head, Mounting
5	05184331AC	6	J, T, U			ERB			GASKET, Intake Manifold



GRAND CHEROKEE (WK)

SERIES LINE
H = HIGHLINE T = JEEP - 2WD
P = PREMIUM J = JEEP - 4WD
S = SPORT U = JEEP - 4WD (RHD)

BODY
74 = SPORT UTILITY 4-DR
TYPE #4

ENGINE
ERB = 3.6L Mid V6 Engine
EZH = 5.7L V8 HEMI MDS
VVT Engine
EXF = 3.0L V6 Turbo Diesel
Engine

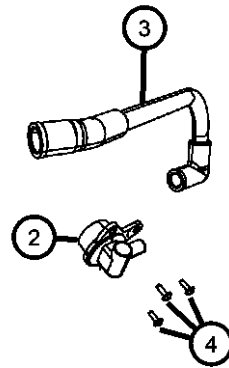
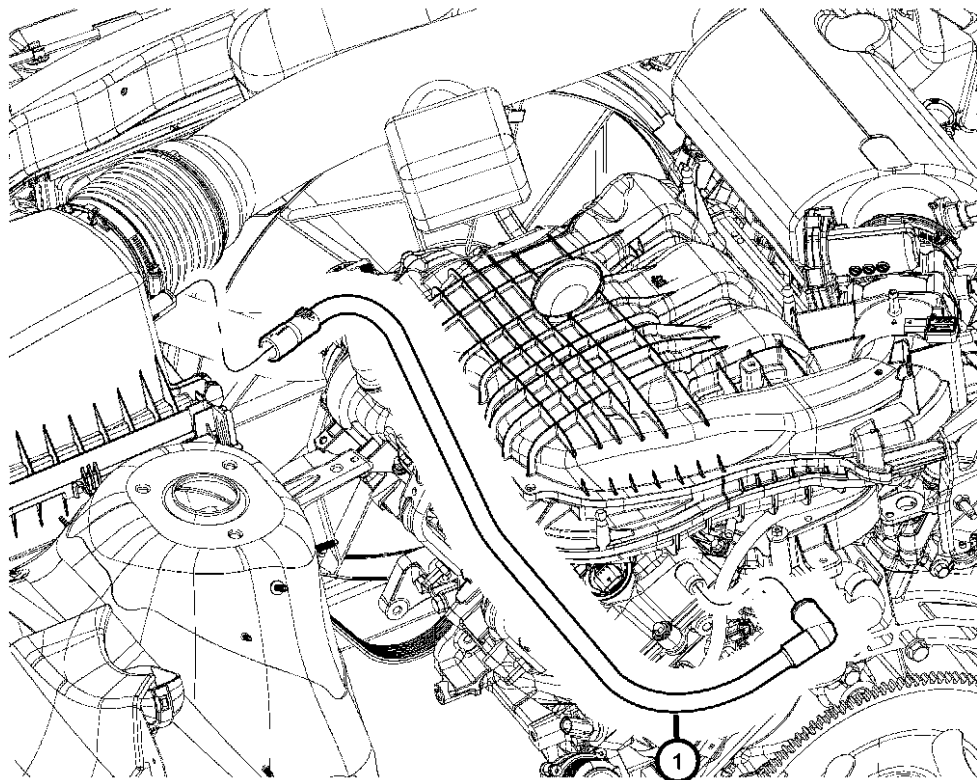
TRANSMISSION
DGQ = 5-Spd Automatic 545RFE
Transmission
DGJ = 5-Speed Auto W5A580
Transmission

AR = use ase required - = Non illustrated part

2011 WK

**Crankcase Ventilation 3.6L [ERB]
Figure 009ERB-1105**

ITEM	PART NUMBER	QTY	LINE	SERIES	BODY	ENGINE	TRANS	TRIM	DESCRIPTION
1	05184632AE	1	J, T, U			ERB			HOSE, Air Make-up
2	05184763AD	1	J, T, U			ERB			VALVE, PCV
3	05184163AE	1	J, T, U			ERB			HOSE, PCV
4	06509625AA	3	J, T, U			ERB			BOLT AND WASHER, PCV Valve To Cylinder Head Cover, Mounting



GRAND CHEROKEE (WK)

SERIES LINE
H = HIGHLINE T = JEEP - 2WD
P = PREMIUM J = JEEP - 4WD
S = SPORT U = JEEP - 4WD (RHD)

BODY
74 = SPORT UTILITY 4-DR
TYPE #4

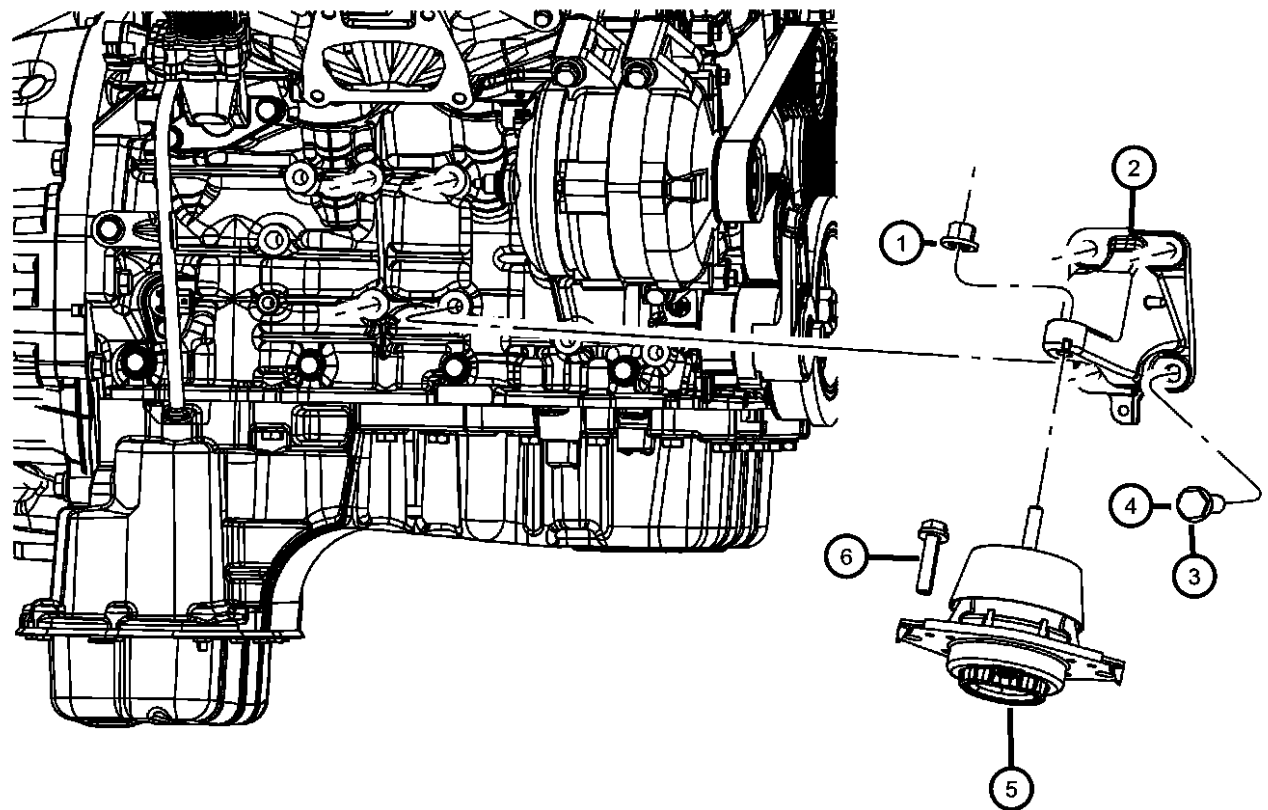
ENGINE
ERB = 3.6L Mid V6 Engine
EZH = 5.7L V8 HEMI MDS
VVT Engine
EXF = 3.0L V6 Turbo Diesel
Engine

TRANSMISSION
DGQ = 5-Spd Automatic 545RFE
Transmission
DGJ = 5-Speed Auto W5A580
Transmission

AR = use ase required - = Non illustrated part

2011 WK

**Engine Mounting Right Side RWD/2WD 3.6L [ERB]
Figure 009ERB-1220**



ITEM	PART NUMBER	QTY	LINE	SERIES	BODY	ENGINE	TRANS	TRIM	DESCRIPTION
1	06502979	2	J, T, U						NUT AND WASHER, Hex, M10x1.5, Engine Mount To Engine Mount Bracket, Mounting
2	52124986AB	1	J, T, U			ER0			BRACKET, Engine MountRight Side
3	06102122AA	2	J, T, U			ER0, EZ0			BOLT AND WASHER, Hex Head, M10X1.50X100, Engine Mount Bracket To Cylinder Block, Mounting
4	06102019	6	J, T, U			ER0, EZ0			BOLT AND WASHER, Hex Head, M10x1.50x45.00, Engine Mount Bracket To Cylinder Block, Mounting
5	52124671AD	1	J, U			ER0			ISOLATOR, Engine MountRight Side
6	06504010	2	J, T, U						SCREW AND WASHER, Hex Head, M10x1.50x35, Engine Mount To Cradle, Mounting

GRAND CHEROKEE (WK)

SERIES LINE
H = HIGHLINE T = JEEP - 2WD
P = PREMIUM J = JEEP - 4WD
S = SPORT U = JEEP - 4WD (RHD)

BODY
74 = SPORT UTILITY 4-DR TYPE #4

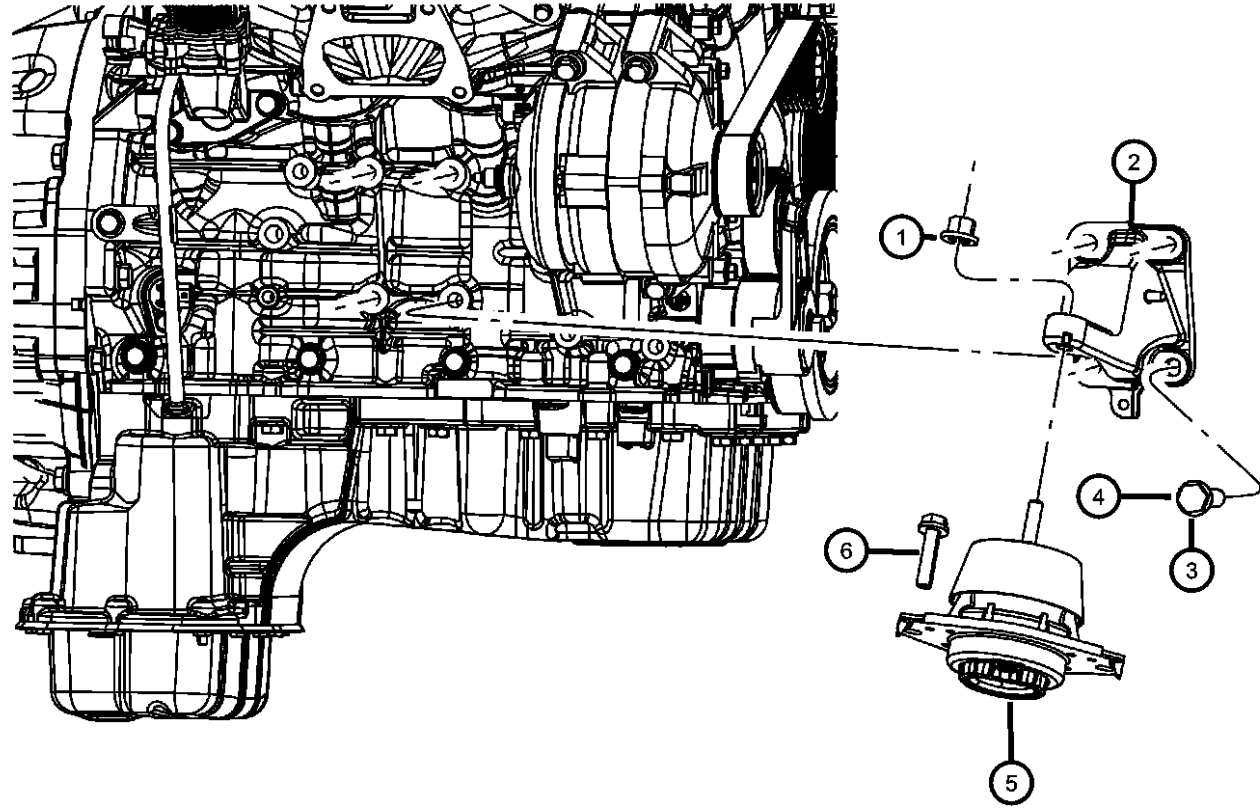
ENGINE
ERB = 3.6L Mid V6 Engine
EZH = 5.7L V8 HEMI MDS VVT Engine
EXF = 3.0L V6 Turbo Diesel Engine

TRANSMISSION
DGQ = 5-Spd Automatic 545RFE Transmission
DGJ = 5-Speed Auto W5A580 Transmission

AR = use ase required - = Non illustrated part

2011 WK

**Engine Mounting Right Side 4WD 3.6L [ERB]
Figure 009ERB-1225**



ITEM	PART NUMBER	QTY	LINE	SERIES	BODY	ENGINE	TRANS	TRIM	DESCRIPTION
1	06502979	2	J, T, U						NUT AND WASHER, Hex, M10x1.5, Engine Mount To Engine Mount Bracket, Mounting
2	52124986AB	1	J, T, U			ER0			BRACKET, Engine MountRight Side
3	06102122AA	2	J, T, U			ER0, EZ0			BOLT AND WASHER, Hex Head, M10X1.50X100, Engine Mount Bracket To Cylinder Block, Mounting
4	06102019	6	J, T, U			ER0, EZ0			BOLT AND WASHER, Hex Head, M10x1.50x45.00, Engine Mount Bracket To Cylinder Block, Mounting
5	52124671AD	1	J, U			ER0			ISOLATOR, Engine MountRight Side
6	06504010	2	J, T, U						SCREW AND WASHER, Hex Head, M10x1.50x35, Engine Mount To Cradle, Mounting

GRAND CHEROKEE (WK)

SERIES LINE
H = HIGHLINE T = JEEP - 2WD
P = PREMIUM J = JEEP - 4WD
S = SPORT U = JEEP - 4WD (RHD)

BODY
74 = SPORT UTILITY 4-DR
TYPE #4

ENGINE
ERB = 3.XL Mid V6 Engine
EZH = 5.7L V8 HEMI MDS
VVT Engine
EXF = 3.0L V6 Turbo Diesel
Engine

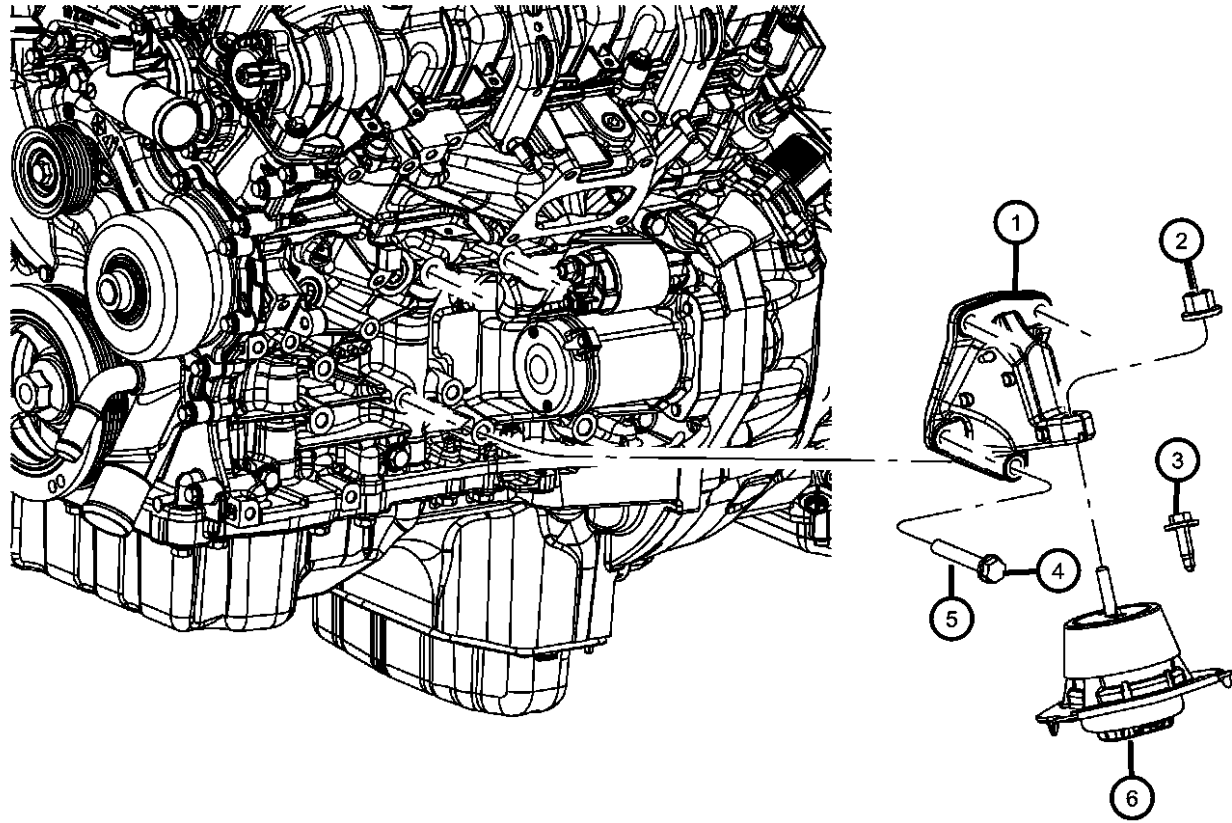
TRANSMISSION
DGQ = 5-Spd Automatic 545RFE
Transmission
DGJ = 5-Speed Auto W5A580
Transmission

AR = use ase required - = Non illustrated part

2011 WK

**Engine Mounting Left Side RWD/2WD 3.6L [ERB]
Figure 009ERB-1235**

ITEM	PART NUMBER	QTY	LINE	SERIES	BODY	ENGINE	TRANS	TRIM	DESCRIPTION
1	52124987AB	1	J, T, U			ER0			BRACKET, Engine MountLeft Side
2	06502979	2	J, T, U						NUT AND WASHER, Hex, M10x1.5, Engine Mount To Engine Mount Bracket, Mounting
3	06504010	2	J, T, U						SCREW AND WASHER, Hex Head, M10x1.50x35, Engine Mount To Cradle, Mounting
4	06102019	6	J, T, U			ER0, EZ0			BOLT AND WASHER, Hex Head, M10x1.50x45.00, Engine Mount Bracket To Cylinder Block, Mounting
5	06102122AA	2	J, T, U			ER0, EZ0			BOLT AND WASHER, Hex Head, M10X1.50X100, Engine Mount Bracket To Cylinder Block, Mounting
6	52124671AD	1	J, U			ER0			ISOLATOR, Engine MountLeft Side



GRAND CHEROKEE (WK)

SERIES LINE
H = HIGHLINE T = JEEP - 2WD
P = PREMIUM J = JEEP - 4WD
S = SPORT U = JEEP - 4WD (RHD)

BODY
74 = SPORT UTILITY 4-DR
TYPE #4

ENGINE
ERB = 3.XL Mid V6 Engine
EZH = 5.7L V8 HEMI MDS
VVT Engine
EXF = 3.0L V6 Turbo Diesel
Engine

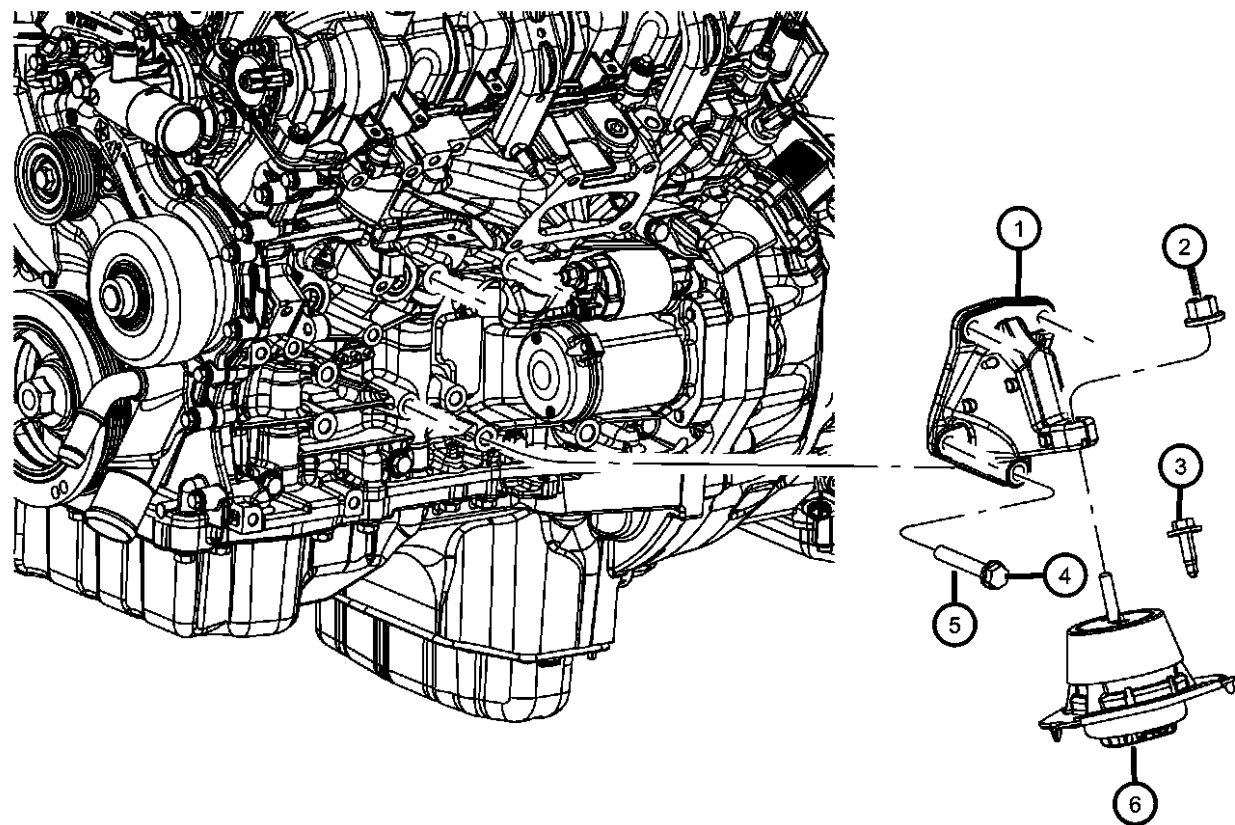
TRANSMISSION
DGQ = 5-Spd Automatic 545RFE
Transmission
DGJ = 5-Speed Auto W5A580
Transmission

AR = use ase required - = Non illustrated part

2011 WK

**Engine Mounting Left Side 4WD 3.6L [ERB]
Figure 009ERB-1240**

ITEM	PART NUMBER	QTY	LINE	SERIES	BODY	ENGINE	TRANS	TRIM	DESCRIPTION
1	52124987AB	1	J, T, U			ER0			BRACKET, Engine MountLeft Side
2	06502979	2	J, T, U						NUT AND WASHER, Hex, M10x1.5, Engine Mount To Engine Mount Bracket, Mounting
3	06504010	2	J, T, U						SCREW AND WASHER, Hex Head, M10x1.50x35, Engine Mount To Cradle, Mounting
4	06102019	6	J, T, U			ER0, EZ0			BOLT AND WASHER, Hex Head, M10x1.50x45.00, Engine Mount Bracket To Cylinder Block, Mounting
5	06102122AA	2	J, T, U			ER0, EZ0			BOLT AND WASHER, Hex Head, M10X1.50X100, Engine Mount Bracket To Cylinder Block, Mounting
6	52124671AD	1	J, U			ER0			ISOLATOR, Engine MountLeft Side



GRAND CHEROKEE (WK)

SERIES LINE
H = HIGHLINE T = JEEP - 2WD
P = PREMIUM J = JEEP - 4WD
S = SPORT U = JEEP - 4WD (RHD)

BODY
74 = SPORT UTILITY 4-DR
TYPE #4

ENGINE
ERB = 3.XL Mid V6 Engine
EZH = 5.7L V8 HEMI MDS
VVT Engine
EXF = 3.0L V6 Turbo Diesel
Engine

TRANSMISSION
DGQ = 5-Spd Automatic 545RFE
Transmission
DGJ = 5-Speed Auto W5A580
Transmission

AR = use ase required - = Non illustrated part

2011 WK

Group - 009EZH

5.7L Gas; Engine

009EZH-100 Engine Identification	009EZH-1000 Manifolds and Vacuum Fittings	009EZH-1100 Crankcase Ventilation	009EZH-1200 Engine Mounting
009EZH-200 Cylinder Head	009EZH-300 Cylinder Block	009EZH-400 Crankshaft, Piston, Drive Plate, Flywheel, and Damper	009EZH-500 Camshaft and Valve
009EZH-600 Timing Belt/Chain and Cover and Balance Shaft	009EZH-700 Engine Oiling, Oil Pan and Indicator (Dipstick)		

Group - 009EZH 5.7L Gas; Engine

Illustration Title	Group-Fig. No.
Engine Identification	
Engine Identification 5.7L [EZH]	Fig. 009EZH - 105
Engine Assembly And Service Long Block 5.7L [EZH].....	Fig. 009EZH - 115
Engine Cover And Related Parts 5.7L [EZH]	Fig. 009EZH - 125
Engine Gasket Kits 5.7L [EZH].....	Fig. 009EZH - 145
Cylinder Head	
Cylinder Head Covers 5.7L [EZH]	Fig. 009EZH - 205
Cylinder Heads 5.7L [EZH].....	Fig. 009EZH - 225
Cylinder Block	
Engine Cylinder Block And Hardware 5.7L [EZH]	Fig. 009EZH - 305
Engine Cylinder Block Heater 5.7L [EZH].....	Fig. 009EZH - 325
Crankshaft, Piston, Drive Plate, Flywheel, and Damper	
Crankshaft, Crankshaft Bearings, Damper And Flywheel 5.7L [EZH].....	Fig. 009EZH - 405
Pistons, Piston Rings, Connecting Rods And Connecting Rod Bearings 5.7L [EZH].....	Fig. 009EZH - 425
Camshaft and Valve	
Camshaft And Valvetrain 5.7L [EZH]	Fig. 009EZH - 505
Timing Belt/Chain and Cover and Balance Shaft	
Timing Case Cover 5.7L [EZH].....	Fig. 009EZH - 605
Timing System 5.7L [EZH].....	Fig. 009EZH - 625
Engine Oiling, Oil Pan and Indicator (Dipstick)	
Engine Oiling Pump 5.7L [EZH].....	Fig. 009EZH - 705
Engine Oil Pan, Engine Oil Level Indicator And Related Parts 5.7L [EZH]	Fig. 009EZH - 725
Engine Oil, Engine Oil Filter And Adapter 5.7L [EZH]	Fig. 009EZH - 745
Manifolds and Vacuum Fittings	
Exhaust Manifolds And Heat Shields 5.7L [EZH].....	Fig. 009EZH - 1005
Intake Manifold 5.7L [EZH]	Fig. 009EZH - 1025
Crankcase Ventilation	
Crankcase Ventilation 5.7L [EZH].....	Fig. 009EZH - 1105
Engine Mounting	
Engine Mounting Right Side RWD/2WD 5.7L [EZH]	Fig. 009EZH - 1220
Engine Mounting Right Side 4WD 5.7L [EZH]	Fig. 009EZH - 1225
Engine Mounting Left Side RWD/2WD 5.7L [EZH]	Fig. 009EZH - 1235
Engine Mounting Left Side 4WD 5.7L [EZH].....	Fig. 009EZH - 1240

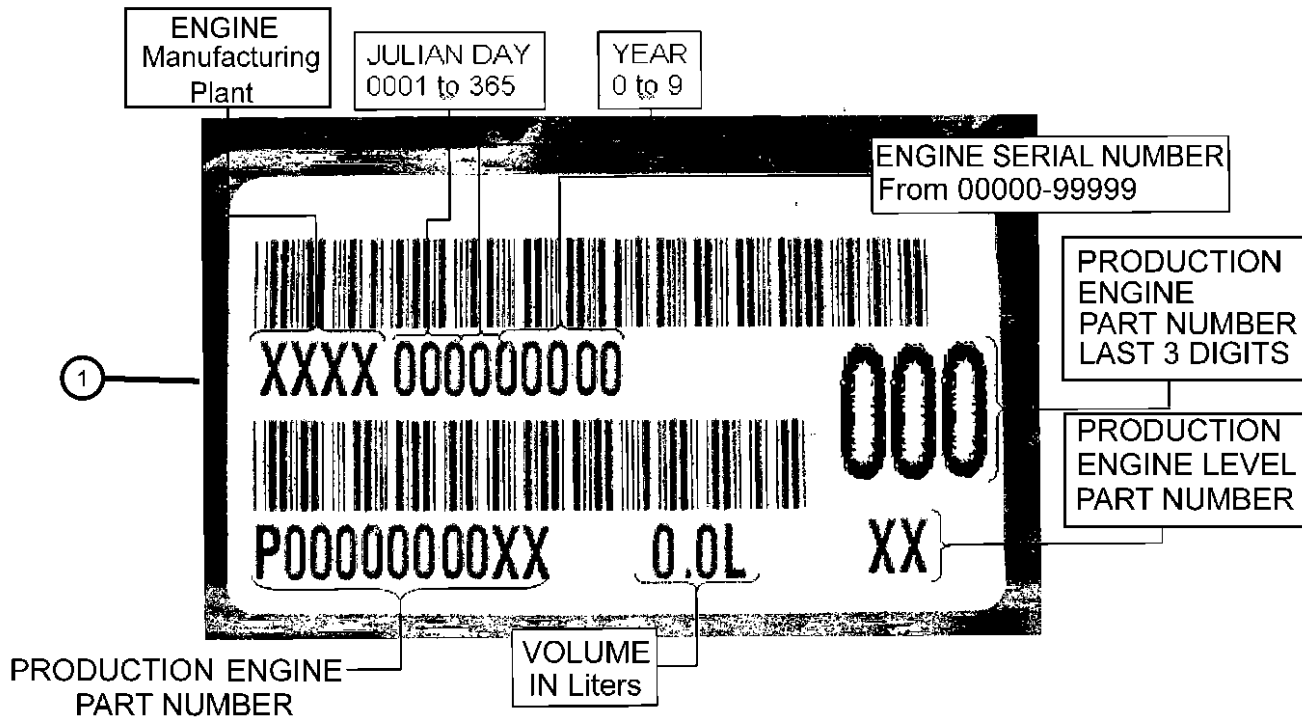
**Engine Identification 5.7L [EZH]
Figure 009EZH-105**

ITEM	PART NUMBER	QTY	LINE	SERIES	BODY	ENGINE	TRANS	TRIM	DESCRIPTION
------	-------------	-----	------	--------	------	--------	-------	------	-------------

The Engine Identification Label Is Attached To One Of The Cylinder Head Covers.
The Production Engine Part Number Is Not A Servicable Part Number.
A Engine Is Usally Serviced By A Long Block Or Short Block Engine Only.

1 1

LABEL, Engine Identification, See Important Note, (NOT SERVICED)



GRAND CHEROKEE (WK)

SERIES LINE
H = HIGHLINE T = JEEP - 2WD
P = PREMIUM J = JEEP - 4WD
S = SPORT U = JEEP - 4WD (RHD)

BODY
74 = SPORT UTILITY 4-DR
TYPE #4

ENGINE
ERB = 3.XL Mid V6 Engine
EZH = 5.7L V8 HEMI MDS
VVT Engine
EXF = 3.0L V6 Turbo Diesel
Engine

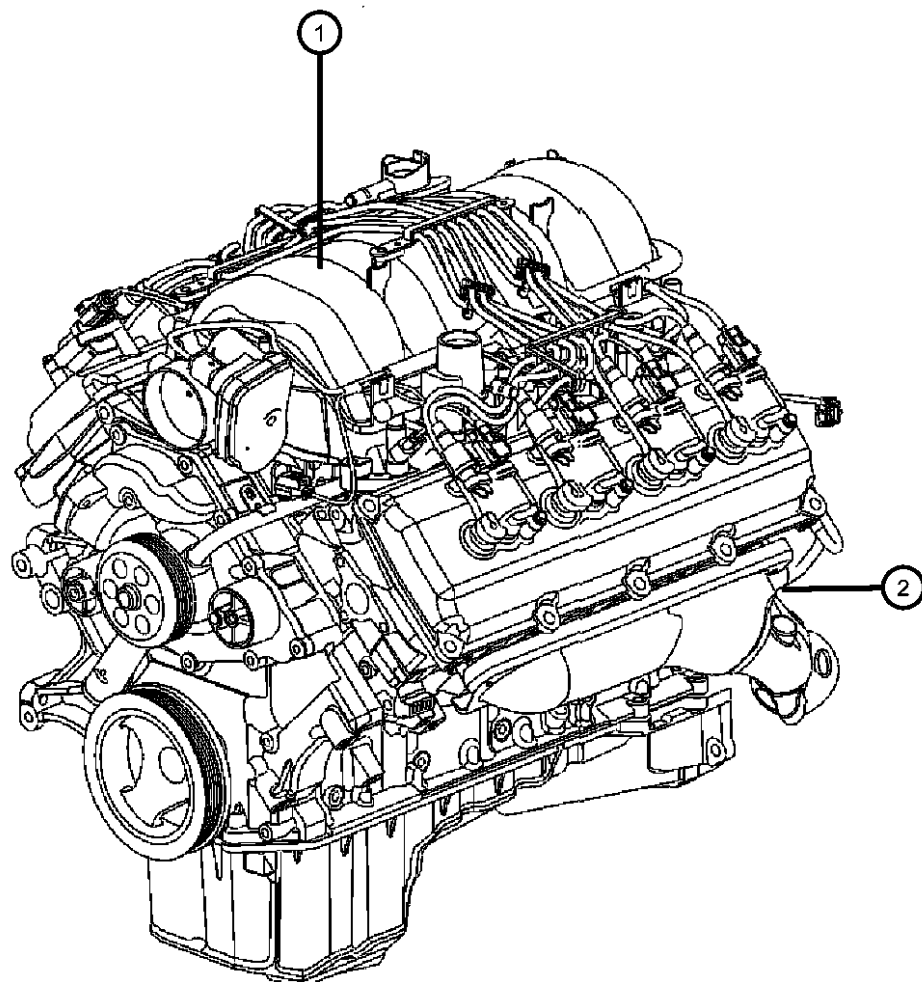
TRANSMISSION
DGQ = 5-Spd Automatic 545RFE
Transmission
DGJ = 5-Speed Auto W5A580
Transmission

AR = use ase required - = Non illustrated part

2011 WK

**Engine Assembly And Service Long Block 5.7L [EZH]
Figure 009EZH-115**

ITEM	PART NUMBER	QTY	LINE	SERIES	BODY	ENGINE	TRANS	TRIM	DESCRIPTION
1		1							ENGINE, Complete, Serviced By New Short Block Only, (NOT SERVICED)
2		1							ENGINE, Long Block, Serviced By New Short Block, (NOT SERVICED)



GRAND CHEROKEE (WK)

SERIES LINE
H = HIGHLINE T = JEEP - 2WD
P = PREMIUM J = JEEP - 4WD
S = SPORT U = JEEP - 4WD (RHD)

BODY
74 = SPORT UTILITY 4-DR
TYPE #4

ENGINE
ERB = 3.XL Mid V6 Engine
EZH = 5.7L V8 HEMI MDS
VVT Engine
EXF = 3.0L V6 Turbo Diesel
Engine

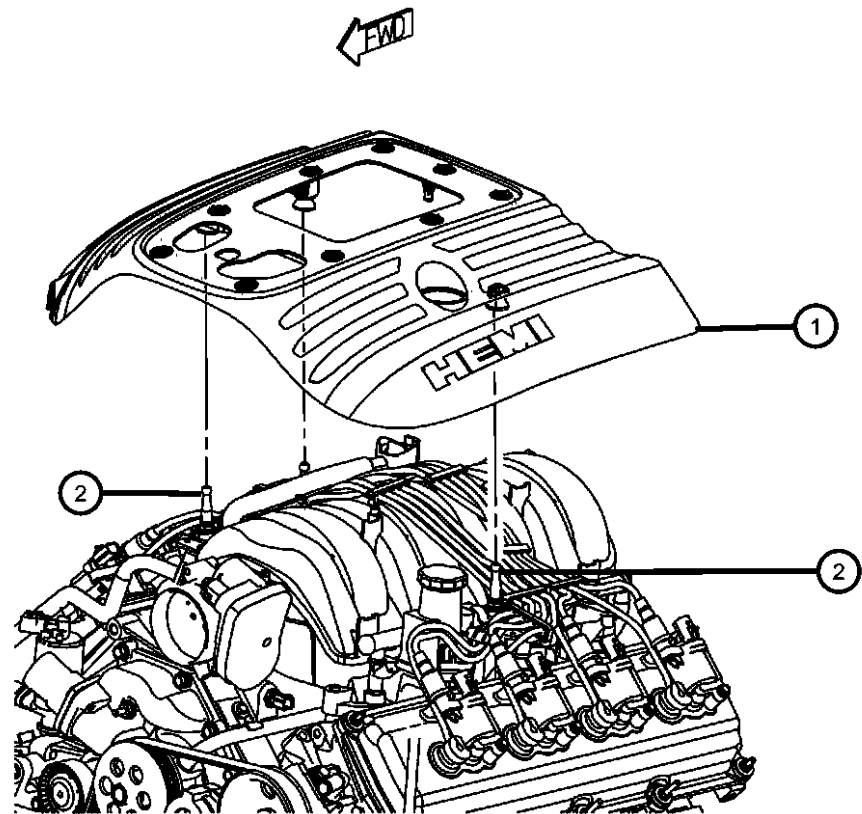
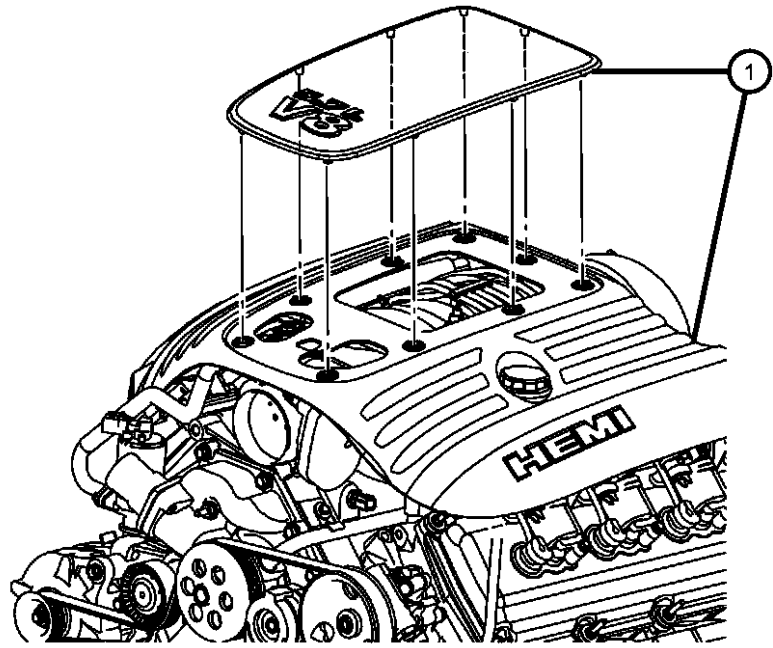
TRANSMISSION
DGQ = 5-Spd Automatic 545RFE
Transmission
DGJ = 5-Speed Auto W5A580
Transmission

AR = use ase required - = Non illustrated part

2011 WK

**Engine Cover And Related Parts 5.7L [EZH]
Figure 009EZH-125**

ITEM	PART NUMBER	QTY	LINE	SERIES	BODY	ENGINE	TRANS	TRIM	DESCRIPTION
1	53034225AC	1	J, T, U			EZH			COVER, Engine
2	53013748AD	4	J, T, U			EZH			BALL STUD, 60X2.14X21.59



GRAND CHEROKEE (WK)

SERIES LINE
H = HIGHLINE T = JEEP - 2WD
P = PREMIUM J = JEEP - 4WD
S = SPORT U = JEEP - 4WD (RHD)

BODY
74 = SPORT UTILITY 4-DR
TYPE #4

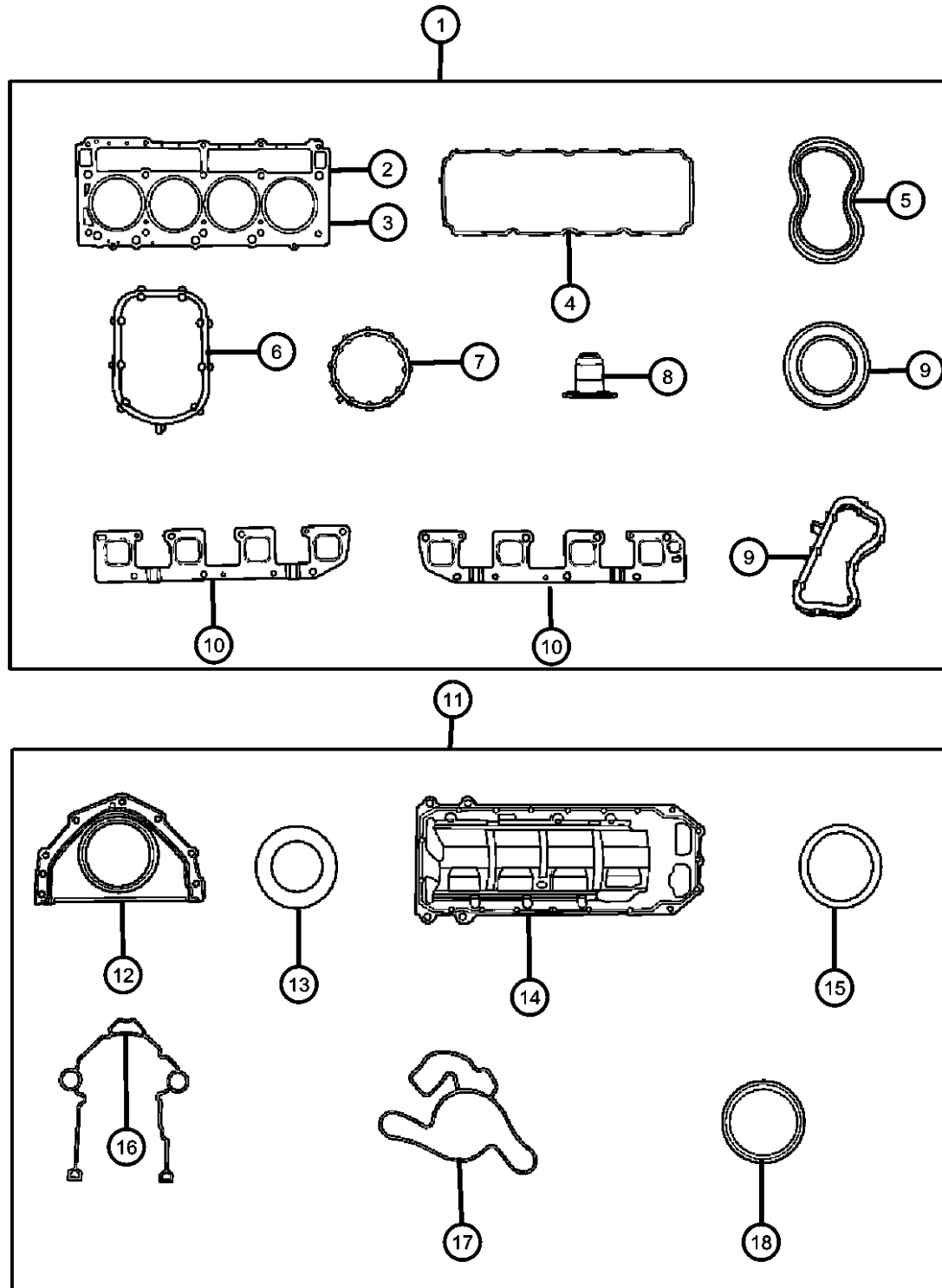
ENGINE
ERB = 3.XL Mid V6 Engine
EZH = 5.7L V8 HEMI MDS
VVT Engine
EXF = 3.0L V6 Turbo Diesel
Engine

TRANSMISSION
DGQ = 5-Spd Automatic 545RFE
Transmission
DGJ = 5-Speed Auto W5A580
Transmission

AR = use ase required - = Non illustrated part

2011 WK

**Engine Gasket Kits 5.7L [EZH]
Figure 009EZH-145**



ITEM	PART NUMBER	QTY	LINE	SERIES	BODY	ENGINE	TRANS	TRIM	DESCRIPTION
1	68046260AA	2	J, T, U			EZH			GASKET KIT, Engine, Upper
2	53022306AA	1	J, T, U			EZH			GASKET, Cylinder Head, Right
3	53022307AA	1	J, T, U			EZH			GASKET, Cylinder Head, Left
4	05114179AB	2	J, T, U			EZH			GASKET KIT, Cylinder Head Cover
5	53021569AD	8	J, T, U			EZH			GASKET, Spark Plug Well
6	53022143AB	8	J, T, U			EZH			SEAL, Intake Manifold
7	53022320AB	1	J, T, U			EZH			SEAL, Throttle Body to Intake
8	53022090AB	16	J, T, U			EZH			SEAL, Valve Guide
9									SEAL, PCV
	53022142AB	2	J, T, U			EZH			Square
	53032448AC	1	J, T, U			EZH			Round
10									GASKET, Exhaust Manifold
	53032965AF	1	J, T, U			EZH			Left Side
	53032966AF	1	J, T, U			EZH			Right Side
11	05135457AF	1	J, T, U			EZH	DGQ		GASKET KIT, Engine, Lower
12	05140028AA	1	J, T, U			EZH			RETAINER KIT, Crankshaft Rear Oil Seal
13	53021144AA	1	J, T, U			EZH			O RING, Engine Oil Indicator Tube
14	05164915AG	1	J, T, U			EZH			GASKET, Oil Pan
15	53020861	1	J, T, U			EZH			SEAL, Oil Pick Up Tube
16	05139933AB	1	J, T, U			EZH			GASKET KIT, Timing Cover
17	04792922AB	1	J, T, U			EZH			GASKET, Water Pump
18	53021585AD	1	J, T, U			EZH			SEAL, Crankshaft Oil, Front

GRAND CHEROKEE (WK)

SERIES LINE
H = HIGHLINE T = JEEP - 2WD
P = PREMIUM J = JEEP - 4WD
S = SPORT U = JEEP - 4WD (RHD)

BODY
74 = SPORT UTILITY 4-DR
TYPE #4

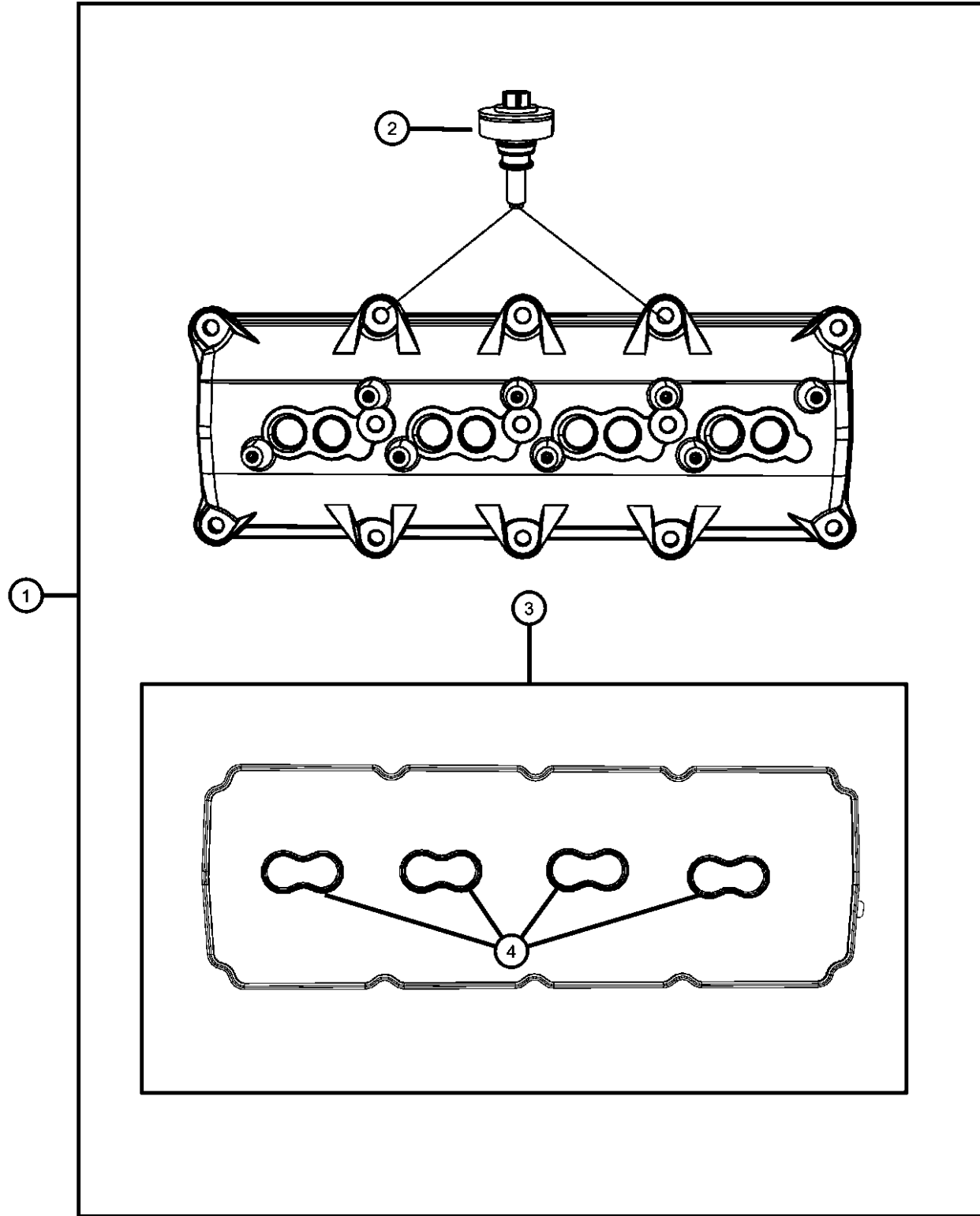
ENGINE
ERB = 3.XL Mid V6 Engine
EZH = 5.7L V8 HEMI MDS
VVT Engine
EXF = 3.0L V6 Turbo Diesel
Engine

TRANSMISSION
DGQ = 5-Spd Automatic 545RFE
Transmission
DGJ = 5-Speed Auto W5A580
Transmission

AR = use ase required - = Non illustrated part

2011 WK

**Cylinder Head Covers 5.7L [EZH]
Figure 009EZH-205**



ITEM	PART NUMBER	QTY	LINE	SERIES	BODY	ENGINE	TRANS	TRIM	DESCRIPTION
1	53022085AD	2	J, T, U			EZH			COVER, Cylinder Head
2	06509387AA	20	J, T, U			EZH			BOLT AND GROMMET, Special, M6X1.00X30.00, Cylinder Head Cover To Cylinder Head, Mounting
3	05114179AB	2	J, T, U			EZH			GASKET KIT, Cylinder Head Cover
4	53021569AD	8	J, T, U			EZH			GASKET, Spark Plug Well

GRAND CHEROKEE (WK)

SERIES LINE
H = HIGHLINE T = JEEP - 2WD
P = PREMIUM J = JEEP - 4WD
S = SPORT U = JEEP - 4WD (RHD)

BODY
74 = SPORT UTILITY 4-DR
TYPE #4

ENGINE
ERB = 3.XL Mid V6 Engine
EZH = 5.7L V8 HEMI MDS
VVT Engine
EXF = 3.0L V6 Turbo Diesel
Engine

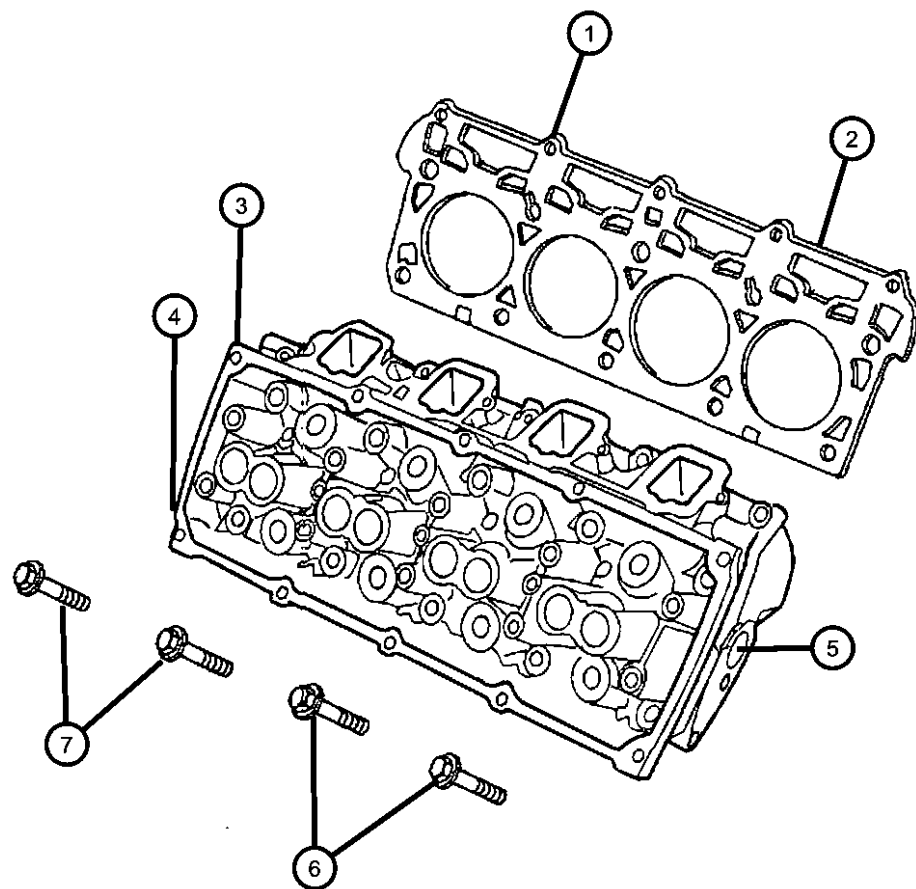
TRANSMISSION
DGQ = 5-Spd Automatic 545RFE
Transmission
DGJ = 5-Speed Auto W5A580
Transmission

AR = use ase required - = Non illustrated part

2011 WK

**Cylinder Heads 5.7L [EZH]
Figure 009EZH-225**

ITEM	PART NUMBER	QTY	LINE	SERIES	BODY	ENGINE	TRANS	TRIM	DESCRIPTION
1	53022306AA	1	J, T, U			EZH			GASKET, Cylinder Head, Right
2	53022307AA	1	J, T, U			EZH			GASKET, Cylinder Head, Left
3	53021608DE	1	J, T, U			EZH			HEAD, Cylinder, Right
4	53021609DE	1	J, T, U			EZH			HEAD, Cylinder, Left
5									PLUG, Core
	06036308AA	2	J, T, U			EZH			Right Cylinder Head
		2	J, T, U			EZH			Left Cylinder Head
6	06506334AA	10	J, T, U			EZH			BOLT, Hex Flange Head, M8X1.25X45.00, Cylinder Head To Cylinder Block, Mounting
7	06506694AA	20	J, T, U			EZH			BOLT AND CONED WASHER, Hex Head, M12X1.50X135.00, Cylinder Head To Cylinder Block, Mounting



GRAND CHEROKEE (WK)

SERIES LINE
H = HIGHLINE T = JEEP - 2WD
P = PREMIUM J = JEEP - 4WD
S = SPORT U = JEEP - 4WD (RHD)

BODY
74 = SPORT UTILITY 4-DR
TYPE #4

ENGINE
ERB = 3.XL Mid V6 Engine
EZH = 5.7L V8 HEMI MDS
VVT Engine
EXF = 3.0L V6 Turbo Diesel
Engine

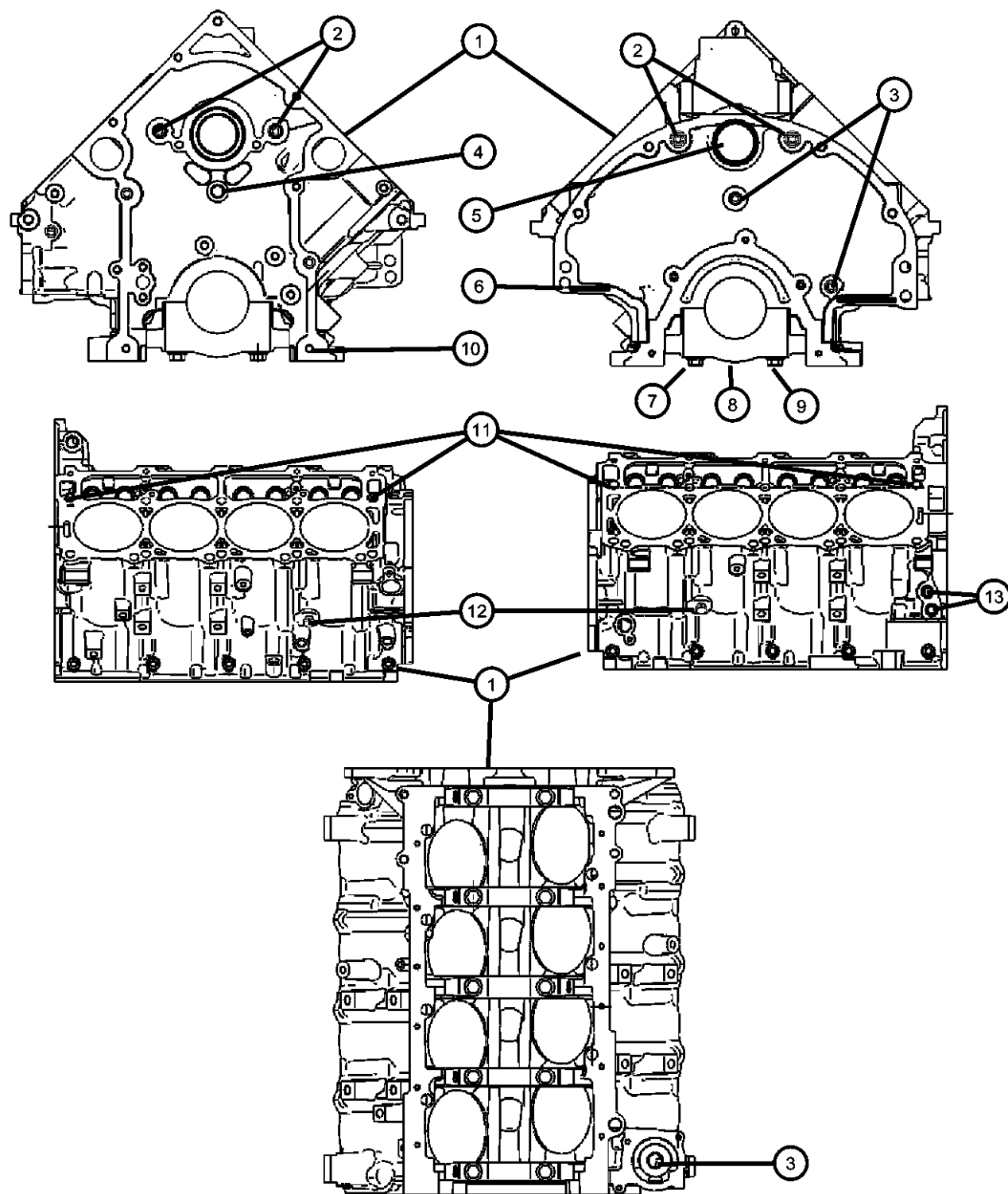
TRANSMISSION
DGQ = 5-Spd Automatic 545RFE
Transmission
DGJ = 5-Speed Auto W5A580
Transmission

AR = use ase required - = Non illustrated part

2011 WK

Engine Cylinder Block And Hardware 5.7L [EZH]

Figure 009EZH-305



ITEM	PART NUMBER	QTY	LINE	SERIES	BODY	ENGINE	TRANS	TRIM	DESCRIPTION
Shortblock Does Not Include Camshaft, Lifters, Oil Pump Or Oil Pan, But Does Include The Camshaft Bearings.									
1	68061157AA	1	J, T, U			EZH	DGQ		ENGINE, Short Block, See Note
2	06036417AA	4	J, T, U			EZH			PLUG, Cylinder Block, .375-18X1.343, Oil Gallery
3	06036307AA	2	J, T, U			EZH			PLUG, Pipe, .250-18X.413
		1	J, T, U			EZH			Oil Gallery
4		1	J, T, U			EZH			Coolant Block Off
5	06507663AA	1	J, T, U			EZH			PLUG, Cylinder Block, .562X.280 Stainless, Serviced With Short Block, (NOT SERVICED),
6	01122532	2	J, T, U			EZH			PLUG, Camshaft, [M47.93 OD 6.4 THK 51.5 FLG OD]Rear
7		2	J, T, U			EZH			DOWEL, Block to Clutch Housing, 1/2X3/4
8		2	J, T, U			EZH			STUD, Double Ended, M12&M8, (NOT SERVICED)
9	06506272AA	10	J, T, U			EZH			CAP, Main, Serviced By New Short Block Engine, (NOT SERVICED)
10	06506332AA	2	J, T, U			EZH			BOLT, Hex Flange Head, M12X1.75X91.50, Main Bearing Cap To Cylinder Block, Mounting
11	05240849	4	J, T, U			EZH			PIN, Dowel, M8X10.00, Timing Chain Case Cover To Cylinder Block, Mounting
12	06036592AA	2	J, T, U			EZH			DOWEL PIN, Cylinder Head To Cylinder Block, Mounting
13	06034331	1	J, T, U			EZH			PLUG, .250-18X.690, Cylinder Block Coolant Drain
						EZH			PLUG, Hex Socket, 3/8-18NPTx.475, Oil Gallery

GRAND CHEROKEE (WK)

SERIES LINE
 H = HIGHLINE T = JEEP - 2WD
 P = PREMIUM J = JEEP - 4WD
 S = SPORT U = JEEP - 4WD (RHD)

BODY
 74 = SPORT UTILITY 4-DR
 TYPE #4

ENGINE
 ERB = 3.XL Mid V6 Engine
 EZH = 5.7L V8 HEMI MDS
 VVT Engine
 EXF = 3.0L V6 Turbo Diesel
 Engine

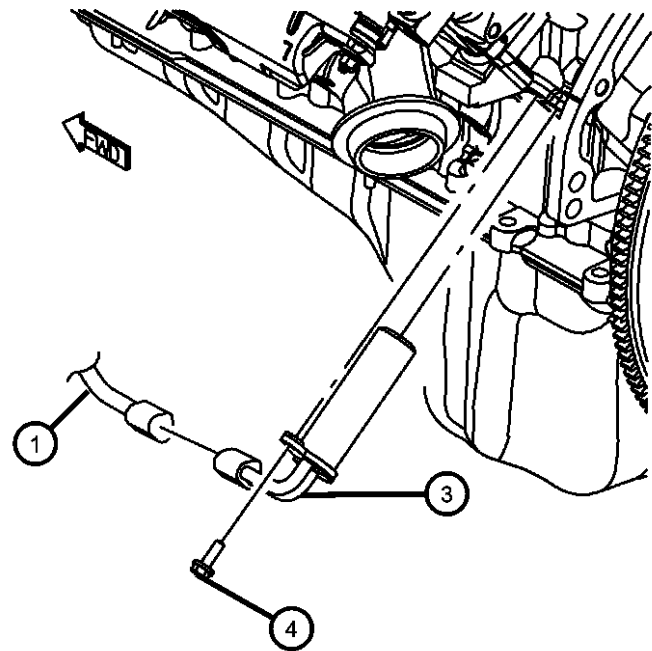
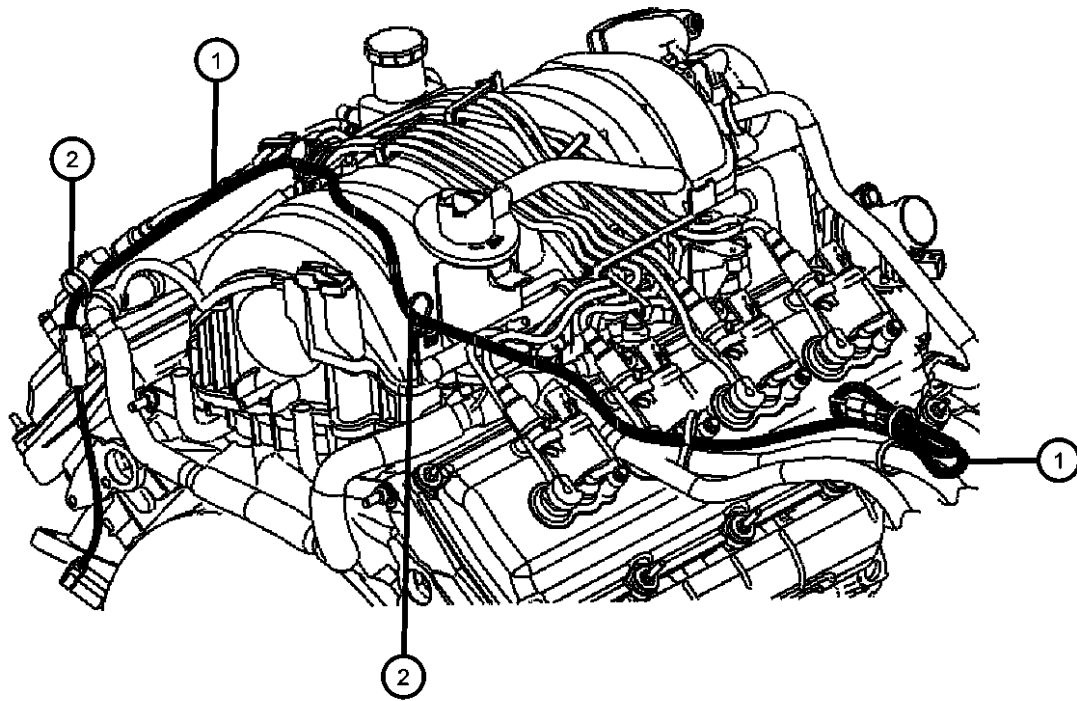
TRANSMISSION
 DGQ = 5-Spd Automatic 545RFE
 Transmission
 DGJ = 5-Speed Auto W5A580
 Transmission

AR = use ase required - = Non illustrated part

2011 WK

**Engine Cylinder Block Heater 5.7L [EZH]
Figure 009EZH-325**

ITEM	PART NUMBER	QTY	LINE	SERIES	BODY	ENGINE	TRANS	TRIM	DESCRIPTION
1	68070034AA	1	J, T, U			EZH			CORD, Engine Block Heater
2	56008876	1	J, T, U			EZH			STRAP, Tie
3	05149022AB	1	J, T, U			EZH			HEATER, Engine Block
4	06501373	1	J, T, U			EZH			BOLT, Hex Head, M6x1.00x20.00, Engine Block Heater, Mounting



GRAND CHEROKEE (WK)

SERIES LINE
H = HIGHLINE T = JEEP - 2WD
P = PREMIUM J = JEEP - 4WD
S = SPORT U = JEEP - 4WD (RHD)

BODY
74 = SPORT UTILITY 4-DR
TYPE #4

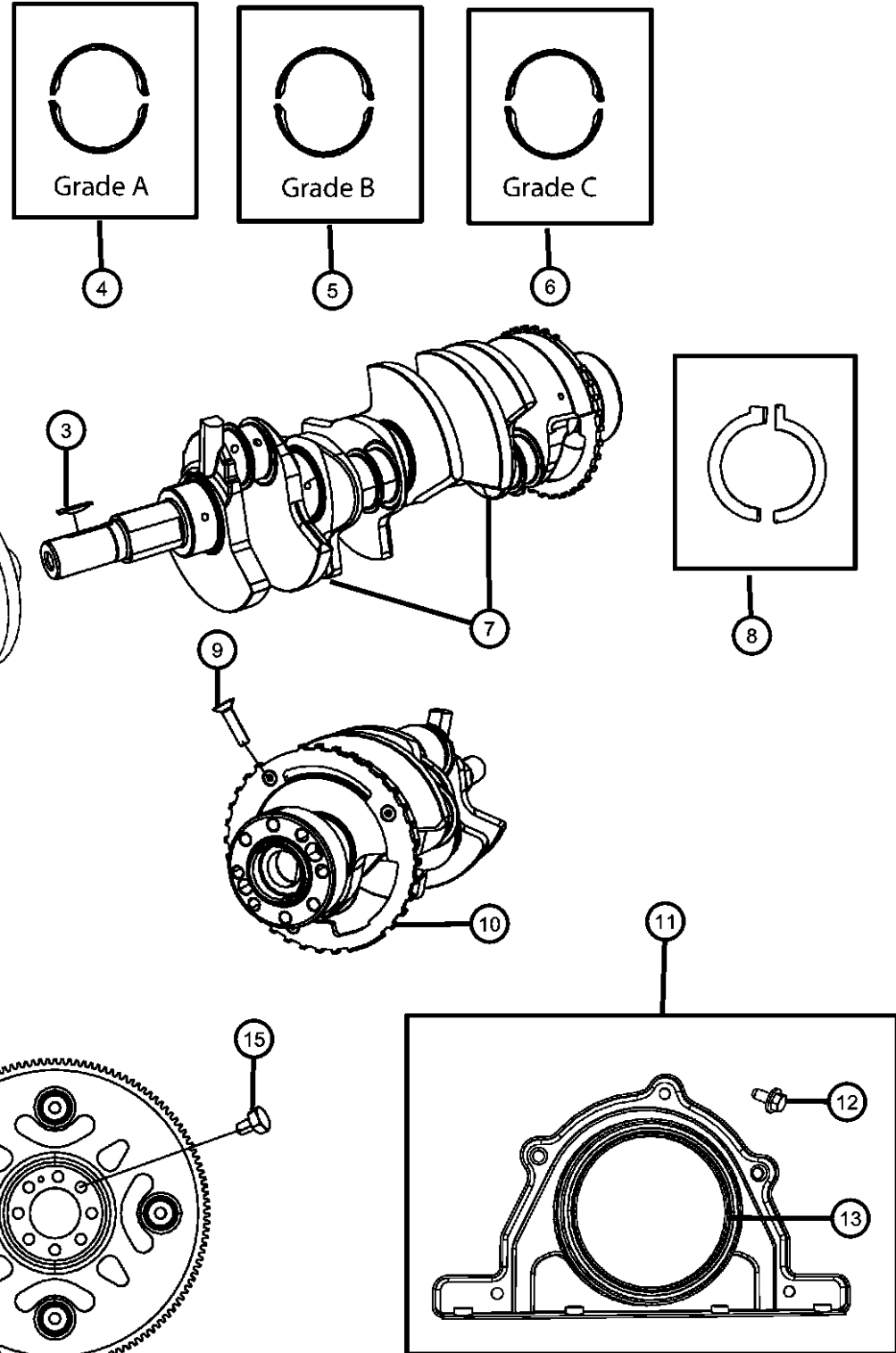
ENGINE
ERB = 3.XL Mid V6 Engine
EZH = 5.7L V8 HEMI MDS
VVT Engine
EXF = 3.0L V6 Turbo Diesel
Engine

TRANSMISSION
DGQ = 5-Spd Automatic 545RFE
Transmission
DGJ = 5-Speed Auto W5A580
Transmission

AR = use ase required - = Non illustrated part

2011 WK

**Crankshaft, Crankshaft Bearings, Damper And Flywheel 5.7L [EZH]
Figure 009EZH-405**



ITEM	PART NUMBER	QTY	LINE	SERIES	BODY	ENGINE	TRANS	TRIM	DESCRIPTION
For Crankshaft Identification, Stamping Location And Bearing Information Refer To The Service Manual. For Bearing Selection Sizes Please Refer To Service Manual Group 9, Bearings Crankshaft Main, [Select Fit Identification]									
1	06508400AA	1	J, T, U			EZH			BOLT AND CONED WASHER, Hex Head, M14X1.5X102.00, Damper To Crankshaft, Mounting
2	53022413AA	1	J, T, U			EZH			DAMPER, Crankshaft
3	06506397AA	1	J, T, U			EZH			KEY, Woodruff
4	68046262AB	AR	J, T, U			EZH			BEARING KIT, Crankshaft, A Grade, See Note
5	68046263AB	AR	J, T, U			EZH			BEARING KIT, Crankshaft, B Grade, See Note
6	68048303AB	AR	J, T, U			EZH			BEARING KIT, Crankshaft, C Grade, See Note
7	53021302BC	1	J, T, U			EZH			CRANKSHAFT, See Note
8	05083979AA	1	J, T, U			EZH			BEARING KIT, Crankshaft Thrust, Std
9		1							SCREW, M6x1x25, Serviced With Crankshaft, (NOT SERVICED)
10		1							TONE RING, Sensor, Serviced With Crankshaft, (NOT SERVICED)
11	05140028AA	1	J, T, U			EZH			RETAINER KIT, Crankshaft Rear Oil Seal
12	06506342AA	5	J, T, U			EZH			BOLT, Hex Flange Head, M6X1.00X24.00, Rear Oil Seal Retainer To Cylinder Block, Mounting
13		5							SEAL, Crankshaft Oil, Rear, Serviced In Item 11, (NOT SERVICED)
14	04736604AA	1	J, T, U			EZH	DGQ		PLATE, Torque Converter Drive
15	06503465	8	J, T, U			EZH	DGQ		BOLT, Hex Head Lock, M10X1.00X18.00, Torque Converter Drive Plate To Crankshaft, Mounting

GRAND CHEROKEE (WK)

SERIES LINE
H = HIGHLINE T = JEEP - 2WD
P = PREMIUM J = JEEP - 4WD
S = SPORT U = JEEP - 4WD (RHD)

BODY
74 = SPORT UTILITY 4-DR
TYPE #4

ENGINE
ERB = 3.XL Mid V6 Engine
EZH = 5.7L V8 HEMI MDS
VVT Engine
EXF = 3.0L V6 Turbo Diesel
Engine

TRANSMISSION
DGQ = 5-Speed Automatic 545RFE
Transmission
DGJ = 5-Speed Auto W5A580
Transmission

AR = use ase required - = Non illustrated part

2011 WK

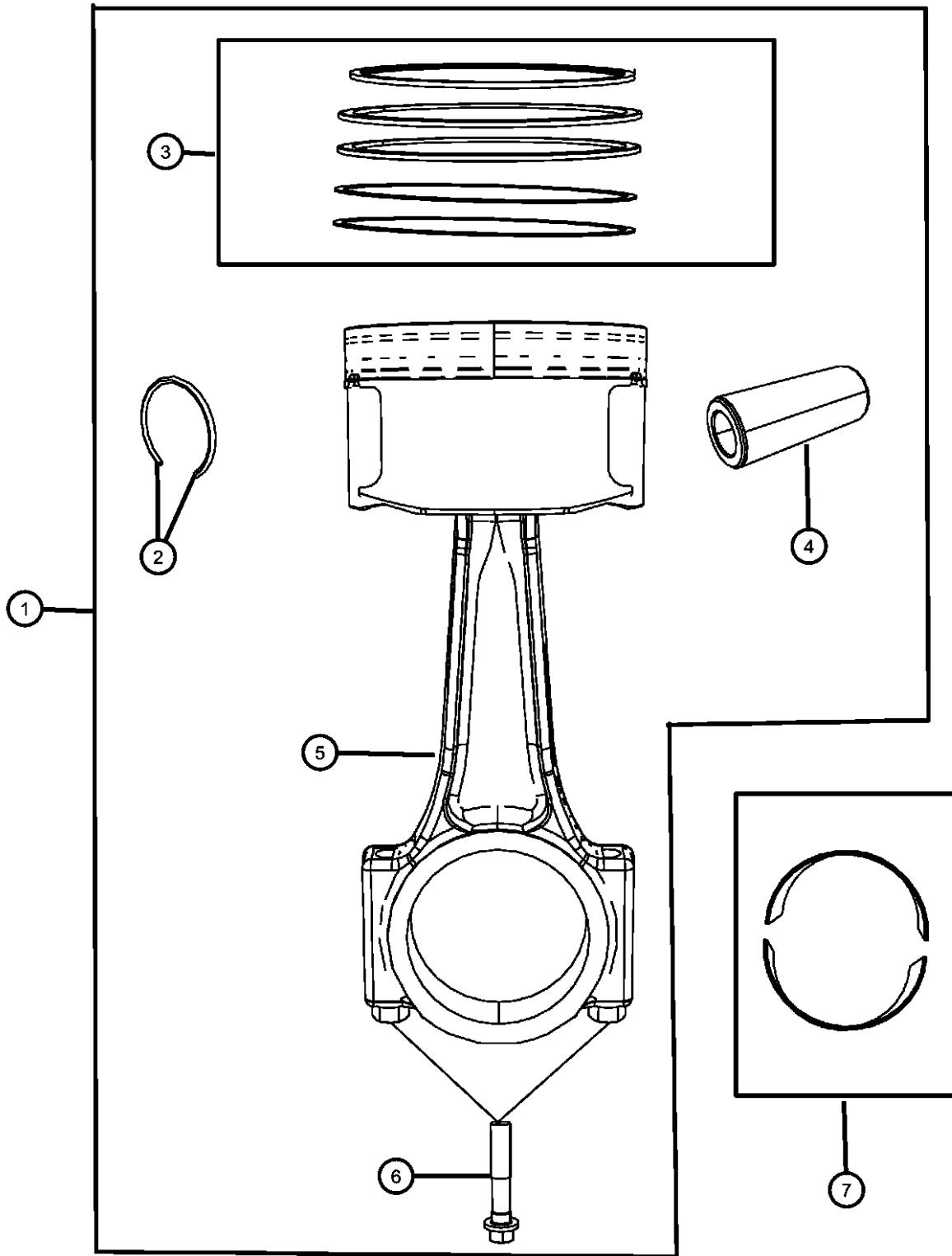
**Pistons, Piston Rings, Connecting Rods And Connecting Rod Bearings 5.7L [EZH]
Figure 009EZH-425**

ITEM	PART NUMBER	QTY	LINE	SERIES	BODY	ENGINE	TRANS	TRIM	DESCRIPTION
------	-------------	-----	------	--------	------	--------	-------	------	-------------

For Crankshaft Identification, Stamping Location And Bearing Information Refer To The Service Manual.

For Bearing Selection Sizes Please Refer To Service Manual Group 9, Bearings Crankshaft Main, [Select Fit Identification]

1									PISTON PIN AND ROD
	53022257AD	4	J, T, U			EZH			Cylinders 1,3,5,7
	53022258AD	4	J, T, U			EZH			Cylinders 2,4,6,8
2		4							RING, Piston Pin, Serviced With Piston Package, (NOT SERVICED),
3	68046210AB	1	J, T, U			EZH	DGQ		RING KIT, Piston, Standard
4		1							PIN, Piston, Serviced With Piston Package, (NOT SERVICED)
5		1							ROD, Connecting, Serviced With Piston Package, (NOT SERVICED)
6	06506335AA	8	J, T, U			EZH			BOLT, Connecting Rod
7	68029429AB	AR	J, T, U			EZH			BEARING KIT, Connecting Rod, Standard, See Note



GRAND CHEROKEE (WK)

SERIES LINE
H = HIGHLINE T = JEEP - 2WD
P = PREMIUM J = JEEP - 4WD
S = SPORT U = JEEP - 4WD (RHD)

BODY
74 = SPORT UTILITY 4-DR
TYPE #4

ENGINE
ERB = 3.XL Mid V6 Engine
EZH = 5.7L V8 HEMI MDS
VVT Engine
EXF = 3.0L V6 Turbo Diesel
Engine

TRANSMISSION
DGQ = 5-Spd Automatic 545RFE
Transmission
DGJ = 5-Speed Auto W5A580
Transmission

AR = use ase required - = Non illustrated part

2011 WK

**Camshaft And Valvetrain 5.7L [EZH]
Figure 009EZH-505**

ITEM	PART NUMBER	QTY	LINE	SERIES	BODY	ENGINE	TRANS	TRIM	DESCRIPTION
1	53021552AA	2	J, T, U			EZH			ROCKER ARM, Intake
2	53021553AA	2	J, T, U			EZH			ROCKER ARM, Exhaust
3									BOLT, Hex Flange Head, M8X1.25X50.00
	06507072AA	10	J, T, U			EZH			Rocker Arm Shaft To Cylinder Head, Mounting
		10	J, T, U			EZH			
4	53010515AA	32	J, T, U			EZH			LOCK, Valve Spring Retainer
5	53021676AB	16	J, T, U			EZH			RETAINER, Valve Spring
6	68080909AA	16	J, T, U			EZH			SPRING KIT, Valve
7	53022090AB	16	J, T, U			EZH			SEAL, Valve Guide
8	53022087AA	8	J, T, U			EZH			VALVE, Intake, Standard
9	53022088AB	8	J, T, U			EZH			VALVE, Exhaust, Standard
10	53022178AE	1	J, T, U			EZH			PLATE, Camshaft Thrust
11	06102205AA	4	J, T, U			EZH			BOLT, Recessed Torx head, M6X1.00X15.00, Camshaft Thrust Plate To Cylinder Block, Mounting
12	53022372AA	1	J, T, U			EZH			CAMSHAFT, Engine
13	53022298AA	4	J, T, U			EZH			SOLENOID, Multiple Displacement
14	06507663AA	1	J, T, U			EZH			PLUG, CamshaftRear
15									LIFTERS AND YOKE, Hydraulic, Engine
	53021726BB	2	J, T, U			EZH			Front
	53021728BB	2	J, T, U			EZH			Rear
16									BOLT, Hex Flange Head, M6x1.00x14.00
	06509208AA	2	J, T, U			EZH			Lifter Guide To Cylinder Block, Mounting
		2	J, T, U			EZH			
17									YOKE, Tappet Aligning
	53021727AC	2	J, T, U			EZH			Front
	53021729AC	2	J, T, U			EZH			Rear
18		2							LIFTER, Hydraulic Roller Deactivating, Serviced In Item 15, (NOT SERVICED)
19	53021556BB	8	J, T, U			EZH			PUSH ROD, Intake Valve
20	53021557BB	8	J, T, U			EZH			PUSH ROD, Exhaust Valve

GRAND CHEROKEE (WK)

SERIES LINE
H = HIGHLINE T = JEEP - 2WD
P = PREMIUM J = JEEP - 4WD
S = SPORT U = JEEP - 4WD (RHD)

BODY
74 = SPORT UTILITY 4-DR TYPE #4

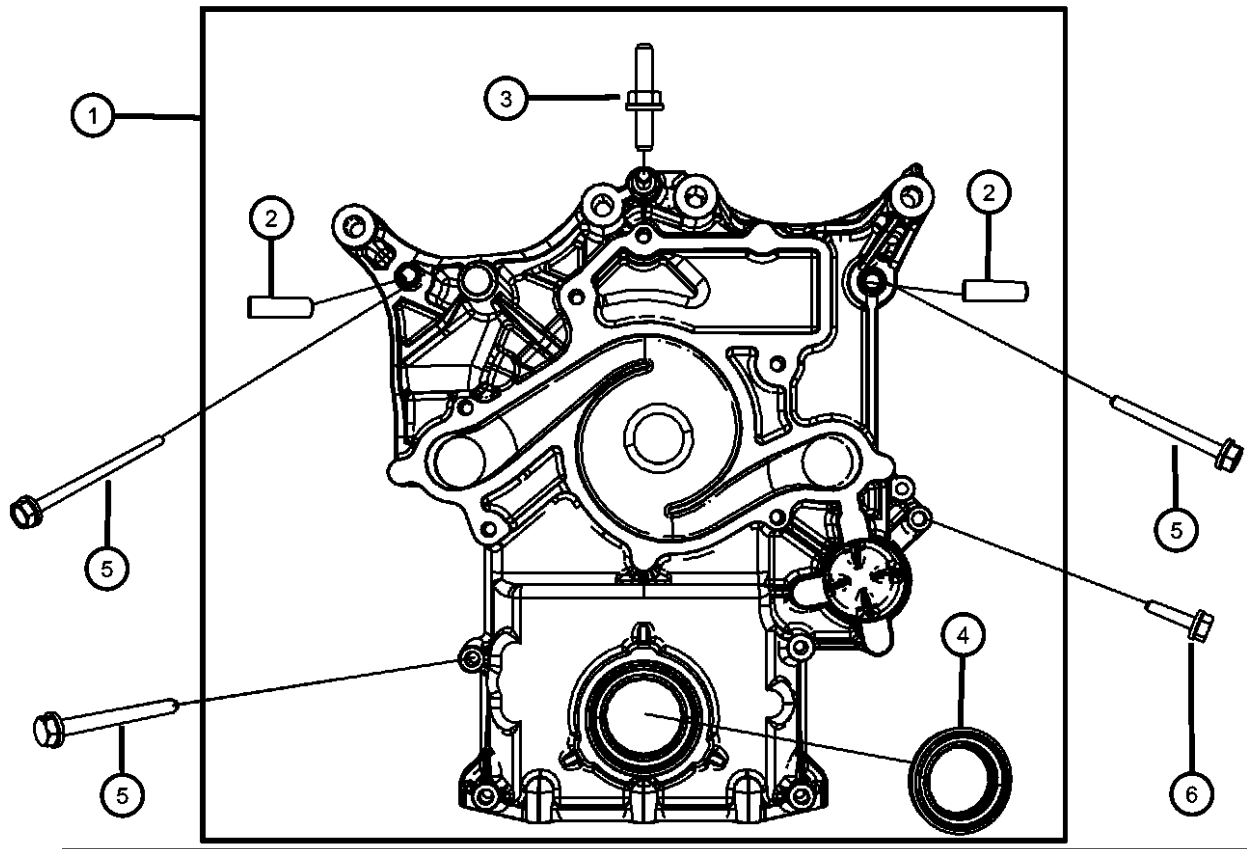
ENGINE
ERB = 3.XL Mid V6 Engine
EZH = 5.7L V8 HEMI MDS VVT Engine
EXF = 3.0L V6 Turbo Diesel Engine

TRANSMISSION
DGQ = 5-Spd Automatic 545RFE Transmission
DGJ = 5-Speed Auto W5A580 Transmission

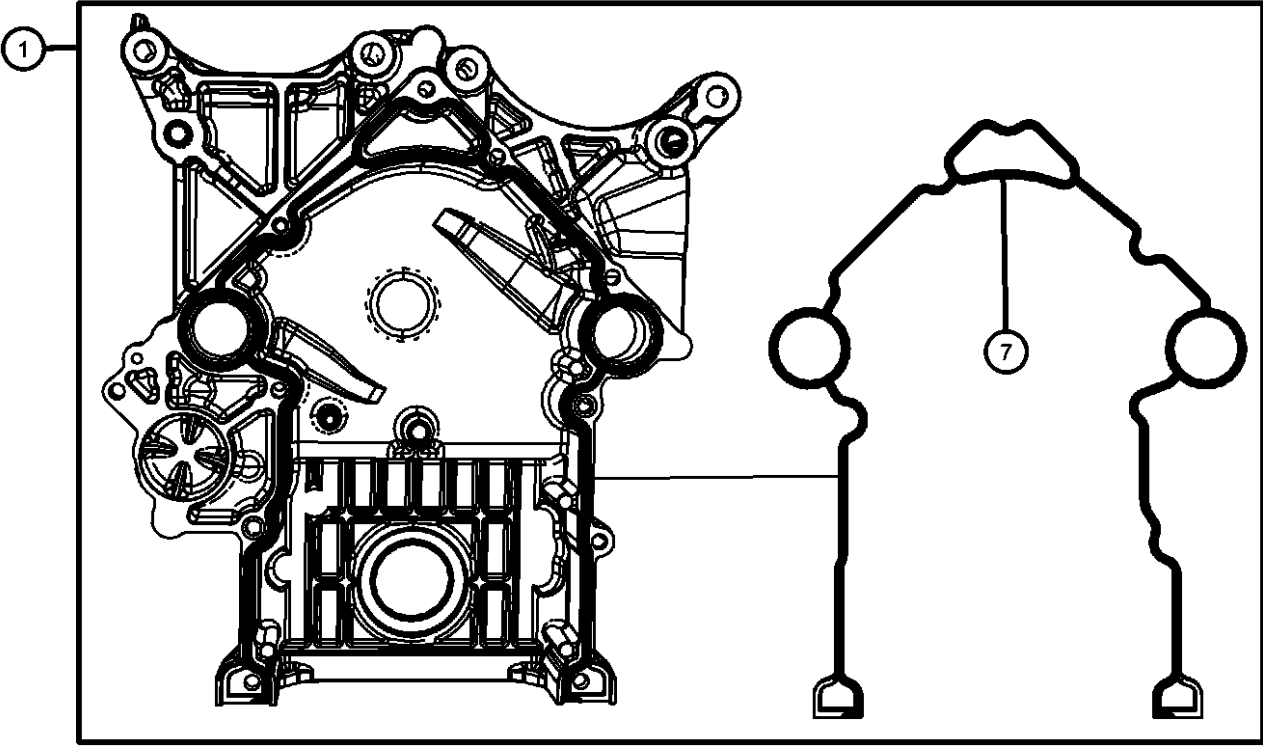
AR = use ase required - = Non illustrated part

2011 WK

Timing Case Cover 5.7L [EZH]
Figure 009EZH-605



ITEM	PART NUMBER	QTY	LINE	SERIES	BODY	ENGINE	TRANS	TRIM	DESCRIPTION
1	53022096AF	1	J, T, U			EZH			COVER, Timing Case
2	06506697AA	2	J, T, U			EZH			BUSHING, Timing Cover
3	06506343AA	1	J, T, U			EZH			STUD, Double Ended, M10X1.50X25.00
4	53021585AD	1	J, T, U			EZH			SEAL, Crankshaft Oil, Front
5									BOLT AND CONED WASHER, Hex Head, M8X1.25X85.00
	06102184AA	4	J, T, U			EZH			Timing Case Cover To Cylinder Block, Mounting
		4	J, T, U			EZH			, Mounting
6	06506269AA	5	J, T, U			EZH			BOLT AND CONED WASHER, Hex Head, M8X1.25X35.00, Timing Case Cover To Cylinder Block, Mounting
7	05139933AB	1	J, T, U			EZH			GASKET KIT, Timing Cover



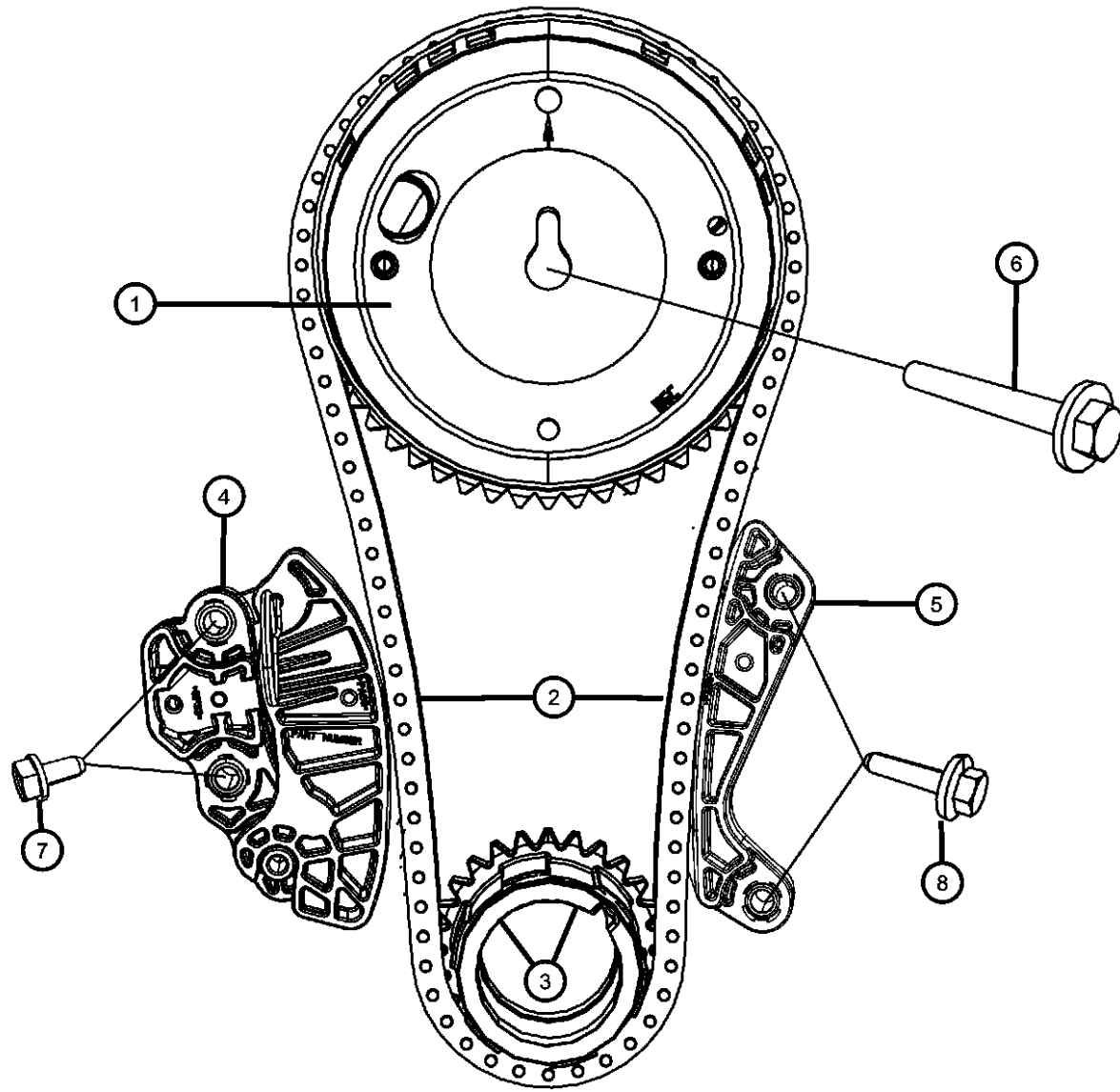
GRAND CHEROKEE (WK)

SERIES	LINE	BODY	ENGINE	TRANSMISSION
H = HIGHLINE	T = JEEP - 2WD	74 = SPORT UTILITY 4-DR	ERB = 3.XL Mid V6 Engine	DGQ = 5-Spd Automatic 545RFE
P = PREMIUM	J = JEEP - 4WD	TYPE #4	EZH = 5.7L V8 HEMI MDS VVT Engine	Transmission
S = SPORT	U = JEEP - 4WD (RHD)		EXF = 3.0L V6 Turbo Diesel Engine	DGJ = 5-Speed Auto W5A580 Transmission

AR = use ase required - = Non illustrated part

Timing System 5.7L [EZH]
Figure 009EZH-625

ITEM	PART NUMBER	QTY	LINE	SERIES	BODY	ENGINE	TRANS	TRIM	DESCRIPTION
1	53022243AF	1	J, T, U			EZH			PHASER, Camshaft
2	53022316AC	1	J, T, U			EZH			CHAIN, Timing
3	53022317AC	1	J, T, U			EZH			SPROCKET, Crankshaft
4	53022115AG	1	J, T, U			EZH			TENSIONER, Chain
5	53022315AD	1	J, T, U			EZH			GUIDE, Timing Chain
6	06102430AA	1	J, T, U			EZH			BOLT AND CONED WASHER, Hex Head, M12X1.75X95.00, Phaser To Camshaft, Mounting
7	06509174AA	4	J, T, U			EZH			BOLT AND CONED WASHER, Hex Head, M6x1.00x30.00, Tensioner To Cylinder Block, Mounting
8	06102205AA	4	J, T, U			EZH			BOLT, Recessed Torx head, M6X1.00X15.00, Chain Guide To Cylinder Block, Mounting



GRAND CHEROKEE (WK)

SERIES LINE
H = HIGHLINE T = JEEP - 2WD
P = PREMIUM J = JEEP - 4WD
S = SPORT U = JEEP - 4WD (RHD)

BODY
74 = SPORT UTILITY 4-DR
TYPE #4

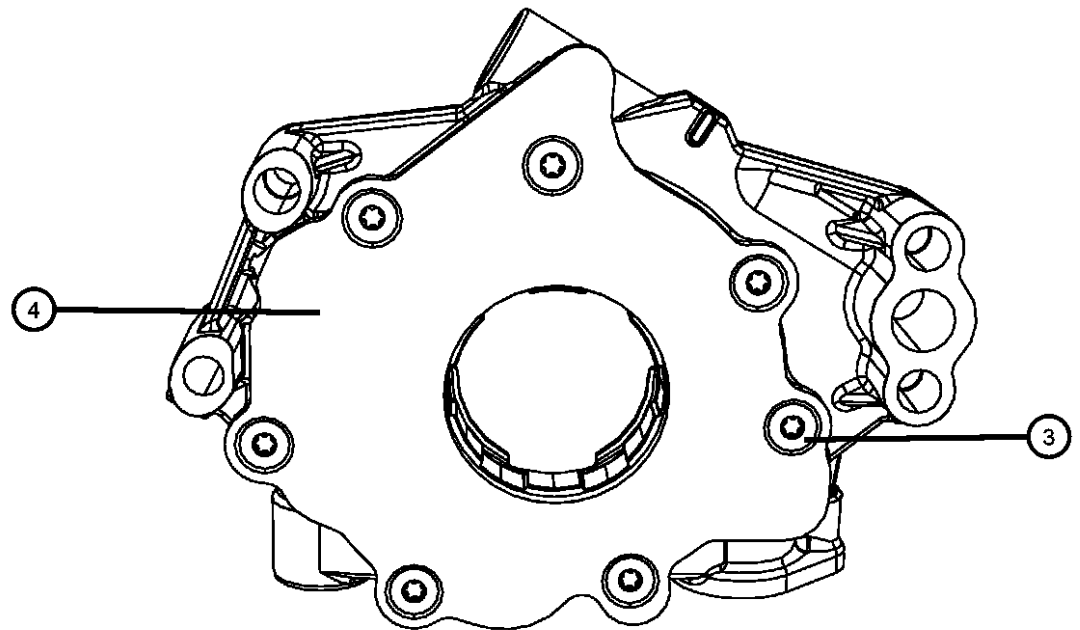
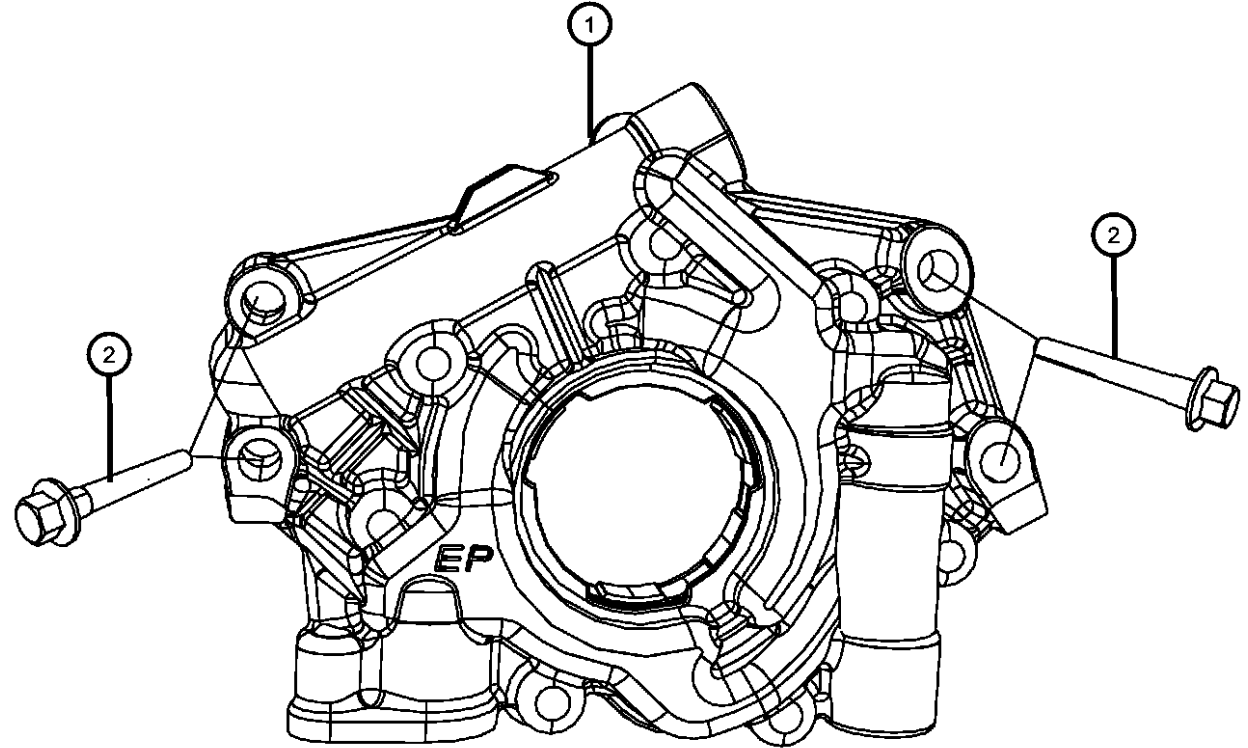
ENGINE
ERB = 3.XL Mid V6 Engine
EZH = 5.7L V8 HEMI MDS
VVT Engine
EXF = 3.0L V6 Turbo Diesel
Engine

TRANSMISSION
DGQ = 5-Spd Automatic 545RFE
Transmission
DGJ = 5-Speed Auto W5A580
Transmission

AR = use ase required - = Non illustrated part

2011 WK

**Engine Oiling Pump 5.7L [EZH]
Figure 009EZH-705**



ITEM	PART NUMBER	QTY	LINE	SERIES	BODY	ENGINE	TRANS	TRIM	DESCRIPTION
1	53021622BF	1	J, T, U			EZH			PUMP, Engine Oil
2	06101233	4	J, T, U			EZH			BOLT AND CONED WASHER, Hex Head, M8X1.25X65.00, Oil Pump To Cylinder Block, Mounting
3		4							SCREW, Torx Head, Serviced With Oil Pump, (NOT SERVICED)
4		4							COVER, Engine Oil Pump, Serviced With Oil Pump, (NOT SERVICED)

GRAND CHEROKEE (WK)

SERIES LINE
H = HIGHLINE T = JEEP - 2WD
P = PREMIUM J = JEEP - 4WD
S = SPORT U = JEEP - 4WD (RHD)

BODY
74 = SPORT UTILITY 4-DR
TYPE #4

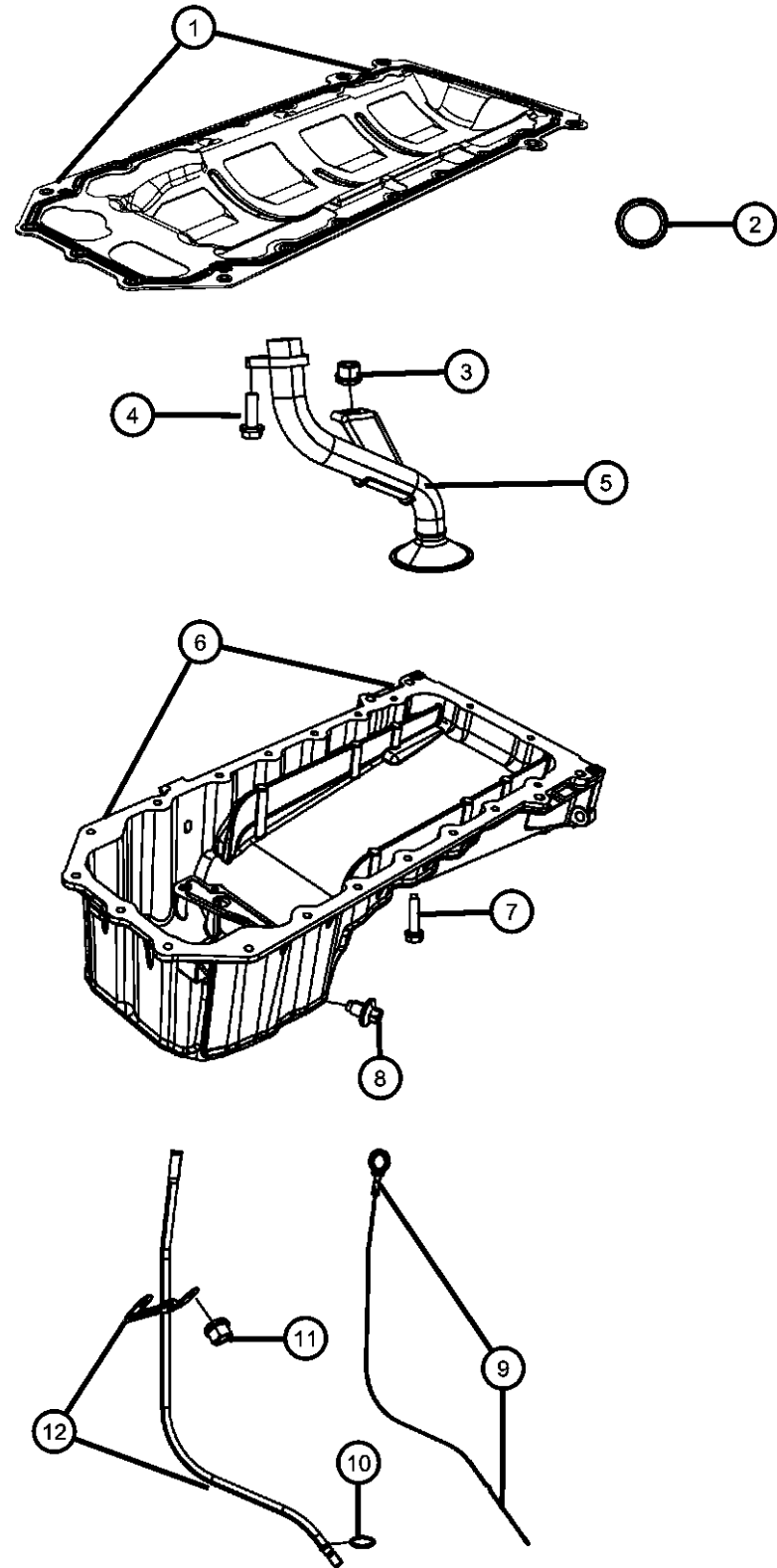
ENGINE
ERB = 3.XL Mid V6 Engine
EZH = 5.7L V8 HEMI MDS
VVT Engine
EXF = 3.0L V6 Turbo Diesel
Engine

TRANSMISSION
DGQ = 5-Spd Automatic 545RFE
Transmission
DGJ = 5-Speed Auto W5A580
Transmission

AR = use ase required - = Non illustrated part

2011 WK

**Engine Oil Pan, Engine Oil Level Indicator And Related Parts 5.7L [EZH]
Figure 009EZH-725**



ITEM	PART NUMBER	QTY	LINE	SERIES	BODY	ENGINE	TRANS	TRIM	DESCRIPTION
1	05164915AG	1	J, T, U			EZH			GASKET, Oil Pan
2	53020861	1	J, T, U			EZH			SEAL, Oil Pick Up Tube
3		1							NUT, Hex Lock, M8x1.25, (NOT SERVICED)
4		1							BOLT AND CONED WASHER, Hex Head, M8X1.25X27.00, (NOT SERVICED)
5	53021522BD	1	J, T, U			EZH	DGQ		TUBE, Oil Pickup
6	53022343AH	1	J, T, U			EZH			PAN, Engine Oil
7	06509451AA	20	J, T, U			EZH			BOLT, Hex Flange Head, M6X1.00X37.00, Oil Pan To Cylinder Block, Mounting
8	06507741AA	1	J, T, U			EZH			PLUG, Oil Drain
9	53034186AB	1	J, T, U			EZH			INDICATOR, Engine Oil Level
10	53021144AA	1	J, T, U			EZH			O RING, Engine Oil Indicator Tube
11	06505316AA	1	J, T, U			EZH			NUT, Hex Flange Lock, M6X1.00
12	53034185AD	1	J, T, U			EZH			TUBE, Engine Oil Indicator

GRAND CHEROKEE (WK)

SERIES LINE
H = HIGHLINE T = JEEP - 2WD
P = PREMIUM J = JEEP - 4WD
S = SPORT U = JEEP - 4WD (RHD)

BODY
74 = SPORT UTILITY 4-DR
TYPE #4

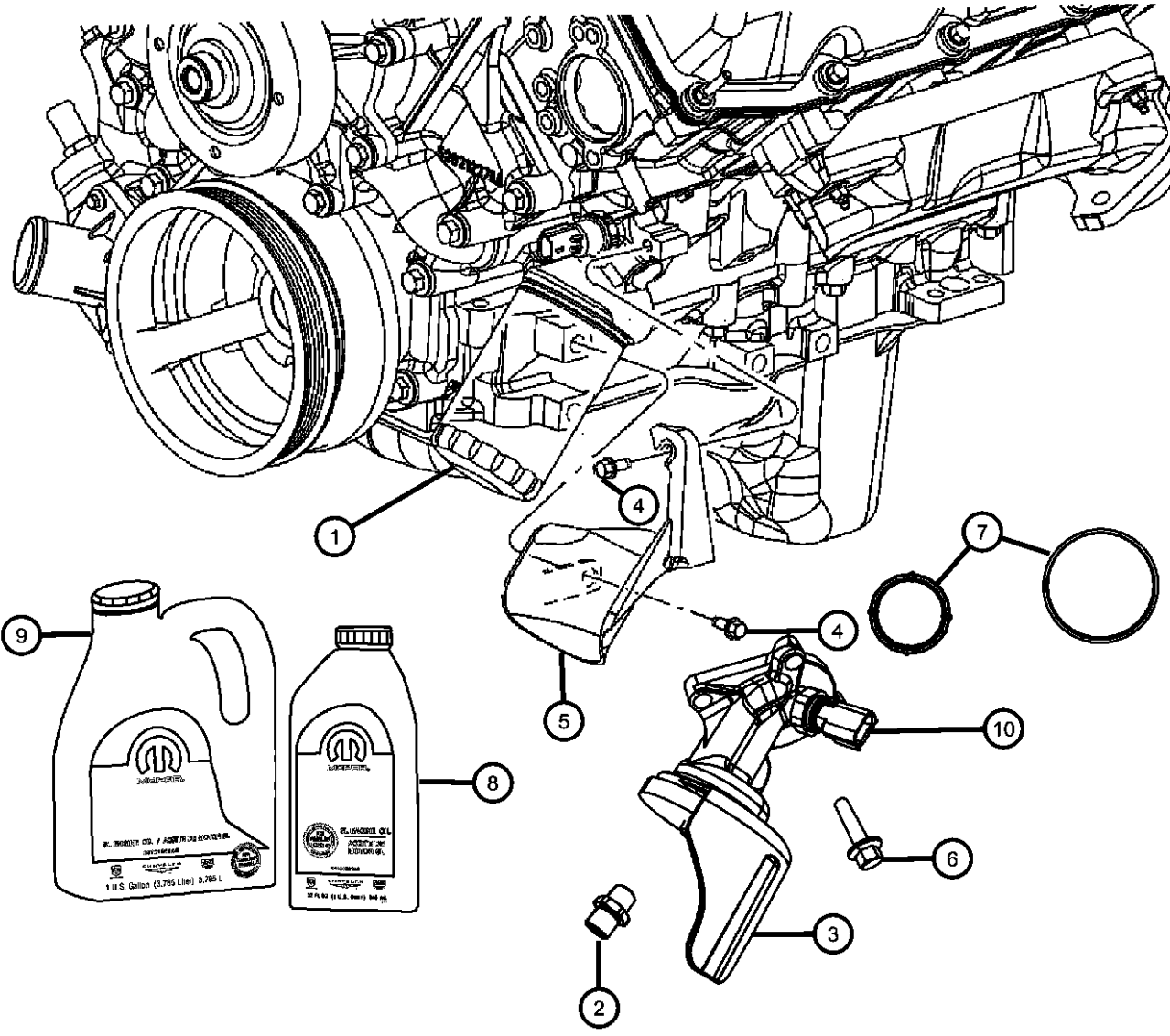
ENGINE
ERB = 3.XL Mid V6 Engine
EZH = 5.7L V8 HEMI MDS
VVT Engine
EXF = 3.0L V6 Turbo Diesel
Engine

TRANSMISSION
DGQ = 5-Spd Automatic 545RFE
Transmission
DGJ = 5-Speed Auto W5A580
Transmission

AR = use ase required - = Non illustrated part

2011 WK

**Engine Oil, Engine Oil Filter And Adapter 5.7L [EZH]
Figure 009EZH-745**



ITEM	PART NUMBER	QTY	LINE	SERIES	BODY	ENGINE	TRANS	TRIM	DESCRIPTION
1	04884899AB	1	J, T, U			EZH			FILTER, Engine Oil
2	04892338AA	1	J, T			EZO			CONNECTOR, Oil Filter, M22X1.50
		1	J, T, U			EZH			
3	53013680AD	1	J, T			EZO			ADAPTER, Oil Filter
		1	J, T, U			EZH			
4		1							SCREW & WASHER, Hex Head Tapping, M8x1.25x25.00, (NOT SERVICED)
5		1							GUARD, Splash, (NOT SERVICED)
6	06102041AA	3	J, T, U			EZH			BOLT, Hex Flange Head, M6X1.00X25.00, Oil Filter Adapter To Cylinder Block, Mounting SEAL
7	53021660AC	1	J, T, U			EZH			Small
	53021661AA	1	J, T, U			EZH			Large
8	04761872MA	AR	J, T, U			EZH			ENGINE OIL, 5W20, Quart, MS-10797 [API SM ILSAC GF-4]
9	04761851AF	AR	J, T, U			EZH			ENGINE OIL, 5W20, Gallon, MS-10797 [API SM ILSAC GF-4]
10	05149062AA	1	J, T, U			EZH			SENDING UNIT, Oil Pressure
		1	J, T			EZO			

GRAND CHEROKEE (WK)

SERIES LINE
H = HIGHLINE T = JEEP - 2WD
P = PREMIUM J = JEEP - 4WD
S = SPORT U = JEEP - 4WD (RHD)

BODY
74 = SPORT UTILITY 4-DR
TYPE #4

ENGINE
ERB = 3.XL Mid V6 Engine
EZH = 5.7L V8 HEMI MDS
VVT Engine
EXF = 3.0L V6 Turbo Diesel
Engine

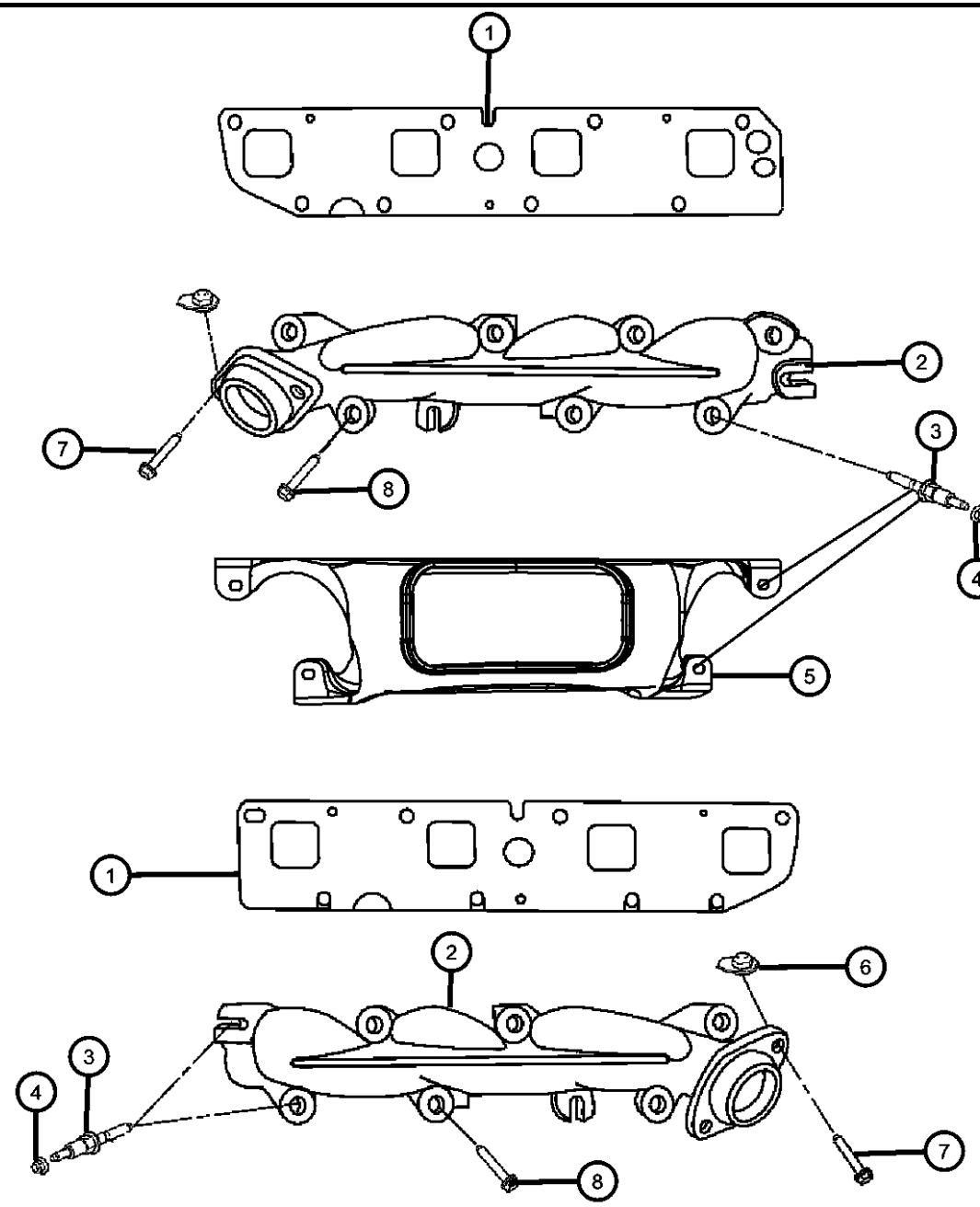
TRANSMISSION
DGQ = 5-Spd Automatic 545RFE
Transmission
DGJ = 5-Speed Auto W5A580
Transmission

AR = use ase required - = Non illustrated part

2011 WK

**Exhaust Manifolds And Heat Shields 5.7L [EZH]
Figure 009EZH-1005**

ITEM	PART NUMBER	QTY	LINE	SERIES	BODY	ENGINE	TRANS	TRIM	DESCRIPTION
1	53032965AF	1	J, T, U			EZH			GASKET, Exhaust Manifold Left
	53032966AF	1	J, T, U			EZH			Right
2	68045559AB	1	J, T, U			EZH			MANIFOLD, Exhaust Left
	68021512AD	1	J, T, U			EZH			Right
3	06509544AA	8	J, T			EZH			STUD, Double Ended, M8X1.25XM6X1.00X73.00, Exhaust Manifold To Cylinder Head, Mounting
4	06505316AA	7	J, T, U			EZH			NUT, Hex Flange Lock, M6X1.00 Heat Shield To Exhaust Manifold, Mounting
		1	J, T, U			EZH			Heat Shield And Engine Oil Indicator Tube To Exhaust Manifold, Mounting
5	53032968AD	2	J, T, U			EZH			SHIELD, Exhaust Manifold
6	06036684AA	4	J, T, U			EZH			NUT, U, .375-16, Exhaust Manifold To Front Exhaust Pipe, Mounting
7	06036734AA	4	J, T, U			EZ0			BOLT, Hex Flange Head, .375-16X2.50, Exhaust Manifold To Front Exhaust Pipe, Mounting
8	06507746AA	9	J, T, U			EZH			BOLT, Exhaust Manifold, M8x1.25x46.00, Exhaust Manifold To Cylinder Head, Mounting



GRAND CHEROKEE (WK)

SERIES LINE
H = HIGHLINE T = JEEP - 2WD
P = PREMIUM J = JEEP - 4WD
S = SPORT U = JEEP - 4WD (RHD)

BODY
74 = SPORT UTILITY 4-DR
TYPE #4

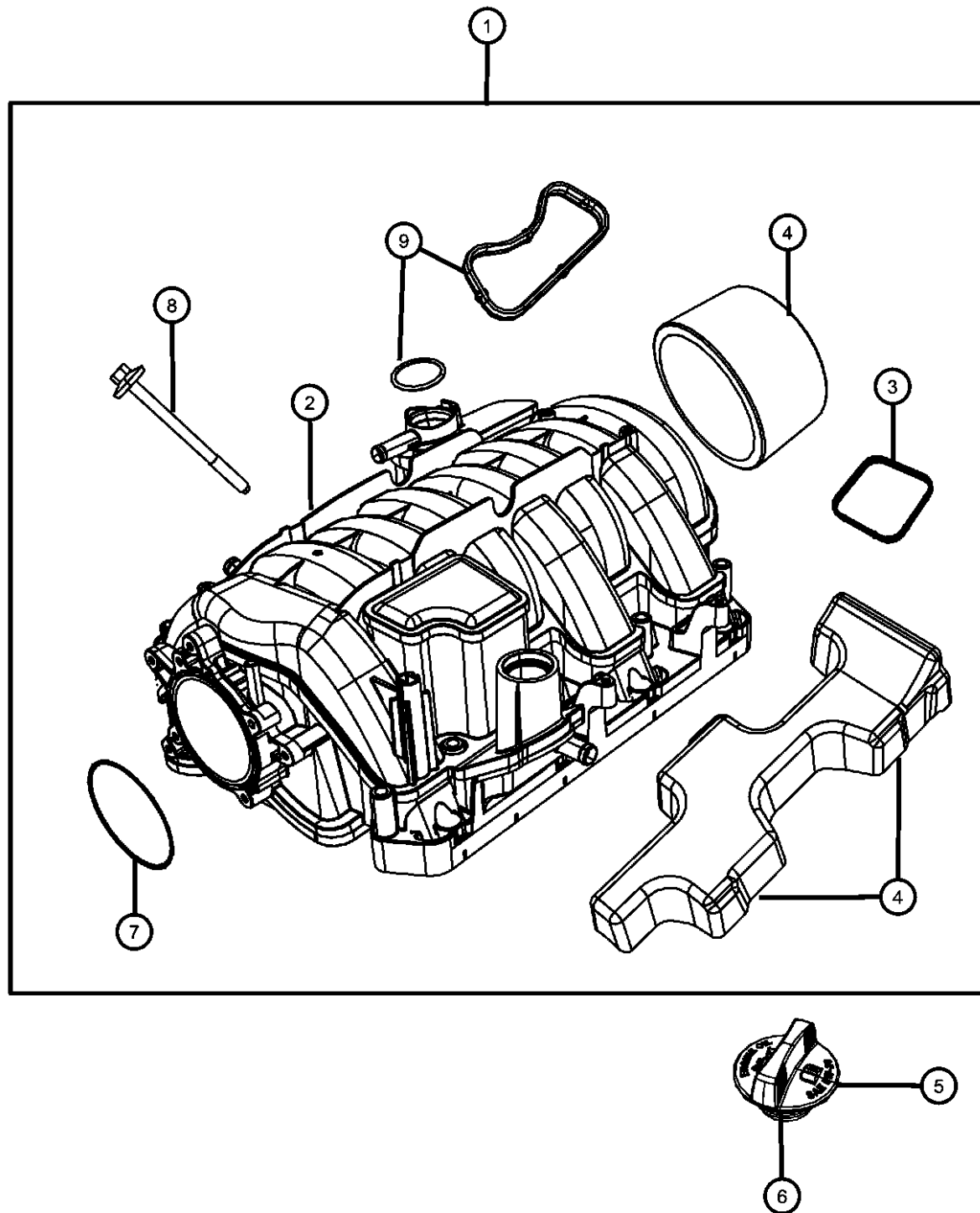
ENGINE
ERB = 3.XL Mid V6 Engine
EZH = 5.7L V8 HEMI MDS
VVT Engine
EXF = 3.0L V6 Turbo Diesel
Engine

TRANSMISSION
DGQ = 5-Spd Automatic 545RFE
Transmission
DGJ = 5-Speed Auto W5A580
Transmission

AR = use ase required - = Non illustrated part

2011 WK

Intake Manifold 5.7L [EZH]
Figure 009EZH-1025



ITEM	PART NUMBER	QTY	LINE	SERIES	BODY	ENGINE	TRANS	TRIM	DESCRIPTION
1	68048131AB	1	J, T, U			EZH			MANIFOLD KIT, Engine Intake
2		1							MANIFOLD, Engine Intake, Serviced In Intake Manifold Kit, (NOT SERVICED)
3	53022143AB	8	J, T, U			EZH			SEAL, Intake Manifold
4									PAD, Engine
	53013735AB	1	J, T, U			EZH			Rear Of Intake Manifold [Round]
	53013981AD	1	J, T, U			EZH			Engine Valley Cover
5	53013775AA	1	J, T, U			EZH			CAP, Oil Filler
6	68029299AA	1	J, T, U			EZH			O RING, Oil Filler Cap
7	53022320AB	1	J, T, U			EZH			SEAL, Throttle Body to Intake
8	06509246AA	10	J, T, U			EZH			BOLT AND CONED WASHER, Hex Head, M6X1.00X81.00, Intake Manifold To Cylinder Head, Mounting
9									SEAL, PCV
	53032448AC	1	J, T, U			EZH			Round O-Ring On PCV Valve
	53022142AB	2	J, T, U			EZH			Rectangle

GRAND CHEROKEE (WK)

SERIES LINE
H = HIGHLINE T = JEEP - 2WD
P = PREMIUM J = JEEP - 4WD
S = SPORT U = JEEP - 4WD (RHD)

BODY
74 = SPORT UTILITY 4-DR
TYPE #4

ENGINE
ERB = 3.XL Mid V6 Engine
EZH = 5.7L V8 HEMI MDS
VVT Engine
EXF = 3.0L V6 Turbo Diesel
Engine

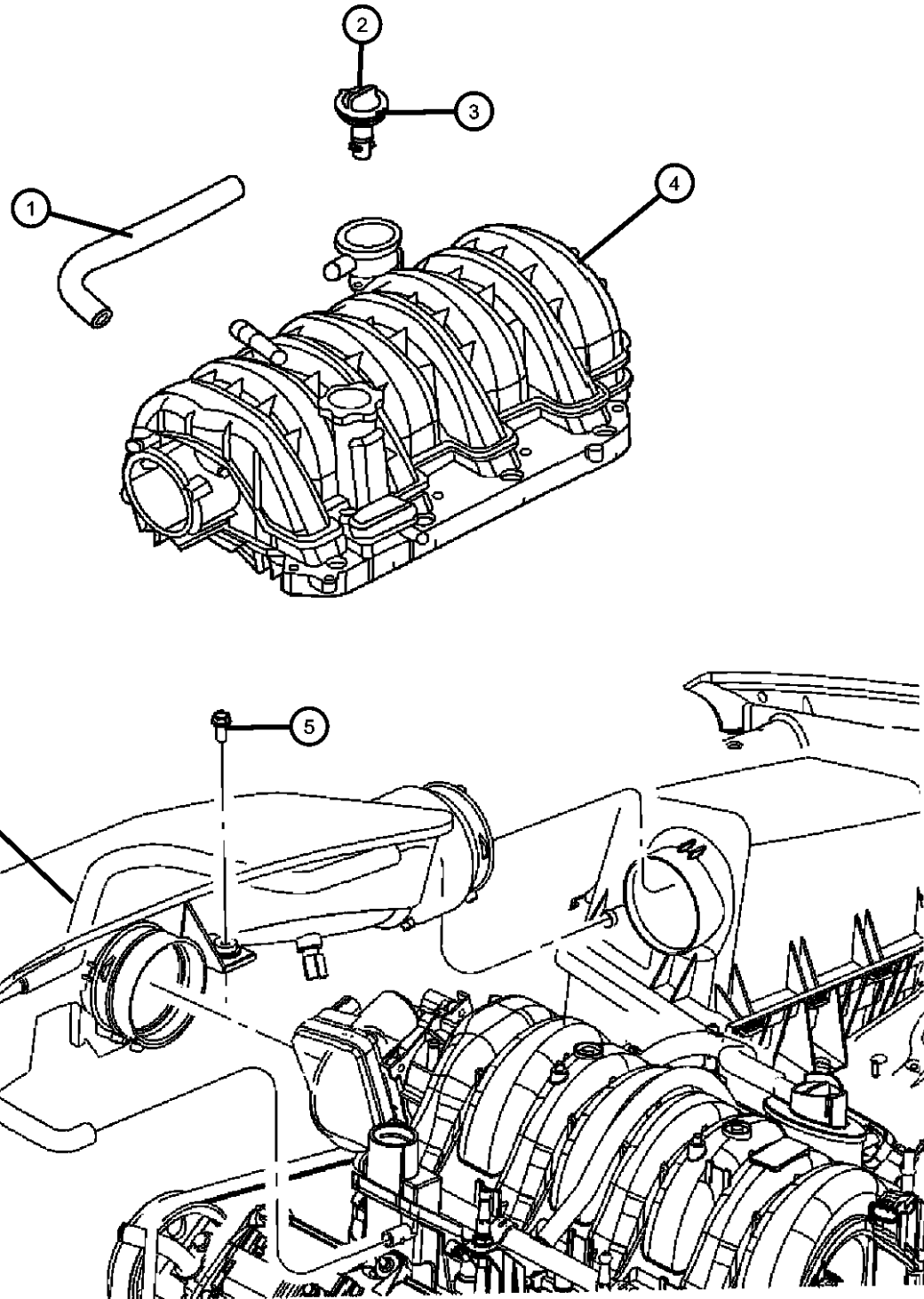
TRANSMISSION
DGQ = 5-Spd Automatic 545RFE
Transmission
DGJ = 5-Speed Auto W5A580
Transmission

AR = use ase required - = Non illustrated part

2011 WK

**Crankcase Ventilation 5.7L [EZH]
Figure 009EZH-1105**

ITEM	PART NUMBER	QTY	LINE	SERIES	BODY	ENGINE	TRANS	TRIM	DESCRIPTION
1	04591961AD	1	J, T, U			EZH			HOSE, PCV Valve To intake Manifold
2	53032940AB	1	J, T, U			EZH			VALVE, PCV
3									SEAL, PCV
	53022142AB	2	J, T, U			EZH			Rectangle
	53032448AC	1	J, T, U			EZH			Round O-Ring On PCV Valve
4		1							MANIFOLD, Engine Intake, Reference, (NOT SERVICED),
5	06105039AA	1	J, T, U			EZH			BOLT, Hex Flange Head, M6X1.00X30.00, Resonator To Bracket, Mounting
6	68023283AB	1	J, T, U			EZH			HOSE, Make Up Air



GRAND CHEROKEE (WK)

SERIES LINE
H = HIGHLINE T = JEEP - 2WD
P = PREMIUM J = JEEP - 4WD
S = SPORT U = JEEP - 4WD (RHD)

BODY
74 = SPORT UTILITY 4-DR
TYPE #4

ENGINE
ERB = 3.XL Mid V6 Engine
EZH = 5.7L V8 HEMI MDS
VVT Engine
EXF = 3.0L V6 Turbo Diesel
Engine

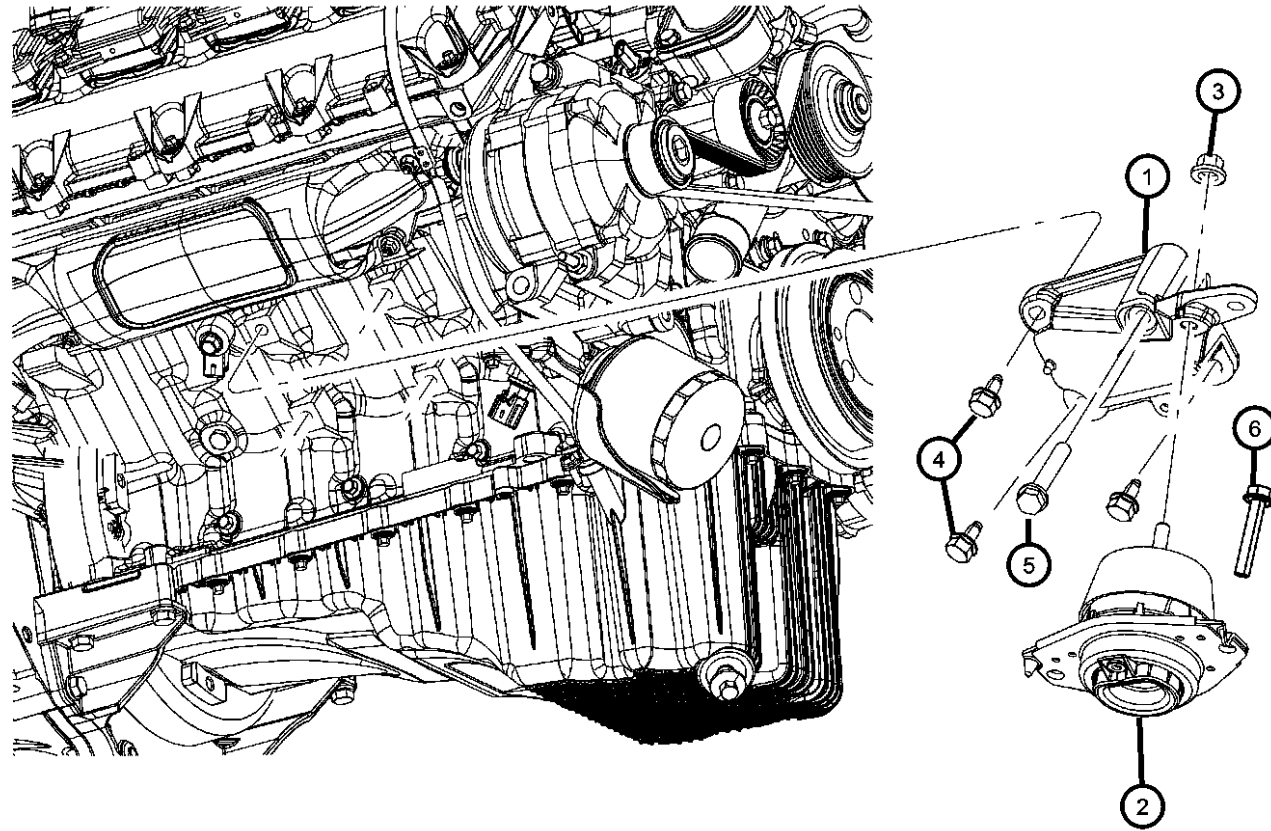
TRANSMISSION
DGQ = 5-Spd Automatic 545RFE
Transmission
DGJ = 5-Speed Auto W5A580
Transmission

AR = use ase required - = Non illustrated part

2011 WK

**Engine Mounting Right Side RWD/2WD 5.7L [EZH]
Figure 009EZH-1220**

ITEM	PART NUMBER	QTY	LINE	SERIES	BODY	ENGINE	TRANS	TRIM	DESCRIPTION
1	52124988AB	1	J, T, U			EZ0			BRACKET, Engine MountRight Side
2	52124675AE	1	J, T, U			EZ0			ISOLATOR, Engine MountRight Side
3	06502979	2	J, T, U						NUT AND WASHER, Hex, M10x1.5, Engine Mount To Engine Mount Bracket, Mounting
4	06102019	6	J, T, U			ER0, EZ0			BOLT AND WASHER, Hex Head, M10x1.50x45.00, Engine Mount Bracket To Cylinder Block, Mounting
5	06102122AA	2	J, T, U			ER0, EZ0			BOLT AND WASHER, Hex Head, M10X1.50X100, Engine Mount Bracket To Cylinder Block, Mounting
6	06504010	2	J, T, U						SCREW AND WASHER, Hex Head, M10x1.50x35, Engine Mount To Cradle, Mounting



GRAND CHEROKEE (WK)

SERIES LINE
H = HIGHLINE T = JEEP - 2WD
P = PREMIUM J = JEEP - 4WD
S = SPORT U = JEEP - 4WD (RHD)

BODY
74 = SPORT UTILITY 4-DR TYPE #4

ENGINE
ERB = 3.XL Mid V6 Engine
EZH = 5.7L V8 HEMI MDS VVT Engine
EXF = 3.0L V6 Turbo Diesel Engine

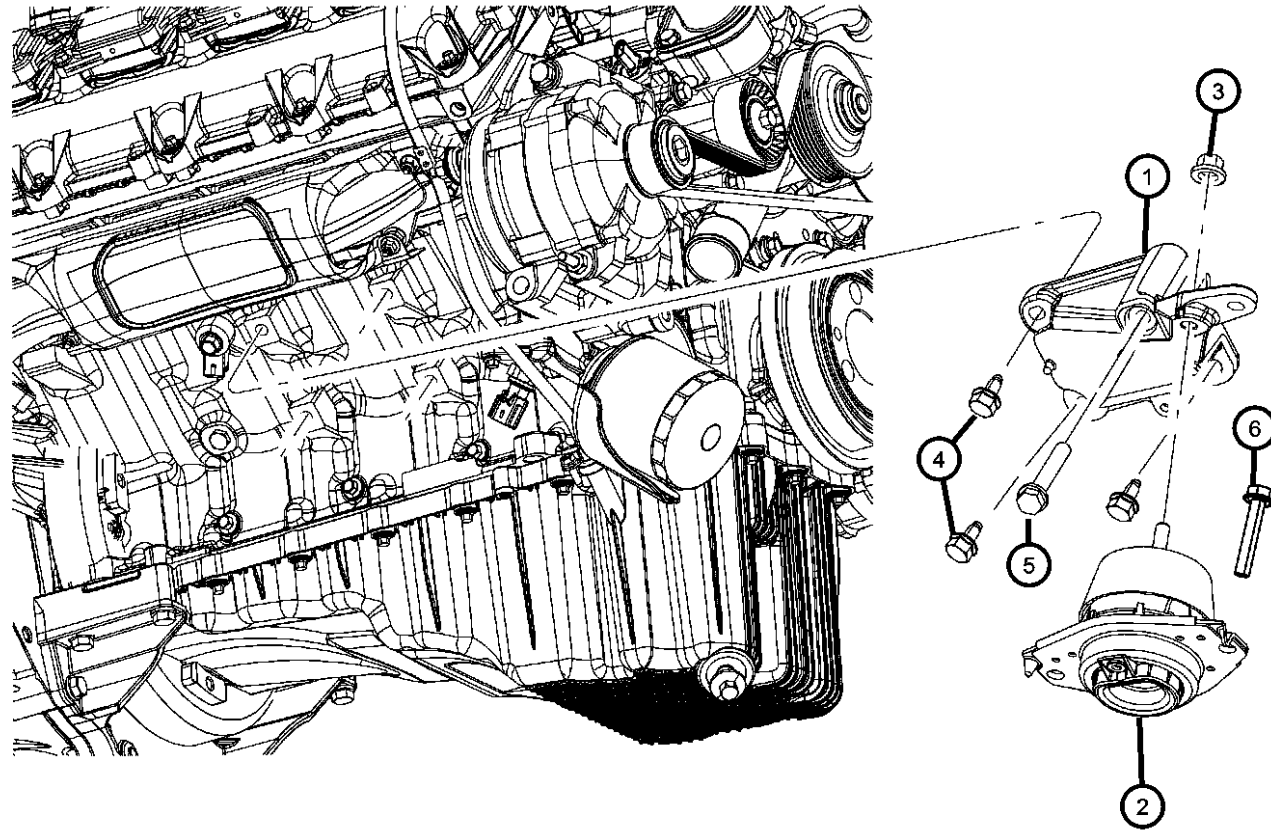
TRANSMISSION
DGQ = 5-Spd Automatic 545RFE Transmission
DGJ = 5-Speed Auto W5A580 Transmission

AR = use ase required - = Non illustrated part

2011 WK

**Engine Mounting Right Side 4WD 5.7L [EZH]
Figure 009EZH-1225**

ITEM	PART NUMBER	QTY	LINE	SERIES	BODY	ENGINE	TRANS	TRIM	DESCRIPTION
1	52124988AB	1	J, T, U			EZ0			BRACKET, Engine MountRight Side
2	52124675AE	1	J, T, U			EZ0			ISOLATOR, Engine MountRight Side
3	06502979	2	J, T, U						NUT AND WASHER, Hex, M10x1.5, Engine Mount To Engine Mount Bracket, Mounting
4	06102019	6	J, T, U			ER0, EZ0			BOLT AND WASHER, Hex Head, M10x1.50x45.00, Engine Mount Bracket To Cylinder Block, Mounting
5	06102122AA	2	J, T, U			ER0, EZ0			BOLT AND WASHER, Hex Head, M10X1.50X100, Engine Mount Bracket To Cylinder Block, Mounting
6	06504010	2	J, T, U						SCREW AND WASHER, Hex Head, M10x1.50x35, Engine Mount To Cradle, Mounting



GRAND CHEROKEE (WK)

SERIES LINE
H = HIGHLINE T = JEEP - 2WD
P = PREMIUM J = JEEP - 4WD
S = SPORT U = JEEP - 4WD (RHD)

BODY
74 = SPORT UTILITY 4-DR
TYPE #4

ENGINE
ERB = 3.XL Mid V6 Engine
EZH = 5.7L V8 HEMI MDS
VVT Engine
EXF = 3.0L V6 Turbo Diesel
Engine

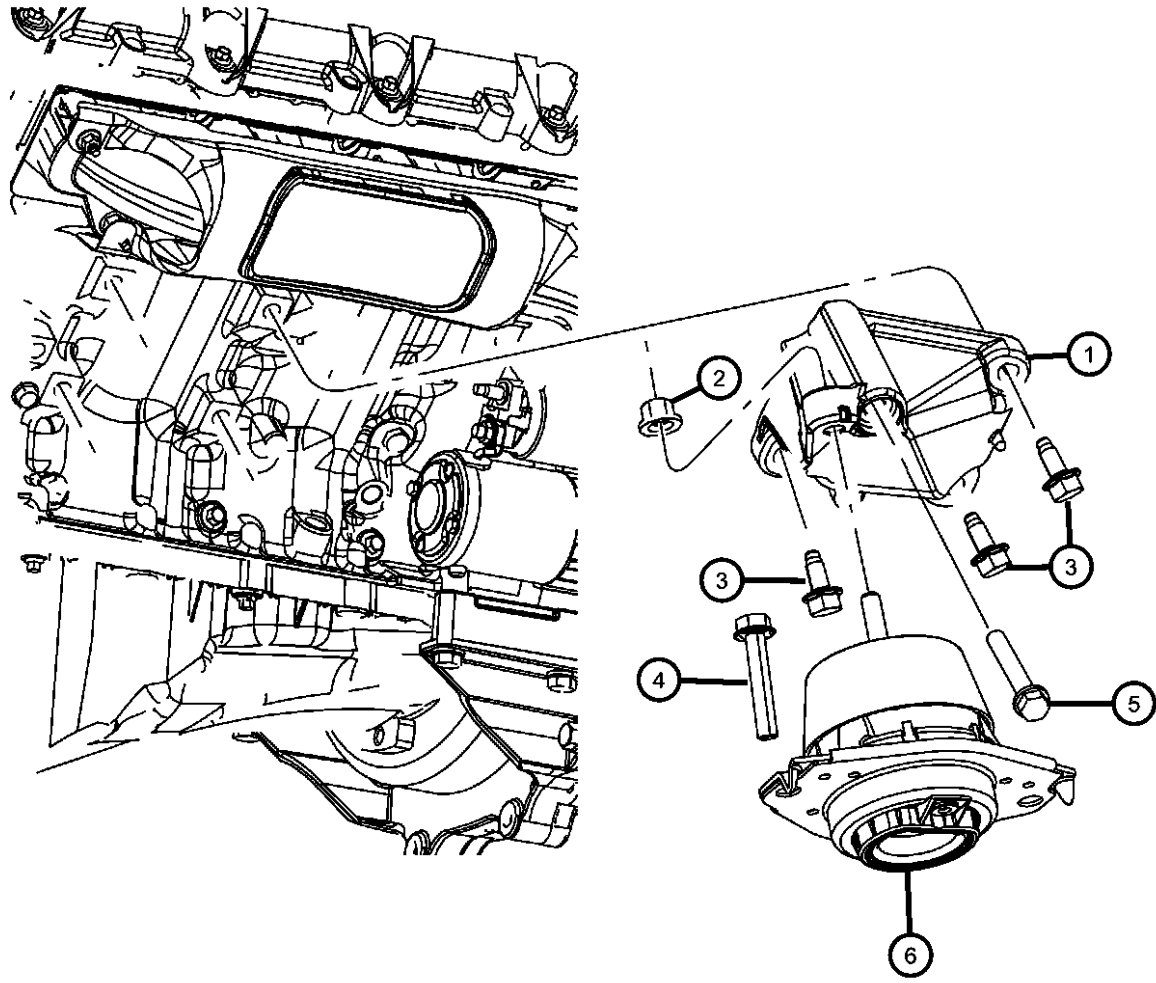
TRANSMISSION
DGQ = 5-Spd Automatic 545RFE
Transmission
DGJ = 5-Speed Auto W5A580
Transmission

AR = use ase required - = Non illustrated part

2011 WK

**Engine Mounting Left Side RWD/2WD 5.7L [EZH]
Figure 009EZH-1235**

ITEM	PART NUMBER	QTY	LINE	SERIES	BODY	ENGINE	TRANS	TRIM	DESCRIPTION
1	52124989AC	1	J, T, U			EZ0			BRACKET, Engine MountLeft Side
2	06502979	2	J, T, U						NUT AND WASHER, Hex, M10x1.5, Engine Mount To Engine Mount Bracket, Mounting
3	06102019	6	J, T, U			ER0, EZ0			BOLT AND WASHER, Hex Head, M10x1.50x45.00, Engine Mount Bracket To Cylinder Block, Mounting
4	06504010	2	J, T, U						SCREW AND WASHER, Hex Head, M10x1.50x35, Engine Mount To Cradle, Mounting
5	06102122AA	2	J, T, U			ER0, EZ0			BOLT AND WASHER, Hex Head, M10X1.50X100, Engine Mount Bracket To Cylinder Block, Mounting
6	52124675AE	1	J, T, U			EZ0			ISOLATOR, Engine MountLeft Side



GRAND CHEROKEE (WK)

SERIES LINE
H = HIGHLINE T = JEEP - 2WD
P = PREMIUM J = JEEP - 4WD
S = SPORT U = JEEP - 4WD (RHD)

BODY
74 = SPORT UTILITY 4-DR
TYPE #4

ENGINE
ERB = 3.XL Mid V6 Engine
EZH = 5.7L V8 HEMI MDS
VVT Engine
EXF = 3.0L V6 Turbo Diesel
Engine

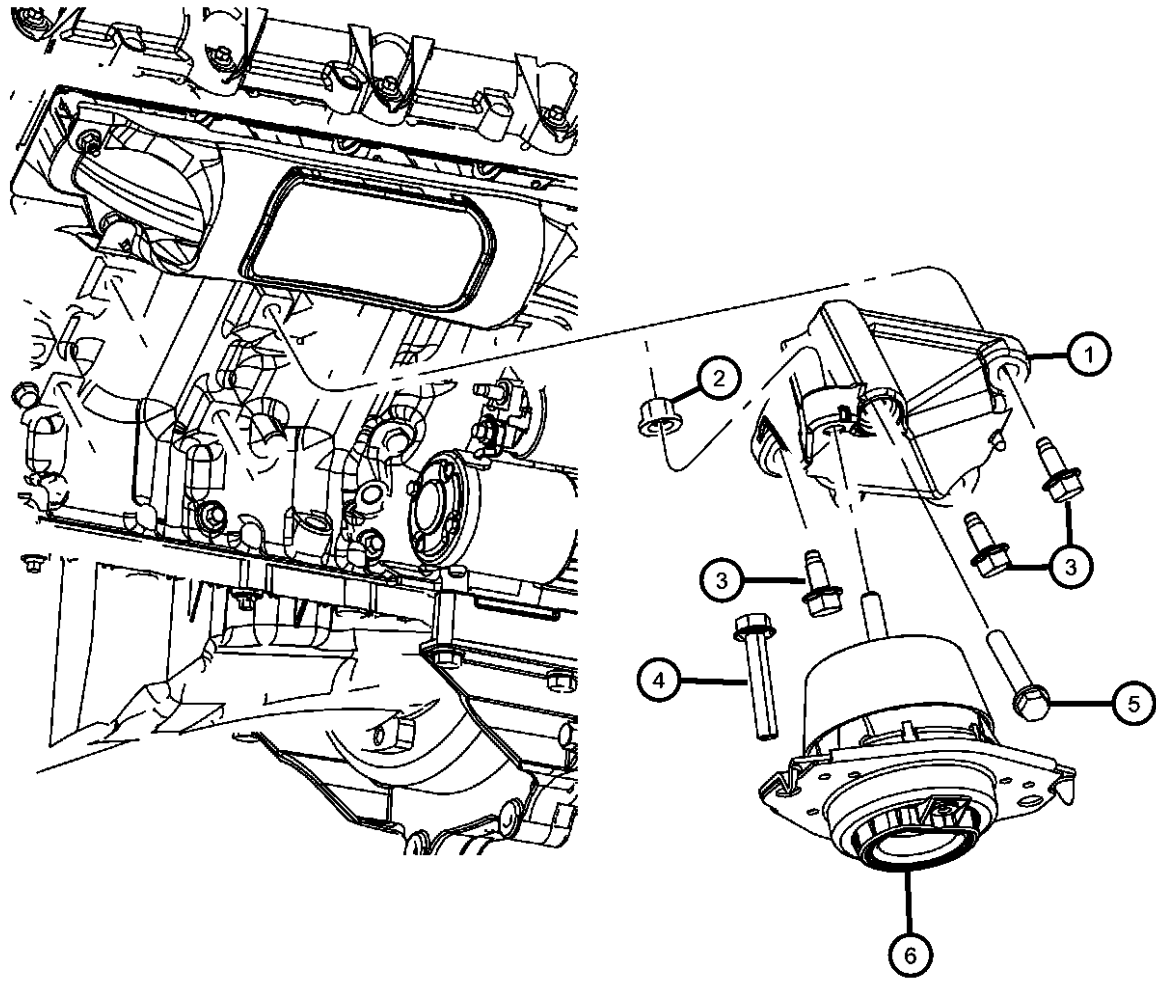
TRANSMISSION
DGQ = 5-Spd Automatic 545RFE
Transmission
DGJ = 5-Speed Auto W5A580
Transmission

AR = use ase required - = Non illustrated part

2011 WK

**Engine Mounting Left Side 4WD 5.7L [EZH]
Figure 009EZH-1240**

ITEM	PART NUMBER	QTY	LINE	SERIES	BODY	ENGINE	TRANS	TRIM	DESCRIPTION
1	52124989AC	1	J, T, U			EZ0			BRACKET, Engine MountLeft Side
2	06502979	2	J, T, U						NUT AND WASHER, Hex, M10x1.5, Engine Mount To Engine Mount Bracket, Mounting
3	06102019	6	J, T, U			ER0, EZ0			BOLT AND WASHER, Hex Head, M10x1.50x45.00, Engine Mount Bracket To Cylinder Block, Mounting
4	06504010	2	J, T, U						SCREW AND WASHER, Hex Head, M10x1.50x35, Engine Mount To Cradle, Mounting
5	06102122AA	2	J, T, U			ER0, EZ0			BOLT AND WASHER, Hex Head, M10X1.50X100, Engine Mount Bracket To Cylinder Block, Mounting
6	52124675AE	1	J, T, U			EZ0			ISOLATOR, Engine MountLeft Side



GRAND CHEROKEE (WK)

SERIES LINE
H = HIGHLINE T = JEEP - 2WD
P = PREMIUM J = JEEP - 4WD
S = SPORT U = JEEP - 4WD (RHD)

BODY
74 = SPORT UTILITY 4-DR
TYPE #4

ENGINE
ERB = 3.XL Mid V6 Engine
EZH = 5.7L V8 HEMI MDS
VVT Engine
EXF = 3.0L V6 Turbo Diesel
Engine

TRANSMISSION
DGQ = 5-Spd Automatic 545RFE
Transmission
DGJ = 5-Speed Auto W5A580
Transmission

AR = use ase required - = Non illustrated part

2011 WK

Group - 10

Restraints

Group - 10 Restraints

Illustration Title

Group-Fig. No.

Air Bags

Air Bag Modules, Impact Sensors and Clock SpringFig. 10 - 205

Air Bags FrontFig. 10 - 210

Air Bags SideFig. 10 - 215

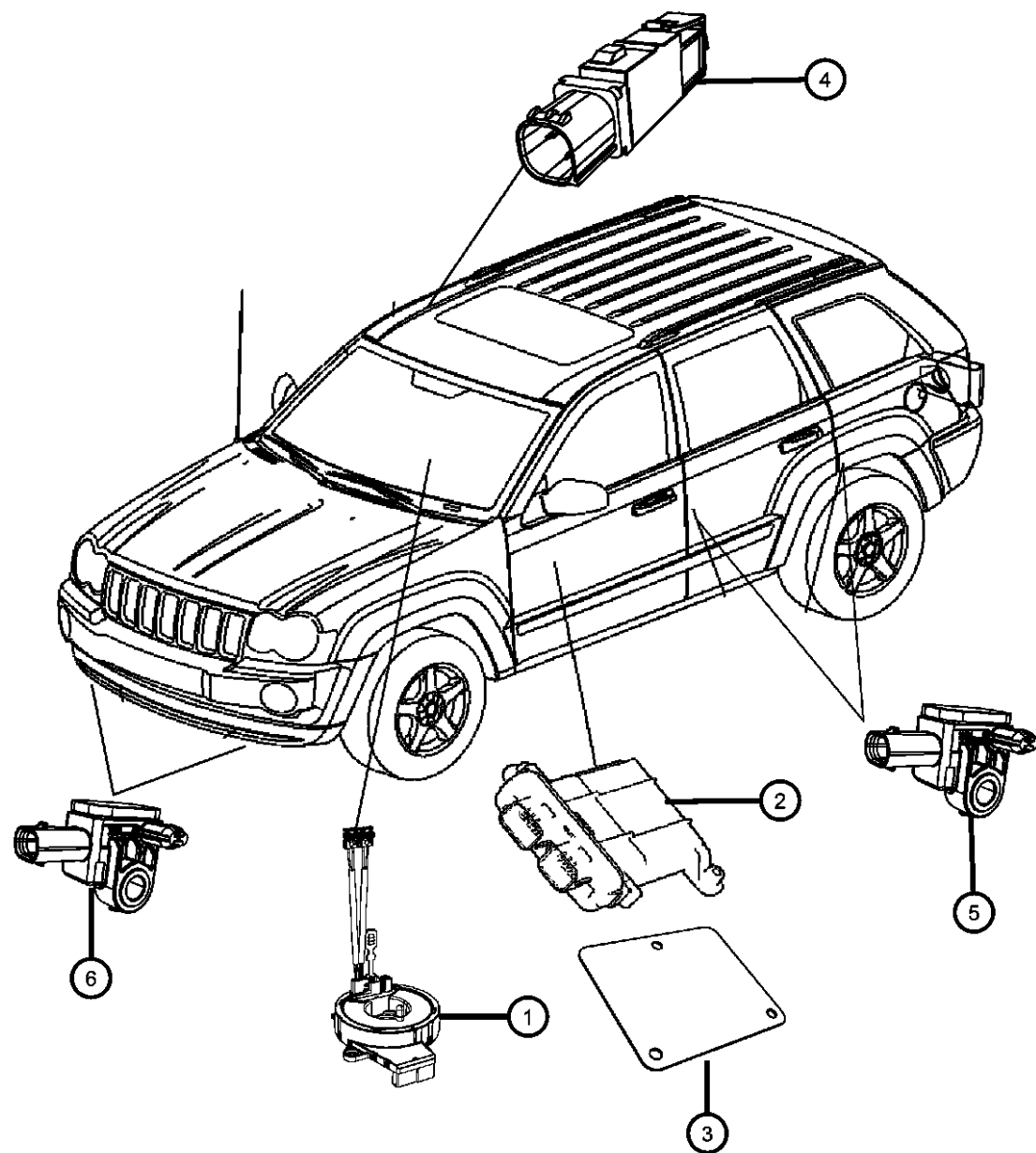
Seat Belts

Seat Belts First RowFig. 10 - 305

Seat Belts Second RowFig. 10 - 310

<p>010-200 Air Bags</p>	<p>010-300 Seat Belts</p>		
------------------------------------	--------------------------------------	--	--

Air Bag Modules, Impact Sensors and Clock Spring
Figure 10-205



ITEM	PART NUMBER	QTY	LINE	SERIES	BODY	ENGINE	TRANS	TRIM	DESCRIPTION
1									MODULE, Steering Column
	1HE80DX9AB	1	J, T, U		74				[X9], [NHS], [SUB]
		1	J, T, U		74				[XL], [NHS], [SUB]
		1	J, T, U		74				[XT], [NHS], [SUB]
	1HE80HL9AB	1	J, T, U		74				[L9], [NHS], [SUB]
	1HE78XTWAD	1	J, T, U		74				[D3], [SUD]
	1HE79DX9AB	1	J, T, U		74				[XT], [SUD]
	1HE79HL9AB	1	J, T, U		74				[L9], [SUB]
	1HE79DX9AC	1	J, T, U		74				[X9], [SUB]
	1HE78DX9AD	1	J, T, U		74				[X9], [SUD]
		1	J, T, U		74				[XL], [SUD]
		1	J, T, U		74				[XL], [SUB]
		1	J, T, U		74				[XT], [SUB]
2									MODULE, Occupant Restraint
	68025632AI	1	J, T, U		74				[CGY]
	68025654AH	1	J, T, U		74				
3	56054210AA	1	J, T, U		74				BRACKET, Occupant Restraint Module
4									SENSOR, Seat Position
	56054036AA	1	J, T		74				
	05084008AA	1	J, T, U		74				[X8Z]
5									SENSOR, Acceleration
	56054085AA	2	J, T, U		74				Second row
		2	J, T, U		74				First row
6	56054212AA	2	J, T, U		74				SENSOR, AccelerationFront

GRAND CHEROKEE (WK)

SERIES LINE
H = HIGHLINE T = JEEP - 2WD
P = PREMIUM J = JEEP - 4WD
S = SPORT U = JEEP - 4WD (RHD)

BODY
74 = SPORT UTILITY 4-DR
TYPE #4

ENGINE
ERB = 3.0L Mid V6 Engine
EZH = 5.7L V8 HEMI MDS
VVT Engine
EXF = 3.0L V6 Turbo Diesel
Engine

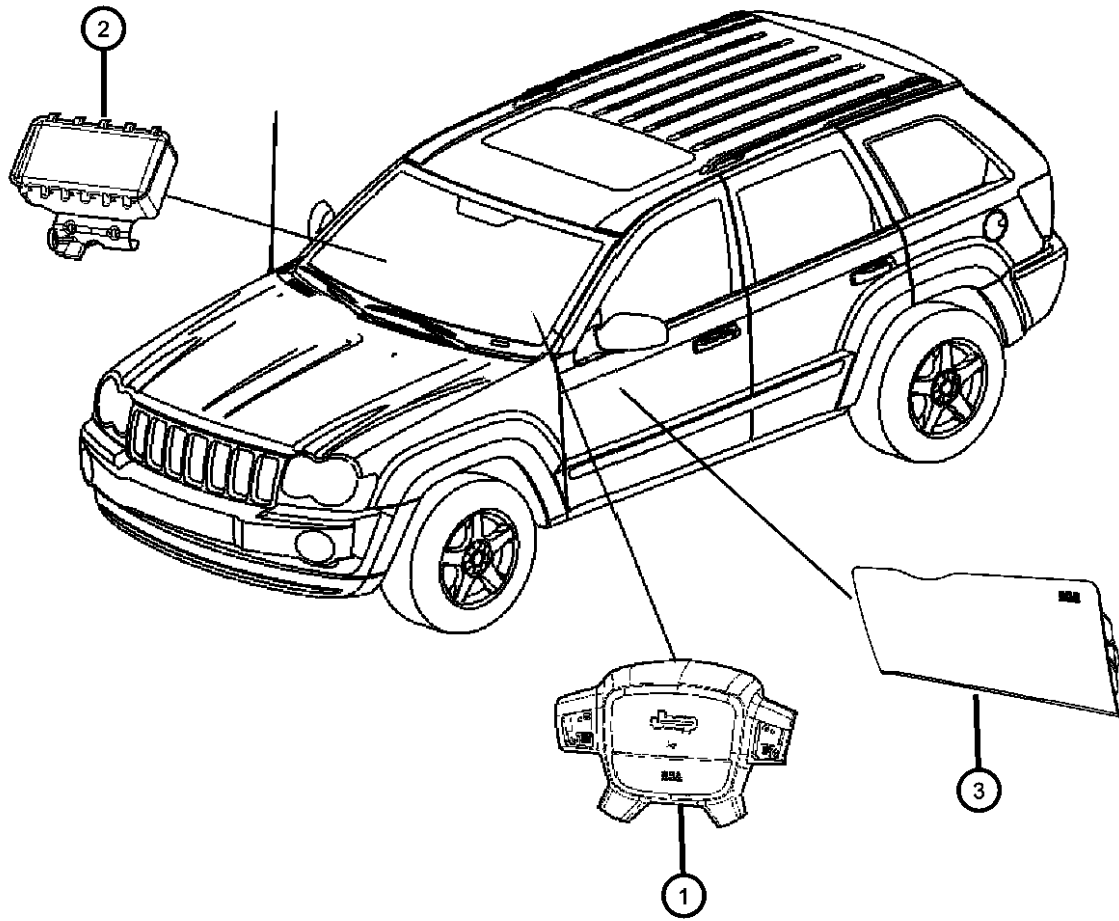
TRANSMISSION
DGQ = 5-Spd Automatic 545RFE
Transmission
DGJ = 5-Speed Auto W5A580
Transmission

AR = use ase required - = Non illustrated part

2011 WK

**Air Bags Front
Figure 10-210**

ITEM	PART NUMBER	QTY	LINE	SERIES	BODY	ENGINE	TRANS	TRIM	DESCRIPTION
1									AIR BAG, Driver
	1GS311D3AE	1	J, T, U		74				[D3]
	1GS311L9AE	1	J, T, U		74				[L9]
	1GS311XLAE	1	J, T, U		74				[X9]
		1	J, T, U		74				[XL]
		1	J, T, U		74				[XT]
2	05108093AF	1	J, T, U		74				AIR BAG, Passenger
3									KNEEBLOCKER, Driver, Inflatable
	1NU89HL1AC	1	J, T		74				[L9]
		1	J, T		74				[XL]
	1NU88BD3AC	1	U		74				[D3]
	1NU88DX9AC	1	U		74				[X9]
		1	U		74				[XT]
	1NU88HL1AC	1	U		74				[L9]
		1	U		74				[XL]
	1NU89BD3AC	1	J, T		74				[D3]
	1NU89DX9AC	1	J, T		74				[X9]
		1	J, T		74				[XT]
-4									AIR BAG, Seat
	05108023AB	1	J, T, U		74				Left
	05108022AA	1	J, T, U		74				Right



GRAND CHEROKEE (WK)

SERIES LINE
H = HIGHLINE T = JEEP - 2WD
P = PREMIUM J = JEEP - 4WD
S = SPORT U = JEEP - 4WD (RHD)

BODY
74 = SPORT UTILITY 4-DR
TYPE #4

ENGINE
ERB = 3.0L Mid V6 Engine
EZH = 5.7L V8 HEMI MDS
VVT Engine
EXF = 3.0L V6 Turbo Diesel
Engine

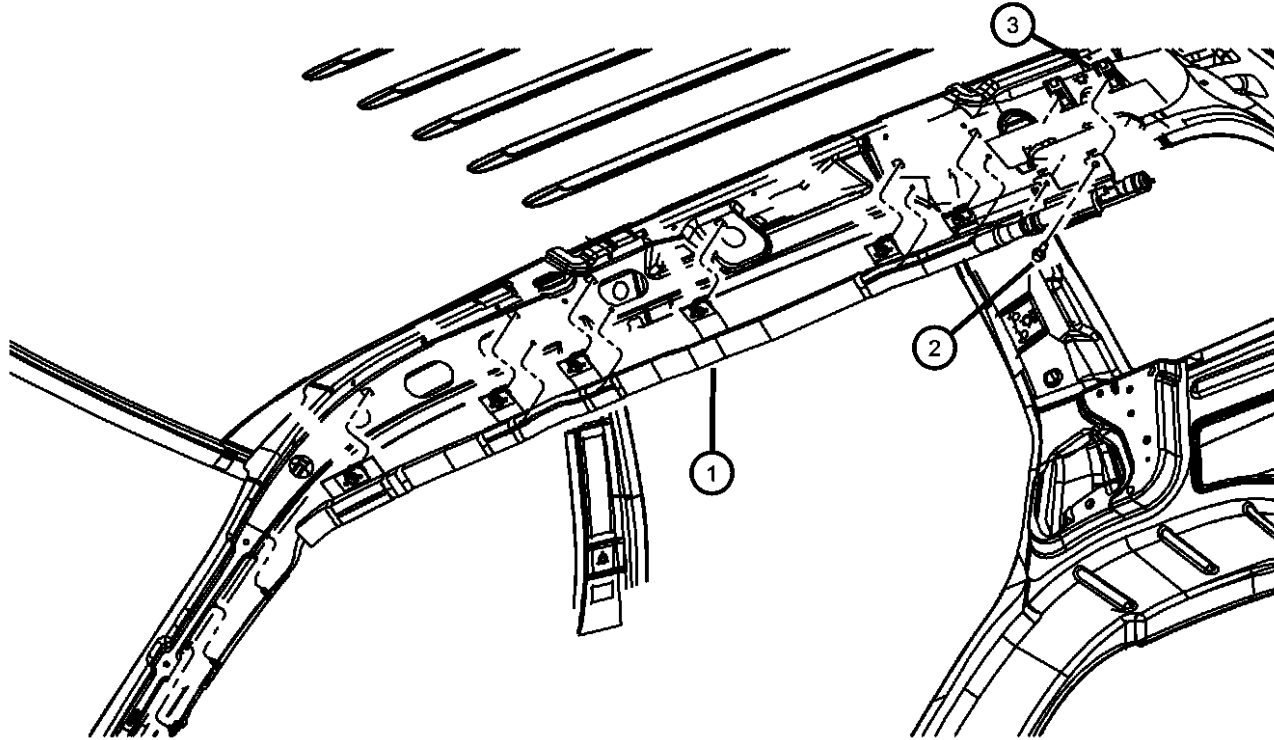
TRANSMISSION
DGQ = 5-Spd Automatic 545RFE
Transmission
DGJ = 5-Speed Auto W5A580
Transmission

AR = use ase required - = Non illustrated part

2011 WK

**Air Bags Side
Figure 10-215**

ITEM	PART NUMBER	QTY	LINE	SERIES	BODY	ENGINE	TRANS	TRIM	DESCRIPTION
1	05108021AB	1	J, T, U		74				AIR BAG, Side Curtain Left
	05108020AB	1	J, T, U		74				Right
2	06104366AA	2	J, T, U		74				SCREW AND WASHER, Hex Head, M6x1x20 Side Air Bag Module to Roof, Mounting
		2	J, T, U		74				Side Air Bag Module to Body, Mounting
3		2							U-NUT, M6 x 1.00, M6x1.00, (NOT SERVICED),



GRAND CHEROKEE (WK)

SERIES LINE
H = HIGHLINE T = JEEP - 2WD
P = PREMIUM J = JEEP - 4WD
S = SPORT U = JEEP - 4WD (RHD)

BODY
74 = SPORT UTILITY 4-DR
TYPE #4

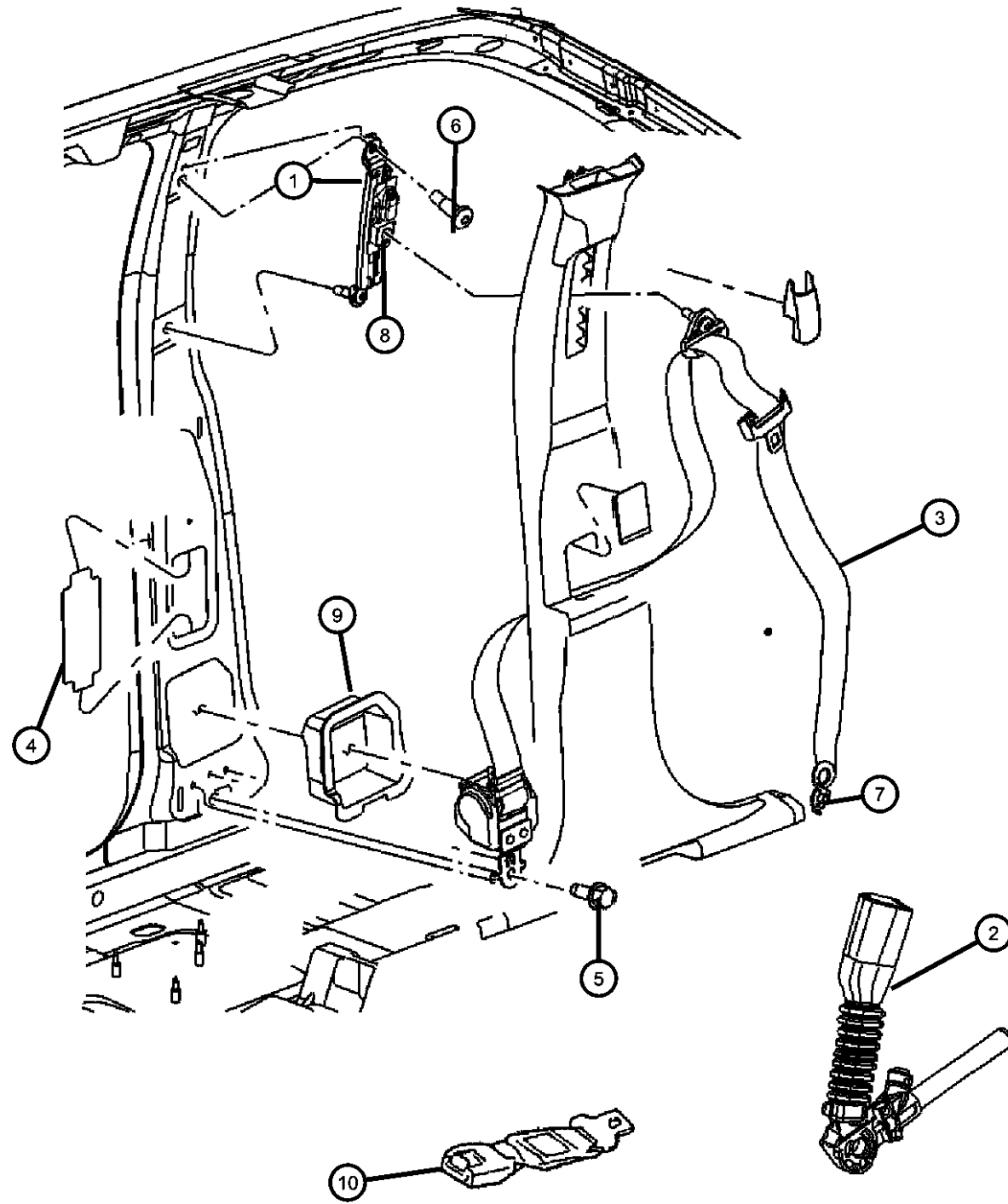
ENGINE
ERB = 3.0L Mid V6 Engine
EZH = 5.7L V8 HEMI MDS
VVT Engine
EXF = 3.0L V6 Turbo Diesel
Engine

TRANSMISSION
DGQ = 5-Spd Automatic 545RFE
Transmission
DGJ = 5-Speed Auto W5A580
Transmission

AR = use ase required - = Non illustrated part

2011 WK

Seat Belts First Row
Figure 10-305



ITEM	PART NUMBER	QTY	LINE	SERIES	BODY	ENGINE	TRANS	TRIM	DESCRIPTION
1	04610241AA	2	J, T, U		74				ADJUSTER, Seat Belt Turning Loop
2									SEAT BELT, Front Inner
	1GQ921K2AA	2	J, T, U		74				[XL]
	1GQ92BD3AA	2	J, T, U		74				[D3]
	1GQ92DX9AA	2	J, T, U		74				[X9]
	1GQ92HL1AA	2	J, T, U		74				[L9]
	1GQ92JTLAA	2	J, T, U		74				[XT]
3									SEAT BELT, Front Outer
	1GE04DX9AA	1	J, T		74				[XT], Right
	1GE051L1AA	1	J, T		74				[L9], Left
	1GE05BD3AA	1	J, T		74				[D3], Left
	1GE051K2AA	1	J, T		74				[XL], Left
	1GE05DX9AA	1	J, T		74				[X9], Left
		1	J, T		74				[XT], Left
	1GE041K2AA	1	J, T		74				[XL], Right
	1GE041L1AA	1	J, T		74				[L9], Right
	1GE04BD3AA	1	J, T		74				[D3], Right
		1	J, T		74				[X9], Right
4	55117158AA	1	J, T, U		74				SHIELD, Seat Belt RetractorRight
5	06105124AA	2	J, T, U		74				SCREW, Pan Head, .437-20X35.00, Retractor to B-Pillar, Mounting
6	06105124AA	2	J, T, U		74				SCREW, Pan Head, .437-20X35.00, Adjuster to B-Pillar Upper, Mounting
7	06036740AA	1	J, T, U		74				BOLT, Hex Head, Seat Belt Anchor to Front Seat, Mounting
8	06509460AA	2	J, T, U		74				NUT, Hex, D-Ring to Adjuster Height Assembly, Mounting
9	55117159AA	1	J, T, U		74				SHIELD, Seat Belt RetractorLeft
10	05135197AA	1	J, T		74				EXTENDER, Seat Belt

GRAND CHEROKEE (WK)

SERIES LINE
 H = HIGHLINE T = JEEP - 2WD
 P = PREMIUM J = JEEP - 4WD
 S = SPORT U = JEEP - 4WD (RHD)

BODY
 74 = SPORT UTILITY 4-DR TYPE #4

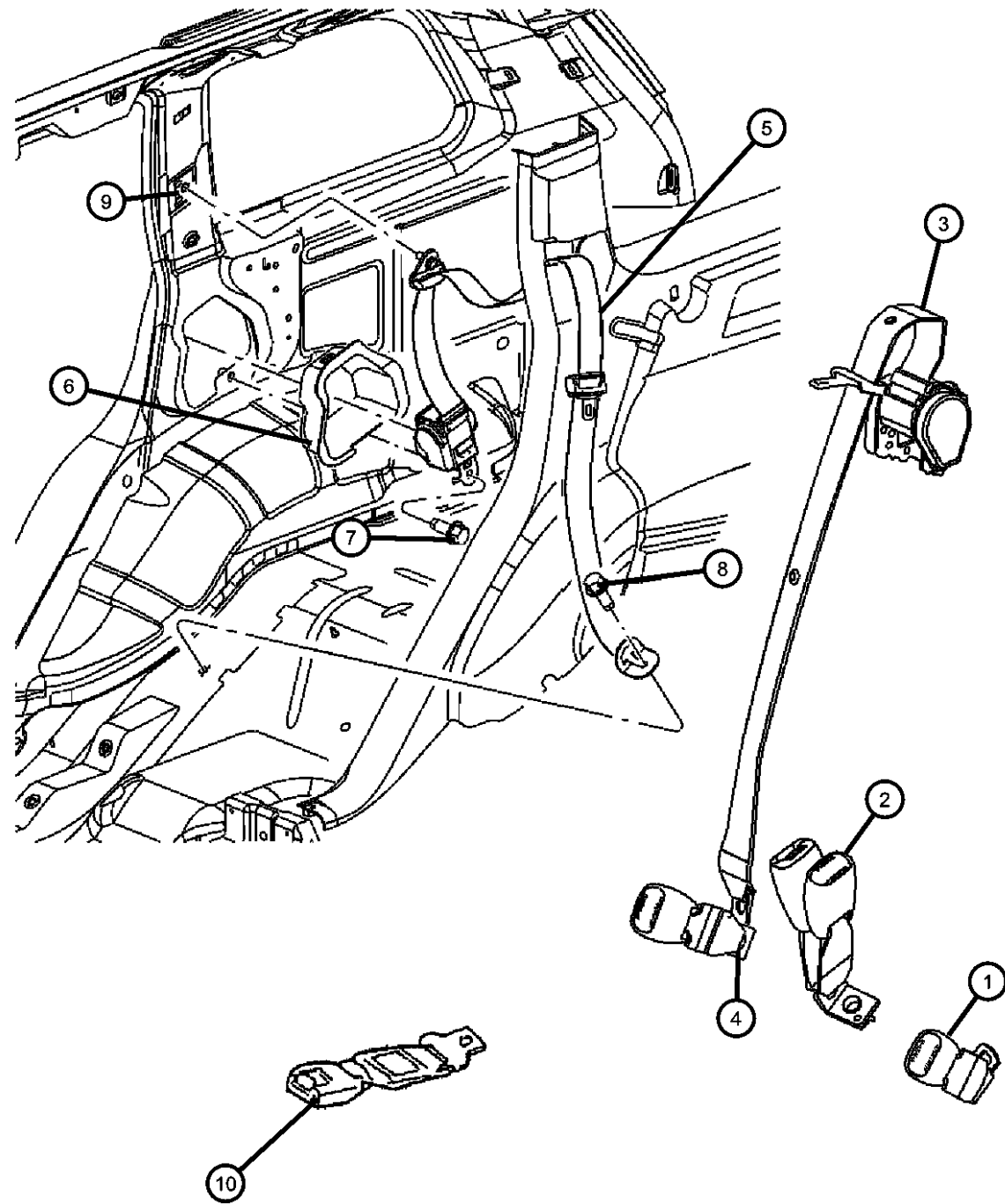
ENGINE
 ERB = 3.0L V6 Engine
 EZH = 5.7L V8 HEMI MDS VVT Engine
 EXF = 3.0L V6 Turbo Diesel Engine

TRANSMISSION
 DGQ = 5-Speed Automatic 545RFE Transmission
 DGJ = 5-Speed Auto W5A580 Transmission

AR = use ase required - = Non illustrated part

2011 WK

Seat Belts Second Row
Figure 10-310



ITEM	PART NUMBER	QTY	LINE	SERIES	BODY	ENGINE	TRANS	TRIM	DESCRIPTION
1	1LW83HL1AC	2	J, T		74				SEAT BELT, Rear Inner [XL]
		2	J, T, U		74				[L9]
	1LW83BD3AC	2	J, T, U		74				[D3]
	1LW83DX9AC	2	J, T, U		74				[X9]
		2	J, T, U		74				[XT]
		2	U		74				[XL]
2	1MC71BD3AB	1	J, T, U		74				SEAT BELT, Two Buckles [D3]
	1MC71DX9AB	1	J, T, U		74				[X9]
		1	J, T, U		74				[XT]
	1MC711L1AB	1	U		74				[L9], [JT2]
		1	U		74				[XL], [JT2]
		1	J, T		74				[XL], [JT2]
	1MC71HL1AB	1	J, T, U		74				[L9]
		1	J, T, U		74				[XL]
		1	J, T		74				[L9], [JT2]
3	1GE151K2AA	1	J, T		74				SEAT BELT, RR CNTR SHOULDER [L9]
	1GQ91BD3AB	1	J, T, U		74				[D3], Export
	1GQ91DX9AB	1	J, T, U		74				[X9], Export
		1	J, T, U		74				[XT], Export
	1GE15DX9AA	1	J, T		74				[X9]
		1	J, T		74				[XL]
	1GE15BD3AA	1	J, T		74				[D3]
	1GE15DX9AB	1	J, T		74				[XT]
	1GQ91HL1AB	1	J, T, U		74				[L9], Export
		1	J, T, U		74				[XL], Export
4	06105124AA	2	J, T, U		74				SCREW, Pan Head, .437-20X35.00, Buckle Assembly to Second Row Seat, Mounting
5	1GE12HL1AA	1	J, T, U		74				SEAT BELT, Rear Outer [XL], Right
	1GE13BD3AA	1	J, T, U		74				[D3], Left
	1GE13HL1AA	1	J, T, U		74				[L9], Left

GRAND CHEROKEE (WK)

SERIES LINE
H = HIGHLINE T = JEEP - 2WD
P = PREMIUM J = JEEP - 4WD
S = SPORT U = JEEP - 4WD (RHD)

BODY
74 = SPORT UTILITY 4-DR
TYPE #4

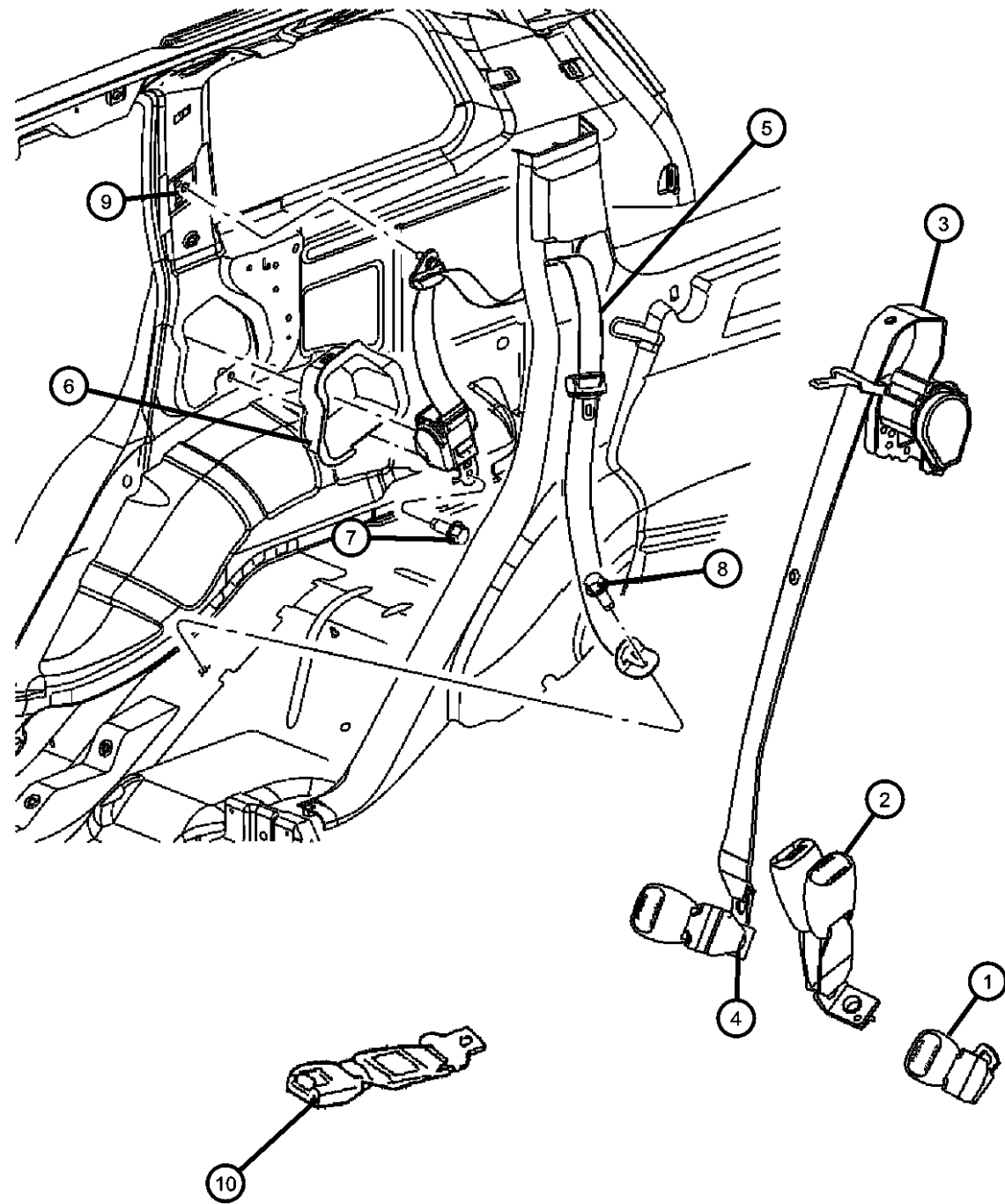
ENGINE
ERB = 3.0L V6 Engine
EZH = 5.7L V8 HEMI MDS
VVT Engine
EXF = 3.0L V6 Turbo Diesel
Engine

TRANSMISSION
DGQ = 5-Spd Automatic 545RFE
Transmission
DGJ = 5-Speed Auto W5A580
Transmission

AR = use ase required - = Non illustrated part

2011 WK

Seat Belts Second Row
Figure 10-310



ITEM	PART NUMBER	QTY	LINE	SERIES	BODY	ENGINE	TRANS	TRIM	DESCRIPTION
		1	J, T, U		74				[XL], Left
	1GE12BD3AA	1	J, T, U		74				[D3], Right
	1GE12DX9AA	1	J, T, U		74				[X9], Right
		1	J, T, U		74				[XT], Right
		1	J, T, U		74				[L9], Right
	1GE13DX9AA	1	J, T, U		74				[X9], Left
		1	J, T, U		74				[XT], Left
6									SHIELD, Seat Belt Retractor
	68081132AA	1	J, T, U		74				Right
	68081133AA	1	J, T, U		74				Left
7	06105124AA	2	J, T, U		74				SCREW, Pan Head, .437-20X35.00, Retractor to C-Pillar, Mounting
8									SCREW AND WASHER, Hex Head, M12X1.75X43.00
	06508760AA	1	U		74				Second Row Retractor to Floor, Mounting
		1	J, T		74				Second Row Retractor to Floor, Mounting
9	06509460AA	2	J, T, U		74				NUT, Hex, D-Ring to Adjuster Height Assembly, Mounting
10	05083695AA	1	J, T		74				EXTENDER, Seat Belt

GRAND CHEROKEE (WK)

SERIES LINE
H = HIGHLINE T = JEEP - 2WD
P = PREMIUM J = JEEP - 4WD
S = SPORT U = JEEP - 4WD (RHD)

BODY
74 = SPORT UTILITY 4-DR TYPE #4

ENGINE
ERB = 3.0L Mid V6 Engine
EZH = 5.7L V8 HEMI MDS VVT Engine
EXF = 3.0L V6 Turbo Diesel Engine

TRANSMISSION
DGQ = 5-Spd Automatic 545RFE Transmission
DGJ = 5-Speed Auto W5A580 Transmission

AR = use ase required - = Non illustrated part

2011 WK

Group - 11

Exhaust

Group - 11 Exhaust

Illustration Title

Group-Fig. No.

Exhaust System

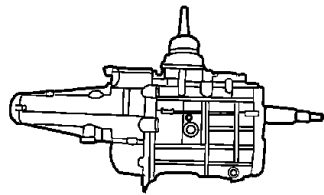
Exhaust System 3.6L [ERB]..... Fig. 11 - 105

Exhaust System 5.7L [EZH]..... Fig. 11 - 110

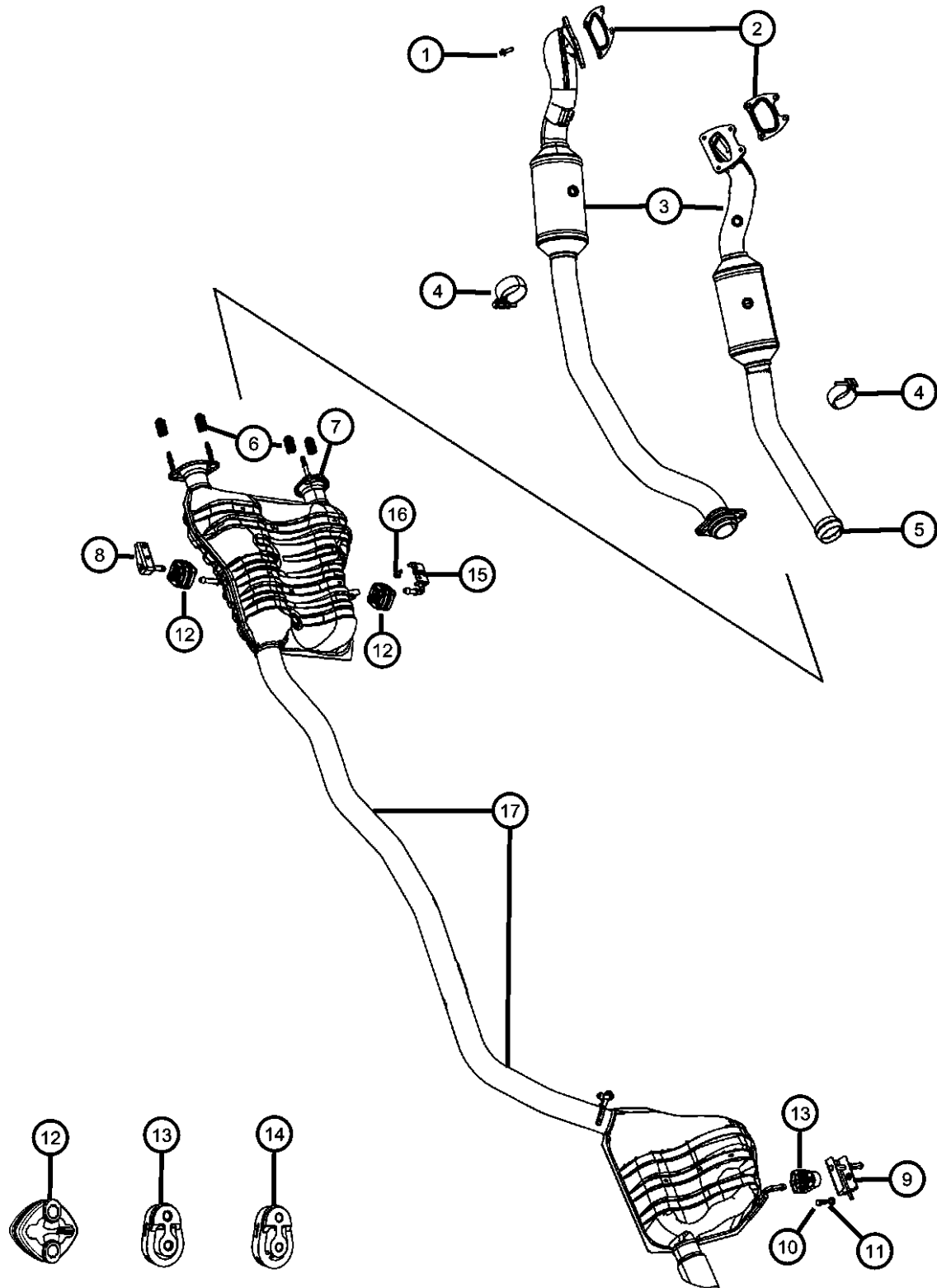
Exhaust System Heat Shields..... Fig. 11 - 150

011-100

Exhaust System



Exhaust System 3.6L [ERB]
Figure 11-105



ITEM	PART NUMBER	QTY	LINE	SERIES	BODY	ENGINE	TRANS	TRIM	DESCRIPTION
1	06509967AA	8	J, T, U		74	ERB			SCREW, Hex Flange Head, M8x1.25x28.00, Front Exhaust Pipe To Cylinder Head, Mounting
2	05184214AE	2	J, T, U		74	ER0			GASKET, Exhaust Manifold
3	68036556AE	1	J, T, U		74	ERB			PIPE AND CONVERTER, Exhaust, Left Side
	68037894AE	1	J, T		74	ER0			Right Side
	68056620AD	1	U		74	ER0			Right Side
4	68077936AA	1	J, T		74	ER0			CLAMP, Exhaust
		1	J, T, U		74	ER0			
		1	U		74	ER0			
5	68056529AA	1	J, T, U		74	ER0			SEAL RING, Exhaust
		1	J, T, U		74	ER0			[NEC]
6	68057855AA	2	J, T, U		74	ER0			NUT, Spring
		2	J, T, U		74	ER0			[NEC]
7	68072213AB	1	J, T, U		74	ER0			PIPE, Exhaust Extension
		1	J, T, U		74	ER0			Between Converter Pipe And Muffler, Right Side
					74	ER0			[NEC],
8	52124627AC	1	J, T, U		74	ER0			BRACKET AND ISOLATOR, Exhaust
		1	J, T, U		74	ER0			[NEC]
9	68056524AB	1	J, T, U		74	ER0, EX0, EZ0			BRACKET, Exhaust Hanger
10	06101793	1	J, T, U		74	ER0			BOLT AND CONED WASHER, Hex Head, M8X1.25X25.00, Exhaust Bracket To Under Body, Mounting
11	06101809	1	J, T, U		74	ER0			NUT AND WASHER, Hex, M8x1.25, Exhaust Bracket To Under Body, Mounting
12	05147178AA	2	J, T, U		74	ER0			ISOLATOR, Exhaust Support
		2	J, T, U		74	ER0			[NEC]
13									ISOLATOR, Exhaust Support

GRAND CHEROKEE (WK)

SERIES LINE
H = HIGHLINE T = JEEP - 2WD
P = PREMIUM J = JEEP - 4WD
S = SPORT U = JEEP - 4WD (RHD)

BODY
74 = SPORT UTILITY 4-DR TYPE #4

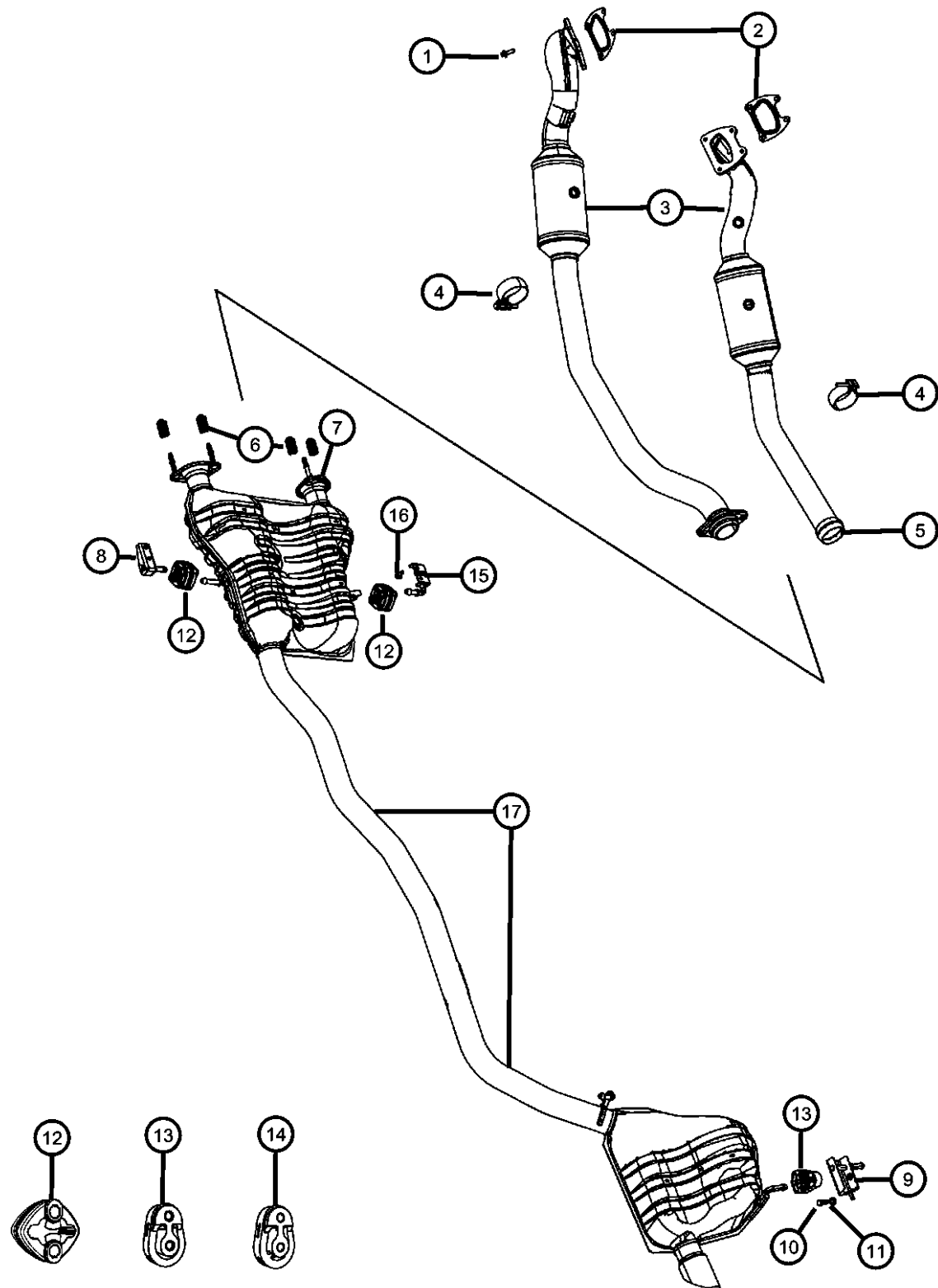
ENGINE
ERB = 3.6L Mid V6 Engine
EZH = 5.7L V8 HEMI MDS VVT Engine
EXF = 3.0L V6 Turbo Diesel Engine

TRANSMISSION
DGQ = 5-Spd Automatic 545RFE Transmission
DGJ = 5-Speed Auto W5A580 Transmission

AR = use ase required - = Non illustrated part

2011 WK

Exhaust System 3.6L [ERB]
Figure 11-105



ITEM	PART NUMBER	QTY	LINE	SERIES	BODY	ENGINE	TRANS	TRIM	DESCRIPTION
	05147179AA	1	J, T, U		74	ER0			[NEC]
		1	J, T, U		74	ER0			
14	52128501AA	1	J, T, U		74	ER0			ISOLATOR, Exhaust Support [NEC]
		1	J, T, U		74	ER0			
15	68040709AC	1	J, T, U		74	ER0			ISOLATOR, Exhaust Support Bracket
		1	J, T, U		74	ER0			
16	06104384AA	4	J, T, U		74	ER0, EZ0			BOLT AND WASHER, Hex Head, M8x1.25x20, Exhaust Bracket To Body, Mounting MUFFLER AND TAILPIPE, Exhaust
		1	J, T, U		74	ER0			
17	05147360AC	1	J, T, U		74	ER0			
	68083404AB	1	J, T, U		74	ER0			[NEC]

GRAND CHEROKEE (WK)

SERIES

H = HIGHLINE
P = PREMIUM
S = SPORT

LINE

T = JEEP - 2WD
J = JEEP - 4WD
U = JEEP - 4WD (RHD)

BODY

74 = SPORT UTILITY 4-DR
TYPE #4

ENGINE

ERB = 3.0L Mid V6 Engine
EZH = 5.7L V8 HEMI MDS
VVT Engine
EXF = 3.0L V6 Turbo Diesel
Engine

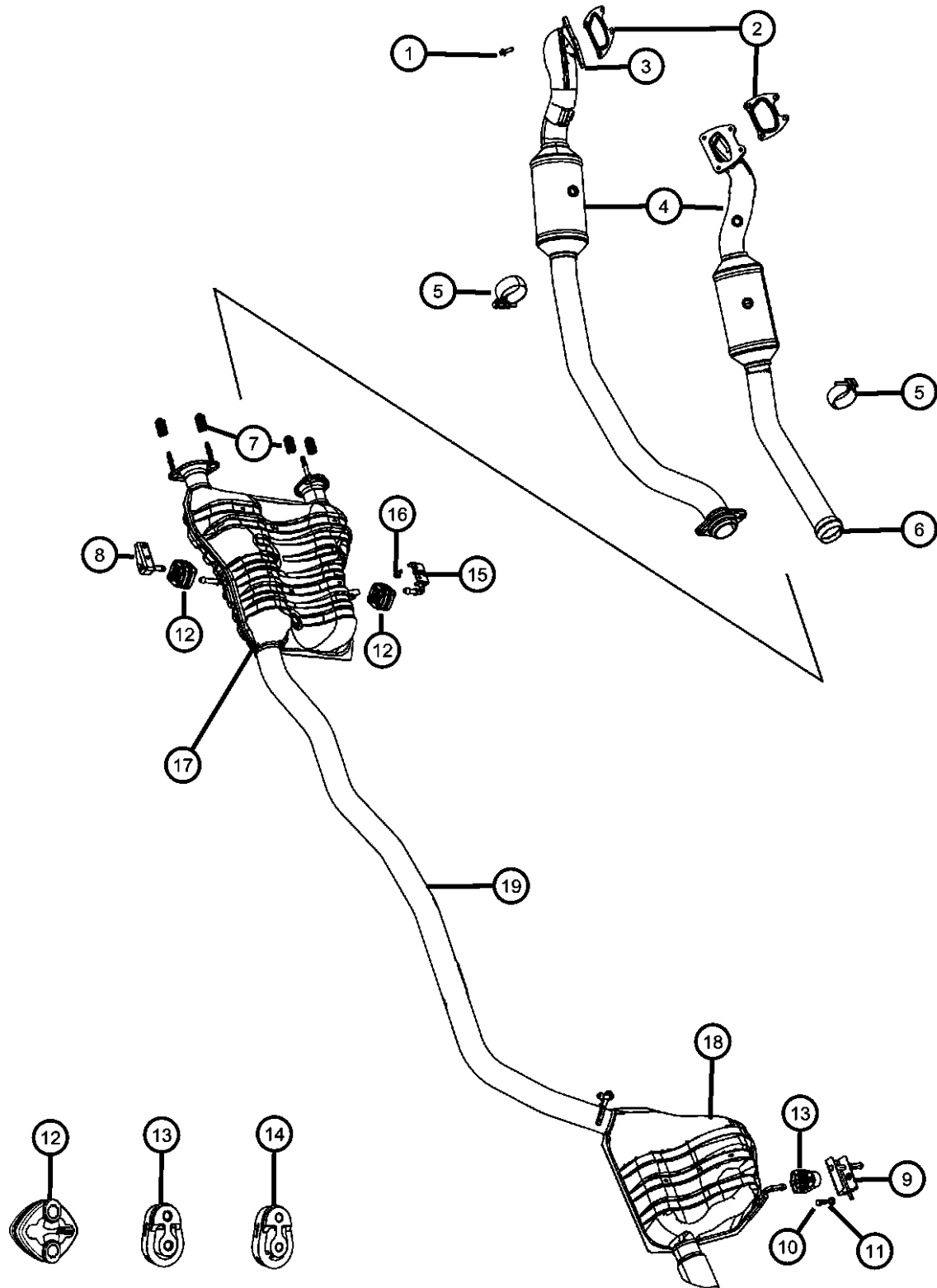
TRANSMISSION

DGQ = 5-Spd Automatic 545RFE
Transmission
DGJ = 5-Speed Auto W5A580
Transmission

AR = use ase required - = Non illustrated part

2011 WK

**Exhaust System 5.7L [EZH]
Figure 11-110**



ITEM	PART NUMBER	QTY	LINE	SERIES	BODY	ENGINE	TRANS	TRIM	DESCRIPTION
1	06036734AA	4	J, T, U		74	EZ0			BOLT, Hex Flange Head, .375-16X2.50, Front Exhaust Pipe To Exhaust Manifold, Mounting
2		4							GASKET, Exhaust Manifold, (NOT SERVICED)
3	06036684AA	4	J, T, U		74	EZH			NUT, U, .375-16, Front Exhaust Pipe To Exhaust Manifold, Mounting
4									PIPE AND CONVERTER, Exhaust, To Manifold
	52124621AD	1	J, T, U		74	EZ0			[NAA], Right Side
	68036447AD	1	J, T, U		74	EZ0			[NAA], Left Side
	68057630AB	1	J, T, U		74	EZ0			[NA1] [NAE], Right Side
	68057631AB	1	J, T, U		74	EZ0			[NA1] [NAE], Left Side
5		1							CLAMP, Exhaust, (NOT SERVICED),
6									SEAL RING, Exhaust
	68056529AA	1	J, T, U		74	EZ0			[NAA]
		1	J, T, U		74	EZ0			[NA1] [NAE]
		1	J, T, U		74	EZ0			NUT, Spring
7									
	68057855AA	2	J, T, U		74	EZ0, ER0			
		2	J, T, U		74	EZ0			
8	52124627AC	1	J, T, U		74	EZ0			BRACKET AND ISOLATOR, Exhaust
9									BRACKET, Exhaust Hanger
	68056521AB	1	J, T, U		74	EZ0			Left Side
	68056524AB	1	J, T, U		74	ER0, EX0, EZ0			Right Side
10	06101793	1	J, T, U		74	EZ0			BOLT AND CONED WASHER, Hex Head, M8X1.25X25.00, Exhaust Bracket To Under Body, Mounting
11	06101809	1	J, T, U		74	EZ0			NUT AND WASHER, Hex, M8x1.25, Exhaust Bracket To Under Body, Mounting
12	05147178AA	2	J, T, U		74	EZ0			ISOLATOR, Exhaust Support
13	05147179AA	1	J, T, U		74	EZ0			ISOLATOR, Exhaust Support
14	52128501AA	1	J, T, U		74	EZ0			ISOLATOR, Exhaust Support
15	68040709AC	1	J, T, U		74	EZ0			ISOLATOR, Exhaust SupportBracket

GRAND CHEROKEE (WK)

SERIES LINE
H = HIGHLINE T = JEEP - 2WD
P = PREMIUM J = JEEP - 4WD
S = SPORT U = JEEP - 4WD (RHD)

BODY
74 = SPORT UTILITY 4-DR
TYPE #4

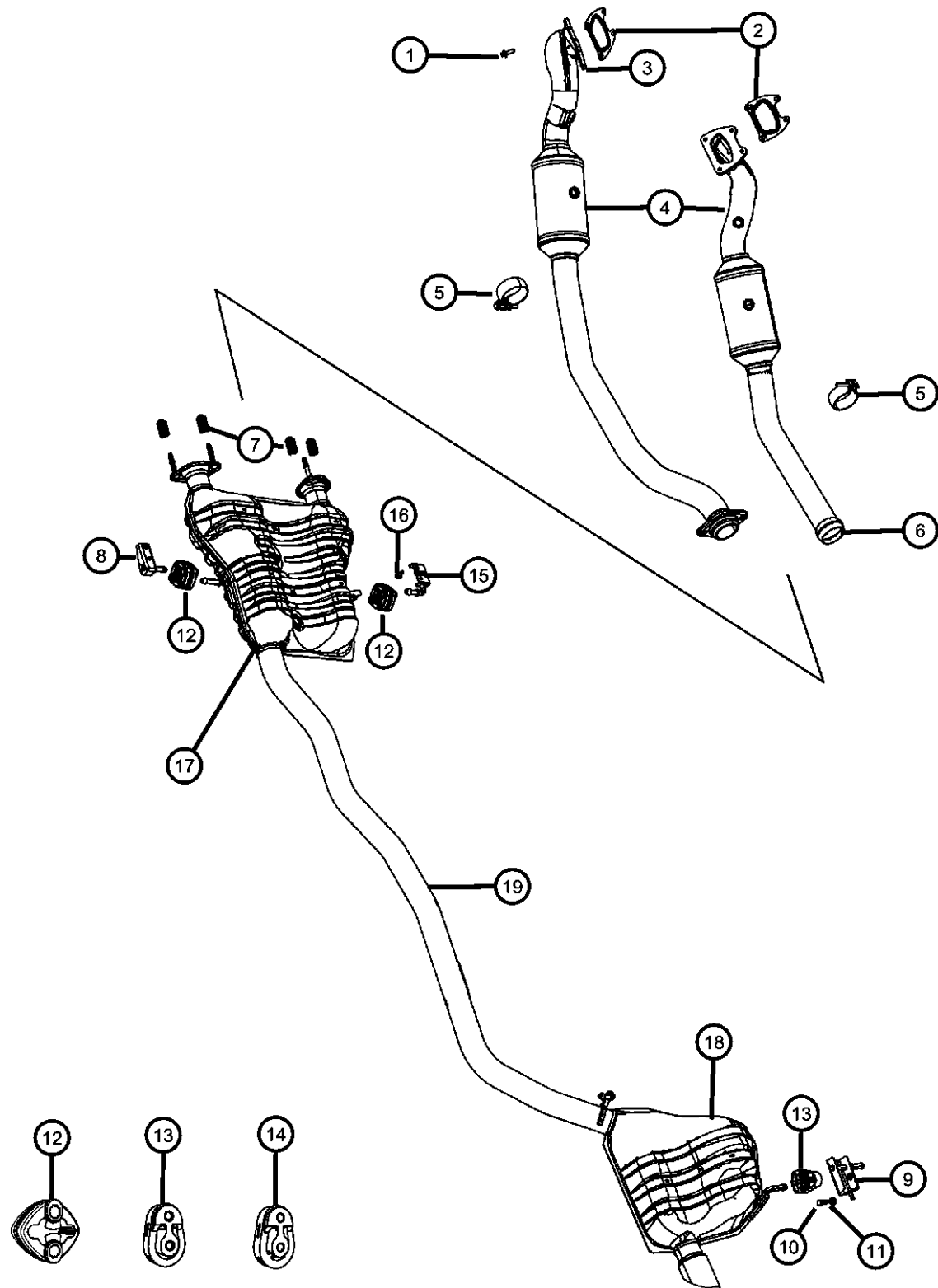
ENGINE
ERB = 3.XL Mid V6 Engine
EZH = 5.7L V8 HEMI MDS
VVT Engine
EXF = 3.0L V6 Turbo Diesel
Engine

TRANSMISSION
DGQ = 5-Spd Automatic 545RFE
Transmission
DGJ = 5-Speed Auto W5A580
Transmission

AR = use ase required - = Non illustrated part

2011 WK

Exhaust System 5.7L [EZH]
Figure 11-110



ITEM	PART NUMBER	QTY	LINE	SERIES	BODY	ENGINE	TRANS	TRIM	DESCRIPTION
16	06104384AA	4	J, T, U		74	ER0, EZ0			BOLT AND WASHER, Hex Head, M8x1.25x20, Exhaust Bracket To Body, Mounting
17	05147570AD	1	J, T, U		74	EZ0			MUFFLER AND TAILPIPE, ExhaustRight Side
18	04726055AC	1	J, T, U		74	EZ0			RESONATOR, ExhaustLeft Side
19	68072208AA	1	J, T, U		74	EZ0			PIPE, Exhaust ExtensionRight Side

GRAND CHEROKEE (WK)

SERIES LINE
H = HIGHLINE T = JEEP - 2WD
P = PREMIUM J = JEEP - 4WD
S = SPORT U = JEEP - 4WD (RHD)

BODY
74 = SPORT UTILITY 4-DR
TYPE #4

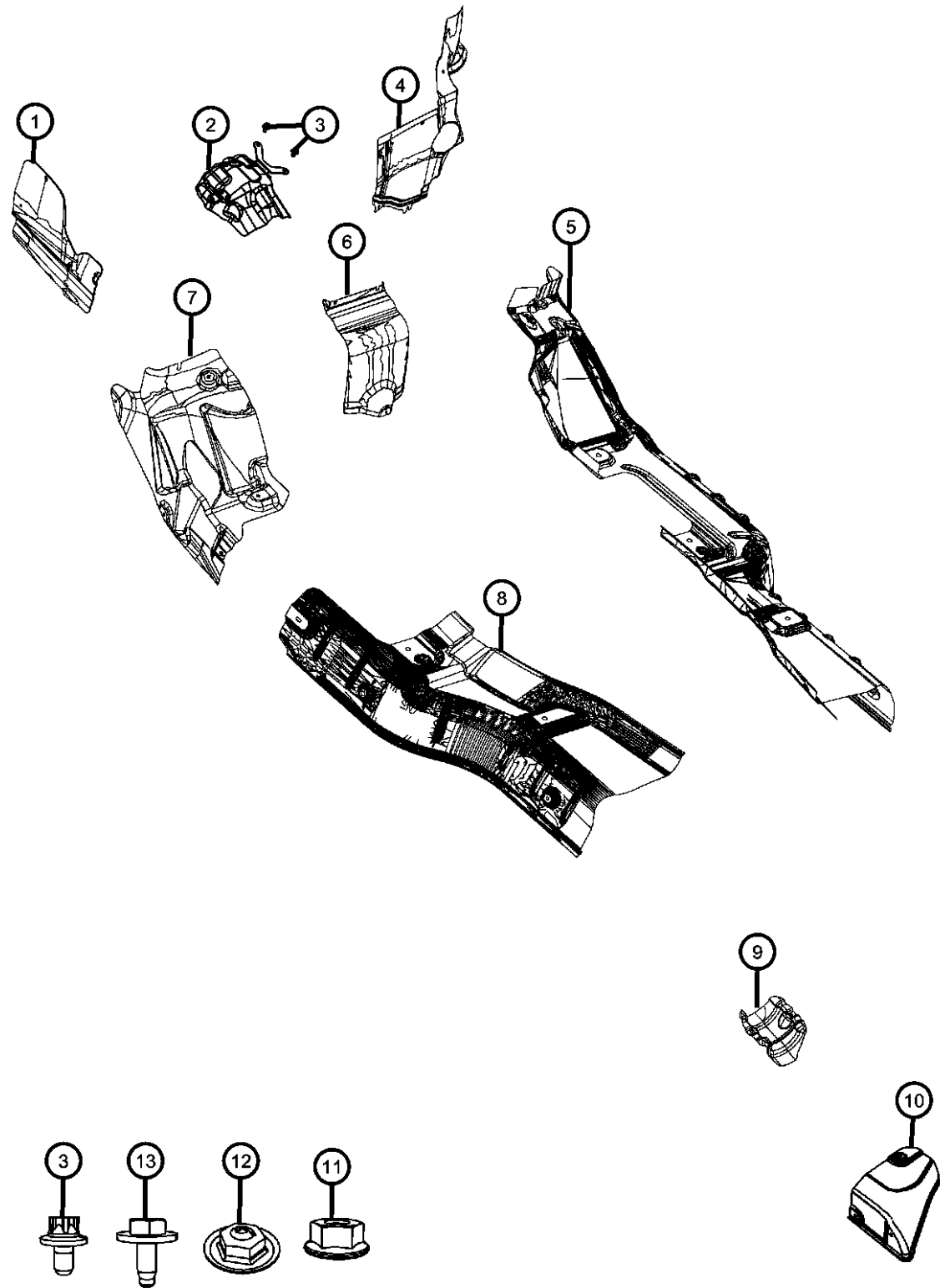
ENGINE
ERB = 3.XL Mid V6 Engine
EZH = 5.7L V8 HEMI MDS
VVT Engine
EXF = 3.0L V6 Turbo Diesel
Engine

TRANSMISSION
DGQ = 5-Spd Automatic 545RFE
Transmission
DGJ = 5-Speed Auto W5A580
Transmission

AR = use ase required - = Non illustrated part

2011 WK

Exhaust System Heat Shields
Figure 11-150



ITEM	PART NUMBER	QTY	LINE	SERIES	BODY	ENGINE	TRANS	TRIM	DESCRIPTION
1	55399273AD	1	J, T, U		74	ERB, EZ0			SHIELD, Brake & Fuel Line
2		1							SHIELD, Turbocharger, (NOT SERVICED)
3	05183964AA	3	J, T, U		74	EXL			BOLT, Hex Flange Head, M6x1.00x10.90, Heat Shield Turbocharger, Mounting
4	55399274AB	1	J, T		74	ERB, EZ0			SHIELD, Brake LineRight Side
5	68038805AD	1	J, T, U		74				SHIELD, Floor PanMiddle
6	68038810AB	1	J, T, U		74	EXL			SHIELD, Floor Pan
7	68069893AD	1	J, T, U		74	ERB, EZ0			SHIELD, Toe PanLeft Side
8	68069895AB	1	J, T, U		74	ERB, EZ0			SHIELD, HeatLeft Side
9									SHIELD, Center Bearing
	68038808AD	1	J, T, U		74				Outer
	68069922AA	1	J, T, U		74				Inner
10	68067437AA	1	J, T, U		74	EZ0			SHIELD, Exhaust, Resonator
11	06104725AA	2	J, T, U		74				NUT AND WASHER, Hex, M6X1.00, Center Bearing Heat Shield, Mounting
12									NUT, Stamped Hex Flange, M5x1.60
	06505199AA	3	J, T, U		74	EXL			Floor Pan Heat Shield, Mounting, Front
		1	J, T, U		74				Brake Line Heat Shield To Rail, Mounting, Right Side
		2	J, T, U		74				Brake Line Heat Shield To Rail, Mounting, Left Side
		8	J, T, U		74				Toe Pan Heat Shield To Tunnel, Mounting
		4	J, T, U		74	ERB, EZ0			Floor Pan Heat Shield, Mounting, Middle
		3	J, T, U		74	EZ0			Floor Pan Heat Shield, Mounting, Rear
		3	J, T, U		74	EZ0			Resonator Heat Shield, Mounting
		5	J, T, U		74	ERB, EZ0			Toe Pan Heat Shield, Mounting
		3	J, T, U		74				Muffler Heat Shield, Mounting
13									SCREW, Hex Head, M6x1.0x16.00
	06105096AA	1	J, T, U		74				Brake Line Heat Shield To Rail, Mounting, Left Side
		1	J, T, U		74				Brake Line Heat Shield To Rail, Mounting, Right Side

GRAND CHEROKEE (WK)

SERIES LINE
H = HIGHLINE T = JEEP - 2WD
P = PREMIUM J = JEEP - 4WD
S = SPORT U = JEEP - 4WD (RHD)

BODY
74 = SPORT UTILITY 4-DR
TYPE #4

ENGINE
ERB = 3.XL Mid V6 Engine
EZH = 5.7L V8 HEMI MDS
VVT Engine
EXF = 3.0L V6 Turbo Diesel
Engine

TRANSMISSION
DGQ = 5-Spd Automatic 545RFE
Transmission
DGJ = 5-Speed Auto W5A580
Transmission

AR = use ase required - = Non illustrated part

2011 WK

Group - 13

Frame, Bumper and Fascia

Group - 13 Frame, Bumper and Fascia

Illustration Title

Group-Fig. No.

Front Bumper and Fascia

Fascia, Front.....Fig. 13 - 205

Rear Bumper and Fascia

Fascia, Rear.....Fig. 13 - 305

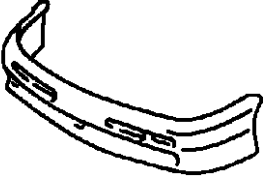
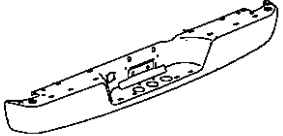
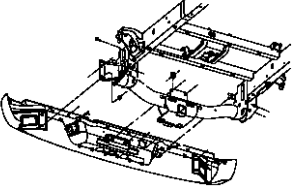
Trailer Tow and Tow Hooks

Tow Hooks, Front.....Fig. 13 - 505

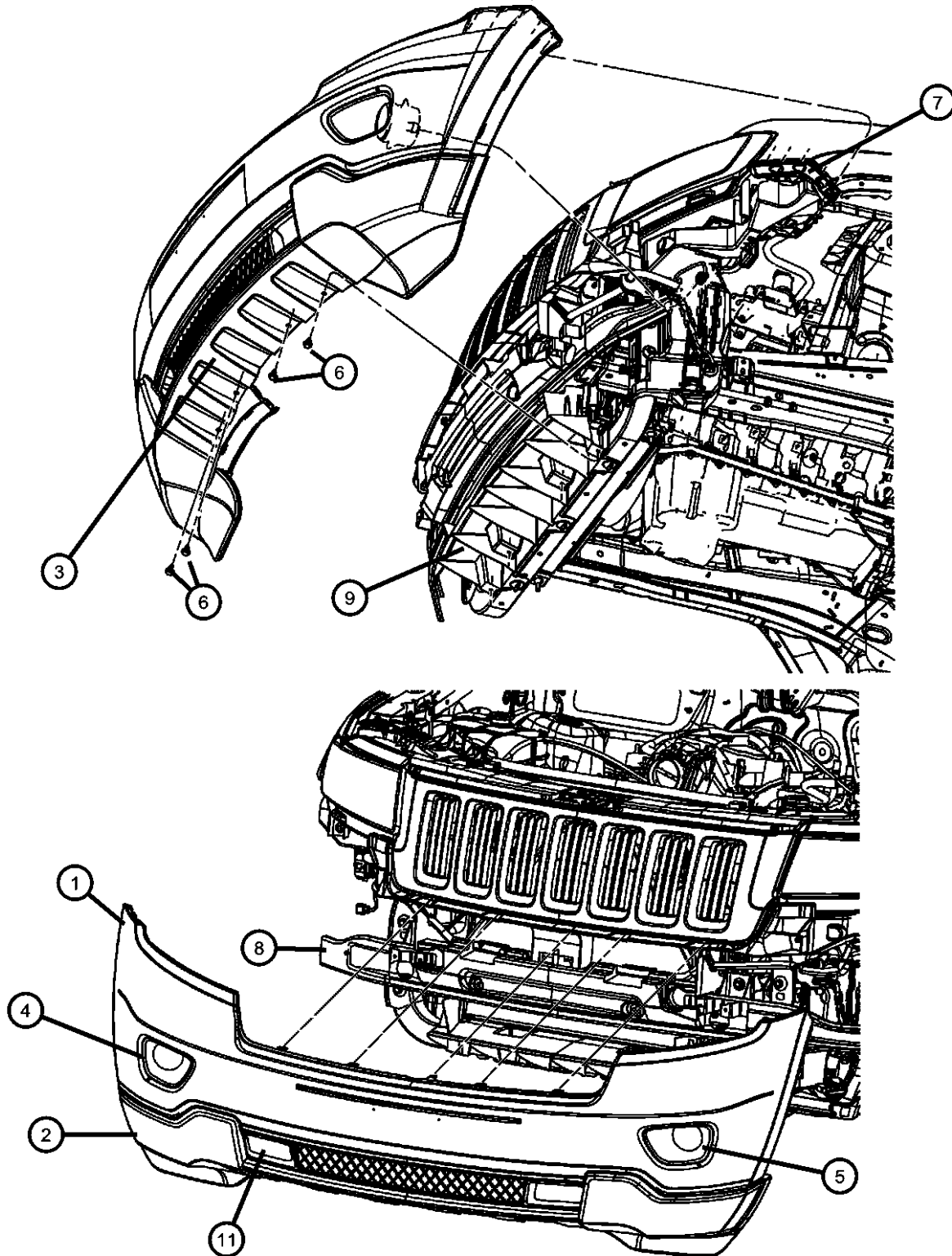
Tow Hooks & Hitch, Rear.....Fig. 13 - 510

Under Body Protection

Underbody Shields And Plate.....Fig. 13 - 705

<p>013-200 Front Bumper and Fascia</p> 	<p>013-300 Rear Bumper and Fascia</p> 	<p>013-500 Trailer Tow and Tow Hooks</p> 	<p>013-700 Under Body Protection</p>
--	--	--	---

Fascia, Front
Figure 13-205



ITEM	PART NUMBER	QTY	LINE	SERIES	BODY	ENGINE	TRANS	TRIM	DESCRIPTION
1	68078268AA	1	J, T, U		74				FASCIA, Front Upper, Primed
									[MLA]
									[MCX] Without [JHS]
									[MCX], [NHP]
									[MCX], [JHS]
68078269AA	1	J, T, U		74				[MCD], Export	
2	68078270AA	1	J, T, U		74				FASCIA, Front Lower
									[MCD]
									[MCX] Without [NHP]
									[MCX], [NHP]
68078272AA	1	J, T, U		74				[MLA]	
3	68078287AA	1	J, T, U		74				APPLIQUE, Fascia
									[MCX], [NHP]
68078286AA	1	J, T, U		74					[MCX]
4	68078284AA	1	J, T, U		74				BEZEL, Fog Lamp
									Right
68078285AA	1	J, T, U		74					Left
5	68110962AA	1	J, T, U		74				BEZEL, Fog Lamp, Chrome
									Chrome, Right
68110963AA	1	J, T, U		74					Chrome, Left
6	06503598	4	J, T, U		74				PIN, Push, M8x21
7	55079228AD	1	J, T, U		74				BRACKET, Bumper
									Right
55079229AD	1	J, T, U		74					Left
8	05182507AA	1	J, T, U		74				BEAM, Front Bumper
									[NHP], [XEA]
									[NHP], Export
55079392AD	1	J, T, U		74					Export
57010630AE	1	J, T, U		74					[XEA]
57010727AD	1	J, T, U		74					ABSORBER, Front Energy
9	57010627AB	1	J, T, U		74				Export
57010629AD	1	J, T, U		74					Export
-10	68033794AA	2	J, T, U		74				RETAINER, Air Dam, Attach Lower Fascia To Upper Fascia

GRAND CHEROKEE (WK)

SERIES LINE
H = HIGHLINE T = JEEP - 2WD
P = PREMIUM J = JEEP - 4WD
S = SPORT U = JEEP - 4WD (RHD)

BODY
74 = SPORT UTILITY 4-DR
TYPE #4

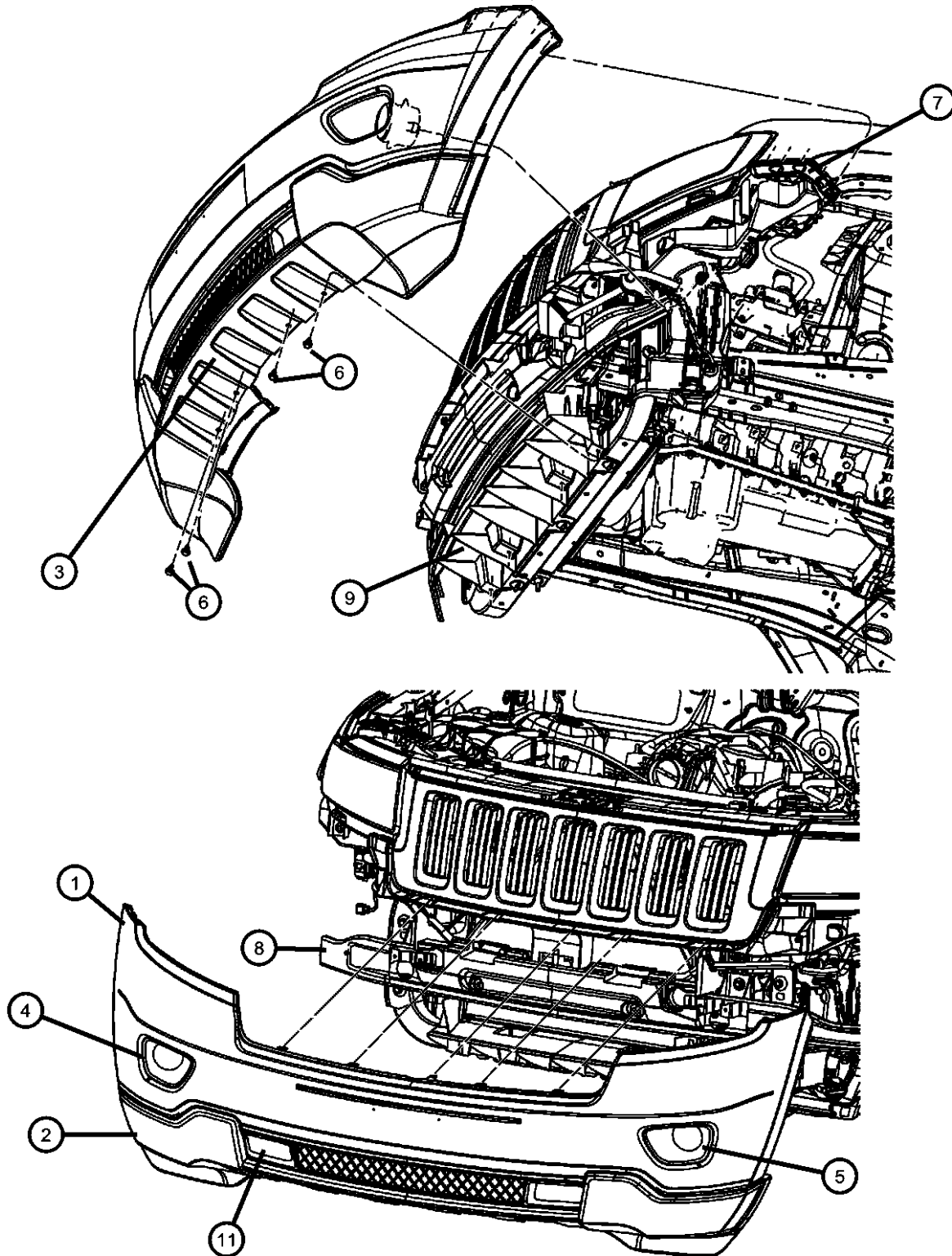
ENGINE
ERB = 3.0L Mid V6 Engine
EZH = 5.7L V8 HEMI MDS
VVT Engine
EXF = 3.0L V6 Turbo Diesel
Engine

TRANSMISSION
DGQ = 5-Spd Automatic 545RFE
Transmission
DGJ = 5-Speed Auto W5A580
Transmission

AR = use ase required - = Non illustrated part

2011 WK

Fascia, Front
Figure 13-205



ITEM	PART NUMBER	QTY	LINE	SERIES	BODY	ENGINE	TRANS	TRIM	DESCRIPTION
11	1SJ40RXFAB	1	J, T, U		74				COVER, Tow Hook Right
	1SJ41RXFAB	1	J, T, U		74				Left
-12	68078296AA	1	J, T, U		74				EXTENSION, Fender Right
	68078297AA	1	J, T, U		74				Left
-13	68102165AA	1	J, T, U		74				LICENSE PLATE KIT [MDA]
	55113383AA	1	J, T, U		74				Without [LS9]
	55113384AA	1	J, T, U		74				[LS9]

GRAND CHEROKEE (WK)

SERIES LINE
H = HIGHLINE T = JEEP - 2WD
P = PREMIUM J = JEEP - 4WD
S = SPORT U = JEEP - 4WD (RHD)

BODY
74 = SPORT UTILITY 4-DR
TYPE #4

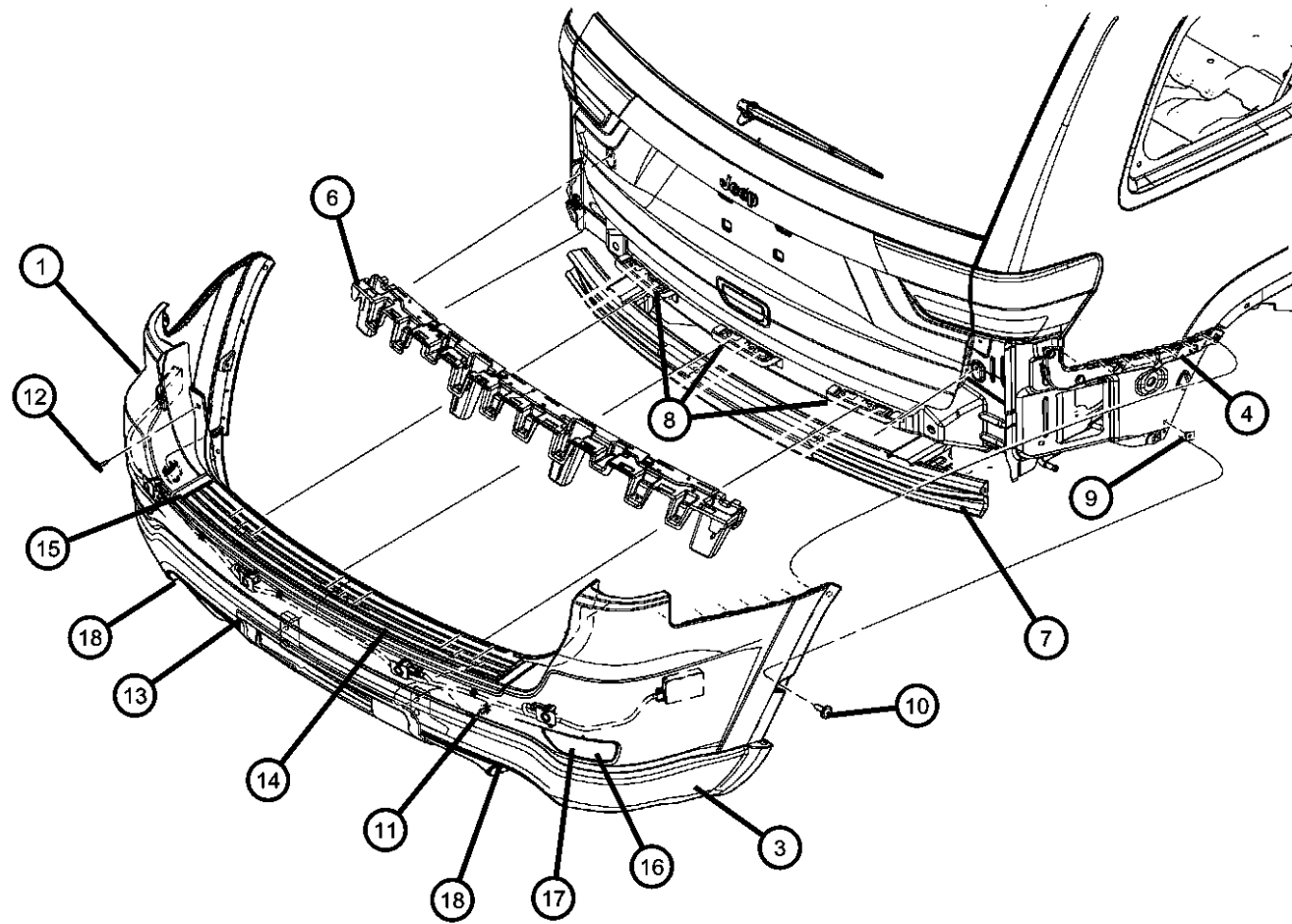
ENGINE
ERB = 3.0L Mid V6 Engine
EZH = 5.7L V8 HEMI MDS
VVT Engine
EXF = 3.0L V6 Turbo Diesel
Engine

TRANSMISSION
DGQ = 5-Spd Automatic 545RFE
Transmission
DGJ = 5-Speed Auto W5A580
Transmission

AR = use ase required - = Non illustrated part

2011 WK

Fascia, Rear
Figure 13-305



ITEM	PART NUMBER	QTY	LINE	SERIES	BODY	ENGINE	TRANS	TRIM	DESCRIPTION
1									FASCIA, Rear Upper
	68078314AA	1	J, T, U		74				[ERB] Or [EX0], [MCX], [XAA], [XAN] Without [AHT] And/Or [AHX]
		1	J, T, U		74				[EZ0], [XAA], [XAN] Without [AHT] And/Or [AHX]
	68078309AA	1	J, T, U		74				[EZ0], [MCD] Without [XAG]
		1	J, T, U		74				[ERB] Or [EX0], [MCX], [XAG] Without [XAN]
		1	J, T, U		74				[EZ0], [MCX], [XAG] Without [XAN]
		1	J, T, U		74				[ERB] Or [EX0], [MCX], [XAG], [XAN]
	68085679AA	1	J, T, U		74				[EZ0], [MCX], [XAG], [XAN]
		1	J, T, U		74				[ERB] Or [EX0], [MLA], [XAA], [AHT] Or [AHX]
		1	J, T, U		74				[EZ0], [MLA], [XAA], [AHT] Or [AHX]
		1	J, T, U		74				[ERB] Or [EX0], [MLA], [XAA] Without [AHT] And/Or [AHX]
		1	J, T, U		74				[EZ0], [MLA], [XAA] Without [AHT] And/Or [AHX]
		1	J, T, U		74				[ERB] Or [EX0], [MCX], [XAA], [XAN], [AHT] Or [AHX]
		1	J, T, U		74				[EZ0], [MCX], [XAA], [XAN], [AHT] Or [AHX]
		1	J, T, U		74				[ERB] Or [EX0], [MCX] Without [XAN] And/Or [AHT] And/Or [AHX]
		1	J, T, U		74				[EZ0], [MCX] Without [XAN] And/Or [AHT] And/Or [AHX]
		1	J, T, U		74				[ERB] Or [EX0], [AHT] And/Or [AHX], [MCX] Without [XAN]
		1	J, T, U		74				[EZ0], [AHT] And/Or [AHX], [MCX] Without [XAN]
		1	J, T, U		74				[ERB] Or [EX0], [MCD] Without [XAG]
		1	J, T, U		74				[EZ0], [MLA] Without [AHT] And/Or [AHX] And/Or [XAA]
		1	J, T, U		74				[EZ0], [MLA], [AHT] And/Or [AHX] Without [XAA]
		1	J, T, U		74				[ERB] Or [EX0], [MLA] Without [AHT] And/Or [AHX] And/Or [XAA]
		1	J, T, U		74				[ERB] Or [EX0], [MLA], [AHT] Or [AHX] Without [XAA]

GRAND CHEROKEE (WK)

SERIES LINE
H = HIGHLINE T = JEEP - 2WD
P = PREMIUM J = JEEP - 4WD
S = SPORT U = JEEP - 4WD (RHD)

BODY
74 = SPORT UTILITY 4-DR
TYPE #4

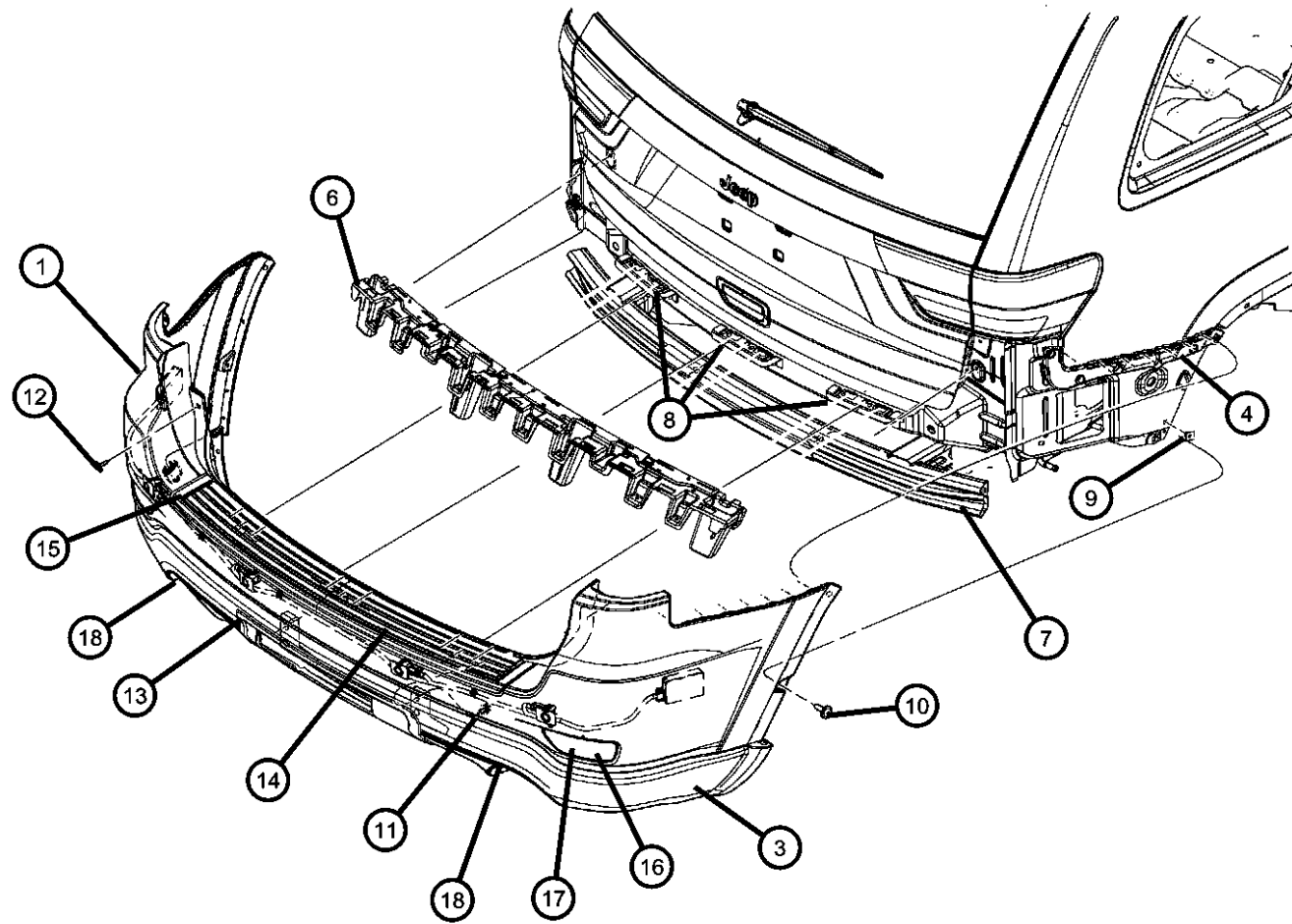
ENGINE
ERB = 3.XL Mid V6 Engine
EZH = 5.7L V8 HEMI MDS
VVT Engine
EXF = 3.0L V6 Turbo Diesel
Engine

TRANSMISSION
DGQ = 5-Spd Automatic 545RFE
Transmission
DGJ = 5-Speed Auto W5A580
Transmission

AR = use ase required - = Non illustrated part

2011 WK

Fascia, Rear
Figure 13-305



ITEM	PART NUMBER	QTY	LINE	SERIES	BODY	ENGINE	TRANS	TRIM	DESCRIPTION
-2	68078584AA	11	J, T, U		74				CLIP, Spring, Upper Fascia To Lower Fascia Attaching Clips
3									FASCIA, Rear Lower
	68078315AA	1	J, T, U		74				[ERB] Or [EX0], [MCD] Without [XAG]
	68078318AA	1	J, T, U		74				[EZO], [AHT] And/Or [AHX], [MCX] Without [XAN]
		1	J, T, U		74				[EZO], [MCX], [XAA], [XAN], [AHT] Or [AHX]
		1	J, T, U		74				[ERB] Or [EX0], [MCX], [XAG] Without [XAN]
		1	J, T, U		74				[ERB] Or [EX0], [MCX], [XAG], [XAN]
	68078316AA	1	J, T, U		74				[ERB] Or [EX0], [AHT] And/Or [AHX], [MCX] Without [XAN]
		1	J, T, U		74				[ERB] Or [EX0], [MCX], [XAA], [XAN], [AHT] Or [AHX]
	68078317AA	1	J, T, U		74				[EZO], [MLA], [XAA] Without [AHT] And/Or [AHX]
		1	J, T, U		74				[EZO], [XAA], [XAN] Without [AHT] And/Or [AHX]
		1	J, T, U		74				[EZO], [MCD] Without [XAG]
		1	J, T, U		74				[EZO], [MCX], [XAG] Without [XAN]
		1	J, T, U		74				[EZO], [MLA], [AHT] And/Or [AHX] Without [XAA]
		1	J, T, U		74				[ERB] Or [EX0], [MCX] Without [XAN] And Or [AHT] And/Or [AHX]
		1	J, T, U		74				[ERB] Or [EX0], [MCX], [XAA], [XAN] Without [AHT] And Or [AHX]
		1	J, T, U		74				[ERB] Or [EX0], [MLA], [XAA] Without [AHT] And/Or [AHX]
		1	J, T, U		74				[ERB] Or [EX0], [MLA] Without [AHT] And Or [AHX] And/Or [XAA]
		1	J, T, U		74				[ERB] Or [EX0], [MLA], [XAA], [AHT] Or [AHX]
		1	J, T, U		74				[ERB] Or [EX0], [MLA], [AHT] Or [AHX] Without [XAA]
		1	J, T, U		74				[EZO], [MLA] Without [AHT] And/Or [AHX] And/Or [XAA]
		1	J, T, U		74				[EZO], [MCX], [XAG], [XAN]
		1	J, T, U		74				[EZO], [MLA], [XAA], [AHT] Or [AHX]

GRAND CHEROKEE (WK)

SERIES LINE
H = HIGHLINE T = JEEP - 2WD
P = PREMIUM J = JEEP - 4WD
S = SPORT U = JEEP - 4WD (RHD)

BODY
74 = SPORT UTILITY 4-DR TYPE #4

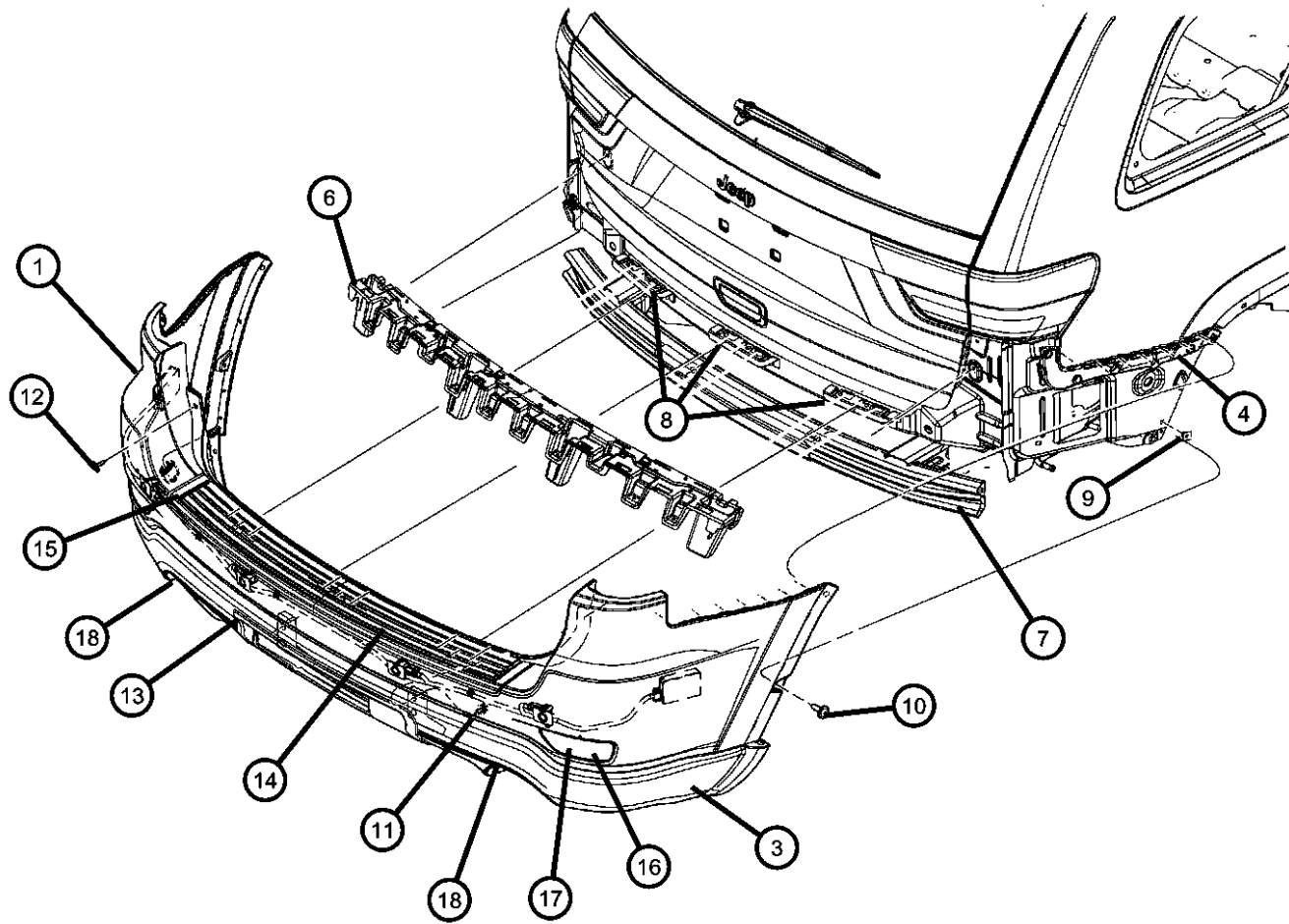
ENGINE
ERB = 3.0L Mid V6 Engine
EZH = 5.7L V8 HEMI MDS VVT Engine
EXF = 3.0L V6 Turbo Diesel Engine

TRANSMISSION
DGQ = 5-Spd Automatic 545RFE Transmission
DGJ = 5-Speed Auto W5A580 Transmission

AR = use ase required - = Non illustrated part

2011 WK

Fascia, Rear
Figure 13-305



ITEM	PART NUMBER	QTY	LINE	SERIES	BODY	ENGINE	TRANS	TRIM	DESCRIPTION
		1	J, T, U		74				[EZ0], [MCX] Without [XAN] And Or [AHT] And/Or [AHX]
4									BRACKET, Rear Bumper
	55079222AD	1	J, T, U		74				Right
	55079223AD	1	J, T, U		74				Left
-5	06509481AA	6	J, T, U		74				SCREW, Hex Head, M6x2.69x21, Bracket Attaching Screw
6	57010724AB	1	J, T, U		74				ABSORBER, Rear Energy
7	04578827AF	1	J, T, U		74				BEAM, Rear Bumper
8	55079164AA	3	J, T, U		74				BRACKET, Bumper
9	06035401	2	J, T, U		74				NUT, Snap In, .164-18
10	06506161AA	2	J, T, U		74				SCREW AND WASHER, Tapping Hex Head, M4.2x1.41x20
11	06503598	4	J, T, U		74				PIN, Push, M8x21
12	06508183AA	2	J, T, U		74				SCREW AND WASHER, Truss Head, M6X1.00X30.00
13	68078273AA	1	J, T, U		74				BEZEL, Hitch
14	68078321AA	1	J, T, U		74				STEP PAD, Rear Fascia
15									SURROUND, Step Pad
	68078319AA	1	J, T, U		74				Black
	68078320AA	1	J, T, U		74				Chrome
16									REFLECTOR, Fascia
	57010721AB	1	J, T, U		74				Left
	57010720AB	1	J, T, U		74				Right
17									LAMP, Rear Fog
	57010716AB	1	J, T, U		74				Right
	57010717AB	1	J, T, U		74				Left
18									SHIELD, Exhaust, Rear Fascia
	68090952AA	1	J, T, U		74				[EZ0], Right
		1	J, T, U		74				[ERB] Or [EX0], Right
		1	J, T, U		74				[EZ0], Left
-19									PUSH NUT
	68090948AA	1	J, T, U		74				[ERB] Or [EX0] Heat Shield Attach
		2	J, T, U		74				[EZ0] Heat Shield Attach
-20									SCREW, Heat Shield Attach

GRAND CHEROKEE (WK)

SERIES LINE
H = HIGHLINE T = JEEP - 2WD
P = PREMIUM J = JEEP - 4WD
S = SPORT U = JEEP - 4WD (RHD)

BODY
74 = SPORT UTILITY 4-DR
TYPE #4

ENGINE
ERB = 3.0L Mid V6 Engine
EZH = 5.7L V8 HEMI MDS
VVT Engine
EXF = 3.0L V6 Turbo Diesel
Engine

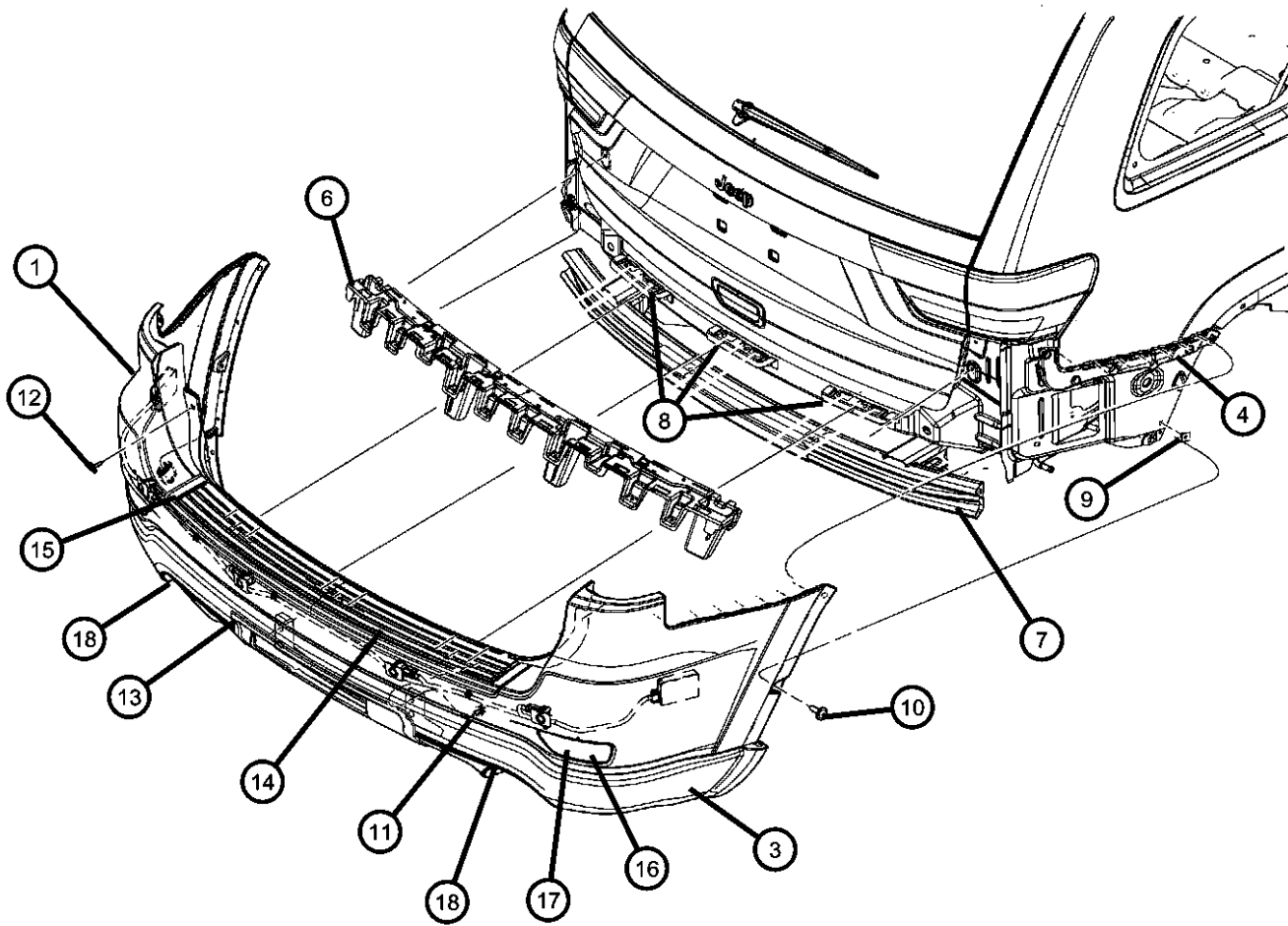
TRANSMISSION
DGQ = 5-Spd Automatic 545RFE
Transmission
DGJ = 5-Speed Auto W5A580
Transmission

AR = use ase required - = Non illustrated part

2011 WK

Fascia, Rear
Figure 13-305

ITEM	PART NUMBER	QTY	LINE	SERIES	BODY	ENGINE	TRANS	TRIM	DESCRIPTION
	68090949AA	4	J, T, U		74				[ERB] Or [EX0] Heat Shield Attach
		8	J, T, U		74				[EZ0] Heat Shield Attach



GRAND CHEROKEE (WK)

SERIES LINE
H = HIGHLINE T = JEEP - 2WD
P = PREMIUM J = JEEP - 4WD
S = SPORT U = JEEP - 4WD (RHD)

BODY
74 = SPORT UTILITY 4-DR
TYPE #4

ENGINE
ERB = 3.0L Mid V6 Engine
EZH = 5.7L V8 HEMI MDS
VVT Engine
EXF = 3.0L V6 Turbo Diesel
Engine

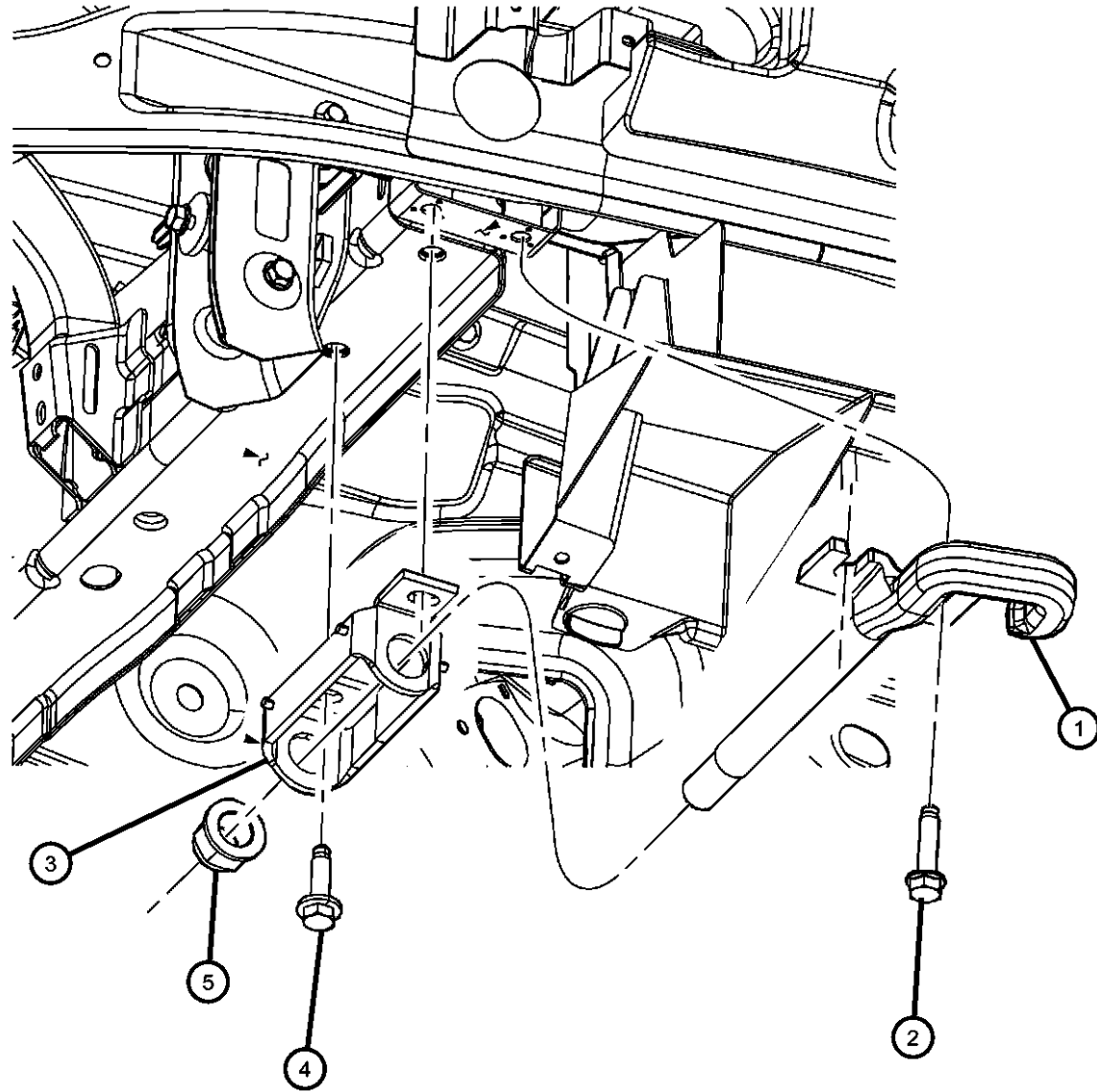
TRANSMISSION
DGQ = 5-Spd Automatic 545RFE
Transmission
DGJ = 5-Speed Auto W5A580
Transmission

AR = use ase required - = Non illustrated part

2011 WK

Tow Hooks, Front
Figure 13-505

ITEM	PART NUMBER	QTY	LINE	SERIES	BODY	ENGINE	TRANS	TRIM	DESCRIPTION
1	68065280AC	1	J, T, U		74				HOOK, Tow [XEA] OR [XEV], Right
	68065281AC	1	J, T, U		74				[XEA] OR [XEV], Left
2	06104428AA	4	J, T, U		74				BOLT AND CONED WASHER, Hex Head, M10X1.5X65.00, [XEA] OR [XEV]
3	68068159AA	2	J, T, U		74				BRACKET, Tow Hook, [XEA] OR [XEV]
4	06104418AA	4	J, T, U		74				BOLT AND WASHER, Hex Head, M10x1.50x40.00, [XEA] OR [XEV]
5	06507079AA	2	J, T, U		74				NUT, Hex Flange Lock, M20x1.50, [XEA] OR [XEV]



GRAND CHEROKEE (WK)

SERIES LINE
H = HIGHLINE T = JEEP - 2WD
P = PREMIUM J = JEEP - 4WD
S = SPORT U = JEEP - 4WD (RHD)

BODY
74 = SPORT UTILITY 4-DR
TYPE #4

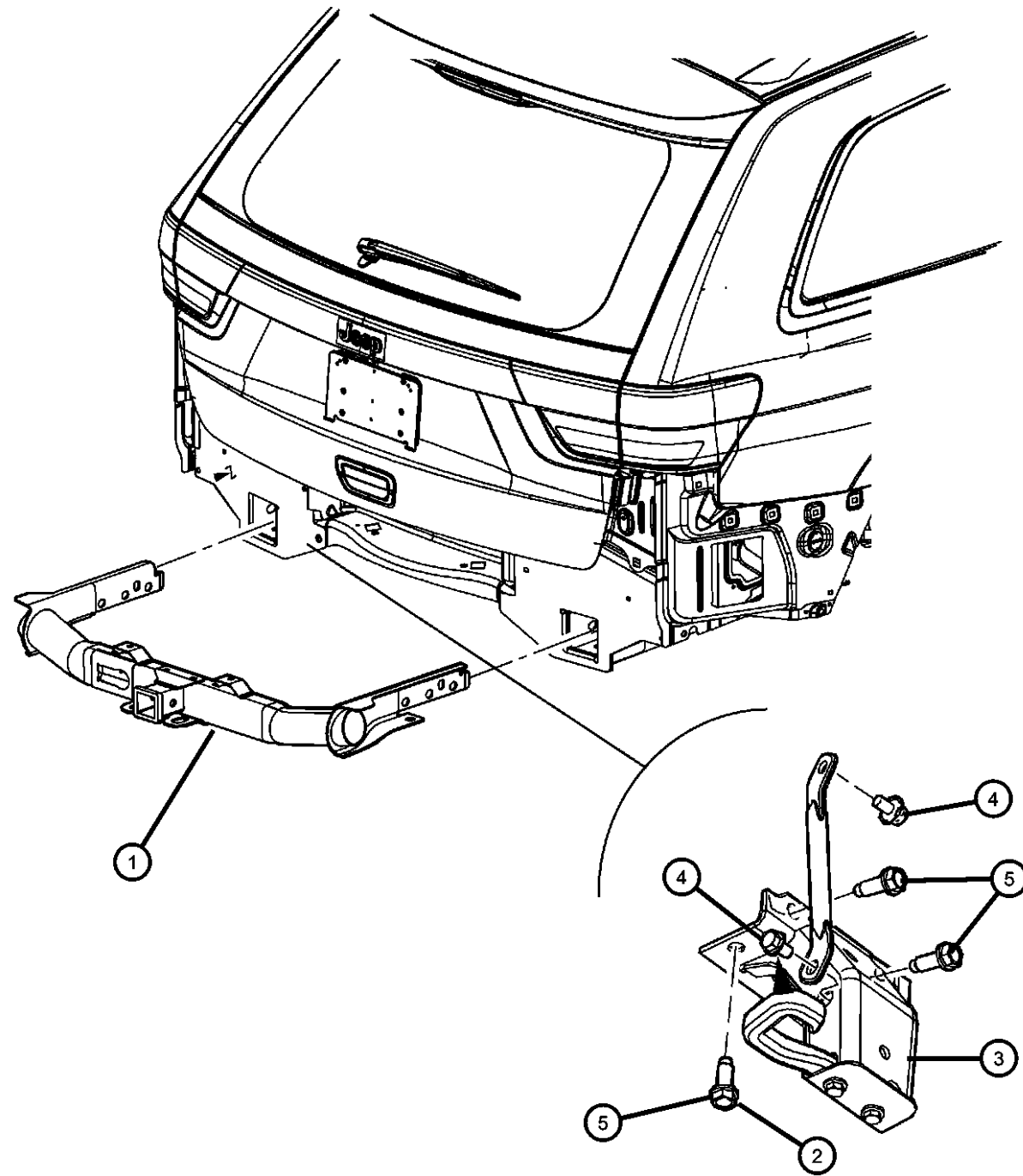
ENGINE
ERB = 3.0L Mid V6 Engine
EZH = 5.7L V8 HEMI MDS
VVT Engine
EXF = 3.0L V6 Turbo Diesel
Engine

TRANSMISSION
DGQ = 5-Spd Automatic 545RFE
Transmission
DGJ = 5-Speed Auto W5A580
Transmission

AR = use ase required - = Non illustrated part

2011 WK

Tow Hooks & Hitch, Rear
Figure 13-510



ITEM	PART NUMBER	QTY	LINE	SERIES	BODY	ENGINE	TRANS	TRIM	DESCRIPTION
1	52124606AC	1	J, T, U		74				HITCH, Trailer, [XFH]
2	06508668AA	6	J, T, U		74				BOLT AND WASHER, Hex Head, M14x2.00x45.00, Hitch Attaching
3	68044680AC	1	J, T, U		74				HOOK, Tow, [XEA] Or [XEV]
4	06104234AA	1	J, T, U		74				BOLT, Hex Flange Head, M12x1.50x30.00
5	06508668AA	6	J, T, U		74				BOLT AND WASHER, Hex Head, M14x2.00x45.00

GRAND CHEROKEE (WK)

SERIES LINE
H = HIGHLINE T = JEEP - 2WD
P = PREMIUM J = JEEP - 4WD
S = SPORT U = JEEP - 4WD (RHD)

BODY
74 = SPORT UTILITY 4-DR
TYPE #4

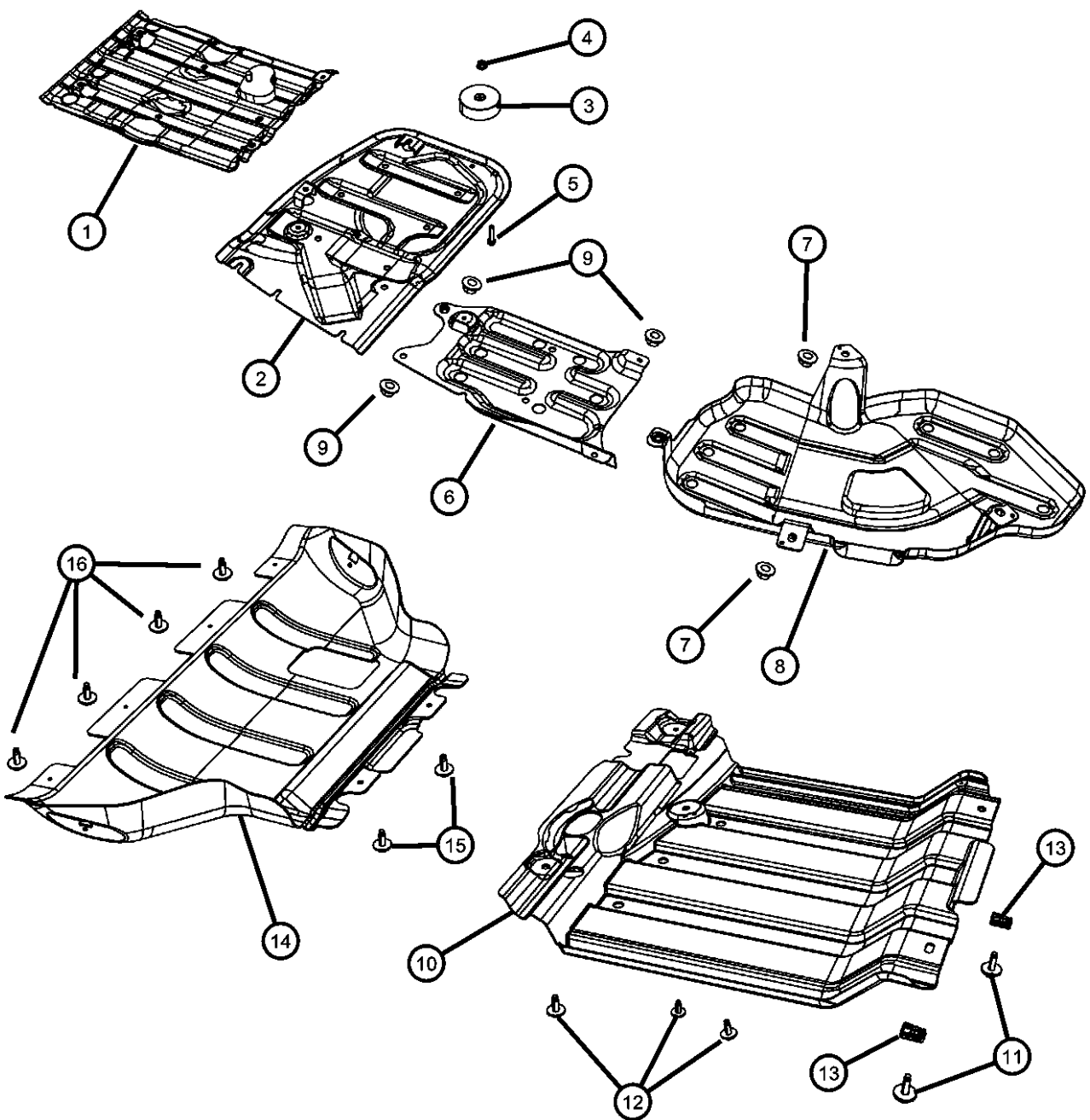
ENGINE
ERB = 3.0L Mid V6 Engine
EZH = 5.7L V8 HEMI MDS
VVT Engine
EXF = 3.0L V6 Turbo Diesel
Engine

TRANSMISSION
DGQ = 5-Spd Automatic 545RFE
Transmission
DGJ = 5-Speed Auto W5A580
Transmission

AR = use ase required - = Non illustrated part

2011 WK

Underbody Shields And Plate
Figure 13-705



ITEM	PART NUMBER	QTY	LINE	SERIES	BODY	ENGINE	TRANS	TRIM	DESCRIPTION
1	52124603AD	1	J, U		74				SKID PLATE, Front, [XEU]
2	52124601AD	1	J, T, U		74				SKID PLATE, Transfer Case, [XEF]
3	68078060AA	1	J, T, U		74				DAMPER, Transfer Case
4	06104717AA	1	J, T, U		74				NUT, Hex Flange Lock, M10x1.50
5	06102172AA	1	J, T, U		74				SCREW AND WASHER, Hex Head, M10x1.5x50
6	04726085AB	1	J, T, U		74				SKID PLATE, Transfer Case, [X3F] Or [XEF]
7	06101831	2	J, T, U		74				NUT, Hex Flange, M8x1.25, Skid Plate To Body Crossmember
8									SKID PLATE, Fuel Tank
	68061320AC	1	J, T, U		74				[XEE], Right
	68061321AC	1	J, T, U		74				[XEE], Left
9	06101831	3	J, T, U		74				NUT, Hex Flange, M8x1.25, Underbody Skid Plate To Body
10	05182517AA	1	J, T, U		74				BELLY PAN, Transmission
11	06509760AA	4	J, T, U		74				SCREW, Hex Flange Head, M8X1.25X40.00
12	06105102AA	3	J, T, U		74				SCREW AND WASHER, Hex Head, M8x1.25x25.00
13	06105243AA	4	J, T, U		74				NUT
14	55079191AD	1	J, T, U		74				BELLY PAN, Front
15	06508182AA	3	J, T, U		74				SCREW AND WASHER, Hex Head, M6X1.00X25.50
16	06509553AA	4	J, T, U		74				PUSH PIN


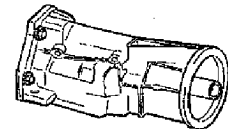


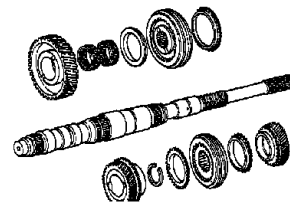
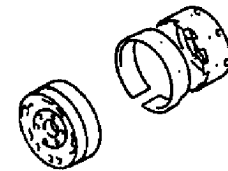
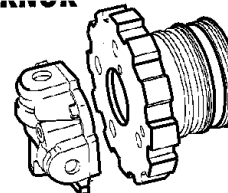
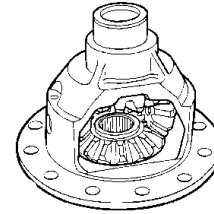
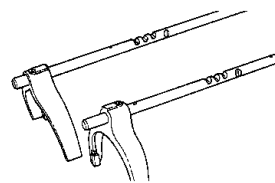
GRAND CHEROKEE (WK)

SERIES	LINE	BODY	ENGINE	TRANSMISSION
H = HIGHLINE	T = JEEP - 2WD	74 = SPORT UTILITY 4-DR	ERB = 3.XL Mid V6 Engine	DGQ = 5-Spd Automatic 545RFE
P = PREMIUM	J = JEEP - 4WD	TYPE #4	EZH = 5.7L V8 HEMI MDS	Transmission
S = SPORT	U = JEEP - 4WD (RHD)		VVT Engine	DGJ = 5-Speed Auto W5A580
			EXF = 3.0L V6 Turbo Diesel	Transmission
			Engine	

AR = use ase required - = Non illustrated part

Group - 14

Fuel

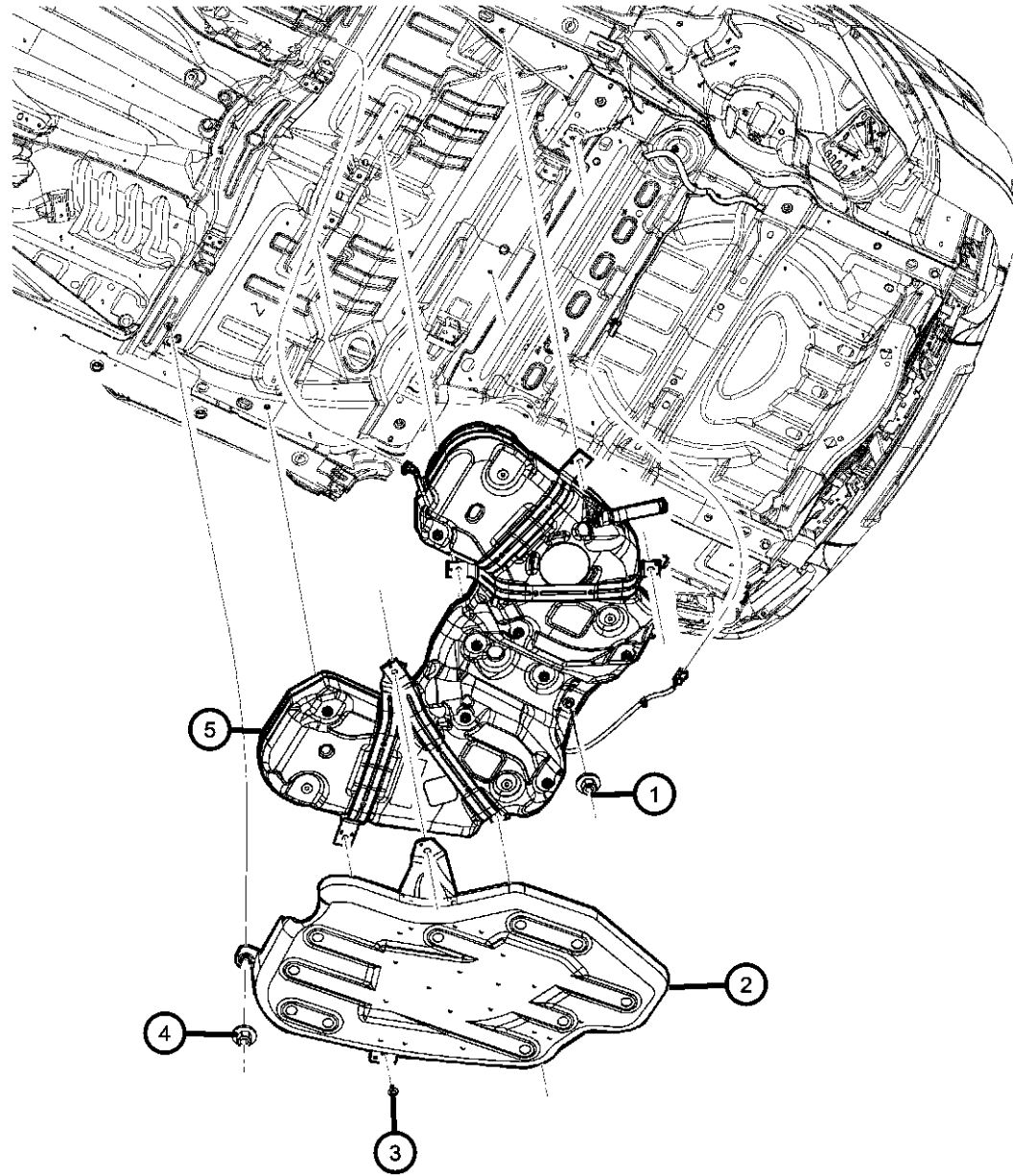
<p>014-100 Fuel Tank</p> 	<p>014-1000 Accelerator Pedal</p> 	<p>014-200 Fuel Tank Filler Tube</p> 	<p>014-300 Fuel Lines</p> 
<p>014-400 Fuel Rail and Injectors</p> 	<p>014-500 Fuel Pump and Sending Unit</p> 	<p>014-600 Throttle Body</p> 	<p>014-800 Air Cleaner</p> 
<p>014-900 Air Inlet Components</p> 			

Group - 14 Fuel

Illustration Title	Group-Fig. No.
Fuel Tank	
Fuel Tank	Fig. 14 - 105
Fuel Tank Filler Tube	
Fuel Filler Tube	Fig. 14 - 205
Fuel Lines	
Fuel Lines	Fig. 14 - 305
Fuel Rail and Injectors	
Fuel Rail 3.6L [ERB]	Fig. 14 - 405
Fuel Rail 5.7L [EZH]	Fig. 14 - 410
Fuel Pump and Sending Unit	
Fuel Sending Unit	Fig. 14 - 505
Throttle Body	
Throttle Body	Fig. 14 - 605
Air Cleaner	
Air Cleaner	Fig. 14 - 805
Air Inlet Components	
Air Inlet	Fig. 14 - 905
Accelerator Pedal	
Accelerator Pedal	Fig. 14 - 1005

Fuel Tank
Figure 14-105

ITEM	PART NUMBER	QTY	LINE	SERIES	BODY	ENGINE	TRANS	TRIM	DESCRIPTION
1		4							NUT AND WASHER, Hex Lock Nut-Coned Washer, M6 x 1.00, M6 x 1.00, (NOT SERVICED)
2									SKID PLATE, Fuel Tank
	68061321AB	1	J, T, U		74				Left
	68061320AB	1	J, T, U		74				Right
3	06508724AA	6	J, T, U		74				SCREW AND WASHER, Hex Head, M10x1.5x40, Fuel Tank to Crossmember, Mounting
4	06101831	2	J, T, U		74				NUT, Hex Flange, M8x1.25, Skid Plate to Crossmember, Mounting
5									TANK, Fuel
	04578784AG	1	J, T, U		74	ERB, EZH			
	04578785AG	1	J, T, U		74	EX0			



GRAND CHEROKEE (WK)

SERIES LINE
H = HIGHLINE T = JEEP - 2WD
P = PREMIUM J = JEEP - 4WD
S = SPORT U = JEEP - 4WD (RHD)

BODY
74 = SPORT UTILITY 4-DR
TYPE #4

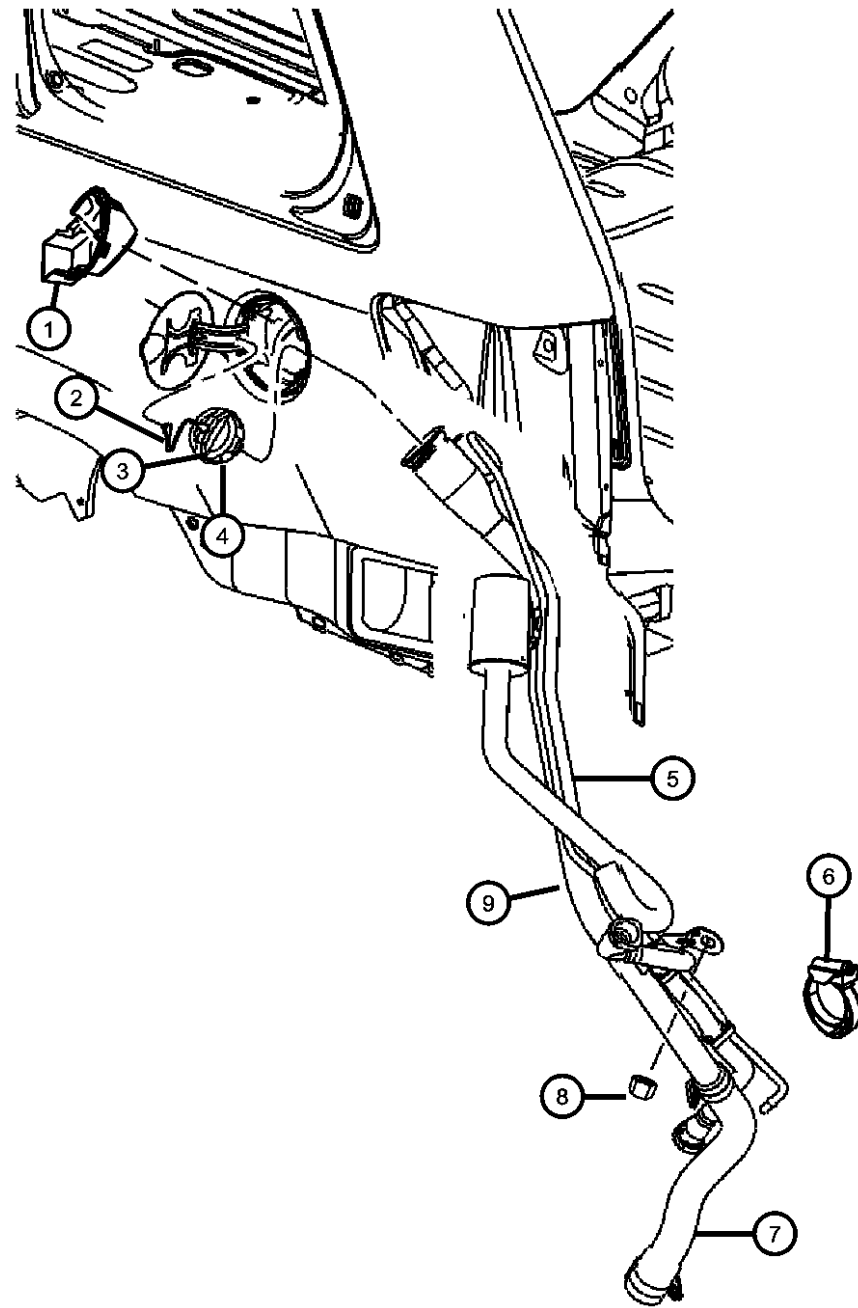
ENGINE
ERB = 3.0L V6 Engine
EZH = 5.7L V8 HEMI MDS
VVT Engine
EXF = 3.0L V6 Turbo Diesel
Engine

TRANSMISSION
DGQ = 5-Spd Automatic 545RFE
Transmission
DGJ = 5-Speed Auto W5A580
Transmission

AR = use ase required - = Non illustrated part

2011 WK

Fuel Filler Tube
Figure 14-205



ITEM	PART NUMBER	QTY	LINE	SERIES	BODY	ENGINE	TRANS	TRIM	DESCRIPTION
1	68045460AA	1	J, T, U		74	ERB, EX0, EZ0			HOUSING, Fuel Filler
2									TETHER, Fuel Filler Cap
	04682676	1	J, T, U		74	ER0, EZ0			
		1	J, T, U		74	EX0			
3									CAP, Fuel Filler
	05278632AG	1	J, T, U		74	ER0, EZ0			
	52124595AA	1	J, T, U		74				[XKN]
	52129371AB	1	J, T, U		74	EX0			
4	05278655AB	1							CAP, Fuel Tank Locking, Not Ignition Key
5									HOSE, Fuel Filler Vent
	68064722AB	1	J, T, U		74	ER0, EZ0			
	68064723AB	1	J, T, U		74	EX0			
6									CLAMP, Hose
	06504998AA	1	J, T, U		74	EX0			Hose to Tank
		1	J, T, U		74	ERB, EZH			Hose to Tank
7									HOSE, Fuel Filler
	68127971AA	1	J, T, U		74	ER0, EZ0			Fuel Filler Tube to Fuel Tank
	68127984AA	1	J, T, U		74	EX0			Fuel Filler Tube to Fuel Tank
8	06104725AA	1	J, T, U		74				NUT AND WASHER, Hex, M6X1.00, Fuel Filler Tube to Left Wheel House, Mounting
9									TUBE, Fuel Filler
	52124612AE	1	J, T, U		74	EX0			
	52124611AE	1	J, T, U		74	ER0, EZ0			

GRAND CHEROKEE (WK)

SERIES LINE
H = HIGHLINE T = JEEP - 2WD
P = PREMIUM J = JEEP - 4WD
S = SPORT U = JEEP - 4WD (RHD)

BODY
74 = SPORT UTILITY 4-DR TYPE #4

ENGINE
ERB = 3.0L Mid V6 Engine
EZH = 5.7L V8 HEMI MDS VVT Engine
EXF = 3.0L V6 Turbo Diesel Engine

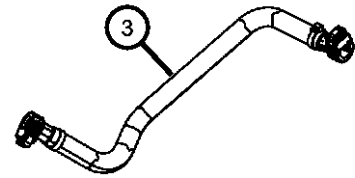
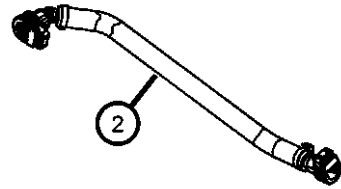
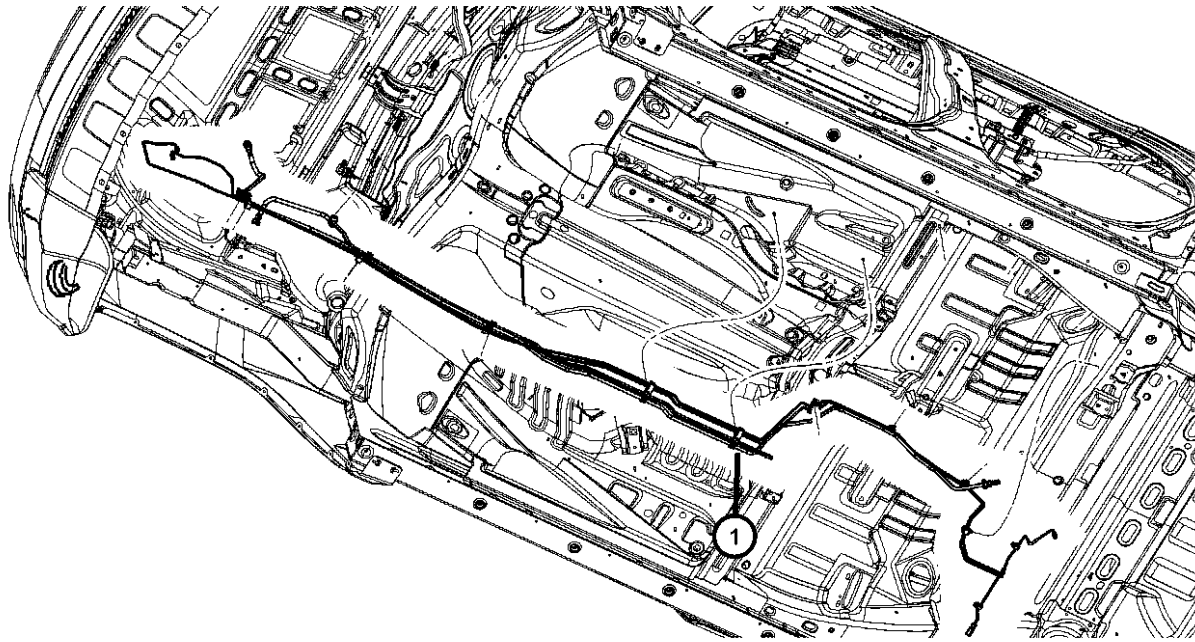
TRANSMISSION
DGQ = 5-Spd Automatic 545RFE Transmission
DGJ = 5-Speed Auto W5A580 Transmission

AR = use ase required - = Non illustrated part

2011 WK

Fuel Lines
Figure 14-305

ITEM	PART NUMBER	QTY	LINE	SERIES	BODY	ENGINE	TRANS	TRIM	DESCRIPTION
1	52124613AE	1	J, T, U		74	ER0, EZ0			BUNDLE, Fuel Line Chassis
	52124614AE	1	J, T, U		74	EXF			Chassis
2	05147252AA	1	J, T, U		74	EZ0			JUMPER, Fuel Supply, Engine
3	04726025AD	1	J, T, U		74	ER0			JUMPER, Fuel Supply, Engine



GRAND CHEROKEE (WK)

SERIES LINE
H = HIGHLINE T = JEEP - 2WD
P = PREMIUM J = JEEP - 4WD
S = SPORT U = JEEP - 4WD (RHD)

BODY
74 = SPORT UTILITY 4-DR
TYPE #4

ENGINE
ERB = 3.0L Mid V6 Engine
EZH = 5.7L V8 HEMI MDS
VVT Engine
EXF = 3.0L V6 Turbo Diesel
Engine

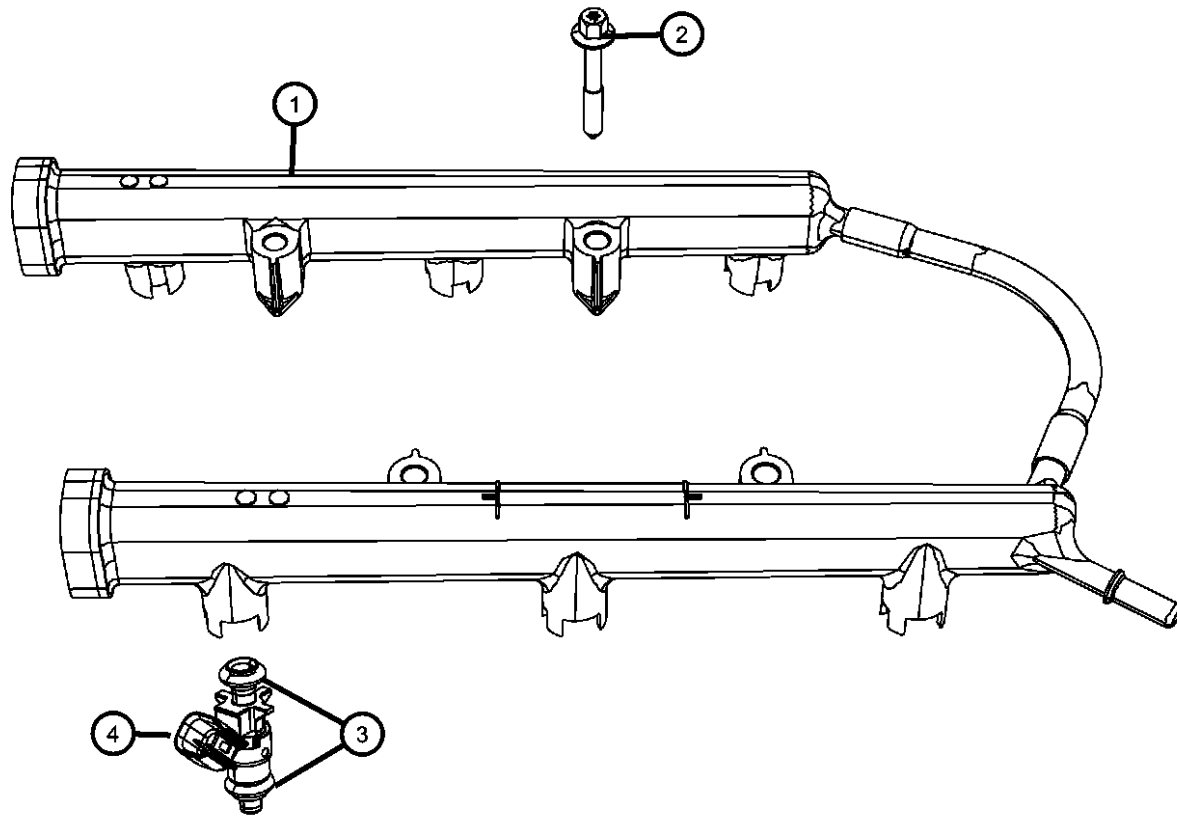
TRANSMISSION
DGQ = 5-Spd Automatic 545RFE
Transmission
DGJ = 5-Speed Auto W5A580
Transmission

AR = use ase required - = Non illustrated part

2011 WK

Fuel Rail 3.6L [ERB]
Figure 14-405

ITEM	PART NUMBER	QTY	LINE	SERIES	BODY	ENGINE	TRANS	TRIM	DESCRIPTION
1	53034198AC	1	J, T, U		74	ERB			RAIL, Fuel
2	06509356AA	4	J, T, U		74	ERB			BOLT, Fuel Rail to Intake Manifold, Mounting
3	68080831AA	6	J, T, U		74	ERB			O RING KIT, Fuel Injector
4	05184085AC	6	J, T, U		74	ERB			INJECTOR, Fuel



GRAND CHEROKEE (WK)

SERIES LINE
H = HIGHLINE T = JEEP - 2WD
P = PREMIUM J = JEEP - 4WD
S = SPORT U = JEEP - 4WD (RHD)

BODY
74 = SPORT UTILITY 4-DR
TYPE #4

ENGINE
ERB = 3.6L Mid V6 Engine
EZH = 5.7L V8 HEMI MDS
VVT Engine
EXF = 3.0L V6 Turbo Diesel
Engine

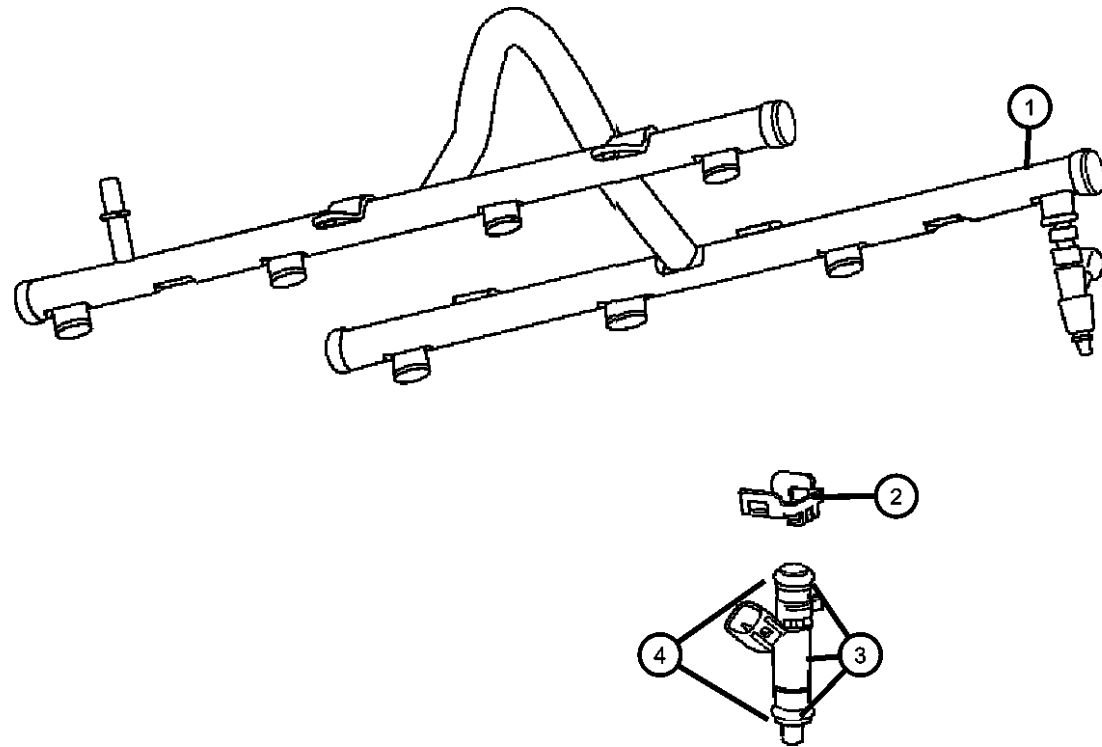
TRANSMISSION
DGQ = 5-Spd Automatic 545RFE
Transmission
DGJ = 5-Speed Auto W5A580
Transmission

AR = use ase required - = Non illustrated part

2011 WK

Fuel Rail 5.7L [EZH]
Figure 14-410

ITEM	PART NUMBER	QTY	LINE	SERIES	BODY	ENGINE	TRANS	TRIM	DESCRIPTION
1	53013888AC	1	J, T, U		74	EZH			RAIL, Fuel
2	53032905AA	8	J, T, U		74	EZH			CLIP, Fuel Injector
3	05037479AA	8	J, T, U		74	EZH			INJECTOR, Fuel
4	04897125AA	8	J, T, U		74	EZH			O RING KIT, Fuel Injector



GRAND CHEROKEE (WK)

SERIES LINE
H = HIGHLINE T = JEEP - 2WD
P = PREMIUM J = JEEP - 4WD
S = SPORT U = JEEP - 4WD (RHD)

BODY
74 = SPORT UTILITY 4-DR
TYPE #4

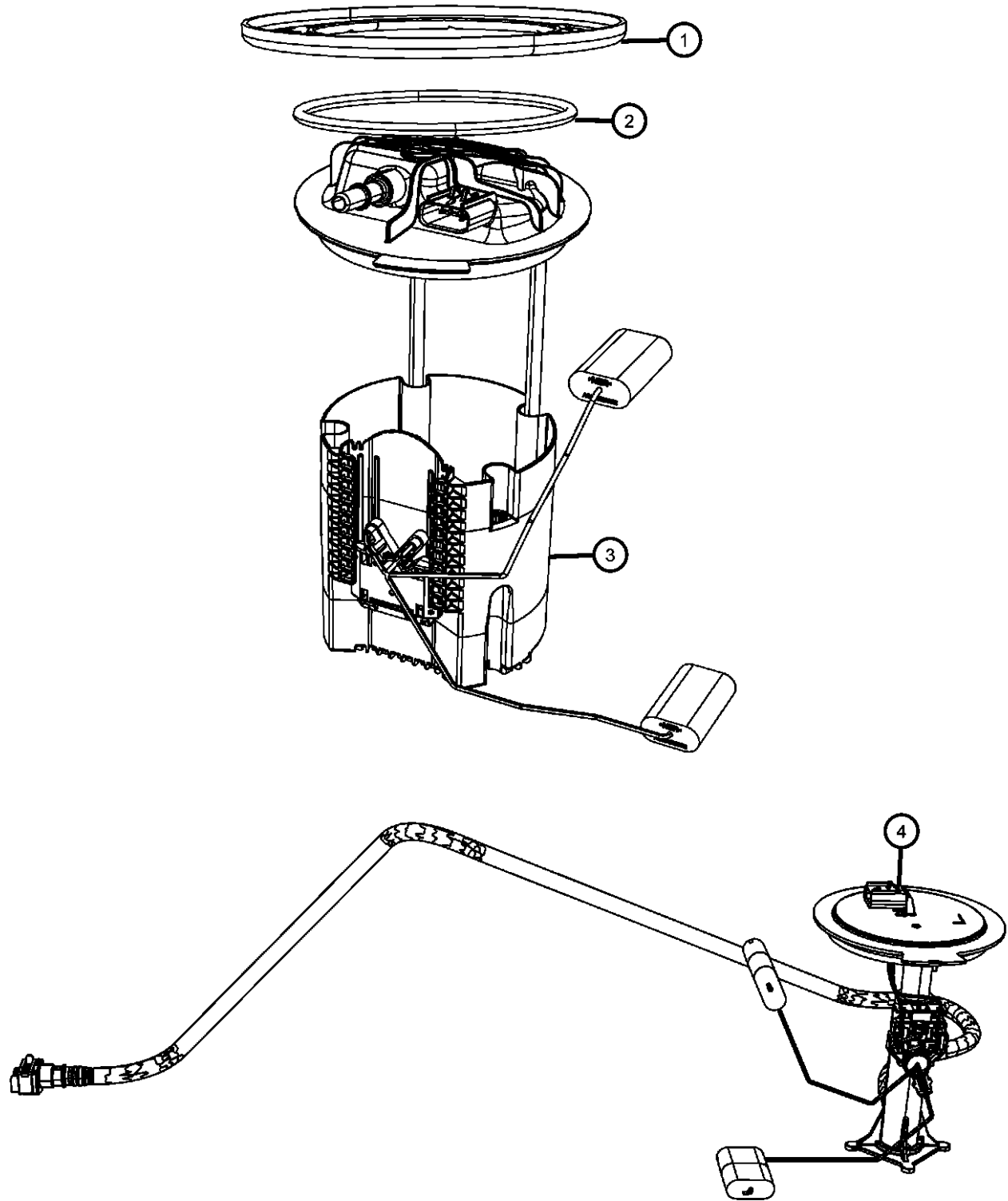
ENGINE
ERB = 3.XL Mid V6 Engine
EZH = 5.7L V8 HEMI MDS
VVT Engine
EXF = 3.0L V6 Turbo Diesel
Engine

TRANSMISSION
DGQ = 5-Spd Automatic 545RFE
Transmission
DGJ = 5-Speed Auto W5A580
Transmission

AR = use ase required - = Non illustrated part

2011 WK

Fuel Sending Unit
Figure 14-505



ITEM	PART NUMBER	QTY	LINE	SERIES	BODY	ENGINE	TRANS	TRIM	DESCRIPTION
1									RING, Lock, Fuel Module
	68061579AA	2	J, T, U		74	ERB, EZH			
		2	J, T, U		74	EX0			
2									O RING, Fuel Pump and Level Unit
	55366298AA	2	J, T, U		74	ERB, EZH			
		2	J, T, U		74	EX0			
3									MODULE PACKAGE, Fuel Pump/Level Unit, This Kit Contains fuel Module assy 0-Ring Fuel Pump and Level Unit
	05145585AA	1	J, T, U		74	ERB, EZH			[NF4], [XKN], Primary
	05145589AA	1	J, T, U		74	EX0			[NF4], Primary
	05145583AA	1	J, T, U		74	ER0, EZ0			[NF4], Primary
4									MODULE KIT, Auxiliary Fuel Pump
	05145586AA	1	J, T, U		74	ER0, EZ0			Secondary
		1	J, T, U		74	EX0			Secondary

GRAND CHEROKEE (WK)

SERIES LINE
H = HIGHLINE T = JEEP - 2WD
P = PREMIUM J = JEEP - 4WD
S = SPORT U = JEEP - 4WD (RHD)

BODY
74 = SPORT UTILITY 4-DR
TYPE #4

ENGINE
ERB = 3.XL Mid V6 Engine
EZH = 5.7L V8 HEMI MDS
VVT Engine
EXF = 3.0L V6 Turbo Diesel
Engine

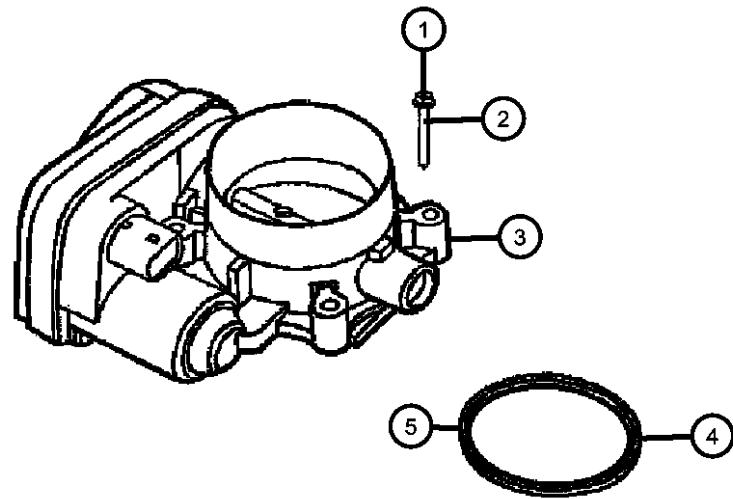
TRANSMISSION
DGQ = 5-Spd Automatic 545RFE
Transmission
DGJ = 5-Speed Auto W5A580
Transmission

AR = use ase required - = Non illustrated part

2011 WK

**Throttle Body
Figure 14-605**

ITEM	PART NUMBER	QTY	LINE	SERIES	BODY	ENGINE	TRANS	TRIM	DESCRIPTION
1	06509356AA	4	J, T, U		74	ERB			BOLT, Throttle Body to Intake Manifold, Mounting
2	06509302AA	4	J, T, U		74	EZH			BOLT, Hex Flange Head, M5.74X1.81X43.00, Actuator to Intake Manifold, Mounting
3	04591847AC	1	J, T, U		74	EZH			THROTTLE BODY
	05184349AB	1	J, T, U		74	ERB			
4	53032763AA	1	J, T, U		74	ERB			GASKET, Throttle Body
5	53022320AB	1	J, T, U		74	EZH			SEAL, Throttle Body to Intake



GRAND CHEROKEE (WK)

SERIES LINE
H = HIGHLINE T = JEEP - 2WD
P = PREMIUM J = JEEP - 4WD
S = SPORT U = JEEP - 4WD (RHD)

BODY
74 = SPORT UTILITY 4-DR
TYPE #4

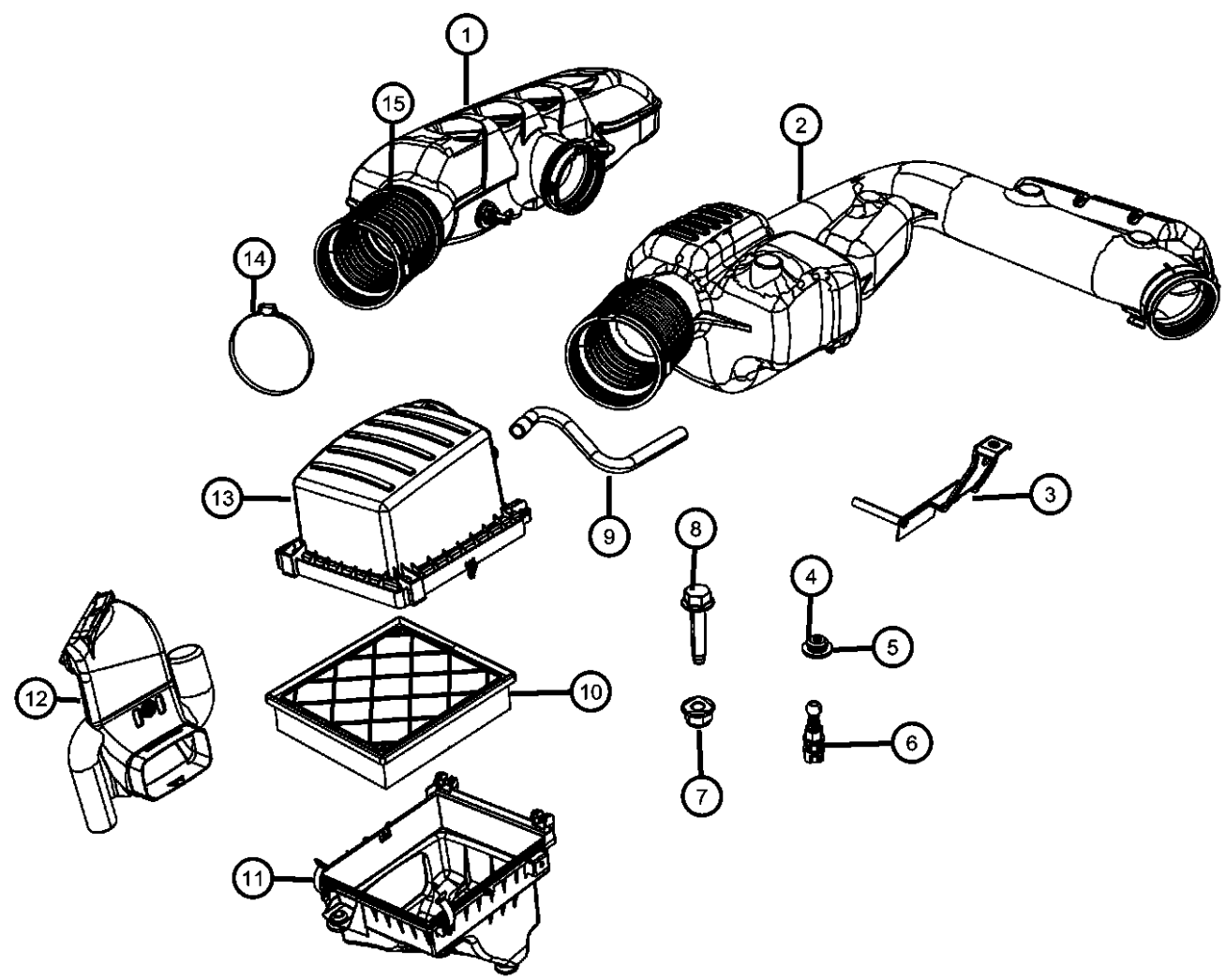
ENGINE
ERB = 3.XL Mid V6 Engine
EZH = 5.7L V8 HEMI MDS
VVT Engine
EXF = 3.0L V6 Turbo Diesel
Engine

TRANSMISSION
DGQ = 5-Spd Automatic 545RFE
Transmission
DGJ = 5-Speed Auto W5A580
Transmission

AR = use ase required - = Non illustrated part

2011 WK

Air Cleaner
Figure 14-805



ITEM	PART NUMBER	QTY	LINE	SERIES	BODY	ENGINE	TRANS	TRIM	DESCRIPTION
1	68022204AC	1	J, T, U		74	EZH			RESONATOR, Air Cleaner
2	68022170AB	1	J, T, U		74	ERB			HOSE, Clean Air
3									BRACKET, Resonator
	04593959AB	1	J, T, U		74	ERB			
	53013774AB	1	J, T, U		74	EZH			
4	53032732AA	1	J, T, U		74	ERB			GROMMET, Air Cleaner Bracket, Resonator Bracket
5	04268295	3	J, T, U		74	ERB, EZH			GROMMET, Air Cleaner Bracket
6	04891847AA	1	J, T, U		74	ERB			BALL STUD, Clean Air Hose Attach, Mounting
7	06104717AA	1	J, T, U		74	EZH			NUT, Hex Flange Lock, M10x1.50, Resonator Bracket to Engine, Mounting
8	06105039AA	1	J, T, U		74	EZH			BOLT, Hex Flange Head, M6X1.00X30.00, Resonator to Bracket, Mounting
9	68023283AA	1	J, T, U		74	EZH			HOSE, Make Up Air
10	04861756AA	1	J, T, U		74	ERB, EZH			FILTER, Air
11	68084276AA	1	J, T, U		74	ERB, EZH			BODY, Air Cleaner
12	68022213AB	1	J, T, U		74	ERB, EZH			DUCT, Air Cleaner
13	68084277AA	1	J, T, U		74	ERB, EZH			COVER, Air Cleaner
14									CLAMP
	06104790AA	1	J, T, U		74	EZH			Clean Air Hose to Throttle Body
		1	J, T, U		74	ERB			Clean Air Hose to Throttle Body
15									CLAMP, Hose
	06105177AA	1	J, T, U		74	ERB			Clean Air Duct to Resonator
		1	J, T, U		74	EZH			Clean Air Duct to Resonator

GRAND CHEROKEE (WK)

SERIES LINE
H = HIGHLINE T = JEEP - 2WD
P = PREMIUM J = JEEP - 4WD
S = SPORT U = JEEP - 4WD (RHD)

BODY
74 = SPORT UTILITY 4-DR TYPE #4

ENGINE
ERB = 3.XL Mid V6 Engine
EZH = 5.7L V8 HEMI MDS VVT Engine
EXF = 3.0L V6 Turbo Diesel Engine

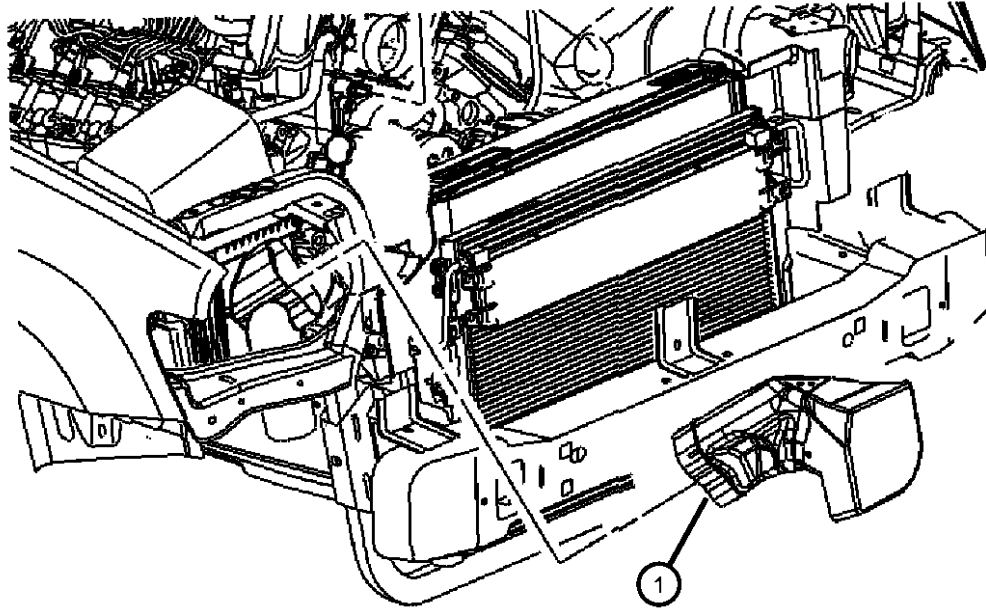
TRANSMISSION
DGQ = 5-Spd Automatic 545RFE Transmission
DGJ = 5-Speed Auto W5A580 Transmission

AR = use ase required - = Non illustrated part

2011 WK

**Air Inlet
Figure 14-905**

ITEM	PART NUMBER	QTY	LINE	SERIES	BODY	ENGINE	TRANS	TRIM	DESCRIPTION
1	68022213AB	1	J, T, U		74	ERB, EZH			DUCT, Air Cleaner



GRAND CHEROKEE (WK)

SERIES LINE
H = HIGHLINE T = JEEP - 2WD
P = PREMIUM J = JEEP - 4WD
S = SPORT U = JEEP - 4WD (RHD)

BODY
74 = SPORT UTILITY 4-DR
TYPE #4

ENGINE
ERB = 3.0L V6 Engine
EZH = 5.7L V8 HEMI MDS
VVT Engine
EXF = 3.0L V6 Turbo Diesel
Engine

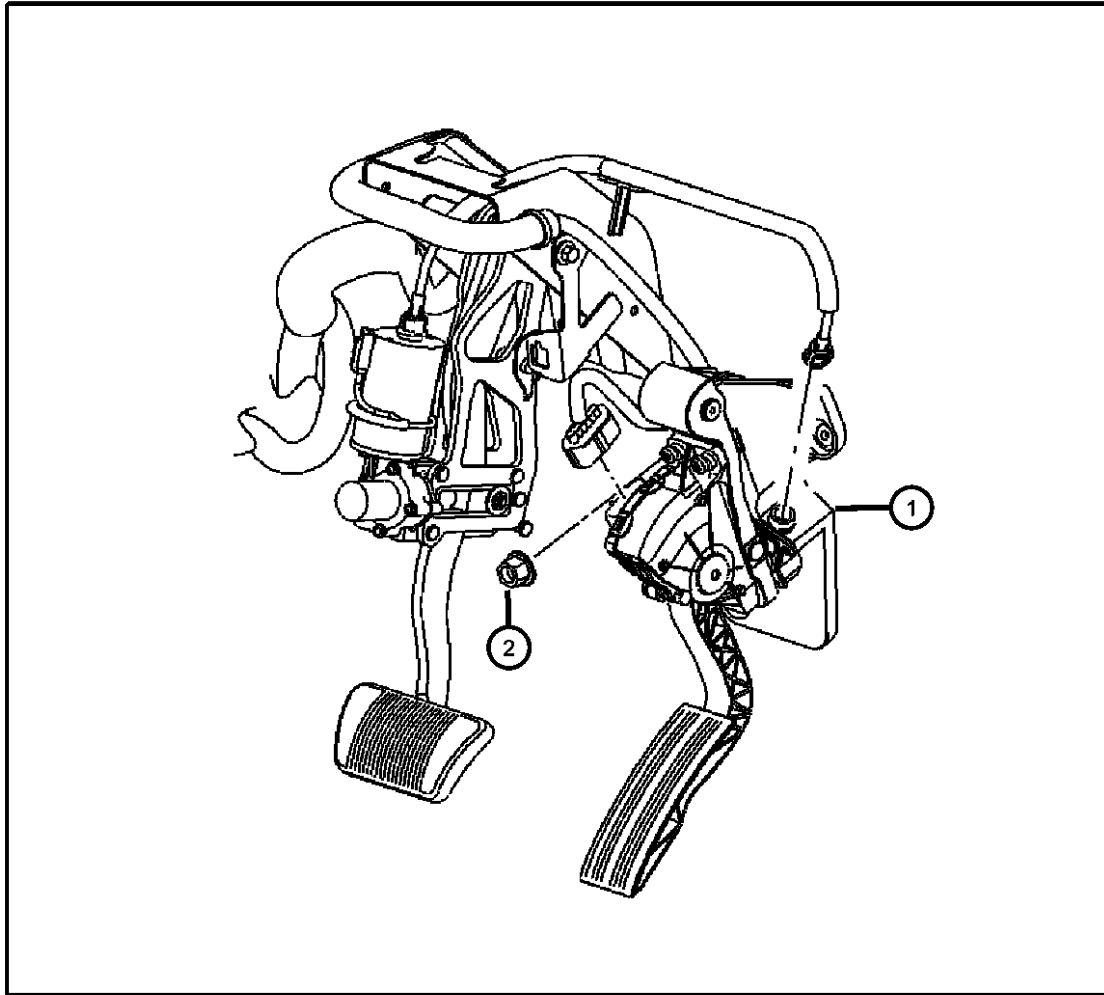
TRANSMISSION
DGQ = 5-Spd Automatic 545RFE
Transmission
DGJ = 5-Speed Auto W5A580
Transmission

AR = use ase required - = Non illustrated part

2011 WK

**Accelerator Pedal
Figure 14-1005**

ITEM	PART NUMBER	QTY	LINE	SERIES	BODY	ENGINE	TRANS	TRIM	DESCRIPTION
1									PEDAL, Accelerator
	52124785AD	1	J, T, U		74	ER0, EZ0			
	68021971AD	1	J, T, U		74	EX0			
2	06502726	3	J, T, U		74				NUT, Hex Flange, M6X1.0, Accelerator Pedal to Dash Panel, Mounting



GRAND CHEROKEE (WK)

SERIES LINE
H = HIGHLINE T = JEEP - 2WD
P = PREMIUM J = JEEP - 4WD
S = SPORT U = JEEP - 4WD (RHD)

BODY
74 = SPORT UTILITY 4-DR
TYPE #4

ENGINE
ERB = 3.XL Mid V6 Engine
EZH = 5.7L V8 HEMI MDS
VVT Engine
EXF = 3.0L V6 Turbo Diesel
Engine

TRANSMISSION
DGQ = 5-Spd Automatic 545RFE
Transmission
DGJ = 5-Speed Auto W5A580
Transmission

AR = use ase required - = Non illustrated part

2011 WK

Group - 17

Rear Suspension

Group - 17 Rear Suspension

Illustration Title

Group-Fig. No.

Rear Suspension and Cradle

Suspension, Rear Fig. 17 - 110

Suspension, Fig. 17 - 115

Cradle,Rear Suspension..... Fig. 17 - 120

Rear Stabilizer Bar

Stabilizer Bar,Rear Fig. 17 - 210

017-100 Rear Suspension and Cradle	017-200 Rear Stabilizer Bar		
--	---------------------------------------	--	--

Suspension, Rear
Figure 17-110

ITEM	PART NUMBER	QTY	LINE	SERIES	BODY	ENGINE	TRANS	TRIM	DESCRIPTION
1									ARM, Lower Control, Rear
	52124810AE	1	J, T, U		74				Right
	52124811AE	1	J, T, U		74				Left
2	52124830AC	2	J, T, U		74				LINK ASSEMBLY, Tension
3	52124840AB	2	J, T, U		74				LINK ASSEMBLY, Toe
4									LINK ASSEMBLY, Camber
	52124821AC	1	J, T, U		74				Left
	52124820AC	1	J, T, U		74				Right
5									BOLT, Hex Flange Head, M14X1.50X100.00
	06104266AA	2	J, T, U		74				Rear Lower Control Arm Rear To Cradle
		2	J, T, U		74				Rear Lower Control Arm Front To Cradle
6	68077935AA	2	J, T, U		74				CAP, Bolt Cover
7									NUT, Hex Flange Lock, M12X1.50
	06104718AA	2	J, T, U		74				Toe Link To Rear Knuckle
		2	J, T, U		74				Tension Link To Rear Knuckle
		2	J, T, U		74				Tension Link To Rear Cradle
		2	J, T, U		74				Camber Link To Knuckle
8									NUT, Hex Flange
	06508487AA	2	J, T, U		74				Camber Link To Cradle
		2	J, T, U		74				Toe Link To Rear Cradle
-9	06506587AA	2	J, T, U		74				NUT AND WASHER, Hex, Knuckle Ball Joint To Lower Control Arm
10									NUT, Hex Flange Lock, M14x1.50
	06104719AA	2	J, T, U		74				Rear Lower Control Arm Rear To Cradle
		2	J, T, U		74				Rear Lower Control Arm Front To Cradle
11	06104240AA	2	J, T, U		74				BOLT, Hex Flange Head, M12X1.5X60.00
12									BOLT AND WASHER, Hex Head, M12X1.50X90.0
	06509461AA	2	J, T, U		74				Tension Link To Knuckle
		2	J, T, U		74				Toe Link To Knuckle
		2	J, T, U		74				Camber Link To Knuckle
13	06509343AA	2	J, T, U		74				BOLT AND WASHER, Hex Head, M11X1.50X80.0
14	06508486AA	2	J, T, U		74				BOLT

GRAND CHEROKEE (WK)

SERIES LINE
H = HIGHLINE T = JEEP - 2WD
P = PREMIUM J = JEEP - 4WD
S = SPORT U = JEEP - 4WD (RHD)

BODY
74 = SPORT UTILITY 4-DR TYPE #4

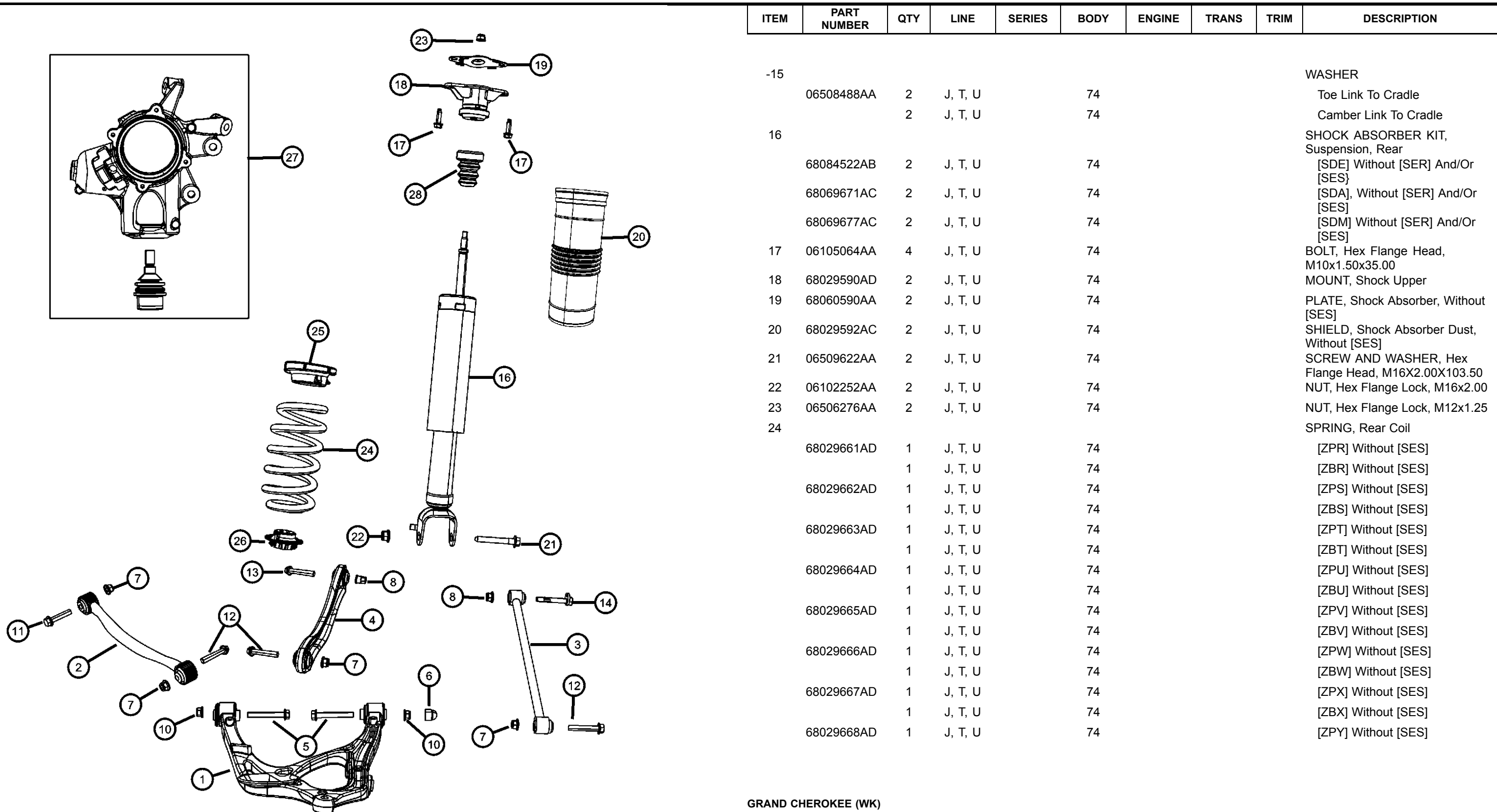
ENGINE
ERB = 3.0L Mid V6 Engine
EZH = 5.7L V8 HEMI MDS VVT Engine
EXF = 3.0L V6 Turbo Diesel Engine

TRANSMISSION
DGQ = 5-Spd Automatic 545RFE Transmission
DGJ = 5-Speed Auto W5A580 Transmission

AR = use ase required - = Non illustrated part

2011 WK

Suspension, Rear
Figure 17-110



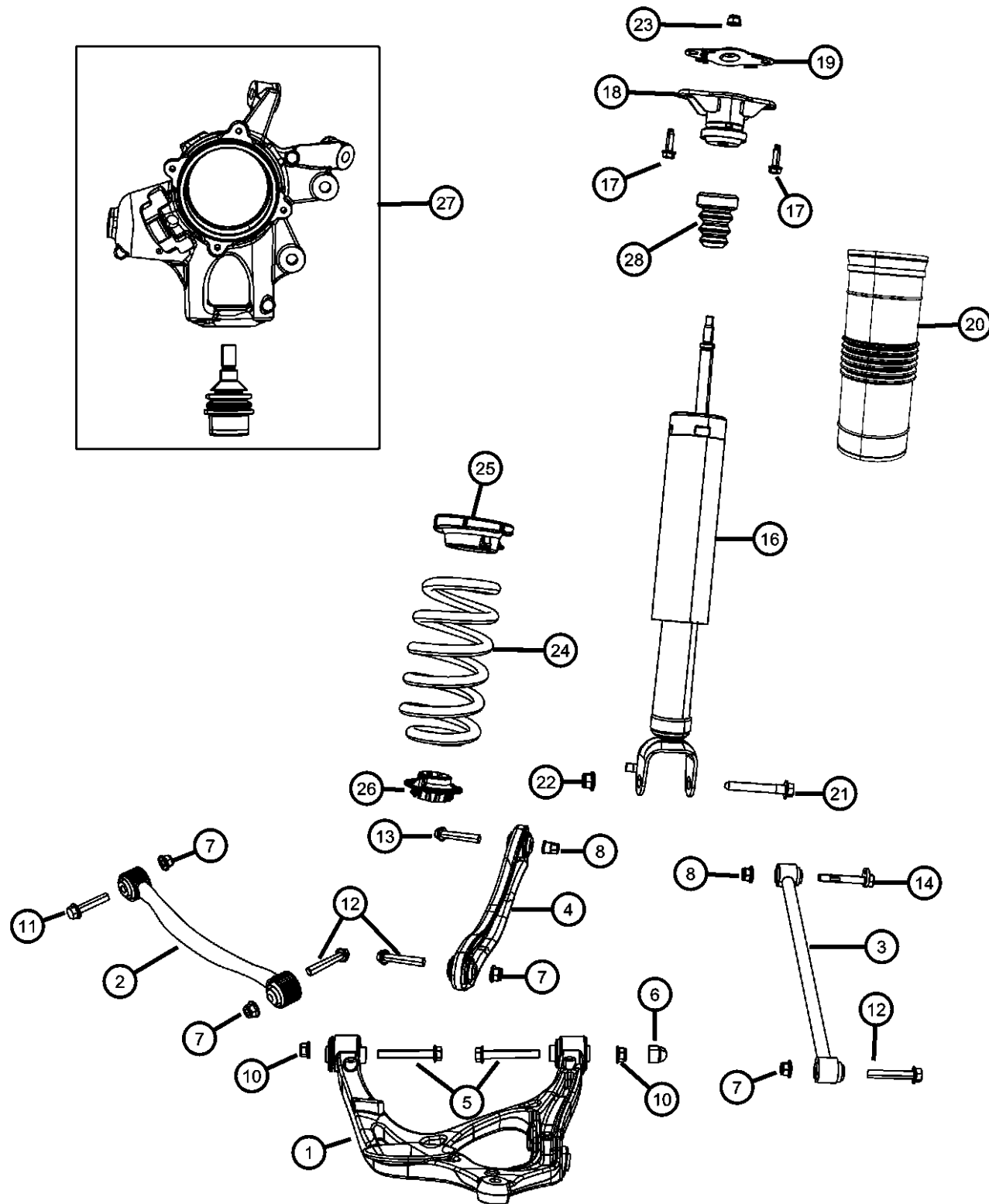
ITEM	PART NUMBER	QTY	LINE	SERIES	BODY	ENGINE	TRANS	TRIM	DESCRIPTION
-15	06508488AA	2	J, T, U		74				WASHER Toe Link To Cradle
		2	J, T, U		74				Camber Link To Cradle
16	68084522AB	2	J, T, U		74				SHOCK ABSORBER KIT, Suspension, Rear
	68069671AC	2	J, T, U		74				[SDE] Without [SER] And/Or [SES] [SDA], Without [SER] And/Or [SES]
	68069677AC	2	J, T, U		74				[SDM] Without [SER] And/Or [SES]
17	06105064AA	4	J, T, U		74				BOLT, Hex Flange Head, M10x1.50x35.00
18	68029590AD	2	J, T, U		74				MOUNT, Shock Upper
19	68060590AA	2	J, T, U		74				PLATE, Shock Absorber, Without [SES]
20	68029592AC	2	J, T, U		74				SHIELD, Shock Absorber Dust, Without [SES]
21	06509622AA	2	J, T, U		74				SCREW AND WASHER, Hex Flange Head, M16X2.00X103.50
22	06102252AA	2	J, T, U		74				NUT, Hex Flange Lock, M16x2.00
23	06506276AA	2	J, T, U		74				NUT, Hex Flange Lock, M12x1.25
24									SPRING, Rear Coil
	68029661AD	1	J, T, U		74				[ZPR] Without [SES]
		1	J, T, U		74				[ZBR] Without [SES]
	68029662AD	1	J, T, U		74				[ZPS] Without [SES]
		1	J, T, U		74				[ZBS] Without [SES]
	68029663AD	1	J, T, U		74				[ZPT] Without [SES]
		1	J, T, U		74				[ZBT] Without [SES]
	68029664AD	1	J, T, U		74				[ZPU] Without [SES]
		1	J, T, U		74				[ZBU] Without [SES]
	68029665AD	1	J, T, U		74				[ZPV] Without [SES]
		1	J, T, U		74				[ZBV] Without [SES]
	68029666AD	1	J, T, U		74				[ZPW] Without [SES]
		1	J, T, U		74				[ZBW] Without [SES]
	68029667AD	1	J, T, U		74				[ZPX] Without [SES]
		1	J, T, U		74				[ZBX] Without [SES]
	68029668AD	1	J, T, U		74				[ZPY] Without [SES]

GRAND CHEROKEE (WK)
 SERIES LINE BODY ENGINE TRANSMISSION
 H = HIGHLINE T = JEEP - 2WD 74 = SPORT UTILITY 4-DR ERB = 3.XL Mid V6 Engine DGQ = 5-Speed Automatic 545RFE
 P = PREMIUM J = JEEP - 4WD TYPE #4 EZH = 5.7L V8 HEMI MDS Transmission
 S = SPORT U = JEEP - 4WD (RHD) EXF = 3.0L V6 Turbo Diesel VVT Engine DGJ = 5-Speed Auto W5A580
 Engine Transmission

AR = use ase required - = Non illustrated part

Suspension, Rear
Figure 17-110

ITEM	PART NUMBER	QTY	LINE	SERIES	BODY	ENGINE	TRANS	TRIM	DESCRIPTION
		1	J, T, U		74				[ZBY] Without [SES]
	68029669AD	1	J, T, U		74				[ZPZ] Without [SES]
		1	J, T, U		74				[ZBZ] Without [SES]
	68029670AD	1	J, T, U		74				[ZRR] Without [SES]
		1	J, T, U		74				[ZCR] Without [SES]
	68029671AD	1	J, T, U		74				[ZRS] Without [SES]
		1	J, T, U		74				[ZCS] Without [SES]
25	68029686AB	2	J, T, U		74				ISOLATOR, Spring, [SDA] Or [SDM] Without [SER], Upper
26	68029688AD	2	J, T, U		74				ISOLATOR, Spring, Without [SER], Lower
27									KNUCKLE, Rear
	68023800AD	1	J, T, U		74				Right
	68023801AD	1	J, T, U		74				Left
28									BUMPER, Jounce
	68029521AC	2	J, T, U		74				Without [SES] And/Or [SER]
	68029591AB	2	J, T, U		74				With [SDM], [SDA]



GRAND CHEROKEE (WK)

SERIES LINE
H = HIGHLINE T = JEEP - 2WD
P = PREMIUM J = JEEP - 4WD
S = SPORT U = JEEP - 4WD (RHD)

BODY
74 = SPORT UTILITY 4-DR
TYPE #4

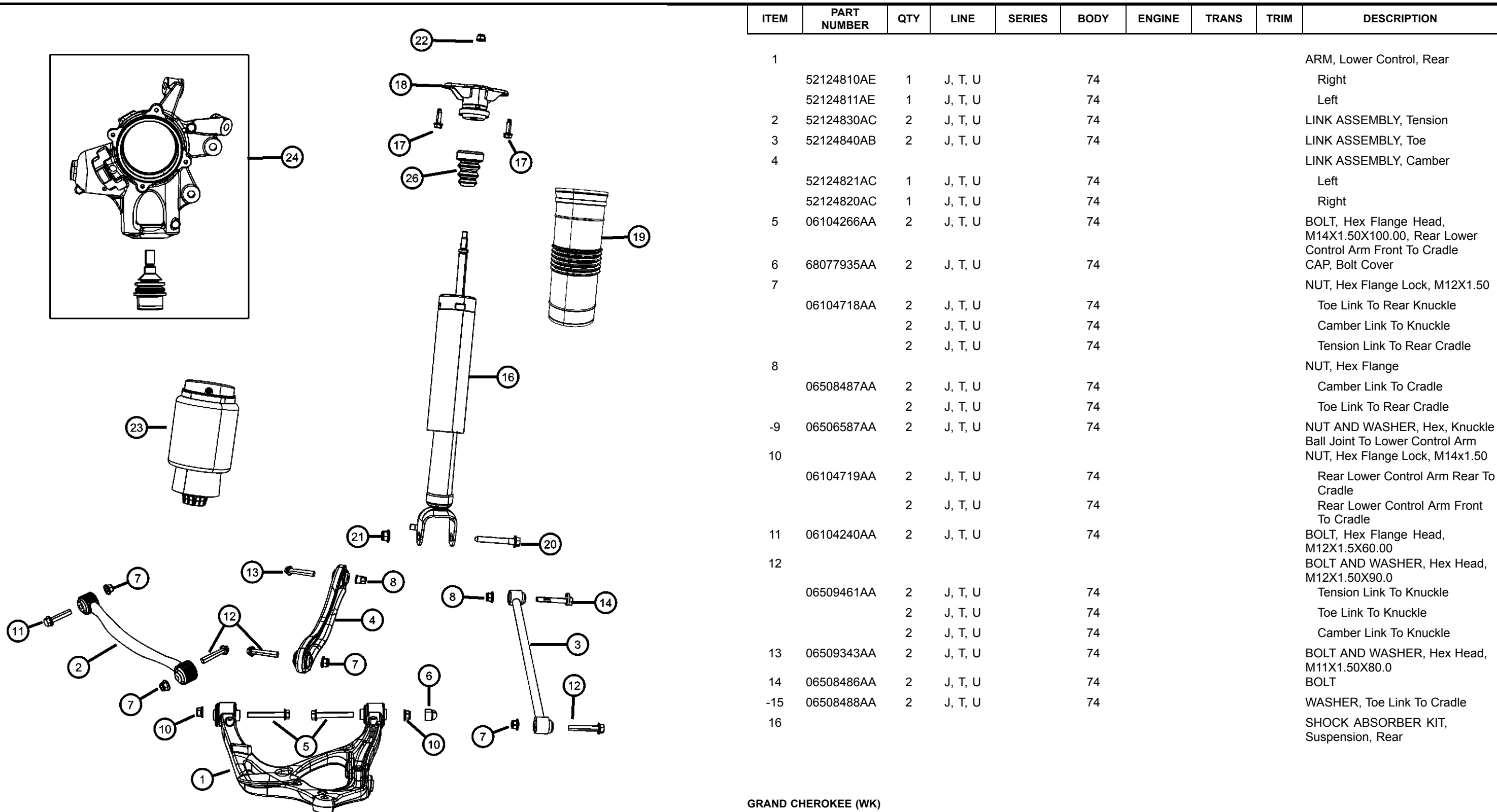
ENGINE
ERB = 3.0L Mid V6 Engine
EZH = 5.7L V8 HEMI MDS
VVT Engine
EXF = 3.0L V6 Turbo Diesel
Engine

TRANSMISSION
DGQ = 5-Spd Automatic 545RFE
Transmission
DGJ = 5-Speed Auto W5A580
Transmission

AR = use ase required - = Non illustrated part

2011 WK

Suspension,
Figure 17-115

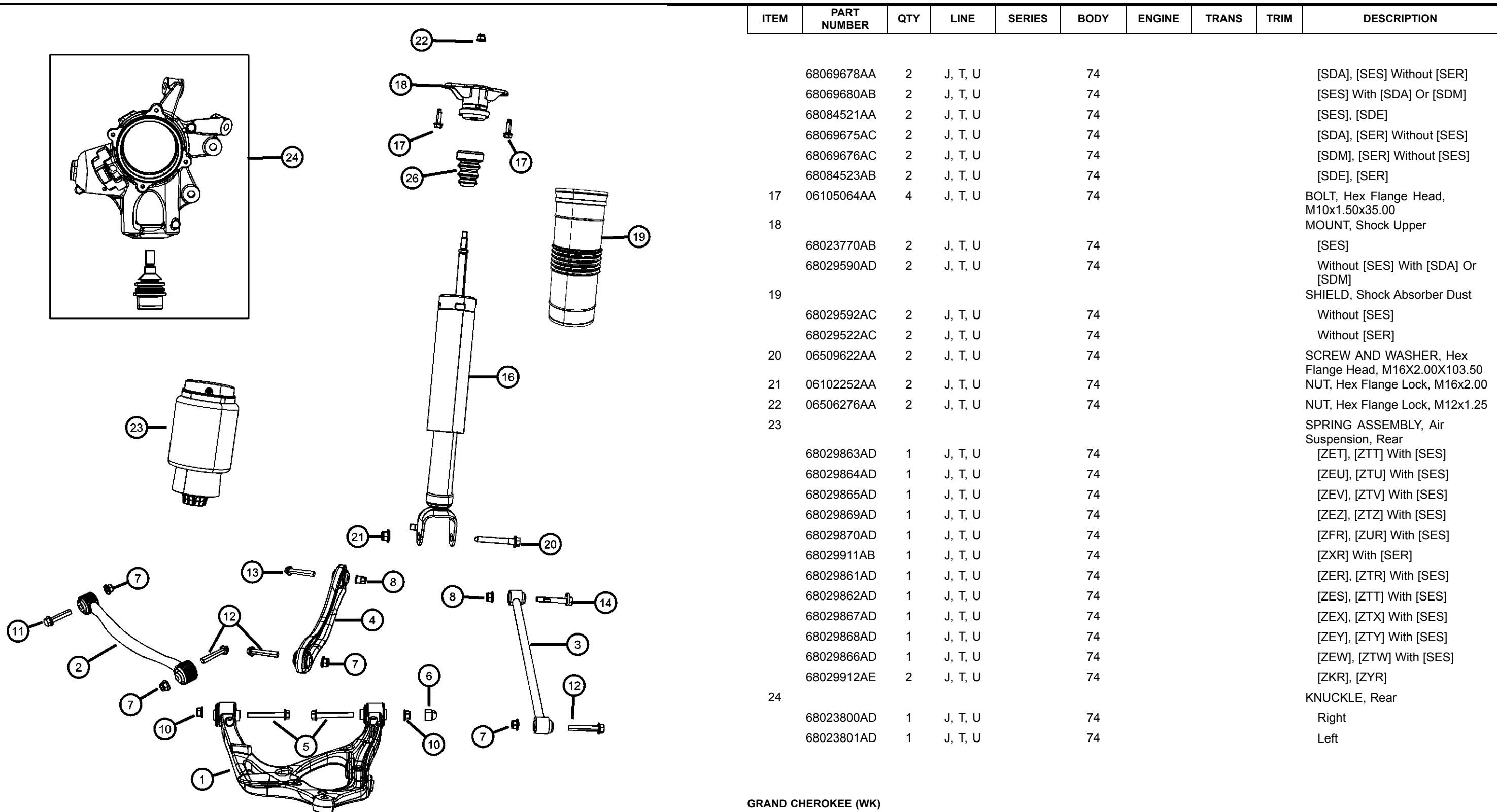


ITEM	PART NUMBER	QTY	LINE	SERIES	BODY	ENGINE	TRANS	TRIM	DESCRIPTION
1									ARM, Lower Control, Rear
	52124810AE	1	J, T, U		74				Right
	52124811AE	1	J, T, U		74				Left
2	52124830AC	2	J, T, U		74				LINK ASSEMBLY, Tension
3	52124840AB	2	J, T, U		74				LINK ASSEMBLY, Toe
4									LINK ASSEMBLY, Camber
	52124821AC	1	J, T, U		74				Left
	52124820AC	1	J, T, U		74				Right
5	06104266AA	2	J, T, U		74				BOLT, Hex Flange Head, M14X1.50X100.00, Rear Lower Control Arm Front To Cradle
6	68077935AA	2	J, T, U		74				CAP, Bolt Cover
7									NUT, Hex Flange Lock, M12X1.50
	06104718AA	2	J, T, U		74				Toe Link To Rear Knuckle
		2	J, T, U		74				Camber Link To Knuckle
		2	J, T, U		74				Tension Link To Rear Cradle
8									NUT, Hex Flange
	06508487AA	2	J, T, U		74				Camber Link To Cradle
		2	J, T, U		74				Toe Link To Rear Cradle
-9	06506587AA	2	J, T, U		74				NUT AND WASHER, Hex, Knuckle Ball Joint To Lower Control Arm
10									NUT, Hex Flange Lock, M14x1.50
	06104719AA	2	J, T, U		74				Rear Lower Control Arm Rear To Cradle
		2	J, T, U		74				Rear Lower Control Arm Front To Cradle
11	06104240AA	2	J, T, U		74				BOLT, Hex Flange Head, M12X1.5X60.00
12									BOLT AND WASHER, Hex Head, M12X1.50X90.0
	06509461AA	2	J, T, U		74				Tension Link To Knuckle
		2	J, T, U		74				Toe Link To Knuckle
		2	J, T, U		74				Camber Link To Knuckle
13	06509343AA	2	J, T, U		74				BOLT AND WASHER, Hex Head, M11X1.50X80.0
14	06508486AA	2	J, T, U		74				BOLT
-15	06508488AA	2	J, T, U		74				WASHER, Toe Link To Cradle
16									SHOCK ABSORBER KIT, Suspension, Rear

GRAND CHEROKEE (WK)
 SERIES LINE BODY ENGINE TRANSMISSION
 H = HIGHLINE T = JEEP - 2WD 74 = SPORT UTILITY 4-DR ERB = 3.XL Mid V6 Engine DGQ = 5-Speed Automatic 545RFE
 P = PREMIUM J = JEEP - 4WD TYPE #4 EZH = 5.7L V8 HEMI MDS Transmission
 S = SPORT U = JEEP - 4WD (RHD) EXF = 3.0L V6 Turbo Diesel DGJ = 5-Speed Auto W5A580 Transmission
 Engine

AR = use ase required - = Non illustrated part

Suspension,
Figure 17-115



ITEM	PART NUMBER	QTY	LINE	SERIES	BODY	ENGINE	TRANS	TRIM	DESCRIPTION
	68069678AA	2	J, T, U		74				[SDA], [SES] Without [SER]
	68069680AB	2	J, T, U		74				[SES] With [SDA] Or [SDM]
	68084521AA	2	J, T, U		74				[SES], [SDE]
	68069675AC	2	J, T, U		74				[SDA], [SER] Without [SES]
	68069676AC	2	J, T, U		74				[SDM], [SER] Without [SES]
	68084523AB	2	J, T, U		74				[SDE], [SER]
17	06105064AA	4	J, T, U		74				BOLT, Hex Flange Head, M10x1.50x35.00
18									MOUNT, Shock Upper
	68023770AB	2	J, T, U		74				[SES]
	68029590AD	2	J, T, U		74				Without [SES] With [SDA] Or [SDM]
19									SHIELD, Shock Absorber Dust
	68029592AC	2	J, T, U		74				Without [SES]
	68029522AC	2	J, T, U		74				Without [SER]
20	06509622AA	2	J, T, U		74				SCREW AND WASHER, Hex Flange Head, M16X2.00X103.50
21	06102252AA	2	J, T, U		74				NUT, Hex Flange Lock, M16x2.00
22	06506276AA	2	J, T, U		74				NUT, Hex Flange Lock, M12x1.25
23									SPRING ASSEMBLY, Air Suspension, Rear
	68029863AD	1	J, T, U		74				[ZET], [ZTT] With [SES]
	68029864AD	1	J, T, U		74				[ZEU], [ZTU] With [SES]
	68029865AD	1	J, T, U		74				[ZEV], [ZTV] With [SES]
	68029869AD	1	J, T, U		74				[ZEZ], [ZTZ] With [SES]
	68029870AD	1	J, T, U		74				[ZFR], [ZUR] With [SES]
	68029911AB	1	J, T, U		74				[ZXR] With [SER]
	68029861AD	1	J, T, U		74				[ZER], [ZTR] With [SES]
	68029862AD	1	J, T, U		74				[ZES], [ZTT] With [SES]
	68029867AD	1	J, T, U		74				[ZEX], [ZTX] With [SES]
	68029868AD	1	J, T, U		74				[ZEY], [ZTY] With [SES]
	68029866AD	1	J, T, U		74				[ZEW], [ZTW] With [SES]
	68029912AE	2	J, T, U		74				[ZKR], [ZYR]
24									KNUCKLE, Rear
	68023800AD	1	J, T, U		74				Right
	68023801AD	1	J, T, U		74				Left

GRAND CHEROKEE (WK)

SERIES LINE
H = HIGHLINE T = JEEP - 2WD
P = PREMIUM J = JEEP - 4WD
S = SPORT U = JEEP - 4WD (RHD)

BODY
74 = SPORT UTILITY 4-DR TYPE #4

ENGINE
ERB = 3.XL Mid V6 Engine
EZH = 5.7L V8 HEMI MDS VVT Engine
EXF = 3.0L V6 Turbo Diesel Engine

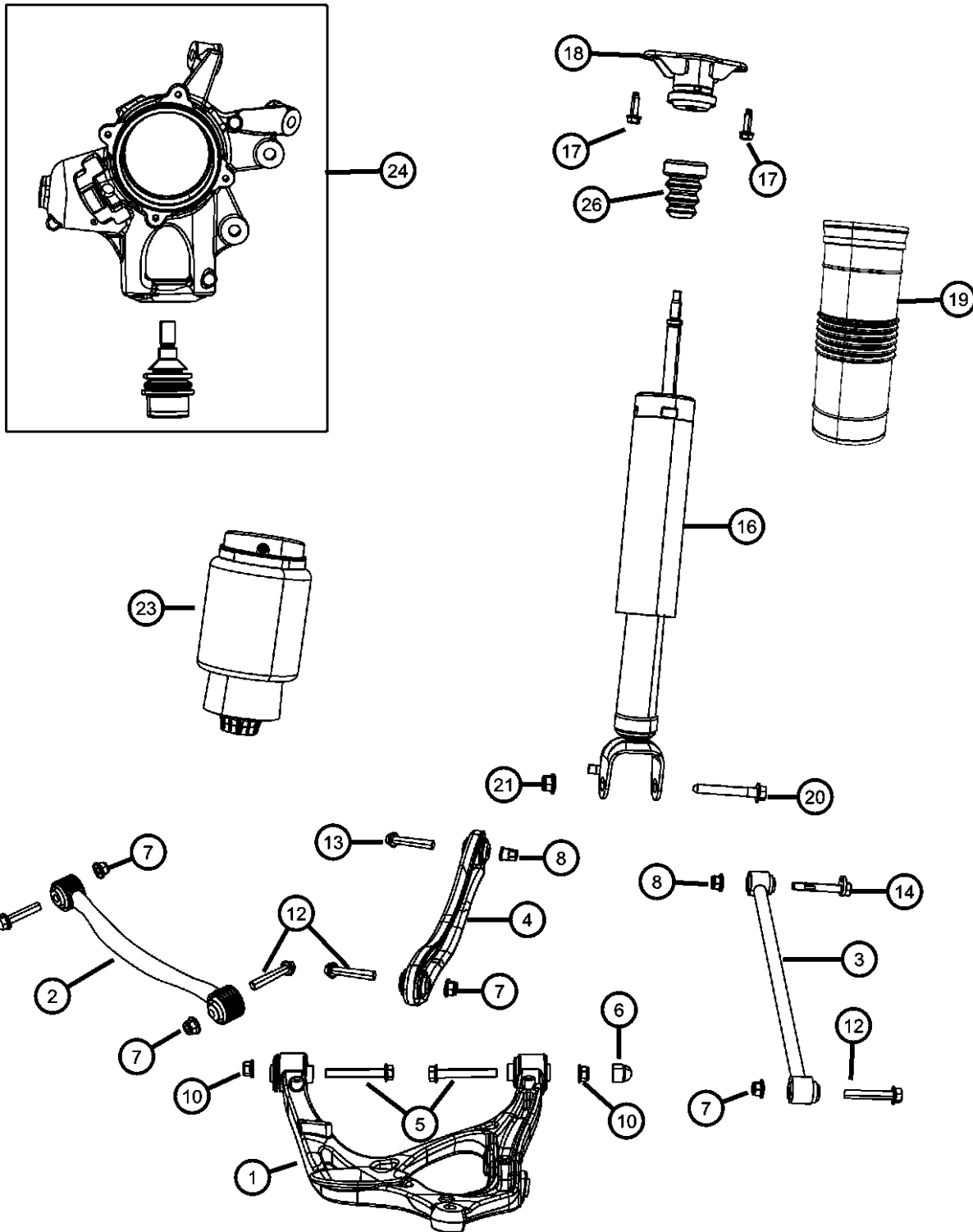
TRANSMISSION
DGQ = 5-Spd Automatic 545RFE Transmission
DGJ = 5-Speed Auto W5A580 Transmission

AR = use ase required - = Non illustrated part

2011 WK

Suspension,
Figure 17-115

ITEM	PART NUMBER	QTY	LINE	SERIES	BODY	ENGINE	TRANS	TRIM	DESCRIPTION
------	-------------	-----	------	--------	------	--------	-------	------	-------------



-25	68084495AA	AR	J, T, U		74				STRAP, Tie, With [SER]
26	68063781AB	2	J, T, U		74				BUMPER, Jounce, [SER]

GRAND CHEROKEE (WK)

SERIES LINE
H = HIGHLINE T = JEEP - 2WD
P = PREMIUM J = JEEP - 4WD
S = SPORT U = JEEP - 4WD (RHD)

BODY
74 = SPORT UTILITY 4-DR
TYPE #4

ENGINE
ERB = 3.0L Mid V6 Engine
EZH = 5.7L V8 HEMI MDS
VVT Engine
EXF = 3.0L V6 Turbo Diesel
Engine

TRANSMISSION
DGQ = 5-Spd Automatic 545RFE
Transmission
DGJ = 5-Speed Auto W5A580
Transmission

AR = use ase required - = Non illustrated part

2011 WK

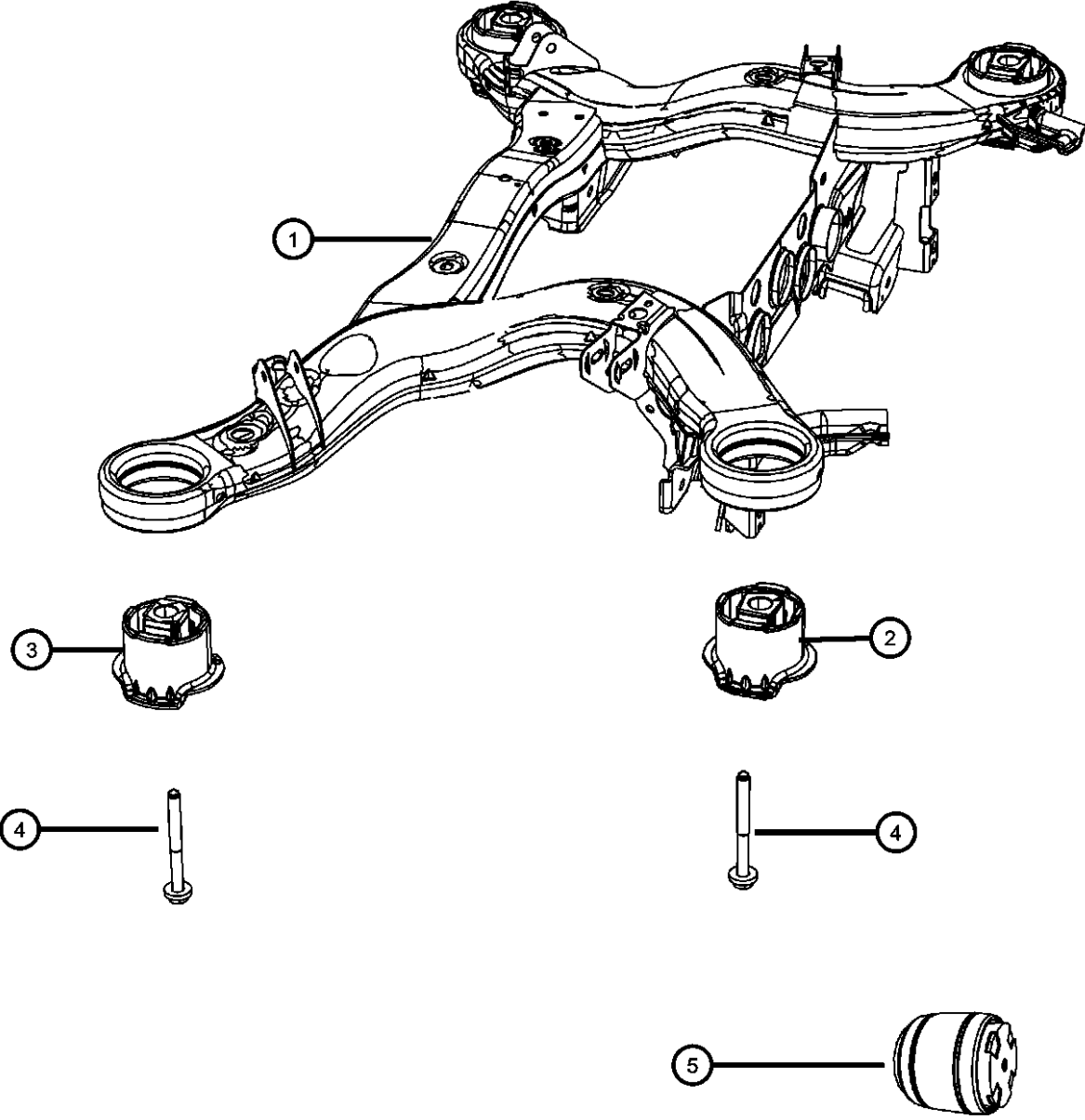
Cradle,Rear Suspension

Figure 17-120

ITEM	PART NUMBER	QTY	LINE	SERIES	BODY	ENGINE	TRANS	TRIM	DESCRIPTION
------	-------------	-----	------	--------	------	--------	-------	------	-------------

Note;Sales Codes;
[AHX]=TRAILER TOW GROUP IV

1	52124640AG	1	J, T, U		74				CRADLE, Rear Suspension
2	05180731AC	2	J, T, U		74				ISOLATOR, Cradle, Subframe Rear
3	05090030AC	2	J, T, U		74				ISOLATOR, Cradle, Subframe Front
4	06509240AA	4	J, T, U		74				BOLT AND WASHER, Hex Head, M14X1.50X147.00
5	05090017AB	2	J, T, U		74				DAMPER, Mass



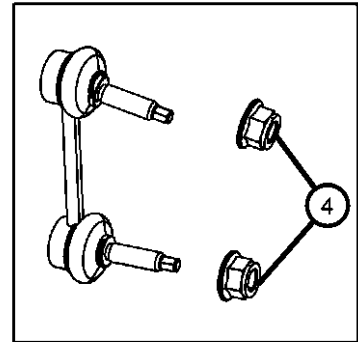
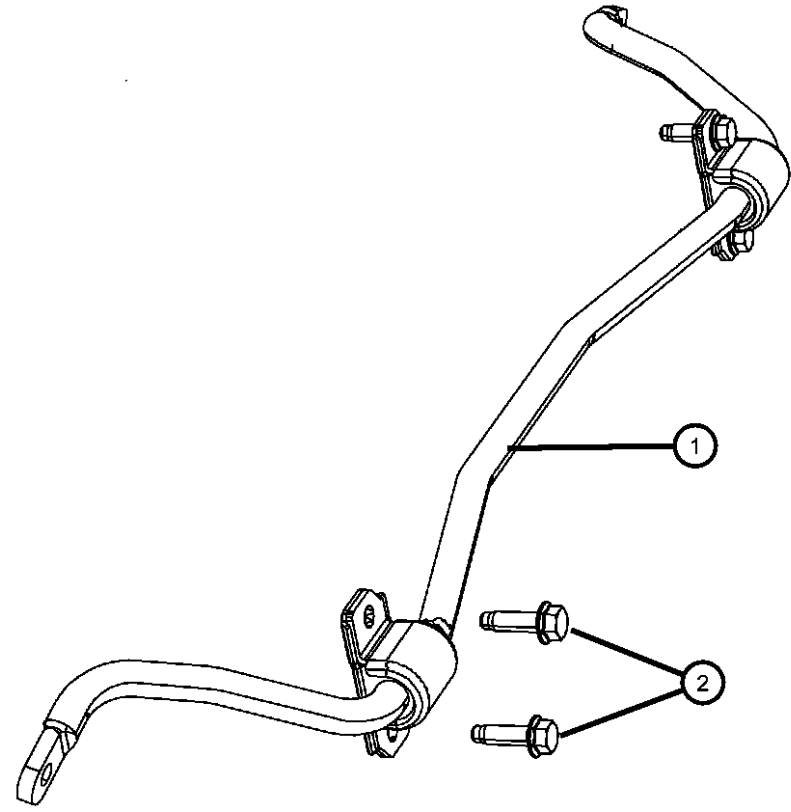
GRAND CHEROKEE (WK)

SERIES	LINE	BODY	ENGINE	TRANSMISSION
H = HIGHLINE	T = JEEP - 2WD	74 = SPORT UTILITY 4-DR	ERB = 3.XL Mid V6 Engine	DGQ = 5-Spd Automatic 545RFE
P = PREMIUM	J = JEEP - 4WD	TYPE #4	EZH = 5.7L V8 HEMI MDS	Transmission
S = SPORT	U = JEEP - 4WD (RHD)		VVT Engine	DGJ = 5-Speed Auto W5A580
			EXF = 3.0L V6 Turbo Diesel	Transmission
			Engine	

AR = use ase required - = Non illustrated part

**Stabilizer Bar,Rear
Figure 17-210**

ITEM	PART NUMBER	QTY	LINE	SERIES	BODY	ENGINE	TRANS	TRIM	DESCRIPTION
1	52124885AF	1	J, T, U		74				STABILIZER BAR, Rear Suspension
2	06105078AA	4	J, T, U		74				SCREW
3	68069682AA	2	J, T, U		74				LINK KIT, Stabilizer Bar
4	06104718AA	2	J, T, U		74				NUT, Hex Flange Lock, M12X1.50



GRAND CHEROKEE (WK)

SERIES LINE
H = HIGHLINE T = JEEP - 2WD
P = PREMIUM J = JEEP - 4WD
S = SPORT U = JEEP - 4WD (RHD)

BODY
74 = SPORT UTILITY 4-DR TYPE #4

ENGINE
ERB = 3.0L V6 Engine
EZH = 5.7L V8 HEMI MDS VVT Engine
EXF = 3.0L V6 Turbo Diesel Engine

TRANSMISSION
DGQ = 5-Spd Automatic 545RFE Transmission
DGJ = 5-Speed Auto W5A580 Transmission

AR = use ase required - = Non illustrated part

2011 WK

Group - 19

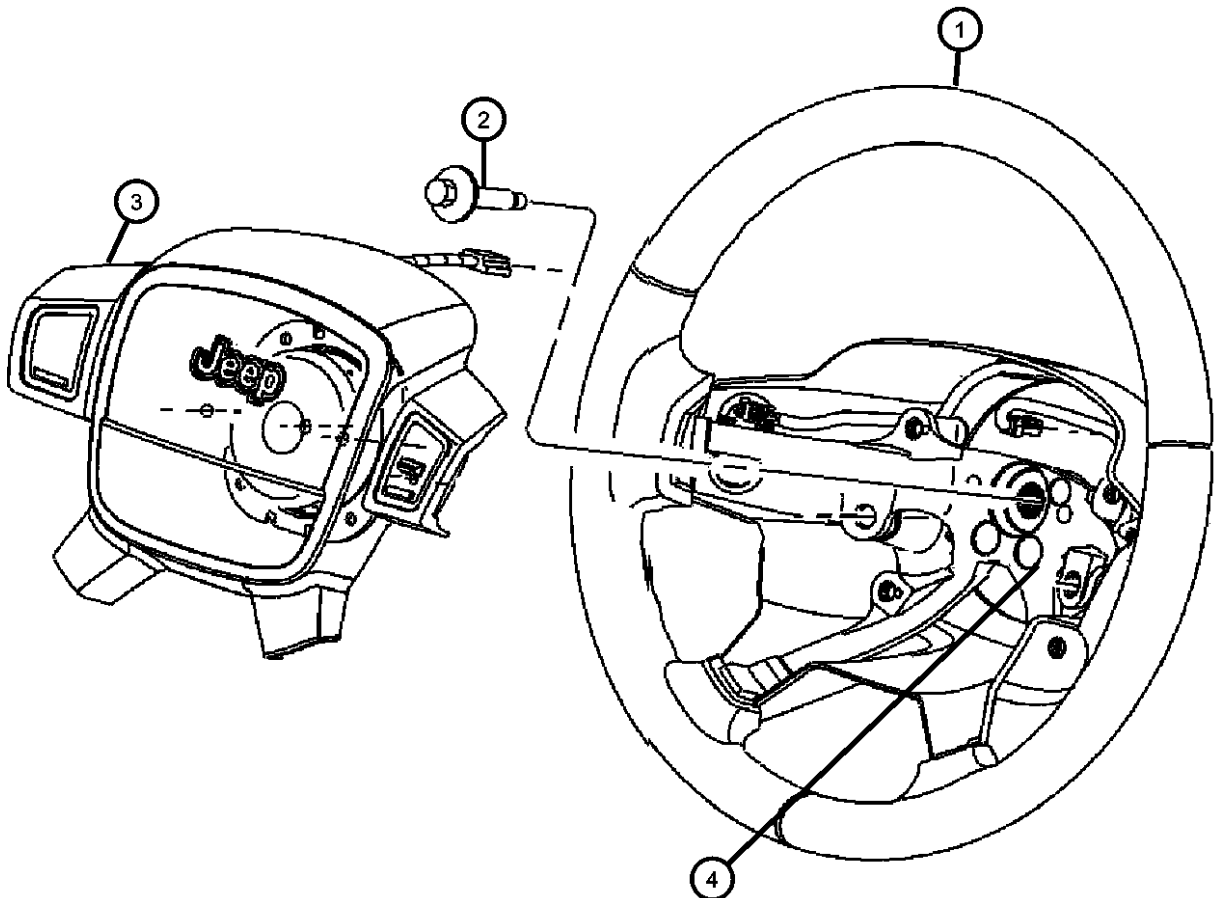
Steering

Group - 19 Steering

Illustration Title	Group-Fig. No.
Steering Wheel	
Steering Wheel Assembly	Fig. 19 - 105
Steering Column and Intermediate Shaft	
Steering Column	Fig. 19 - 205
Steering Gear	
Gear Rack and Pinion	Fig. 19 - 305
Power Steering Pump and Reservoir	
Power Steering Pump	Fig. 19 - 505
Power Steering Pump.....	Fig. 19 - 506
Power Steering Reservoir	Fig. 19 - 510
Power Steering Hoses	
Power Steering Hoses	Fig. 19 - 605

019-100 Steering Wheel	019-200 Steering Column and Intermediate Shaft	019-300 Steering Gear	019-500 Power Steering Pump and Reservoir
019-600 Power Steering Hoses			

Steering Wheel Assembly
Figure 19-105



ITEM	PART NUMBER	QTY	LINE	SERIES	BODY	ENGINE	TRANS	TRIM	DESCRIPTION
1									WHEEL, Steering
	1TE611D3AA	1	J, T, U		74				[D3][SCV,NHM,LAZ]
		1	J, T, U		74				[D3][SCV,NHM,LAZ,RSP]
	1TE66A77AA	1	J, T, U		74				[XL][SCV,NHM,LAZ,NHS]
	1TE65DX9AB	1	J, T, U		74				[SCW,NHP]
	1TE65HL9AB	1	J, T, U		74				[L9][SCW,NHM]
		1	J, T, U		74				[L9][SCW,NHP]
		1	J, T, U		74				[X9][SCV,NHM,LAZ,NHS,RSP]
	1TE611XLAA	1	J, T, U		74				[X9][SCV,NHM,LAZ]
		1	J, T, U		74				[X9]NHP]
		1	J, T, U		74				[XL][NHP]
	1TE66DX9AB	1	J, T, U		74				[SCV,LAZ,NHS]
	1TE61DX9AB	1	J, T, U		74				[SCV,NHM,LAZ,RSP]
		1	J, T, U		74				[SCW,NHM]
		1	J, T, U		74				[XL][SCV,NHM,LAZ,NHS,RSP]
		1	J, T, U		74				[X9][SCV,NHM,LAZ,NHS]
2		1							SCREW, Hex Flange Head, M10x1.5x35., (NOT SERVICED), BEZEL, Steering Wheel
3									
	1TE621D3AA	1	J, T, U		74				[D3]
	1TE621XLAA	1	J, T, U		74				[X9]
		1	J, T, U		74				[XL]
	1TE64GFAAB	1	J, T, U		74				
4	68083333AA	1	J, T, U		74	EZH			DAMPER, Steering Wheel

GRAND CHEROKEE (WK)

SERIES LINE
H = HIGHLINE T = JEEP - 2WD
P = PREMIUM J = JEEP - 4WD
S = SPORT U = JEEP - 4WD (RHD)

BODY
74 = SPORT UTILITY 4-DR
TYPE #4

ENGINE
ERB = 3.XL Mid V6 Engine
EZH = 5.7L V8 HEMI MDS
VVT Engine
EXF = 3.0L V6 Turbo Diesel
Engine

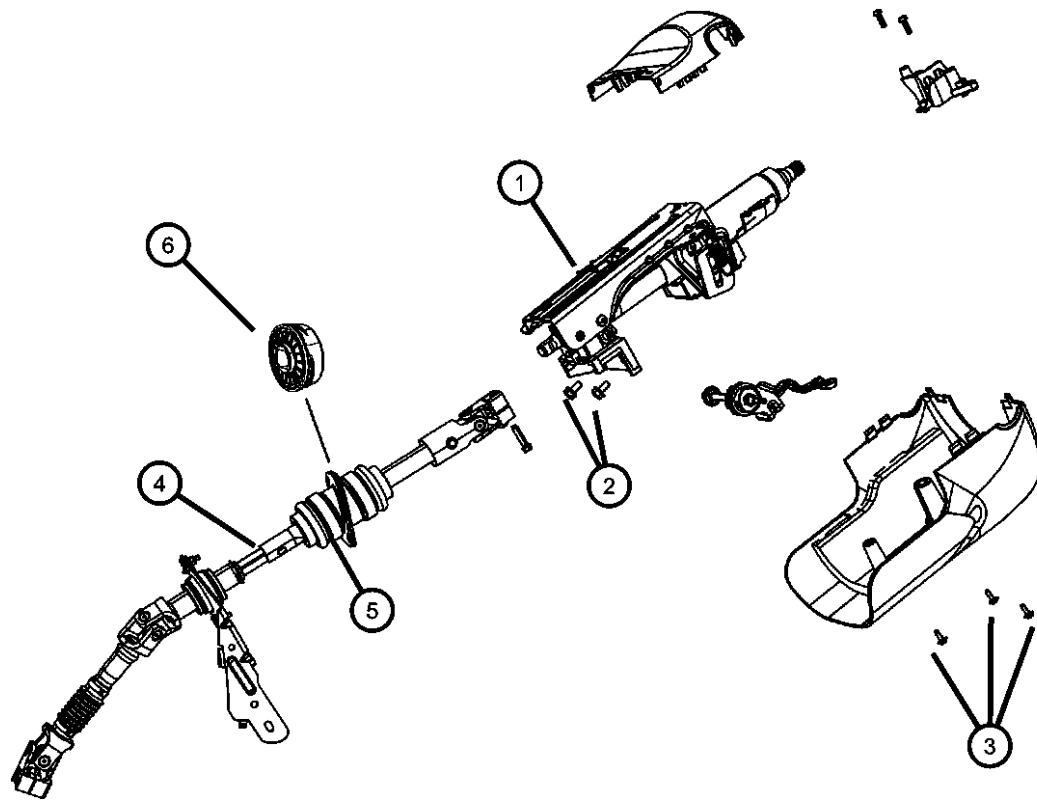
TRANSMISSION
DGQ = 5-Spd Automatic 545RFE
Transmission
DGJ = 5-Speed Auto W5A580
Transmission

AR = use ase required - = Non illustrated part

2011 WK

Steering Column
Figure 19-205

ITEM	PART NUMBER	QTY	LINE	SERIES	BODY	ENGINE	TRANS	TRIM	DESCRIPTION
1									COLUMN, Steering
	05057982AD	1	J, T		74				[SUB]
	05057983AD	1	J, T, U		74				[SUB]
	05057981AD	1	J, T, U		74				[SUD], Export
	05057980AD	1	J, T		74				[SUD]
2	06509489AA	4	J, T, U		74				BOLT, Hex Flange Head, M8X2.5X57.00, STEERING COLUMN TO I/P
3	06104368AA	3	J, T, U		74				BOLT AND WASHER, Hex Head, M6X1.00X25.00, DASH SEAL TO DASH PANEL
4									SHAFT, Steering column intermediate
	05057540AC	1	U		74				
	05057539AC	1	J, T		74				
5									COVER, Steering Column Opening
	68086160AA	1	J, T		74				
	68086161AA	1	U		74				
6	68086162AA	1	J, T, U		74				BEARING, Dash seal insert



GRAND CHEROKEE (WK)

SERIES LINE
H = HIGHLINE T = JEEP - 2WD
P = PREMIUM J = JEEP - 4WD
S = SPORT U = JEEP - 4WD (RHD)

BODY
74 = SPORT UTILITY 4-DR
TYPE #4

ENGINE
ERB = 3.XL Mid V6 Engine
EZH = 5.7L V8 HEMI MDS
VVT Engine
EXF = 3.0L V6 Turbo Diesel
Engine

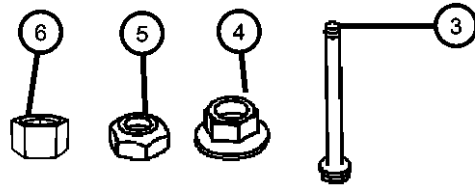
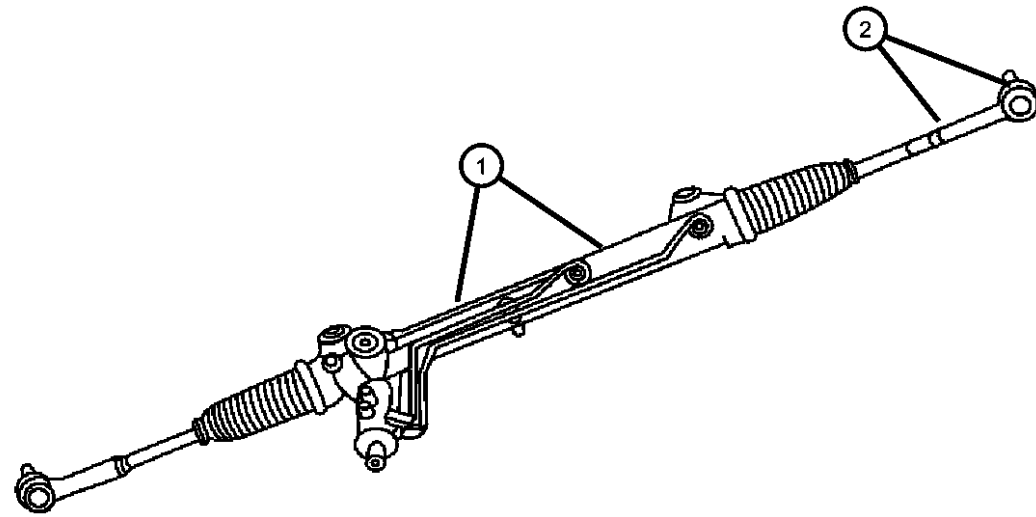
TRANSMISSION
DGQ = 5-Spd Automatic 545RFE
Transmission
DGJ = 5-Speed Auto W5A580
Transmission

AR = use ase required - = Non illustrated part

2011 WK

**Gear Rack and Pinion
Figure 19-305**

ITEM	PART NUMBER	QTY	LINE	SERIES	BODY	ENGINE	TRANS	TRIM	DESCRIPTION
1									GEAR, Rack and Pinion
	68078525AB	1	T		74	ERB			
	52124727AC	1	J, T		74	EX0			
	52124839AF	1	U		74	ER0, EZ0			
	52124848AC	1	U		74	EX0			
	52124724AF	1	J, T		74	EZ0			
		1	J		74	ER0			
2									TIE ROD KIT, Outer End
	68069646AA	1	J, T		74				Right
		3	U		74				Right
	68069647AA	1	J, T		74				Left
		1	U		74				Left
3	06104289AA	2	J, T, U		74				BOLT, Hex Flange Head, M16x1.50x160.00
4	06104720AA	2	J, T, U		74				NUT, Hex Flange Lock, M16x1.50
5	06505623AA	2	J, T, U		74				NUT, Hex Lock, M14x1.50
6									JAM NUT, Outer Tie Rod
	06509522AA	2	J, T		74				
		2	U		74				



GRAND CHEROKEE (WK)

SERIES LINE
H = HIGHLINE T = JEEP - 2WD
P = PREMIUM J = JEEP - 4WD
S = SPORT U = JEEP - 4WD (RHD)

BODY
74 = SPORT UTILITY 4-DR
TYPE #4

ENGINE
ERB = 3.0L Mid V6 Engine
EZH = 5.7L V8 HEMI MDS
VVT Engine
EXF = 3.0L V6 Turbo Diesel
Engine

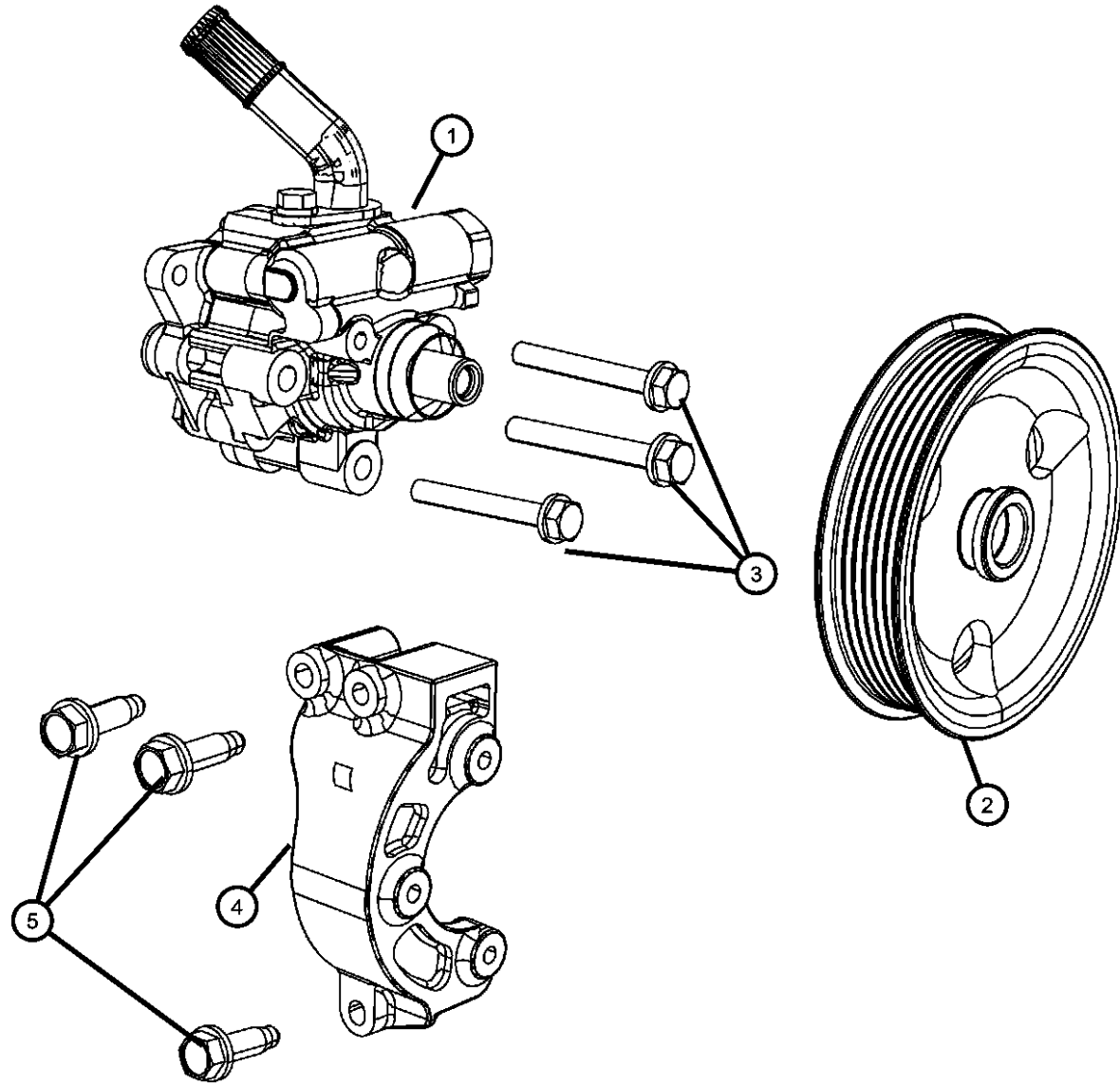
TRANSMISSION
DGQ = 5-Spd Automatic 545RFE
Transmission
DGJ = 5-Speed Auto W5A580
Transmission

AR = use ase required - = Non illustrated part

2011 WK

**Power Steering Pump
Figure 19-505**

ITEM	PART NUMBER	QTY	LINE	SERIES	BODY	ENGINE	TRANS	TRIM	DESCRIPTION
1	68068640AB	1	J, T, U		74	ER0			PUMP, Power Steering
	68068641AB	1	J, T, U		74	EZ0			
2	53013677AB	1	J, T, U		74	ER0			PULLEY, Power Steering Pump
	68032253AB	1	J, T, U		74	EZ0			
3	06104206AA	3	J, T, U		74	ER0			SCREW, Hex Flange Head, M8X1.25X80.0
		3	J, T, U		74	EZ0			
4	05184643AE	1	J, T, U		74	ERB			BRACKET, Power Steering Pump
5	06101959	3	J, T, U		74	ERB			SCREW AND WASHER, Hex Head, M8X1.25X65.00



GRAND CHEROKEE (WK)

SERIES LINE
H = HIGHLINE T = JEEP - 2WD
P = PREMIUM J = JEEP - 4WD
S = SPORT U = JEEP - 4WD (RHD)

BODY
74 = SPORT UTILITY 4-DR
TYPE #4

ENGINE
ERB = 3.XL Mid V6 Engine
EZH = 5.7L V8 HEMI MDS
VVT Engine
EXF = 3.0L V6 Turbo Diesel
Engine

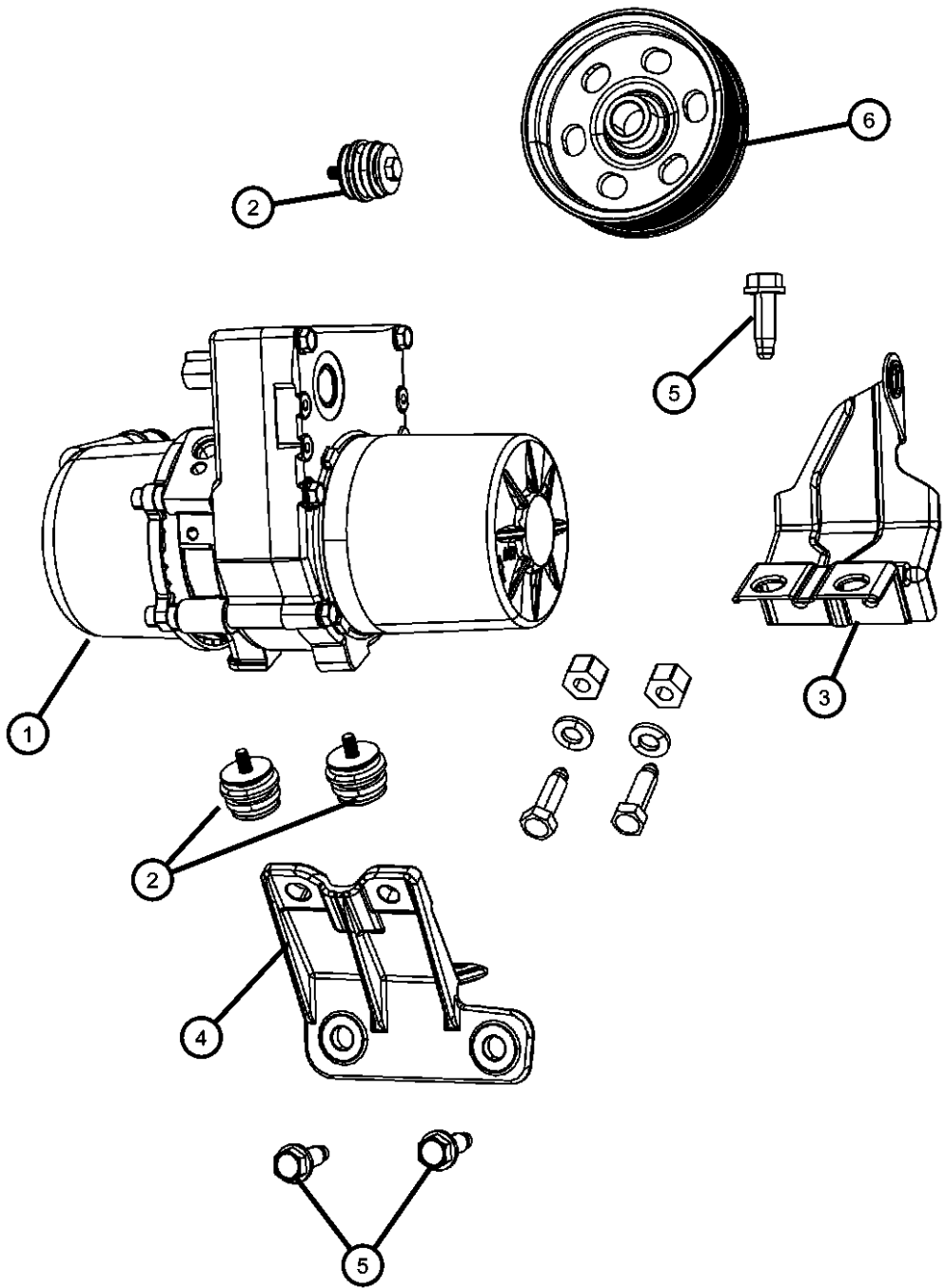
TRANSMISSION
DGQ = 5-Spd Automatic 545RFE
Transmission
DGJ = 5-Speed Auto W5A580
Transmission

AR = use ase required - = Non illustrated part

2011 WK

**Power Steering Pump
Figure 19-506**

ITEM	PART NUMBER	QTY	LINE	SERIES	BODY	ENGINE	TRANS	TRIM	DESCRIPTION
1	52124998AC	1	J, T, U		74	EXF			PUMP, Power Steering
2	68057875AA	3	J, T, U		74	EXF			ISOLATOR, Power Steering Pump
3	68060330AA	1	J, T, U		74	EXF			BRACKET, Power Steering Pump
4	68060331AA	1	J, T, U		74	EXF			BRACKET, Power Steering Pump
5	06503858	3	J, T, U		74	EXF			SCREW AND WASHER, Hex Head, M10x1.50x35
6	04891579AA	1	J, T, U		74	EX0			PULLEY, Power Steering Pump



GRAND CHEROKEE (WK)

SERIES LINE
H = HIGHLINE T = JEEP - 2WD
P = PREMIUM J = JEEP - 4WD
S = SPORT U = JEEP - 4WD (RHD)

BODY
74 = SPORT UTILITY 4-DR
TYPE #4

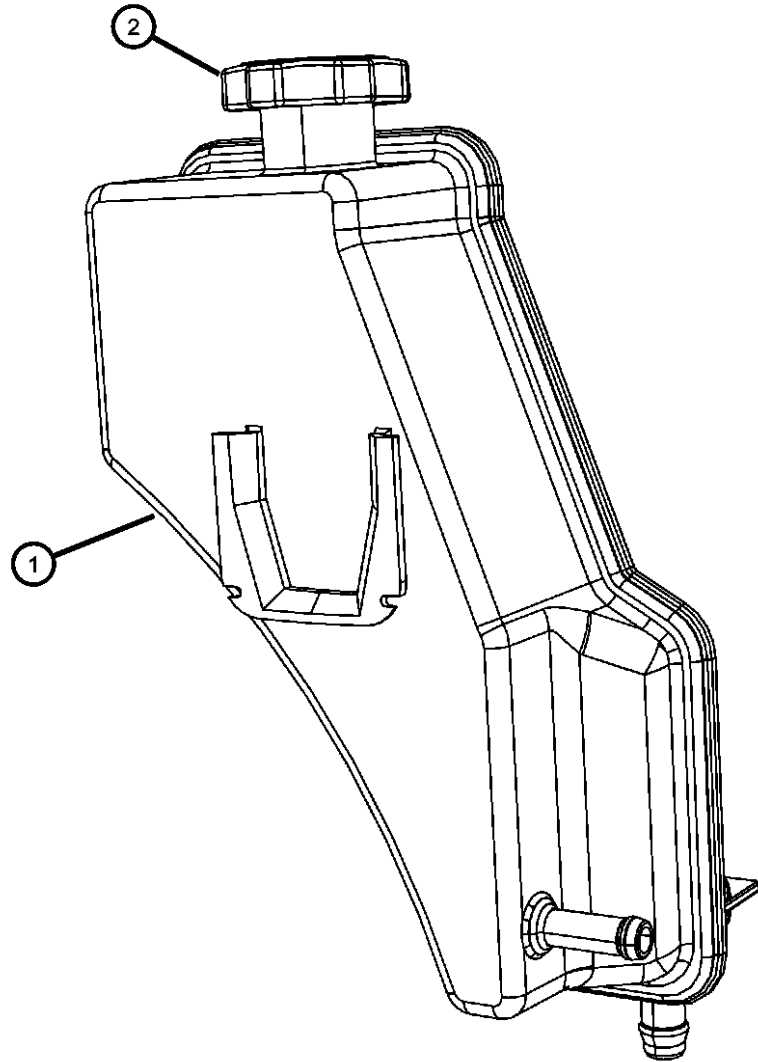
ENGINE
ERB = 3.XL Mid V6 Engine
EZH = 5.7L V8 HEMI MDS
VVT Engine
EXF = 3.0L V6 Turbo Diesel
Engine

TRANSMISSION
DGQ = 5-Spd Automatic 545RFE
Transmission
DGJ = 5-Speed Auto W5A580
Transmission

AR = use ase required - = Non illustrated part

**Power Steering Reservoir
Figure 19-510**

ITEM	PART NUMBER	QTY	LINE	SERIES	BODY	ENGINE	TRANS	TRIM	DESCRIPTION
1	52124636AB	1	J, T, U		74				RESERVOIR, Power Steering Fluid
2	52128513AA	1	J, T, U		74				CAP, Power Steering Reservoir



GRAND CHEROKEE (WK)

SERIES LINE
H = HIGHLINE T = JEEP - 2WD
P = PREMIUM J = JEEP - 4WD
S = SPORT U = JEEP - 4WD (RHD)

BODY
74 = SPORT UTILITY 4-DR
TYPE #4

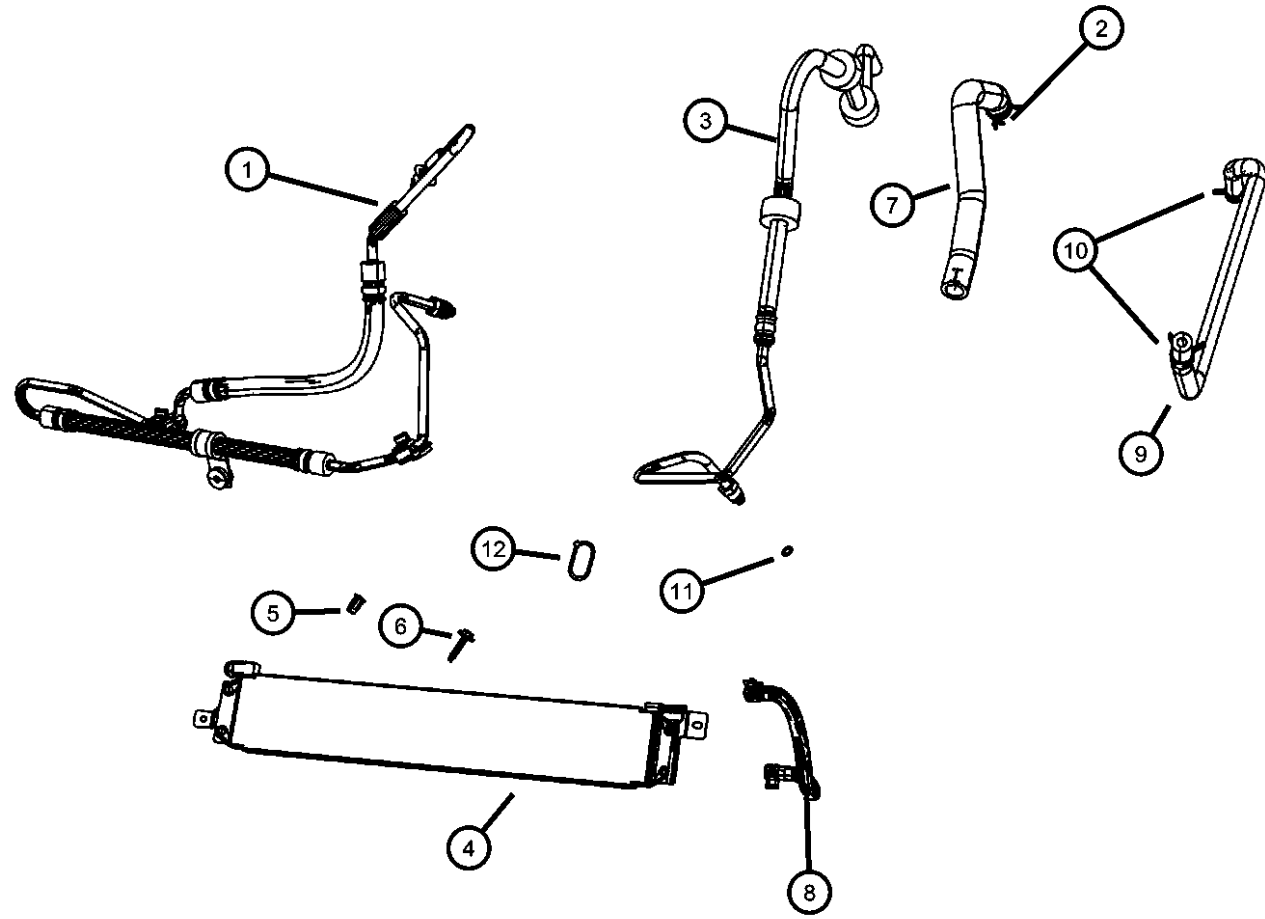
ENGINE
ERB = 3.XL Mid V6 Engine
EZH = 5.7L V8 HEMI MDS
VVT Engine
EXF = 3.0L V6 Turbo Diesel
Engine

TRANSMISSION
DGQ = 5-Spd Automatic 545RFE
Transmission
DGJ = 5-Speed Auto W5A580
Transmission

AR = use ase required - = Non illustrated part

2011 WK

Power Steering Hoses
Figure 19-605



ITEM	PART NUMBER	QTY	LINE	SERIES	BODY	ENGINE	TRANS	TRIM	DESCRIPTION
1									HOSE, Power Steering Pressure
	52124656AA	1	J, T		74	EX0			POWER STEERING PUMP TO STEERING GEAR
	52124794AE	1	U		74	ER0			POWER STEERING PUMP TO STEERING GEAR
	52124797AA	1	U		74	EX0			POWER STEERING PUMP TO STEERING GEAR
	52124801AF	1	U		74	EZ0			POWER STEERING PUMP TO STEERING GEAR
	52124641AF	1	J, T		74	ER0			POWER STEERING PUMP TO STEERING GEAR
	52124648AF	1	J, T		74	EZ0			POWER STEERING PUMP TO STEERING GEAR
2									CLAMP, Hose
	53041045	1	J, T		74	EX0			
		1	U		74	EX0			
		1	U		74	ER0, EZ0			
		1	J, T		74	ER0, EZ0			
3									HOSE, Power Steering Return
	52124655AA	1	J, T		74	EX0			POWER STEERING GEAR TO POWER STEERING RESERVOIR
	52124795AF	1	U		74	ER0, EZ0			POWER STEERING GEAR TO POWER STEERING RESERVOIR
	52124635AE	1	J, T		74	ER0, EZ0			POWER STEERING GEAR TO POWER STEERING RESERVOIR
	52124798AA	1	U		74	EX0			POWER STEERING GEAR TO POWER STEERING RESERVOIR
4	68069651AC	1	J, T, U		74	ER0, EZ0			COOLER, Power Steering
5									NUT, Rivet, M6X1.00
	06507828AA	4	J, T		74	EZ0			POWER STEERING HOSE TO CRADLE
		3	J, T, U		74	ER0, EX0			POWER STEERING HOSE TO CRADLE
		3	U		74	EZ0			POWER STEERING HOSE TO CRADLE
6									SCREW AND WASHER, HEX HEAD, M6X1.0X35.00
	06506669AA	3	J, T, U		74	ER0, EX0			POWER STEERING HOSE TO CRADLE
		4	J, T		74	EZ0			POWER STEERING HOSE TO CRADLE

GRAND CHEROKEE (WK)

SERIES LINE
H = HIGHLINE T = JEEP - 2WD
P = PREMIUM J = JEEP - 4WD
S = SPORT U = JEEP - 4WD (RHD)

BODY
74 = SPORT UTILITY 4-DR
TYPE #4

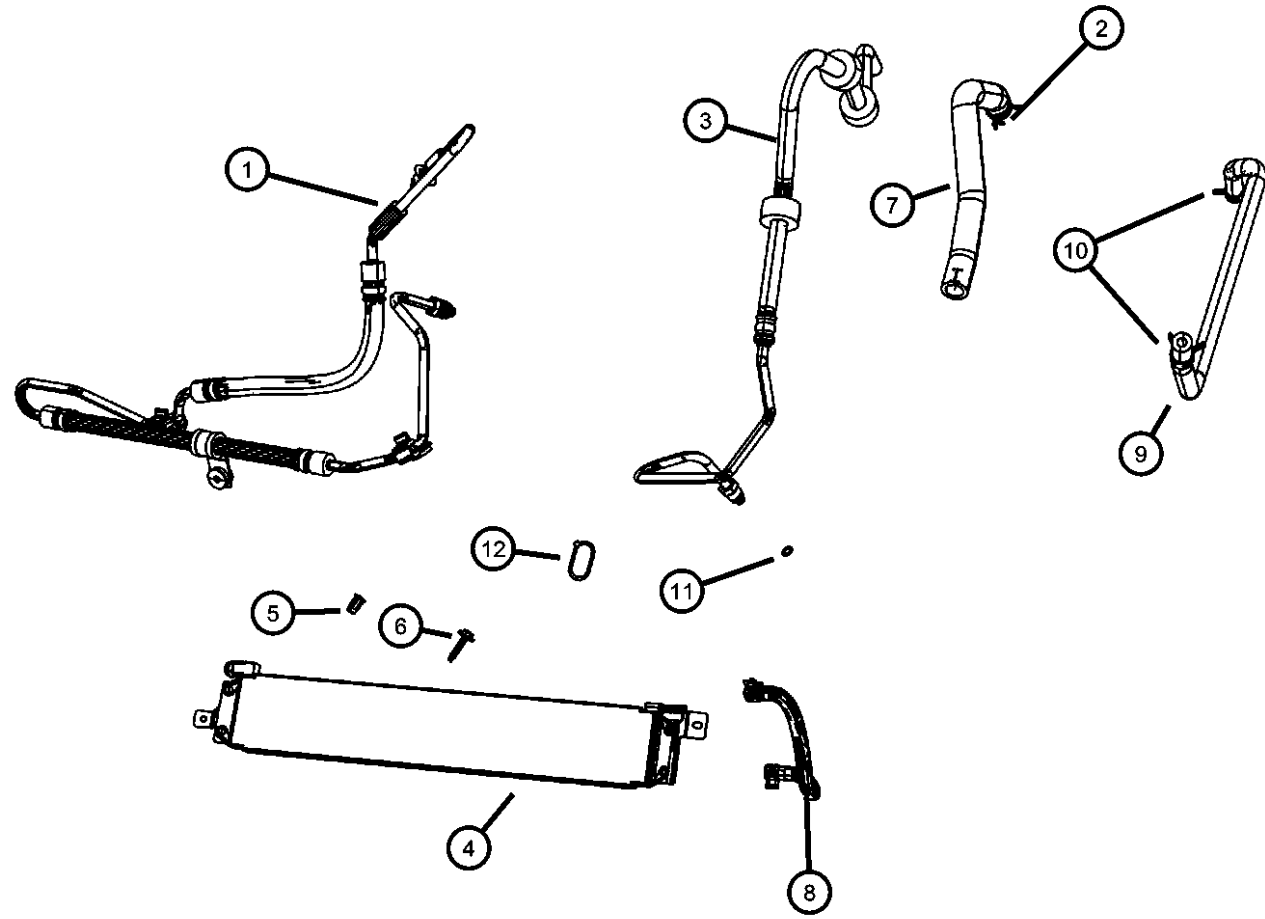
ENGINE
ERB = 3.XL Mid V6 Engine
EZH = 5.7L V8 HEMI MDS
VVT Engine
EXF = 3.0L V6 Turbo Diesel
Engine

TRANSMISSION
DGQ = 5-Spd Automatic 545RFE
Transmission
DGJ = 5-Speed Auto W5A580
Transmission

AR = use ase required - = Non illustrated part

2011 WK

**Power Steering Hoses
Figure 19-605**



ITEM	PART NUMBER	QTY	LINE	SERIES	BODY	ENGINE	TRANS	TRIM	DESCRIPTION
7	52124654AD	1	J, T, U		74	EX0			HOSE, Power Steering Return POWER STEERING RESERVOIR TO POWER STEERING PUMP
	05154800AA	1	J, T		74	EXF			POWER STEERING RESERVOIR TO POWER STEERING PUMP
	52124808AG	1	J, T, U		74	EZ0			POWER STEERING RESERVOIR TO POWER STEERING PUMP
	52124796AH	1	J, T, U		74	ERB			POWER STEERING RESERVOIR TO POWER STEERING PUMP
8	52124652AA	1	J, T, U		74	ER0, EZ0			HOSE, Power Steering Return Cooler to reservoir
	05154660AA	1	J, T, U		74	EZH			Cooler to reservoir
9	52124650AE	1	J, T, U		74	ER0, EZ0			HOSE, Power Steering Return, Gear to cooler
10	53041045	1	J, T		74	ER0, EZ0			CLAMP, Hose
		1	U		74	EX0			
		1	U		74	ER0, EZ0			
		1	J, T		74	EX0			
11	05205254	2	J, T		74	EZ0			O RING, Power Steering Hose
		2	U		74	ER0			
		1	U		74	ER0, EZ0			
		2	U		74	EX0			
		2	J, T		74	EX0			
		2	U		74	EZ0			
12	04641780	1	J, T, U		74	EXL			STRAP, Tie

GRAND CHEROKEE (WK)

SERIES LINE
H = HIGHLINE T = JEEP - 2WD
P = PREMIUM J = JEEP - 4WD
S = SPORT U = JEEP - 4WD (RHD)

BODY
74 = SPORT UTILITY 4-DR
TYPE #4

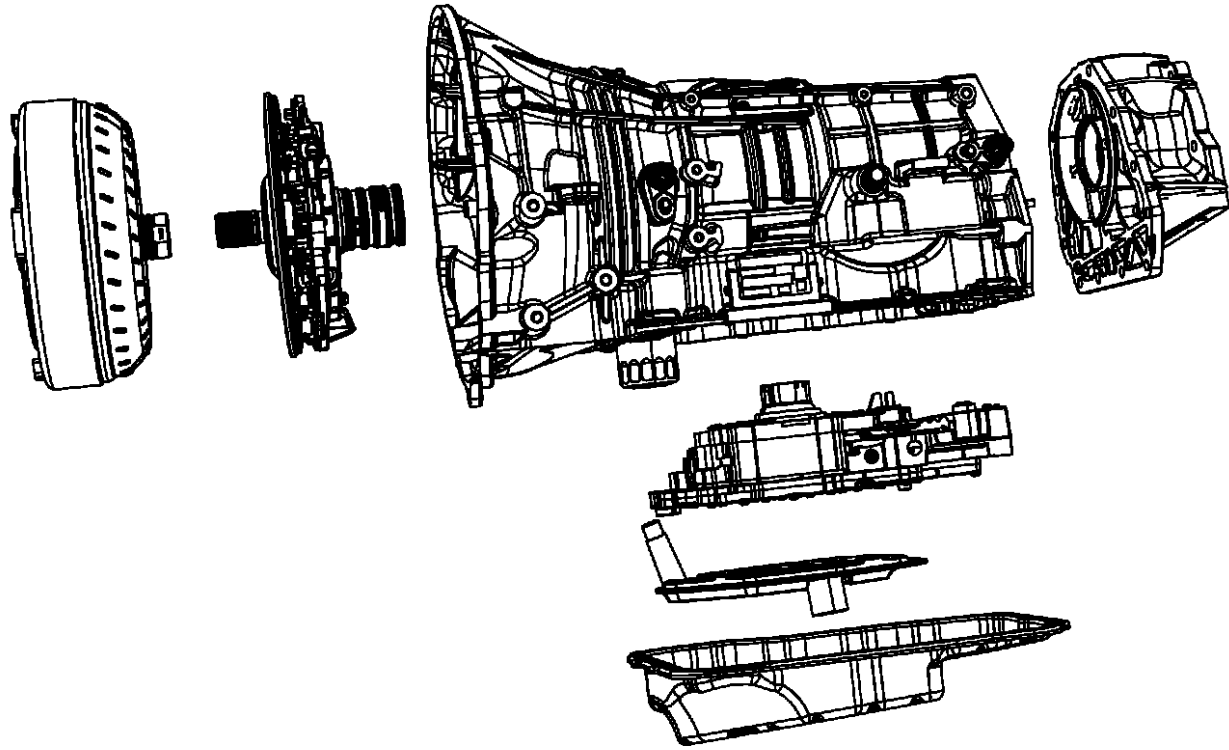
ENGINE
ERB = 3.0L Mid V6 Engine
EZH = 5.7L V8 HEMI MDS
VVT Engine
EXF = 3.0L V6 Turbo Diesel
Engine

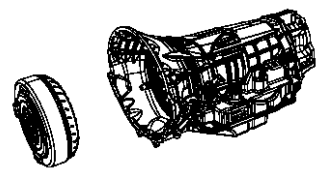
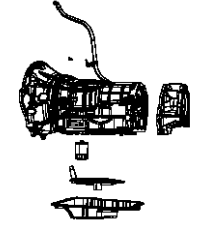
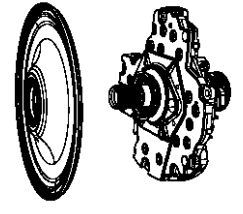

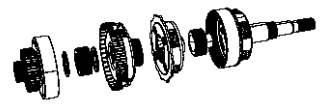
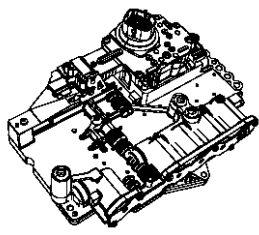
TRANSMISSION
DGQ = 5-Spd Automatic 545RFE
Transmission
DGJ = 5-Speed Auto W5A580
Transmission

AR = use ase required - = Non illustrated part

Group - 021DGJ

NAG1; W5A580; 5-Speed; Automatic Transmission

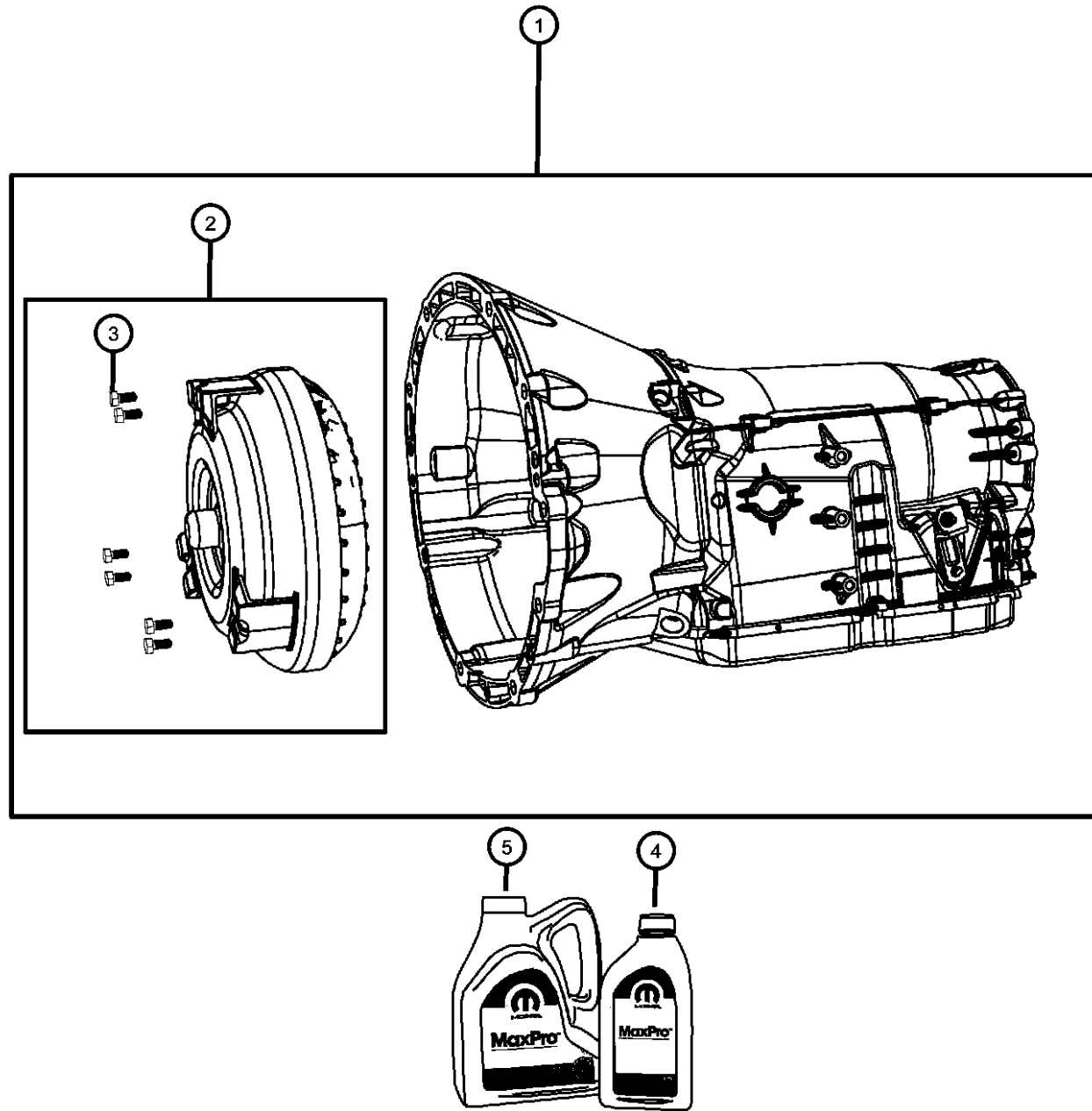


<p>021DGJ-100 Automatic Transmission / Transaxle and Torque Converter</p> 	<p>021DGJ-1100 Gearshift Controls and Related Parts</p>	<p>021DGJ-1200 Mounting and Skid Plate</p>	<p>021DGJ-200 Case, Extension, Oil Pan, and Indicator (Dipstick)</p> 
<p>021DGJ-300 Seal and Shim Packages</p>	<p>021DGJ-400 Oil Pump</p> 	<p>021DGJ-500 Clutches</p> 	<p>021DGJ-600 Gear Train</p> 
<p>021DGJ-800 Valve Body, Accumulator, Solenoid and Parking Sprag</p> 			

Group - 021DGJ NAG1; W5A580; 5-Speed; Automatic Transmission

Illustration Title	Group-Fig. No.
Automatic Transmission / Transaxle and Torque Converter	
Transmission / Transaxle Assembly	Fig. 021DGJ - 105
Torque Converter.....	Fig. 021DGJ - 110
Case, Extension, Oil Pan, and Indicator (Dipstick)	
Case.....	Fig. 021DGJ - 210
Adapter 4WD	Fig. 021DGJ - 221
Extension 2WD	Fig. 021DGJ - 222
Oil Fill Tube And Related Parts	Fig. 021DGJ - 225
Oil Pan, Cover And Related Parts	Fig. 021DGJ - 230
Filters.....	Fig. 021DGJ - 235
Sensors, Vents And Quick Connectors.....	Fig. 021DGJ - 240
Seal and Shim Packages	
Seal And Shim Packages.....	Fig. 021DGJ - 305
Oil Pump	
Oil Pump and Related Parts.....	Fig. 021DGJ - 420
Clutches	
B1 Brake Clutch	Fig. 021DGJ - 526
K1 Clutch Assembly.....	Fig. 021DGJ - 527
K2 Clutch Assembly.....	Fig. 021DGJ - 528
K3 Clutch Assembly.....	Fig. 021DGJ - 529
B3 Clutch Assembly.....	Fig. 021DGJ - 530
B2 Clutch Assembly.....	Fig. 021DGJ - 531
B2 Clutch Assembly.....	Fig. 021DGJ - 532
Gear Train	
Front Planetary Carrier	Fig. 021DGJ - 611
Output Shaft With Center And Rear Planetary Gear Sets	Fig. 021DGJ - 612
Valve Body, Accumulator, Solenoid and Parking Sprag	
Valve Body And Related Parts	Fig. 021DGJ - 825
Parking Sprag And Related Parts.....	Fig. 021DGJ - 860
Gearshift Controls and Related Parts	
Gearshift Controls.....	Fig. 021DGJ - 1105
Gearshift Lever, Cable and Bracket.....	Fig. 021DGJ - 1115
Mounting and Skid Plate	
Mounting Covers And Shields.....	Fig. 021DGJ - 1205
Transmission Mount [2WD].....	Fig. 021DGJ - 1206
Transmission Mount [4WD].....	Fig. 021DGJ - 1207
Mounting Bolts.....	Fig. 021DGJ - 1215

**Transmission / Transaxle Assembly
Figure 021DGJ-105**



ITEM	PART NUMBER	QTY	LINE	SERIES	BODY	ENGINE	TRANS	TRIM	DESCRIPTION
1									TRANSMISSION KIT, With Torque Converter
	68085629AA	1	J, U			EXF	DGJ		
	RL079179AA	1	T			ERB	DGJ		
	RL079180AA	1	J, U			ERB	DGJ		
2									CONVERTER KIT, Torque
	68085643AA	1	J, U			EXF	DGJ		
	RL078840AA	1	T			ERB	DGJ		
		1	J, U			ERB	DGJ		
3									SCREW
	06508423AA	6	J, T, U			EXF	DGJ		
	06509361AA	6	J, T, U			ERB	DGJ		
4	05013457AA	AR	J, T, U						FLUID, Automatic Transmission ATF+4, Quart, Standard MS-9602-F
5	05013458AA	AR	J, T, U						FLUID, Automatic Transmission ATF+4, Gallon, Standard MS-9602-F

GRAND CHEROKEE (WK)

SERIES LINE
H = HIGHLINE T = JEEP - 2WD
P = PREMIUM J = JEEP - 4WD
S = SPORT U = JEEP - 4WD (RHD)

BODY
74 = SPORT UTILITY 4-DR TYPE #4

ENGINE
ERB = 3.0L V6 Engine
EZH = 5.7L V8 HEMI MDS VVT Engine
EXF = 3.0L V6 Turbo Diesel Engine

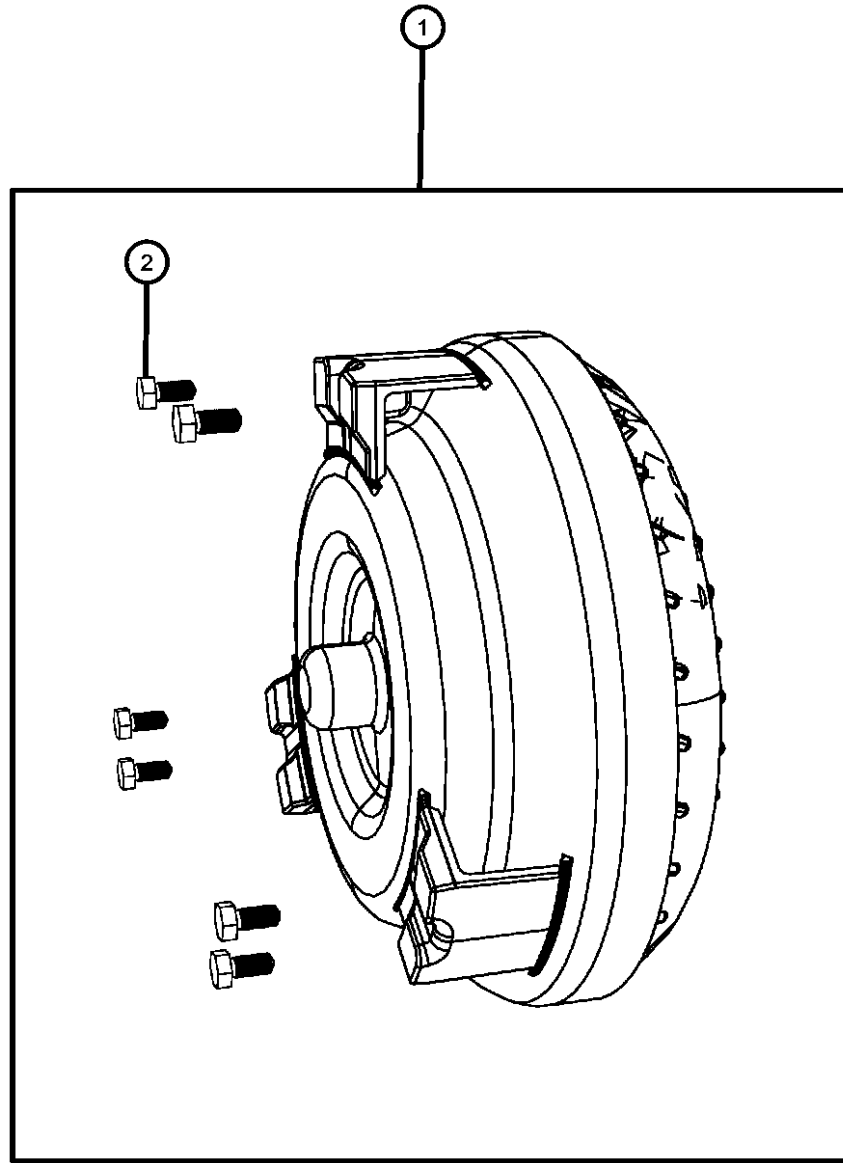
TRANSMISSION
DGQ = 5-Spd Automatic 545RFE Transmission
DGJ = 5-Speed Auto W5A580 Transmission

AR = use ase required - = Non illustrated part

2011 WK

**Torque Converter
Figure 021DGJ-110**

ITEM	PART NUMBER	QTY	LINE	SERIES	BODY	ENGINE	TRANS	TRIM	DESCRIPTION
1	68085643AA	1	J, U			EXF	DGJ		CONVERTER KIT, Torque
	RL078840AA	1	T			ERB	DGJ		
		1	J, U			ERB	DGJ		
2	06508423AA	6	J, T, U			EXF	DGJ		SCREW
	06509361AA	6	J, T, U			ERB	DGJ		



GRAND CHEROKEE (WK)

SERIES LINE
H = HIGHLINE T = JEEP - 2WD
P = PREMIUM J = JEEP - 4WD
S = SPORT U = JEEP - 4WD (RHD)

BODY
74 = SPORT UTILITY 4-DR
TYPE #4

ENGINE
ERB = 3.0L V6 Engine
EZH = 5.7L V8 HEMI MDS
VVT Engine
EXF = 3.0L V6 Turbo Diesel
Engine

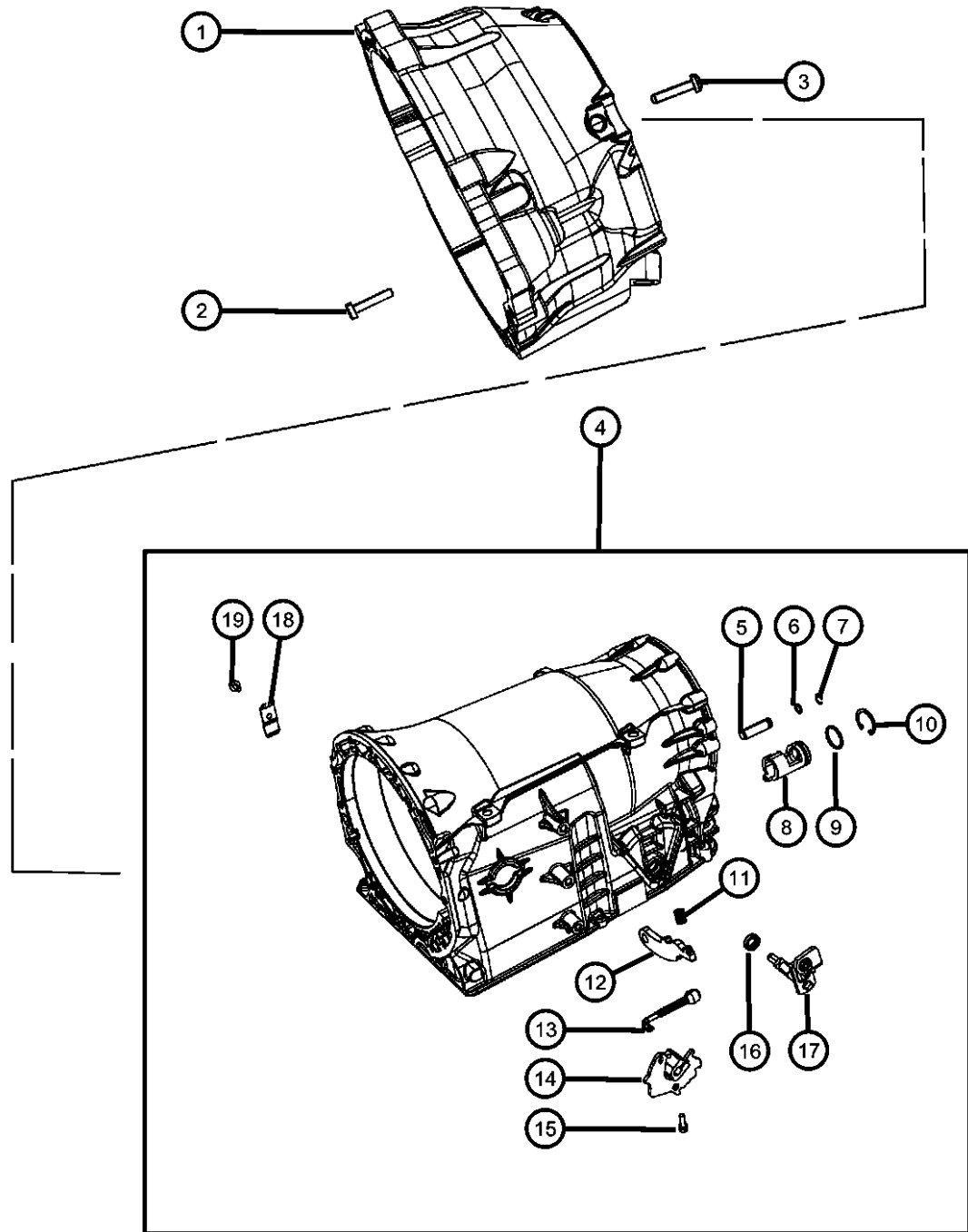
TRANSMISSION
DGQ = 5-Spd Automatic 545RFE
Transmission
DGJ = 5-Speed Auto W5A580
Transmission

AR = use ase required - = Non illustrated part

2011 WK

Case
Figure 021DGJ-210

ITEM	PART NUMBER	QTY	LINE	SERIES	BODY	ENGINE	TRANS	TRIM	DESCRIPTION
1	52108683AA	1	J, U			ERB	DGJ		HOUSING, Torque Converter
	52120020AA	1	J, U			EXF	DGJ		
		1	T			ERB	DGJ		
2	52108206AA	15	J, U			ERB	DGJ		BOLT, Socket Head, M8x40
		15	T			ERB	DGJ		
		15	J, U			EXF	DGJ		
3	06104158AA	2	J, U			ERB	DGJ		BOLT, Torx Head, M8x1.25x40, Case to Bell Housing
		2	T			ERB	DGJ		
		2	J, U			EXF	DGJ		
4	52108431AA	1	T			ERB	DGJ		CASE, Transmission
	52108447AA	1	J, U			ERB	DGJ		
		1	J, U			EXF	DGJ		
5	52108155AA	1	J, U			ERB	DGJ		SHAFT, Parking Pawl
		1	T			ERB	DGJ		
		1	J, U			EXF	DGJ		
6	52108156AB	1	J, U			EXF	DGJ		O RING
		1	J, U			ERB	DGJ		
		1	T			ERB	DGJ		
7	52107975AA	1	J, U			ERB	DGJ		SNAP RING
		1	T			ERB	DGJ		
		1	J, U			EXF	DGJ		
8	52108176AA	1	J, U			ERB	DGJ		GUIDE
		1	T			ERB	DGJ		
		1	J, U			EXF	DGJ		
9	52108177AA	1	J, U			EXF	DGJ		O RING



GRAND CHEROKEE (WK)

SERIES LINE
H = HIGHLINE T = JEEP - 2WD
P = PREMIUM J = JEEP - 4WD
S = SPORT U = JEEP - 4WD (RHD)

BODY
74 = SPORT UTILITY 4-DR
TYPE #4

ENGINE
ERB = 3.0L V6 Engine
EZH = 5.7L V8 HEMI MDS
VVT Engine
EXF = 3.0L V6 Turbo Diesel
Engine

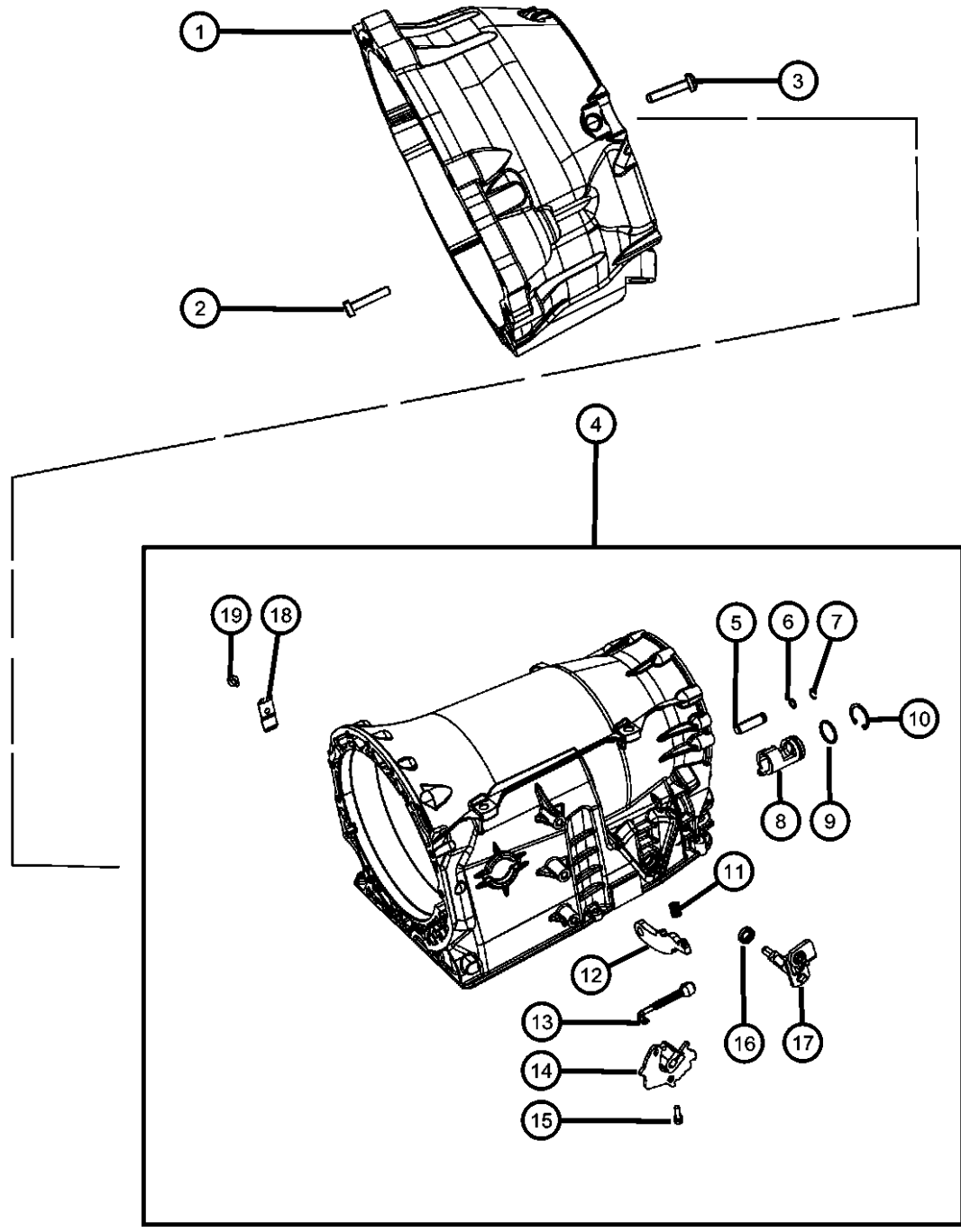
TRANSMISSION
DGQ = 5-Spd Automatic 545RFE
Transmission
DGJ = 5-Speed Auto W5A580
Transmission

AR = use ase required - = Non illustrated part

2011 WK

Case
Figure 021DGJ-210

ITEM	PART NUMBER	QTY	LINE	SERIES	BODY	ENGINE	TRANS	TRIM	DESCRIPTION
		1	J, U			ERB	DGJ		
		1	T			ERB	DGJ		
10	52107976AA	1	J, U			ERB	DGJ		SNAP RING
		1	T			ERB	DGJ		
		1	J, U			EXF	DGJ		
11	52108157AA	1	J, U			ERB	DGJ		SPRING
		1	T			ERB	DGJ		
		1	J, U			EXF	DGJ		
12	52108154AA	1	J, U			ERB	DGJ		PAWL, Parking Sprag
		1	T			ERB	DGJ		
		1	J, U			EXF	DGJ		
13	68052714AA	1	T			ERB	DGJ		LINKAGE, Transmission
		1	J, U			ERB	DGJ		
		1	J, U			EXF	DGJ		
14	52108349AB	1	T			ERB	DGJ		DETENT, Gearshift
		1	J, U			ESG	DGJ		
		1	J, U			ERB	DGJ		
15	52108178AA	1	J, U			ERB	DGJ		BOLT, Torx Head, M6x20
		1	T			ERB	DGJ		
		1	J, U			EXF	DGJ		
16	05134933AA	AR	T			ERB	DGJ		SEAL, Transmission
		AR	J, U			EXF	DGJ		
		AR	J, U			ERB	DGJ		
17	52108432AA	1	J, U			ERB	DGJ		SHAFT, Shift Lever
		1	T			ERB	DGJ		
		1	J, U			EXF	DGJ		



GRAND CHEROKEE (WK)

SERIES LINE
H = HIGHLINE T = JEEP - 2WD
P = PREMIUM J = JEEP - 4WD
S = SPORT U = JEEP - 4WD (RHD)

BODY
74 = SPORT UTILITY 4-DR
TYPE #4

ENGINE
ERB = 3.0L Mid V6 Engine
EZH = 5.7L V8 HEMI MDS
VVT Engine
EXF = 3.0L V6 Turbo Diesel
Engine

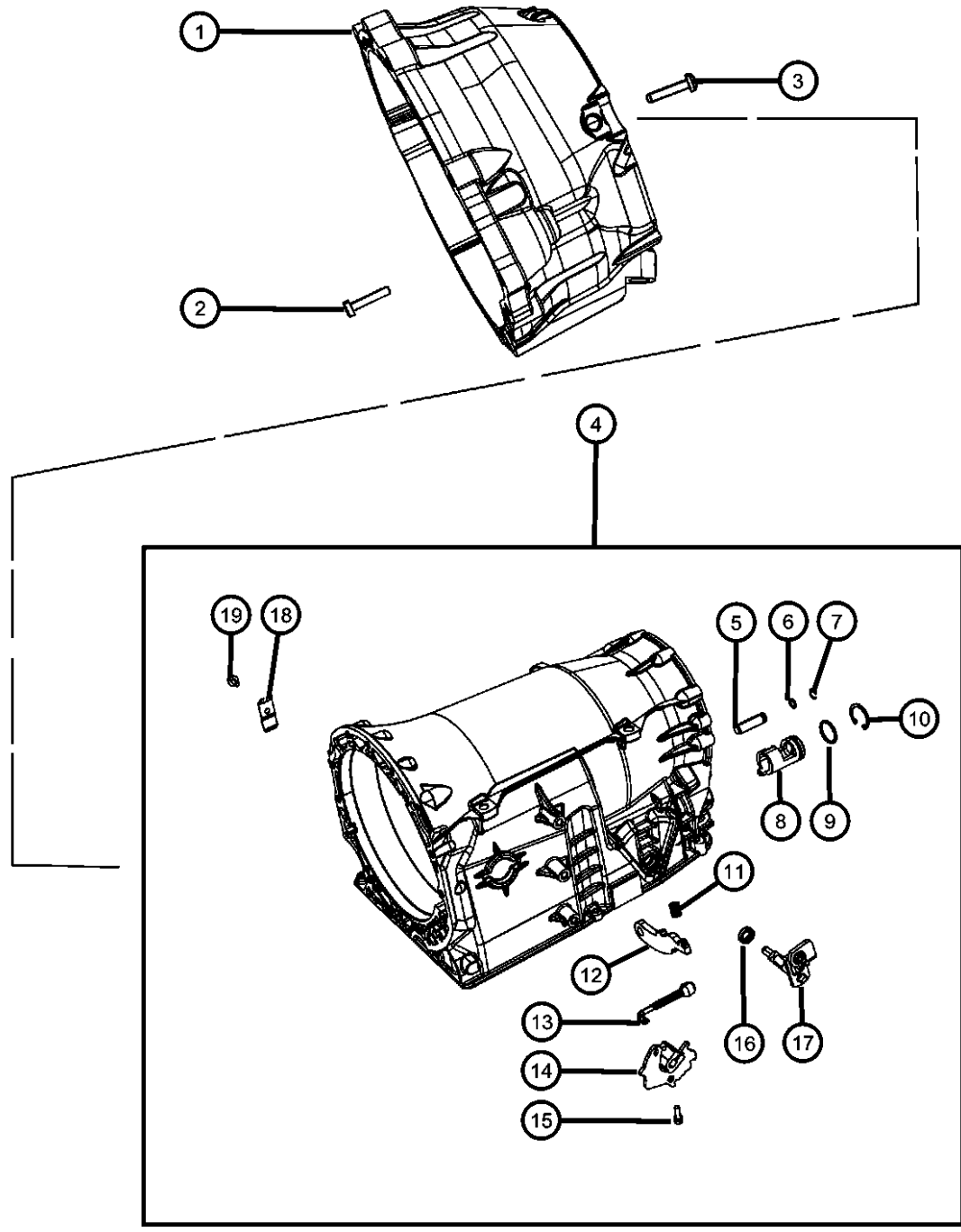
TRANSMISSION
DGQ = 5-Spd Automatic 545RFE
Transmission
DGJ = 5-Speed Auto W5A580
Transmission

AR = use ase required - = Non illustrated part

2011 WK

Case
Figure 021DGJ-210

ITEM	PART NUMBER	QTY	LINE	SERIES	BODY	ENGINE	TRANS	TRIM	DESCRIPTION
18	52108179AA	1	J, U			ERB	DGJ		SPRING
		1	T			ERB	DGJ		
		1	J, U			EXF	DGJ		
19		1							SCREW AND WASHER, Hex Head, M6x1x14, (NOT SERVICED)



GRAND CHEROKEE (WK)

SERIES LINE
H = HIGHLINE T = JEEP - 2WD
P = PREMIUM J = JEEP - 4WD
S = SPORT U = JEEP - 4WD (RHD)

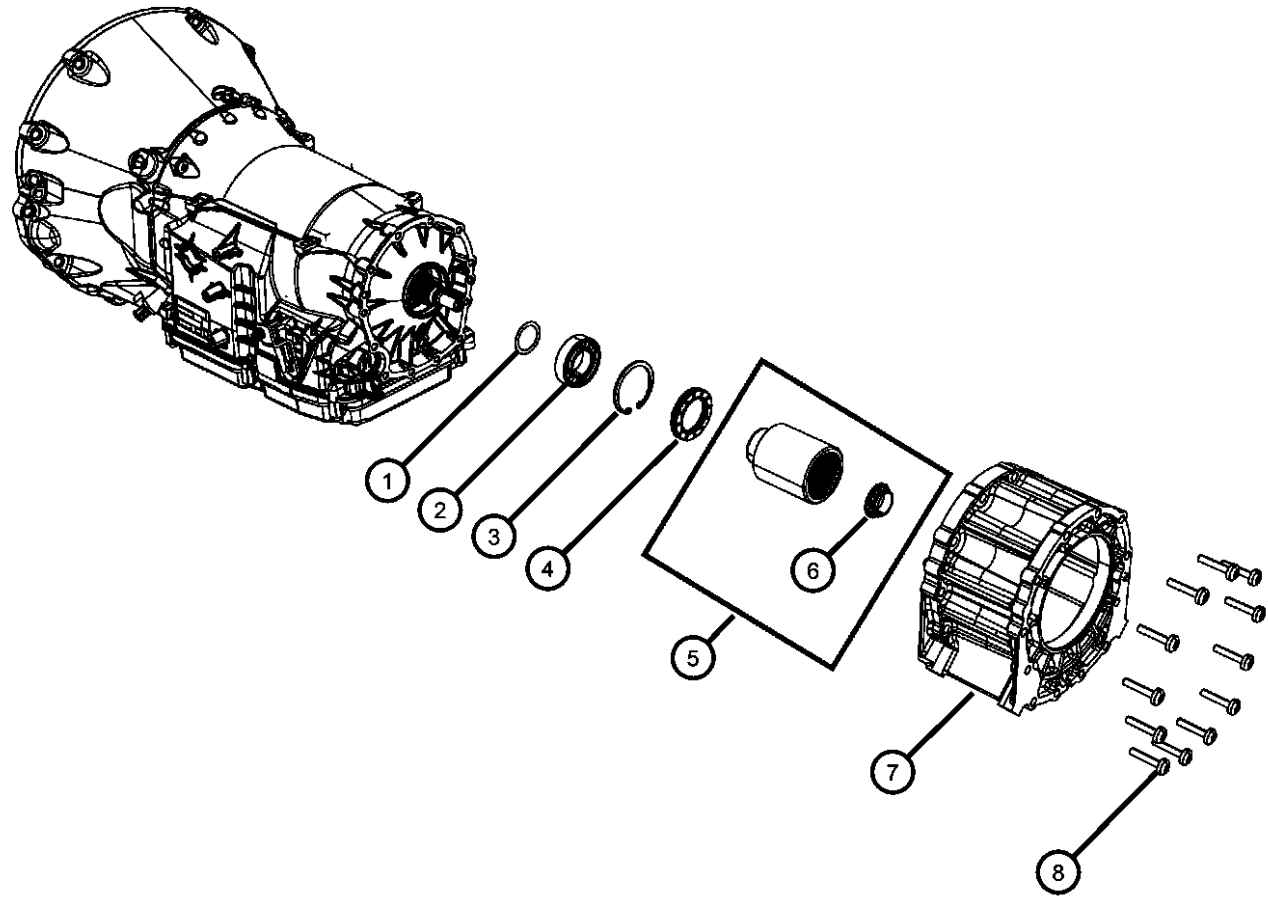
BODY
74 = SPORT UTILITY 4-DR
TYPE #4

ENGINE
ERB = 3.0L V6 Engine
EZH = 5.7L V8 HEMI MDS
VVT Engine
EXF = 3.0L V6 Turbo Diesel
Engine

TRANSMISSION
DGQ = 5-Spd Automatic 545RFE
Transmission
DGJ = 5-Speed Auto W5A580
Transmission

AR = use ase required - = Non illustrated part

**Adapter 4WD
Figure 021DGJ-221**



ITEM	PART NUMBER	QTY	LINE	SERIES	BODY	ENGINE	TRANS	TRIM	DESCRIPTION
1	68001917AA	1	J, U			ERB	DGJ		SHIM PACKAGE, Park & output bearing
		AR	J, U			EXF	DGJ		
2	52108207AA	1	J, U			ERB	DGJ		BEARING, Output Shaft
		1	J, U			EXF	DGJ		
3	68008210AA	AR	J, U			ERB	DGJ		SNAP RING PACKAGE, Transmission
		AR	J, U			EXF	DGJ		
4	52108428AA	1	J, U			ERB	DGJ		SEAL, Output Shaft
		1	J, U			EXF	DGJ		
5	68078839AA	1	J, U			ERB	DGJ		SHAFT, Intermediate
		1	J, U			EXF	DGJ		
6	52108234AA	1	J, U			ERB	DGJ		NUT, Flange to Output Shaft, M26x1.5
		1	J, U			EXF	DGJ		
7	52108715AA	1	J, U			EXF	DGJ		ADAPTER, Transfer Case
		1	J, U			ERB	DGJ		
8	06104157AB	12	J, U			ERB	DGJ		BOLT, Torx Head, M8x1.25x35.00
		12	J, U			EXF	DGJ		

GRAND CHEROKEE (WK)

SERIES LINE
H = HIGHLINE T = JEEP - 2WD
P = PREMIUM J = JEEP - 4WD
S = SPORT U = JEEP - 4WD (RHD)

BODY
74 = SPORT UTILITY 4-DR
TYPE #4

ENGINE
ERB = 3.0L V6 Engine
EZH = 5.7L V8 HEMI MDS
VVT Engine
EXF = 3.0L V6 Turbo Diesel
Engine

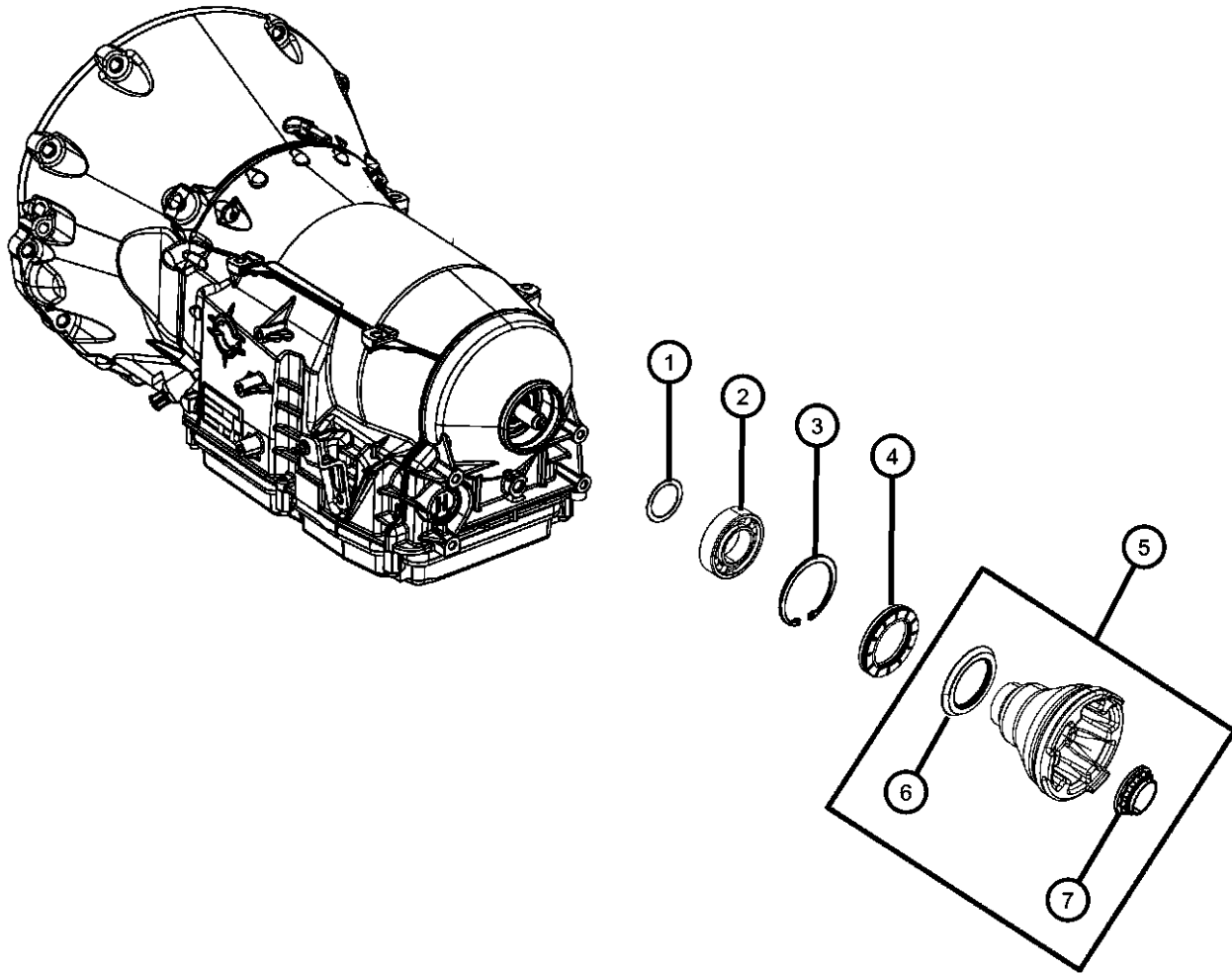
TRANSMISSION
DGQ = 5-Spd Automatic 545RFE
Transmission
DGJ = 5-Speed Auto W5A580
Transmission

AR = use ase required - = Non illustrated part

2011 WK

Extension 2WD
Figure 021DGJ-222

ITEM	PART NUMBER	QTY	LINE	SERIES	BODY	ENGINE	TRANS	TRIM	DESCRIPTION
1	68001917AA	1	T			ERB	DGJ		SHIM PACKAGE, Park & output bearing
2	52108207AA	1	T			ERB	DGJ		BEARING, Output Shaft
3	68008210AA	AR	T			ERB	DGJ		SNAP RING PACKAGE, Transmission
4	52108428AA	1	T			ERB	DGJ		SEAL, Output Shaft
5	68077944AA	1	T			ERB	DGJ		FLANGE PACKAGE, Drive Shaft
6	52108626AA	1	T			ERB	DGJ		SLINGER, Output Shaft Seal
7	52108234AA	1	T			ERB	DGJ		NUT, Flange to Output Shaft, M26x1.5



GRAND CHEROKEE (WK)

SERIES LINE
H = HIGHLINE T = JEEP - 2WD
P = PREMIUM J = JEEP - 4WD
S = SPORT U = JEEP - 4WD (RHD)

BODY
74 = SPORT UTILITY 4-DR
TYPE #4

ENGINE
ERB = 3.XL Mid V6 Engine
EZH = 5.7L V8 HEMI MDS
VVT Engine
EXF = 3.0L V6 Turbo Diesel
Engine

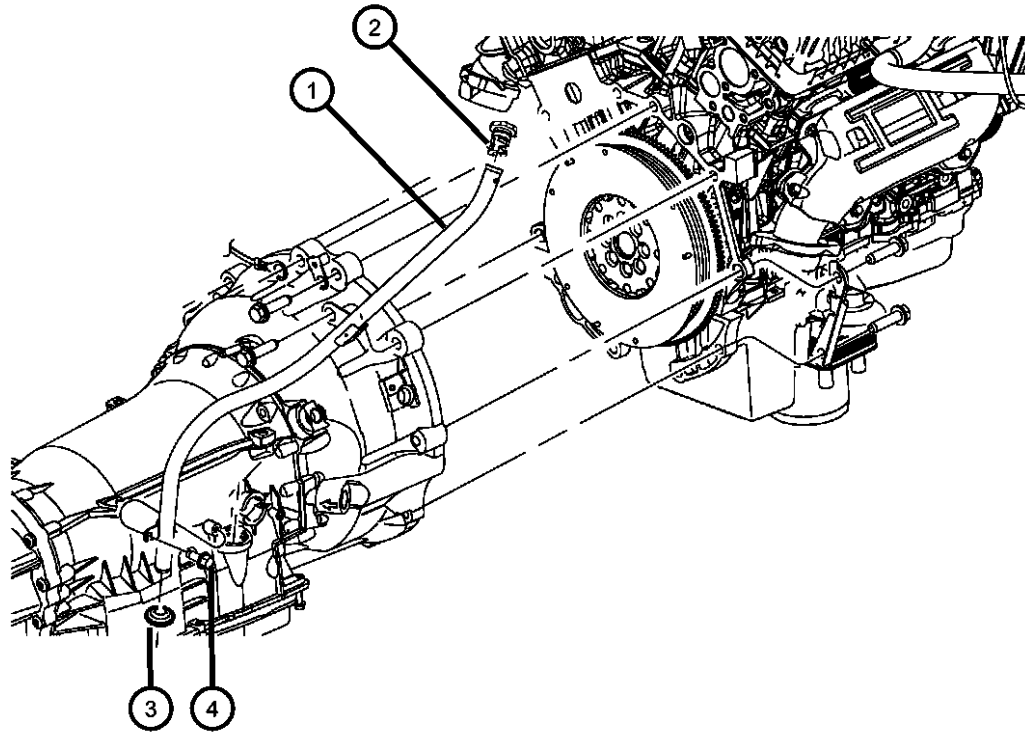
TRANSMISSION
DGQ = 5-Spd Automatic 545RFE
Transmission
DGJ = 5-Speed Auto W5A580
Transmission

AR = use ase required - = Non illustrated part

2011 WK

**Oil Fill Tube And Related Parts
Figure 021DGJ-225**

ITEM	PART NUMBER	QTY	LINE	SERIES	BODY	ENGINE	TRANS	TRIM	DESCRIPTION
1	53034178AB	1	J, T, U			ERB	DGJ		TUBE, Transmission Oil Filler, Includes Item #2 CAP, Oil Filler
2	04591959AA	1	J, T, U			EXF	DGJ		
		1	J, T, U			ERB	DGJ		
3	04810021AB	1	J, U			ERB	DGJ		GROMMET
4	06501979	1	J, T, U				DGJ, DGQ		BOLT, Hex Flange Head, M6X1.00X17.00



GRAND CHEROKEE (WK)

SERIES LINE
H = HIGHLINE T = JEEP - 2WD
P = PREMIUM J = JEEP - 4WD
S = SPORT U = JEEP - 4WD (RHD)

BODY
74 = SPORT UTILITY 4-DR
TYPE #4

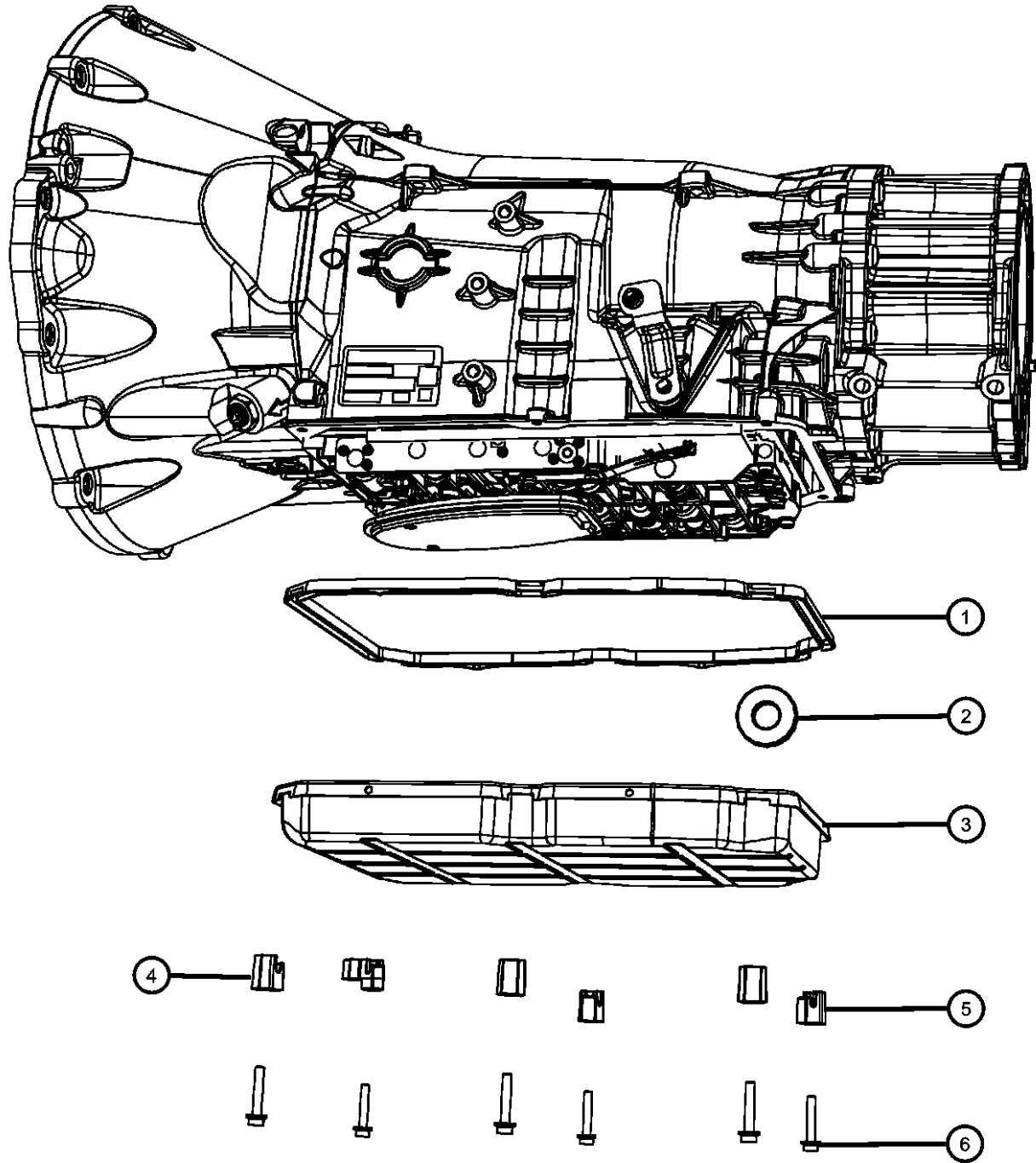
ENGINE
ERB = 3.0L V6 Engine
EZH = 5.7L V8 HEMI MDS
VVT Engine
EXF = 3.0L V6 Turbo Diesel
Engine

TRANSMISSION
DGQ = 5-Spd Automatic 545RFE
Transmission
DGJ = 5-Speed Auto W5A580
Transmission

AR = use ase required - = Non illustrated part

2011 WK

**Oil Pan, Cover And Related Parts
Figure 021DGJ-230**



ITEM	PART NUMBER	QTY	LINE	SERIES	BODY	ENGINE	TRANS	TRIM	DESCRIPTION
1	52108332AA	1	J, U			ERB	DGJ		GASKET, Oil Pan
		1	T			ERB	DGJ		
		1	J, U			EXF	DGJ		
2	03681601	1	J, U			ERB	DGJ		MAGNET, Transmission
		1	T			ERB	DGJ		
		1	J, U			EXF	DGJ		
3	52108327AA	1	T			ERB	DGJ		PAN, Transmission Oil
		1	J, U			EXF	DGJ		
		1	J, U			ERB	DGJ		
4	05080289AA	1	J, U			ERB	DGJ		CLAMP, Oil Pan
		1	T			ERB	DGJ		
		1	J, U			EXF	DGJ		
5	52108334AA	5	J, U			ERB	DGJ		CLAMP, Oil Pan
		5	T			ERB	DGJ		
		5	J, U			EXF	DGJ		
6	52108270AA	6	J, U			ERB	DGJ		BOLT, Torx Head, M6x32
		6	T			ERB	DGJ		
		6	J, U			EXF	DGJ		

GRAND CHEROKEE (WK)

SERIES LINE
H = HIGHLINE T = JEEP - 2WD
P = PREMIUM J = JEEP - 4WD
S = SPORT U = JEEP - 4WD (RHD)

BODY
74 = SPORT UTILITY 4-DR
TYPE #4

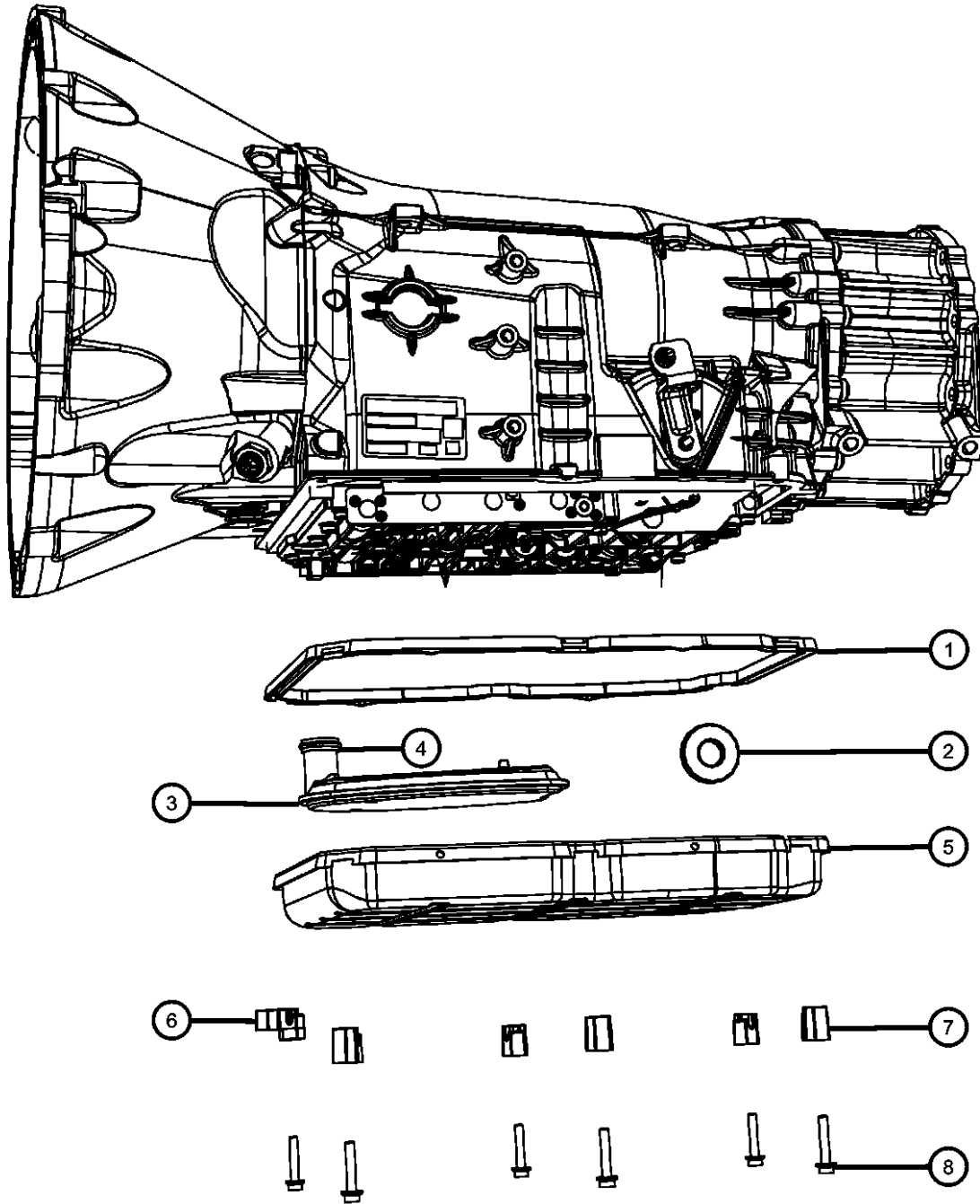
ENGINE
ERB = 3.0L Mid V6 Engine
EZH = 5.7L V8 HEMI MDS
VVT Engine
EXF = 3.0L V6 Turbo Diesel
Engine

TRANSMISSION
DGQ = 5-Spd Automatic 545RFE
Transmission
DGJ = 5-Speed Auto W5A580
Transmission

AR = use ase required - = Non illustrated part

2011 WK

Filters
Figure 021DGJ-235



ITEM	PART NUMBER	QTY	LINE	SERIES	BODY	ENGINE	TRANS	TRIM	DESCRIPTION
1	52108332AA	1	J, U			ERB	DGJ		GASKET, Oil Pan
		1	T			ERB	DGJ		
		1	J, U			EXF	DGJ		
2	03681601	1	J, U			ERB	DGJ		MAGNET, Transmission
		1	T			ERB	DGJ		
		1	J, U			EXF	DGJ		
3	52108325AA	1	T			ERB	DGJ		FILTER, Transmission Oil
		1	J, U			EXF	DGJ		
		1	J, U			ERB	DGJ		
4		1						O RING, (NOT SERVICED)	
5	52108327AA	1	J, U			ERB	DGJ		PAN, Transmission Oil
		1	T			ERB	DGJ		
		1	J, U			EXF	DGJ		
6	05080289AA	1	J, U			ERB	DGJ		CLAMP, Oil Pan
		1	T			ERB	DGJ		
		1	J, U			EXF	DGJ		
7	52108334AA	5	J, U			ERB	DGJ		CLAMP, Oil Pan
		5	T			ERB	DGJ		
		5	J, U			EXF	DGJ		
8	52107934AA	11	T			ERB	DGJ		BOLT, Torx Head, M6x32
		11	J, U			ERB	DGJ		
		11	J, U			EXF	DGJ		

GRAND CHEROKEE (WK)

SERIES LINE
H = HIGHLINE T = JEEP - 2WD
P = PREMIUM J = JEEP - 4WD
S = SPORT U = JEEP - 4WD (RHD)

BODY
74 = SPORT UTILITY 4-DR
TYPE #4

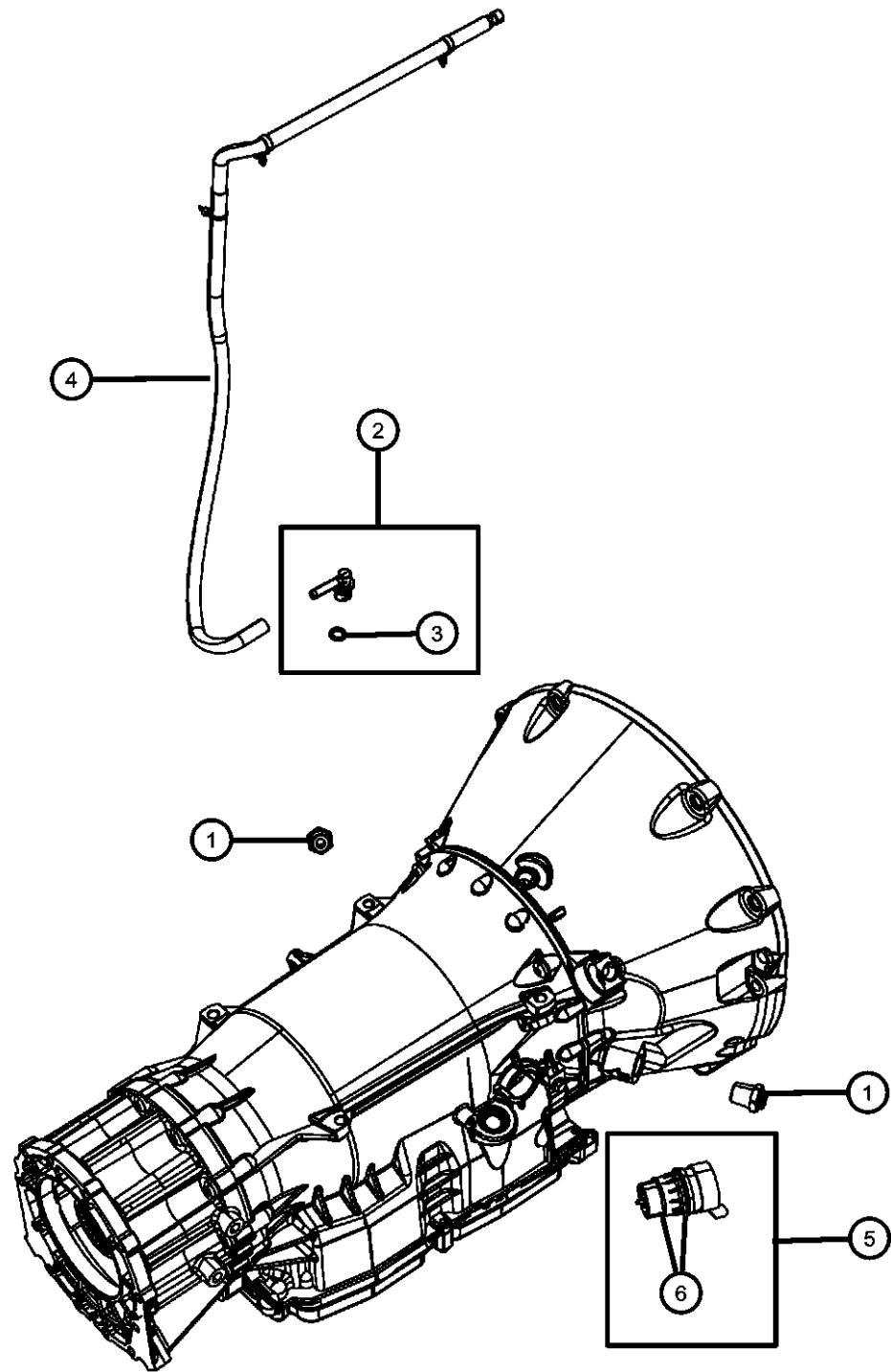
ENGINE
ERB = 3.0L V6 Engine
EZH = 5.7L V8 HEMI MDS
VVT Engine
EXF = 3.0L V6 Turbo Diesel
Engine

TRANSMISSION
DGQ = 5-Spd Automatic 545RFE
Transmission
DGJ = 5-Speed Auto W5A580
Transmission

AR = use ase required - = Non illustrated part

2011 WK

Sensors, Vents And Quick Connectors
Figure 021DGJ-240



ITEM	PART NUMBER	QTY	LINE	SERIES	BODY	ENGINE	TRANS	TRIM	DESCRIPTION
1	52119547AA	2	J, U			ERB	DGJ		FITTING, Quick Connect
		2	T			ERB	DGJ		
		2	J, U			EXF	DGJ		
2	52108397AA	1	J, U			ERB	DGJ		BREATHER, Transmission
		1	T			ERB	DGJ		
		1	J, U			EXF	DGJ		
3	52108399AA	1	J, U			ERB	DGJ		O RING
		1	T			ERB	DGJ		
		1	J, U			EXF	DGJ		
4	68041789AB	1	J, T, U			ERB	DGJ		VENT, Transmission
5	68021352AA	1	J, U			ERB	DGJ		PLUG, Adapter
		1	T			ERB	DGJ		
		1	J, U			EXF	DGJ		
6		1							O RING, Adapter Plug, (NOT SERVICED)

GRAND CHEROKEE (WK)

SERIES LINE
H = HIGHLINE T = JEEP - 2WD
P = PREMIUM J = JEEP - 4WD
S = SPORT U = JEEP - 4WD (RHD)

BODY
74 = SPORT UTILITY 4-DR
TYPE #4

ENGINE
ERB = 3.0L Mid V6 Engine
EZH = 5.7L V8 HEMI MDS
VVT Engine
EXF = 3.0L V6 Turbo Diesel
Engine

TRANSMISSION
DGQ = 5-Spd Automatic 545RFE
Transmission
DGJ = 5-Speed Auto W5A580
Transmission

AR = use ase required - = Non illustrated part

2011 WK

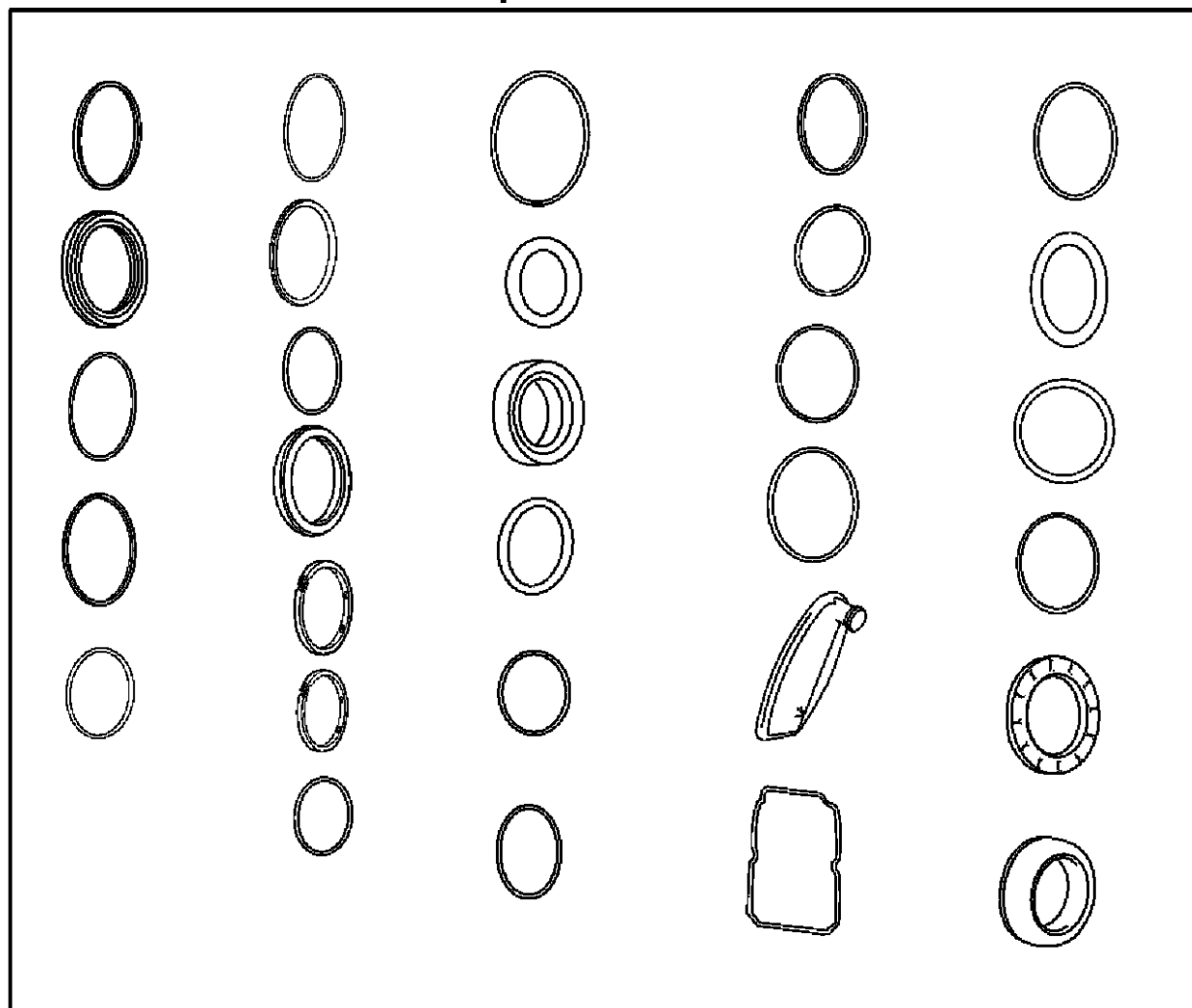
**Seal And Shim Packages
Figure 021DGJ-305**

ITEM	PART NUMBER	QTY	LINE	SERIES	BODY	ENGINE	TRANS	TRIM	DESCRIPTION
------	-------------	-----	------	--------	------	--------	-------	------	-------------

NOTE: PARTS ILLUSTRATED ARE NOT IN SCALE OR IN CORRECT SIZE. THIS IS A GASKET AND SEAL PACKAGE. IT DOES NOT INCLUDE

1	05139580AK	1	T			ERB	DGJ		SEAL AND GASKET PACKAGE, Transmission, See Note:
		1	J, U			ERB	DGJ		

①



GRAND CHEROKEE (WK)

SERIES	LINE
H = HIGHLINE	T = JEEP - 2WD
P = PREMIUM	J = JEEP - 4WD
S = SPORT	U = JEEP - 4WD (RHD)

BODY
74 = SPORT UTILITY 4-DR TYPE #4

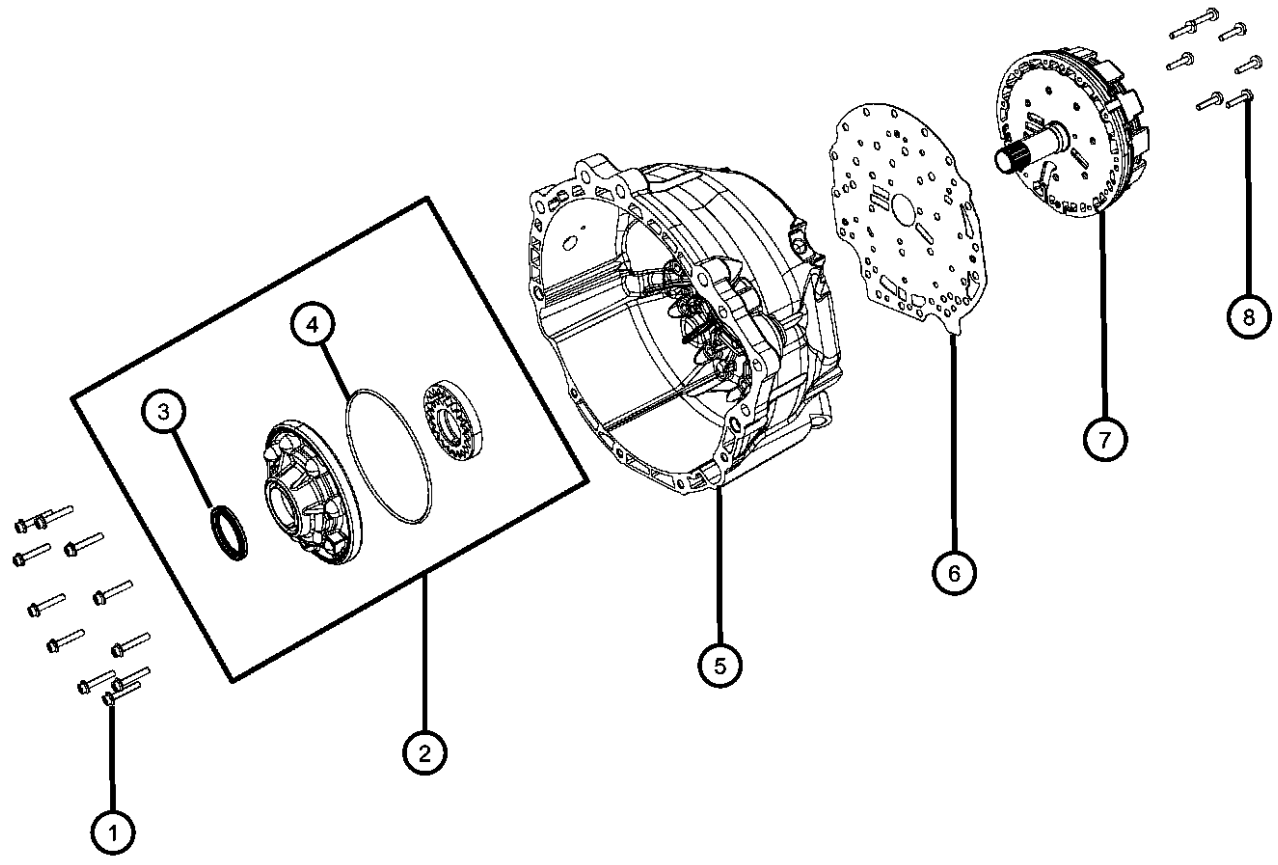
ENGINE
ERB = 3.0L Mid V6 Engine
EZH = 5.7L V8 HEMI MDS VVT Engine
EXF = 3.0L V6 Turbo Diesel Engine

TRANSMISSION
DGQ = 5-Spd Automatic 545RFE Transmission
DGJ = 5-Speed Auto W5A580 Transmission

AR = use ase required - = Non illustrated part

2011 WK

**Oil Pump and Related Parts
Figure 021DGJ-420**



ITEM	PART NUMBER	QTY	LINE	SERIES	BODY	ENGINE	TRANS	TRIM	DESCRIPTION
1	52107934AA	11	T			ERB	DGJ		BOLT, Torx Head, M6x32
		11	J, U			ERB	DGJ		
		11	J, U			EXF	DGJ		
2	05080070AB	1	J, U			EXF	DGJ		PUMP, Transmission Oil
		1	T			ERB	DGJ		
		1	J, U			ERB	DGJ		
3	52108424AA	AR	T			ERB	DGJ		SEAL
		AR	J, U			ERB	DGJ		
		1	J, U			EXF	DGJ		
4	52107900AA	1	T			ERB	DGJ		O RING, Transmission Oil Pump
		1	J, U			ERB	DGJ		
		1	J, U			EXF	DGJ		
5	52108683AA	1	T			ERB	DGJ		HOUSING, Torque Converter
		1	J, U			ERB	DGJ		
		1	J, U			EXF	DGJ		
6	52108147AA	1	T			ERB	DGJ		PLATE, Intermediate
		1	J, U			ERB	DGJ		
		1	J, U			EXF	DGJ		
7	52108505AC	1	T			ERB	DGJ		HOLDING CLUTCH, Outer carrier, B1
		1	J, U			ERB	DGJ		
		1	J, U			EXF	DGJ		
8	52107933AA	7	T			ERB	DGJ		BOLT, Torx Head, M8x35
		7	J, U			ERB	DGJ		
		7	J, U			EXF	DGJ		

GRAND CHEROKEE (WK)

SERIES LINE
H = HIGHLINE T = JEEP - 2WD
P = PREMIUM J = JEEP - 4WD
S = SPORT U = JEEP - 4WD (RHD)

BODY
74 = SPORT UTILITY 4-DR
TYPE #4

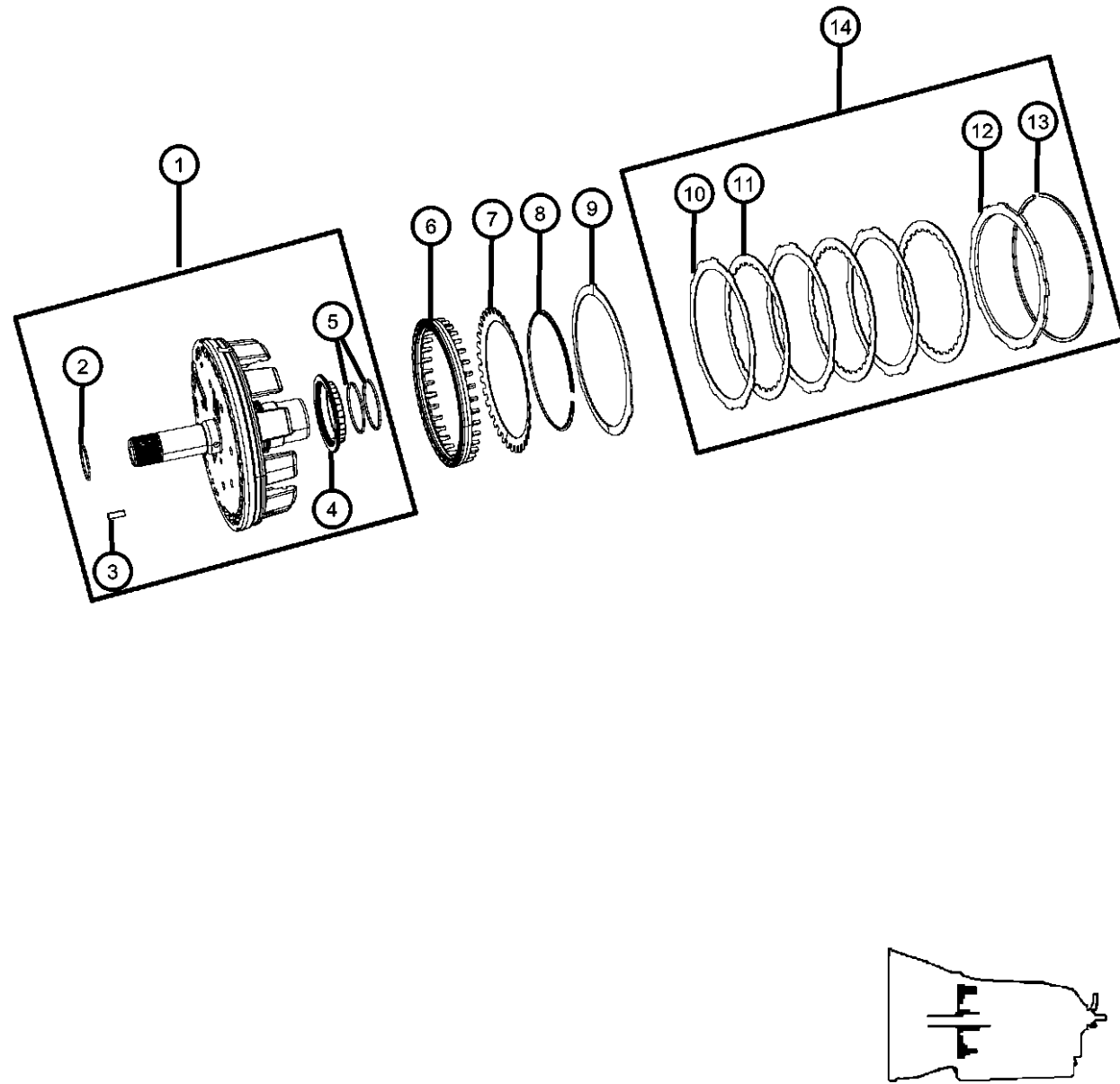
ENGINE
ERB = 3.0L V6 Engine
EZH = 5.7L V8 HEMI MDS
VVT Engine
EXF = 3.0L V6 Turbo Diesel
Engine

TRANSMISSION
DGQ = 5-Spd Automatic 545RFE
Transmission
DGJ = 5-Speed Auto W5A580
Transmission

AR = use ase required - = Non illustrated part

2011 WK

**B1 Brake Clutch
Figure 021DGJ-526**



ITEM	PART NUMBER	QTY	LINE	SERIES	BODY	ENGINE	TRANS	TRIM	DESCRIPTION
1									HOLDING CLUTCH, Outer carrier, B1
	52108505AC	1	T			ERB	DGJ		
		1	J, U			ERB	DGJ		
	52108539AD	1	J, U			EXF	DGJ		
2									SNAP RING
	52107948AA	1	T			ERB	DGJ		
		1	J, U			ERB	DGJ		
		1	J, U			EXF	DGJ		
3									DOWEL
	06507381AA	1	T			ERB	DGJ		
		1	J, U			ERB	DGJ		
		1	J, U			EXF	DGJ		
4		1							BEARING, Needle, (NOT SERVICED)
5									SEAL, Transmission
	52108028AA	2	T			ERB	DGJ		
		2	J, U			ERB	DGJ		
		2	J, U			EXF	DGJ		
6									PISTON, B1 Clutch
	68068969AA	1	T			ERB	DGJ		
		1	J, U			ERB	DGJ		
		1	J, U			EXF	DGJ		
7									SPRING, Piston Return
	52108023AA	1	T			ERB	DGJ		
		1	J, U			ERB	DGJ		
		1	J, U			EXF	DGJ		
8									SNAP RING
	52107936AA	1	T			ERB	DGJ		
		1	J, U			ERB	DGJ		
		1	J, U			EXF	DGJ		
9									DISC, Spring
	52108024AA	1	J, U			ERB	DGJ		
		1	T			ERB	DGJ		
		1	J, U			EXF	DGJ		
10									DISC, Outer

GRAND CHEROKEE (WK)

SERIES LINE
H = HIGHLINE T = JEEP - 2WD
P = PREMIUM J = JEEP - 4WD
S = SPORT U = JEEP - 4WD (RHD)

BODY
74 = SPORT UTILITY 4-DR
TYPE #4

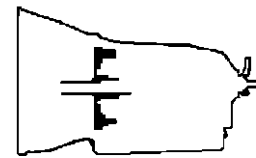
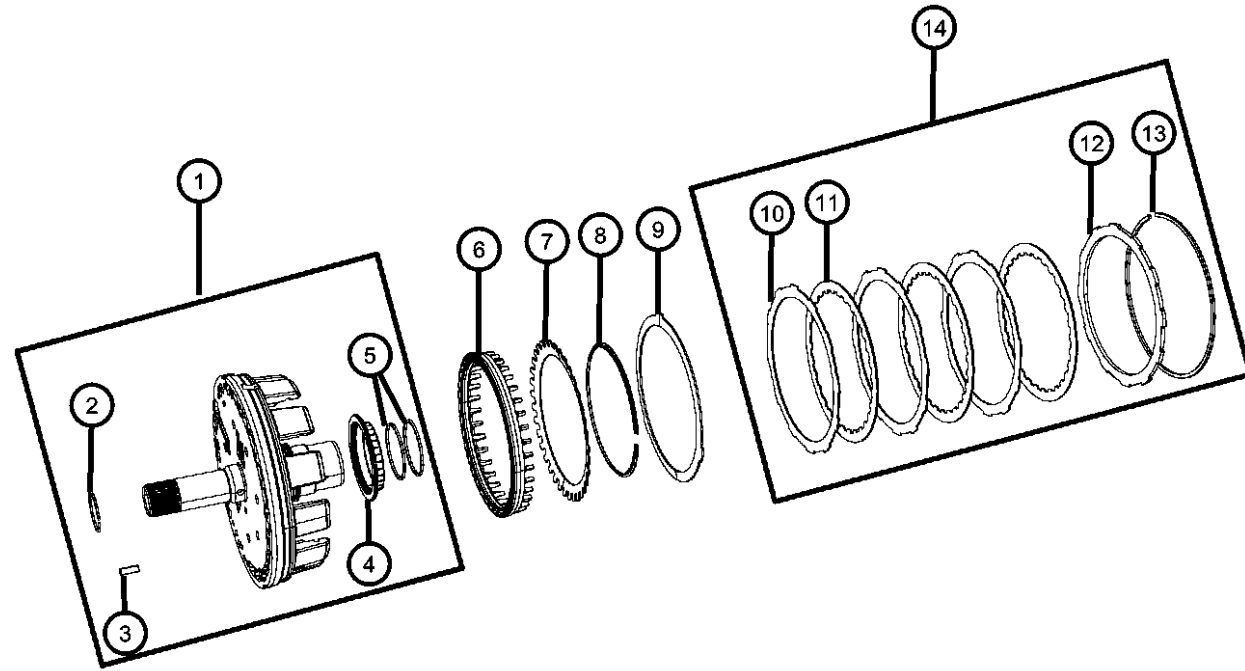
ENGINE
ERB = 3.0L V6 Engine
EZH = 5.7L V8 HEMI MDS
VVT Engine
EXF = 3.0L V6 Turbo Diesel
Engine

TRANSMISSION
DGQ = 5-Spd Automatic 545RFE
Transmission
DGJ = 5-Speed Auto W5A580
Transmission

AR = use ase required - = Non illustrated part

2011 WK

**B1 Brake Clutch
Figure 021DGJ-526**



ITEM	PART NUMBER	QTY	LINE	SERIES	BODY	ENGINE	TRANS	TRIM	DESCRIPTION
	52108508AA	5	J, U			ERB	DGJ		
		5	T			ERB	DGJ		
		4	J, U			EXF	DGJ		
11	52108507AA	5	J, U			ERB	DGJ		DISC, Inner
		5	T			ERB	DGJ		
		4	J, U			EXF	DGJ		
12	68039901AA	1	J, U			ERB	DGJ		PLATE, Transmission Clutch Reaction
		1	T			ERB	DGJ		
		1	J, U			EXF	DGJ		
13	52107949AA	AR	J, U			ERB	DGJ		SNAP RING [2.6MM]
		AR	T			ERB	DGJ		[2.6MM]
		AR	J, U			EXF	DGJ		[2.6MM]
	52107950AA	AR	J, U			ERB	DGJ		[2.9MM]
		AR	T			ERB	DGJ		[2.9MM]
		AR	J, U			EXF	DGJ		[2.9MM]
	52107951AA	AR	J, U			ERB	DGJ		[3.2MM]
		AR	T			ERB	DGJ		[3.2MM]
		AR	J, U			EXF	DGJ		[3.2MM]
	52107952AA	AR	J, U			ERB	DGJ		[3.5MM]
		AR	T			ERB	DGJ		[3.5MM]
		AR	J, U			EXF	DGJ		[3.5MM]
14	68028659AA	1	J, U			EXF	DGJ		CLUTCH PACKAGE, B1 Brake Clutch
	68028666AA	1	T			ERB	DGJ		
		1	J, U			ERB	DGJ		

GRAND CHEROKEE (WK)

SERIES LINE
H = HIGHLINE T = JEEP - 2WD
P = PREMIUM J = JEEP - 4WD
S = SPORT U = JEEP - 4WD (RHD)

BODY
74 = SPORT UTILITY 4-DR TYPE #4

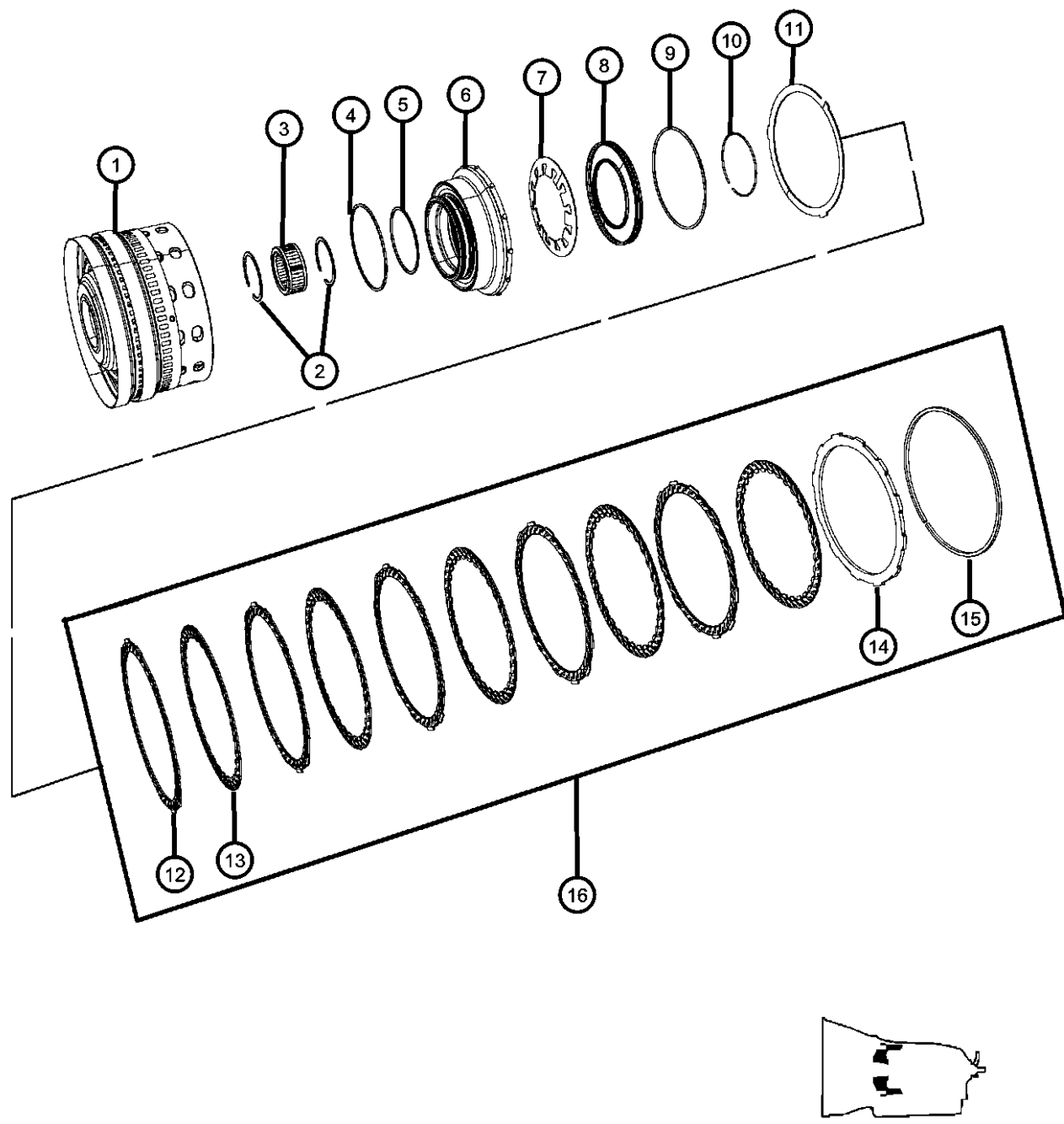
ENGINE
ERB = 3.0L V6 Engine
EZH = 5.7L V8 HEMI MDS VVT Engine
EXF = 3.0L V6 Turbo Diesel Engine

TRANSMISSION
DGQ = 5-Spd Automatic 545RFE Transmission
DGJ = 5-Speed Auto W5A580 Transmission

AR = use ase required - = Non illustrated part

2011 WK

**K1 Clutch Assembly
Figure 021DGJ-527**

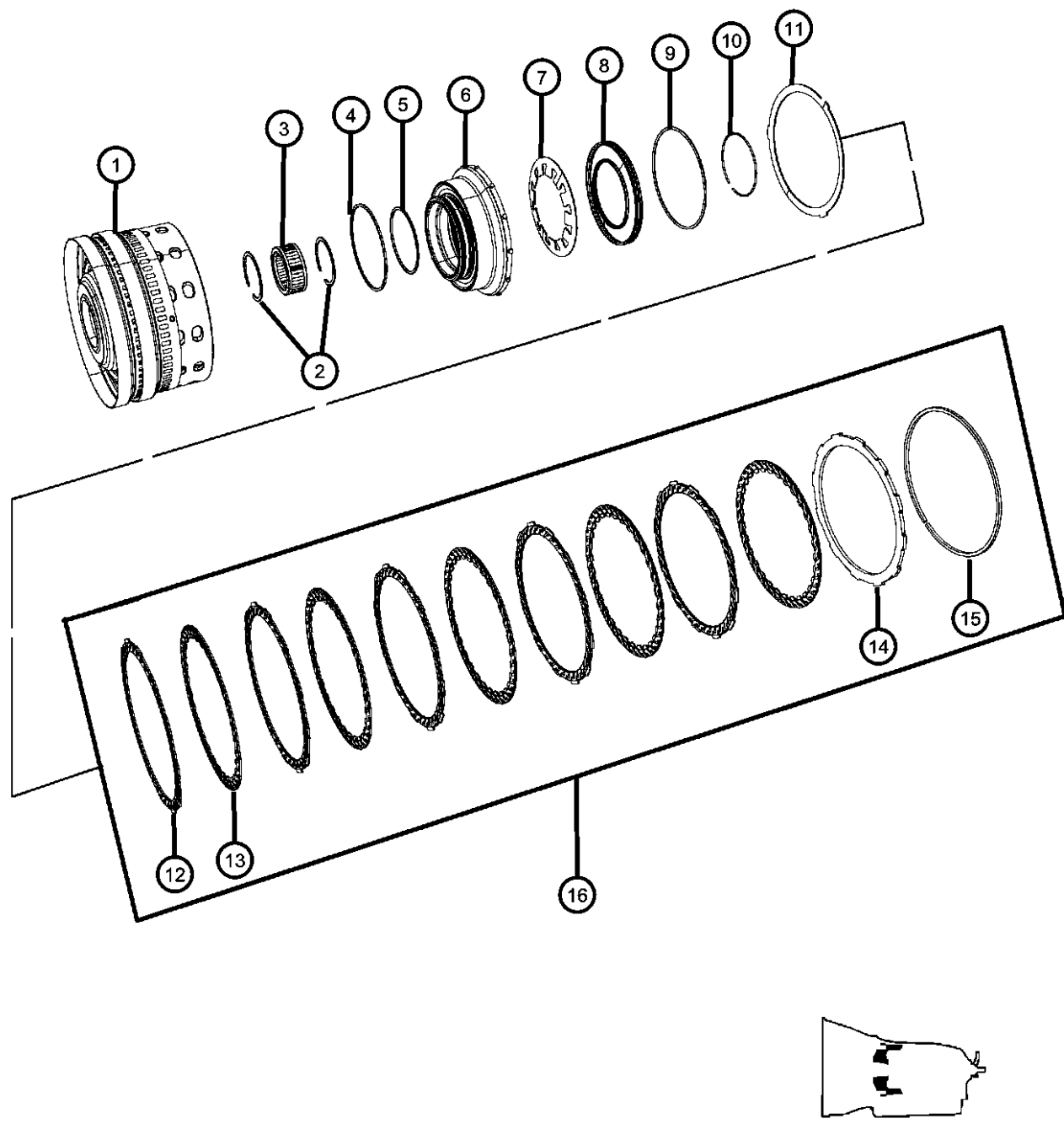


ITEM	PART NUMBER	QTY	LINE	SERIES	BODY	ENGINE	TRANS	TRIM	DESCRIPTION
		1	J, U			EXF	DGJ		
10	52107954AA	1	J, U			ERB	DGJ		SNAP RING
		1	T			ERB	DGJ		
11	52108024AA	1	J, U			EXF	DGJ		DISC, Spring
		1	T			ERB	DGJ		
		1	J, U			EXF	DGJ		
12	52108508AA	5	J, U			ERB	DGJ		DISC, Outer
		5	T			ERB	DGJ		
		4	J, U			EXF	DGJ		
13	52108507AA	5	J, U			ERB	DGJ		DISC, Inner
		5	T			ERB	DGJ		
		4	J, U			EXF	DGJ		
14	68039901AA	1	J, U			ERB	DGJ		PLATE, Transmission Clutch Reaction
		1	T			ERB	DGJ		
		1	J, U			EXF	DGJ		
15	52107949AA	AR	J, U			ERB	DGJ		SNAP RING [2.6MM]
		AR	T			ERB	DGJ		[2.6MM]
		AR	J, U			EXF	DGJ		[2.6MM]
	52107950AA	AR	J, U			ERB	DGJ		[2.9MM]
		AR	T			ERB	DGJ		[2.9MM]
		AR	J, U			EXF	DGJ		[2.9MM]
	52107951AA	AR	J, U			ERB	DGJ		[3.2MM]
		AR	T			ERB	DGJ		[3.2MM]
		AR	J, U			EXF	DGJ		[3.2MM]
	52107952AA	AR	J, U			ERB	DGJ		[3.5MM]
		AR	T			ERB	DGJ		[3.5MM]

GRAND CHEROKEE (WK)
 SERIES LINE BODY ENGINE TRANSMISSION
 H = HIGHLINE T = JEEP - 2WD 74 = SPORT UTILITY 4-DR ERB = 3.XL Mid V6 Engine DGQ = 5-Spd Automatic 545RFE
 P = PREMIUM J = JEEP - 4WD TYPE #4 EZH = 5.7L V8 HEMI MDS Transmission
 S = SPORT U = JEEP - 4WD (RHD) VVT Engine DGJ = 5-Speed Auto W5A580
 EXF = 3.0L V6 Turbo Diesel Engine Transmission

AR = use ase required - = Non illustrated part

K1 Clutch Assembly
Figure 021DGJ-527



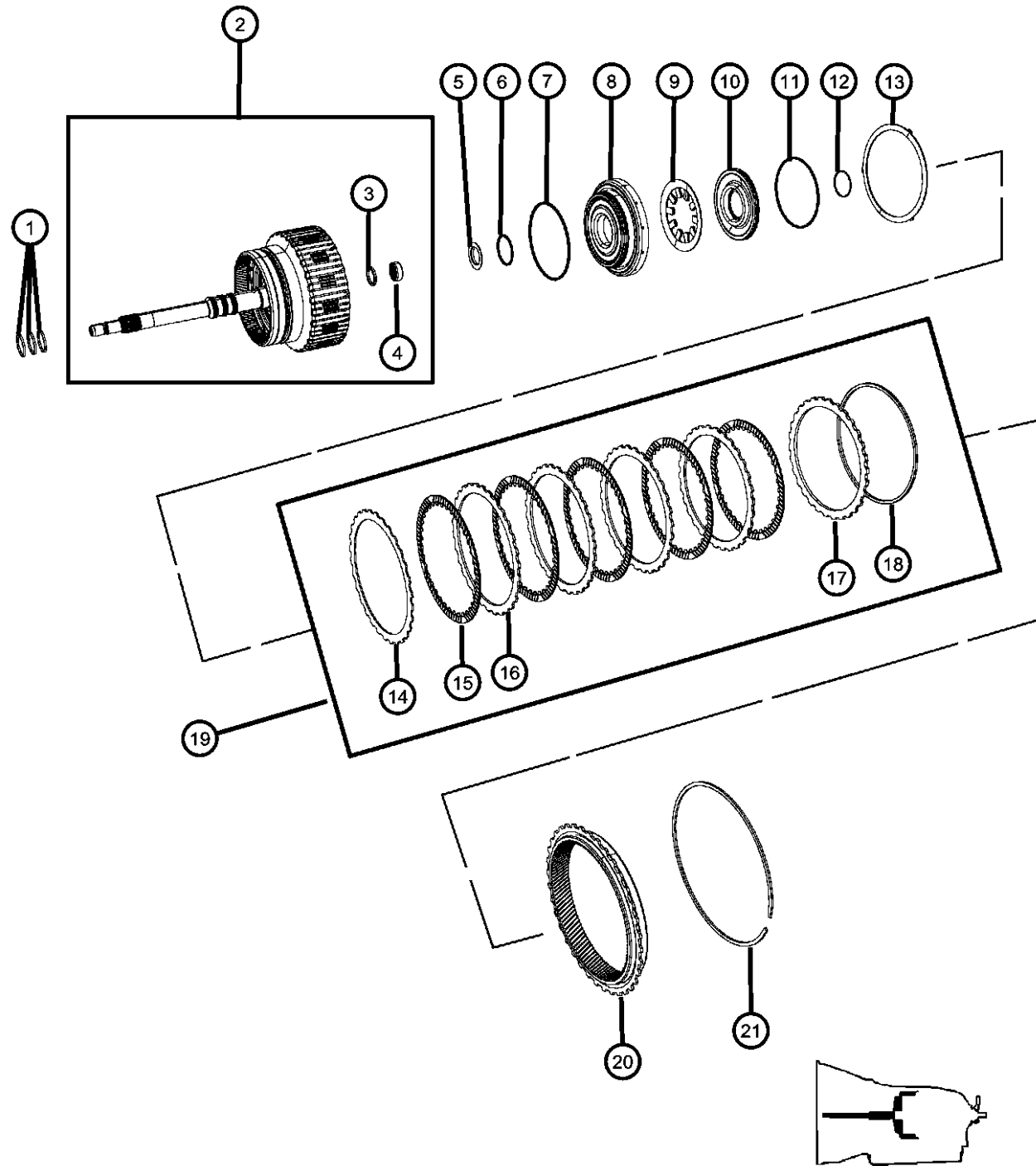
ITEM	PART NUMBER	QTY	LINE	SERIES	BODY	ENGINE	TRANS	TRIM	DESCRIPTION
		AR	J, U			EXF	DGJ		[3.5MM]
	52108373AA	AR	J, U			ERB	DGJ		[3.8MM]
		AR	T			ERB	DGJ		[3.8MM]
		AR	J, U			EXF	DGJ		[3.8MM]
16									CLUTCH PACKAGE, K1 Input Clutch
	68027270AA	1	J, U			EXF	DGJ		
	68028662AA	1	T			ERB	DGJ		
		1	J, U			ERB	DGJ		

GRAND CHEROKEE (WK)

SERIES	LINE	BODY	ENGINE	TRANSMISSION
H = HIGHLINE	T = JEEP - 2WD	74 = SPORT UTILITY 4-DR	ERB = 3.XL Mid V6 Engine	DGQ = 5-Spd Automatic 545RFE
P = PREMIUM	J = JEEP - 4WD	TYPE #4	EZH = 5.7L V8 HEMI MDS	Transmission
S = SPORT	U = JEEP - 4WD (RHD)		VVT Engine	DGJ = 5-Speed Auto W5A580
			EXF = 3.0L V6 Turbo Diesel	Transmission
			Engine	

AR = use ase required - = Non illustrated part

**K2 Clutch Assembly
Figure 021DGJ-528**



ITEM	PART NUMBER	QTY	LINE	SERIES	BODY	ENGINE	TRANS	TRIM	DESCRIPTION
1	05179366AB	3	J, U			ERB	DGJ		SEAL, Transmission
		3	T			ERB	DGJ		
		3	J, U			EXF	DGJ		
2	52108044AA	1	J, U			ERB	DGJ		SHAFT, Input
		1	T			ERB	DGJ		
		1	J, U			EXF	DGJ		
3	52108127AA	1	J, U			ERB	DGJ		SEAL, Transmission
		1	T			ERB	DGJ		
		1	J, U			EXF	DGJ		
4	52108126AA	1	J, U			ERB	DGJ		NEEDLE BEARING
		1	T			ERB	DGJ		
		1	J, U			EXF	DGJ		
5	52107928AA	1	J, U			ERB	DGJ		RETAINER, Bearing
		1	T			ERB	DGJ		
		1	J, U			EXF	DGJ		
6	52108134AA	1	J, U			ERB	DGJ		SEAL, Transmission
		1	T			ERB	DGJ		
		1	J, U			EXF	DGJ		
7	52108135AA	1	J, U			ERB	DGJ		SEAL, Input Shaft
		1	T			ERB	DGJ		
		1	J, U			EXF	DGJ		
8	52108136AA	1	J, U			EXF	DGJ		PISTON, K2 Clutch
		1	J, U			ERB	DGJ		
		1	T			ERB	DGJ		
9	52108137AA	1	J, U			ERB	DGJ		SPRING, Piston Return
		1	T			ERB	DGJ		

GRAND CHEROKEE (WK)

SERIES LINE
H = HIGHLINE T = JEEP - 2WD
P = PREMIUM J = JEEP - 4WD
S = SPORT U = JEEP - 4WD (RHD)

BODY
74 = SPORT UTILITY 4-DR
TYPE #4

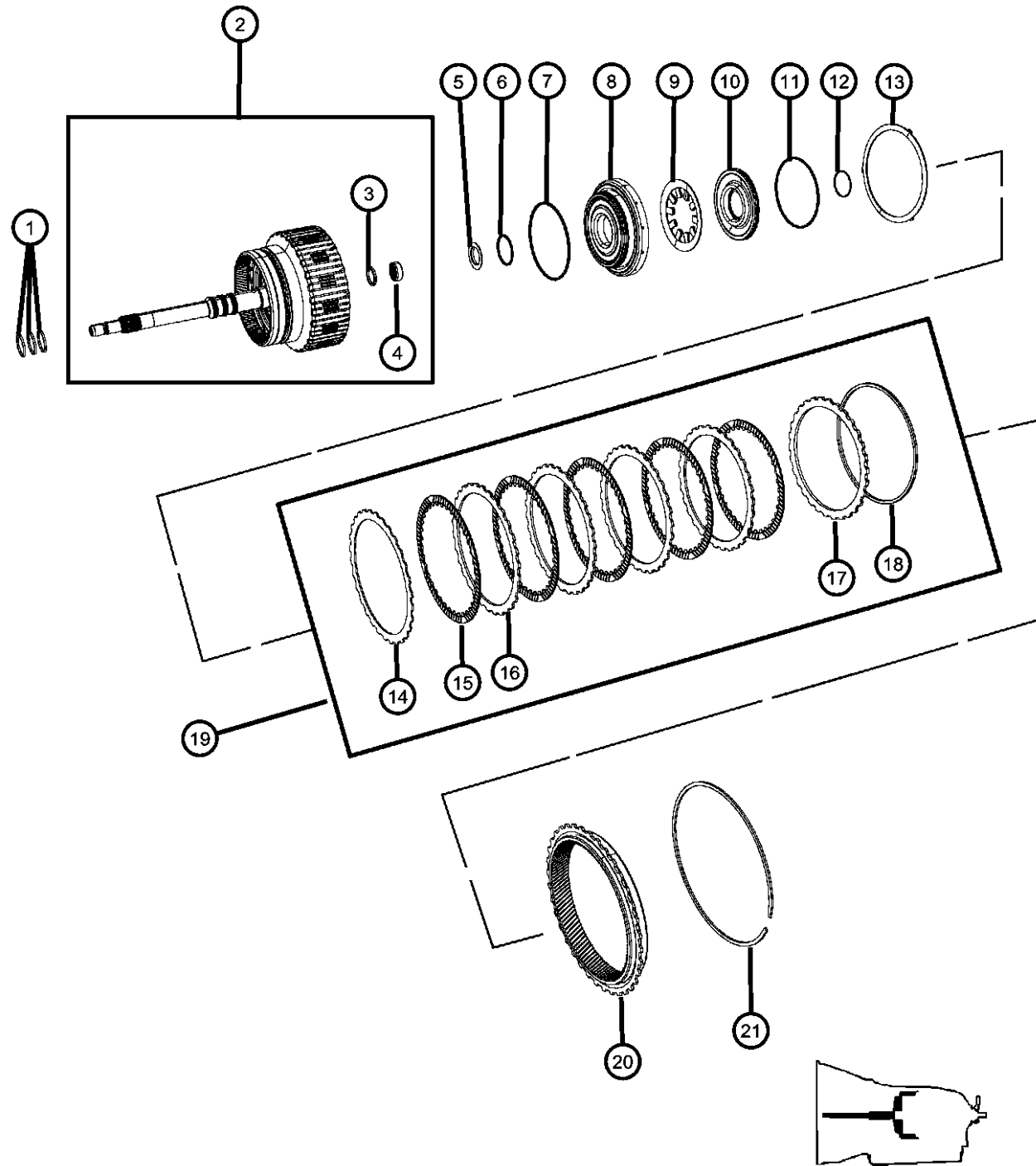
ENGINE
ERB = 3.0L V6 Engine
EZH = 5.7L V8 HEMI MDS
VVT Engine
EXF = 3.0L V6 Turbo Diesel
Engine

TRANSMISSION
DGQ = 5-Spd Automatic 545RFE
Transmission
DGJ = 5-Speed Auto W5A580
Transmission

AR = use ase required - = Non illustrated part

2011 WK

K2 Clutch Assembly
Figure 021DGJ-528



ITEM	PART NUMBER	QTY	LINE	SERIES	BODY	ENGINE	TRANS	TRIM	DESCRIPTION
10		1	J, U			EXF	DGJ		RETAINER, Spring
	52108138AB	1	J, U			ERB	DGJ		
		1	T			ERB	DGJ		
		1	J, U			EXF	DGJ		
11		1	J, U			ERB	DGJ		O RING
	52108140AA	1	J, U			ERB	DGJ		
		1	T			ERB	DGJ		
		1	J, U			EXF	DGJ		
12		1	J, U			ERB	DGJ		SNAP RING
	52108533AA	1	J, U			ERB	DGJ		
		1	T			ERB	DGJ		
		1	J, U			EXF	DGJ		
13		1	J, U			ERB	DGJ		DISC, Spring
	52108346AA	1	J, U			ERB	DGJ		
		1	T			ERB	DGJ		
		1	J, U			EXF	DGJ		
14		1	J, U			ERB	DGJ		DISC, Outer
	52107996AA	1	J, U			ERB	DGJ		
		1	T			ERB	DGJ		
		1	J, U			EXF	DGJ		
15		5	J, U			ERB	DGJ		DISC, Inner
	52108141AB	5	J, U			ERB	DGJ		
		5	T			ERB	DGJ		
		6	J, U			EXF	DGJ		
16		4	J, U			ERB	DGJ		DISC, Outer
	52107997AA	4	J, U			ERB	DGJ		
		4	T			ERB	DGJ		
		5	J, U			EXF	DGJ		
17		1	J, U			ERB	DGJ		DISC, Outer
	52107998AA	1	J, U			ERB	DGJ		
		1	T			ERB	DGJ		
		1	J, U			EXF	DGJ		
18		1	J, U			EXF	DGJ		SNAP RING

GRAND CHEROKEE (WK)

SERIES LINE
H = HIGHLINE T = JEEP - 2WD
P = PREMIUM J = JEEP - 4WD
S = SPORT U = JEEP - 4WD (RHD)

BODY
74 = SPORT UTILITY 4-DR
TYPE #4

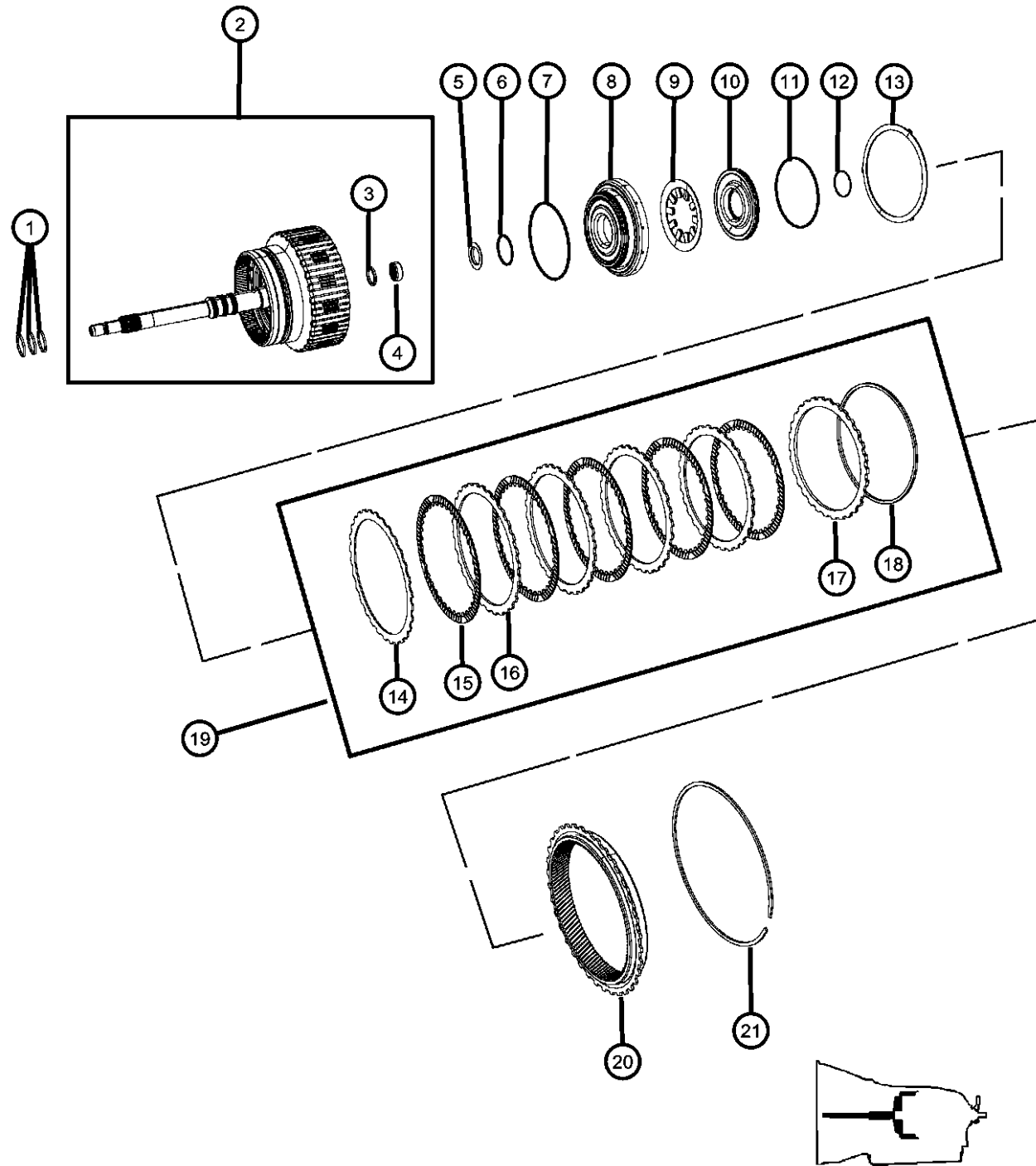
ENGINE
ERB = 3.0L Mid V6 Engine
EZH = 5.7L V8 HEMI MDS
VVT Engine
EXF = 3.0L V6 Turbo Diesel
Engine

TRANSMISSION
DGQ = 5-Spd Automatic 545RFE
Transmission
DGJ = 5-Speed Auto W5A580
Transmission

AR = use ase required - = Non illustrated part

2011 WK

**K2 Clutch Assembly
Figure 021DGJ-528**



ITEM	PART NUMBER	QTY	LINE	SERIES	BODY	ENGINE	TRANS	TRIM	DESCRIPTION
	52107958AA	AR	J, U			ERB	DGJ		[2.3 MM]
		AR	T			ERB	DGJ		[2.3 MM]
		AR	J, U			EXF	DGJ		[2.3 MM]
	52107959AA	AR	J, U			ERB	DGJ		[2.6 MM]
		AR	T			ERB	DGJ		[2.6 MM]
		AR	J, U			EXF	DGJ		[2.6 MM]
	52107960AA	AR	J, U			ERB	DGJ		[2.9 MM]
		AR	T			ERB	DGJ		[2.9 MM]
		AR	J, U			EXF	DGJ		[2.9 MM]
	52107961AA	AR	J, U			ERB	DGJ		[3.2 MM]
		AR	T			ERB	DGJ		[3.2 MM]
		AR	J, U			EXF	DGJ		[3.2 MM]
	52107962AA	AR	J, U			ERB	DGJ		[3.5 MM]
		AR	T			ERB	DGJ		[3.5 MM]
		AR	J, U			EXF	DGJ		[3.5 MM]
19									CLUTCH PACKAGE, K2 Input Clutch
	68028565AA	1	J, U			EXF	DGJ		
	68028663AA	1	T			ERB	DGJ		
		1	J, U			ERB	DGJ		
20									GEAR, Rear Annulus
	52107922AA	1	J, U			ERB	DGJ		
		1	T			ERB	DGJ		
		1	J, U			EXF	DGJ		
21									SNAP RING
	52107926AA	1	J, U			ERB	DGJ		
		1	T			ERB	DGJ		
		1	J, U			EXF	DGJ		

GRAND CHEROKEE (WK)

SERIES LINE
H = HIGHLINE T = JEEP - 2WD
P = PREMIUM J = JEEP - 4WD
S = SPORT U = JEEP - 4WD (RHD)

BODY
74 = SPORT UTILITY 4-DR
TYPE #4

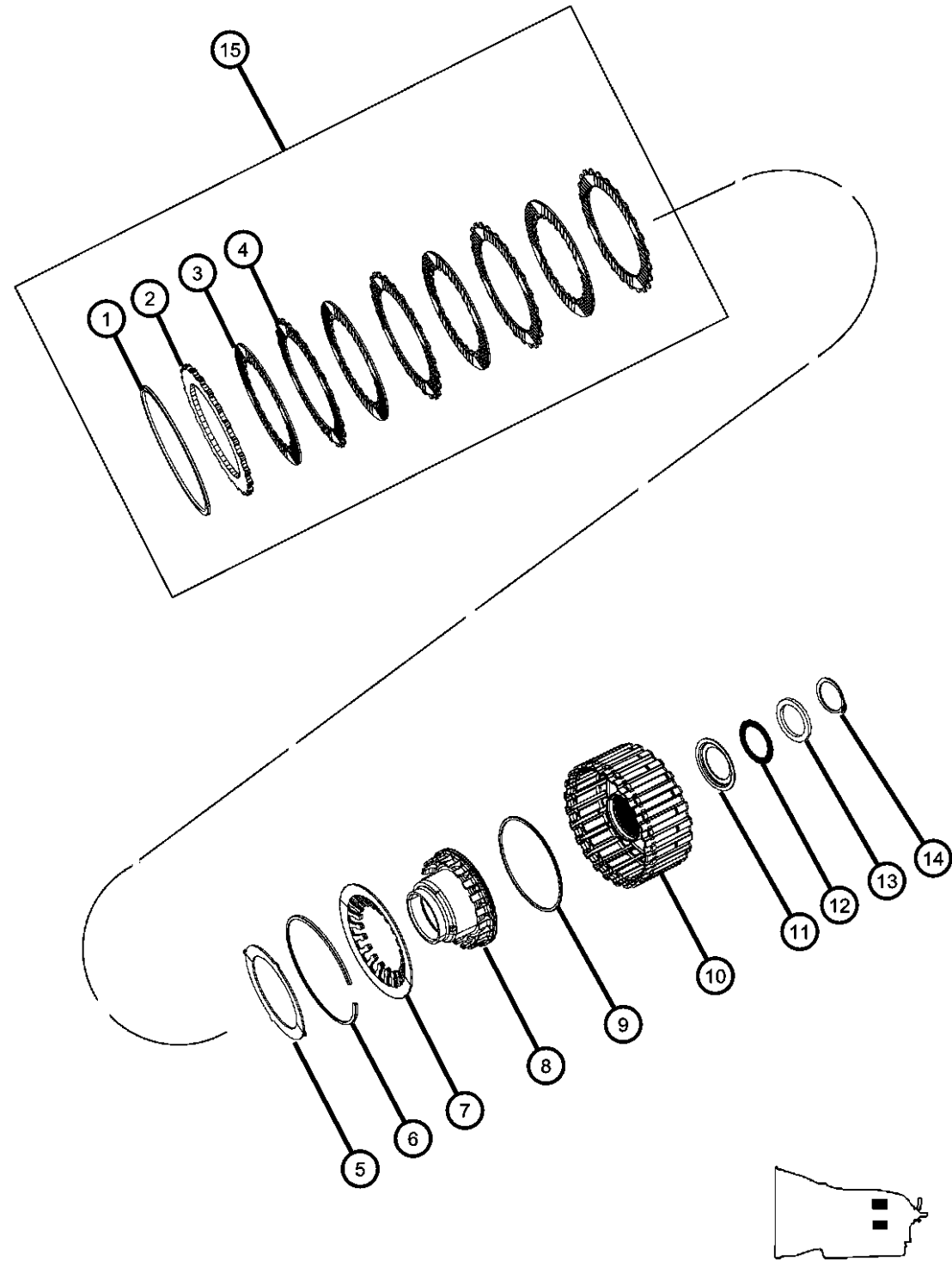
ENGINE
ERB = 3.0L V6 Engine
EZH = 5.7L V8 HEMI MDS
VVT Engine
EXF = 3.0L V6 Turbo Diesel
Engine

TRANSMISSION
DGQ = 5-Spd Automatic 545RFE
Transmission
DGJ = 5-Speed Auto W5A580
Transmission

AR = use ase required - = Non illustrated part

2011 WK

**K3 Clutch Assembly
Figure 021DGJ-529**



ITEM	PART NUMBER	QTY	LINE	SERIES	BODY	ENGINE	TRANS	TRIM	DESCRIPTION	
1	52107970AA	AR	J, U			ERB	DGJ		SNAP RING	
			T			ERB	DGJ		[2.3 MM]	
		AR	J, U			EXF	DGJ		[2.3 MM]	
			J, U			ERB	DGJ		[2.6 MM]	
		AR	T			ERB	DGJ		[2.6 MM]	
			J, U			EXF	DGJ		[2.6 MM]	
		52107972AA	AR	J, U			ERB	DGJ		[2.9 MM]
				T			ERB	DGJ		[2.9 MM]
		52107974AA	AR	J, U			EXF	DGJ		[2.9 MM]
				T			ERB	DGJ		[2.0 MM]
		AR	J, U			ERB	DGJ		[2.0 MM]	
			J, U			EXF	DGJ		[2.0 MM]	
2	52108011AA	1	J, U			ERB	DGJ		DISC, Outer	
			T			ERB	DGJ			
			J, U			EXF	DGJ			
3	52108528AA	4	J, U			ERB	DGJ		DISC, Inner	
			T			ERB	DGJ			
			J, U			EXF	DGJ			
4	52108529AA	4	J, U			ERB	DGJ		DISC, Outer	
			T			ERB	DGJ			
			J, U			EXF	DGJ			
5	52108096AA	1	J, U			ERB	DGJ		DISC, Spring	
			T			ERB	DGJ			
			J, U			EXF	DGJ			
6	52107968AA	1	J, U			ERB	DGJ		SNAP RING	
			T			ERB	DGJ			
			J, U			EXF	DGJ			
7	52108095AA	1	J, U			ERB	DGJ		SPRING, Piston Return	

GRAND CHEROKEE (WK)

SERIES LINE
H = HIGHLINE T = JEEP - 2WD
P = PREMIUM J = JEEP - 4WD
S = SPORT U = JEEP - 4WD (RHD)

BODY
74 = SPORT UTILITY 4-DR
TYPE #4

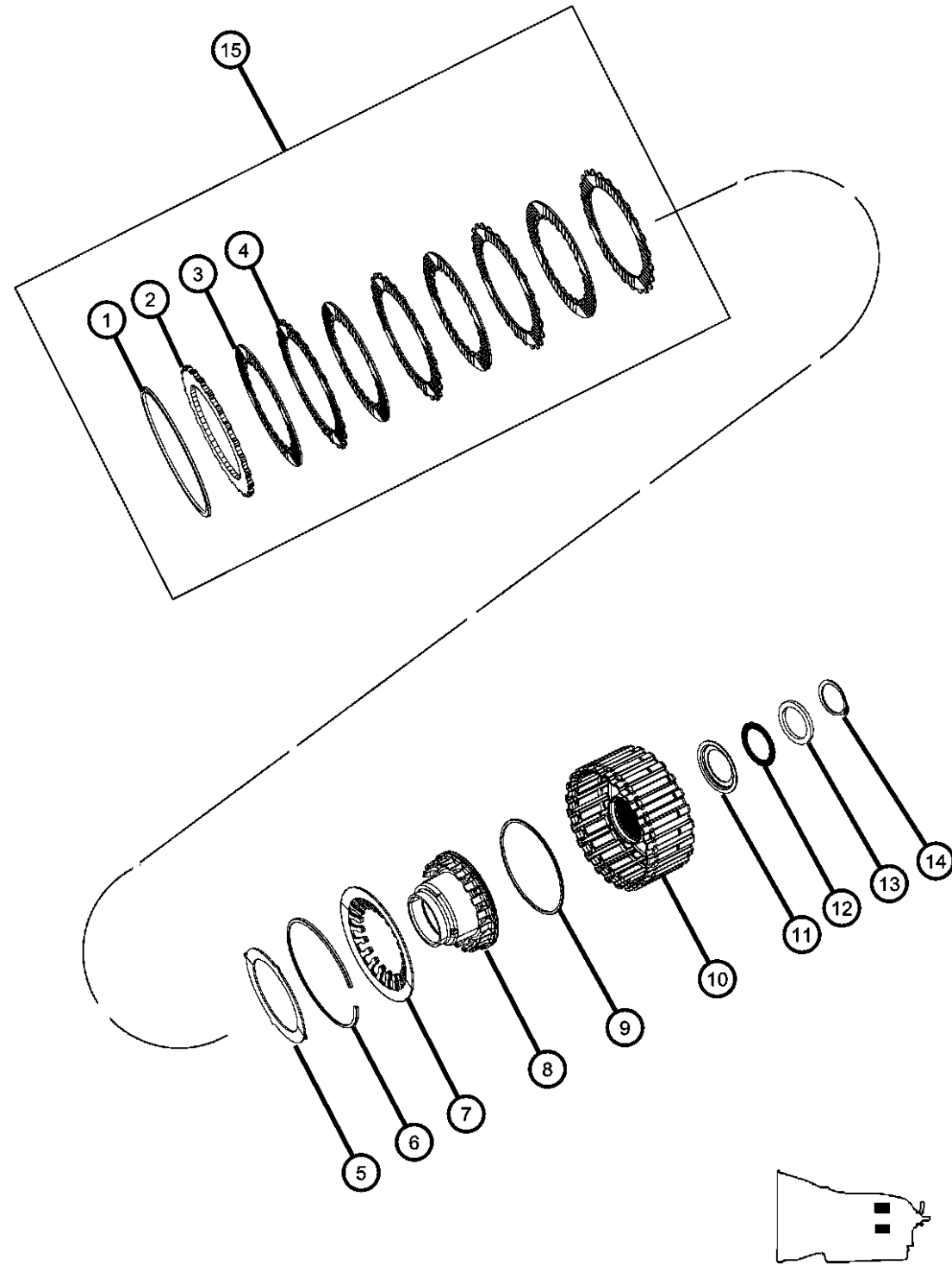
ENGINE
ERB = 3.0L V6 Engine
EZH = 5.7L V8 HEMI MDS
VVT Engine
EXF = 3.0L V6 Turbo Diesel
Engine

TRANSMISSION
DGQ = 5-Spd Automatic 545RFE
Transmission
DGJ = 5-Speed Auto W5A580
Transmission

AR = use ase required - = Non illustrated part

2011 WK

**K3 Clutch Assembly
Figure 021DGJ-529**



ITEM	PART NUMBER	QTY	LINE	SERIES	BODY	ENGINE	TRANS	TRIM	DESCRIPTION
		1	T			ERB	DGJ		
		1	J, U			EXF	DGJ		
8	52108094AA	1	J, U			ERB	DGJ		PISTON, K3 Clutch
		1	T			ERB	DGJ		
		1	J, U			EXF	DGJ		
9	52108093AA	1	J, U			ERB	DGJ		SEAL, Transmission
		1	T			ERB	DGJ		
		1	J, U			EXF	DGJ		
10	52108524AA	1	J, U			ERB	DGJ		RETAINER, K3 Clutch
		1	T			ERB	DGJ		
	52108548AB	1	J, U			EXF	DGJ		
11	52108148AA	1	J, U			ERB	DGJ		RETAINER, Bearing
		1	T			ERB	DGJ		
		1	J, U			EXF	DGJ		
12	52108152AA	1	J, U			ERB	DGJ		NEEDLE BEARING
		1	T			ERB	DGJ		
		1	J, U			EXF	DGJ		
13	52108149AA	AR	J, U			ERB	DGJ		SPACER [3.7 MM]
		AR	T			ERB	DGJ		[3.7 MM]
		AR	J, U			EXF	DGJ		[3.7 MM]
	52108150AA	AR	J, U			ERB	DGJ		[3.1 MM]
		AR	T			ERB	DGJ		[3.1 MM]
		AR	J, U			EXF	DGJ		[3.1 MM]
	52108151AA	AR	J, U			ERB	DGJ		[3.4 MM]
		AR	T			ERB	DGJ		[3.4 MM]
		AR	J, U			EXF	DGJ		[3.4 MM]
14	06507358AA	1	J, U			ERB	DGJ		SNAP RING, M35x2.5x1.5

GRAND CHEROKEE (WK)

SERIES LINE
H = HIGHLINE T = JEEP - 2WD
P = PREMIUM J = JEEP - 4WD
S = SPORT U = JEEP - 4WD (RHD)

BODY
74 = SPORT UTILITY 4-DR
TYPE #4

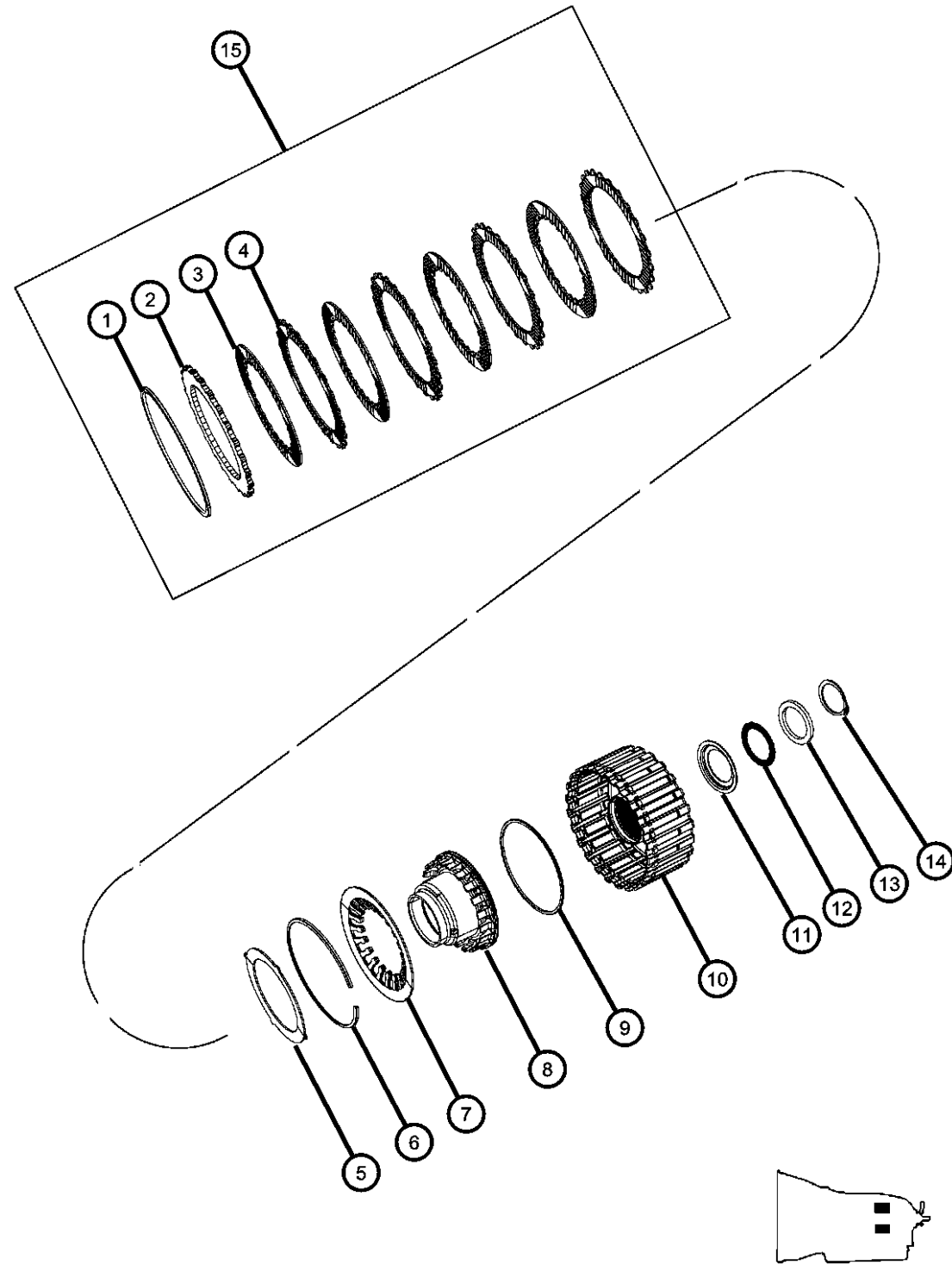
ENGINE
ERB = 3.0L V6 Engine
EZH = 5.7L V8 HEMI MDS
VVT Engine
EXF = 3.0L V6 Turbo Diesel
Engine

TRANSMISSION
DGQ = 5-Spd Automatic 545RFE
Transmission
DGJ = 5-Speed Auto W5A580
Transmission

AR = use ase required - = Non illustrated part

2011 WK

**K3 Clutch Assembly
Figure 021DGJ-529**



ITEM	PART NUMBER	QTY	LINE	SERIES	BODY	ENGINE	TRANS	TRIM	DESCRIPTION
15		1	T			ERB	DGJ		CLUTCH PACKAGE, K3 Input Clutch
		1	J, U			EXF	DGJ		
	68028572AA	1	J, U			EXF	DGJ		
	68028665AA	1	T			ERB	DGJ		
		1	J, U			ERB	DGJ		

GRAND CHEROKEE (WK)

SERIES LINE
H = HIGHLINE T = JEEP - 2WD
P = PREMIUM J = JEEP - 4WD
S = SPORT U = JEEP - 4WD (RHD)

BODY
74 = SPORT UTILITY 4-DR
TYPE #4

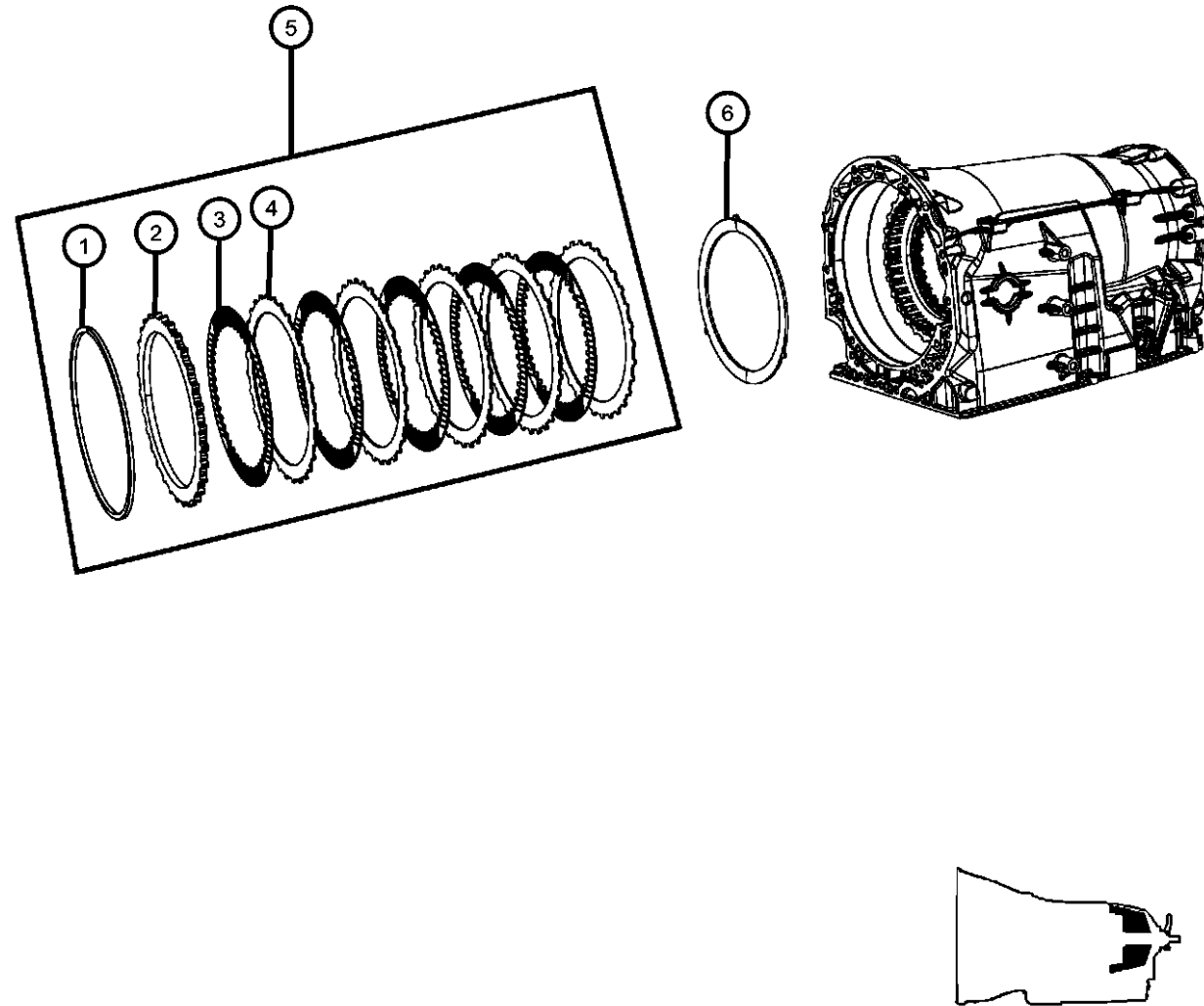
ENGINE
ERB = 3.0L V6 Engine
EZH = 5.7L V8 HEMI MDS
VVT Engine
EXF = 3.0L V6 Turbo Diesel
Engine

TRANSMISSION
DGQ = 5-Spd Automatic 545RFE
Transmission
DGJ = 5-Speed Auto W5A580
Transmission

AR = use ase required - = Non illustrated part

2011 WK

**B3 Clutch Assembly
Figure 021DGJ-530**



ITEM	PART NUMBER	QTY	LINE	SERIES	BODY	ENGINE	TRANS	TRIM	DESCRIPTION
1	52107985AA	AR	J, U			ERB	DGJ		SNAP RING [3.2 MM]
		AR	T			ERB	DGJ		[3.2 MM]
		AR	J, U			EXF	DGJ		[3.2 MM]
	52107986AA	AR	J, U			ERB	DGJ		[3.5 MM]
		AR	T			ERB	DGJ		[3.5 MM]
		AR	J, U			EXF	DGJ		[3.5 MM]
	52107987AA	AR	J, U			ERB	DGJ		[3.8 MM]
		AR	T			ERB	DGJ		[3.8 MM]
		AR	J, U			EXF	DGJ		[3.8 MM]
	52107988AA	AR	J, U			ERB	DGJ		[4.1 MM]
		AR	T			ERB	DGJ		[4.1 MM]
		AR	J, U			EXF	DGJ		[4.1 MM]
	52107989AA	AR	J, U			ERB	DGJ		[4.4 MM]
		AR	T			ERB	DGJ		[4.4 MM]
		AR	J, U			EXF	DGJ		[4.4 MM]
	52107990AA	AR	J, U			ERB	DGJ		[4.8 MM]
		AR	T			ERB	DGJ		[4.8 MM]
		AR	J, U			EXF	DGJ		[4.8 MM]
2	52108018AA	1	J, U			ERB	DGJ		DISC, Outer
		1	T			ERB	DGJ		
		1	J, U			EXF	DGJ		
3	52108573AA	5	J, U			ERB	DGJ		DISC, Inner
		5	T			ERB	DGJ		
		5	J, U			EXF	DGJ		
4	52108017AA	5	J, U			ERB	DGJ		DISC, Outer
		5	T			ERB	DGJ		
		5	J, U			EXF	DGJ		
5	68028661AA	1	J, U			EXF	DGJ		CLUTCH PACKAGE, B3 Brake Clutch Stack Up
		1	J, U			ERB	DGJ		

GRAND CHEROKEE (WK)

SERIES LINE
H = HIGHLINE T = JEEP - 2WD
P = PREMIUM J = JEEP - 4WD
S = SPORT U = JEEP - 4WD (RHD)

BODY
74 = SPORT UTILITY 4-DR
TYPE #4

ENGINE
ERB = 3.0L V6 Engine
EZH = 5.7L V8 HEMI MDS
VVT Engine
EXF = 3.0L V6 Turbo Diesel
Engine

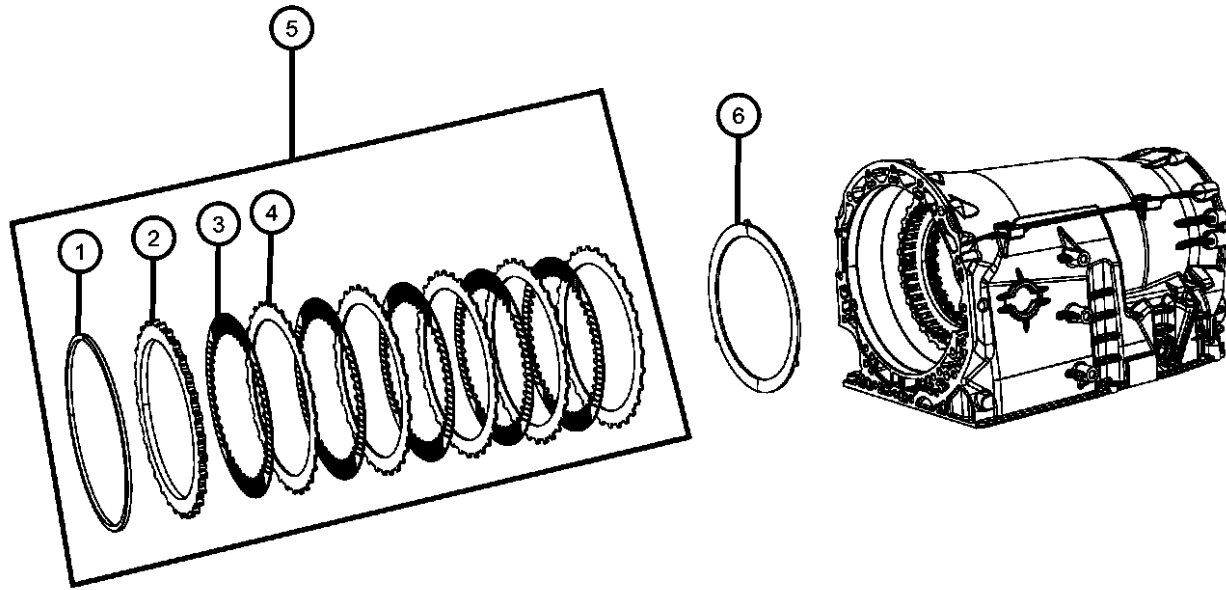
TRANSMISSION
DGQ = 5-Spd Automatic 545RFE
Transmission
DGJ = 5-Speed Auto W5A580
Transmission

AR = use ase required - = Non illustrated part

2011 WK

**B3 Clutch Assembly
Figure 021DGJ-530**

ITEM	PART NUMBER	QTY	LINE	SERIES	BODY	ENGINE	TRANS	TRIM	DESCRIPTION
6		1	T			ERB	DGJ		DISC, Spring
	52108356AA	1	J, U			ERB	DGJ		
		1	T			ERB	DGJ		
		1	J, U			EXF	DGJ		



GRAND CHEROKEE (WK)

SERIES LINE
H = HIGHLINE T = JEEP - 2WD
P = PREMIUM J = JEEP - 4WD
S = SPORT U = JEEP - 4WD (RHD)

BODY
74 = SPORT UTILITY 4-DR
TYPE #4

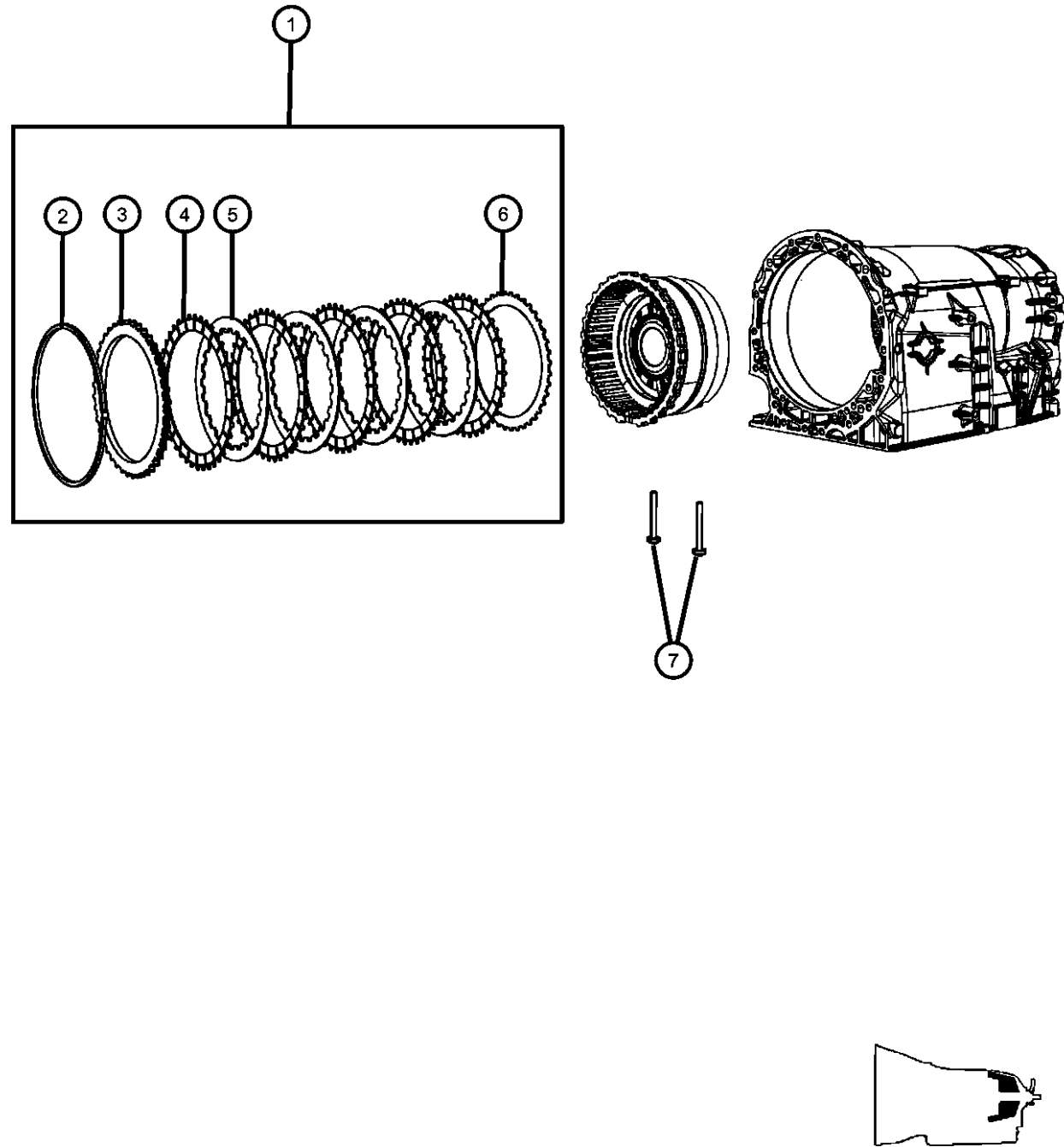
ENGINE
ERB = 3.0L Mid V6 Engine
EZH = 5.7L V8 HEMI MDS
VVT Engine
EXF = 3.0L V6 Turbo Diesel
Engine

TRANSMISSION
DGQ = 5-Spd Automatic 545RFE
Transmission
DGJ = 5-Speed Auto W5A580
Transmission

AR = use ase required - = Non illustrated part

2011 WK

B2 Clutch Assembly
Figure 021DGJ-531



ITEM	PART NUMBER	QTY	LINE	SERIES	BODY	ENGINE	TRANS	TRIM	DESCRIPTION
1									CLUTCH PACKAGE, B2 Brake Clutch Stack Up
	68028660AA	1	J, U			EXF	DGJ		
	68028667AA	1	T			ERB	DGJ		
		1	J, U			ERB	DGJ		
2									SNAP RING
	52107979AA	1	J, U			ERB	DGJ		[4.1 MM]
		1	T			ERB	DGJ		[4.1 MM]
		1	J, U			EXF	DGJ		[4.1 MM]
	52107980AA	1	J, U			ERB	DGJ		[3.8 MM]
		1	T			ERB	DGJ		[3.8 MM]
		1	J, U			EXF	DGJ		[3.8 MM]
	52107981AA	1	J, U			ERB	DGJ		[3.5 MM]
		1	T			ERB	DGJ		[3.5 MM]
		1	J, U			EXF	DGJ		[3.5 MM]
	52107982AA	1	J, U			ERB	DGJ		[3.2 MM]
		1	T			ERB	DGJ		[3.2 MM]
		1	J, U			EXF	DGJ		[3.2 MM]
	52107983AA	1	J, U			ERB	DGJ		[2.9 MM]
		1	T			ERB	DGJ		[2.9 MM]
		1	J, U			EXF	DGJ		[2.9 MM]
3									DISC, Outer
	52108014AA	1	J, U			ERB	DGJ		
		1	T			ERB	DGJ		
		1	J, U			EXF	DGJ		
4									DISC, Outer
	68058315AA	5	J, U			ERB	DGJ		
		5	T			ERB	DGJ		
		5	J, U			EXF	DGJ		
5									DISC, Inner
	52108015AA	4	J, U			ERB	DGJ		
		4	T			ERB	DGJ		
		4	J, U			EXF	DGJ		
6									DISC, Outer
	52108013AA	1	J, U			ERB	DGJ		

GRAND CHEROKEE (WK)

SERIES LINE
H = HIGHLINE T = JEEP - 2WD
P = PREMIUM J = JEEP - 4WD
S = SPORT U = JEEP - 4WD (RHD)

BODY
74 = SPORT UTILITY 4-DR
TYPE #4

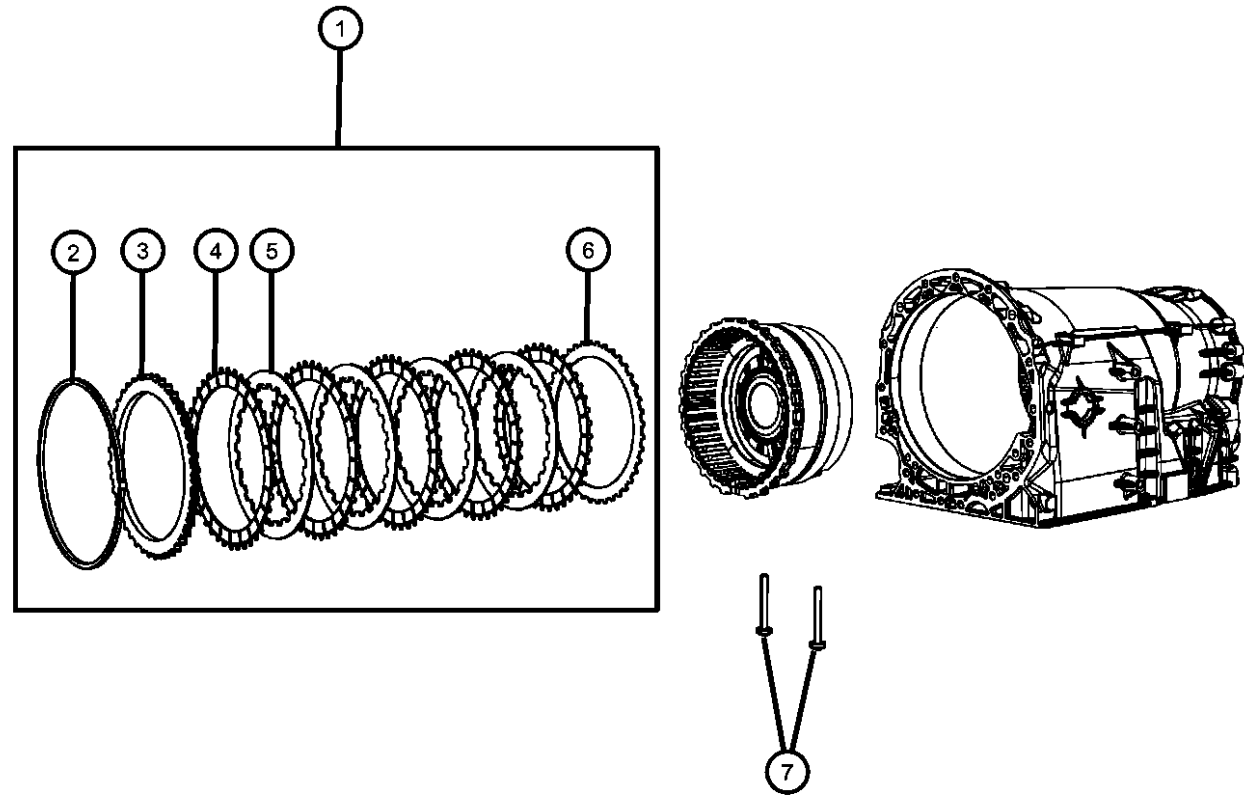
ENGINE
ERB = 3.0L V6 Engine
EZH = 5.7L V8 HEMI MDS
VVT Engine
EXF = 3.0L V6 Turbo Diesel
Engine

TRANSMISSION
DGQ = 5-Spd Automatic 545RFE
Transmission
DGJ = 5-Speed Auto W5A580
Transmission

AR = use ase required - = Non illustrated part

2011 WK

B2 Clutch Assembly
Figure 021DGJ-531



ITEM	PART NUMBER	QTY	LINE	SERIES	BODY	ENGINE	TRANS	TRIM	DESCRIPTION
		1	T			ERB	DGJ		
		1	J, U			EXF	DGJ		
7	52108205AA	2	J, U			ERB	DGJ		BOLT, Torx Head, M8x60
		2	T			ERB	DGJ		
		2	J, U			EXF	DGJ		



GRAND CHEROKEE (WK)

SERIES LINE
H = HIGHLINE T = JEEP - 2WD
P = PREMIUM J = JEEP - 4WD
S = SPORT U = JEEP - 4WD (RHD)

BODY
74 = SPORT UTILITY 4-DR
TYPE #4

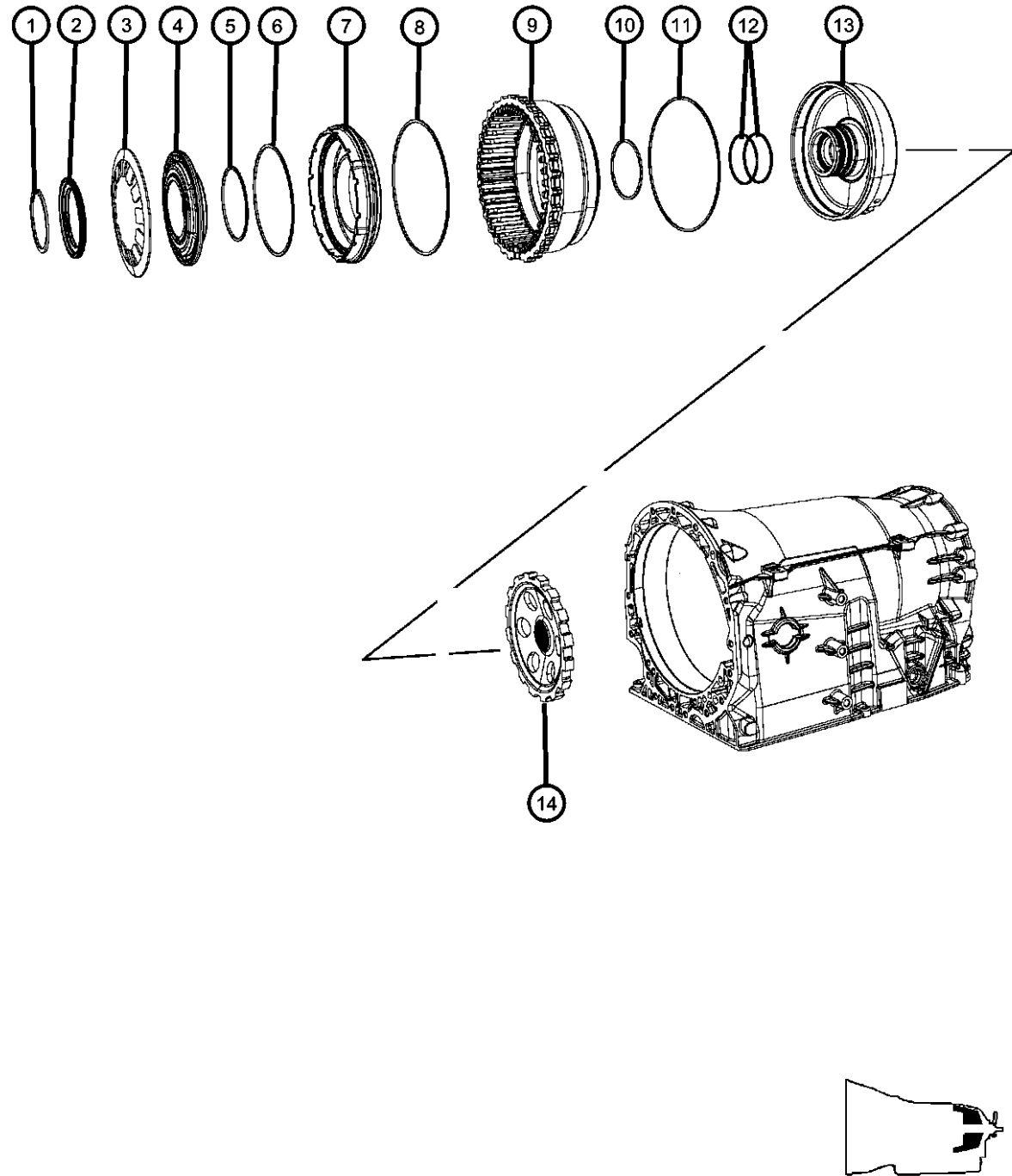
ENGINE
ERB = 3.0L Mid V6 Engine
EZH = 5.7L V8 HEMI MDS
VVT Engine
EXF = 3.0L V6 Turbo Diesel
Engine

TRANSMISSION
DGQ = 5-Spd Automatic 545RFE
Transmission
DGJ = 5-Speed Auto W5A580
Transmission

AR = use ase required - = Non illustrated part

2011 WK

**B2 Clutch Assembly
Figure 021DGJ-532**



ITEM	PART NUMBER	QTY	LINE	SERIES	BODY	ENGINE	TRANS	TRIM	DESCRIPTION
1	52107977AA	1	J, U			ERB	DGJ		SNAP RING
		1	T			ERB	DGJ		
		1	J, U			EXF	DGJ		
2	52108203AA	1	J, U			ERB	DGJ		RETAINER, Spring
		1	T			ERB	DGJ		
		1	J, U			EXF	DGJ		
3	52108202AA	1	J, U			ERB	DGJ		SPRING, Piston Return
		1	T			ERB	DGJ		
		1	J, U			EXF	DGJ		
4	52108351AA	1	J, U			ERB	DGJ		RING ASSEMBLY, Piston guide
		1	T			ERB	DGJ		
		1	J, U			EXF	DGJ		
5	52108201AA	1	J, U			ERB	DGJ		SEAL, Transmission
		1	T			ERB	DGJ		
		1	J, U			EXF	DGJ		
6	52108200AA	1	J, U			ERB	DGJ		SEAL, Transmission
		1	T			ERB	DGJ		
		1	J, U			EXF	DGJ		
7	52108191AA	1	J, U			ERB	DGJ		PISTON, B2 Clutch
		1	T			ERB	DGJ		
		1	J, U			EXF	DGJ		
8	52108199AA	1	J, U			ERB	DGJ		SEAL, Transmission
		1	T			ERB	DGJ		
		1	J, U			EXF	DGJ		
9	52108395AA	1	J, U			ERB	DGJ		RETAINER, Clutch
		1	T			ERB	DGJ		

GRAND CHEROKEE (WK)

SERIES LINE
H = HIGHLINE T = JEEP - 2WD
P = PREMIUM J = JEEP - 4WD
S = SPORT U = JEEP - 4WD (RHD)

BODY
74 = SPORT UTILITY 4-DR
TYPE #4

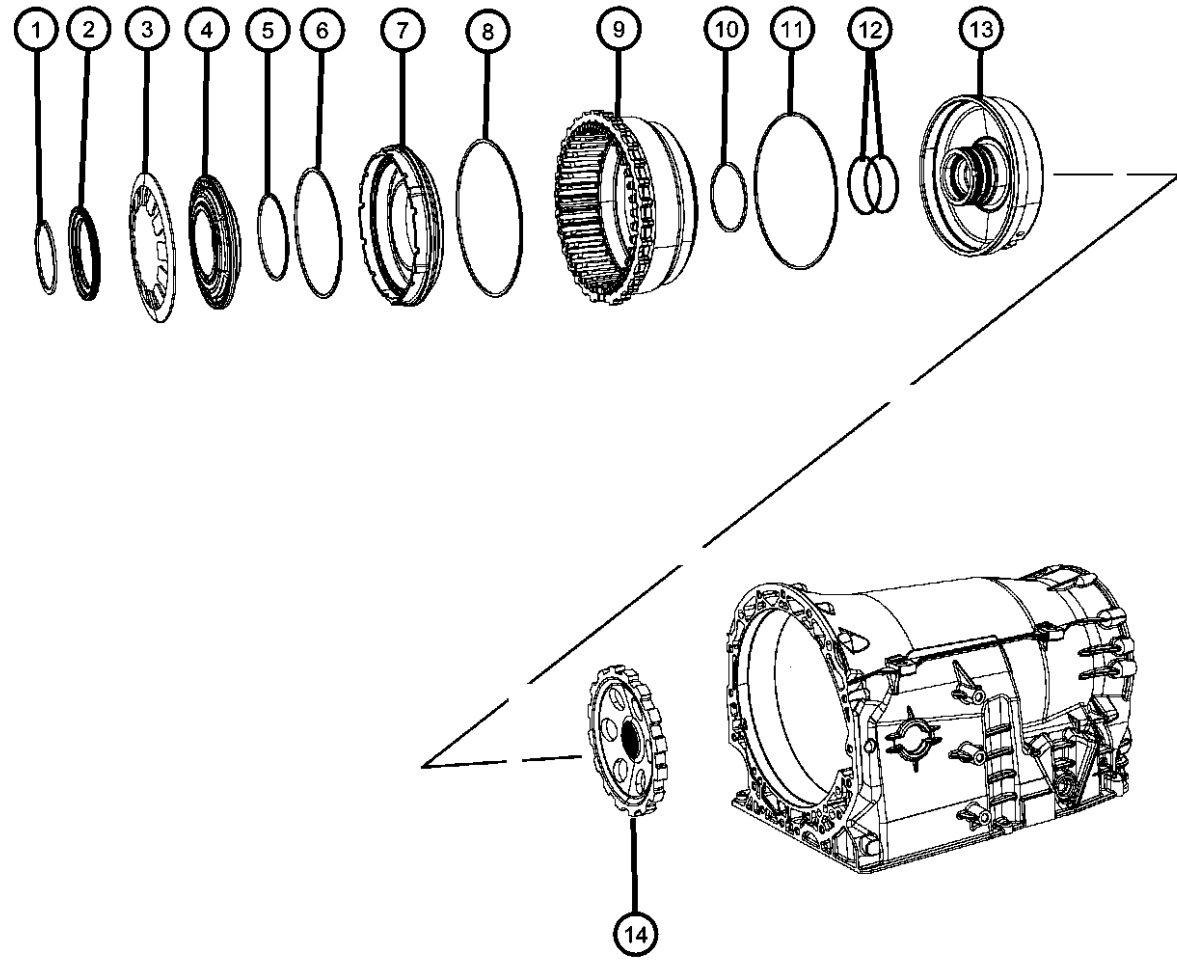
ENGINE
ERB = 3.XL Mid V6 Engine
EZH = 5.7L V8 HEMI MDS
VVT Engine
EXF = 3.0L V6 Turbo Diesel
Engine

TRANSMISSION
DGQ = 5-Spd Automatic 545RFE
Transmission
DGJ = 5-Speed Auto W5A580
Transmission

AR = use ase required - = Non illustrated part

2011 WK

**B2 Clutch Assembly
Figure 021DGJ-532**



ITEM	PART NUMBER	QTY	LINE	SERIES	BODY	ENGINE	TRANS	TRIM	DESCRIPTION
10		1	J, U			EXF	DGJ		SEAL, Transmission
	52108189AA	1	J, U			ERB	DGJ		
		1	T			ERB	DGJ		
		1	J, U			EXF	DGJ		
11									SEAL, Transmission
	52108188AA	1	J, U			ERB	DGJ		
		1	T			ERB	DGJ		
		1	J, U			EXF	DGJ		
12									O RING
	52108185AA	2	J, U			ERB	DGJ		
		2	T			ERB	DGJ		
		2	J, U			EXF	DGJ		
13									PLUNGER
	52108182AA	1	J, U			ERB	DGJ		
		1	T			ERB	DGJ		
		1	J, U			EXF	DGJ		
14									SPRAG, Transmission Parking
	52108180AA	1	J, U			ERB	DGJ		
		1	T			ERB	DGJ		
		1	J, U			EXF	DGJ		



GRAND CHEROKEE (WK)

SERIES LINE
H = HIGHLINE T = JEEP - 2WD
P = PREMIUM J = JEEP - 4WD
S = SPORT U = JEEP - 4WD (RHD)

BODY
74 = SPORT UTILITY 4-DR
TYPE #4

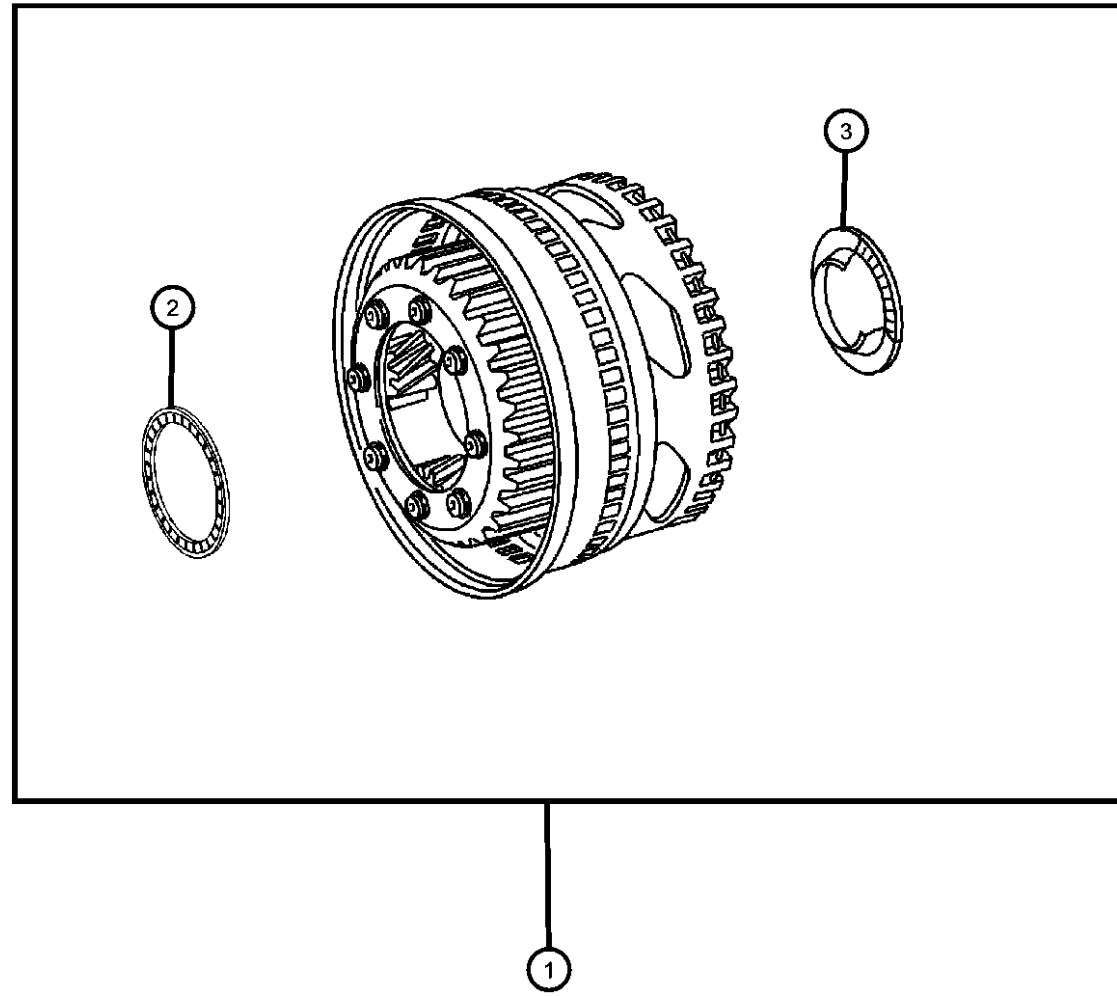
ENGINE
ERB = 3.0L Mid V6 Engine
EZH = 5.7L V8 HEMI MDS
VVT Engine
EXF = 3.0L V6 Turbo Diesel
Engine

TRANSMISSION
DGQ = 5-Spd Automatic 545RFE
Transmission
DGJ = 5-Speed Auto W5A580
Transmission

AR = use ase required - = Non illustrated part

2011 WK

Front Planetary Carrier
Figure 021DGJ-611



ITEM	PART NUMBER	QTY	LINE	SERIES	BODY	ENGINE	TRANS	TRIM	DESCRIPTION
1	52108513AA	1	J, U			ERB	DGJ		CARRIER, Planetary
		1	T			ERB	DGJ		
		1	J, U			EXF	DGJ		
2	52108122AA	1	J, U			ERB	DGJ		NEEDLE BEARING
		1	T			ERB	DGJ		
		1	J, U			EXF	DGJ		
3	52108123AA	1	J, U			ERB	DGJ		NEEDLE BEARING
		1	T			ERB	DGJ		
		1	J, U			EXF	DGJ		



GRAND CHEROKEE (WK)

SERIES LINE
H = HIGHLINE T = JEEP - 2WD
P = PREMIUM J = JEEP - 4WD
S = SPORT U = JEEP - 4WD (RHD)

BODY
74 = SPORT UTILITY 4-DR
TYPE #4

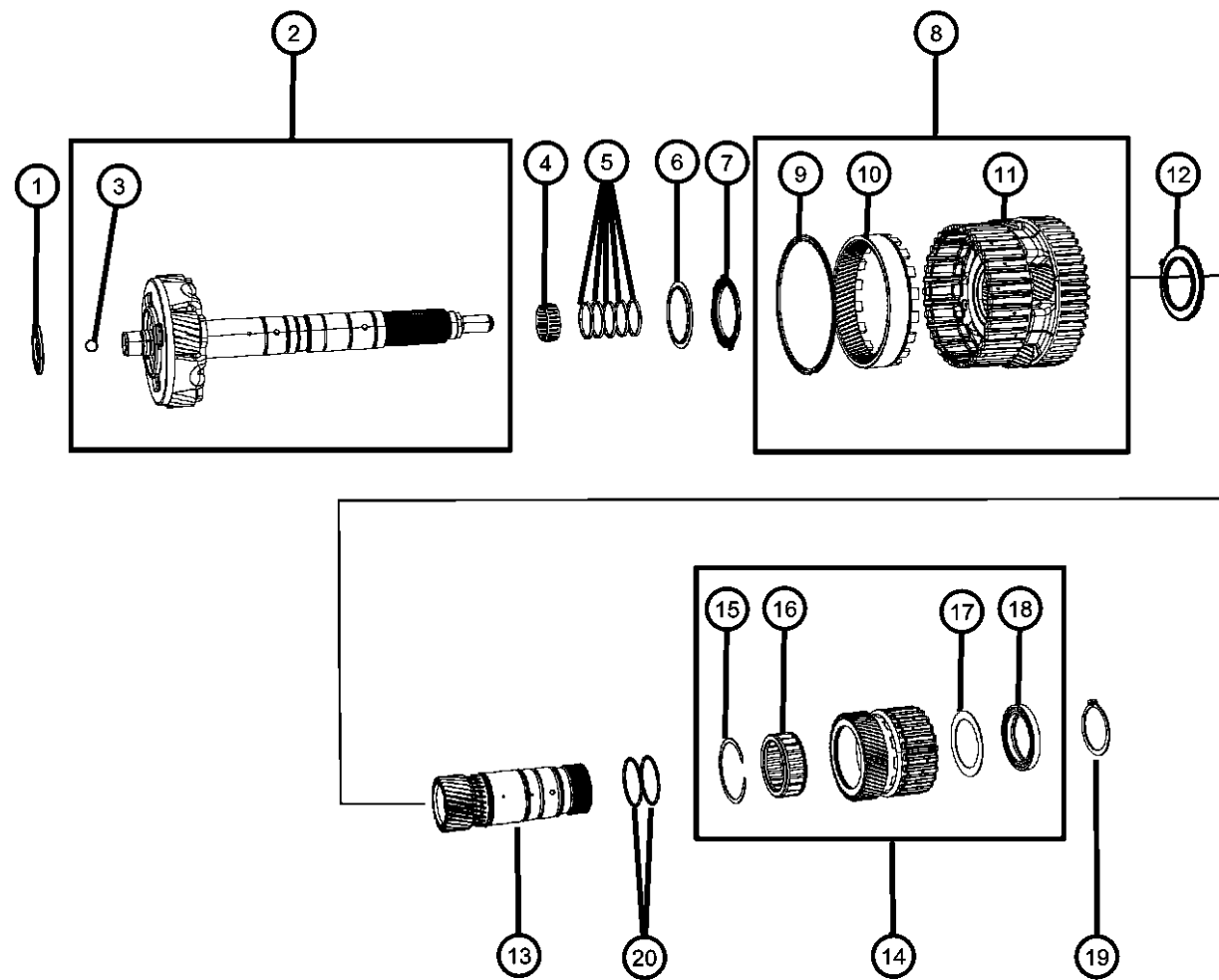
ENGINE
ERB = 3.0L V6 Engine
EZH = 5.7L V8 HEMI MDS
VVT Engine
EXF = 3.0L V6 Turbo Diesel
Engine

TRANSMISSION
DGQ = 5-Spd Automatic 545RFE
Transmission
DGJ = 5-Speed Auto W5A580
Transmission

AR = use ase required - = Non illustrated part

2011 WK

**Output Shaft With Center And Rear Planetary Gear Sets
Figure 021DGJ-612**



ITEM	PART NUMBER	QTY	LINE	SERIES	BODY	ENGINE	TRANS	TRIM	DESCRIPTION
1	52107927AA	1	J, U			ERB	DGJ		NEEDLE BEARING
		1	T			ERB	DGJ		
		1	J, U			EXF	DGJ		
2	52107929AB	1	J, U			ERB	DGJ		SHAFT, Output
		1	T			ERB	DGJ		
		1	J, U			EXF	DGJ		
3	52108390AA	1	T			ERB	DGJ		BALL, Check
		1	J, U			EXF	DGJ		
		1	J, U			ERB	DGJ		
4	52107932AA	1	J, U			EXF	DGJ		NEEDLE BEARING
		1	J, U			ERB	DGJ		
				T		ERB	DGJ		
5	05179367AA	5	T			ERB	DGJ		SEAL, Transmission
		5	J, U			EXF	DGJ		
		5	J, U			ERB	DGJ		
6	52108070AA	1	J, U			ERB	DGJ		RETAINER, Bearing
		1	T			ERB	DGJ		
		1	J, U			EXF	DGJ		
7	52107931AA	1	J, U			ERB	DGJ		NEEDLE BEARING
		1	T			ERB	DGJ		
		1	J, U			EXF	DGJ		
8	52108071AA	1	J, U			ERB	DGJ		CARRIER ASSEMBLY, Planetary
		1	T			ERB	DGJ		
		1	J, U			EXF	DGJ		
9	52108374AA	1	J, U			ERB	DGJ		SNAP RING
		1	T			ERB	DGJ		

GRAND CHEROKEE (WK)

SERIES LINE
H = HIGHLINE T = JEEP - 2WD
P = PREMIUM J = JEEP - 4WD
S = SPORT U = JEEP - 4WD (RHD)

BODY
74 = SPORT UTILITY 4-DR
TYPE #4

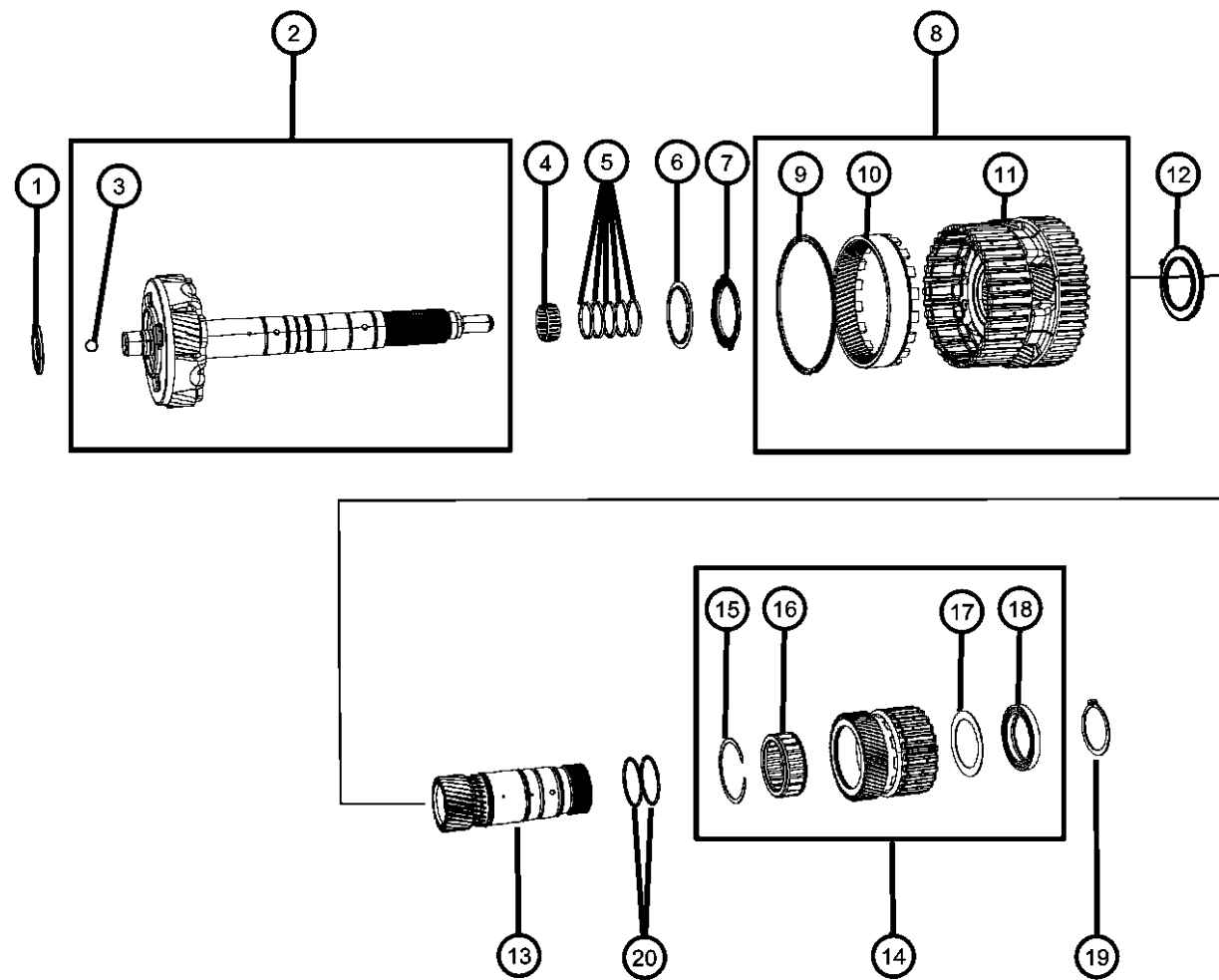
ENGINE
ERB = 3.0L Mid V6 Engine
EZH = 5.7L V8 HEMI MDS
VVT Engine
EXF = 3.0L V6 Turbo Diesel
Engine

TRANSMISSION
DGQ = 5-Spd Automatic 545RFE
Transmission
DGJ = 5-Speed Auto W5A580
Transmission

AR = use ase required - = Non illustrated part

2011 WK

**Output Shaft With Center And Rear Planetary Gear Sets
Figure 021DGJ-612**



ITEM	PART NUMBER	QTY	LINE	SERIES	BODY	ENGINE	TRANS	TRIM	DESCRIPTION
10		1	J, U			EXF	DGJ		GEAR, Annulus
	52108376AA	1	J, U			ERB	DGJ		
		1	T			ERB	DGJ		
		1	J, U			EXF	DGJ		
11		1	J, U			ERB	DGJ		CARRIER, Planetary
	52108072AA	1	J, U			ERB	DGJ		
		1	T			ERB	DGJ		
		1	J, U			EXF	DGJ		
12		1	J, U			ERB	DGJ		NEEDLE BEARING
	52107932AA	1	J, U			ERB	DGJ		
		1	T			ERB	DGJ		
		1	J, U			EXF	DGJ		
13		1	J, U			ERB	DGJ		GEAR, Sun
	52108078AA	1	J, U			ERB	DGJ		
		1	T			ERB	DGJ		
		1	J, U			EXF	DGJ		
14		1	J, U			ERB	DGJ		SUN GEAR ASSEMBLY
	52108519AC	1	J, U			ERB	DGJ		
		1	T			ERB	DGJ		
		1	J, U			EXF	DGJ		
15		1	J, U			ERB	DGJ		SNAP RING
	52107966AA	1	J, U			ERB	DGJ		
		1	T			ERB	DGJ		
		1	J, U			EXF	DGJ		
16		1	J, U			ERB	DGJ		CLUTCH, One Way
	52108522AB	1	J, U			ERB	DGJ		
		1	T			ERB	DGJ		
		1	J, U			EXF	DGJ		
17		1	J, U			ERB	DGJ		SPACER
	52108379AA	1	J, U			ERB	DGJ		
		1	T			ERB	DGJ		
		1	J, U			EXF	DGJ		
18		1	J, U			ERB	DGJ		BEARING, Ball

GRAND CHEROKEE (WK)

SERIES LINE
H = HIGHLINE T = JEEP - 2WD
P = PREMIUM J = JEEP - 4WD
S = SPORT U = JEEP - 4WD (RHD)

BODY
74 = SPORT UTILITY 4-DR
TYPE #4

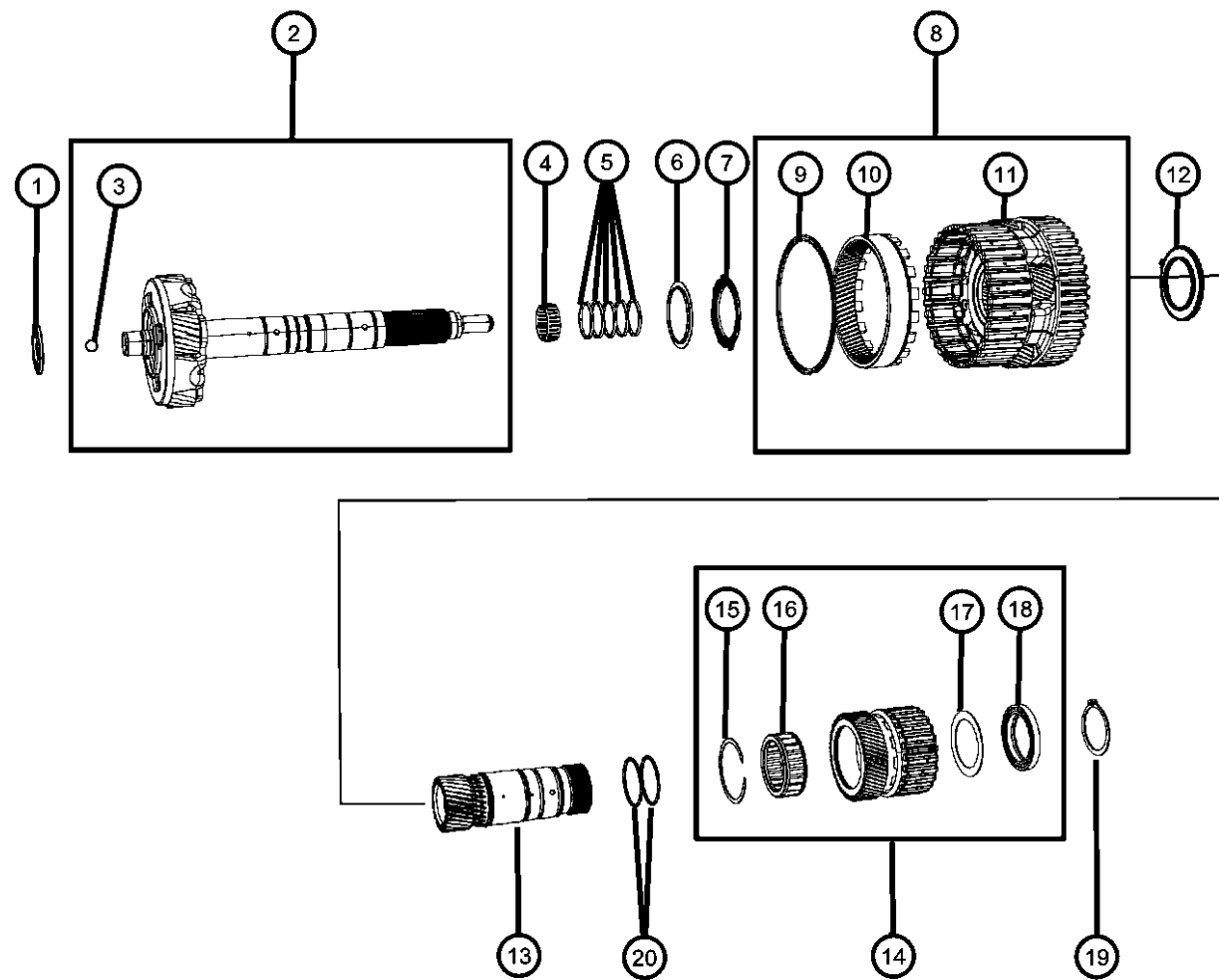
ENGINE
ERB = 3.0L Mid V6 Engine
EZH = 5.7L V8 HEMI MDS
VVT Engine
EXF = 3.0L V6 Turbo Diesel
Engine

TRANSMISSION
DGQ = 5-Spd Automatic 545RFE
Transmission
DGJ = 5-Speed Auto W5A580
Transmission

AR = use ase required - = Non illustrated part

2011 WK

**Output Shaft With Center And Rear Planetary Gear Sets
Figure 021DGJ-612**



ITEM	PART NUMBER	QTY	LINE	SERIES	BODY	ENGINE	TRANS	TRIM	DESCRIPTION
	52108084AA	1	J, U			ERB	DGJ		
		1	T			ERB	DGJ		
		1	J, U			EXF	DGJ		
19	52107967AA	1	J, U			ERB	DGJ		SNAP RING
		1	T			ERB	DGJ		
		1	J, U			EXF	DGJ		
20	52107941AA	1	J, U			EXF	DGJ		O RING
	52108085AA	2	J, U			ERB	DGJ		
		2	T			ERB	DGJ		

GRAND CHEROKEE (WK)
 SERIES LINE
 H = HIGHLINE T = JEEP - 2WD
 P = PREMIUM J = JEEP - 4WD
 S = SPORT U = JEEP - 4WD (RHD)

BODY
 74 = SPORT UTILITY 4-DR TYPE #4

ENGINE
 ERB = 3.0L V6 Engine
 EZH = 5.7L V8 HEMI MDS VVT Engine
 EXF = 3.0L V6 Turbo Diesel Engine

TRANSMISSION
 DGQ = 5-Spd Automatic 545RFE Transmission
 DGJ = 5-Speed Auto W5A580 Transmission

AR = use ase required - = Non illustrated part

Valve Body And Related Parts
Figure 021DGJ-825

ITEM	PART NUMBER	QTY	LINE	SERIES	BODY	ENGINE	TRANS	TRIM	DESCRIPTION
1	52108213AB	1	J, U			ERB	DGJ		VALVE BODY, Complete
		1	J, U			EXF	DGJ		
		1	T			ERB	DGJ		
2	52108268AA	2	J, U			ERB	DGJ		BOLT, Torx Head, M6x80
		2	T			ERB	DGJ		
		2	J, U			EXF	DGJ		
3	52108269AA	1	J, U			ERB	DGJ		BOLT, Torx Head, M6x55
		1	T			ERB	DGJ		
		1	J, U			EXF	DGJ		
4	52108315AA	3	J, U			ERB	DGJ		PLATE
		3	T			ERB	DGJ		
		3	J, U			EXF	DGJ		
5	52108314AA	1	J, U			ERB	DGJ		SOLENOID, Transmission, Torque Converter Clutch
		1	T			ERB	DGJ		
		1	J, U			EXF	DGJ		
6	05189057AA	3	J, U			ERB	DGJ		SOLENOID, Transmission, Shift ON/OFF
		3	T			ERB	DGJ		
		3	J, U			EXF	DGJ		
7	05134761AA	3	J, U			ERB	DGJ		CAP, Solenoid
		3	T			ERB	DGJ		
		3	J, U			EXF	DGJ		
8	05138838AA	2	J, U			ERB	DGJ		SOLENOID, Transmission, Shift Pressure
		2	T			ERB	DGJ		
		2	J, U			EXF	DGJ		
9									FILTER, Transmission Oil

GRAND CHEROKEE (WK)

SERIES LINE
H = HIGHLINE T = JEEP - 2WD
P = PREMIUM J = JEEP - 4WD
S = SPORT U = JEEP - 4WD (RHD)

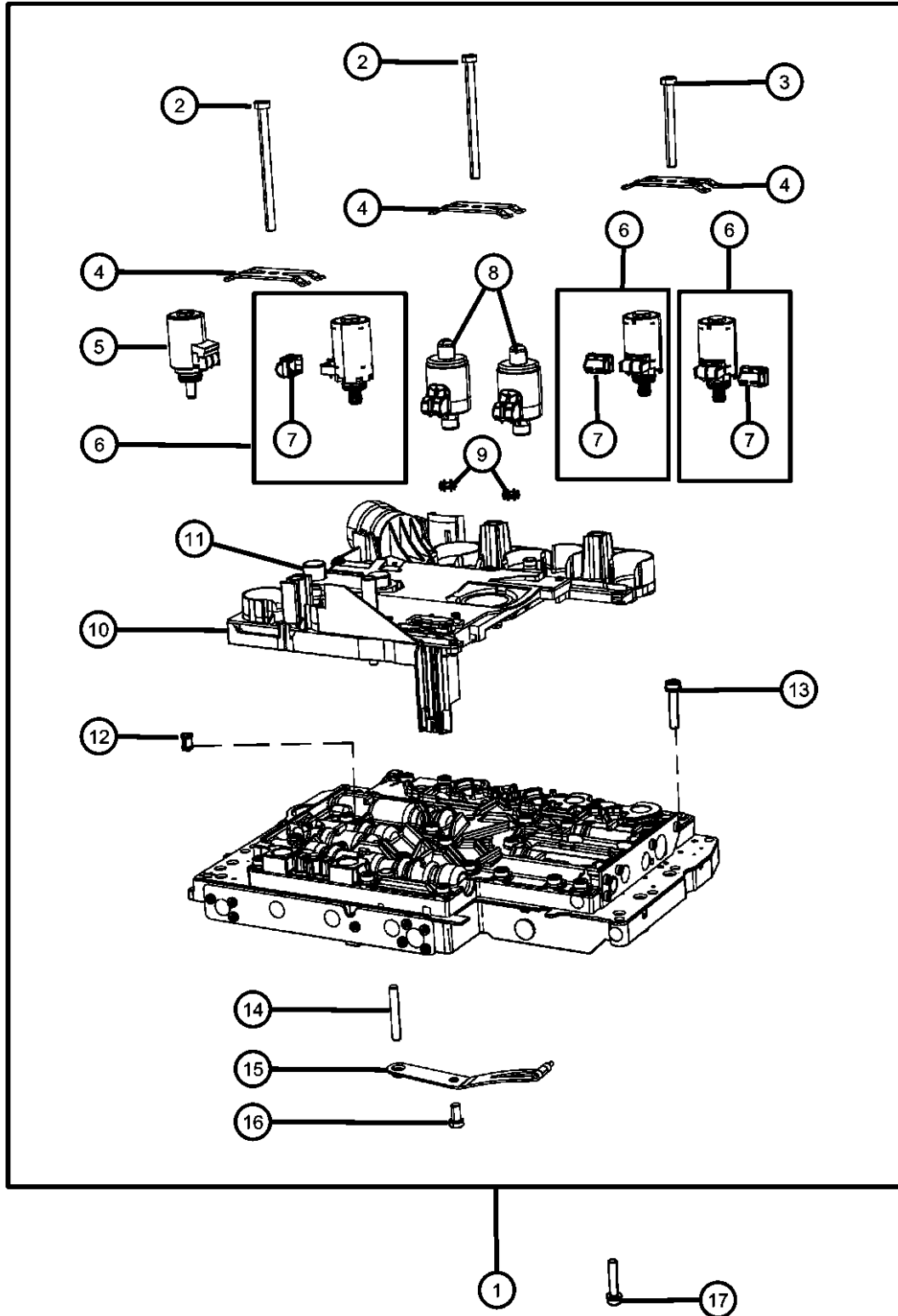
BODY
74 = SPORT UTILITY 4-DR
TYPE #4

ENGINE
ERB = 3.0L V6 Engine
EZH = 5.7L V8 HEMI MDS
VVT Engine
EXF = 3.0L V6 Turbo Diesel
Engine

TRANSMISSION
DGQ = 5-Spd Automatic 545RFE
Transmission
DGJ = 5-Speed Auto W5A580
Transmission

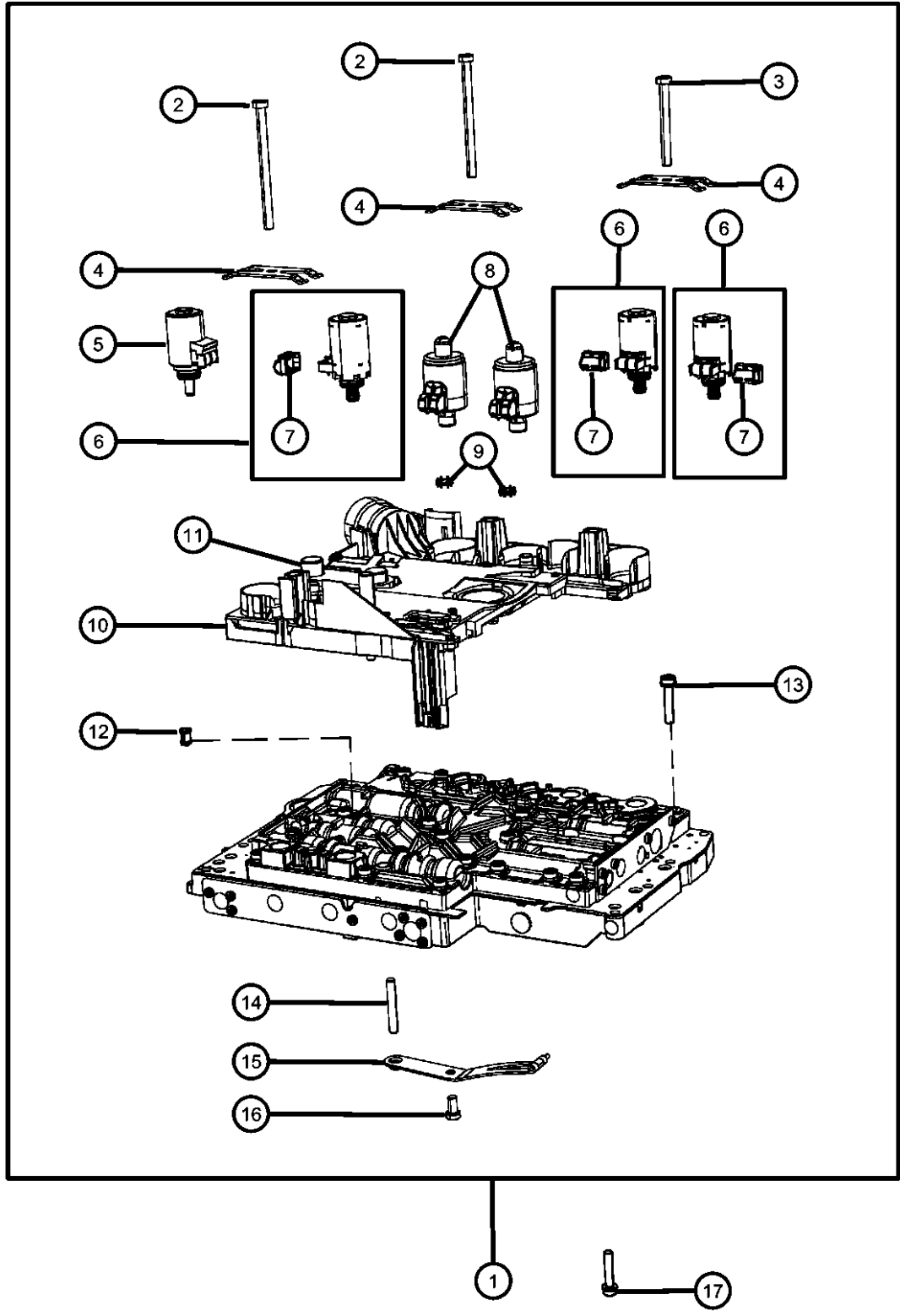
AR = use ase required - = Non illustrated part

2011 WK



Valve Body And Related Parts
Figure 021DGJ-825

ITEM	PART NUMBER	QTY	LINE	SERIES	BODY	ENGINE	TRANS	TRIM	DESCRIPTION
	52108316AA	2	J, U			ERB	DGJ		
		2	T			ERB	DGJ		
		2	J, U			EXF	DGJ		
10									CONNECTOR ASSEMBLY, Electrical
	52108308AC	1	T			ERB	DGJ		
		1	J, U			ERB	DGJ		
		1	J, U			EXF	DGJ		
11		1							SENSOR, Speed, (NOT SERVICED)
12									FILTER, Transmission Oil
	52108304AA	2	J, U			ERB	DGJ		
		2	T			ERB	DGJ		
		2	J, U			EXF	DGJ		
13									BOLT, Torx Head, M6x30
	52108267AA	29	J, U			ERB	DGJ		
		29	T			ERB	DGJ		
		29	J, U			EXF	DGJ		
14									DOWEL
	05098951AA	1	J, U			ERB	DGJ		
		1	T			ERB	DGJ		
		1	J, U			EXF	DGJ		
15									DETENT, Valve Body
	52108258AA	1	J, U			ERB	DGJ		
		1	T			ERB	DGJ		
		1	J, U			EXF	DGJ		
16									BOLT, Torx Head, M6x12
	52108266AB	1	J, U			ERB	DGJ		
		1	T			ERB	DGJ		
		1	J, U			EXF	DGJ		
17									BOLT, Torx Head, M6x30
	52108267AA	10	J, U			ERB	DGJ		
		10	T			ERB	DGJ		
		10	J, U			EXF	DGJ		



GRAND CHEROKEE (WK)

SERIES LINE
H = HIGHLINE T = JEEP - 2WD
P = PREMIUM J = JEEP - 4WD
S = SPORT U = JEEP - 4WD (RHD)

BODY
74 = SPORT UTILITY 4-DR
TYPE #4

ENGINE
ERB = 3.0L V6 Engine
EZH = 5.7L V8 HEMI MDS
VVT Engine
EXF = 3.0L V6 Turbo Diesel
Engine

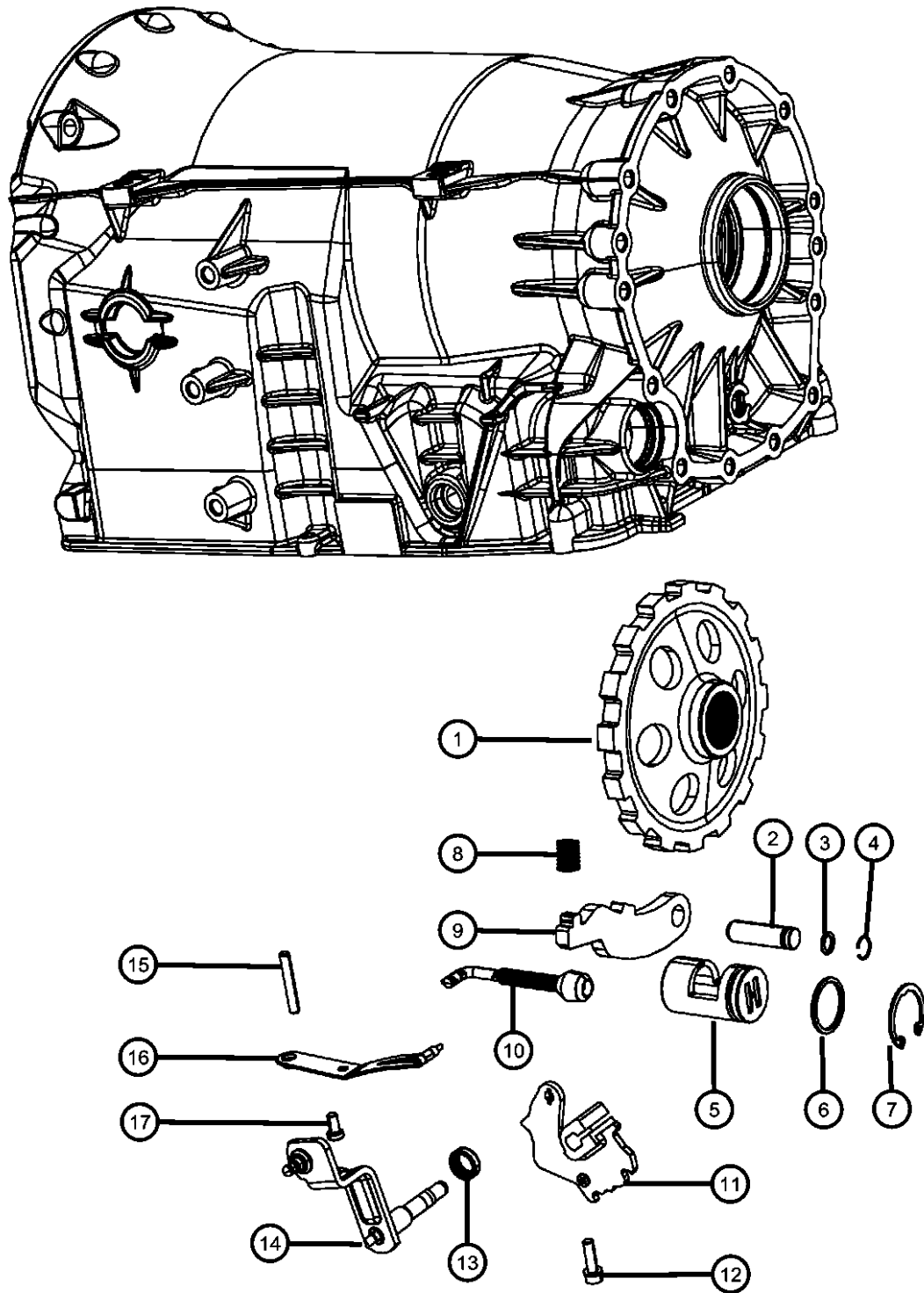
TRANSMISSION
DGQ = 5-Spd Automatic 545RFE
Transmission
DGJ = 5-Speed Auto W5A580
Transmission

AR = use ase required - = Non illustrated part

2011 WK

**Parking Sprag And Related Parts
Figure 021DGJ-860**

ITEM	PART NUMBER	QTY	LINE	SERIES	BODY	ENGINE	TRANS	TRIM	DESCRIPTION
1	52108180AA	1	J, U			ERB	DGJ		SPRAG, Transmission Parking
		1	T			ERB	DGJ		
		1	J, U			EXF	DGJ		
2	52108155AA	1	J, U			ERB	DGJ		SHAFT, Parking Pawl
		1	T			ERB	DGJ		
		1	J, U			EXF	DGJ		
3	52108156AB	1	J, U			ERB	DGJ		O RING
		1	T			ERB	DGJ		
		1	J, U			EXF	DGJ		
4	52107975AA	1	J, U			ERB	DGJ		SNAP RING
		1	T			ERB	DGJ		
		1	J, U			EXF	DGJ		
5	52108176AA	1	J, U			ERB	DGJ		GUIDE
		1	T			ERB	DGJ		
		1	J, U			EXF	DGJ		
6	52108177AA	1	J, U			ERB	DGJ		O RING
		1	T			ERB	DGJ		
		1	J, U			EXF	DGJ		
7	52107976AA	1	J, U			ERB	DGJ		SNAP RING
		1	T			ERB	DGJ		
		1	J, U			EXF	DGJ		
8	52108157AA	1	J, U			ERB	DGJ		SPRING
		1	T			ERB	DGJ		
		1	J, U			EXF	DGJ		
9	52108154AA	1	J, U			ERB	DGJ		PAWL, Parking Sprag
		1	T			ERB	DGJ		



GRAND CHEROKEE (WK)

SERIES LINE
H = HIGHLINE T = JEEP - 2WD
P = PREMIUM J = JEEP - 4WD
S = SPORT U = JEEP - 4WD (RHD)

BODY
74 = SPORT UTILITY 4-DR
TYPE #4

ENGINE
ERB = 3.0L V6 Engine
EZH = 5.7L V8 HEMI MDS
VVT Engine
EXF = 3.0L V6 Turbo Diesel
Engine

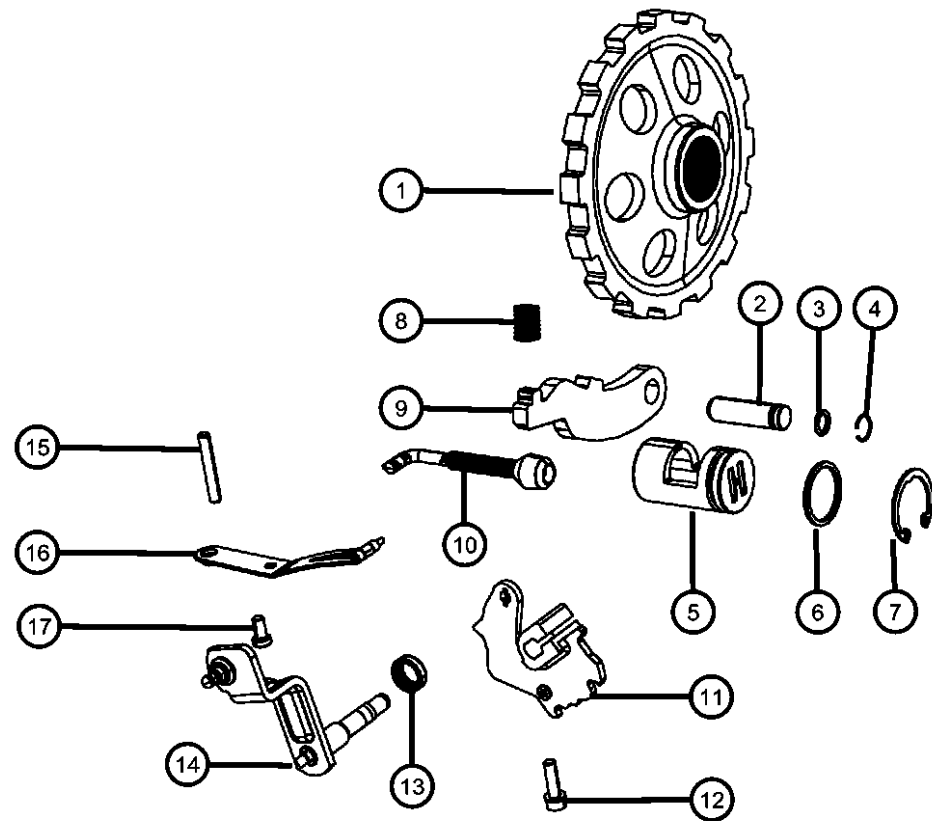
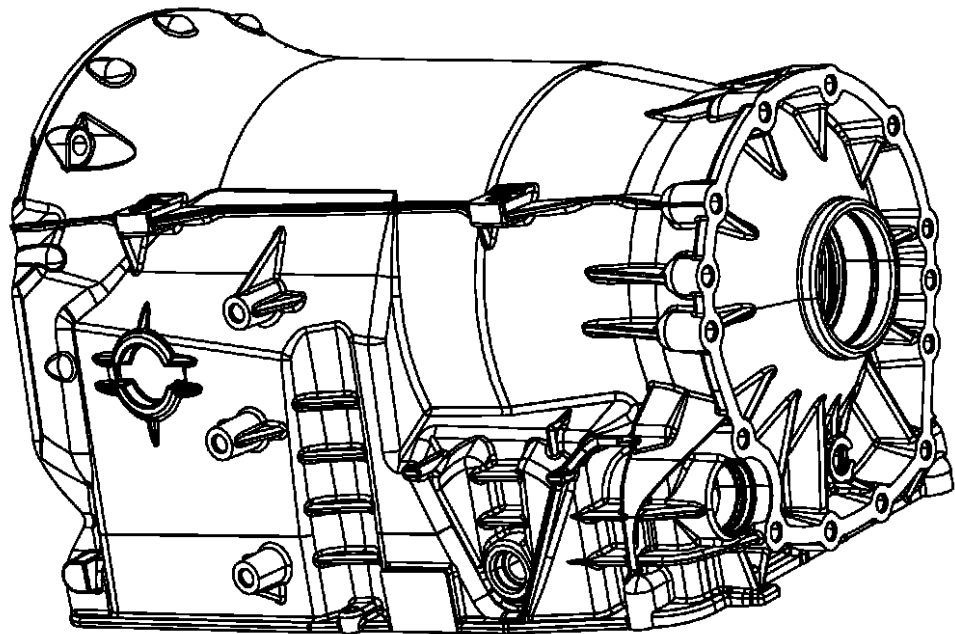
TRANSMISSION
DGQ = 5-Spd Automatic 545RFE
Transmission
DGJ = 5-Speed Auto W5A580
Transmission

AR = use ase required - = Non illustrated part

2011 WK

**Parking Sprag And Related Parts
Figure 021DGJ-860**

ITEM	PART NUMBER	QTY	LINE	SERIES	BODY	ENGINE	TRANS	TRIM	DESCRIPTION
10		1	J, U			EXF	DGJ		LINKAGE, Transmission
	52108166AA	1	J, U			ERB	DGJ		
		1	T			ERB	DGJ		
11		1	J, U			EXF	DGJ		DETENT, Gearshift
	52108349AB	1	J, U			ERB	DGJ		
		1	T			ERB	DGJ		
12		1	J, U			EXF	DGJ		BOLT, Torx Head, M6x20
	52108178AA	1	J, U			ERB	DGJ		
		1	T			ERB	DGJ		
13		1	J, U			EXF	DGJ		SEAL, Transmission
	05134933AA	AR	J, U			ERB	DGJ		
		AR	T			ERB	DGJ		
14		1	J, U			EXF	DGJ		SHAFT, Shift Lever
	52108432AA	1	J, U			ERB	DGJ		
		1	T			ERB	DGJ		
15		1	J, U			EXF	DGJ		DOWEL
	05098951AA	1	J, U			ERB	DGJ		
		1	T			ERB	DGJ		
16		1	J, U			EXF	DGJ		DETENT, Valve Body
	52108258AA	1	J, U			ERB	DGJ		
		1	T			ERB	DGJ		
17		1	J, U			EXF	DGJ		BOLT, Torx Head, M6x12
	52108266AB	1	J, U			ERB	DGJ		
		1	T			ERB	DGJ		
		1	J, U			EXF	DGJ		



GRAND CHEROKEE (WK)

SERIES LINE
H = HIGHLINE T = JEEP - 2WD
P = PREMIUM J = JEEP - 4WD
S = SPORT U = JEEP - 4WD (RHD)

BODY
74 = SPORT UTILITY 4-DR
TYPE #4

ENGINE
ERB = 3.0L V6 Engine
EZH = 5.7L V8 HEMI MDS
VVT Engine
EXF = 3.0L V6 Turbo Diesel
Engine

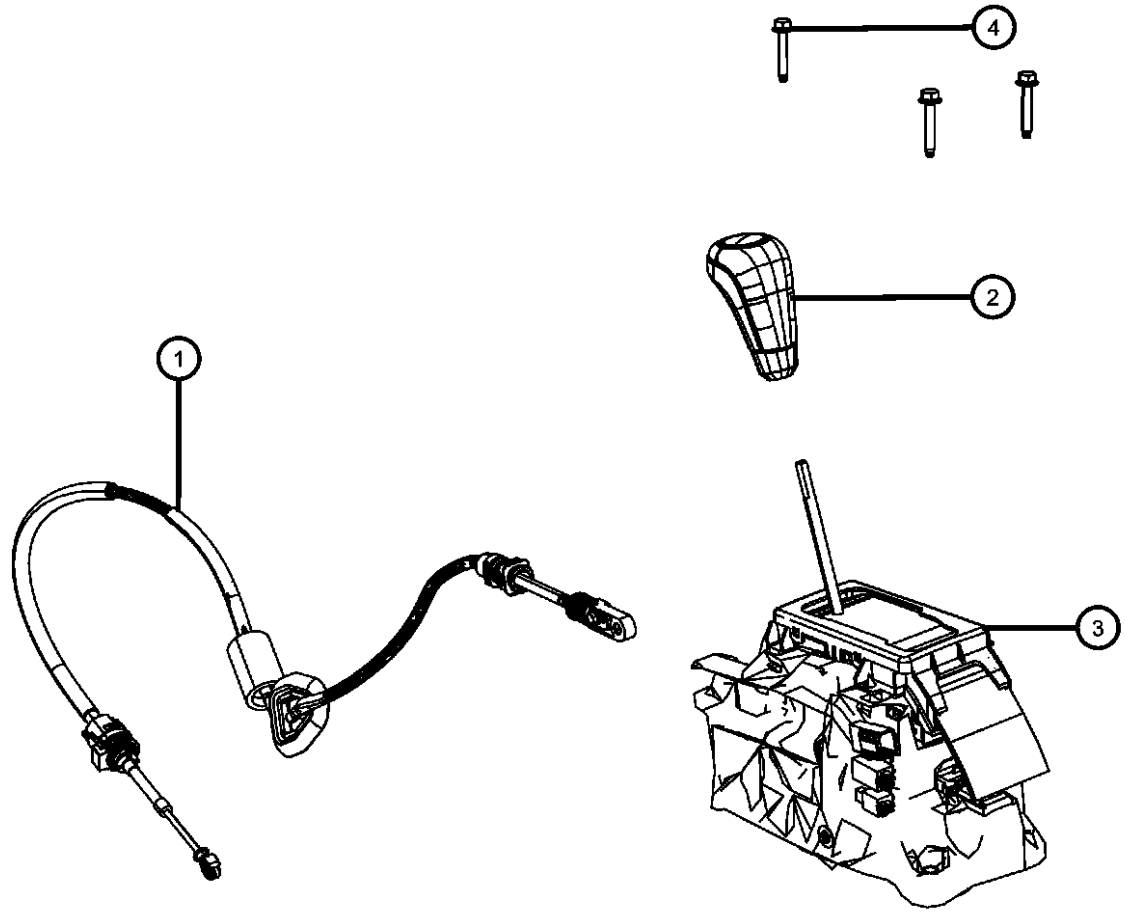
TRANSMISSION
DGQ = 5-Spd Automatic 545RFE
Transmission
DGJ = 5-Speed Auto W5A580
Transmission

AR = use ase required - = Non illustrated part

2011 WK

**Gearshift Controls
Figure 021DGJ-1105**

ITEM	PART NUMBER	QTY	LINE	SERIES	BODY	ENGINE	TRANS	TRIM	DESCRIPTION
1	52124784AB	1	J, T, U				DGJ, DGU		CABLE, Gearshift Control
2									KNOB, Gearshift
	1PT50DX9AA	1	J, T, U						[CV3] With, [X9] Or [XL]
	1PT50XTWAA	1	J, T, U						[CV3] With [D3]
	1RC46HL9AA	1	J, T, U						[CVW] With [L9]
	1RC46XTWAA	1	J, T, U						[CVW] With [D3]
	1RC46DX9AA	1	J, T, U						[CVW] With, [X9] Or [XL] Or [XT]
3	52124792AB	1	J, T, U				DGJ, DGU		SHIFTER, Transmission
4	06105040AA	3	J, T, U				DBA		BOLT, Hex Flange Head, M6X1.00X35.00



GRAND CHEROKEE (WK)

SERIES LINE
H = HIGHLINE T = JEEP - 2WD
P = PREMIUM J = JEEP - 4WD
S = SPORT U = JEEP - 4WD (RHD)

BODY
74 = SPORT UTILITY 4-DR
TYPE #4

ENGINE
ERB = 3.XL Mid V6 Engine
EZH = 5.7L V8 HEMI MDS
VVT Engine
EXF = 3.0L V6 Turbo Diesel
Engine

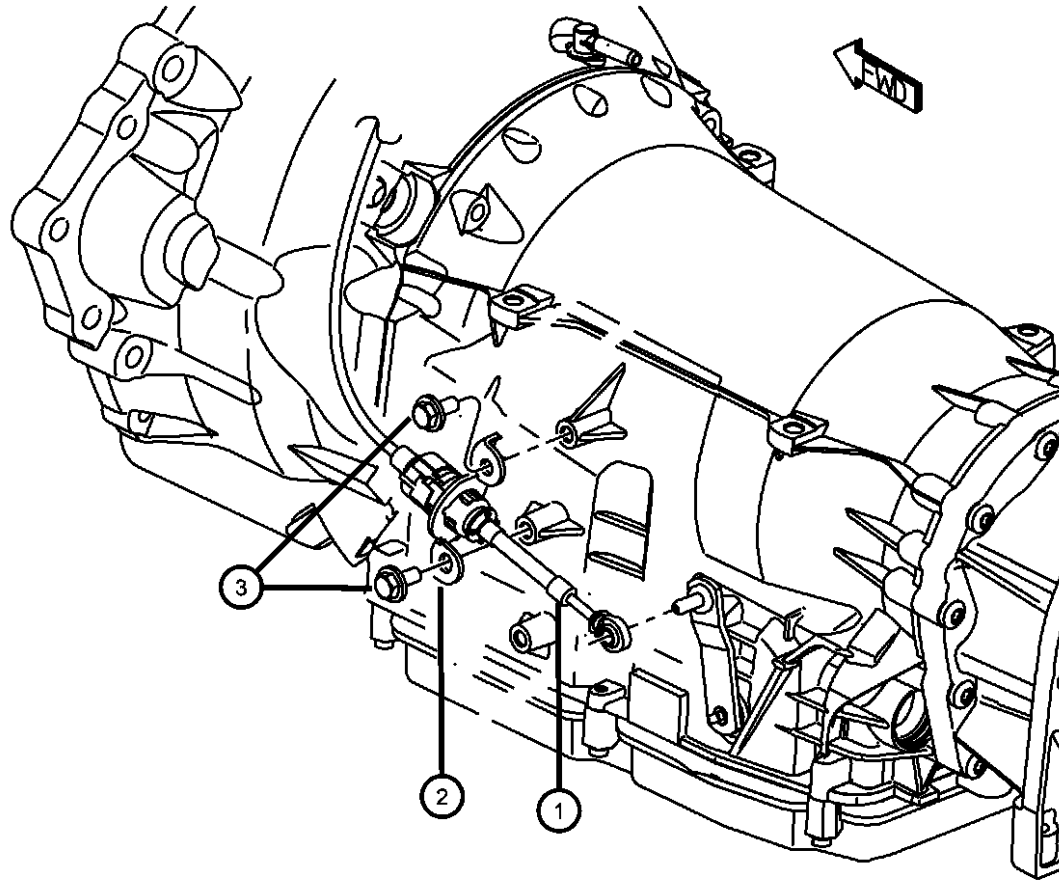
TRANSMISSION
DGQ = 5-Spd Automatic 545RFE
Transmission
DGJ = 5-Speed Auto W5A580
Transmission

AR = use ase required - = Non illustrated part

2011 WK

Gearshift Lever, Cable and Bracket
Figure 021DGJ-1115

ITEM	PART NUMBER	QTY	LINE	SERIES	BODY	ENGINE	TRANS	TRIM	DESCRIPTION
1	52124784AB	1	J, T, U				DGJ, DGU		CABLE, Gearshift Control
2	52109699AC	1	J, T, U				DGJ		BRACKET, Shift Cable
3	06508738AA	2	J, T, U				DBA		SCREW, Hex Head, M8x1.25x20



GRAND CHEROKEE (WK)

SERIES	LINE
H = HIGHLINE	T = JEEP - 2WD
P = PREMIUM	J = JEEP - 4WD
S = SPORT	U = JEEP - 4WD (RHD)

BODY
 74 = SPORT UTILITY 4-DR
 TYPE #4

ENGINE
 ERB = 3.XL Mid V6 Engine
 EZH = 5.7L V8 HEMI MDS
 VVT Engine
 EXF = 3.0L V6 Turbo Diesel
 Engine

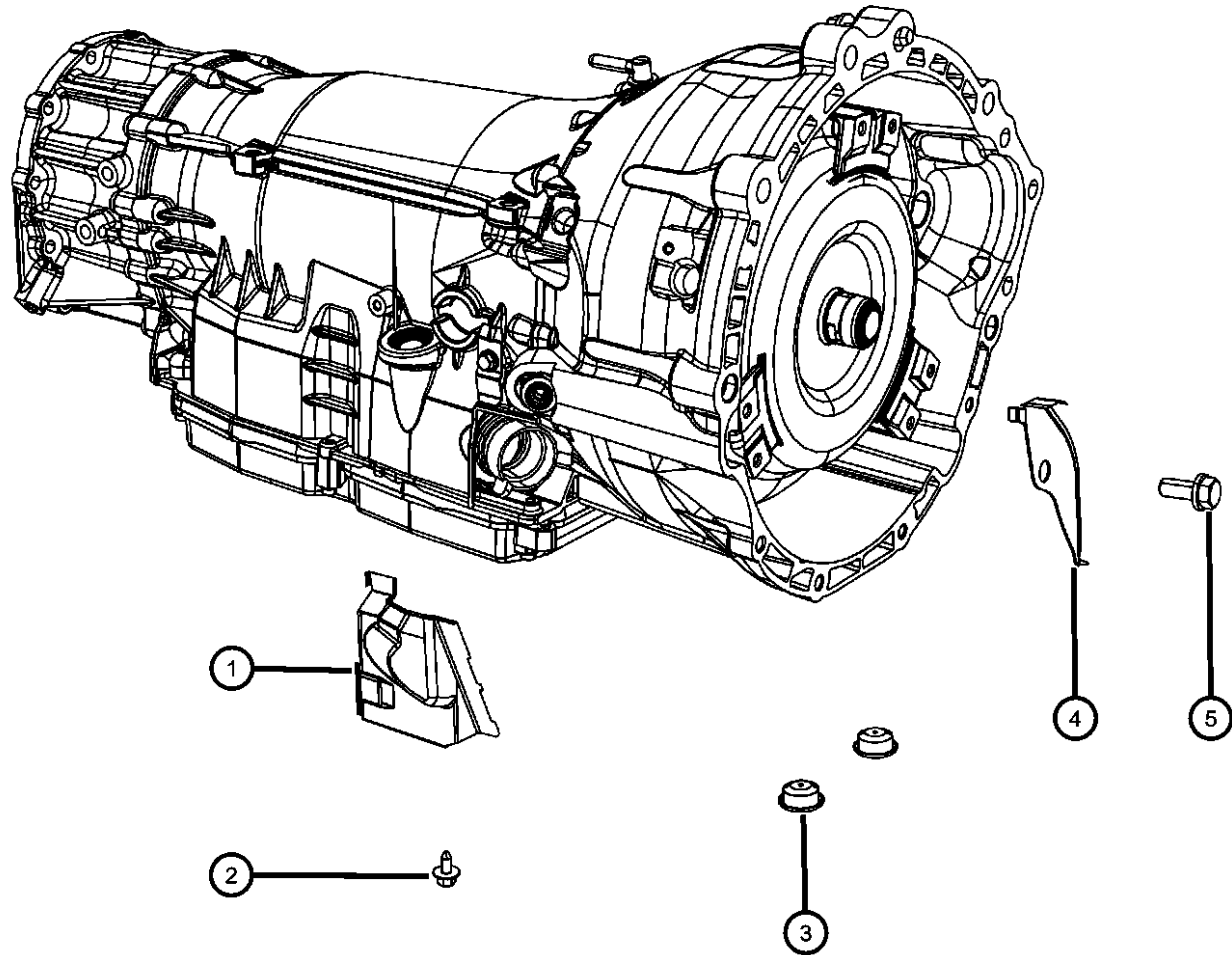
TRANSMISSION
 DGQ = 5-Spd Automatic 545RFE
 Transmission
 DGJ = 5-Speed Auto W5A580
 Transmission

AR = use ase required - = Non illustrated part

2011 WK

Mounting Covers And Shields
Figure 021DGJ-1205

ITEM	PART NUMBER	QTY	LINE	SERIES	BODY	ENGINE	TRANS	TRIM	DESCRIPTION
1	53013915AA	1	J, T, U				DGJ, DGU		SHIELD, Heat
2	06507210AA	1	J, T, U				DGJ		BOLT, Hex Head, M6X1.00X11.00
3	04593887AB	2	J, T, U			ERB	DGJ		PLUG, Access Hole
4	53034177AA	1	J, T			ERB	DGJ		COVER, Transmission Dust
5	06102411AA	1	J, T, U			ERB	DGJ		BOLT AND WASHER, Hex Head, M10X1.50X25.00



GRAND CHEROKEE (WK)

SERIES LINE
H = HIGHLINE T = JEEP - 2WD
P = PREMIUM J = JEEP - 4WD
S = SPORT U = JEEP - 4WD (RHD)

BODY
74 = SPORT UTILITY 4-DR
TYPE #4

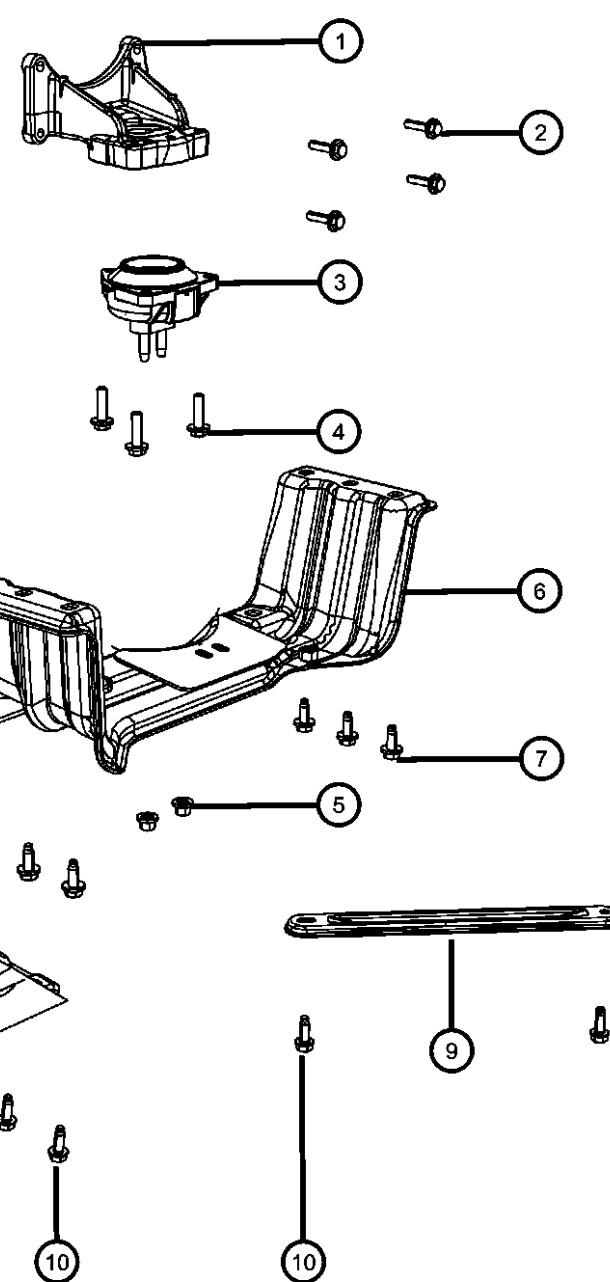
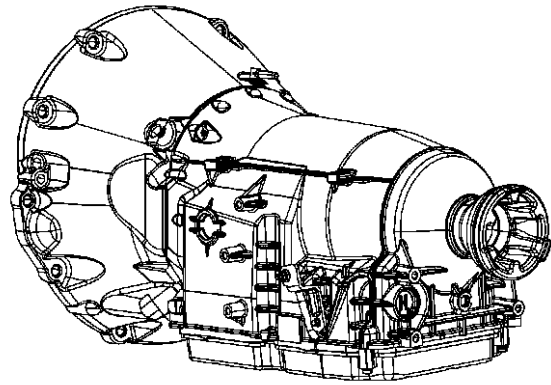
ENGINE
ERB = 3.0L Mid V6 Engine
EZH = 5.7L V8 HEMI MDS
VVT Engine
EXF = 3.0L V6 Turbo Diesel
Engine

TRANSMISSION
DGQ = 5-Spd Automatic 545RFE
Transmission
DGJ = 5-Speed Auto W5A580
Transmission

AR = use ase required - = Non illustrated part

2011 WK

**Transmission Mount [2WD]
Figure 021DGJ-1206**



ITEM	PART NUMBER	QTY	LINE	SERIES	BODY	ENGINE	TRANS	TRIM	DESCRIPTION
1	04578843AB	1	T				DGJ, DGU		BRACKET, Transmission Mount
2	06101959	4	T				DGJ, DGU		SCREW AND WASHER
3	68032661AD	1	J, T, U			ER0			ISOLATOR, Transmission Mount
4	06102210AA	3	J, T, U						BOLT AND CONED WASHER, Hex Head, M10X1.50X40.00
5	06502979	2	J, T, U						NUT AND WASHER, Hex, M10x1.5
6	52124631AC	1	J, T						CROSSMEMBER, Transmission
7	06104414AA	6	J, T, U						BOLT AND CONED WASHER, Hex Head, M10x1.5x30
8	04578779AA	1	J, T, U						BRACKET, Transmission Crossmember
9	04578782AA	1	J, T, U						BRACKET, Transmission Crossmember
10	06105063AA	6	J, T, U						SCREW AND WASHER, Hex Head

GRAND CHEROKEE (WK)

SERIES LINE
H = HIGHLINE T = JEEP - 2WD
P = PREMIUM J = JEEP - 4WD
S = SPORT U = JEEP - 4WD (RHD)

BODY
74 = SPORT UTILITY 4-DR TYPE #4

ENGINE
ERB = 3.0L Mid V6 Engine
EZH = 5.7L V8 HEMI MDS VVT Engine
EXF = 3.0L V6 Turbo Diesel Engine

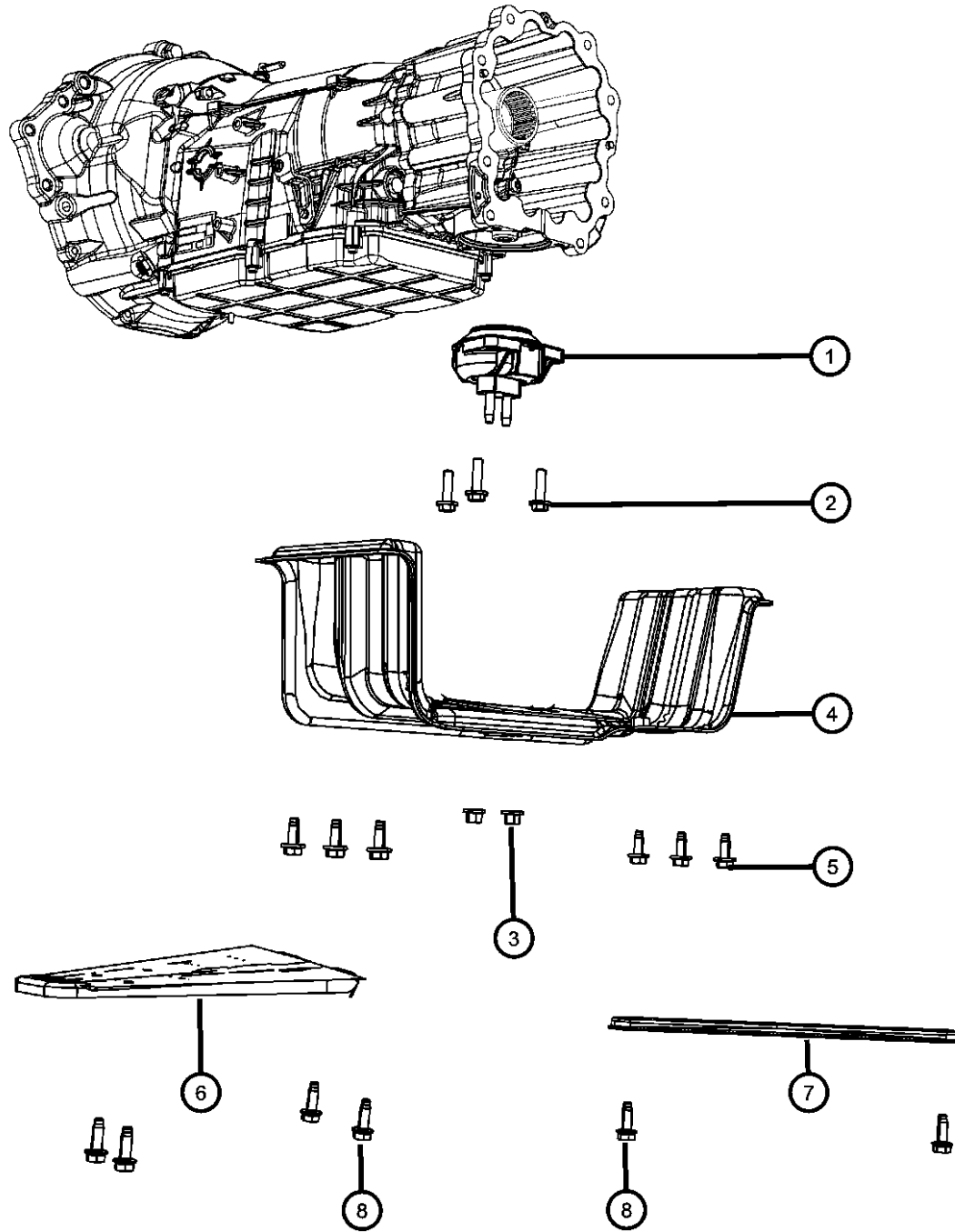
TRANSMISSION
DGQ = 5-Spd Automatic 545RFE Transmission
DGJ = 5-Speed Auto W5A580 Transmission

AR = use ase required - = Non illustrated part

2011 WK

Transmission Mount [4WD]
Figure 021DGJ-1207

ITEM	PART NUMBER	QTY	LINE	SERIES	BODY	ENGINE	TRANS	TRIM	DESCRIPTION
1	68032661AD	1	J, T, U			ER0			ISOLATOR, Transmission Mount
2	06102210AA	3	J, T, U						BOLT AND CONED WASHER, Hex Head, M10X1.50X40.00
3	06502979	2	J, T, U						NUT AND WASHER, Hex, M10x1.5
4	52124631AC	1	J, T						CROSSMEMBER, Transmission
5	06104414AA	6	J, T, U						BOLT AND CONED WASHER, Hex Head, M10x1.5x30
6	04578779AA	1	J, T, U						BRACKET, Transmission Crossmember
7	04578782AA	1	J, T, U						BRACKET, Transmission Crossmember
8	06105063AA	6	J, T, U						SCREW AND WASHER, Hex Head



GRAND CHEROKEE (WK)

SERIES LINE
H = HIGHLINE T = JEEP - 2WD
P = PREMIUM J = JEEP - 4WD
S = SPORT U = JEEP - 4WD (RHD)

BODY
74 = SPORT UTILITY 4-DR
TYPE #4

ENGINE
ERB = 3.0L Mid V6 Engine
EZH = 5.7L V8 HEMI MDS
VVT Engine
EXF = 3.0L V6 Turbo Diesel
Engine

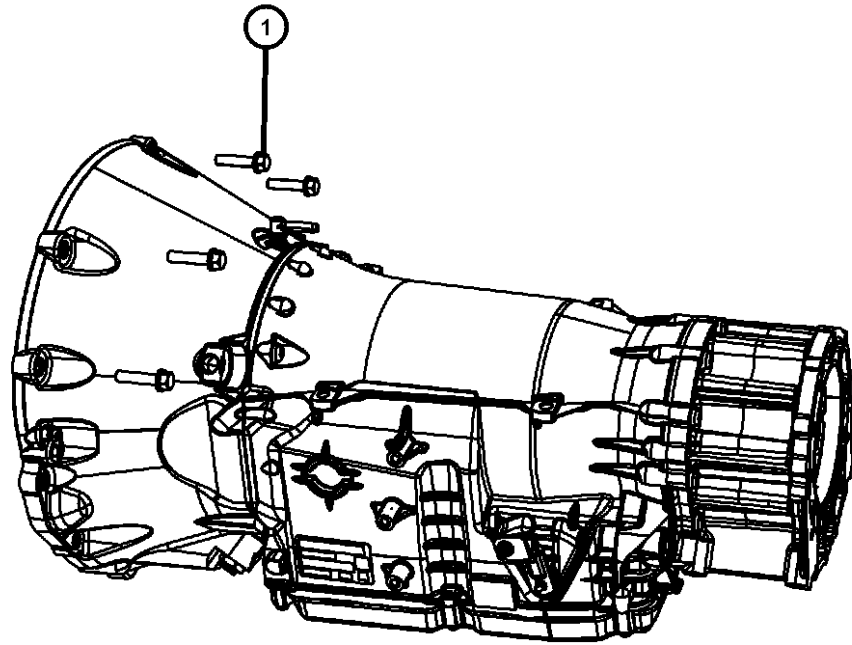
TRANSMISSION
DGQ = 5-Spd Automatic 545RFE
Transmission
DGJ = 5-Speed Auto W5A580
Transmission

AR = use ase required - = Non illustrated part

2011 WK

**Mounting Bolts
Figure 021DGJ-1215**

ITEM	PART NUMBER	QTY	LINE	SERIES	BODY	ENGINE	TRANS	TRIM	DESCRIPTION
1	06101985	5	J, T, U			ERB	DGJ		BOLT AND WASHER, Hex Head, M10x1.50x45.00



GRAND CHEROKEE (WK)

SERIES LINE
H = HIGHLINE T = JEEP - 2WD
P = PREMIUM J = JEEP - 4WD
S = SPORT U = JEEP - 4WD (RHD)

BODY
74 = SPORT UTILITY 4-DR
TYPE #4

ENGINE
ERB = 3.XL Mid V6 Engine
EZH = 5.7L V8 HEMI MDS
VVT Engine
EXF = 3.0L V6 Turbo Diesel
Engine

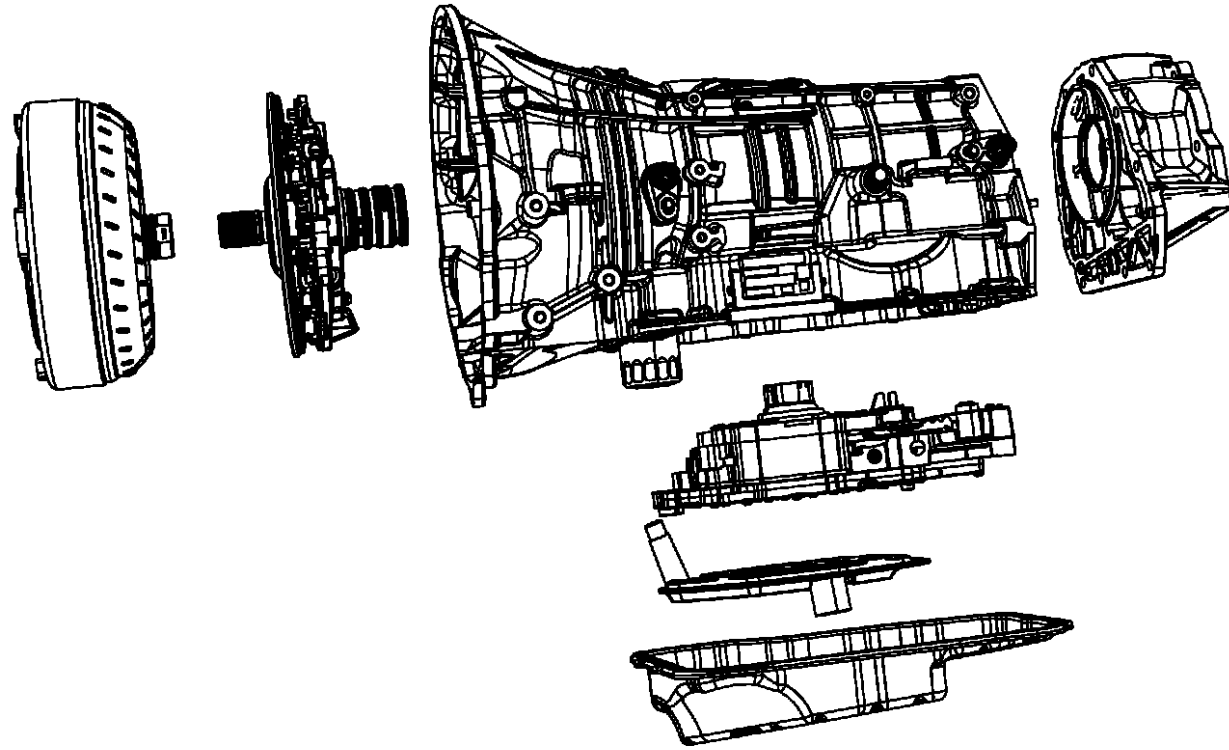
TRANSMISSION
DGQ = 5-Spd Automatic 545RFE
Transmission
DGJ = 5-Speed Auto W5A580
Transmission

AR = use ase required - = Non illustrated part

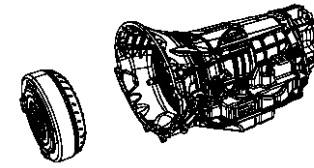
2011 WK

Group - 021DGQ

545RFE; 5-Speed; Automatic Transmission



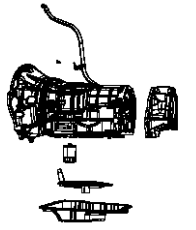
021DGQ-100
Automatic Transmission /
Transaxle and Torque Converter



021DGQ-1100
Gearshift Controls and Related
Parts

021DGQ-1200
Mounting and Skid Plate

021DGQ-200
Case, Extension, Oil Pan, and
Indicator (Dipstick)

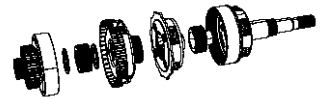
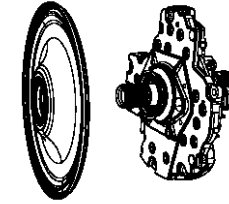


021DGQ-300
Seal and Shim Packages

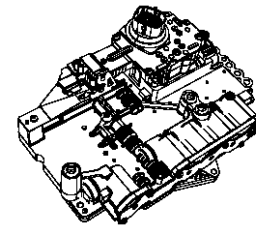
021DGQ-400
Oil Pump

021DGQ-500
Clutches

021DGQ-600
Gear Train



021DGQ-800
Valve Body, Accumulator,
Solenoid and Parking Sprag

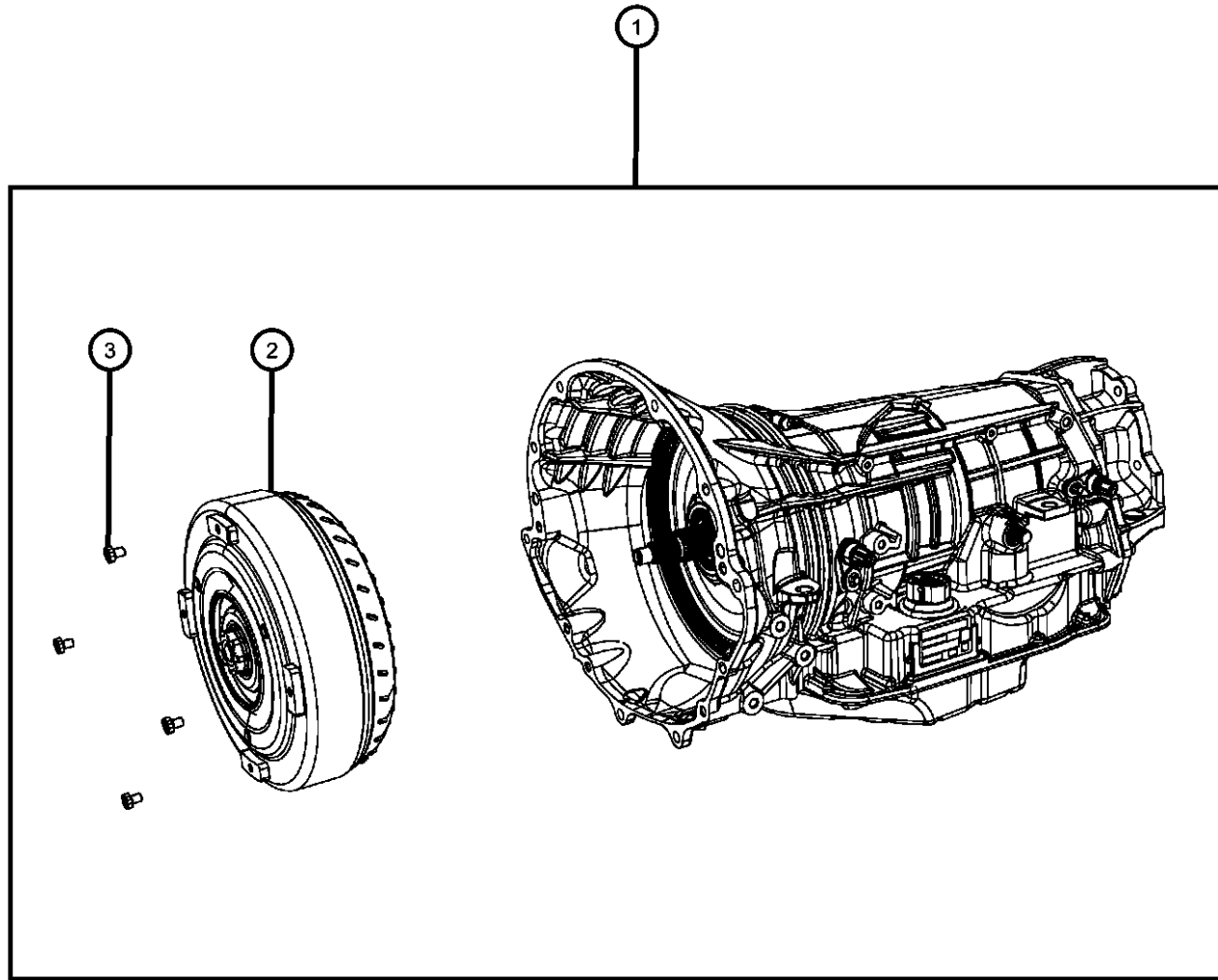


Group - 021DGQ 545RFE; 5-Speed; Automatic Transmission

Illustration Title	Group-Fig. No.
Automatic Transmission / Transaxle and Torque Converter	
Transmission / Transaxle Assembly	Fig. 021DGQ - 105
Torque Converter	Fig. 021DGQ - 110
Case, Extension, Oil Pan, and Indicator (Dipstick)	
Case	Fig. 021DGQ - 205
Adapter	Fig. 021DGQ - 221
Extension	Fig. 021DGQ - 222
Oil Fill Tube And Related Parts	Fig. 021DGQ - 225
Oil Pan, Cover And Related Parts	Fig. 021DGQ - 230
Filters	Fig. 021DGQ - 235
Sensors, Vents And Quick Connectors	Fig. 021DGQ - 240
Seal and Shim Packages	
Seal and Shim Packages	Fig. 021DGQ - 305
Oil Pump	
Oil Pump and Related Parts	Fig. 021DGQ - 415
Clutches	
Input Clutch Assembly	Fig. 021DGQ - 521
Input Clutch Assembly	Fig. 021DGQ - 522
Input Clutch Assembly	Fig. 021DGQ - 523
2C / 4C Clutch	Fig. 021DGQ - 524
Low / Reverse Clutch	Fig. 021DGQ - 525
Gear Train	
Reaction Planetary	Fig. 021DGQ - 609
Input / Reverse Planetary	Fig. 021DGQ - 610
Valve Body, Accumulator, Solenoid and Parking Sprag	
Valve Body And Related Parts	Fig. 021DGQ - 820
Parking Sprag And Related Parts	Fig. 021DGQ - 860
Gearshift Controls and Related Parts	
Gearshift Controls	Fig. 021DGQ - 1105
Gearshift Lever, Cable and Bracket	Fig. 021DGQ - 1115
Mounting and Skid Plate	
Structural Collar and Transmission Mount	Fig. 021DGQ - 1210
Mounting Bolts	Fig. 021DGQ - 1215

**Transmission / Transaxle Assembly
Figure 021DGQ-105**

ITEM	PART NUMBER	QTY	LINE	SERIES	BODY	ENGINE	TRANS	TRIM	DESCRIPTION
1									TRANSMISSION KIT, With Torque Converter
	68079212AA	1	T			EZH	DGQ		
	RL079181AA	1	J, U			EZH	DGQ		
2									CONVERTER KIT, Torque
	68051241AA	1	J, U			EZH	DGQ		
		1	T			EZH	DGQ		
3	01949765	4	J, T, U			EZH	DGQ		SCREW, Hex Head Header Point, .312-24x.44
4	05013457AA	AR	J, T, U						FLUID, Automatic Transmission ATF+4, Quart, Standard MS-9602-F
5	05013458AA	AR	J, T, U						FLUID, Automatic Transmission ATF+4, Gallon, Standard MS-9602-F



GRAND CHEROKEE (WK)

SERIES LINE
H = HIGHLINE T = JEEP - 2WD
P = PREMIUM J = JEEP - 4WD
S = SPORT U = JEEP - 4WD (RHD)

BODY
74 = SPORT UTILITY 4-DR
TYPE #4

ENGINE
ERB = 3.0L Mid V6 Engine
EZH = 5.7L V8 HEMI MDS
VVT Engine
EXF = 3.0L V6 Turbo Diesel
Engine

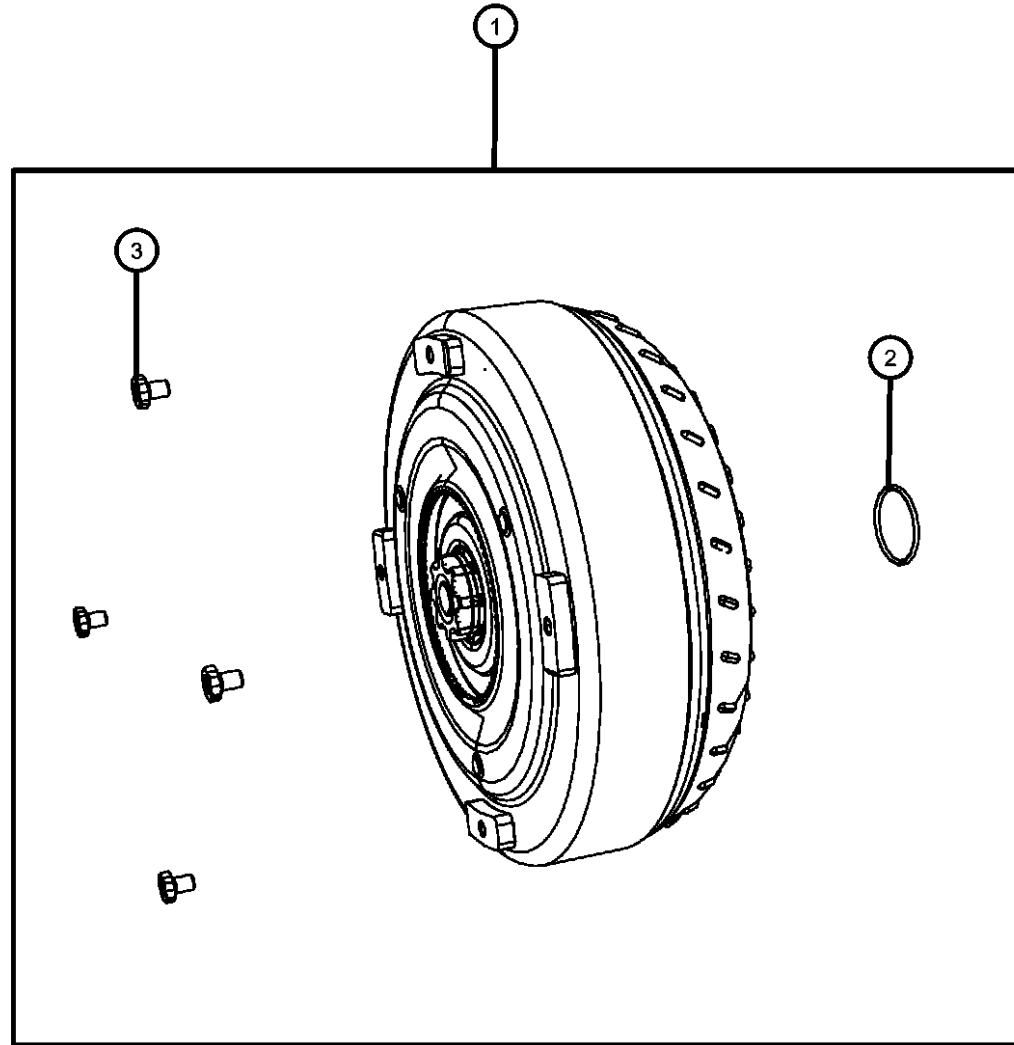
TRANSMISSION
DGQ = 5-Spd Automatic 545RFE
Transmission
DGJ = 5-Speed Auto W5A580
Transmission

AR = use ase required - = Non illustrated part

2011 WK

**Torque Converter
Figure 021DGQ-110**

ITEM	PART NUMBER	QTY	LINE	SERIES	BODY	ENGINE	TRANS	TRIM	DESCRIPTION
1	68051241AA	1	T			EZH	DGQ		CONVERTER KIT, Torque
		1	J, U			EZH	DGQ		
2	04736547	1	J, U			EZH	DGQ		O RING, Torque Converter Hub
		1	T			EZH	DGQ		
3	01949765	4	J, T, U			EZH	DGQ		SCREW, Hex Head Header Point, .312-24x.44



GRAND CHEROKEE (WK)

SERIES LINE
H = HIGHLINE T = JEEP - 2WD
P = PREMIUM J = JEEP - 4WD
S = SPORT U = JEEP - 4WD (RHD)

BODY
74 = SPORT UTILITY 4-DR
TYPE #4

ENGINE
ERB = 3.0L Mid V6 Engine
EZH = 5.7L V8 HEMI MDS
VVT Engine
EXF = 3.0L V6 Turbo Diesel
Engine

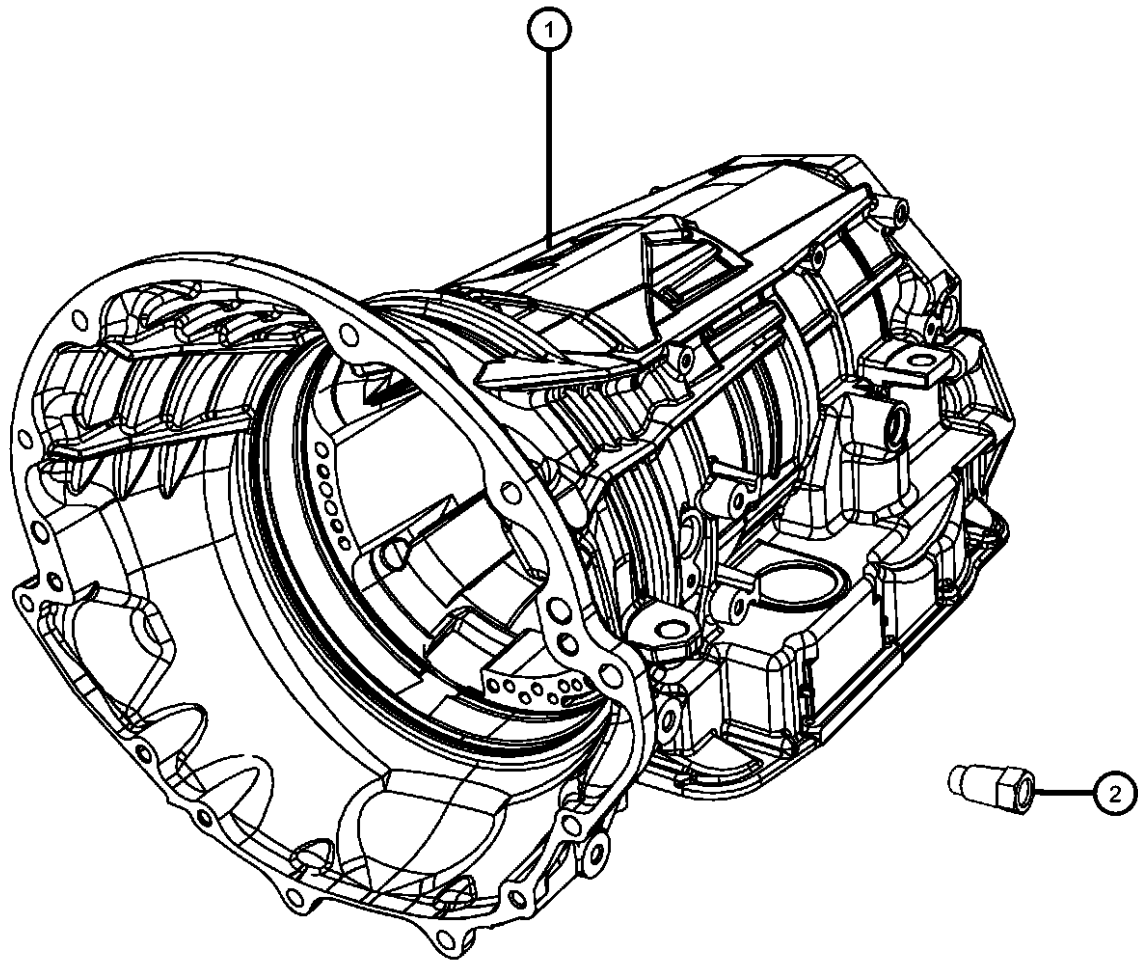
TRANSMISSION
DGQ = 5-Spd Automatic 545RFE
Transmission
DGJ = 5-Speed Auto W5A580
Transmission

AR = use ase required - = Non illustrated part

2011 WK

Case
Figure 021DGQ-205

ITEM	PART NUMBER	QTY	LINE	SERIES	BODY	ENGINE	TRANS	TRIM	DESCRIPTION
1	05189883AB	1	J, U			EZH	DGQ		CASE PACKAGE, Transmission
		1	T			EZH	DGQ		
2	06030035	7	J, U			EZH	DGQ		PLUG, Pressure Check
		7	T			EZH	DGQ		



GRAND CHEROKEE (WK)

SERIES LINE
H = HIGHLINE T = JEEP - 2WD
P = PREMIUM J = JEEP - 4WD
S = SPORT U = JEEP - 4WD (RHD)

BODY
74 = SPORT UTILITY 4-DR
TYPE #4

ENGINE
ERB = 3.0L Mid V6 Engine
EZH = 5.7L V8 HEMI MDS
VVT Engine
EXF = 3.0L V6 Turbo Diesel
Engine

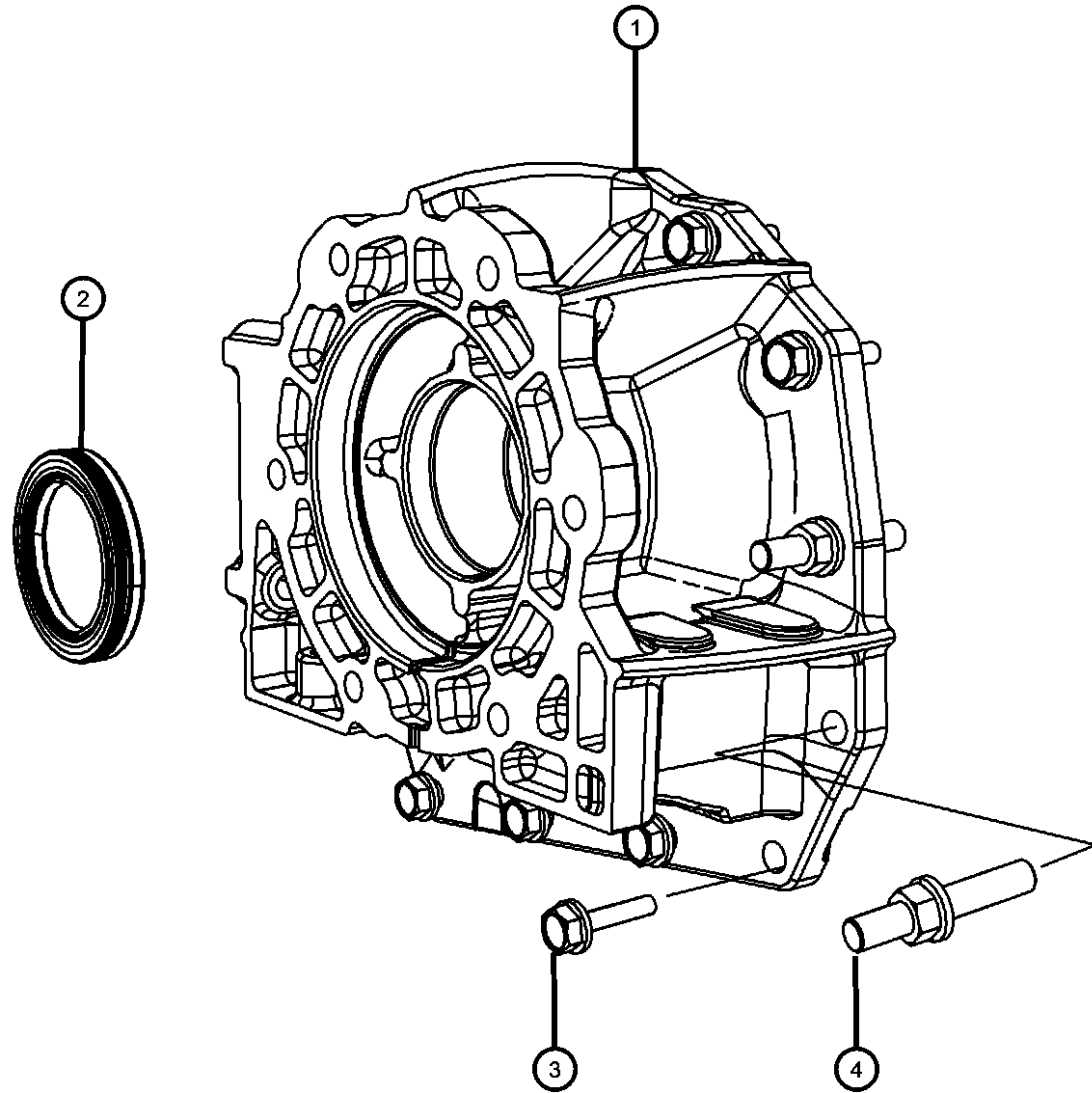
TRANSMISSION
DGQ = 5-Spd Automatic 545RFE
Transmission
DGJ = 5-Speed Auto W5A580
Transmission

AR = use ase required - = Non illustrated part

2011 WK

**Adapter
Figure 021DGQ-221**

ITEM	PART NUMBER	QTY	LINE	SERIES	BODY	ENGINE	TRANS	TRIM	DESCRIPTION
1	04736679AA	1	J, U			EZH	DGQ		ADAPTER, Transfer Case
2	52119498AA	1	J, U			EZH	DGQ		SEAL, Adapter
3	06504774	10	J, U			EZH	DGQ		SCREW AND WASHER, Hex Head, M10x1.5x37
4	06505064AA	2	J, U			EZH	DGQ		STUD, M10x1.5x62



GRAND CHEROKEE (WK)

SERIES	LINE
H = HIGHLINE	T = JEEP - 2WD
P = PREMIUM	J = JEEP - 4WD
S = SPORT	U = JEEP - 4WD (RHD)

BODY
74 = SPORT UTILITY 4-DR TYPE #4

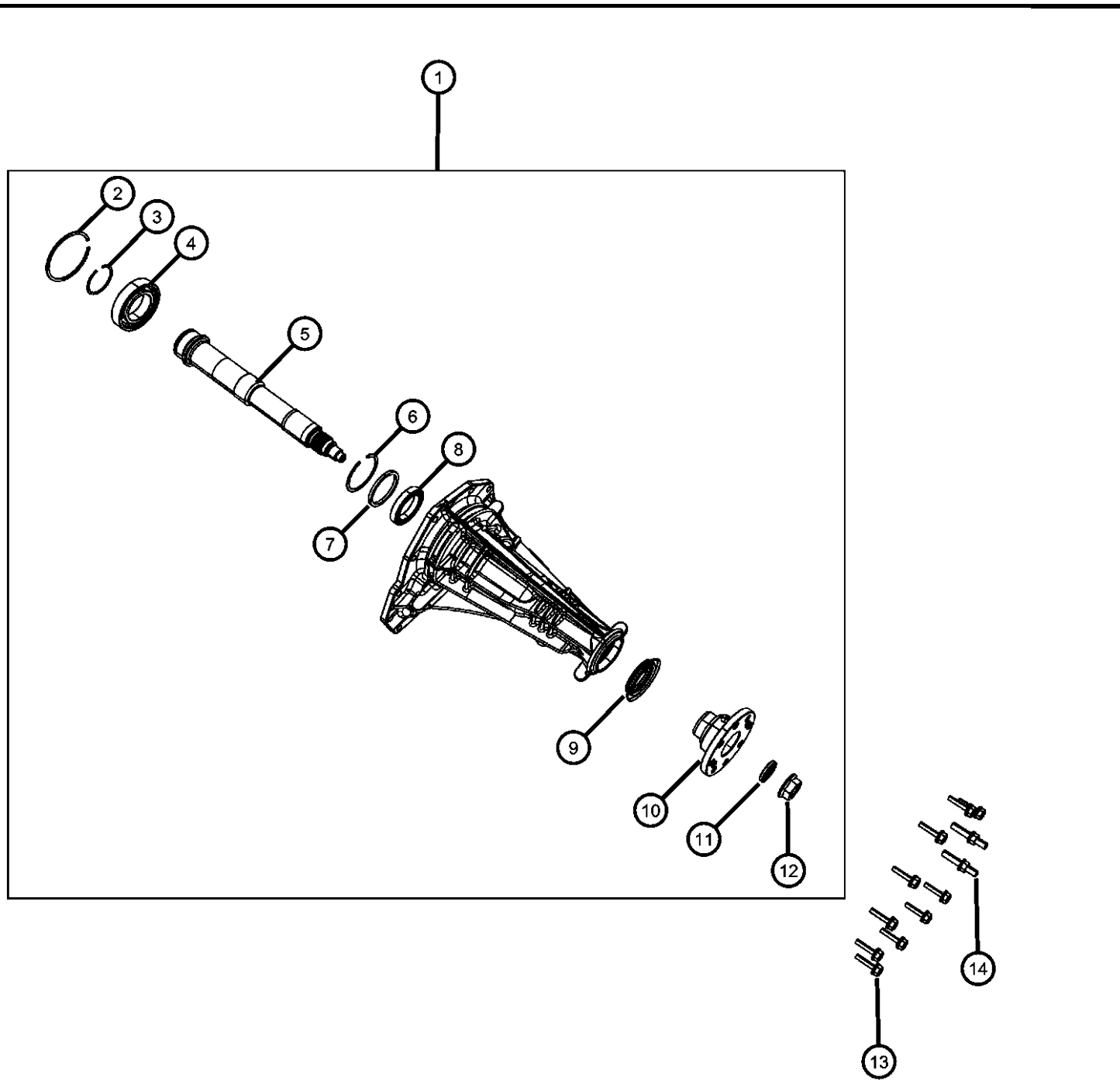
ENGINE
ERB = 3.0L Mid V6 Engine
EZH = 5.7L V8 HEMI MDS VVT Engine
EXF = 3.0L V6 Turbo Diesel Engine

TRANSMISSION
DGQ = 5-Spd Automatic 545RFE Transmission
DGJ = 5-Speed Auto W5A580 Transmission

AR = use ase required - = Non illustrated part

2011 WK

Extension
Figure 021DGQ-222



ITEM	PART NUMBER	QTY	LINE	SERIES	BODY	ENGINE	TRANS	TRIM	DESCRIPTION
1	04736678AC	1	T			EZH	DGQ		HOUSING, Transmission Rear Extension
2	04800715AA	1	T			EZH	DGQ		SNAP RING
3	04800721AA	1	T			EZH	DGQ		SNAP RING
4	04800716AA	1	T			EZH	DGQ		BEARING, Input Gear
5		1							SHAFT, (NOT SERVICED)
6	04800717AA	1	T			EZH	DGQ		SNAP RING
7		1							SPACER, (NOT SERVICED)
8		1							BEARING, (NOT SERVICED)
9	04800720AA	1	T			EZH	DGQ		SEAL
10	04800723AA	1	T			EZH	DGQ		FLANGE, Driveshaft Yoke
11	04800724AA	1	T			EZH	DGQ		SEAL
12	06509598AA	1	T			EZH	DGQ		NUT, Hex Flange Lock, M22x1.50
13	06504774	10	T			EZH	DGQ		SCREW AND WASHER, Hex Head, M10x1.5x37
14	06505064AA	2	T			EZH	DGQ		STUD, M10x1.5x62

GRAND CHEROKEE (WK)

SERIES LINE
H = HIGHLINE T = JEEP - 2WD
P = PREMIUM J = JEEP - 4WD
S = SPORT U = JEEP - 4WD (RHD)

BODY
74 = SPORT UTILITY 4-DR TYPE #4

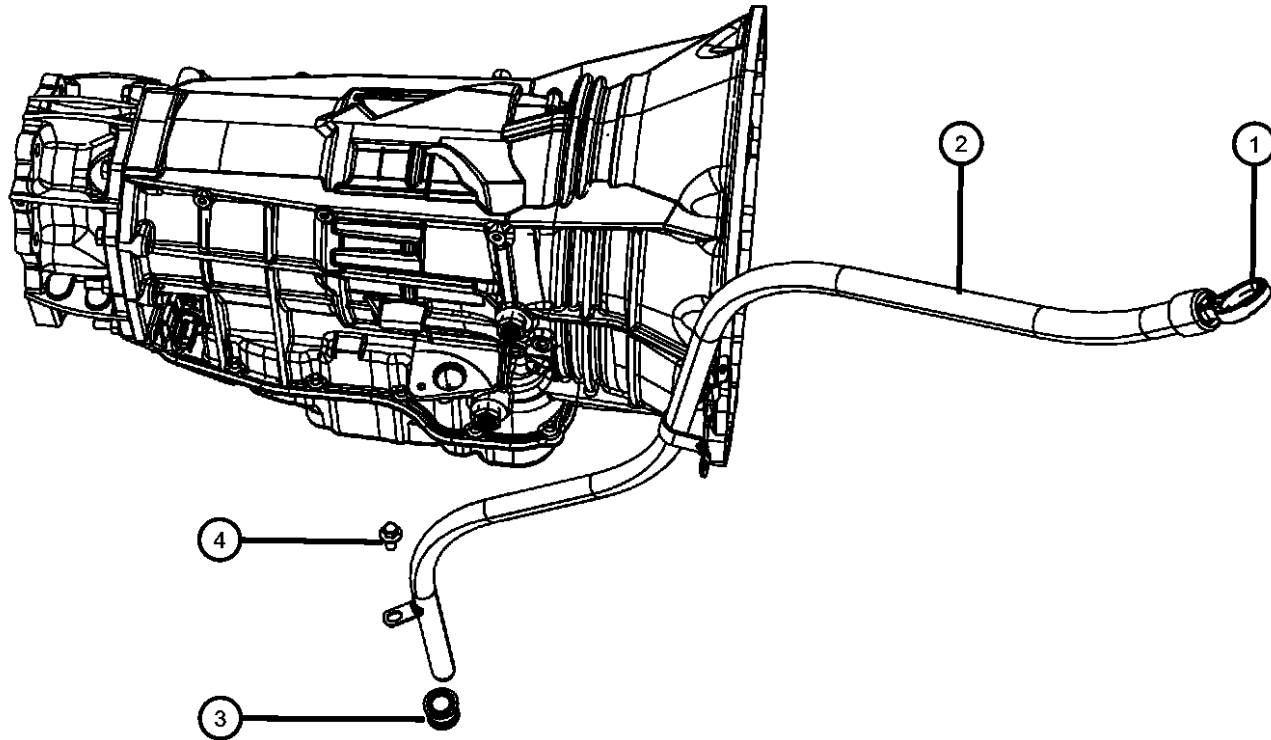
ENGINE
ERB = 3.XL Mid V6 Engine
EZH = 5.7L V8 HEMI MDS VVT Engine
EXF = 3.0L V6 Turbo Diesel Engine

TRANSMISSION
DGQ = 5-Spd Automatic 545RFE Transmission
DGJ = 5-Speed Auto W5A580 Transmission

AR = use ase required - = Non illustrated part

**Oil Fill Tube And Related Parts
Figure 021DGQ-225**

ITEM	PART NUMBER	QTY	LINE	SERIES	BODY	ENGINE	TRANS	TRIM	DESCRIPTION
1	53034188AB	1	J, T, U			EZH	DGQ		INDICATOR, Transmission Fluid Level
2	53034187AB	1	J, T, U			EZH	DGQ		TUBE, Transmission Oil Filler
3	04810021AB	1	J, U			EZH	DGQ		GROMMET
4	06501979	1	J, T, U				DGJ, DGQ		BOLT, Hex Flange Head, M6X1.00X17.00



GRAND CHEROKEE (WK)

SERIES LINE
H = HIGHLINE T = JEEP - 2WD
P = PREMIUM J = JEEP - 4WD
S = SPORT U = JEEP - 4WD (RHD)

BODY
74 = SPORT UTILITY 4-DR
TYPE #4

ENGINE
ERB = 3.XL Mid V6 Engine
EZH = 5.7L V8 HEMI MDS
VVT Engine
EXF = 3.0L V6 Turbo Diesel
Engine

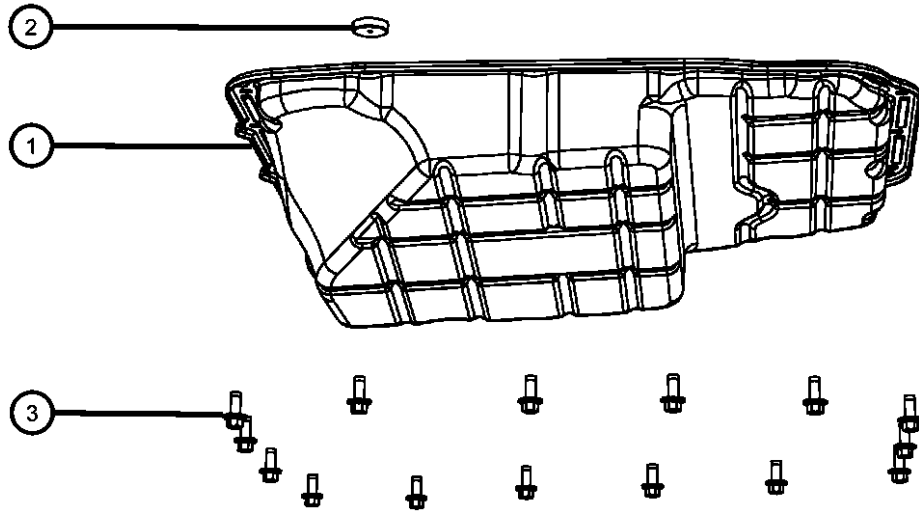
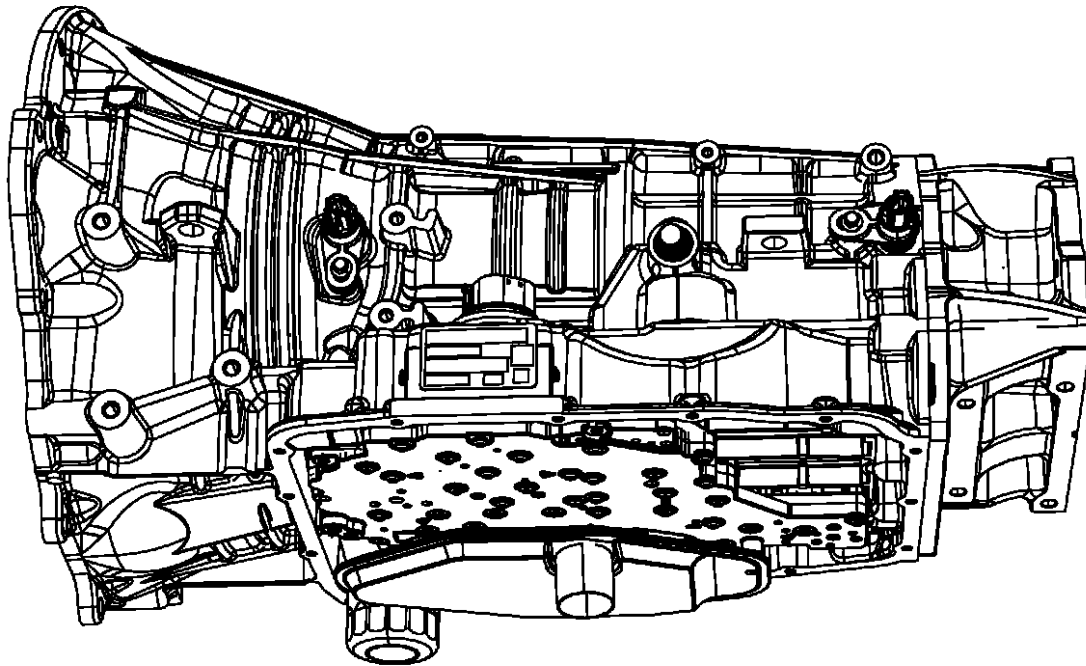
TRANSMISSION
DGQ = 5-Spd Automatic 545RFE
Transmission
DGJ = 5-Speed Auto W5A580
Transmission

AR = use ase required - = Non illustrated part

2011 WK

**Oil Pan, Cover And Related Parts
Figure 021DGQ-230**

ITEM	PART NUMBER	QTY	LINE	SERIES	BODY	ENGINE	TRANS	TRIM	DESCRIPTION
1	04736676AA	1	J, U			EZH	DGQ		PAN, Transmission oil
		1	T			EZH	DGQ		
2	04446728	1	J, U			EZH	DGQ		MAGNET, Transmission
		1	T			EZH	DGQ		
3	06101419	15	J, U			EZH	DGQ		BOLT, Hex Head, M6x1.00x14
		15	T			EZH	DGQ		



GRAND CHEROKEE (WK)

SERIES LINE
H = HIGHLINE T = JEEP - 2WD
P = PREMIUM J = JEEP - 4WD
S = SPORT U = JEEP - 4WD (RHD)

BODY
74 = SPORT UTILITY 4-DR
TYPE #4

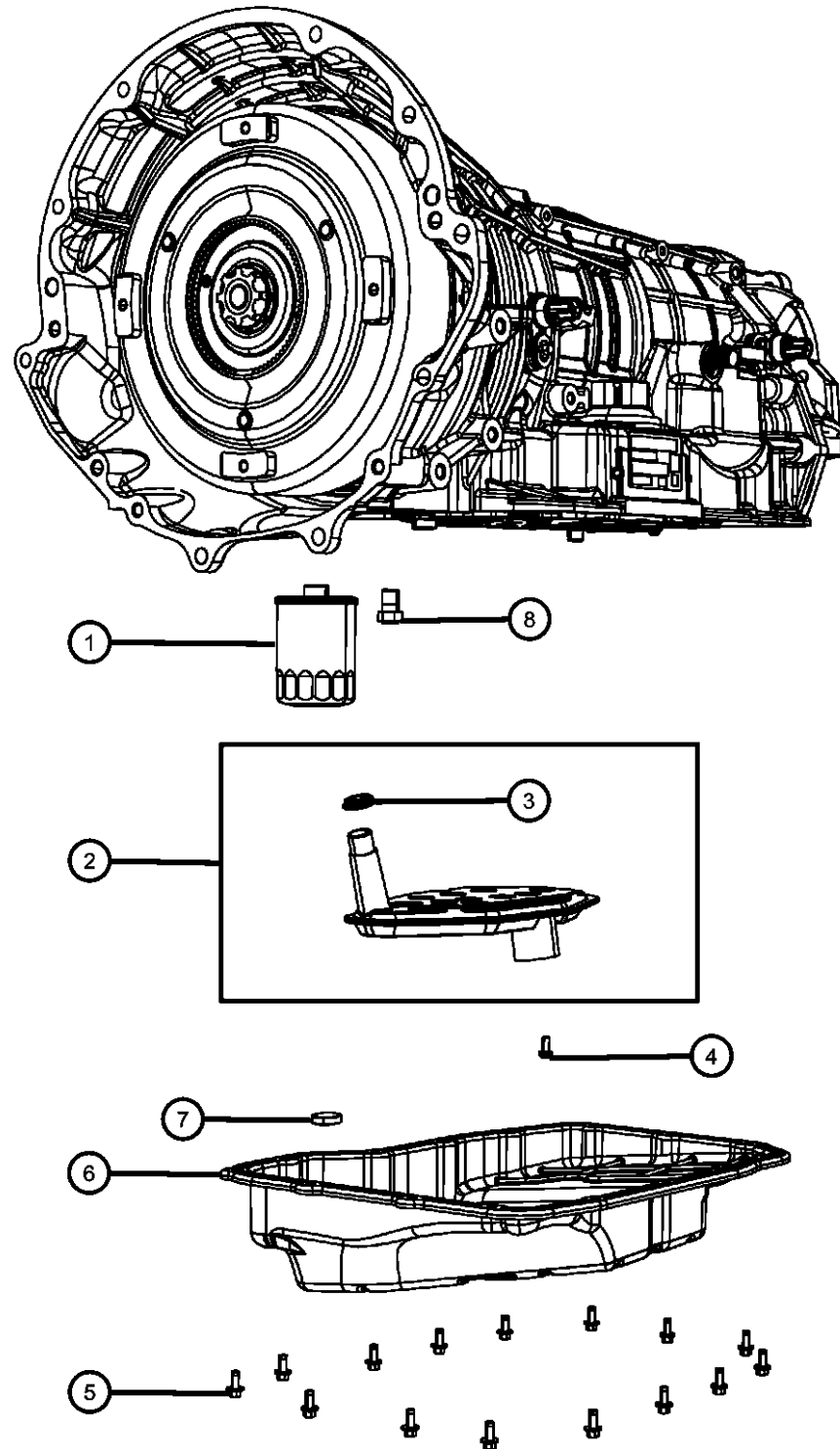
ENGINE
ERB = 3.XL Mid V6 Engine
EZH = 5.7L V8 HEMI MDS
VVT Engine
EXF = 3.0L V6 Turbo Diesel
Engine

TRANSMISSION
DGQ = 5-Spd Automatic 545RFE
Transmission
DGJ = 5-Speed Auto W5A580
Transmission

AR = use ase required - = Non illustrated part

2011 WK

Filters
Figure 021DGQ-235



ITEM	PART NUMBER	QTY	LINE	SERIES	BODY	ENGINE	TRANS	TRIM	DESCRIPTION
1	05179267AC	1	J, U			EZH	DGQ		FILTER PACKAGE, Transmission Oil
		1	T			EZH	DGQ		
2	05013470AD	1	J, U			EZH	DGQ		SUMP FILTER KIT, Transmission Oil
		1	T			EZH	DGQ		
3	04799964AD	1	J, U			EZH	DGQ		SEAL, Sump Filter
		1	T			EZH	DGQ		
4	06503232	1	J, U			EZH	DGQ		SCREW, Pan Head, M5 x 0.8 x 12.60
		1	T			EZH	DGQ		
5	06101419	15	J, U			EZH	DGQ		BOLT, Hex Head, M6x1.00x14
		15	T			EZH	DGQ		
6	04736676AA	1	J, U			EZH	DGQ		PAN, Transmission oil
		1	T			EZH	DGQ		
7	04446728	1	J, U			EZH	DGQ		MAGNET, Transmission
		1	T			EZH	DGQ		
8	04799681	1	J, U			EZH	DGQ		VALVE, Flow Control
		1	T			EZH	DGQ		

GRAND CHEROKEE (WK)

SERIES LINE
H = HIGHLINE T = JEEP - 2WD
P = PREMIUM J = JEEP - 4WD
S = SPORT U = JEEP - 4WD (RHD)

BODY
74 = SPORT UTILITY 4-DR
TYPE #4

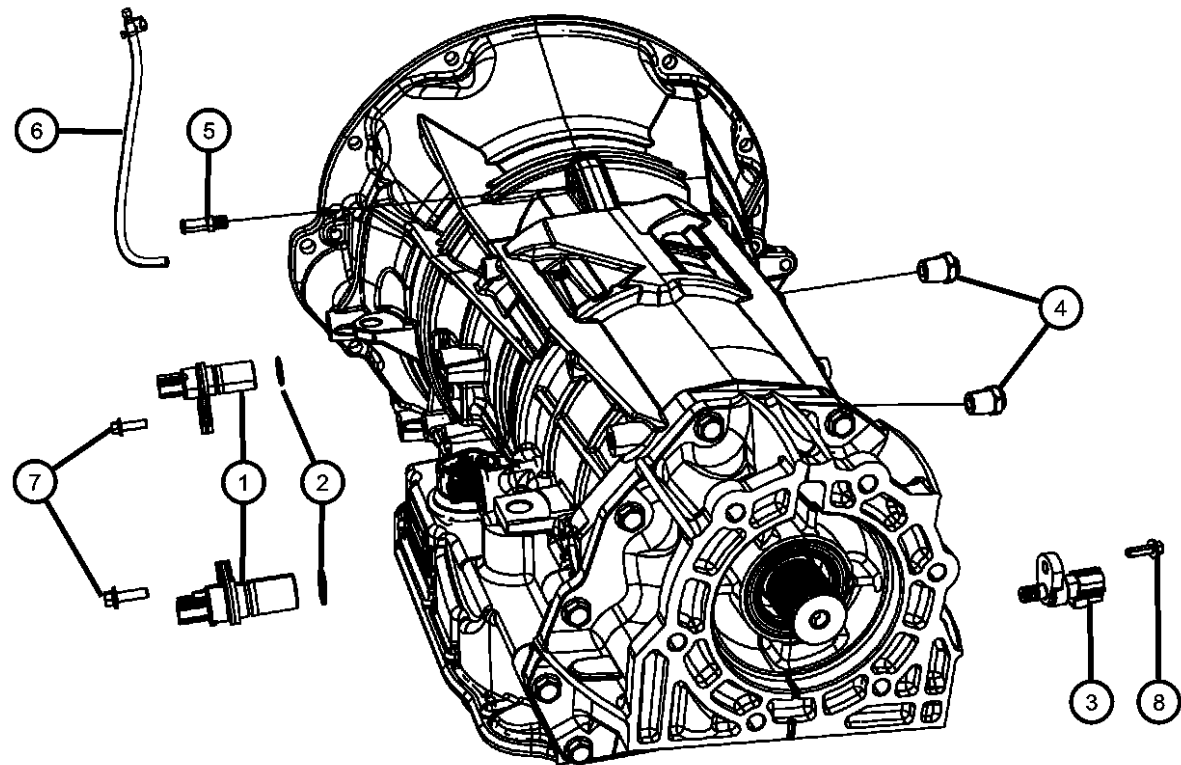
ENGINE
ERB = 3.0L V6 Engine
EZH = 5.7L V8 HEMI MDS
VVT Engine
EXF = 3.0L V6 Turbo Diesel
Engine

TRANSMISSION
DGQ = 5-Spd Automatic 545RFE
Transmission
DGJ = 5-Speed Auto W5A580
Transmission

AR = use ase required - = Non illustrated part

2011 WK

Sensors, Vents And Quick Connectors
Figure 021DGQ-240



ITEM	PART NUMBER	QTY	LINE	SERIES	BODY	ENGINE	TRANS	TRIM	DESCRIPTION
1									SENSOR, Transmission Input Speed
	04799061AB	2	J, U			EZH	DGQ		
		2	T			EZH	DGQ		
2									O RING
	04799062	2	J, U			EZH	DGQ		
		2	T			EZH	DGQ		
3									TRANSDUCER, Pressure Sensor
	04799758AD	1	J, U			EZH	DGQ		
		1	T			EZH	DGQ		
4									FITTING, Quick Connect
	52119547AA	2	J, U			EZH	DGQ		
		2	T			EZH	DGQ		
5									VENT, Transmission
	04799861AB	1	J, U			EZH	DGQ		
		1	T			EZH	DGQ		
6									VENT
	04593990AA	1	J, T, U				DGQ		
7									BOLT AND CONED WASHER, Hex head, M6X1.00X20.00
	06101331	2	J, U			EZH	DGQ		
		2	T			EZH	DGQ		
8									BOLT AND CONED WASHER, Hex head, M6X1.00X20.00
	06101331	1	J, U			EZH	DGQ		
		1	T			EZH	DGQ		

GRAND CHEROKEE (WK)

SERIES LINE
H = HIGHLINE T = JEEP - 2WD
P = PREMIUM J = JEEP - 4WD
S = SPORT U = JEEP - 4WD (RHD)

BODY
74 = SPORT UTILITY 4-DR
TYPE #4

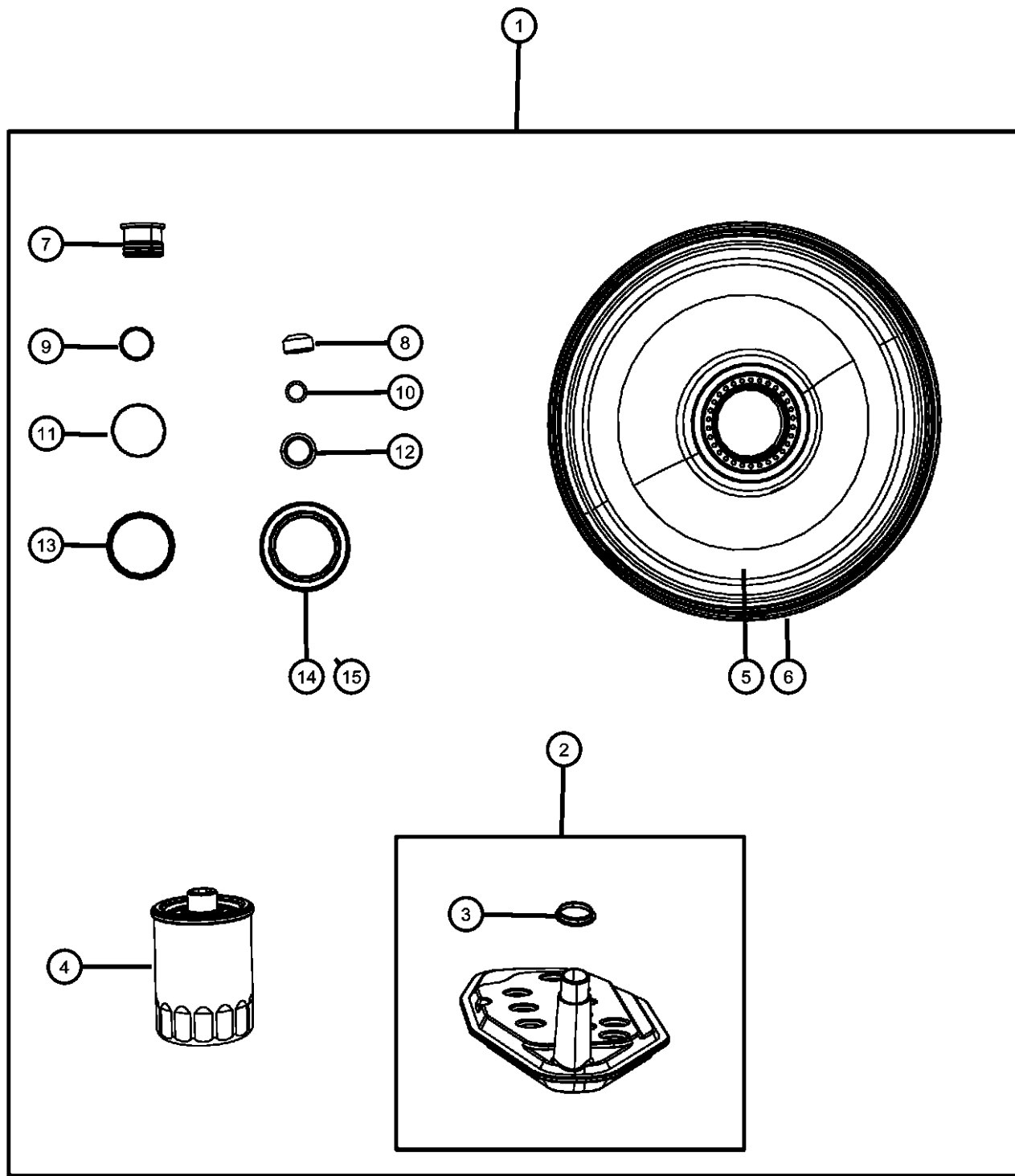
ENGINE
ERB = 3.XL Mid V6 Engine
EZH = 5.7L V8 HEMI MDS
VVT Engine
EXF = 3.0L V6 Turbo Diesel
Engine

TRANSMISSION
DGQ = 5-Spd Automatic 545RFE
Transmission
DGJ = 5-Speed Auto W5A580
Transmission

AR = use ase required - = Non illustrated part

2011 WK

Seal and Shim Packages
Figure 021DGQ-305



ITEM	PART NUMBER	QTY	LINE	SERIES	BODY	ENGINE	TRANS	TRIM	DESCRIPTION
1	68010041AC	1	T			EZH	DGQ		SEAL PACKAGE, Transmission
		1	J, U			EZH	DGQ		
2	05013470AD	1	J, U			EZH	DGQ		SUMP FILTER KIT, Transmission Oil
		1	T			EZH	DGQ		
3	04799964AD	1	T			EZH	DGQ		SEAL, Sump Filter
		1	J, U			EZH	DGQ		
4	05179267AC	1	J, U			EZH	DGQ		FILTER PACKAGE, Transmission Oil
		1	T			EZH	DGQ		
5	68009859AB	1	T			EZH	DGQ		COVER, Oil Pump
		1	J, U			EZH	DGQ		
6	04799003AB	1	J, U			EZH	DGQ		O RING, Pump Cover
		1	T			EZH	DGQ		
7	04810021AB	1	J, U			EZH	DGQ		GROMMET
		1	T			EZH	DGQ		
8	04799778	3	J, U			EZH	DGQ		SEAL, Clutch Feed
		3	T			EZH	DGQ		
9	04799062	2	T			EZH	DGQ		O RING
		2	J, U			EZH	DGQ		
10	06505335AA	1	J, U			EZH	DGQ		O RING, Control Valve
		1	T			EZH	DGQ		
11		1							SEAL, Accumulator, Seal is part of the piston for 2011, (NOT SERVICED)
12	04799346	1	J, U			EZH	DGQ		SEAL

GRAND CHEROKEE (WK)

SERIES LINE
H = HIGHLINE T = JEEP - 2WD
P = PREMIUM J = JEEP - 4WD
S = SPORT U = JEEP - 4WD (RHD)

BODY
74 = SPORT UTILITY 4-DR
TYPE #4

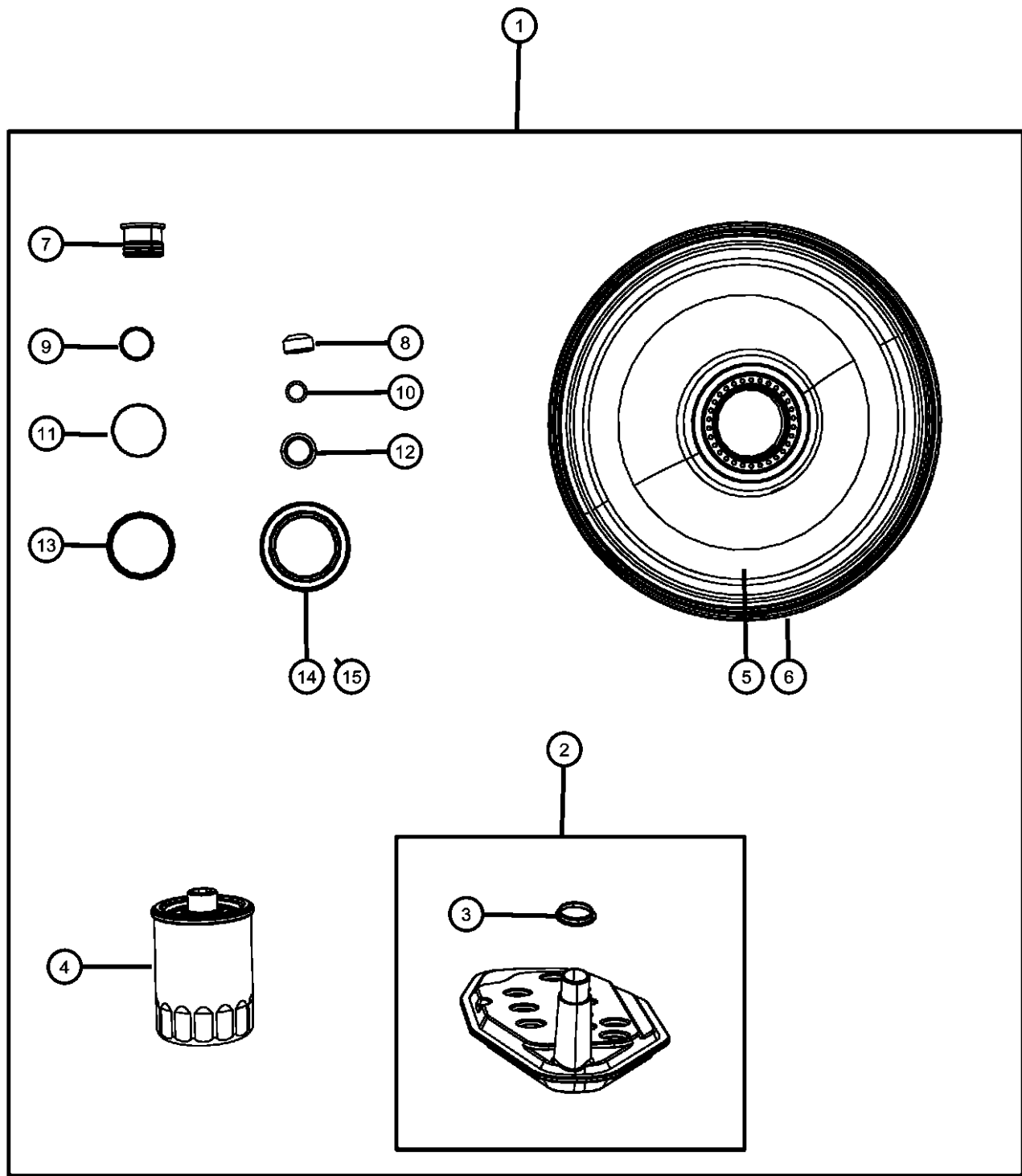
ENGINE
ERB = 3.XL Mid V6 Engine
EZH = 5.7L V8 HEMI MDS
VVT Engine
EXF = 3.0L V6 Turbo Diesel
Engine

TRANSMISSION
DGQ = 5-Spd Automatic 545RFE
Transmission
DGJ = 5-Speed Auto W5A580
Transmission

AR = use ase required - = Non illustrated part

2011 WK

Seal and Shim Packages
Figure 021DGQ-305



ITEM	PART NUMBER	QTY	LINE	SERIES	BODY	ENGINE	TRANS	TRIM	DESCRIPTION
		1	T			EZH	DGQ		
13		1	J, U			EZH	DGQ		O RING, Torque Converter Hub
	04736547	1	T			EZH	DGQ		
14	68024699AB	1	T			EZH	DGQ		SEAL, Output Shaft
15	52119498AA	1	J, U			EZH	DGQ		SEAL, Adapter

GRAND CHEROKEE (WK)

SERIES LINE
H = HIGHLINE T = JEEP - 2WD
P = PREMIUM J = JEEP - 4WD
S = SPORT U = JEEP - 4WD (RHD)

BODY
74 = SPORT UTILITY 4-DR
TYPE #4

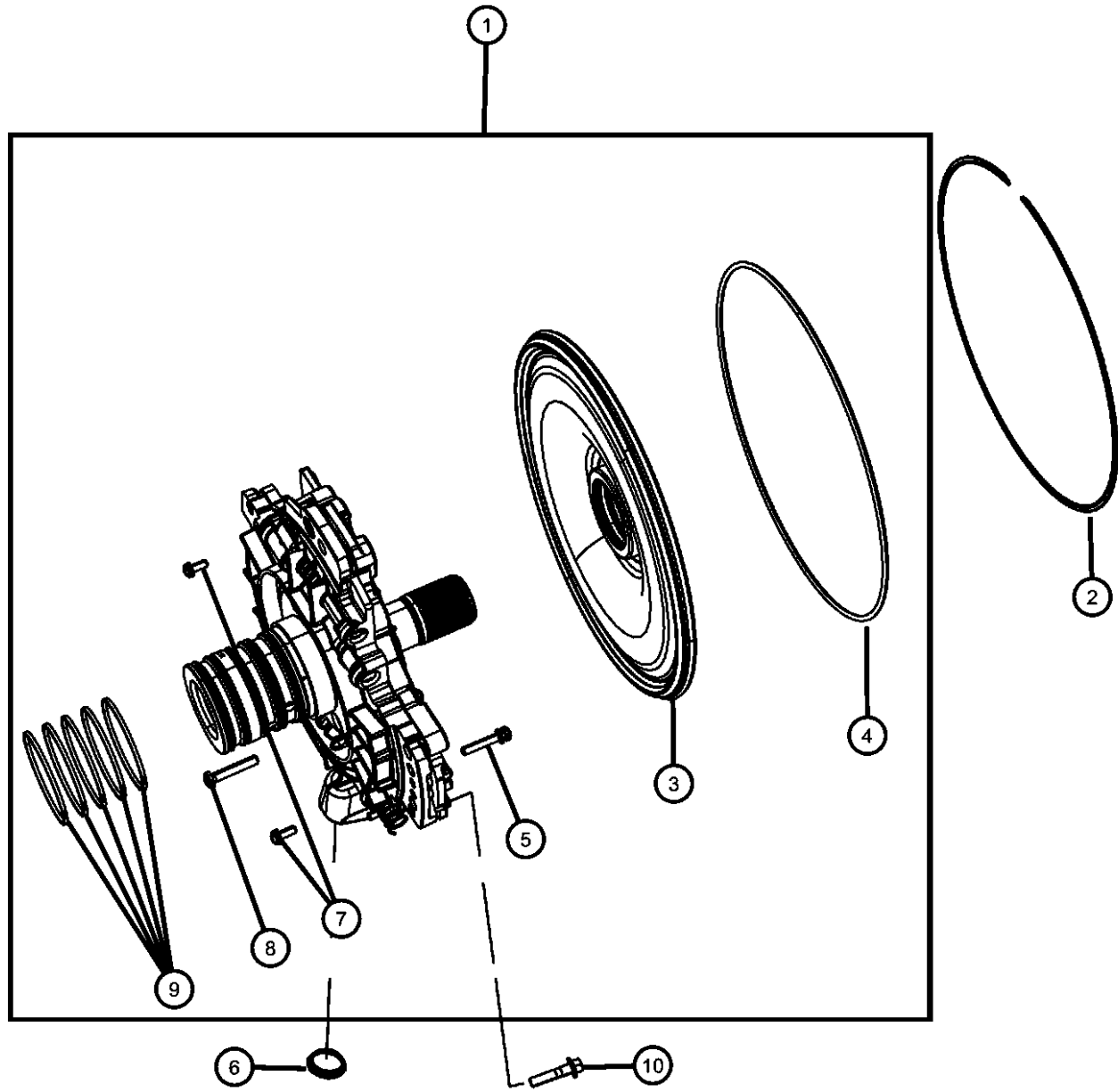
ENGINE
ERB = 3.0L Mid V6 Engine
EZH = 5.7L V8 HEMI MDS
VVT Engine
EXF = 3.0L V6 Turbo Diesel
Engine

TRANSMISSION
DGQ = 5-Spd Automatic 545RFE
Transmission
DGJ = 5-Speed Auto W5A580
Transmission

AR = use ase required - = Non illustrated part

2011 WK

**Oil Pump and Related Parts
Figure 021DGQ-415**



ITEM	PART NUMBER	QTY	LINE	SERIES	BODY	ENGINE	TRANS	TRIM	DESCRIPTION
1	68009879AD	1	J, U			EZH	DGQ		PUMP KIT, Transmission oil
		1	T			EZH	DGQ		
2	04799005	1	J, U			EZH	DGQ		SNAP RING, Pump Cover
		1	T			EZH	DGQ		
3	68009859AB	1	T			EZH	DGQ		COVER, Oil Pump
		1	J, U			EZH	DGQ		
4	04799003AB	1	J, U			EZH	DGQ		O RING, Pump Cover
		1	T			EZH	DGQ		
5	06504780AA	24	J, U			EZH	DGQ		SCREW
		24	T			EZH	DGQ		
6	04799964AD	1	J, U			EZH	DGQ		SEAL, Sump Filter
		1	T			EZH	DGQ		
7	06503232	2	J, U			EZH	DGQ		SCREW, Pan Head, M5 x 0.8 x 12.60
		2	T			EZH	DGQ		
8	06504661	5	J, U			EZH	DGQ		SCREW, Button Head
		5	T			EZH	DGQ		
9	04799056	5	J, U			EZH	DGQ		RING, Transmission
		5	T			EZH	DGQ		
10	06101526	6	J, U			EZH	DGQ		SCREW, Hex Flange Head, M8x1.25x35, Pump To Case
		6	T			EZH	DGQ		

GRAND CHEROKEE (WK)

SERIES LINE
H = HIGHLINE T = JEEP - 2WD
P = PREMIUM J = JEEP - 4WD
S = SPORT U = JEEP - 4WD (RHD)

BODY
74 = SPORT UTILITY 4-DR
TYPE #4

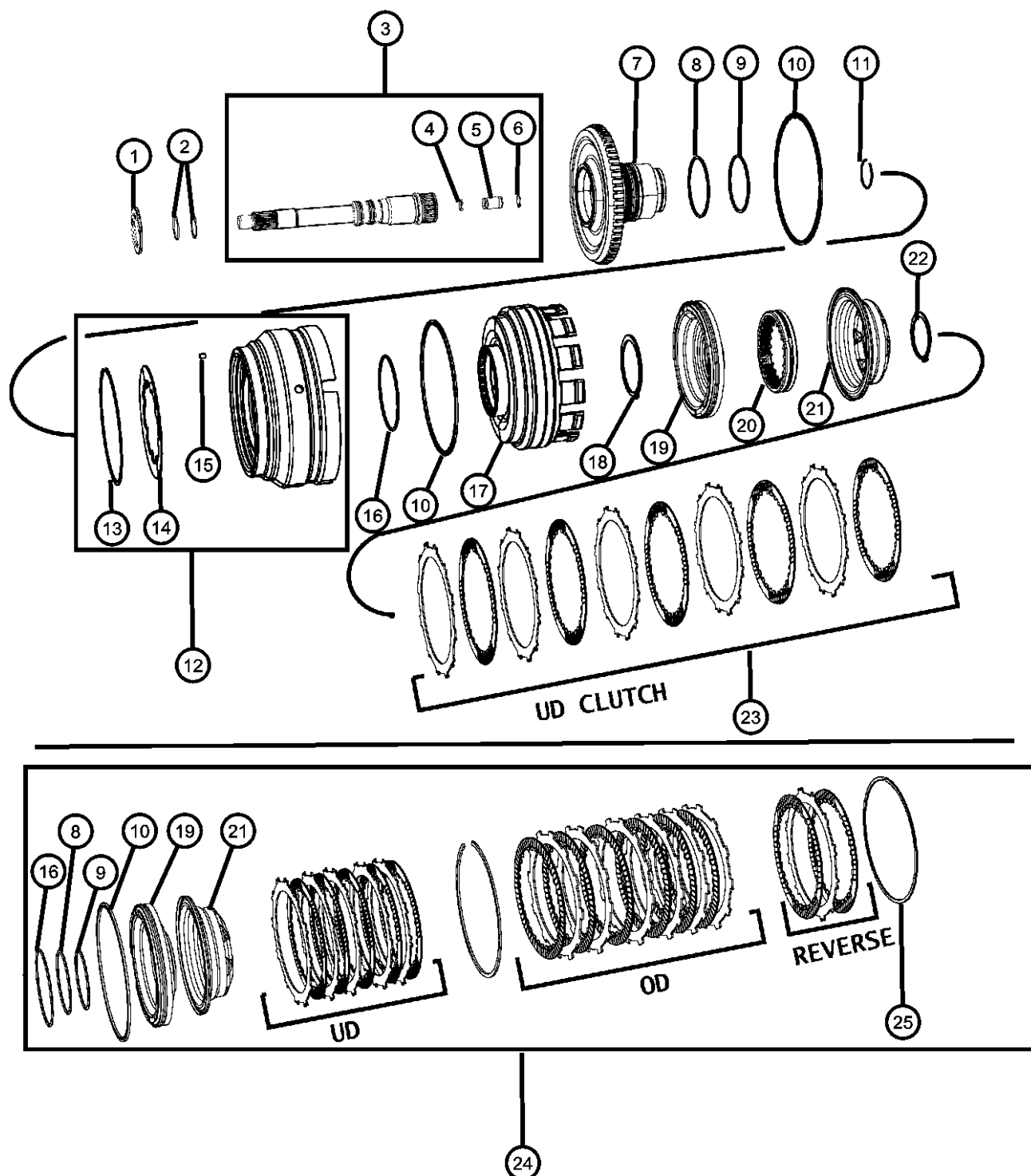
ENGINE
ERB = 3.0L V6 Engine
EZH = 5.7L V8 HEMI MDS
VVT Engine
EXF = 3.0L V6 Turbo Diesel
Engine

TRANSMISSION
DGQ = 5-Spd Automatic 545RFE
Transmission
DGJ = 5-Speed Auto W5A580
Transmission

AR = use ase required - = Non illustrated part

2011 WK

**Input Clutch Assembly
Figure 021DGQ-521**



ITEM	PART NUMBER	QTY	LINE	SERIES	BODY	ENGINE	TRANS	TRIM	DESCRIPTION
	68029262AA	1	J, U			EZH	DGQ		
		1	T			EZH	DGQ		
13	04799088	1	J, U			EZH	DGQ		SNAP RING, Transmission
		1	T			EZH	DGQ		
14	52119970AA	1	J, U			EZH	DGQ		SPRING, Piston Return
		1	T			EZH	DGQ		
15	04531903	1	J, U			EZH	DGQ		FILTER, Reverse And O/D Clutch
		1	T			EZH	DGQ		
16	04799089	1	J, U			EZH	DGQ		O RING, Reverse & O/Drive Clutch Piston, Transmission
		1	T			EZH	DGQ		
17	04799648AB	1	T			EZH	DGQ		RETAINER, Transmission Input Clutch
		1	J, U			EZH	DGQ		
18	04799097	1	J, U			EZH	DGQ		SNAP RING
		1	T			EZH	DGQ		
19	04799650	1	J, U			EZH	DGQ		PISTON, Underdrive
		1	T			EZH	DGQ		
20	04799101	1	J, U			EZH	DGQ		SPRING, Undredrive Piston
		1	T			EZH	DGQ		
21	04799652	1	J, U			EZH	DGQ		PISTON, Underdrive
		1	T			EZH	DGQ		
22	04799103	1	J, U			EZH	DGQ		SNAP RING, Transmission
		1	T			EZH	DGQ		

GRAND CHEROKEE (WK)

SERIES LINE
H = HIGHLINE T = JEEP - 2WD
P = PREMIUM J = JEEP - 4WD
S = SPORT U = JEEP - 4WD (RHD)

BODY
74 = SPORT UTILITY 4-DR
TYPE #4

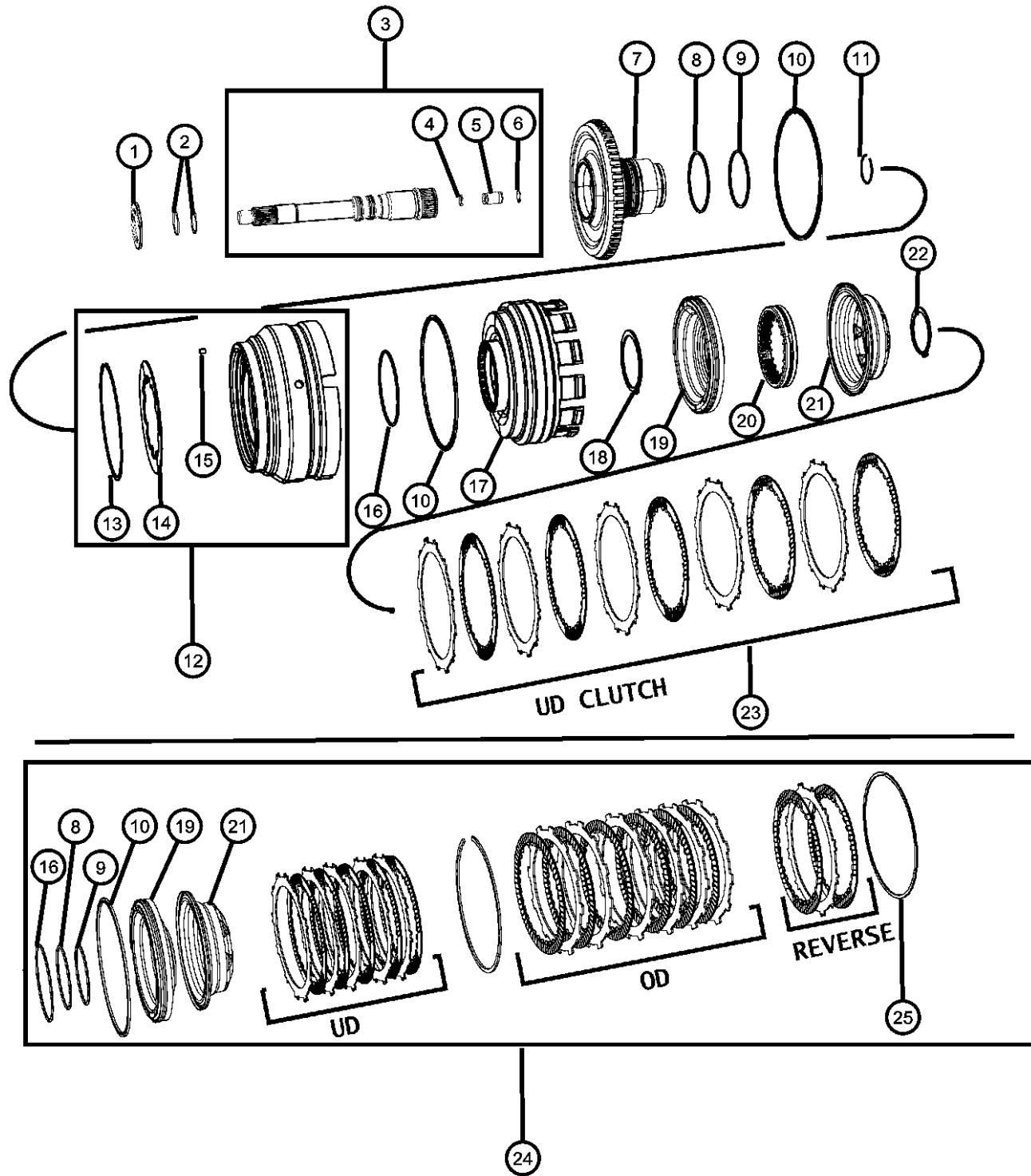
ENGINE
ERB = 3.0L Mid V6 Engine
EZH = 5.7L V8 HEMI MDS
VVT Engine
EXF = 3.0L V6 Turbo Diesel
Engine

TRANSMISSION
DGQ = 5-Spd Automatic 545RFE
Transmission
DGJ = 5-Speed Auto W5A580
Transmission

AR = use ase required - = Non illustrated part

2011 WK

**Input Clutch Assembly
Figure 021DGQ-521**



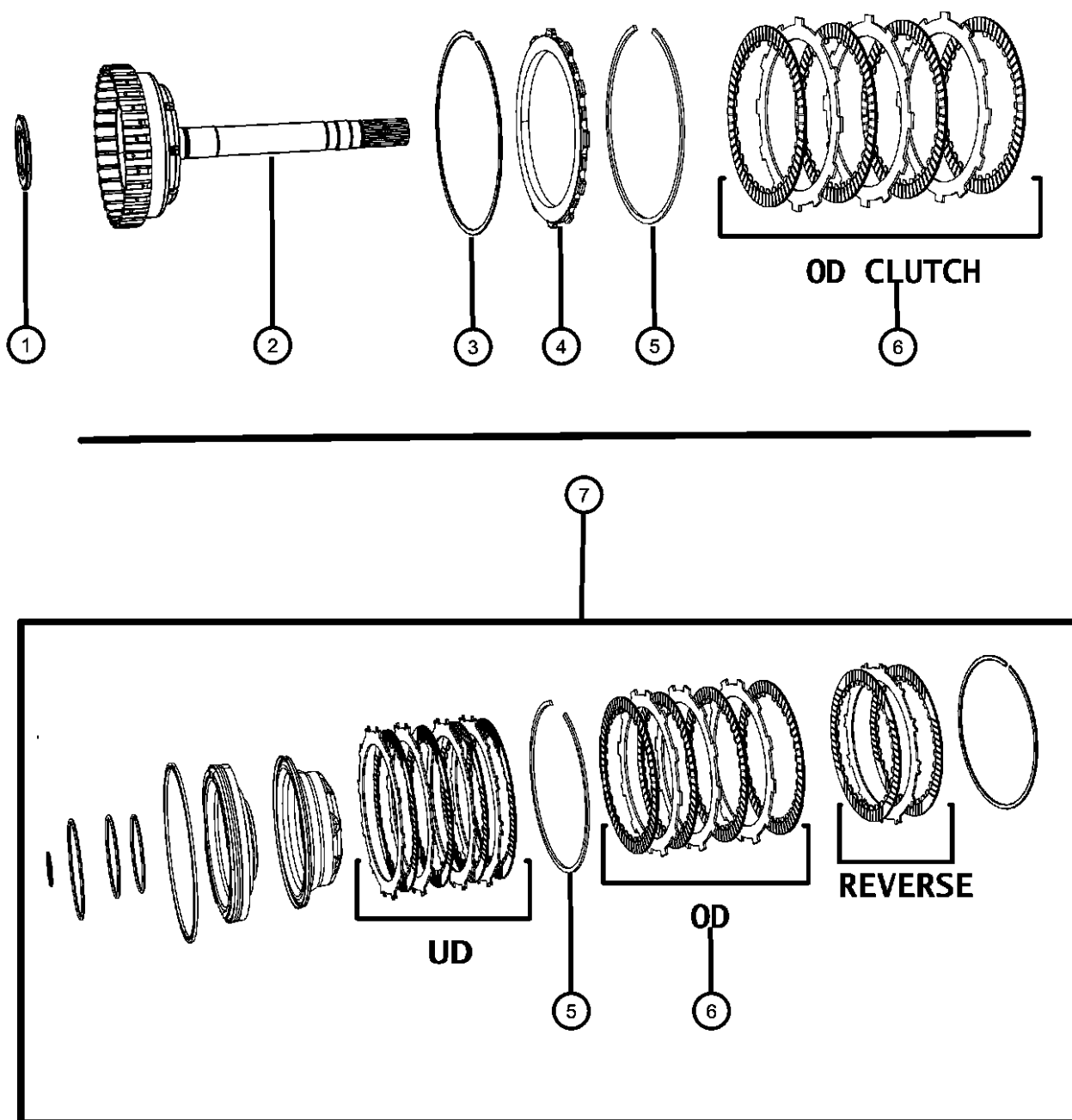
ITEM	PART NUMBER	QTY	LINE	SERIES	BODY	ENGINE	TRANS	TRIM	DESCRIPTION
23		1							CLUTCH PACKAGE, Underdrive clutch, Serviced With Item #24, (NOT SERVICED)
24									CLUTCH KIT, Automatic Transmission, Input
	05013090AH	1	J, U			EZH	DGQ		
	05013090AI	1	T			EZH	DGQ		
25		1							SNAP RING, Selective, (NOT SERVICED)

GRAND CHEROKEE (WK)

SERIES	LINE	BODY	ENGINE	TRANSMISSION
H = HIGHLINE	T = JEEP - 2WD	74 = SPORT UTILITY 4-DR	ERB = 3.0L Mid V6 Engine	DGQ = 5-Spd Automatic 545RFE
P = PREMIUM	J = JEEP - 4WD	TYPE #4	EZH = 5.7L V8 HEMI MDS	Transmission
S = SPORT	U = JEEP - 4WD (RHD)		VVT Engine	DGJ = 5-Speed Auto W5A580
			EXF = 3.0L V6 Turbo Diesel	Transmission
			Engine	

AR = use ase required - = Non illustrated part

**Input Clutch Assembly
Figure 021DGQ-522**



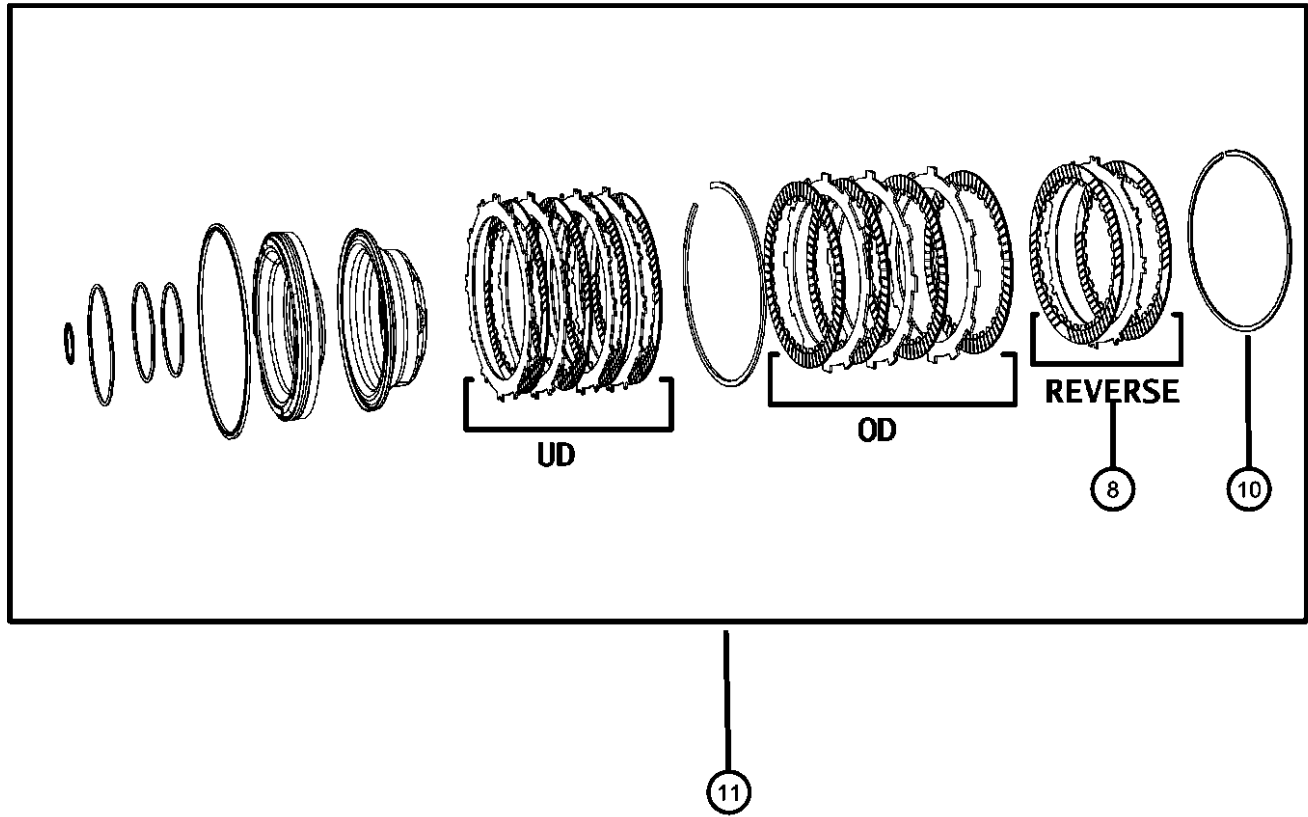
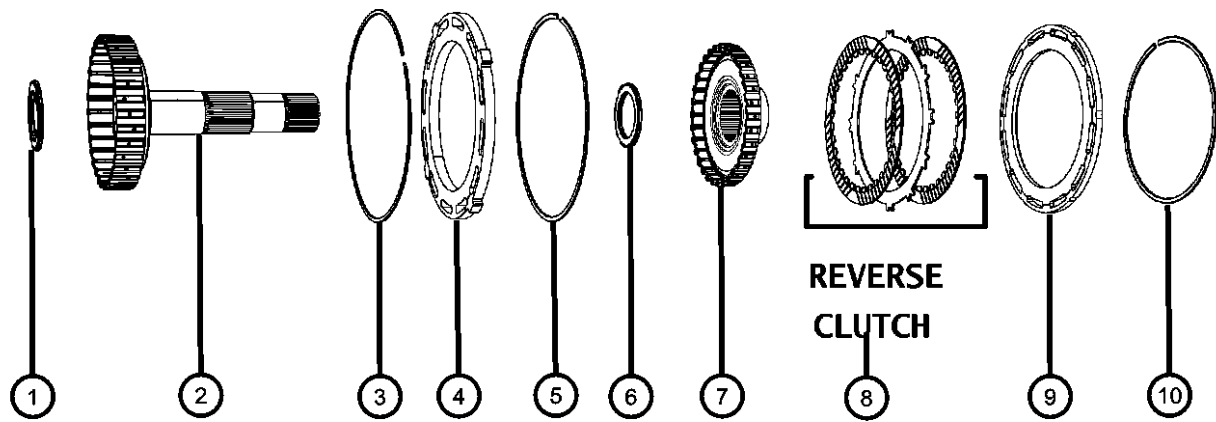
ITEM	PART NUMBER	QTY	LINE	SERIES	BODY	ENGINE	TRANS	TRIM	DESCRIPTION
1	04799469	1	J, U			EZH	DGQ		THRUST BEARING, Needle Roller
2	05127485AA	1	J, U			EZH	DGQ		HUB AND SHAFT, Underdrive Clutch
3	04799760	1	J, U			EZH	DGQ		SNAP RING, Transmission
4	68009902AB	1	T			EZH	DGQ		PLATE PACKAGE, Ud/od clutch reaction, 45rfe
5	04799111AB	1	J, U			EZH	DGQ		SNAP RING, Transmission
6		1							CLUTCH PACKAGE, Overdrive clutch, Serviced With Item #7, (NOT SERVICED)
7	05013090AH	1	J, U			EZH	DGQ		CLUTCH KIT, Automatic Transmission, Input
	05013090AI	1	T			EZH	DGQ		

GRAND CHEROKEE (WK)

SERIES	LINE	BODY	ENGINE	TRANSMISSION
H = HIGHLINE	T = JEEP - 2WD	74 = SPORT UTILITY 4-DR TYPE #4	ERB = 3.0L Mid V6 Engine	DGQ = 5-Spd Automatic 545RFE Transmission
P = PREMIUM	J = JEEP - 4WD		EZH = 5.7L V8 HEMI MDS VVT Engine	DGJ = 5-Speed Auto W5A580 Transmission
S = SPORT	U = JEEP - 4WD (RHD)		EXF = 3.0L V6 Turbo Diesel Engine	

AR = use ase required - = Non illustrated part

**Input Clutch Assembly
Figure 021DGQ-523**



ITEM	PART NUMBER	QTY	LINE	SERIES	BODY	ENGINE	TRANS	TRIM	DESCRIPTION
1	04799469	1	J, U			EZH	DGQ		THRUST BEARING, Needle Roller
2	04799550	1	J, U			EZH	DGQ		HUB AND SHAFT, Overdrive Clutch
3	04799118	1	J, U			EZH	DGQ		SNAP RING, Overdrive Clutch
4	04799116AB	1	J, U			EZH	DGQ		PLATE, Clutch Pressure
5	04799117	1	J, U			EZH	DGQ		SNAP RING, Transmission
6	04799469	1	J, U			EZH	DGQ		THRUST BEARING, Needle Roller
7	04799556	1	J, U			EZH	DGQ		HUB AND SHAFT, Reverse Clutch
8		1							CLUTCH PACKAGE, Reverse clutch, Serviced With Item #11, (NOT SERVICED)
9	04799121	1	J, U			EZH	DGQ		PLATE, Transmission Clutch Reaction
10		1							SNAP RING, Serviced With Item #11, (NOT SERVICED)
11	05013090AH	1	J, U			EZH	DGQ		CLUTCH KIT, Automatic Transmission, Input
	05013090AI	1	T			EZH	DGQ		

GRAND CHEROKEE (WK)

SERIES LINE
H = HIGHLINE T = JEEP - 2WD
P = PREMIUM J = JEEP - 4WD
S = SPORT U = JEEP - 4WD (RHD)

BODY
74 = SPORT UTILITY 4-DR
TYPE #4

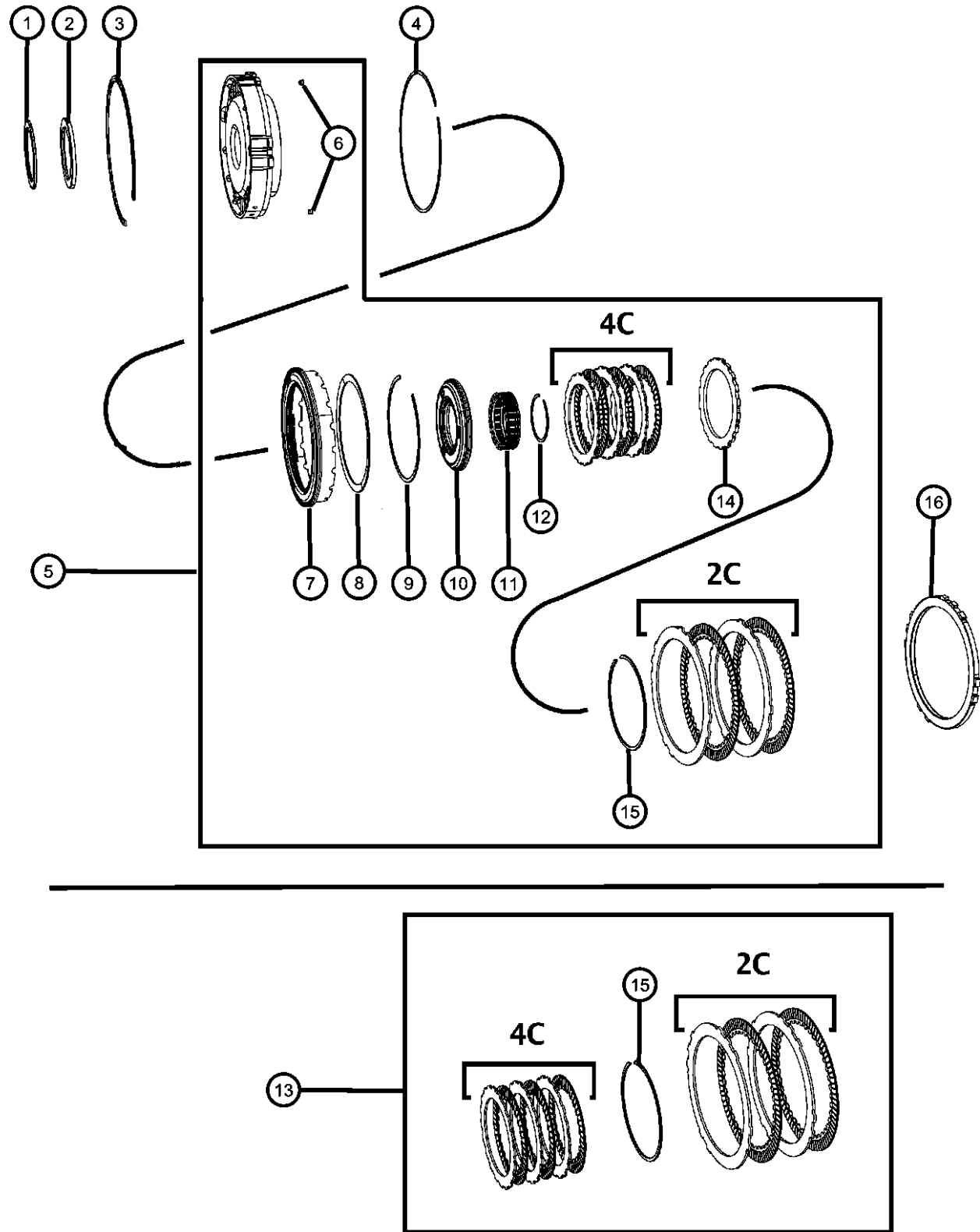
ENGINE
ERB = 3.XL Mid V6 Engine
EZH = 5.7L V8 HEMI MDS
VVT Engine
EXF = 3.0L V6 Turbo Diesel
Engine

TRANSMISSION
DGQ = 5-Spd Automatic 545RFE
Transmission
DGJ = 5-Speed Auto W5A580
Transmission

AR = use ase required - = Non illustrated part

2011 WK

2C / 4C Clutch
Figure 021DGQ-524



ITEM	PART NUMBER	QTY	LINE	SERIES	BODY	ENGINE	TRANS	TRIM	DESCRIPTION
1	04799936AB	1	J, U			EZH	DGQ		THRUST BEARING, Needle Roller
		1	T			EZH	DGQ		
2	05013093AB	1	J, U			EZH	DGQ		PLATE PACKAGE, Input Clutch Thrust
		1	T			EZH	DGQ		
3	04799680AB	1	J, U			EZH	DGQ		SNAP RING, Transmission
		1	T			EZH	DGQ		
4	04799174	1	J, U			EZH	DGQ		SNAP RING, Transmission
		1	T			EZH	DGQ		
5	04799498AC	1	J, U			EZH	DGQ		RETAINER, Transmission 2nd and 4th Clutch Piston
		1	T			EZH	DGQ		
6	04799086	2	J, U			EZH	DGQ		BLEED ORIFICE, Transmission
		2	T			EZH	DGQ		
7	52119503AA	1	J, U			EZH	DGQ		PISTON, Clutch
		1	T			EZH	DGQ		
8	04799521	1	J, U			EZH	DGQ		SPRING, 2nd And 4th Clutch Piston
		1	T			EZH	DGQ		
9	04799522AB	1	J, U			EZH	DGQ		SNAP RING, Transmission
		1	T			EZH	DGQ		
10	05179062AC	1	J, U			EZH	DGQ		PISTON PACKAGE, 4C Clutch
		1	T			EZH	DGQ		
11	04799527AB	1	J, U			EZH	DGQ		SPRING, 2nd And 4th Clutch Piston
		1	T			EZH	DGQ		

GRAND CHEROKEE (WK)

SERIES LINE
H = HIGHLINE T = JEEP - 2WD
P = PREMIUM J = JEEP - 4WD
S = SPORT U = JEEP - 4WD (RHD)

BODY
74 = SPORT UTILITY 4-DR
TYPE #4

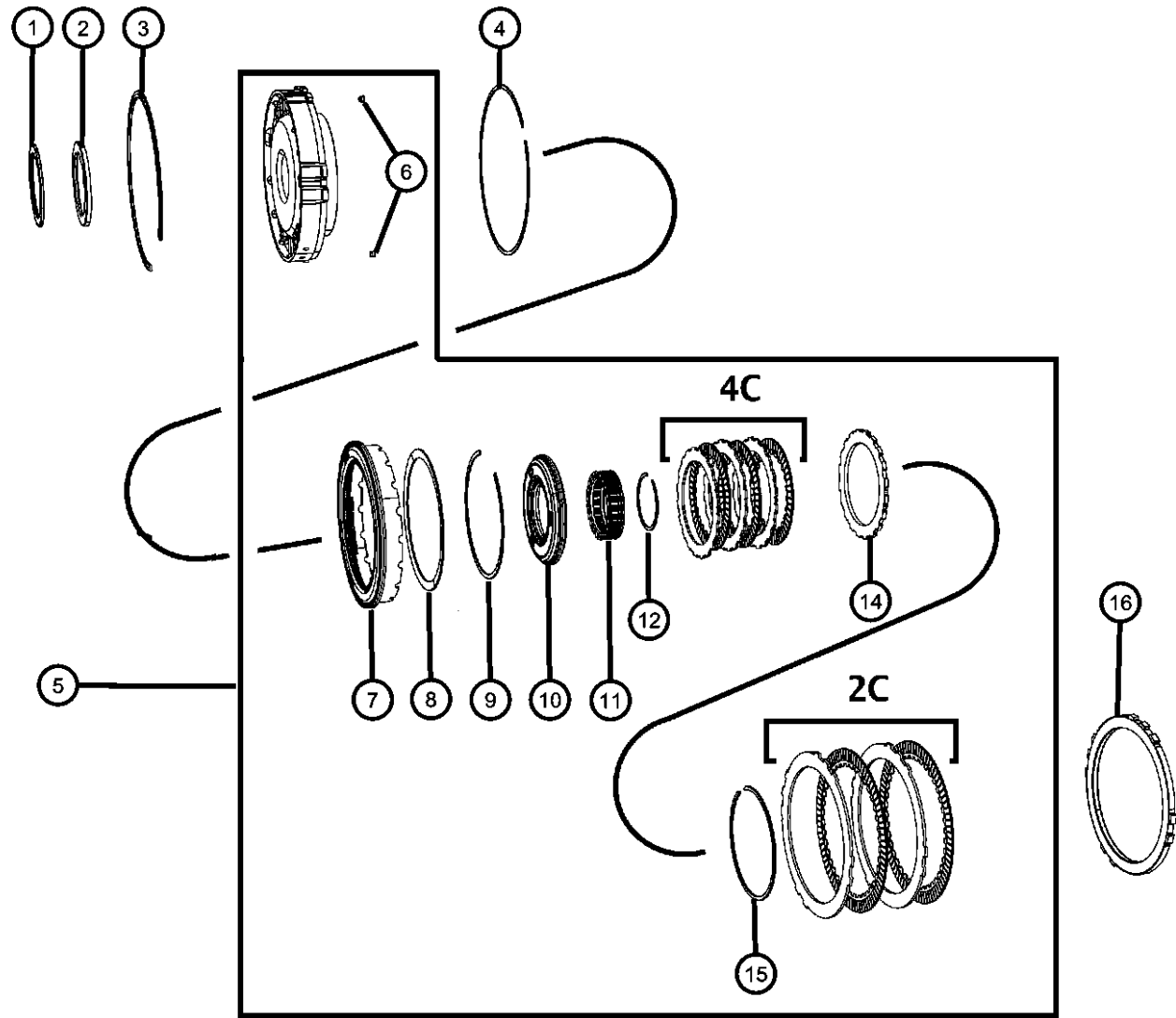
ENGINE
ERB = 3.0L Mid V6 Engine
EZH = 5.7L V8 HEMI MDS
VVT Engine
EXF = 3.0L V6 Turbo Diesel
Engine

TRANSMISSION
DGQ = 5-Spd Automatic 545RFE
Transmission
DGJ = 5-Speed Auto W5A580
Transmission

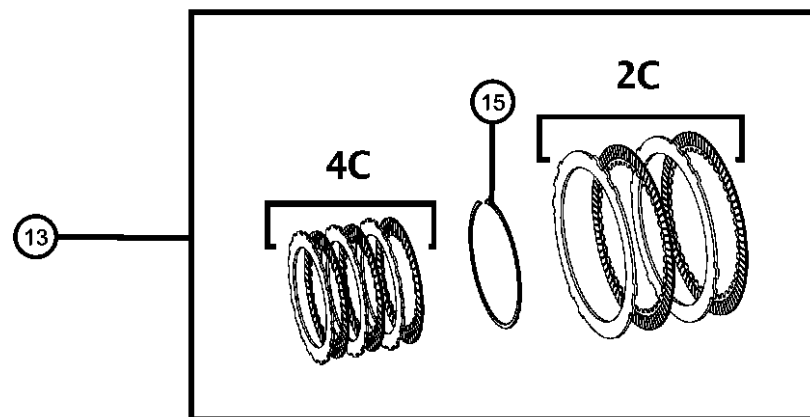
AR = use ase required - = Non illustrated part

2011 WK

2C / 4C Clutch
Figure 021DGQ-524



ITEM	PART NUMBER	QTY	LINE	SERIES	BODY	ENGINE	TRANS	TRIM	DESCRIPTION
12	04799528AB	1	J, U			EZH	DGQ		SNAP RING, Transmission
		1	T			EZH	DGQ		
13	05013087AE	1	J, U			EZH	DGQ		CLUTCH PACKAGE, Automatic Transmission, 2/4
		1	T			EZH	DGQ		
14	04799533	1	J, U			EZH	DGQ		PLATE, Transmission Clutch Reaction
		1	T			EZH	DGQ		
15		1							SNAP RING, (NOT SERVICED)
16	04799687AB	1	J, U			EZH	DGQ		PLATE, Transmission Clutch Reaction
		1	T			EZH	DGQ		



GRAND CHEROKEE (WK)

SERIES LINE
H = HIGHLINE T = JEEP - 2WD
P = PREMIUM J = JEEP - 4WD
S = SPORT U = JEEP - 4WD (RHD)

BODY
74 = SPORT UTILITY 4-DR
TYPE #4

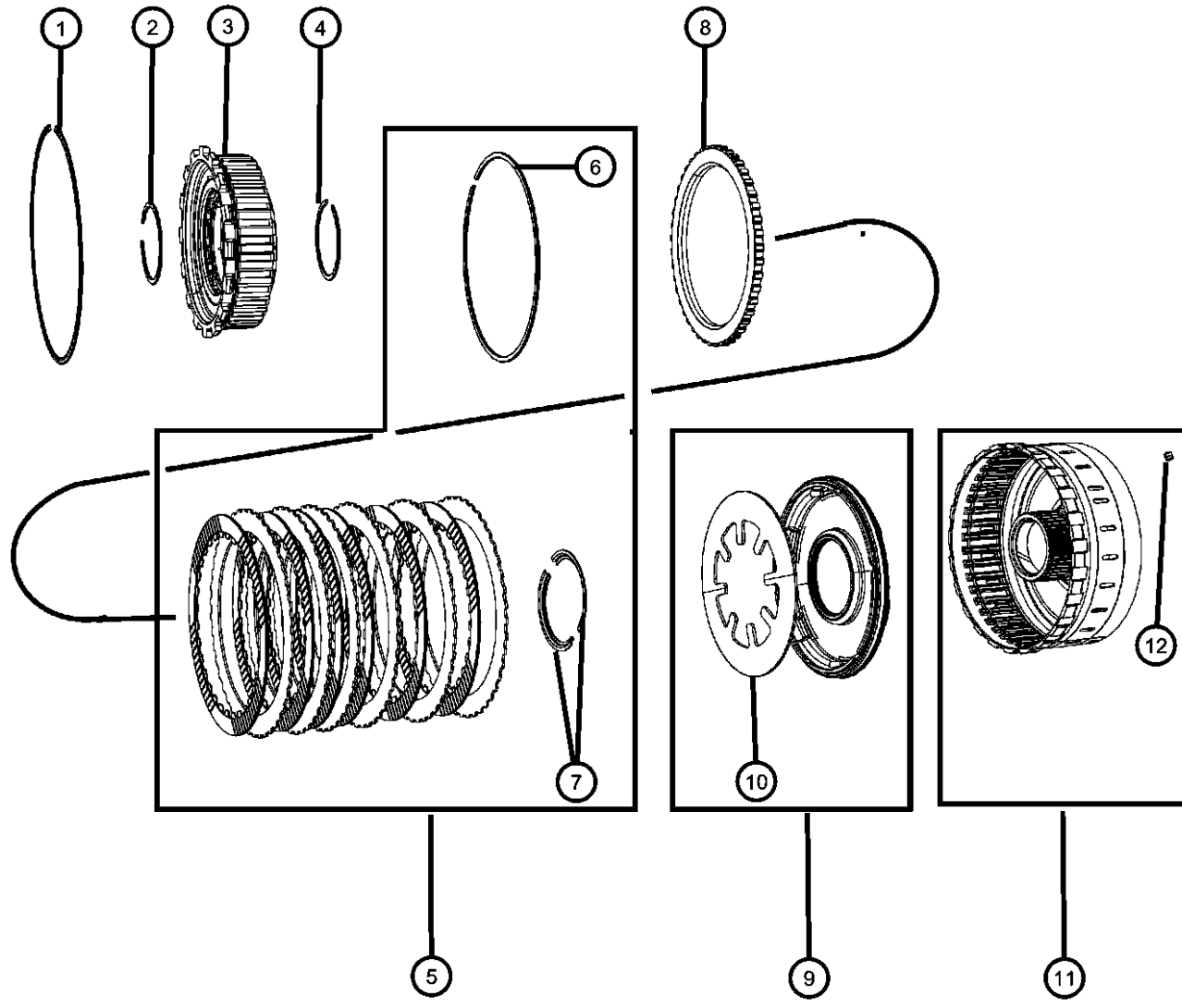
ENGINE
ERB = 3.0L Mid V6 Engine
EZH = 5.7L V8 HEMI MDS
VVT Engine
EXF = 3.0L V6 Turbo Diesel
Engine

TRANSMISSION
DGQ = 5-Spd Automatic 545RFE
Transmission
DGJ = 5-Speed Auto W5A580
Transmission

AR = use ase required - = Non illustrated part

2011 WK

Low / Reverse Clutch
Figure 021DGQ-525



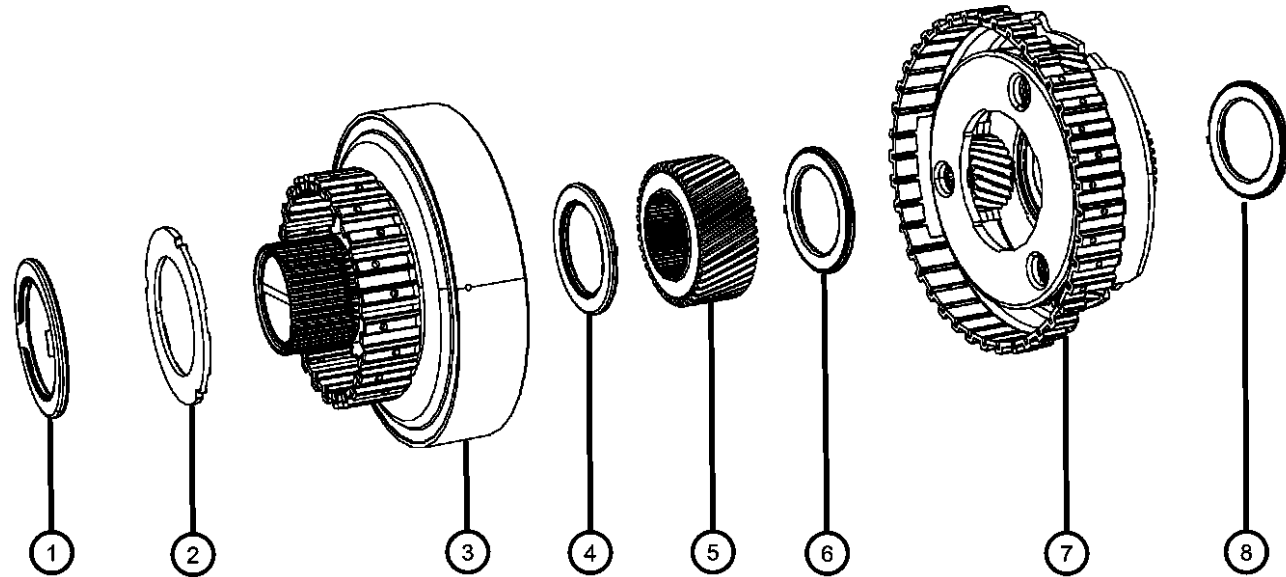
ITEM	PART NUMBER	QTY	LINE	SERIES	BODY	ENGINE	TRANS	TRIM	DESCRIPTION
1	04799466	1	J, U			EZH	DGQ		SNAP RING, Transmission
		1	T			EZH	DGQ		
2	04799863AA	1	J, U			EZH	DGQ		SNAP RING
		1	T			EZH	DGQ		
3	04799465	1	T			EZH	DGQ		CLUTCH, Overrunning
		1	J, U			EZH	DGQ		
4	04799863AA	1	J, U			EZH	DGQ		SNAP RING
		1	T			EZH	DGQ		
5	05073003AB	1	J, U			EZH	DGQ		CLUTCH PACKAGE, Automatic Transmission, Low/Reverse
	05073003AC	1	T			EZH	DGQ		
6		1							SNAP RING, Transmission, (NOT SERVICED)
7		1							RETAINER, Transmission Low and Reverse Clutch Piston, (NOT SERVICED)
8	04799667	1	J, U			EZH	DGQ		PLATE, Transmission Clutch Reaction
		1	T			EZH	DGQ		
9	05179008AA	1	J, U			EZH	DGQ		PISTON PACKAGE, Piston & spring, low/reverse
		1	T			EZH	DGQ		
10		1							SPRING, Low/Reverse Clutch Piston, (NOT SERVICED)
11	05013027AB	1	J, U			EZH	DGQ		RETAINER, Clutch
		1	T			EZH	DGQ		
12	04799086	1	J, U			EZH	DGQ		BLEED ORIFICE, Transmission
		1	T			EZH	DGQ		

GRAND CHEROKEE (WK)
 SERIES LINE BODY ENGINE TRANSMISSION
 H = HIGHLINE T = JEEP - 2WD 74 = SPORT UTILITY 4-DR ERB = 3.0L Mid V6 Engine DGQ = 5-Spd Automatic 545RFE
 P = PREMIUM J = JEEP - 4WD TYPE #4 EZH = 5.7L V8 HEMI MDS Transmission
 S = SPORT U = JEEP - 4WD (RHD) EXF = 3.0L V6 Turbo Diesel DGJ = 5-Speed Auto W5A580
 Engine Transmission

AR = use ase required - = Non illustrated part

Reaction Planetary
Figure 021DGQ-609

ITEM	PART NUMBER	QTY	LINE	SERIES	BODY	ENGINE	TRANS	TRIM	DESCRIPTION
1	04799459	1	J, U			EZH	DGQ		THRUST BEARING, Needle Roller
		1	T			EZH	DGQ		
2	05013092AB	1	J, U			EZH	DGQ		PLATE PACKAGE, Planetary Thrust
		1	T			EZH	DGQ		
3	04799604AB	1	J, U			EZH	DGQ		GEAR, Annulus
		1	T			EZH	DGQ		
4	04799469	1	J, U			EZH	DGQ		THRUST BEARING, Needle Roller
		1	T			EZH	DGQ		
5	04799602	1	J, U			EZH	DGQ		GEAR, Reaction Sun
		1	T			EZH	DGQ		
6	04799469	1	J, U			EZH	DGQ		THRUST BEARING, Needle Roller
		1	T			EZH	DGQ		
7	04799619AE	1	J, U			EZH	DGQ		CARRIER, Reaction Complete
		1	T			EZH	DGQ		
8	04799459	1	J, U			EZH	DGQ		THRUST BEARING, Needle Roller
		1	T			EZH	DGQ		



GRAND CHEROKEE (WK)

SERIES LINE
H = HIGHLINE T = JEEP - 2WD
P = PREMIUM J = JEEP - 4WD
S = SPORT U = JEEP - 4WD (RHD)

BODY
74 = SPORT UTILITY 4-DR
TYPE #4

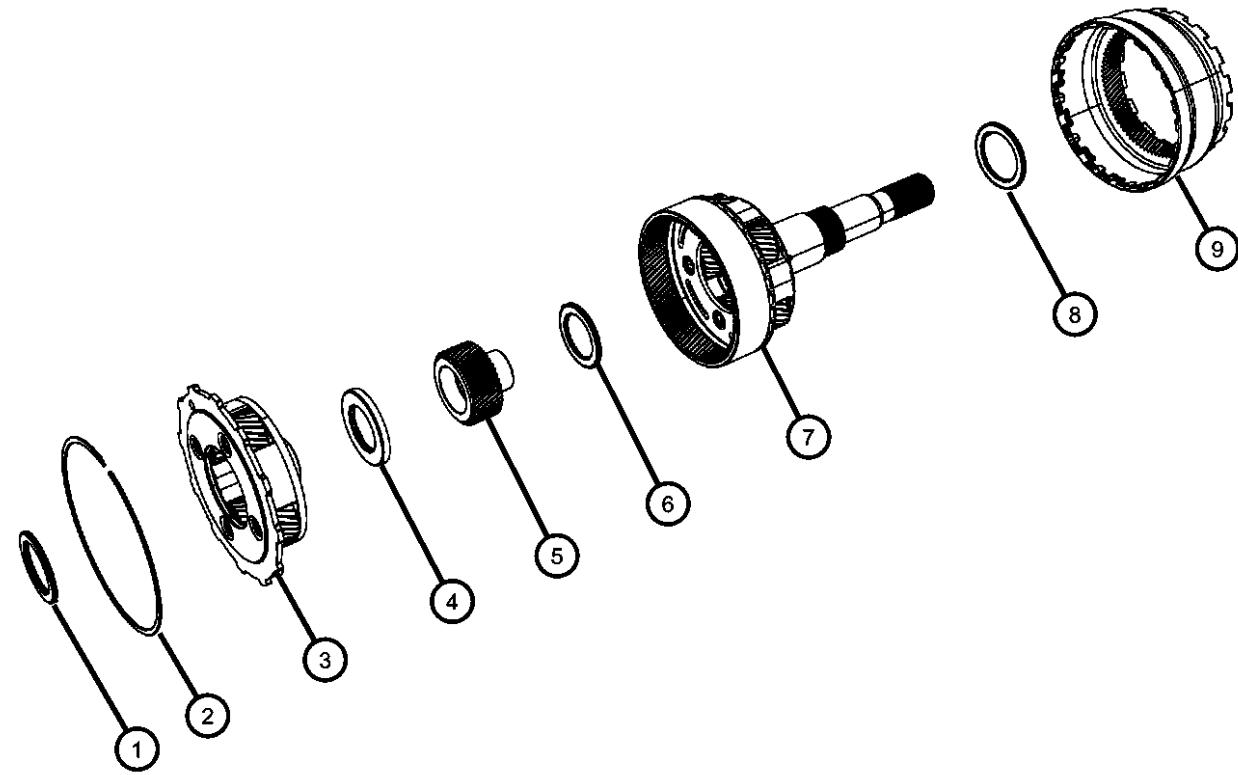
ENGINE
ERB = 3.0L Mid V6 Engine
EZH = 5.7L V8 HEMI MDS
VVT Engine
EXF = 3.0L V6 Turbo Diesel
Engine

TRANSMISSION
DGQ = 5-Spd Automatic 545RFE
Transmission
DGJ = 5-Speed Auto W5A580
Transmission

AR = use ase required - = Non illustrated part

2011 WK

**Input / Reverse Planetary
Figure 021DGQ-610**



ITEM	PART NUMBER	QTY	LINE	SERIES	BODY	ENGINE	TRANS	TRIM	DESCRIPTION
1	04799469	1	J, U			EZH	DGQ		THRUST BEARING, Needle Roller
		1	T			EZH	DGQ		
2	04799247	1	J, U			EZH	DGQ		SNAP RING
		1	T			EZH	DGQ		
3	04799503AG	1	J, U			EZH	DGQ		CARRIER, Reverse Complete
		1	T			EZH	DGQ		
4	52119464AB	1	J, U			EZH	DGQ		THRUST BEARING, Needle Roller
		1	T			EZH	DGQ		
5	04799586AB	1	J, U			EZH	DGQ		GEAR, Input Sun
		1	T			EZH	DGQ		
6	04799469	1	J, U			EZH	DGQ		THRUST BEARING, Needle Roller
		1	T			EZH	DGQ		
7	04799500AG	1	J, U			EZH	DGQ		CARRIER, Input Complete
		1	T			EZH	DGQ		
8	04799459	1	J, U			EZH	DGQ		THRUST BEARING, Needle Roller
		1	T			EZH	DGQ		
9	04799501	1	J, U			EZH	DGQ		GEAR, Annulus
		1	T			EZH	DGQ		

GRAND CHEROKEE (WK)

SERIES LINE
H = HIGHLINE T = JEEP - 2WD
P = PREMIUM J = JEEP - 4WD
S = SPORT U = JEEP - 4WD (RHD)

BODY
74 = SPORT UTILITY 4-DR
TYPE #4

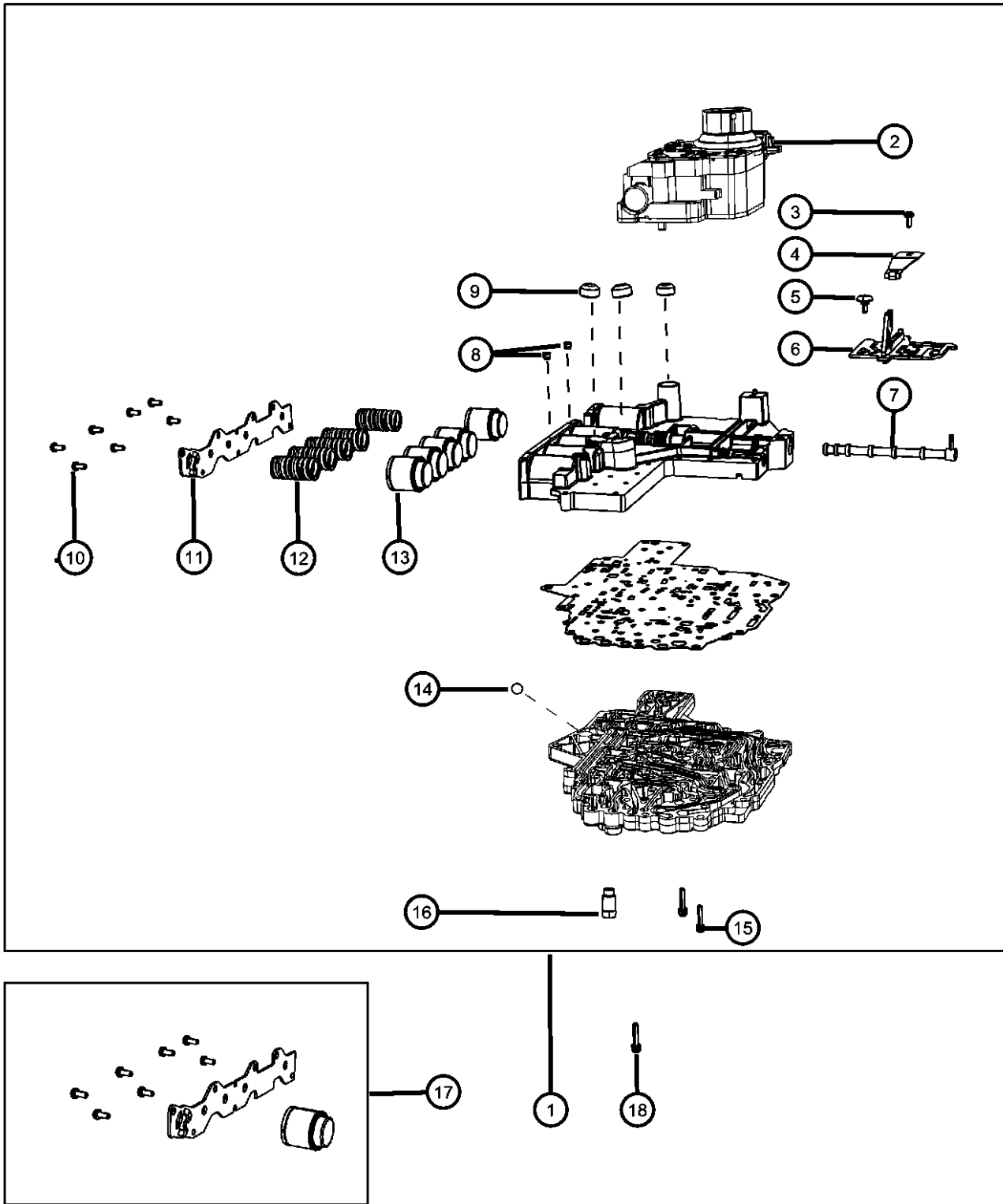
ENGINE
ERB = 3.0L Mid V6 Engine
EZH = 5.7L V8 HEMI MDS
VVT Engine
EXF = 3.0L V6 Turbo Diesel
Engine

TRANSMISSION
DGQ = 5-Spd Automatic 545RFE
Transmission
DGJ = 5-Speed Auto W5A580
Transmission

AR = use ase required - = Non illustrated part

2011 WK

**Valve Body And Related Parts
Figure 021DGQ-820**



ITEM	PART NUMBER	QTY	LINE	SERIES	BODY	ENGINE	TRANS	TRIM	DESCRIPTION
1	05166834AE	1	J, U			EZH	DGQ		VALVE BODY ASSEMBLY
		1	T			EZH	DGQ		
2	05170877AF	1	J, U			EZH	DGQ		SOLENOID PACKAGE, Valve Body
		1	T			EZH	DGQ		
3	06504780AA	1	J, U			EZH	DGQ		SCREW
		1	T			EZH	DGQ		
4	52119501AA	1	J, U			EZH	DGQ		DETENT, Valve Body
		1	T			EZH	DGQ		
5	06508087AA	1	T			EZH	DGQ		SCREW, Shoulder/Truss, M5x.8x12.5
		1	J, U			EZH	DGQ		
6	52119998AA	1	J, U			EZH	DGQ		PLATE, Manual Valve Cam
		1	T			EZH	DGQ		
7	52119981AA	1	J, U			EZH	DGQ		MANUAL VALVE ASSEMBLY, Transmission
		1	T			EZH	DGQ		
8	04799086	2	T			EZH	DGQ		BLEED ORIFICE, Transmission
		2	J, U			EZH	DGQ		
9	04799778	3	J, U			EZH	DGQ		SEAL, Clutch Feed
		3	T			EZH	DGQ		
10	06503232	7	J, U			EZH	DGQ		SCREW, Pan Head, M5 x 0.8 x 12.60
		1	T			EZH	DGQ		
11	04799598AB	1	T			EZH	DGQ		COVER, Accumulator
		1	J, U			EZH	DGQ		

GRAND CHEROKEE (WK)

SERIES LINE
H = HIGHLINE T = JEEP - 2WD
P = PREMIUM J = JEEP - 4WD
S = SPORT U = JEEP - 4WD (RHD)

BODY
74 = SPORT UTILITY 4-DR
TYPE #4

ENGINE
ERB = 3.XL Mid V6 Engine
EZH = 5.7L V8 HEMI MDS
VVT Engine
EXF = 3.0L V6 Turbo Diesel
Engine

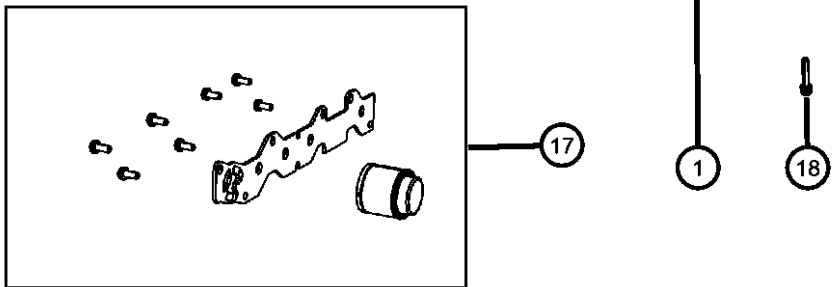
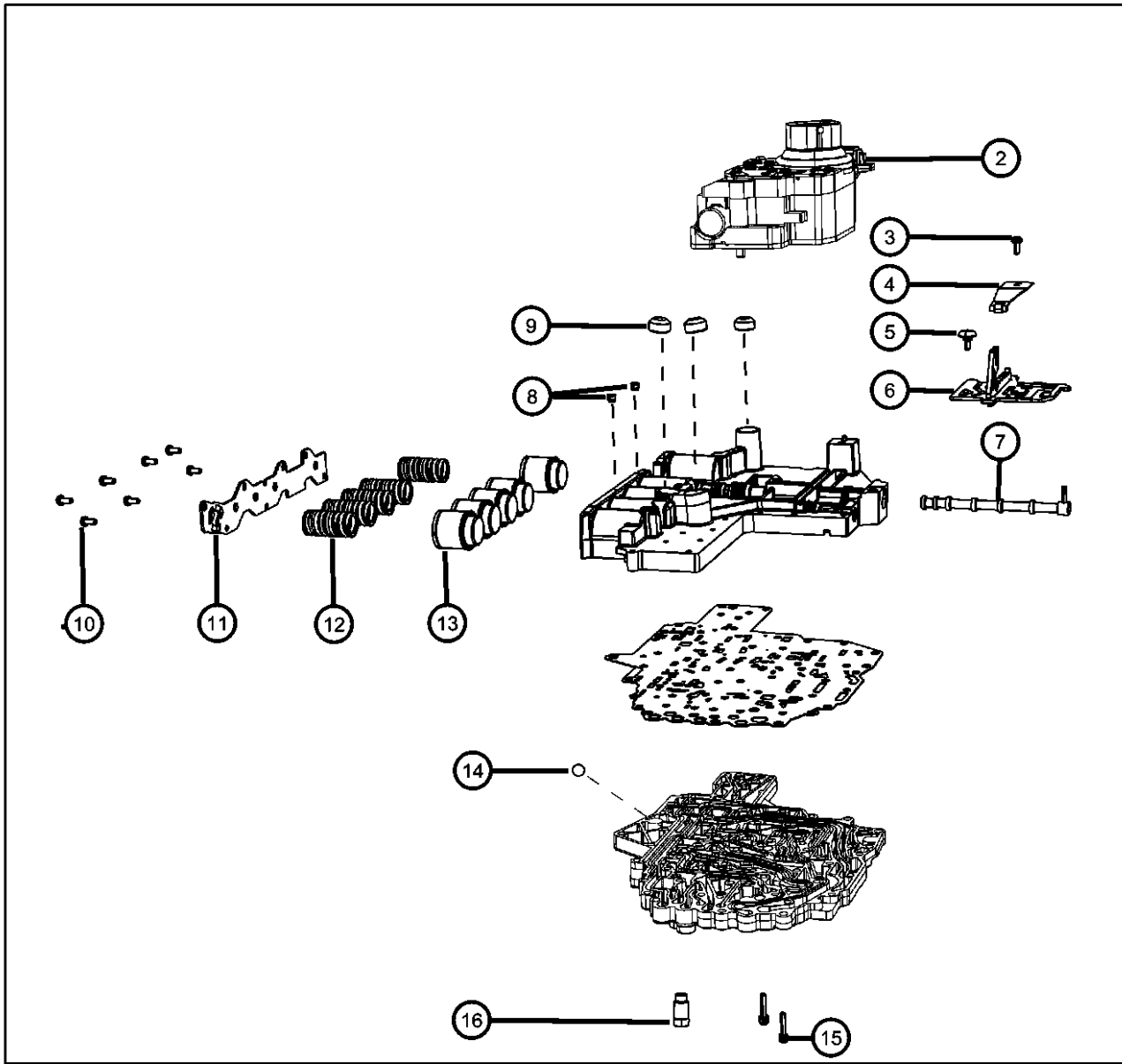
TRANSMISSION
DGQ = 5-Spd Automatic 545RFE
Transmission
DGJ = 5-Speed Auto W5A580
Transmission

AR = use ase required - = Non illustrated part

2011 WK

**Valve Body And Related Parts
Figure 021DGQ-820**

ITEM	PART NUMBER	QTY	LINE	SERIES	BODY	ENGINE	TRANS	TRIM	DESCRIPTION
12									SPRING, Accumulator
	04471880	1	J, U			EZH	DGQ		
		1	T			EZH	DGQ		
13									PISTON, Accumulator, Includes piston seals
	04446620AD	5	J, U			EZH	DGQ		
		5	T			EZH	DGQ		
14									BALL, Check
	52118261	5	J, U			EZH	DGQ		
		7	T			EZH	DGQ		
15									SCREW
	06504780AA	50	T			EZH	DGQ		
		50	J, U			EZH	DGQ		
16									PLUG, Pressure Check
	06030035	7	J, U			EZH	DGQ		
		7	T			EZH	DGQ		
17									ACCUMULATOR KIT, Accumulator Cover, Includes 1 piston, 1 cover and 7 screws
	05174633AB	1	T			EZH	DGQ		
		1	J, U			EZH	DGQ		
18									BOLT, Hex Flange Head, M6x1.00x30, Valve body to case
	06101525	6	J, U			EZH	DGQ		
		6	T			EZH	DGQ		



GRAND CHEROKEE (WK)

SERIES LINE
H = HIGHLINE T = JEEP - 2WD
P = PREMIUM J = JEEP - 4WD
S = SPORT U = JEEP - 4WD (RHD)

BODY
74 = SPORT UTILITY 4-DR
TYPE #4

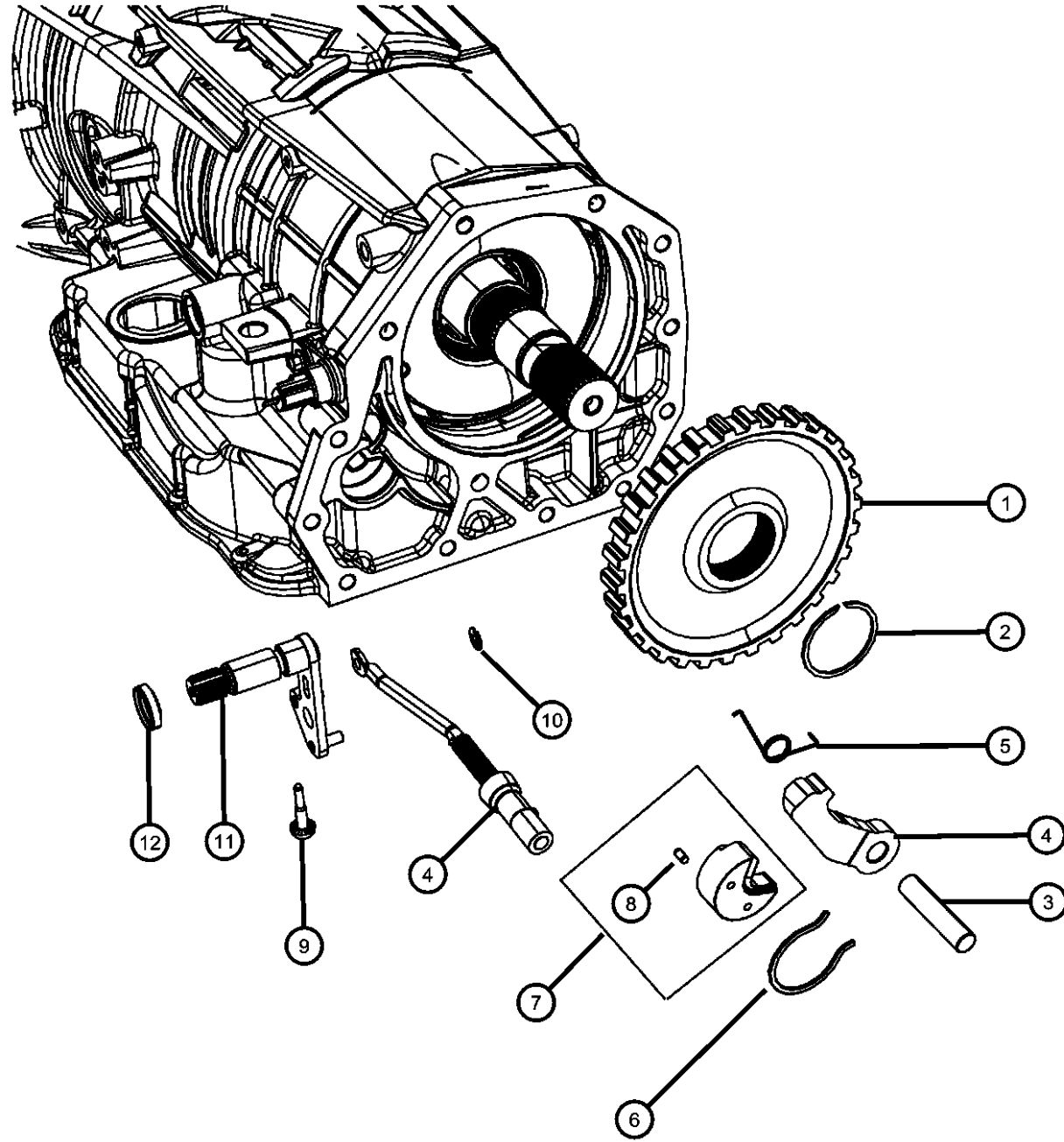
ENGINE
ERB = 3.0L Mid V6 Engine
EZH = 5.7L V8 HEMI MDS
VVT Engine
EXF = 3.0L V6 Turbo Diesel
Engine

TRANSMISSION
DGQ = 5-Spd Automatic 545RFE
Transmission
DGJ = 5-Speed Auto W5A580
Transmission

AR = use ase required - = Non illustrated part

2011 WK

**Parking Sprag And Related Parts
Figure 021DGQ-860**



ITEM	PART NUMBER	QTY	LINE	SERIES	BODY	ENGINE	TRANS	TRIM	DESCRIPTION
1	04799493AD	1	J, U			EZH	DGQ		SPRAG, Transmission Parking
		1	T			EZH	DGQ		
2	04799704	1	J, U			EZH	DGQ		SNAP RING, Transmission
		1	T			EZH	DGQ		
3	04799450	1	J, U			EZH	DGQ		SHAFT, Parking Pawl
		1	T			EZH	DGQ		
4	05166452AA	1	J, U			EZH	DGQ		PAWL AND ROD KIT
		1	T			EZH	DGQ		
5	04799451	1	J, U			EZH	DGQ		SPRING, Torsion
		1	T			EZH	DGQ		
6	04799313	1	J, U			EZH	DGQ		SNAP RING
		1	T			EZH	DGQ		
7	04799774AB	1	J, U			EZH	DGQ		GUIDE, Parking Sprag Pawl
		1	T			EZH	DGQ		
8	00456636	1	J, U			EZH	DGQ		PIN
		1	T			EZH	DGQ		
9	06504548	1	J, U			EZH	DGQ		SCREW, M6x1x30
		1	T			EZH	DGQ		
10	06036682AA	1	J, U			EZH	DGQ		SNAP RING, Rod
		1	T			EZH	DGQ		
11	04799453	1	J, U			EZH	DGQ		LEVER, Shift Shaft
		1	T			EZH	DGQ		
12									SEAL

GRAND CHEROKEE (WK)

SERIES LINE
H = HIGHLINE T = JEEP - 2WD
P = PREMIUM J = JEEP - 4WD
S = SPORT U = JEEP - 4WD (RHD)

BODY
74 = SPORT UTILITY 4-DR
TYPE #4

ENGINE
ERB = 3.0L Mid V6 Engine
EZH = 5.7L V8 HEMI MDS
VVT Engine
EXF = 3.0L V6 Turbo Diesel
Engine

TRANSMISSION
DGQ = 5-Spd Automatic 545RFE
Transmission
DGJ = 5-Speed Auto W5A580
Transmission

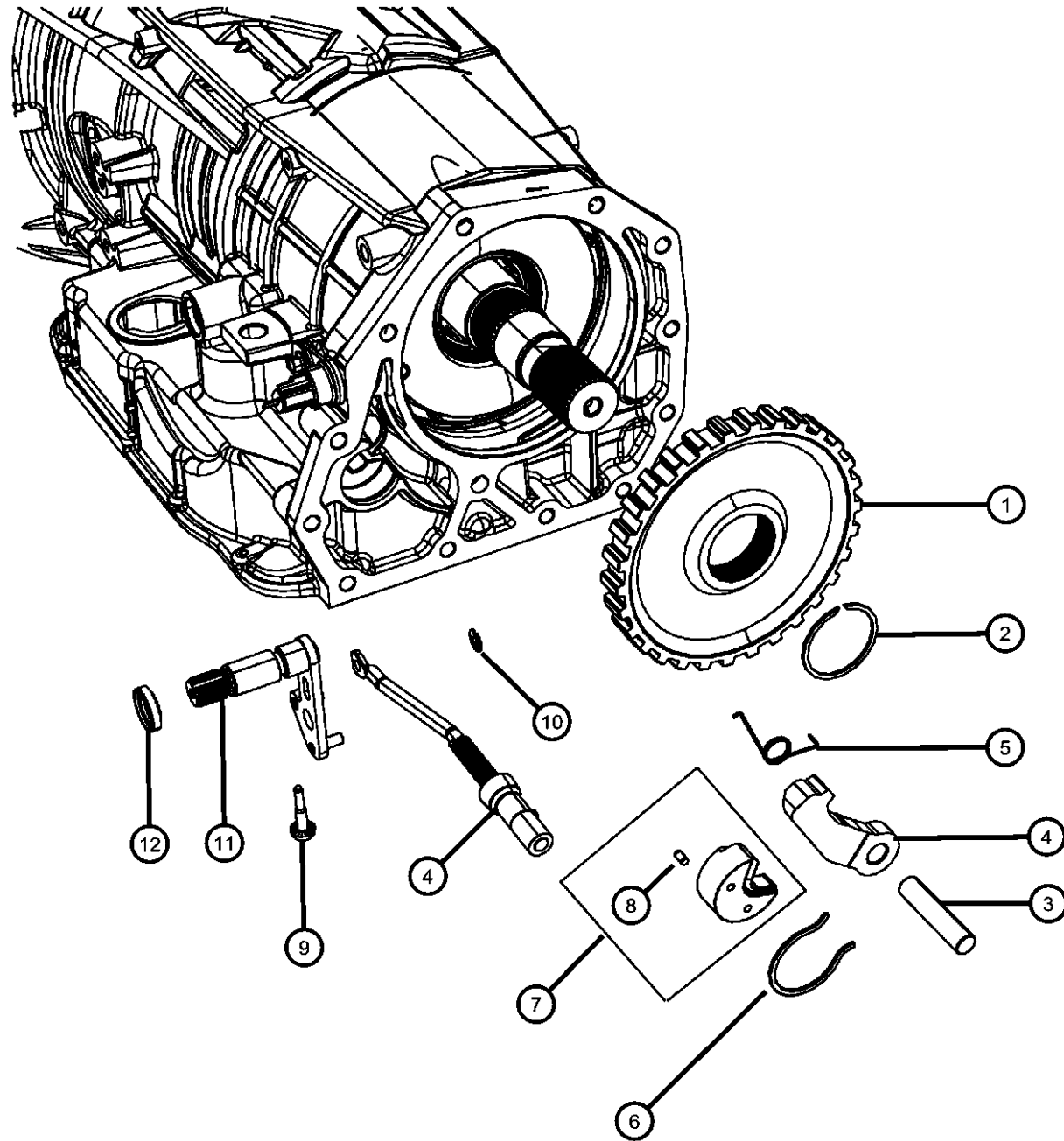
AR = use ase required - = Non illustrated part

2011 WK

**Parking Sprag And Related Parts
Figure 021DGQ-860**

ITEM	PART NUMBER	QTY	LINE	SERIES	BODY	ENGINE	TRANS	TRIM	DESCRIPTION
------	-------------	-----	------	--------	------	--------	-------	------	-------------

	04799346	1	J, U			EZH	DGQ		
		1	T			EZH	DGQ		



GRAND CHEROKEE (WK)

SERIES	LINE
H = HIGHLINE	T = JEEP - 2WD
P = PREMIUM	J = JEEP - 4WD
S = SPORT	U = JEEP - 4WD (RHD)

BODY
74 = SPORT UTILITY 4-DR TYPE #4

ENGINE
ERB = 3.XL Mid V6 Engine
EZH = 5.7L V8 HEMI MDS VVT Engine
EXF = 3.0L V6 Turbo Diesel Engine

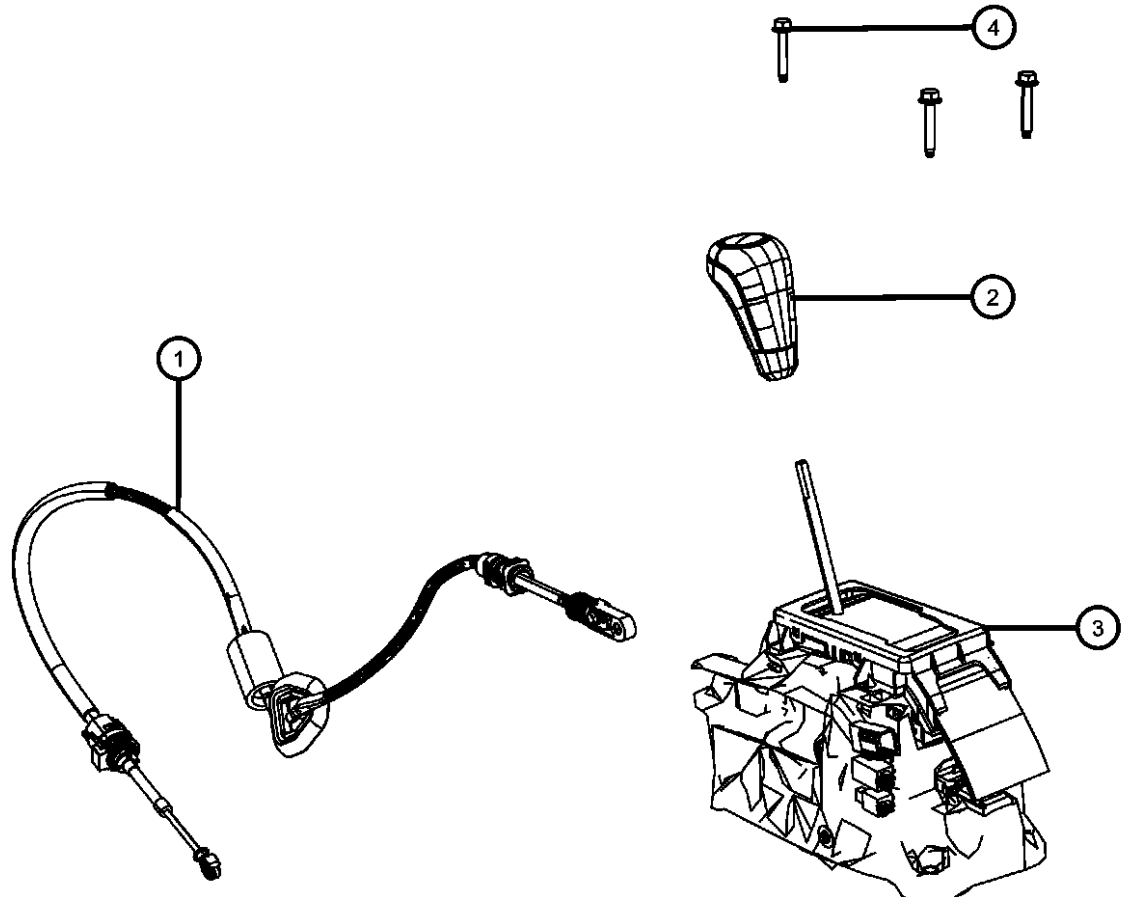
TRANSMISSION
DGQ = 5-Spd Automatic 545RFE Transmission
DGJ = 5-Speed Auto W5A580 Transmission

AR = use ase required - = Non illustrated part

2011 WK

**Gearshift Controls
Figure 021DGQ-1105**

ITEM	PART NUMBER	QTY	LINE	SERIES	BODY	ENGINE	TRANS	TRIM	DESCRIPTION
1	52124783AB	1	J, T, U				DGQ		CABLE, Gearshift Control
2									KNOB, Gearshift
	1RC46DX9AA	1	J, T, U						[CVW] With, [X9] Or [XL] Or [XT]
	1RC46HL9AA	1	J, T, U						[CVW] With [L9]
	1RC46XTWAA	1	J, T, U						[CVW] With [D3]
	1PT50DX9AA	1	J, T, U						[CV3] With, [X9] Or [XL]
	1PT50XTWAA	1	J, T, U						[CV3] With [D3]
3	52124793AB	1	J, T, U				DGQ		SHIFTER, Transmission
4	06105040AA	3	J, T, U				DBA		BOLT, Hex Flange Head, M6X1.00X35.00



GRAND CHEROKEE (WK)

SERIES LINE
H = HIGHLINE T = JEEP - 2WD
P = PREMIUM J = JEEP - 4WD
S = SPORT U = JEEP - 4WD (RHD)

BODY
74 = SPORT UTILITY 4-DR
TYPE #4

ENGINE
ERB = 3.XL Mid V6 Engine
EZH = 5.7L V8 HEMI MDS
VVT Engine
EXF = 3.0L V6 Turbo Diesel
Engine

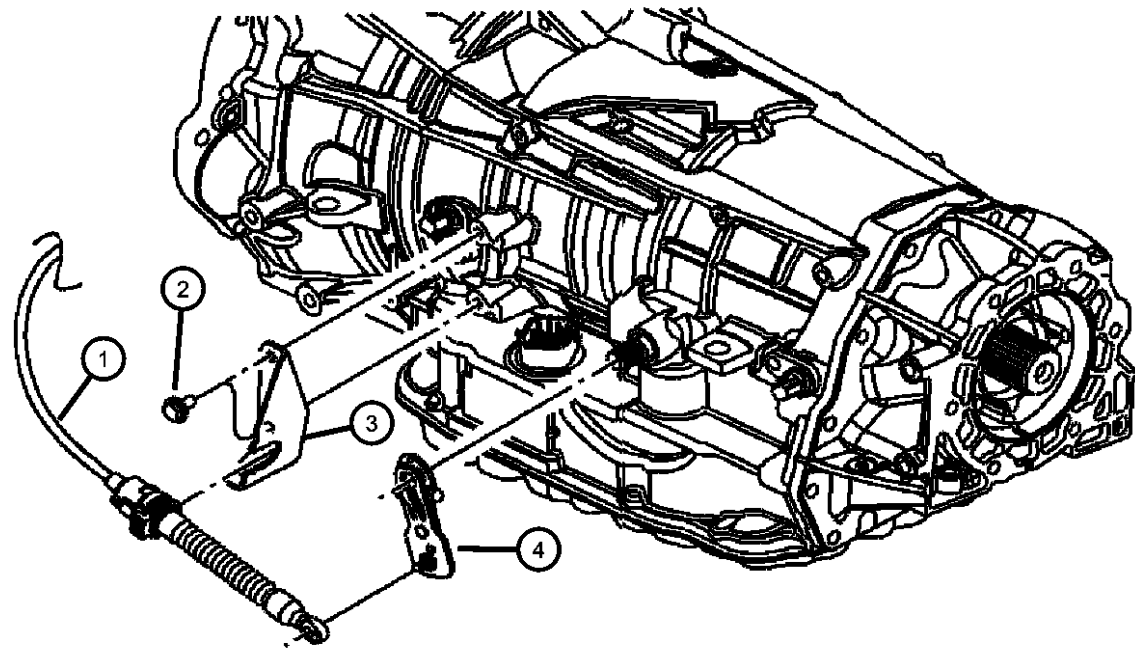
TRANSMISSION
DGQ = 5-Spd Automatic 545RFE
Transmission
DGJ = 5-Speed Auto W5A580
Transmission

AR = use ase required - = Non illustrated part

2011 WK

Gearshift Lever, Cable and Bracket
Figure 021DGQ-1115

ITEM	PART NUMBER	QTY	LINE	SERIES	BODY	ENGINE	TRANS	TRIM	DESCRIPTION
1	52124783AB	1	J, T, U				DGQ		CABLE, Gearshift Control
2	06101758	2	J, T, U				DBA		SCREW, Hex Head, M8x1.25x20
3	52104371AG	1	J, T, U				DGQ		BRACKET, Shift Cable
4	52109706AC	1	J, T, U				DGQ		LEVER, Manual Control



GRAND CHEROKEE (WK)

SERIES LINE
H = HIGHLINE T = JEEP - 2WD
P = PREMIUM J = JEEP - 4WD
S = SPORT U = JEEP - 4WD (RHD)

BODY
74 = SPORT UTILITY 4-DR
TYPE #4

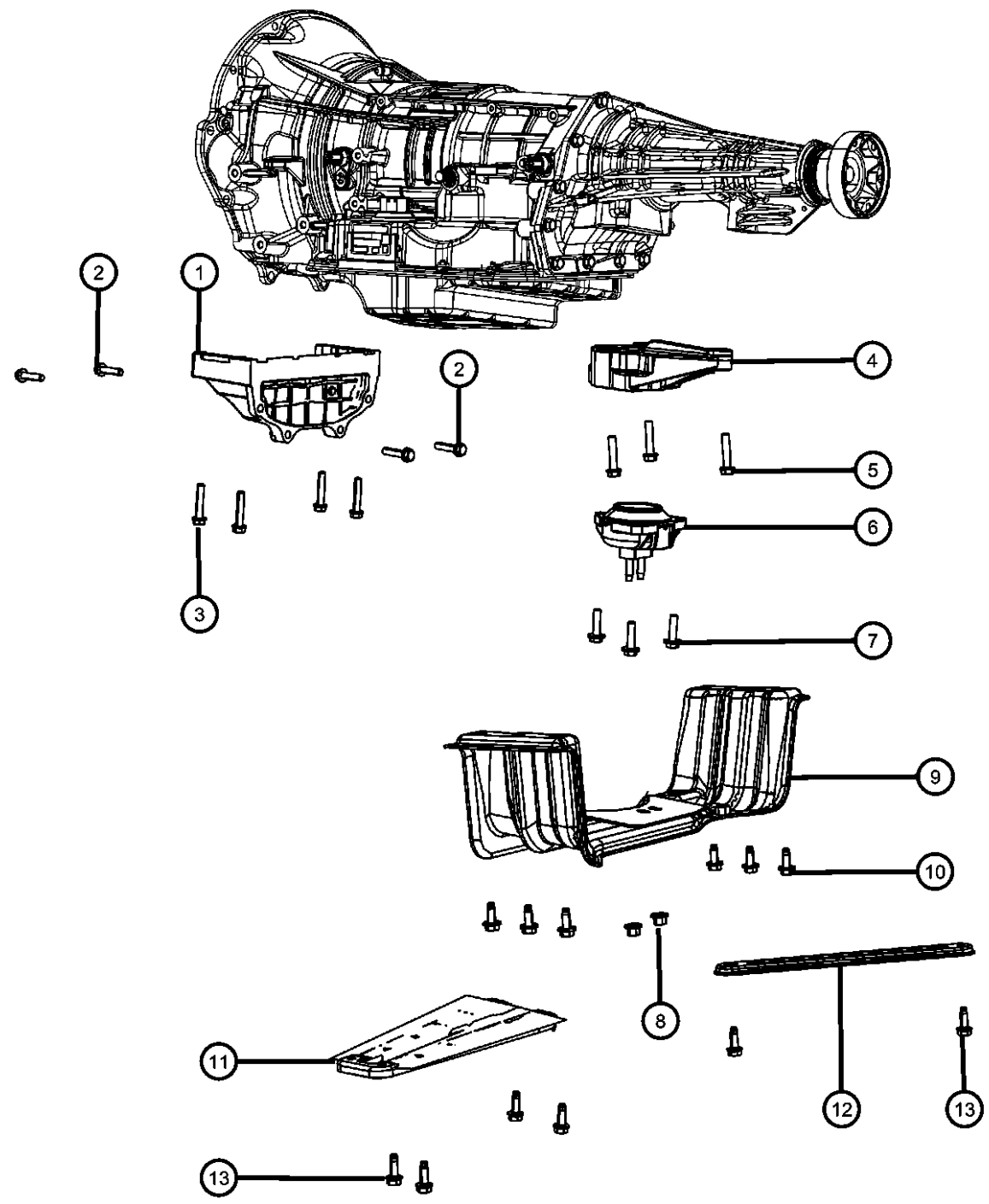
ENGINE
ERB = 3.XL Mid V6 Engine
EZH = 5.7L V8 HEMI MDS
VVT Engine
EXF = 3.0L V6 Turbo Diesel
Engine

TRANSMISSION
DGQ = 5-Spd Automatic 545RFE
Transmission
DGJ = 5-Speed Auto W5A580
Transmission

AR = use ase required - = Non illustrated part

2011 WK

Structural Collar and Transmission Mount
Figure 021DGQ-1210



ITEM	PART NUMBER	QTY	LINE	SERIES	BODY	ENGINE	TRANS	TRIM	DESCRIPTION
1	53022371AB	1	J, T, U			EZH	DGQ		COVER, Dust Structural
2	06101985	4	J, T, U			EZH			BOLT AND WASHER, Hex Head, M10x1.50x45.00
3	06102115AA	4	J, T, U			EZH			BOLT, Hex Head, M10x1.5x50
4	04578844AA	1	T				DGQ		BRACKET, Transmission Mount, Only Used with 4X2
5	06102172AA	3	T				DGQ		SCREW AND WASHER, Hex Head, M10x1.5x50, Only Used with 4X2
6	68032665AD	1	J, T, U			EZ0			ISOLATOR, Transmission Mount
7	06102210AA	3	J, T, U						BOLT AND CONED WASHER, Hex Head, M10X1.50X40.00
8	06502979	2	J, T, U						NUT AND WASHER, Hex, M10x1.5
9	52124631AC	1	J, T						CROSSMEMBER, Transmission
10	06104414AA	6	J, T, U						BOLT AND CONED WASHER, Hex Head, M10x1.5x30
11	04578779AA	1	J, T, U						BRACKET, Transmission Crossmember
12	04578782AA	1	J, T, U						BRACKET, Transmission Crossmember
13	06105063AA	6	J, T, U						SCREW AND WASHER, Hex Head

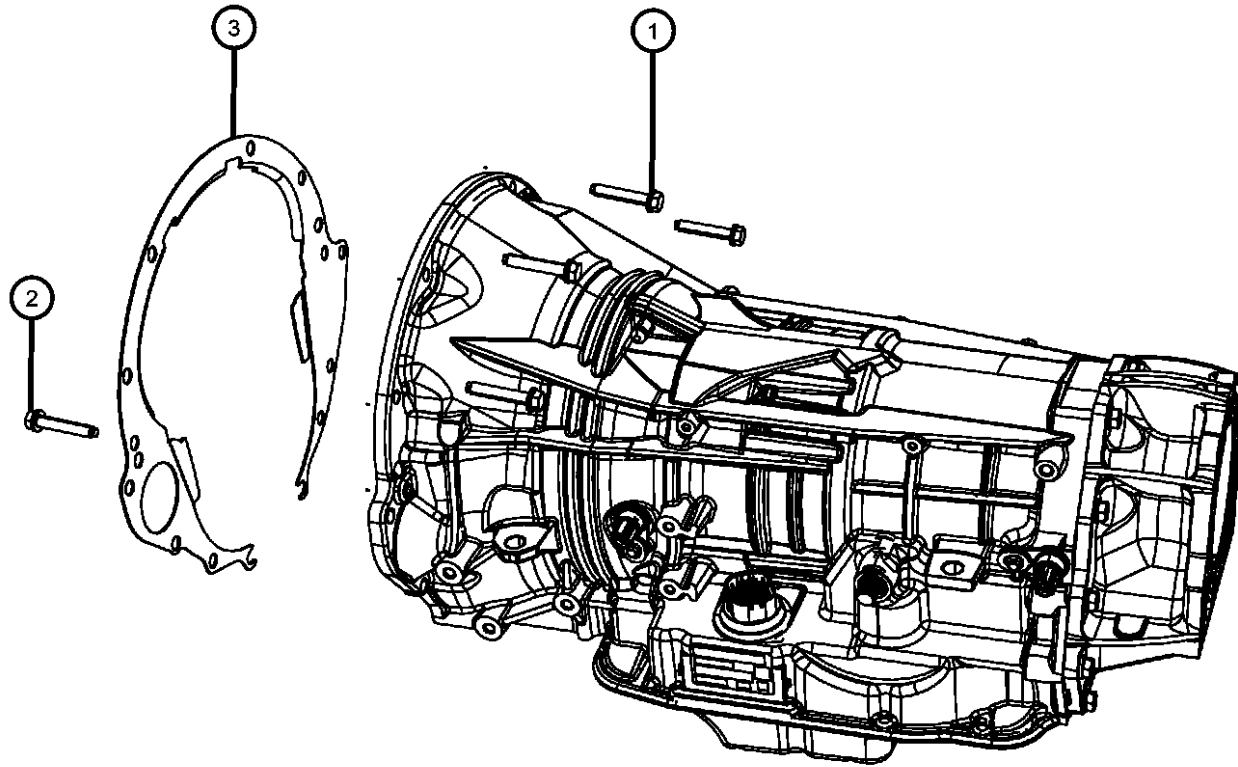
GRAND CHEROKEE (WK)

SERIES	LINE	BODY	ENGINE	TRANSMISSION
H = HIGHLINE	T = JEEP - 2WD	74 = SPORT UTILITY 4-DR	ERB = 3.XL Mid V6 Engine	DGQ = 5-Spd Automatic 545RFE
P = PREMIUM	J = JEEP - 4WD	TYPE #4	EZH = 5.7L V8 HEMI MDS VVT Engine	Transmission
S = SPORT	U = JEEP - 4WD (RHD)		EXF = 3.0L V6 Turbo Diesel Engine	DGJ = 5-Speed Auto W5A580 Transmission

AR = use ase required - = Non illustrated part

Mounting Bolts
Figure 021DGQ-1215

ITEM	PART NUMBER	QTY	LINE	SERIES	BODY	ENGINE	TRANS	TRIM	DESCRIPTION
1	06024473	2	J, T, U			EZH	DGQ		SCREW AND WASHER, Hex Head, .437-14x2.00
2	06022266	4	J, T, U			EZH	DGQ		BOLT AND WASHER, Hex Head, .375-16x1.50
3	52104344AA	1	J, T, U				DGQ		COVER, Transmission Dust



GRAND CHEROKEE (WK)

SERIES LINE
H = HIGHLINE T = JEEP - 2WD
P = PREMIUM J = JEEP - 4WD
S = SPORT U = JEEP - 4WD (RHD)

BODY
74 = SPORT UTILITY 4-DR
TYPE #4

ENGINE
ERB = 3.XL Mid V6 Engine
EZH = 5.7L V8 HEMI MDS
VVT Engine
EXF = 3.0L V6 Turbo Diesel
Engine

TRANSMISSION
DGQ = 5-Spd Automatic 545RFE
Transmission
DGJ = 5-Speed Auto W5A580
Transmission

AR = use ase required - = Non illustrated part

2011 WK

Group - 021DHY

ITC; Single Speed Transfer Case

Group - 021DHY ITC; Single Speed Transfer Case

Illustration Title

Group-Fig. No.

Transfer Case Assembly

Transfer Case Assembly And Identification ITC [DHY].....Fig. 021DHY - 105

Case, and Extension

Case And Related Parts [DHY]Fig. 021DHY - 205

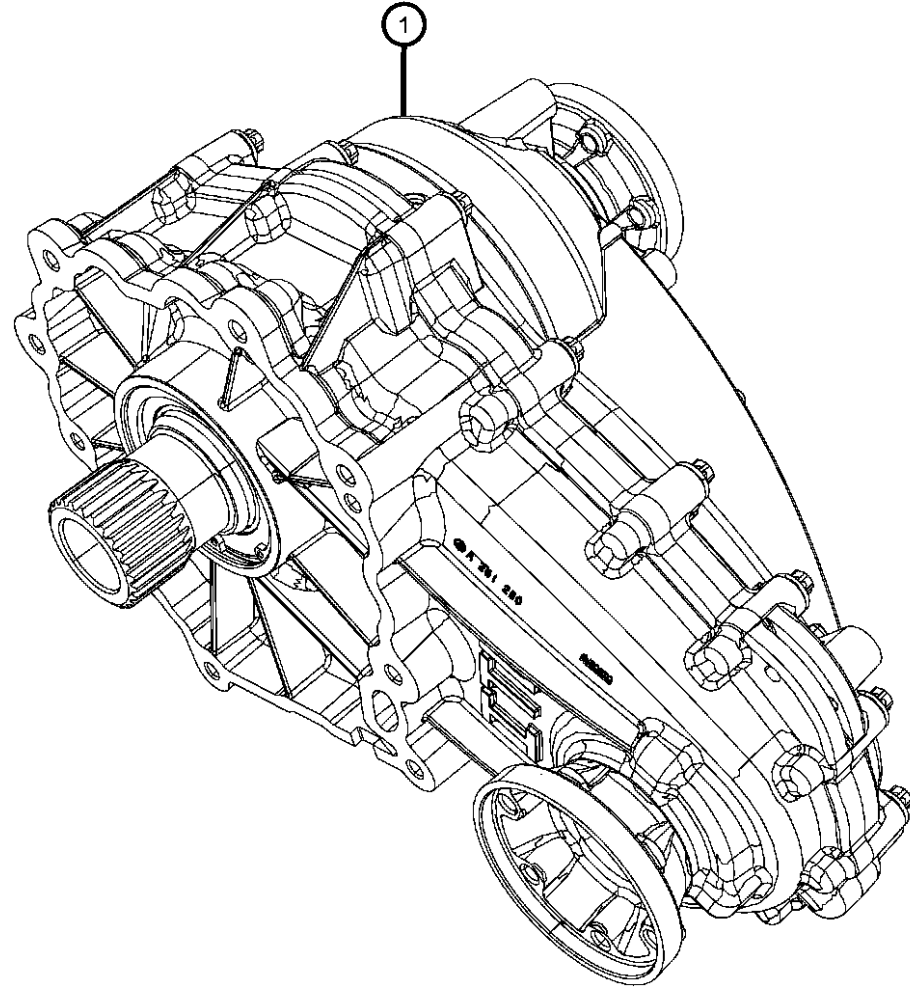
Gear Train

Gear TrainFig. 021DHY - 605

<p>021DHY-100 Transfer Case Assembly</p>	<p>021DHY-200 Case, and Extension</p>	<p>021DHY-600 Gear Train</p>	
---	--	---	--

**Transfer Case Assembly And Identification ITC [DHY]
Figure 021DHY-105**

ITEM	PART NUMBER	QTY	LINE	SERIES	BODY	ENGINE	TRANS	TRIM	DESCRIPTION
1	52853662AC	1	J, U			ERB			TRANSFER CASE
-2	68087452AA	1	J, U			ERB			SEAL, Output, Radial Shaft Seal / Front Towards Engine
-3	68071845AA	1	J, U			ERB			FLANGE, OutputFront
-4	68087454AA	1	J, U			ERB			SNAP RING
-5	68087455AA	1	J, U			ERB			SEAL, Output, Rear Seal / Towards Rear Axle
-6	68087456AA	2	J, U			ERB			GASKET, Drain Plug
-7	68087457AA	2	J, U			ERB			PLUG, Fill
-8	68087458AA	1	J, U			ERB			FLANGE, Output, Rear Flange / Towards Rear Axle



GRAND CHEROKEE (WK)

SERIES LINE
H = HIGHLINE T = JEEP - 2WD
P = PREMIUM J = JEEP - 4WD
S = SPORT U = JEEP - 4WD (RHD)

BODY
74 = SPORT UTILITY 4-DR
TYPE #4

ENGINE
ERB = 3.XL Mid V6 Engine
EZH = 5.7L V8 HEMI MDS
VVT Engine
EXF = 3.0L V6 Turbo Diesel
Engine

TRANSMISSION
DGQ = 5-Spd Automatic 545RFE
Transmission
DGJ = 5-Speed Auto W5A580
Transmission

AR = use ase required - = Non illustrated part

2011 WK

**Case And Related Parts [DHY]
Figure 021DHY-205**

ITEM	PART NUMBER	QTY	LINE	SERIES	BODY	ENGINE	TRANS	TRIM	DESCRIPTION
-1	68071840AA	1	J, U			ERB			CASE HALF, Front
-2	68071841AA	1	J, U			ERB			CASE HALF, Rear
-3	68087907AA	17	J, U			ERB			SCREW, Hex Flange Head
-4	68087455AA	1	J, U			ERB			SEAL, Output
-5	68087457AA	2	J, U			ERB			PLUG, Fill, Drain & Fill Plug
-6	68087456AA	2	J, U			ERB			GASKET, Drain Plug, Drain & Fill Gasket
-7	68087890AA	1	J, U			ERB			SEAL, Input
-8	68087452AA	1	J, U			ERB			SEAL, Output
-9	68087902AA	2	J, U			ERB			DOWEL, Transfer Case

No Graphics Available
At Time Of Publication

GRAND CHEROKEE (WK)

SERIES LINE
H = HIGHLINE T = JEEP - 2WD
P = PREMIUM J = JEEP - 4WD
S = SPORT U = JEEP - 4WD (RHD)

BODY
74 = SPORT UTILITY 4-DR
TYPE #4

ENGINE
ERB = 3.0L Mid V6 Engine
EZH = 5.7L V8 HEMI MDS
VVT Engine
EXF = 3.0L V6 Turbo Diesel
Engine

TRANSMISSION
DGQ = 5-Spd Automatic 545RFE
Transmission
DGJ = 5-Speed Auto W5A580
Transmission

**Gear Train
Figure 021DHY-605**

ITEM	PART NUMBER	QTY	LINE	SERIES	BODY	ENGINE	TRANS	TRIM	DESCRIPTION
-1	68087873AA	1	J, U			ERB			SNUBBER, Chain
-2	68087874AA	2	J, U			ERB			BOLT
-3	68071845AA	1	J, U			ERB			FLANGE, Output
-4	68087889AA	1	J, U			ERB			BEARING, Output Shaft
-5	68087453AA	1	J, U			ERB			SNAP RING
-6	68087877AA	2	J, U			ERB			SNAP RING
-7	68087891AA	1	J, U			ERB			BEARING, Input Shaft
-8	68087892AA	1	J, U			ERB			BEARING, Output Shaft
-9	68087454AA	1	J, U			ERB			SNAP RING
-10	68087893AA	1	J, U			ERB			BEARING, Output Shaft
-11	68087458AA	1	J, U			ERB			FLANGE, Output
-12	68071842AA	1	J, U			ERB			MAINSHAFT, Transfer Case
-13	68071843AA	1	J, U			ERB			DIFFERENTIAL, Transfer Case
-14	68087894AA	1	J, U			ERB			SPROCKET, Driven
-15	68087899AA	1	J, U			ERB			SLINGER, Oil
-16	68087900AA	1	J, U			ERB			CHAIN, Transfer Case
-17	68087901AA	1	J, U			ERB			SNAP RING
-18	68087903AA	1	J, U			ERB			PLUG
-19	68087904AA	1	J, U			ERB			THRUST WASHER
-20	68087905AA	1	J, U			ERB			MAGNET
-21	68087909AA	1	J, U			ERB			SPROCKET, Drive
-22	68087910AA	1	J, U			ERB			SNAP RING
-23	05013477AB	1	J, U			ERB			SEALANT, RTV
-24	68088680AA	1	J, U			ERB			WASHER, Wave

No Graphics Available
At Time Of Publication

GRAND CHEROKEE (WK)

SERIES LINE
H = HIGHLINE T = JEEP - 2WD
P = PREMIUM J = JEEP - 4WD
S = SPORT U = JEEP - 4WD (RHD)

BODY
74 = SPORT UTILITY 4-DR
TYPE #4

ENGINE
ERB = 3.XL Mid V6 Engine
EZH = 5.7L V8 HEMI MDS
VVT Engine
EXF = 3.0L V6 Turbo Diesel
Engine

TRANSMISSION
DGQ = 5-Spd Automatic 545RFE
Transmission
DGJ = 5-Speed Auto W5A580
Transmission

Group - 021DKA

MP3023; 2 Speed Transfer Case

Group - 021DKA MP3023; 2 Speed Transfer Case

Illustration Title

Group-Fig. No.

Transfer Case Assembly

Transfer Case Assembly And Identification Fig. 021DKA - 105

Case, and Extension

Front Case Half MP3023 Fig. 021DKA - 205

Rear Case Half And Extension MP3023 Fig. 021DKA - 210

Oil Pump

Transfer Case Oil Pump MP3023 Fig. 021DKA - 405

Gear Train

Transfer Case Gear Train MP3023 Fig. 021DKA - 605

Fork and Rails

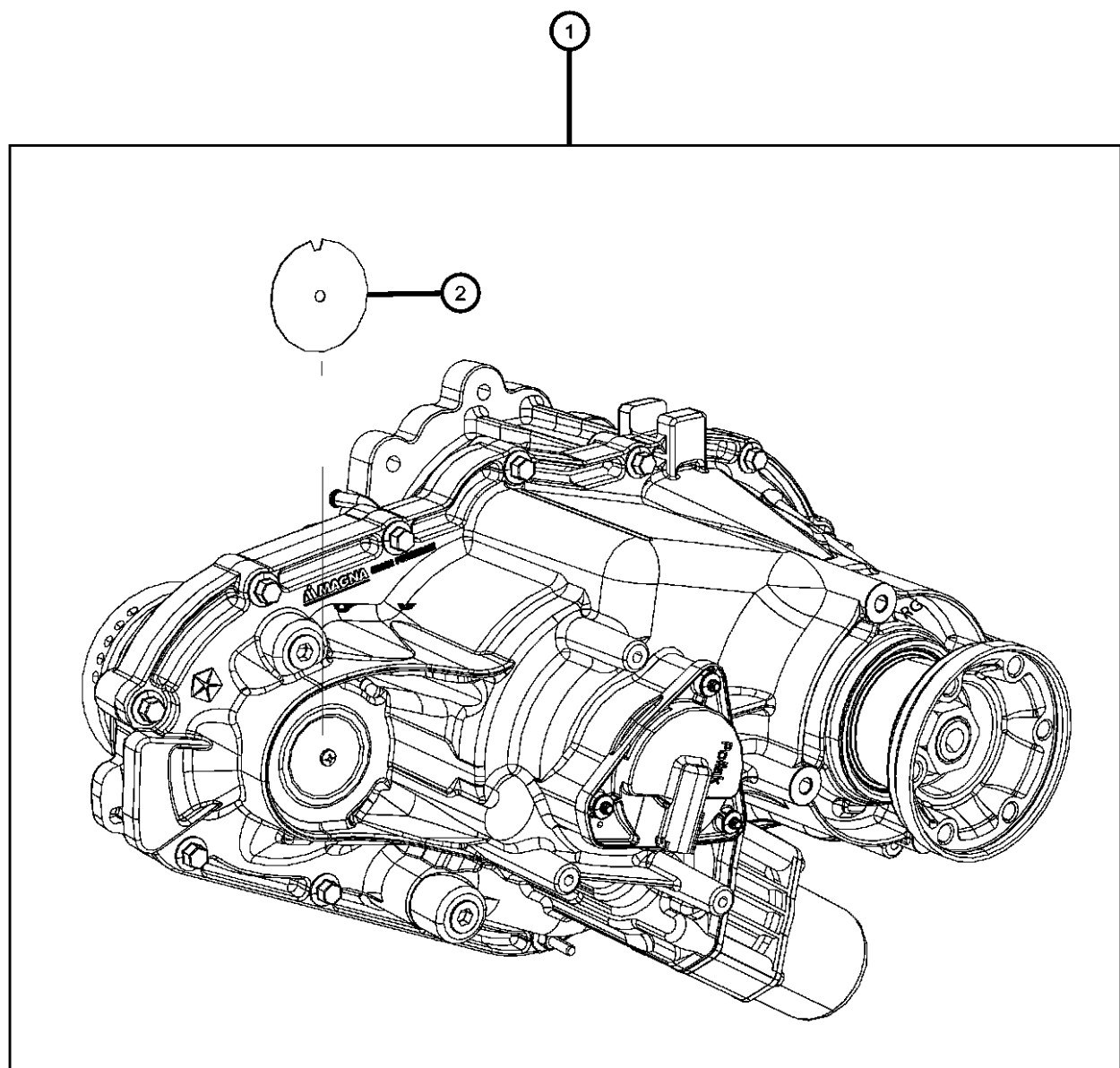
Shift Forks And Rails MP3023 Fig. 021DKA - 1005

Gearshift Controls and Related Parts

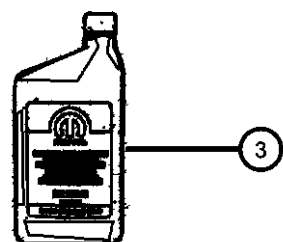
Gear Shift Motor MP3023 Fig. 021DKA - 1110

021DKA-100 Transfer Case Assembly	021DKA-1000 Fork and Rails	021DKA-1100 Gearshift Controls and Related Parts	021DKA-200 Case, and Extension
021DKA-400 Oil Pump	021DKA-600 Gear Train		

**Transfer Case Assembly And Identification
Figure 021DKA-105**



ITEM	PART NUMBER	QTY	LINE	SERIES	BODY	ENGINE	TRANS	TRIM	DESCRIPTION
1	52853664AB	1	J, U			EZH			TRANSFER CASE
	52853665AB	1	J, U			ERB, EXF			
2		1							IDENTIFICATION TAG, SCREW ON, (NOT SERVICED)
3		1							LUBRICANT, Transfer Case, Quart, (NOT SERVICED)



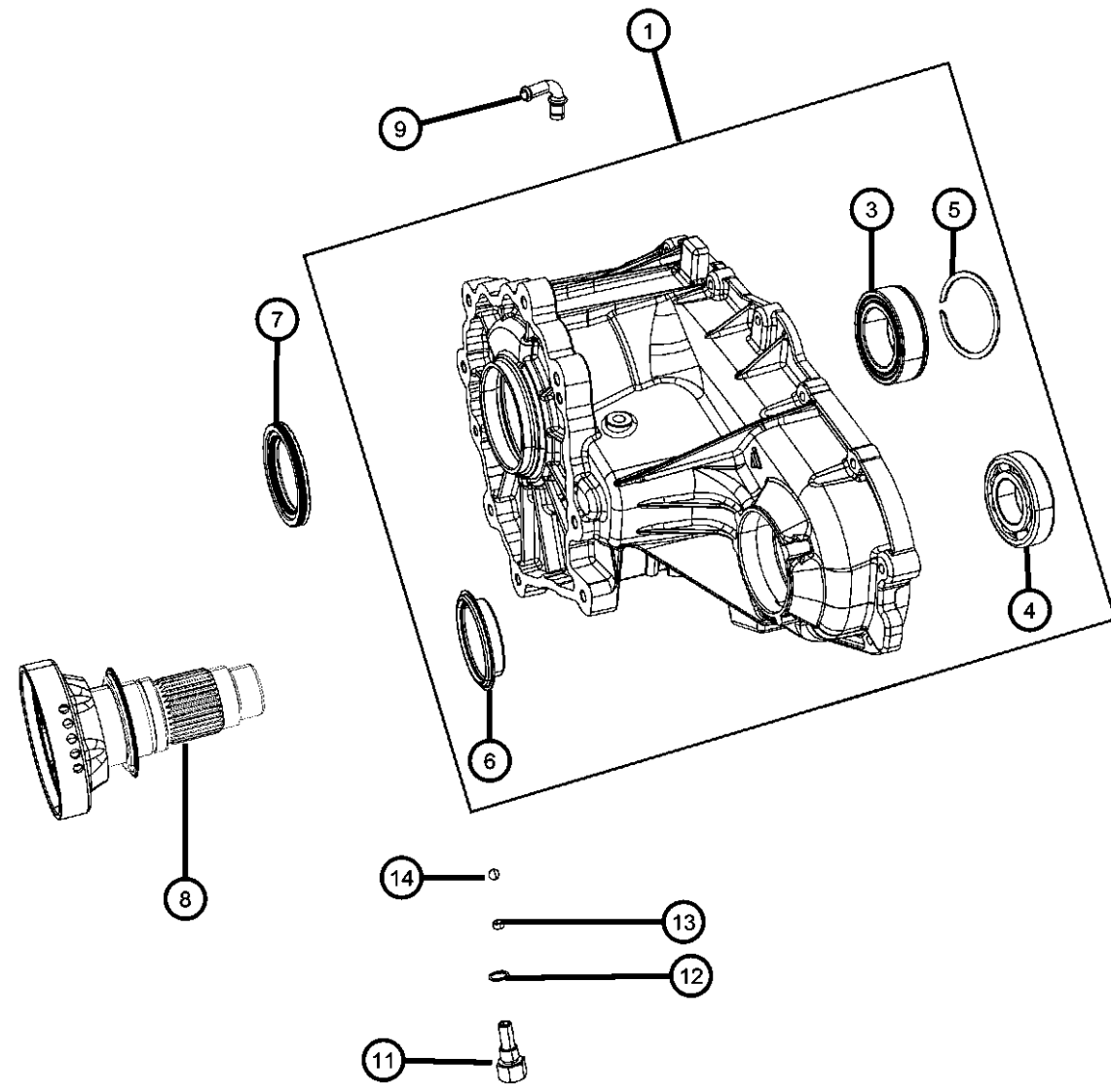
GRAND CHEROKEE (WK)

SERIES	LINE	BODY	ENGINE	TRANSMISSION
H = HIGHLINE	T = JEEP - 2WD	74 = SPORT UTILITY 4-DR	ERB = 3.0L Mid V6 Engine	DGQ = 5-Spd Automatic 545RFE
P = PREMIUM	J = JEEP - 4WD	TYPE #4	EZH = 5.7L V8 HEMI MDS VVT Engine	Transmission
S = SPORT	U = JEEP - 4WD (RHD)		EXF = 3.0L V6 Turbo Diesel Engine	DGJ = 5-Speed Auto W5A580 Transmission

AR = use ase required - = Non illustrated part

Front Case Half MP3023
Figure 021DKA-205

ITEM	PART NUMBER	QTY	LINE	SERIES	BODY	ENGINE	TRANS	TRIM	DESCRIPTION
1	68071192AB	1	J, U			EZH			CASE HALF, Front
		1	J, U			ERB, EXF			
-2	04219065	1	J, U			ERB, EXF			SNAP RING, Annulus Gear
		1	J, U			EZH			
3	05012997AC	1	J, U			EXF, ERB			BEARING, Input Gear
		1	J, U			EZH			
4	05143739AA	1	J, U			ERB, EXF			BEARING, Input Gear
		1	J, U			EZH			
5	05143748AA	1	J, U			ERB, EXF			SNAP RING
		1	J, U			EZH			
6	05143715AA	1	J, U			ERB, EXF			SEAL, Output
		2	J, U			EZH			
7	05143714AA	1	J, U			EZH			SEAL, Input
	68071194AA	1	J, U			ERB, EXF			
8	68071197AA	1	J, U			ERB, EXF			FLANGE, Output
		1	J, U			EZH			
9	68001633AA	1	J, U			ERB, EXF			VENT, Transfer Case
		1	J, U			EZH			
-10	68066184AA	1	J, U			EXF	DGJ		HOSE, Transfer Case Vent
11	04886473AA	1	J, U			EZH			SCREW
		1	J, U			ERB, EXF			
12	04338956	1	J, U			EZH			SEAL, Vacuum Switch
		1	J, U			ERB, EXF			
13									SPRING



GRAND CHEROKEE (WK)

SERIES

H = HIGHLINE

P = PREMIUM

S = SPORT

LINE

T = JEEP - 2WD

J = JEEP - 4WD

U = JEEP - 4WD (RHD)

BODY

74 = SPORT UTILITY 4-DR

TYPE #4

ENGINE

ERB = 3.0L Mid V6 Engine

EZH = 5.7L V8 HEMI MDS

VVT Engine

EXF = 3.0L V6 Turbo Diesel

Engine

TRANSMISSION

DGQ = 5-Spd Automatic 545RFE

Transmission

DGJ = 5-Speed Auto W5A580

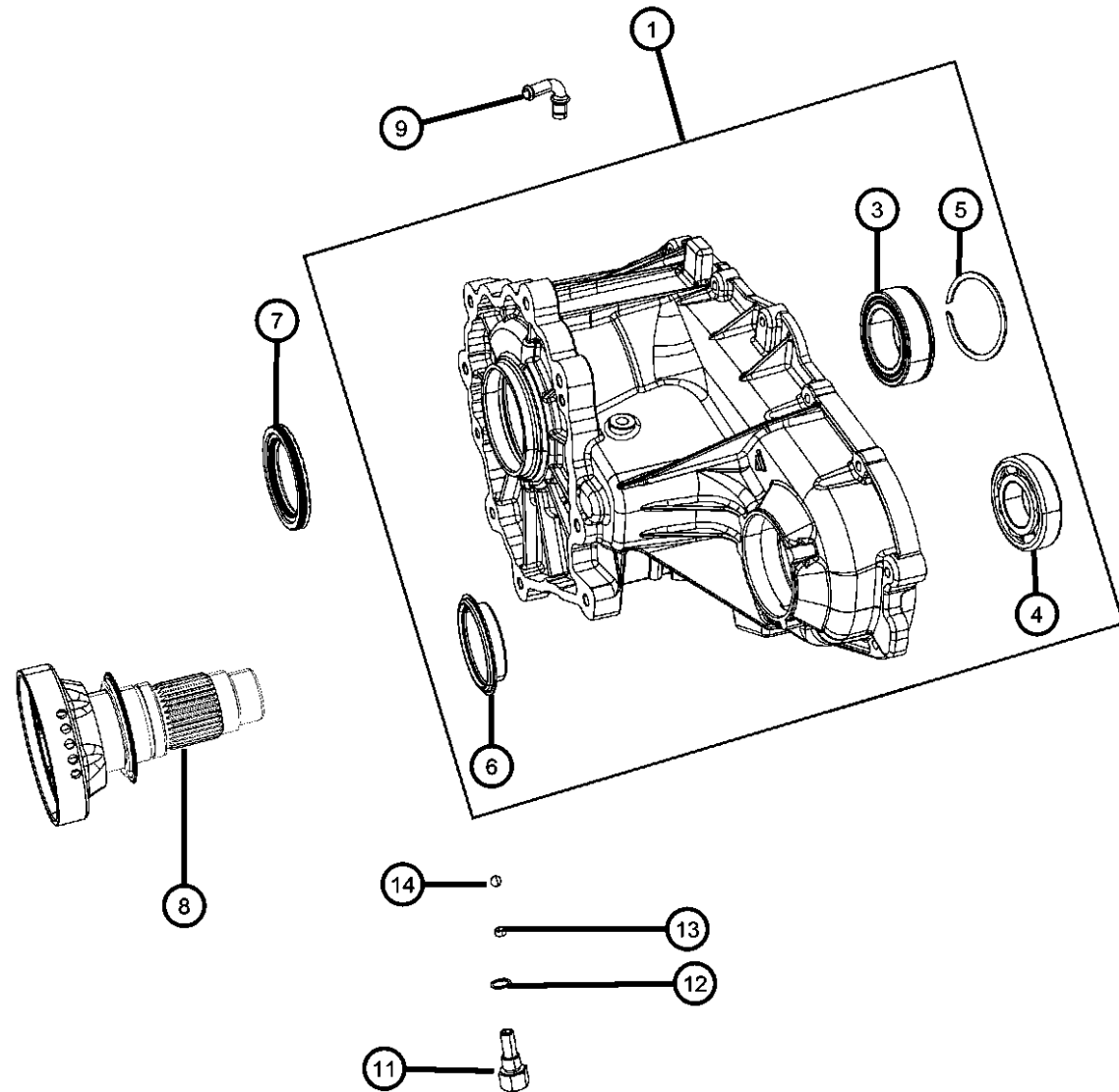
Transmission

AR = use ase required - = Non illustrated part

2011 WK

Front Case Half MP3023
Figure 021DKA-205

ITEM	PART NUMBER	QTY	LINE	SERIES	BODY	ENGINE	TRANS	TRIM	DESCRIPTION
	05003445AA	1	J, U			EZH			
		1	J, U			ERB, EXF			
14	05003444AA	1	J, U			EZH			PLUNGER
		1	J, U			ERB, EXF			



GRAND CHEROKEE (WK)

SERIES LINE
H = HIGHLINE T = JEEP - 2WD
P = PREMIUM J = JEEP - 4WD
S = SPORT U = JEEP - 4WD (RHD)

BODY
74 = SPORT UTILITY 4-DR
TYPE #4

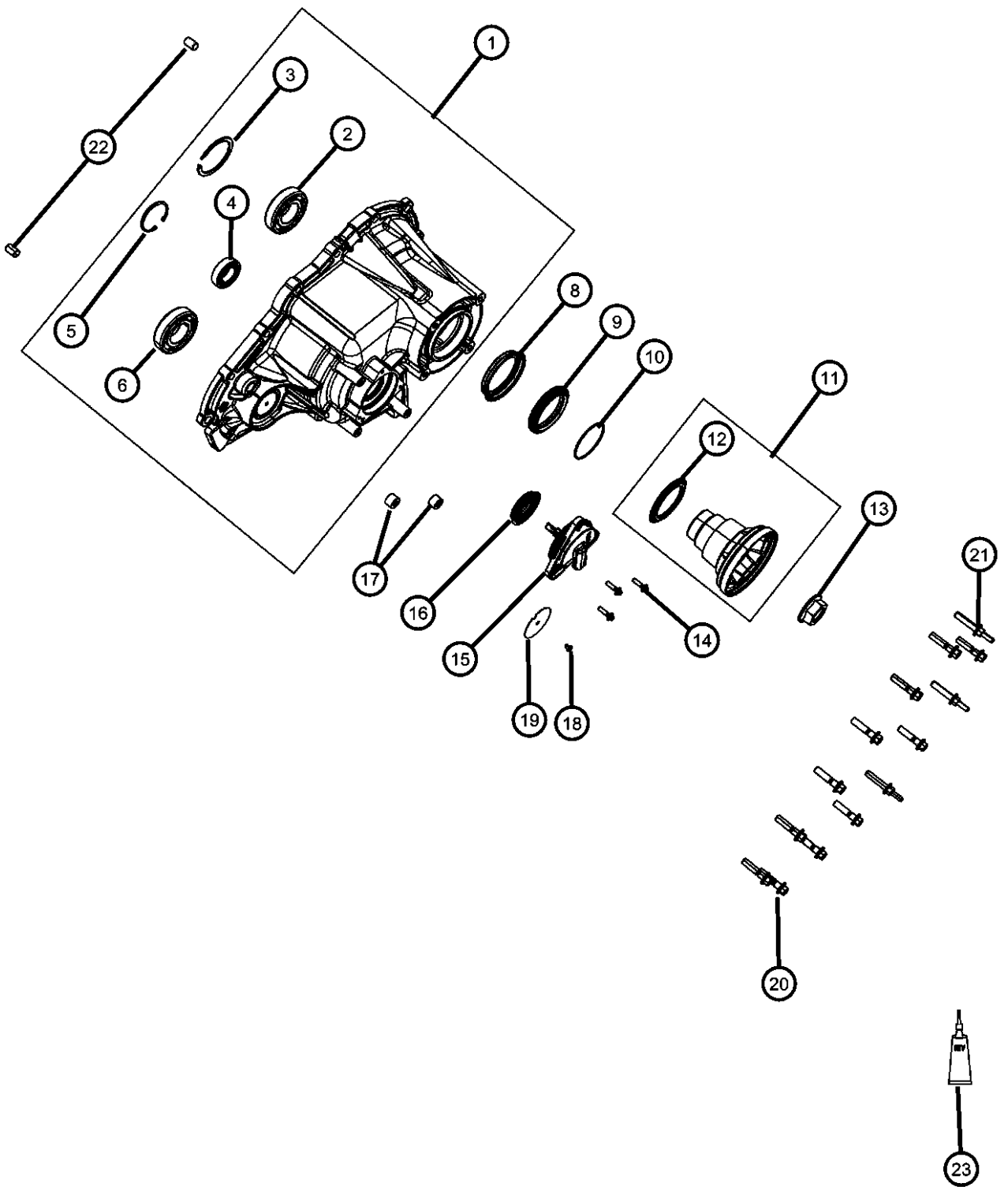
ENGINE
ERB = 3.XL Mid V6 Engine
EZH = 5.7L V8 HEMI MDS
VVT Engine
EXF = 3.0L V6 Turbo Diesel
Engine

TRANSMISSION
DGQ = 5-Spd Automatic 545RFE
Transmission
DGJ = 5-Speed Auto W5A580
Transmission

AR = use ase required - = Non illustrated part

2011 WK

Rear Case Half And Extension MP3023
Figure 021DKA-210



ITEM	PART NUMBER	QTY	LINE	SERIES	BODY	ENGINE	TRANS	TRIM	DESCRIPTION
1	68071230AB	1	J, U			EZH			CASE HALF, Rear
		1	J, U			ERB, EXF			
2	04897981AB	1	J, U			ERB, EXF			BEARING, Output Shaft
		1	J, U			EZH			
3	05072306AB	1	J, U			ERB, EXF			SNAP RING
		1	J, U			EZH			
4	68026948AA	1	J, U			EZH			BEARING, Shift Shaft
		1	J, U			ERB, EXF			
5	68026947AA	1	J, U			EZH			RING, Retaining
		1	J, U			ERB, EXF			
6	68071227AA	1	J, U			EZH			BEARING, Output Shaft
		1	J, U			ERB, EXF			
-7	68026949AA	1	J, U			ERB, EXF			BEARING, Shift Shaft
		1	J, U			EZH			
8	68071232AA	1	J, U			EZH			THRUST WASHER
		1	J, U			ERB, EXF			
9	05143715AA	1	J, U			ERB, EXF			SEAL, Output
		2	J, U			EZH			
10	68001933AA	1	J, U			EZH			O RING, Spline seal
		1	J, U			ERB, EXF			
11	68071233AB	1	J, U			EZH			FLANGE, Drive Shaft
		1	J, U			ERB, EXF			
12		1							SLEEVE, Wear, (NOT SERVICED)
13									NUT, Transfer Case Yoke

GRAND CHEROKEE (WK)

SERIES LINE
H = HIGHLINE T = JEEP - 2WD
P = PREMIUM J = JEEP - 4WD
S = SPORT U = JEEP - 4WD (RHD)

BODY
74 = SPORT UTILITY 4-DR
TYPE #4

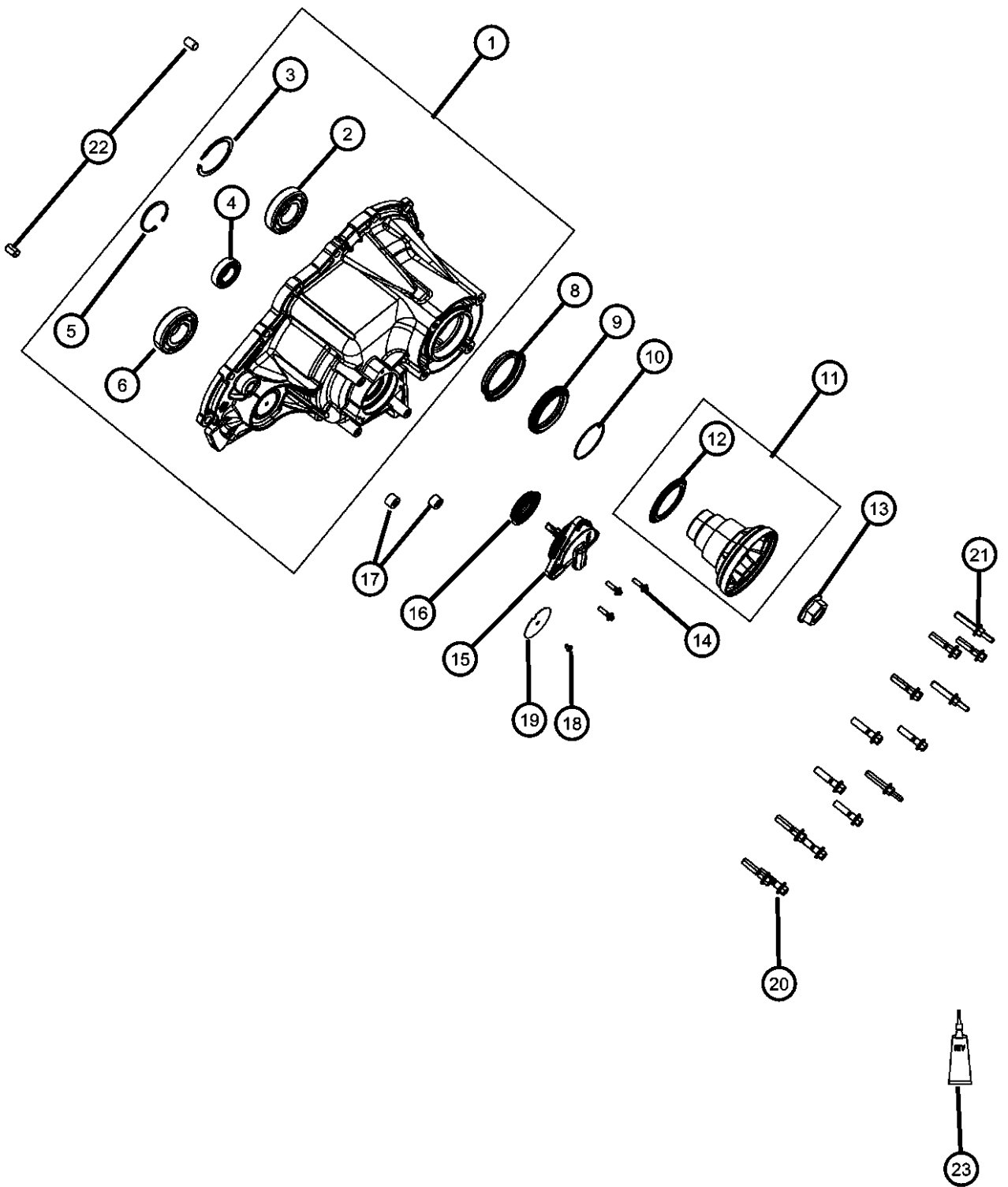
ENGINE
ERB = 3.0L V6 Engine
EZH = 5.7L V8 HEMI MDS
VVT Engine
EXF = 3.0L V6 Turbo Diesel
Engine

TRANSMISSION
DGQ = 5-Spd Automatic 545RFE
Transmission
DGJ = 5-Speed Auto W5A580
Transmission

AR = use ase required - = Non illustrated part

2011 WK

Rear Case Half And Extension MP3023
Figure 021DKA-210



ITEM	PART NUMBER	QTY	LINE	SERIES	BODY	ENGINE	TRANS	TRIM	DESCRIPTION
	05143738AB	1	J, U			ERB, EXF			
		1	J, U			EZH			
14									SCREW
	68027031AA	3	J, U			EZH			
		1	J, U			ERB, EXF			
15									SENSOR, Transfer Case Position
	68071234AA	1	J, U			EZH			
		1	J, U			ERB, EXF			
16									SEAL
	68026955AA	1	J, U			EZH			
		1	J, U			ERB, EXF			
17									PLUG, Transmission Drain
	04797323	1	J, U			EZH			
		1	J, U			ERB, EXF			
18		1							SCREW, (NOT SERVICED)
19		1							IDENTIFICATION TAG, SCREW ON, (NOT SERVICED)
20									SCREW, Hex Flange Head, M8x1.25x35
	06101526	11	J, U			EZH			
		11	J, U			ERB, EXF			
21									BOLT, Hex Flange Head
	68071231AA	3	J, U			EZH			
		3	J, U			ERB, EXF			
22									DOWEL, Transfer Case
	05086335AA	2	J, U			ERB, EXF			
		2	J, U			EZH			
23									SEALANT, RTV
	05013477AB	1	J, U			EZH			
		1	J, U			ERB, EXF			

GRAND CHEROKEE (WK)

SERIES LINE
H = HIGHLINE T = JEEP - 2WD
P = PREMIUM J = JEEP - 4WD
S = SPORT U = JEEP - 4WD (RHD)

BODY
74 = SPORT UTILITY 4-DR
TYPE #4

ENGINE
ERB = 3.0L V6 Engine
EZH = 5.7L V8 HEMI MDS
VVT Engine
EXF = 3.0L V6 Turbo Diesel
Engine

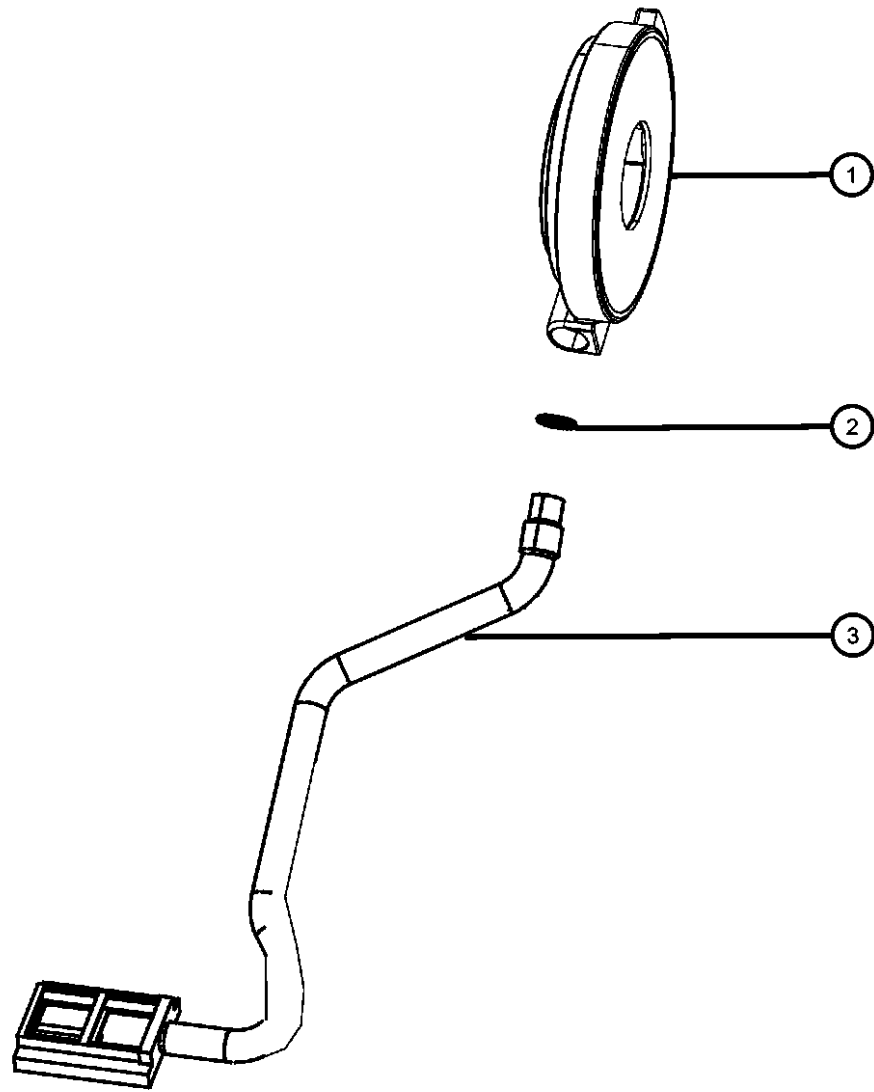
TRANSMISSION
DGQ = 5-Spd Automatic 545RFE
Transmission
DGJ = 5-Speed Auto W5A580
Transmission

AR = use ase required - = Non illustrated part

2011 WK

**Transfer Case Oil Pump MP3023
Figure 021DKA-405**

ITEM	PART NUMBER	QTY	LINE	SERIES	BODY	ENGINE	TRANS	TRIM	DESCRIPTION
1	68023505AA	1	J, U			EZH			PUMP, Transfer Case Oil
		1	J, U			ERB, EXF			
2	05013016AB	1	J, U			EZH			SEAL, Transfer Case
		1	J, U			ERB, EXF			
3	68071226AA	1	J, U			EZH			SCREEN ASSEMBLY
		1	J, U			ERB, EXF			



GRAND CHEROKEE (WK)

SERIES LINE
H = HIGHLINE T = JEEP - 2WD
P = PREMIUM J = JEEP - 4WD
S = SPORT U = JEEP - 4WD (RHD)

BODY
74 = SPORT UTILITY 4-DR
TYPE #4

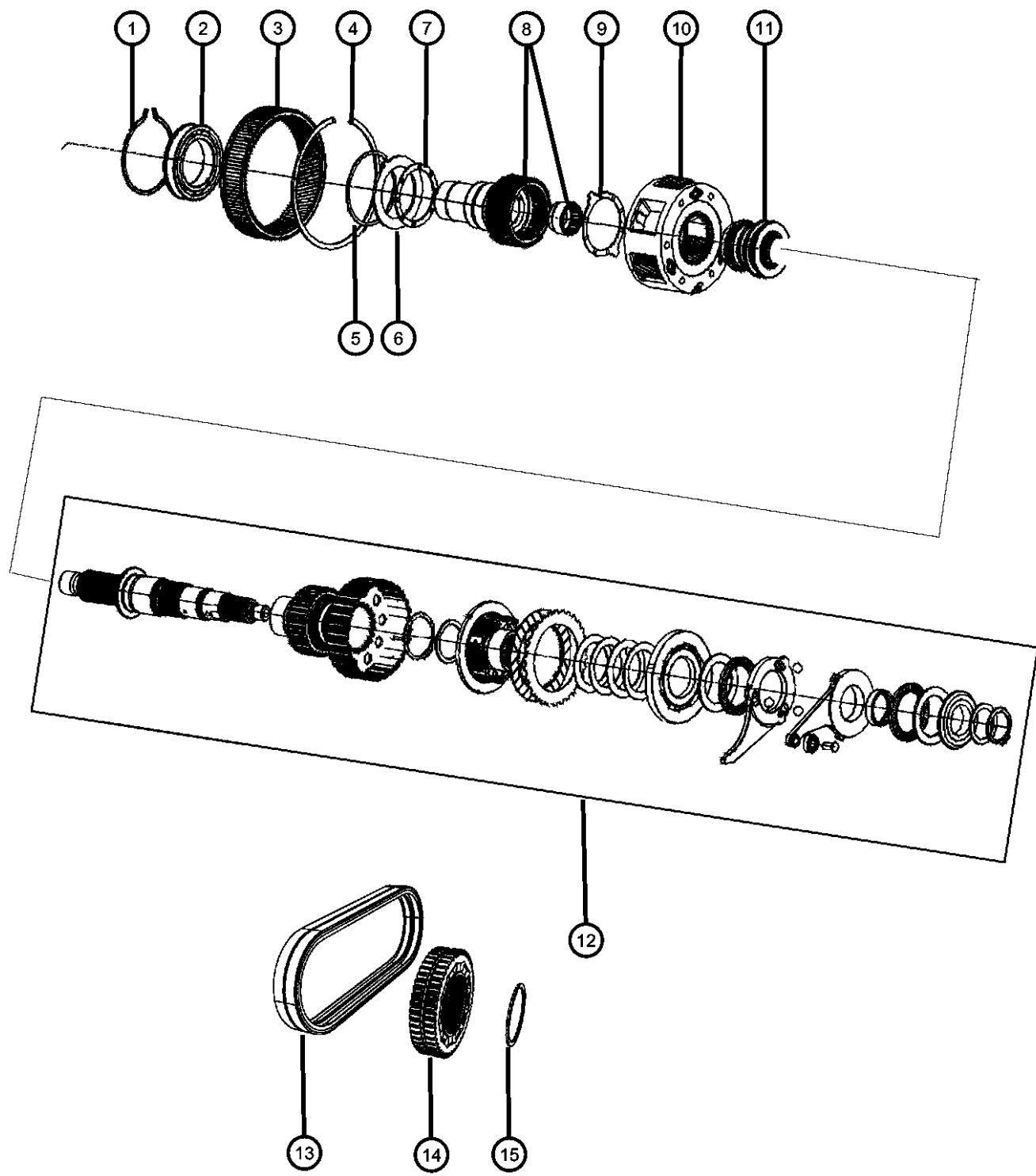
ENGINE
ERB = 3.XL Mid V6 Engine
EZH = 5.7L V8 HEMI MDS
VVT Engine
EXF = 3.0L V6 Turbo Diesel
Engine

TRANSMISSION
DGQ = 5-Spd Automatic 545RFE
Transmission
DGJ = 5-Speed Auto W5A580
Transmission

AR = use ase required - = Non illustrated part

2011 WK

**Transfer Case Gear Train MP3023
Figure 021DKA-605**



ITEM	PART NUMBER	QTY	LINE	SERIES	BODY	ENGINE	TRANS	TRIM	DESCRIPTION
1	05143748AA	1	J, U			ERB, EXF			SNAP RING
		1	J, U			EZH			
2	05143739AA	1	J, U			ERB, EXF			BEARING, Input Gear
		1	J, U			EZH			
3		1							GEAR, Annulus, Serviced With Front Case, (NOT SERVICED)
4	04219065	1	J, U			ERB, EXF			SNAP RING, Annulus Gear
		1	J, U			EZH			
5	05143751AA	1	J, U			ERB, EXF			SNAP RING
		1	J, U			EZH			
6	05019579AA	1	J, U			EZH			PLATE
		1	J, U			ERB, EXL			
7	05086313AA	1	J, U			ERB, EXF			THRUST WASHER, Planetary Carrier
		1	J, U			EZH			
8	68071199AA	1	J, U			EZH			GEAR, Input
	68071342AA	1	J, U			ERB, EXF			
9	04338908	1	J, U			ERB, EXF			THRUST WASHER, Planetary Carrier
		1	J, U			EZH			
10	04796903AB	1	J, U			ERB, EXF			PLANETARY, Transfer Case
		1	J, U			EZH			
11	68026920AA	1	J, U			ERB, EXF			SLEEVE, Shift Range
		1	J, U			EZH			
12	68071221AB	1	J, U			EZH			MAINSHAFT, Transfer Case

GRAND CHEROKEE (WK)

SERIES LINE
H = HIGHLINE T = JEEP - 2WD
P = PREMIUM J = JEEP - 4WD
S = SPORT U = JEEP - 4WD (RHD)

BODY
74 = SPORT UTILITY 4-DR
TYPE #4

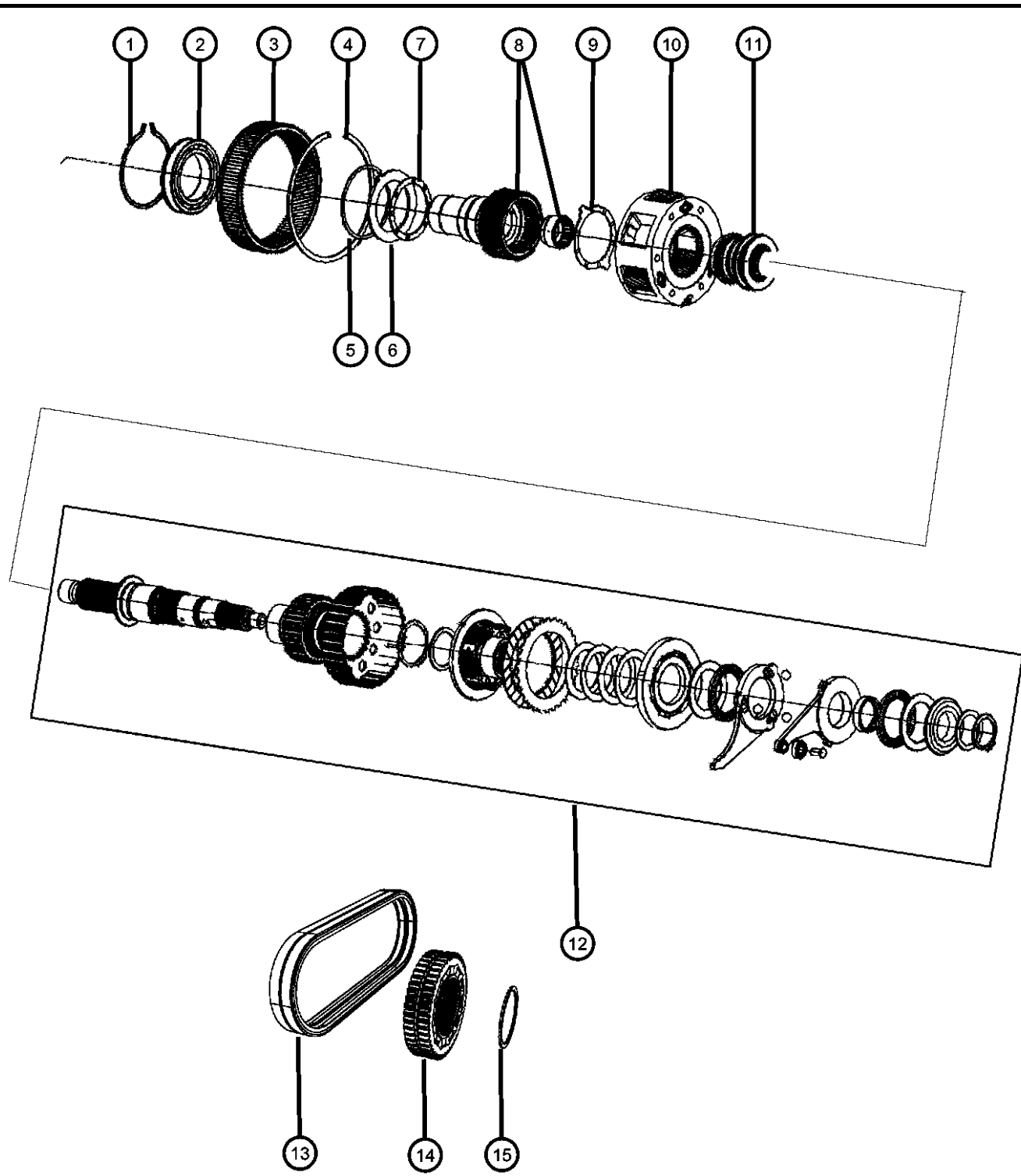
ENGINE
ERB = 3.0L V6 Engine
EZH = 5.7L V8 HEMI MDS
VVT Engine
EXF = 3.0L V6 Turbo Diesel
Engine

TRANSMISSION
DGQ = 5-Spd Automatic 545RFE
Transmission
DGJ = 5-Speed Auto W5A580
Transmission

AR = use ase required - = Non illustrated part

2011 WK

Transfer Case Gear Train MP3023
Figure 021DKA-605



ITEM	PART NUMBER	QTY	LINE	SERIES	BODY	ENGINE	TRANS	TRIM	DESCRIPTION
13		1	J, U			EXF, ERB			CHAIN, Transfer Case
	68071223AA	1	J, U			EZH			
14		1	J, U			ERB, EXF			SPROCKET, Transfer Case
	68071222AA	1	J, U			EZH			
		1	J, U			ERB, EXF			
15		1	J, U			EZH			SNAP RING
	05072306AB	1	J, U			ERB, EXF			

GRAND CHEROKEE (WK)

SERIES LINE
H = HIGHLINE T = JEEP - 2WD
P = PREMIUM J = JEEP - 4WD
S = SPORT U = JEEP - 4WD (RHD)

BODY
74 = SPORT UTILITY 4-DR
TYPE #4

ENGINE
ERB = 3.0L V6 Turbo Diesel
EZH = 5.7L V8 HEMI MDS
VVT Engine
EXF = 3.0L V6 Turbo Diesel
Engine

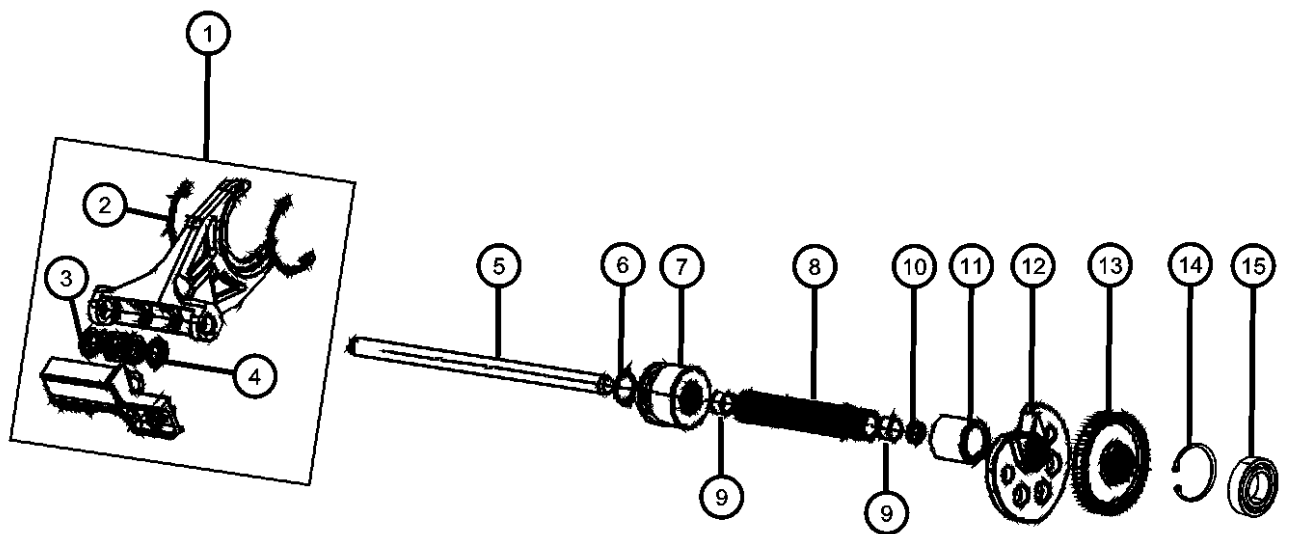
TRANSMISSION
DGQ = 5-Spd Automatic 545RFE
Transmission
DGJ = 5-Speed Auto W5A580
Transmission

AR = use ase required - = Non illustrated part

2011 WK

Shift Forks And Rails MP3023
Figure 021DKA-1005

ITEM	PART NUMBER	QTY	LINE	SERIES	BODY	ENGINE	TRANS	TRIM	DESCRIPTION
1	68026906AB	1	J, U			EZH			FORK, Range
		1	J, U			ERB, EXF			
2	05086318AA	2	J, U			EZH			PAD, Shift Fork
		2	J, U			ERB, EXF			
3	05019580AB	1	J, U			ERB, EXF			SPRING
		1	J, U			EZH			
4	05019581AA	2	J, U			EZH			WASHER
		2	J, U			EXF, ERB			
5	68071213AA	1	J, U			EZH			RAIL, Shift
		1	J, U			ERB, EXF			
6	68026927AA	2	J, U			EZH			RING, Retaining
		2	J, U			EXF, ERB			
7	68071217AA	1	J, U			EZH			COUPLING, Shift Position
		1	J, U			ERB, EXF			
8	68071220AA	1	J, U			EZH			SHAFT, Shift Lever
		1	J, U			ERB, EXF			
9		1							BUSHING, Shift Rail, Serviced With Item 3, (NOT SERVICED)
10		1							CUP, Serviced With Item 3, (NOT SERVICED)
11	68026936AA	1	J, U			EZH			SPACER
		1	J, U			ERB, EXF			
12	68026932AA	1	J, U			EZH			CLUTCH, Shift Cam
		1	J, U			ERB, EXF			
13	68026940AA	1	J, U			EZH			GEAR, Worm Driven



GRAND CHEROKEE (WK)

SERIES LINE
H = HIGHLINE T = JEEP - 2WD
P = PREMIUM J = JEEP - 4WD
S = SPORT U = JEEP - 4WD (RHD)

BODY
74 = SPORT UTILITY 4-DR
TYPE #4

ENGINE
ERB = 3.XL Mid V6 Engine
EZH = 5.7L V8 HEMI MDS
VVT Engine
EXF = 3.0L V6 Turbo Diesel
Engine

TRANSMISSION
DGQ = 5-Spd Automatic 545RFE
Transmission
DGJ = 5-Speed Auto W5A580
Transmission

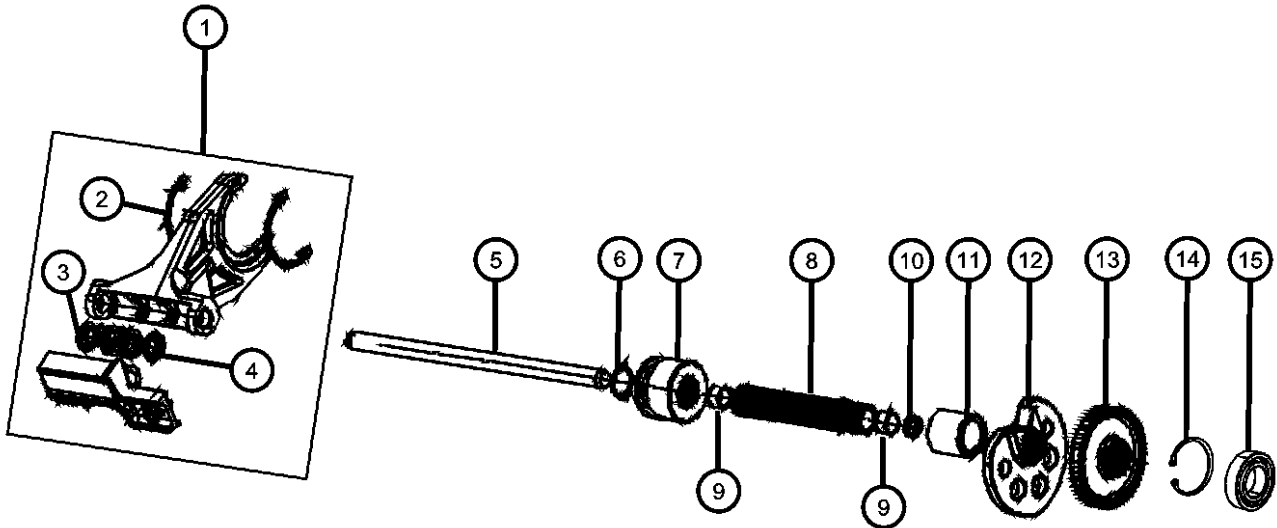
AR = use ase required - = Non illustrated part

2011 WK

Shift Forks And Rails MP3023

Figure 021DKA-1005

ITEM	PART NUMBER	QTY	LINE	SERIES	BODY	ENGINE	TRANS	TRIM	DESCRIPTION
		1	J, U			ERB, EXF			
14	68026947AA	1	J, U			EZH			RING, Retaining
		1	J, U			ERB, EXF			
15	68026948AA	1	J, U			EZH			BEARING, Shift Shaft
		1	J, U			ERB, EXF			



GRAND CHEROKEE (WK)

SERIES LINE
 H = HIGHLINE T = JEEP - 2WD
 P = PREMIUM J = JEEP - 4WD
 S = SPORT U = JEEP - 4WD (RHD)

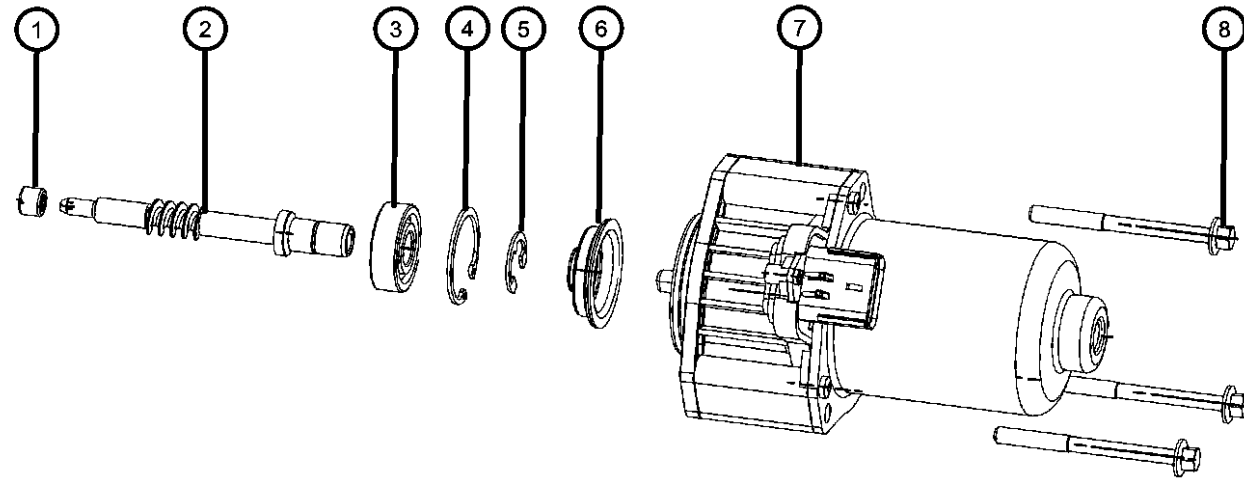
BODY
 74 = SPORT UTILITY 4-DR
 TYPE #4

ENGINE
 ERB = 3.XL Mid V6 Engine
 EZH = 5.7L V8 HEMI MDS
 VVT Engine
 EXF = 3.0L V6 Turbo Diesel
 Engine

TRANSMISSION
 DGQ = 5-Spd Automatic 545RFE
 Transmission
 DGJ = 5-Speed Auto W5A580
 Transmission

AR = use ase required - = Non illustrated part

**Gear Shift Motor MP3023
Figure 021DKA-1110**



ITEM	PART NUMBER	QTY	LINE	SERIES	BODY	ENGINE	TRANS	TRIM	DESCRIPTION
1	68026949AA	1	J, U			EZH			BEARING, Shift Shaft
		1	J, U			ERB, EXF			
2	68026998AC	1	J, U			EZH			WORM SHAFT, Gear Motor
		1	J, U			ERB, EXF			
3	68027021AA	1	J, U			EZH			BEARING, Gear Motor
		1	J, U			ERB, EXF			
4	68026957AA	1	J, U			EZH			SNAP RING
		1	J, U			ERB, EXF			
5	68026956AA	1	J, U			EZH			SNAP RING
		1	J, U			ERB, EXF			
6	68026955AA	1	J, U			EZH			SEAL
		1	J, U			ERB, EXF			
7	68071235AA	1	J, U			EZH			GEAR MOTOR, Transfer Case
		1	J, U			ERB, EXF			
8	68027032AA	3	J, U			EZH			SCREW
		3	J, U			ERB, EXF			

GRAND CHEROKEE (WK)

SERIES LINE
H = HIGHLINE T = JEEP - 2WD
P = PREMIUM J = JEEP - 4WD
S = SPORT U = JEEP - 4WD (RHD)

BODY
74 = SPORT UTILITY 4-DR
TYPE #4

ENGINE
ERB = 3.XL Mid V6 Engine
EZH = 5.7L V8 HEMI MDS
VVT Engine
EXF = 3.0L V6 Turbo Diesel
Engine

TRANSMISSION
DGQ = 5-Spd Automatic 545RFE
Transmission
DGJ = 5-Speed Auto W5A580
Transmission

AR = use ase required - = Non illustrated part

2011 WK

Group - 22

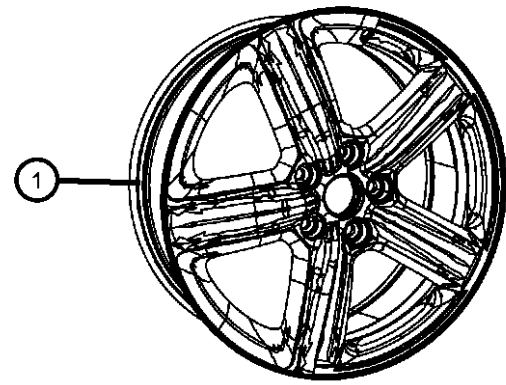
Wheels

Group - 22 Wheels

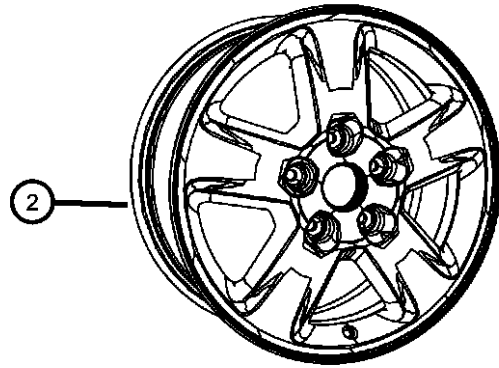
Illustration Title	Group-Fig. No.
Wheels, Tires and Hardware	
Wheels and Hardware	Fig. 22 - 105
Wheel Covers and Center Caps	
Wheel Cover and Center Caps.....	Fig. 22 - 205
Jack Stowage	
Jack Assembly And Tools	Fig. 22 - 305
Inflator.....	Fig. 22 - 310
Wheel Spare	
Spare Wheel Stowage	Fig. 22 - 405
Emergency Kit	
Emergency Kit.....	Fig. 22 - 505
Tire Monitoring System	
Tire Monitoring System	Fig. 22 - 605

022-100 Wheels, Tires and Hardware	022-200 Wheel Covers and Center Caps	022-300 Jack Stowage	022-400 Wheel Spare
022-500 Emergency Kit	022-600 Tire Monitoring System		

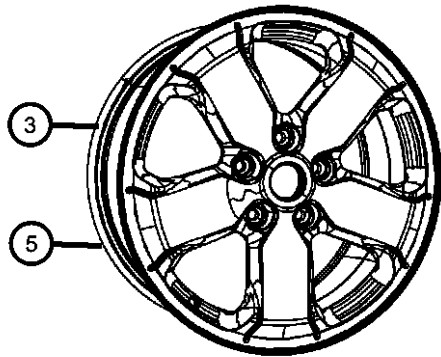
Wheels and Hardware
Figure 22-105



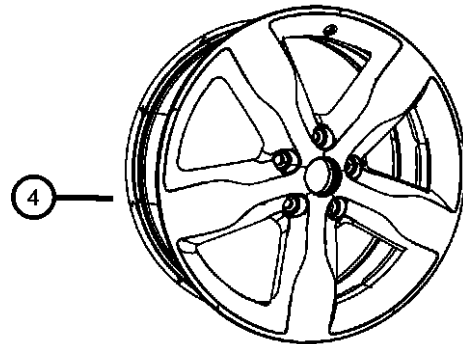
WP2



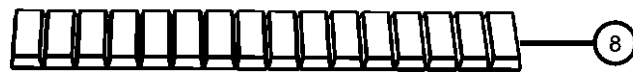
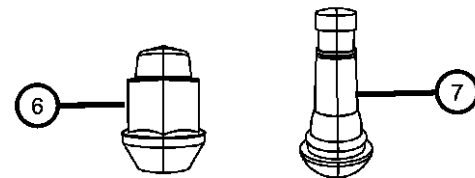
WF6



WPD



WPF



ITEM	PART NUMBER	QTY	LINE	SERIES	BODY	ENGINE	TRANS	TRIM	DESCRIPTION
1	1HQ21SZ0AB	2	J, T, U		74				WHEEL, Aluminum, [WP2]
2	1HX64GSAAB	2	J, T, U		74				WHEEL, Aluminum, [WF6]
3	1HX65AAAAB	2	J, T, U		74				WHEEL, Aluminum, [WPD]
4	1JD14DD5AB	2	J, T, U		74				WHEEL, Aluminum, [WPF]
5	1RV66GSAAA	2	J, T, U		74				WHEEL, Aluminum, [WPR]
6	06509422AA	20	J, T, U		74				NUT, Wheel
7	02073355	4	J, T, U		74				STEM, Wheel Valve
8	05154061AA	AR	J, T, U		74				WEIGHT, WHEEL, 3.00 OUNCE
-9	04726155AA	1	J, T, U		74				LOCK SET, Wheel

GRAND CHEROKEE (WK)

SERIES LINE
H = HIGHLINE T = JEEP - 2WD
P = PREMIUM J = JEEP - 4WD
S = SPORT U = JEEP - 4WD (RHD)

BODY
74 = SPORT UTILITY 4-DR
TYPE #4

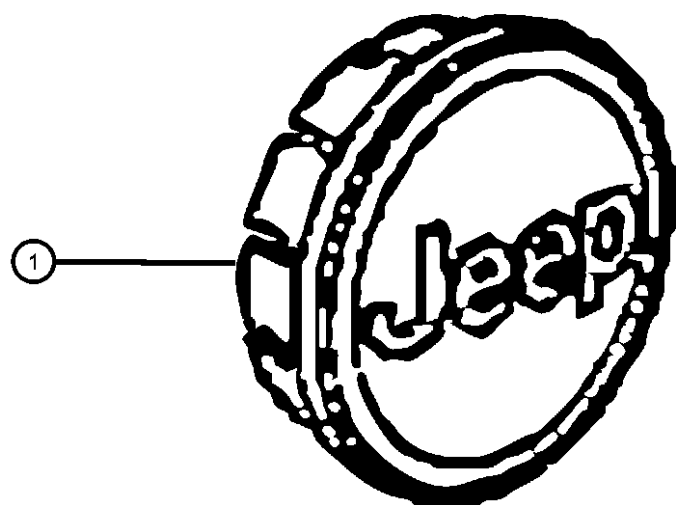
ENGINE
ERB = 3.0L Mid V6 Engine
EZH = 5.7L V8 HEMI MDS
VVT Engine
EXF = 3.0L V6 Turbo Diesel
Engine

TRANSMISSION
DGQ = 5-Spd Automatic 545RFE
Transmission
DGJ = 5-Speed Auto W5A580
Transmission

AR = use ase required - = Non illustrated part

**Wheel Cover and Center Caps
Figure 22-205**

ITEM	PART NUMBER	QTY	LINE	SERIES	BODY	ENGINE	TRANS	TRIM	DESCRIPTION
1	1LB77SZ0AB	4	J, T, U		74				CAP, Wheel Center



GRAND CHEROKEE (WK)

SERIES	LINE
H = HIGHLINE	T = JEEP - 2WD
P = PREMIUM	J = JEEP - 4WD
S = SPORT	U = JEEP - 4WD (RHD)

BODY
74 = SPORT UTILITY 4-DR
TYPE #4

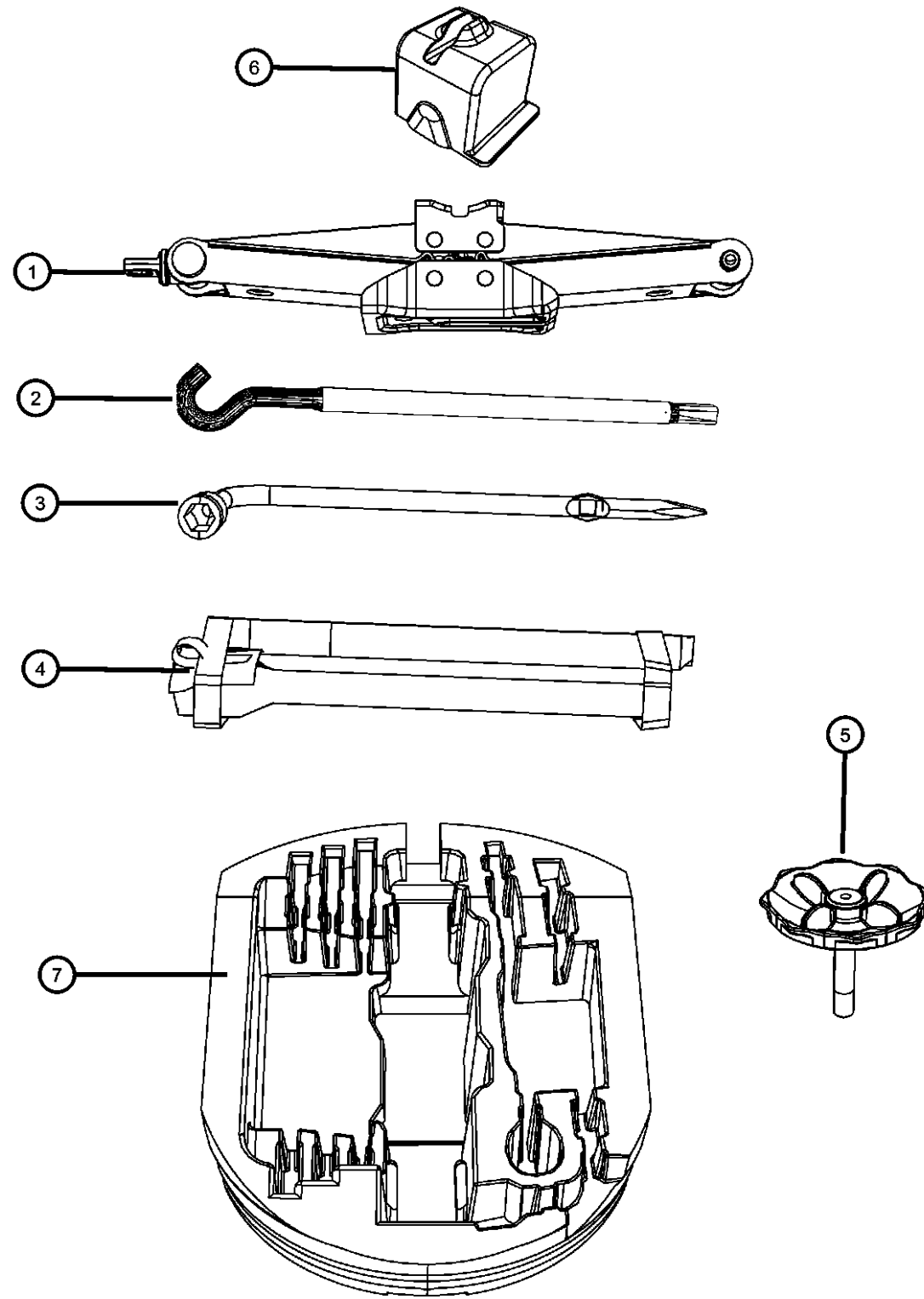
ENGINE
ERB = 3.0L Mid V6 Engine
EZH = 5.7L V8 HEMI MDS
VVT Engine
EXF = 3.0L V6 Turbo Diesel
Engine

TRANSMISSION
DGQ = 5-Spd Automatic 545RFE
Transmission
DGJ = 5-Speed Auto W5A580
Transmission

AR = use ase required - = Non illustrated part

2011 WK

Jack Assembly And Tools
Figure 22-305



ITEM	PART NUMBER	QTY	LINE	SERIES	BODY	ENGINE	TRANS	TRIM	DESCRIPTION
1	68068665AC	1	J, T, U		74				JACK, Scissors
2	52124172AA	1	J, T, U		74				DRIVER, Jack Handle
3	52855522AA	1	J, T, U		74				WRENCH, Wheel Lug Nut
4									TOOL SET
	55352852AA	1	J, T, U		74				Emergency Kit
	55371011AC	1	J, T, U		74				Export
5	06035073	4	J, T		74				RIVET, Blind, .190x.670
6	68058614AB	1	J, T, U		74				COVER, Jack
7	68061747AB	1	J, T, U		74				TRAY, Jack Storage

GRAND CHEROKEE (WK)

SERIES LINE
H = HIGHLINE T = JEEP - 2WD
P = PREMIUM J = JEEP - 4WD
S = SPORT U = JEEP - 4WD (RHD)

BODY
74 = SPORT UTILITY 4-DR
TYPE #4

ENGINE
ERB = 3.XL Mid V6 Engine
EZH = 5.7L V8 HEMI MDS
VVT Engine
EXF = 3.0L V6 Turbo Diesel
Engine

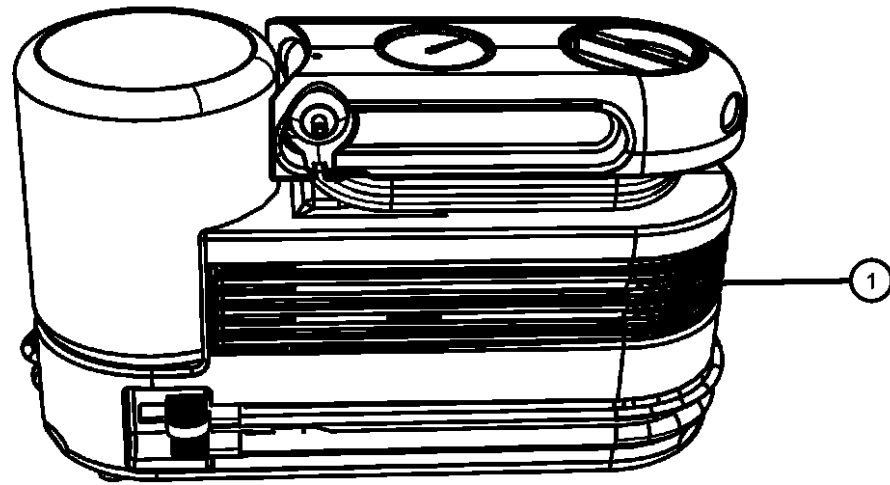
TRANSMISSION
DGQ = 5-Spd Automatic 545RFE
Transmission
DGJ = 5-Speed Auto W5A580
Transmission

AR = use ase required - = Non illustrated part

2011 WK

Inflator
Figure 22-310

ITEM	PART NUMBER	QTY	LINE	SERIES	BODY	ENGINE	TRANS	TRIM	DESCRIPTION
1	68082668AA	1	J, T, U		74				COMPRESSOR, Tire
-2	68082669AA	1	J, T, U		74				SEALANT, Tire



GRAND CHEROKEE (WK)

SERIES LINE
H = HIGHLINE T = JEEP - 2WD
P = PREMIUM J = JEEP - 4WD
S = SPORT U = JEEP - 4WD (RHD)

BODY
74 = SPORT UTILITY 4-DR
TYPE #4

ENGINE
ERB = 3.0L Mid V6 Engine
EZH = 5.7L V8 HEMI MDS
VVT Engine
EXF = 3.0L V6 Turbo Diesel
Engine

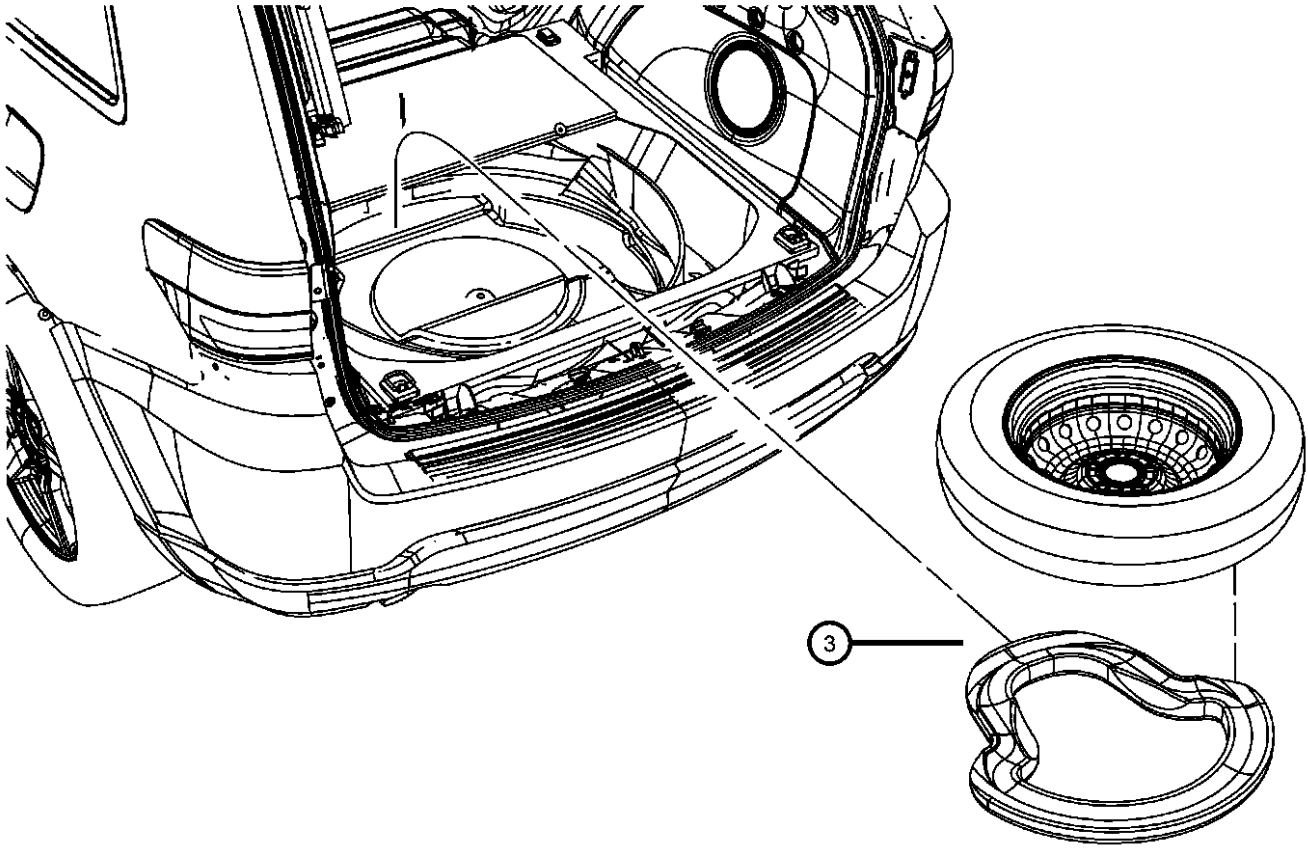
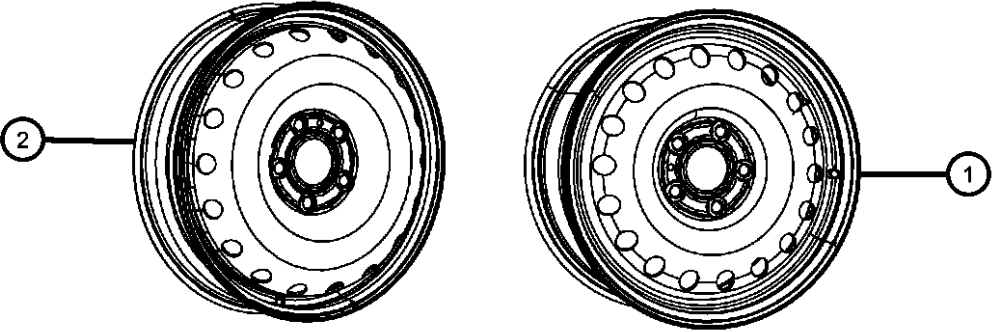
TRANSMISSION
DGQ = 5-Spd Automatic 545RFE
Transmission
DGJ = 5-Speed Auto W5A580
Transmission

AR = use ase required - = Non illustrated part

2011 WK

Spare Wheel Stowage
Figure 22-405

ITEM	PART NUMBER	QTY	LINE	SERIES	BODY	ENGINE	TRANS	TRIM	DESCRIPTION
1	68051987AB	1	J, T, U		74				WHEEL, Steel
2	52124856AA	1	J, T, U		74				WHEEL, Spare
3		1							SPACER, (NOT SERVICED)
-4	68082978AA	1	J, T, U		74				HOLD DOWN, Spare Tire



GRAND CHEROKEE (WK)

SERIES LINE
H = HIGHLINE T = JEEP - 2WD
P = PREMIUM J = JEEP - 4WD
S = SPORT U = JEEP - 4WD (RHD)

BODY
74 = SPORT UTILITY 4-DR
TYPE #4

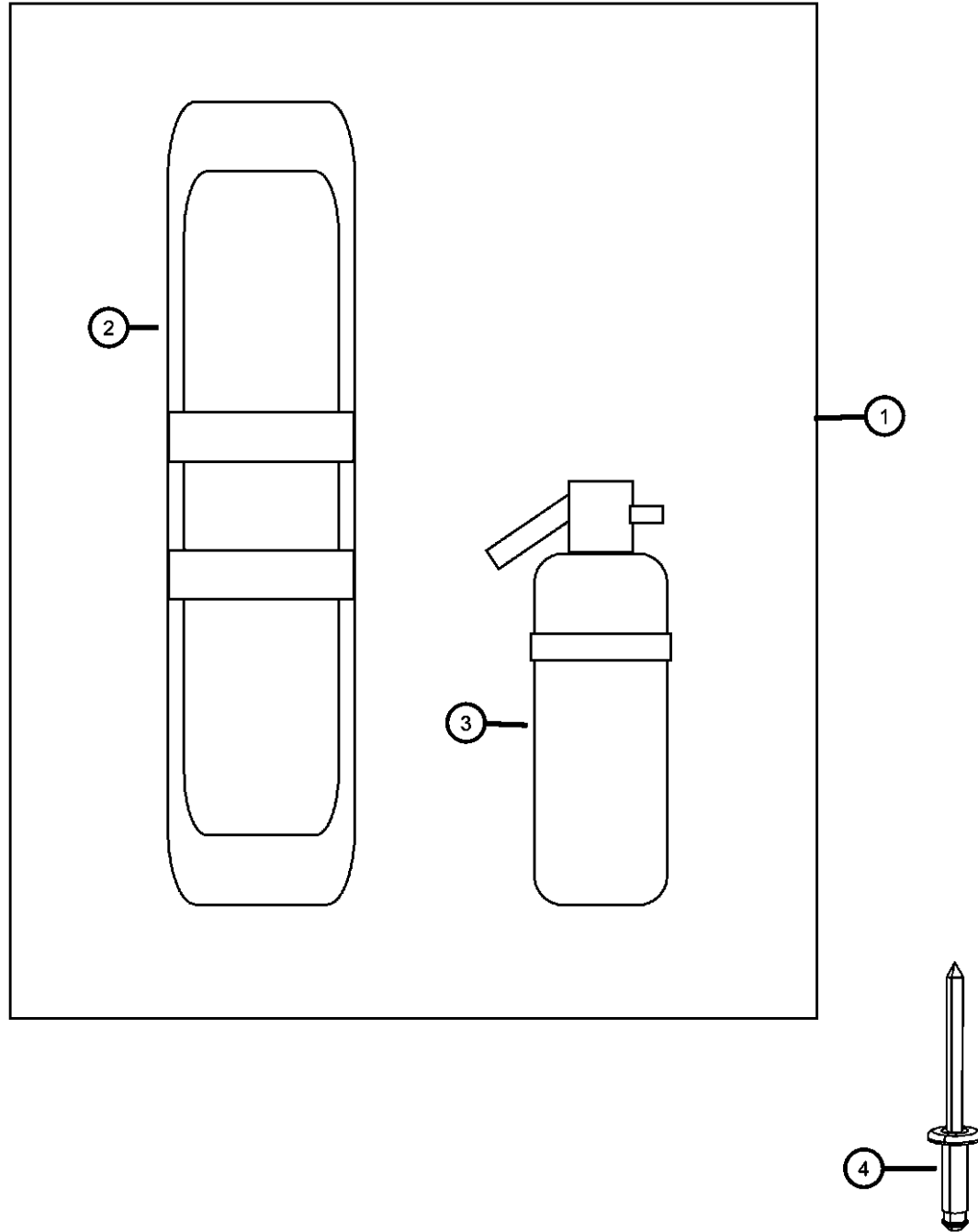
ENGINE
ERB = 3.0L Mid V6 Engine
EZH = 5.7L V8 HEMI MDS
VVT Engine
EXF = 3.0L V6 Turbo Diesel
Engine

TRANSMISSION
DGQ = 5-Spd Automatic 545RFE
Transmission
DGJ = 5-Speed Auto W5A580
Transmission

AR = use ase required - = Non illustrated part

**Emergency Kit
Figure 22-505**

ITEM	PART NUMBER	QTY	LINE	SERIES	BODY	ENGINE	TRANS	TRIM	DESCRIPTION
1	55371011AC	1	J, T, U		74				TOOL SET, Includes: Tool Kit, First Aid Kit, Triangle-Reflective, Label and Fire Extinguisher
2	55352852AA	1	J, T, U		74				TOOL SET, Includes: Pliers, Air Gauge, Adjustable Wrench, Screw Driver and 6 Combination Wrenches
3	55352848AB	1	J, T, U		74				EXTINGUISHER, Fire
4	06035073	4	J, T		74				RIVET, Blind, .190x.670



GRAND CHEROKEE (WK)

SERIES	LINE	BODY	ENGINE	TRANSMISSION
H = HIGHLINE	T = JEEP - 2WD	74 = SPORT UTILITY 4-DR	ERB = 3.0L Mid V6 Engine	DGQ = 5-Speed Automatic 545RFE
P = PREMIUM	J = JEEP - 4WD	TYPE #4	EZH = 5.7L V8 HEMI MDS	Transmission
S = SPORT	U = JEEP - 4WD (RHD)		VVT Engine	DGJ = 5-Speed Auto W5A580
			EXF = 3.0L V6 Turbo Diesel	Transmission
			Engine	

AR = use ase required - = Non illustrated part

2011 WK

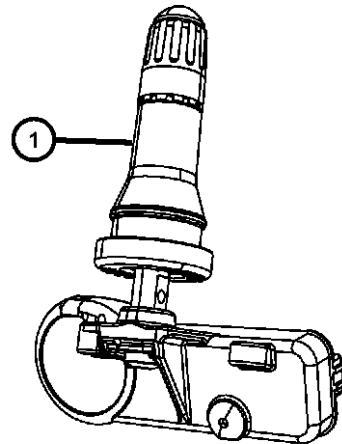
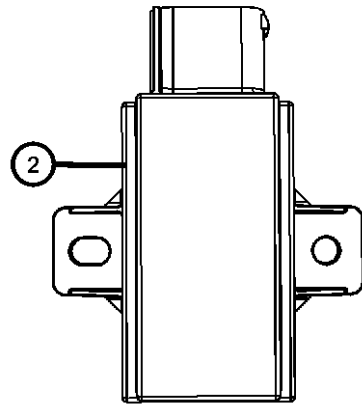
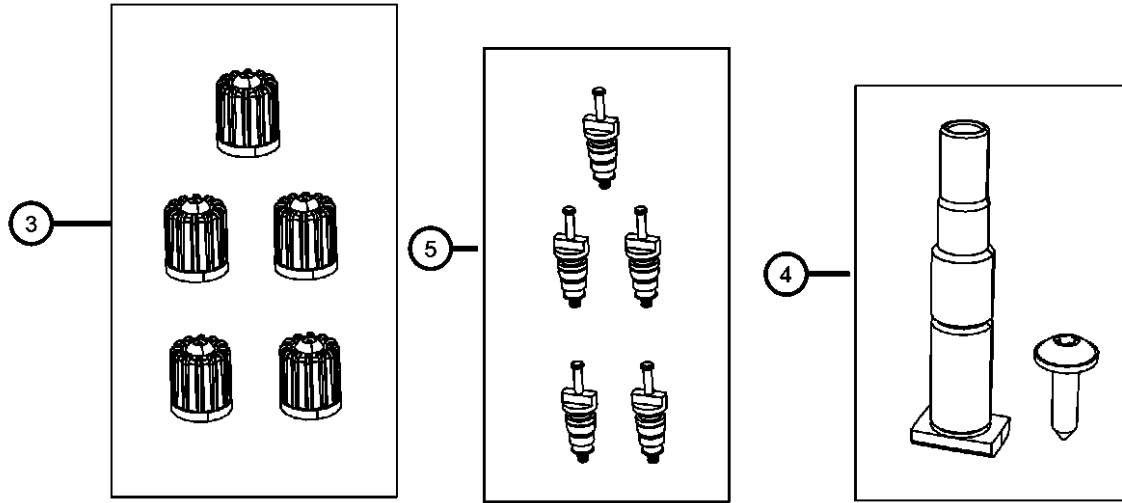
**Tire Monitoring System
Figure 22-605**

ITEM	PART NUMBER	QTY	LINE	SERIES	BODY	ENGINE	TRANS	TRIM	DESCRIPTION
------	-------------	-----	------	--------	------	--------	-------	------	-------------

NOTES: Sales Codes:

- [TBB] = Full Size Spare Tire
- [TBG] = Compact Size Spare Tire
- [WBG] = 17x7.5 Machined-Finish Aluminum Wheel
- [WFK] = 17x7.5 Aluminum Wheel
- [WFS] = 17x7.5 Aluminum Sparkle Silver Wheel
- [WGQ] = 17x7.5 Aluminum Wheel
- [WPP] 18x8.0 Alu

1	56029398AA	4	J, T, U	H, P, S	74				SENSOR, Tire Pressure
2	56029401AG	1	J, T, U		74				MODULE, Low Tire Pressure Warning
3	68058768AA	1	J, T, U	H, P, S	74				CAP KIT, Valve Stem, Black, Includes: 5 Black Caps
4	68058766AA	1	J, T, U	H, P, S	74				HARDWARE KIT, Mounting, Includes: valve stem and mounting screw.
5	68058769AA	1	J, T, U	H, P, S	74				VALVE CORE KIT, Valve Stem, Includes: 5 valve cores.



GRAND CHEROKEE (WK)

SERIES LINE
H = HIGHLINE T = JEEP - 2WD
P = PREMIUM J = JEEP - 4WD
S = SPORT U = JEEP - 4WD (RHD)

BODY
74 = SPORT UTILITY 4-DR
TYPE #4

ENGINE
ERB = 3.0L Mid V6 Engine
EZH = 5.7L V8 HEMI MDS
VVT Engine
EXF = 3.0L V6 Turbo Diesel
Engine

TRANSMISSION
DGQ = 5-Spd Automatic 545RFE
Transmission
DGJ = 5-Speed Auto W5A580
Transmission

AR = use ase required - = Non illustrated part

2011 WK

Group - 24

Air Conditioners and Heaters

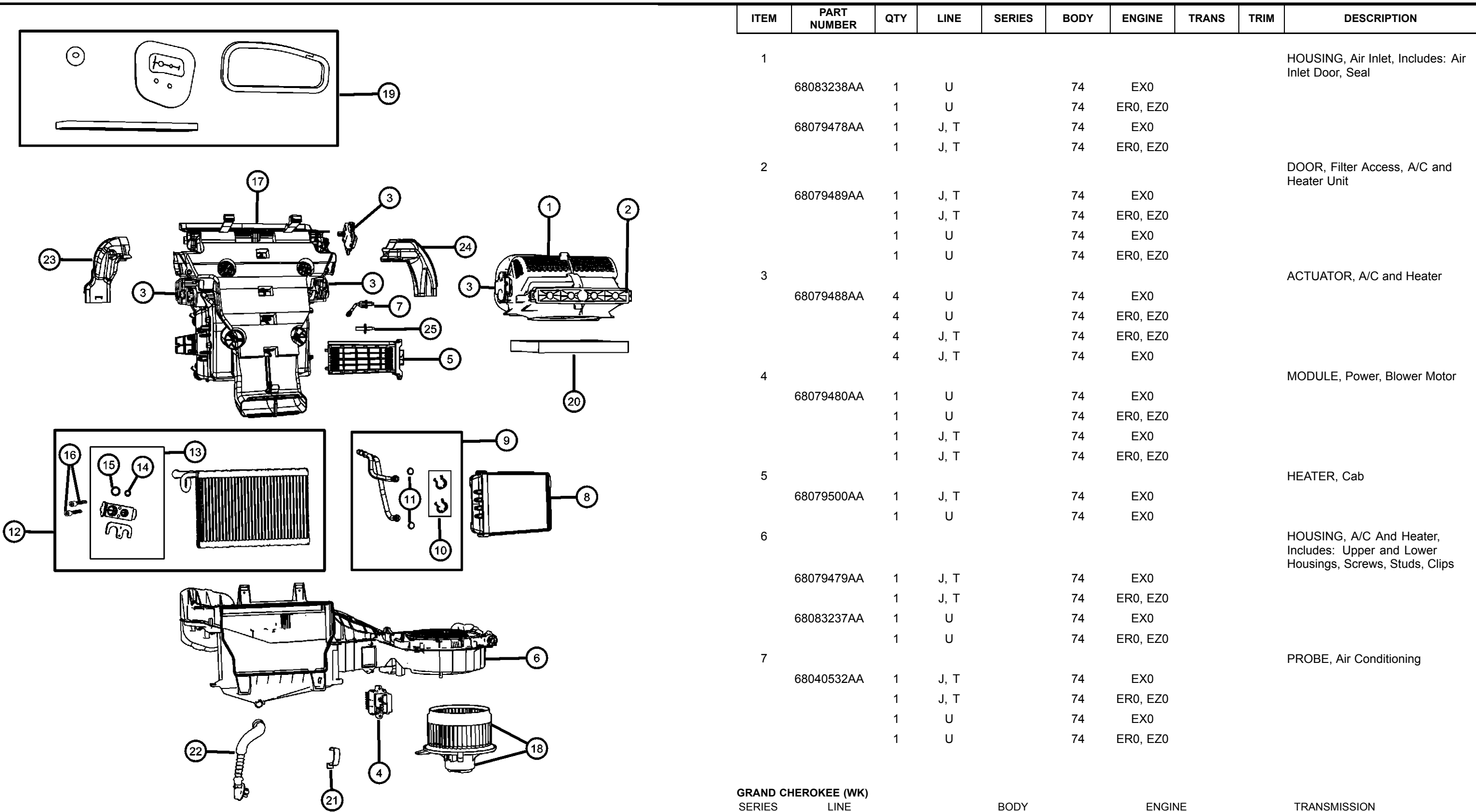
Group - 24 Air Conditioners and Heaters

009 dx

Illustration Title	Group-Fig. No.
Air Conditioner and Heater Units	
A/C and Heater Unit.....	Fig. 24 - 120
Air Conditioner and Heater Plumbing	
Heater Plumbing 3.6L [ERB]	Fig. 24 - 205
Heater Plumbing 5.7L [EZH]	Fig. 24 - 210
Heater Plumbing 3.0L Diesel [EXF].....	Fig. 24 - 215
A/C Plumbing.....	Fig. 24 - 220
Air Conditioner and Heater Controls	
A/C and Heater Controls.....	Fig. 24 - 310
Air Conditioner Compressor and Mounting	
A/C Compressor 3.6L [ERB]	Fig. 24 - 405
A/C Compressor 3.0L Diesel [EXF] 5.7L [EZH].....	Fig. 24 - 415
A/C Compressor Mounting 3.6L [ERB]	Fig. 24 - 450
A/C Compressor Mounting 3.0L Diesel [EXF] 5.7L [EZH].....	Fig. 24 - 455
Air Ducts	
Ducts.....	Fig. 24 - 505

024-100 Air Conditioner and Heater Units	024-200 Air Conditioner and Heater Plumbing	024-300 Air Conditioner and Heater Controls	024-400 Air Conditioner Compressor and Mounting
024-500 Air Ducts			

**A/C and Heater Unit
Figure 24-120**



ITEM	PART NUMBER	QTY	LINE	SERIES	BODY	ENGINE	TRANS	TRIM	DESCRIPTION
1	68083238AA	1	U		74	EX0			HOUSING, Air Inlet, Includes: Air Inlet Door, Seal
		1	U		74	ER0, EZ0			
		1	J, T		74	EX0			
		1	J, T		74	ER0, EZ0			
2	68079489AA	1	J, T		74	EX0			DOOR, Filter Access, A/C and Heater Unit
		1	J, T		74	ER0, EZ0			
		1	U		74	EX0			
		1	U		74	ER0, EZ0			
3	68079488AA	4	U		74	EX0			ACTUATOR, A/C and Heater
		4	U		74	ER0, EZ0			
		4	J, T		74	ER0, EZ0			
		4	J, T		74	EX0			
4	68079480AA	1	U		74	EX0			MODULE, Power, Blower Motor
		1	U		74	ER0, EZ0			
		1	J, T		74	EX0			
		1	J, T		74	ER0, EZ0			
5	68079500AA	1	J, T		74	EX0			HEATER, Cab
		1	U		74	EX0			
6	68079479AA	1	J, T		74	EX0			HOUSING, A/C And Heater, Includes: Upper and Lower Housings, Screws, Studs, Clips
		1	J, T		74	ER0, EZ0			
		1	U		74	EX0			
		1	U		74	ER0, EZ0			
7	68040532AA	1	J, T		74	EX0			PROBE, Air Conditioning
		1	J, T		74	ER0, EZ0			
		1	U		74	EX0			
		1	U		74	ER0, EZ0			

GRAND CHEROKEE (WK)
 SERIES LINE
 H = HIGHLINE T = JEEP - 2WD
 P = PREMIUM J = JEEP - 4WD
 S = SPORT U = JEEP - 4WD (RHD)

BODY
 74 = SPORT UTILITY 4-DR TYPE #4

ENGINE
 ERB = 3.XL Mid V6 Engine
 EZH = 5.7L V8 HEMI MDS VVT Engine
 EXF = 3.0L V6 Turbo Diesel Engine

TRANSMISSION
 DGQ = 5-Spd Automatic 545RFE Transmission
 DGJ = 5-Speed Auto W5A580 Transmission

AR = use ase required - = Non illustrated part

A/C and Heater Unit
Figure 24-120

ITEM	PART NUMBER	QTY	LINE	SERIES	BODY	ENGINE	TRANS	TRIM	DESCRIPTION
8	68079484AA	1	J, T		74	EX0			CORE, Heater, Includes: Screws, O-Rings, Seals
		1	J, T		74	ER0, EZ0			
		1	U		74	EX0			
		1	U		74	ER0, EZ0			
9	68083240AA	1	U		74	EX0			TUBE, Heater Core, Includes: Clamps, Screws, O-Rings
		1	U		74	ER0, EZ0			
		1	J, T		74	EX0			
		1	J, T		74	ER0, EZ0			
10	68031980AA	1	J, T		74	EX0			CLAMP KIT, Heater Core Tubes
		1	J, T		74	ER0, EZ0			
		1	U		74	ER0, EZ0			
		1	U		74	EX0			
11	05061484AA	2	U		74	ER0, EZ0			O RING, Heater Core Tubes
		2	J, T		74	EX0			
		2	J, T		74	ER0, EZ0			
		2	U		74	EX0			
12	68083239AA	1	U		74	EX0			EVAPORATOR, Air Conditioning, Includes: Valve, O-Rings, Plate, Screws
		1	U		74	ER0, EZ0			
		1	J, T		74	EX0			
		1	J, T		74	EZ0, ER0			
13	68079483AA	1	U		74	EX0			VALVE, A/C Expansion, Includes: O-Rings, Plate
		1	U		74	ER0, EZ0			
		1	J, T		74	EX0			
		1	J, T		74	ER0, EZ0			
14		1							O RING, Expansion Valve
		1							

GRAND CHEROKEE (WK)
 SERIES LINE BODY ENGINE TRANSMISSION
 H = HIGHLINE T = JEEP - 2WD 74 = SPORT UTILITY 4-DR ERB = 3.XL Mid V6 Engine DGQ = 5-Spd Automatic 545RFE
 P = PREMIUM J = JEEP - 4WD TYPE #4 EZH = 5.7L V8 HEMI MDS Transmission
 S = SPORT U = JEEP - 4WD (RHD) EXF = 3.0L V6 Turbo Diesel DGJ = 5-Speed Auto W5A580
 Engine Transmission

AR = use ase required - = Non illustrated part

A/C and Heater Unit
Figure 24-120

ITEM	PART NUMBER	QTY	LINE	SERIES	BODY	ENGINE	TRANS	TRIM	DESCRIPTION
	04885803AA	1	U		74	EX0			Liquid
		1	U		74	ER0, EZ0			Liquid
		1	J, T		74	EX0			Liquid
		1	J, T		74	ER0, EZ0			Liquid
15									O RING, Expansion Valve
	68079482AA	1	J, T		74	ER0, EZ0			Suction
		1	J, T		74	EX0			Suction
		1	U		74	EX0			Suction
		1	U		74	ER0, EZ0			Suction
16									SCREW, Expansion Valve Mounting
	68055828AA	2	J, T		74	ER0, EZ0			
		2	U		74	EX0			
		2	U		74	ER0, EZ0			
		2	J, T		74	EX0			
17									HOUSING, Distribution, Includes: Doors, Levers, Links, Adapters, Actuators, Insulating Pad, Seals
	68079495AA	1	J, T		74	EX0			
	68079501AA	1	J, T		74	ER0, EZ0			
	68083243AA	1	U		74	ER0, EZ0			
	68083235AA	1	U		74	EX0			
18									MOTOR, Blower with Wheel
	68079477AA	1	J, T		74	EX0			
		1	J, T		74	ER0, EZ0			
	68083231AA	1	U		74	ER0, EZ0			
		1	U		74	EX0			
19									SEAL KIT, A/C And Heater Unit, Includes: All Seals
	68079486AA	1	J, T		74	EX0			
		1	J, T		74	ER0, EZ0			
		1	U		74	EX0			
		1	U		74	ER0, EZ0			
20									FILTER, Cabin Air
	68079487AA	1	U		74	EX0			
		1	U		74	ER0, EZ0			

GRAND CHEROKEE (WK)

SERIES LINE
H = HIGHLINE T = JEEP - 2WD
P = PREMIUM J = JEEP - 4WD
S = SPORT U = JEEP - 4WD (RHD)

BODY
74 = SPORT UTILITY 4-DR
TYPE #4

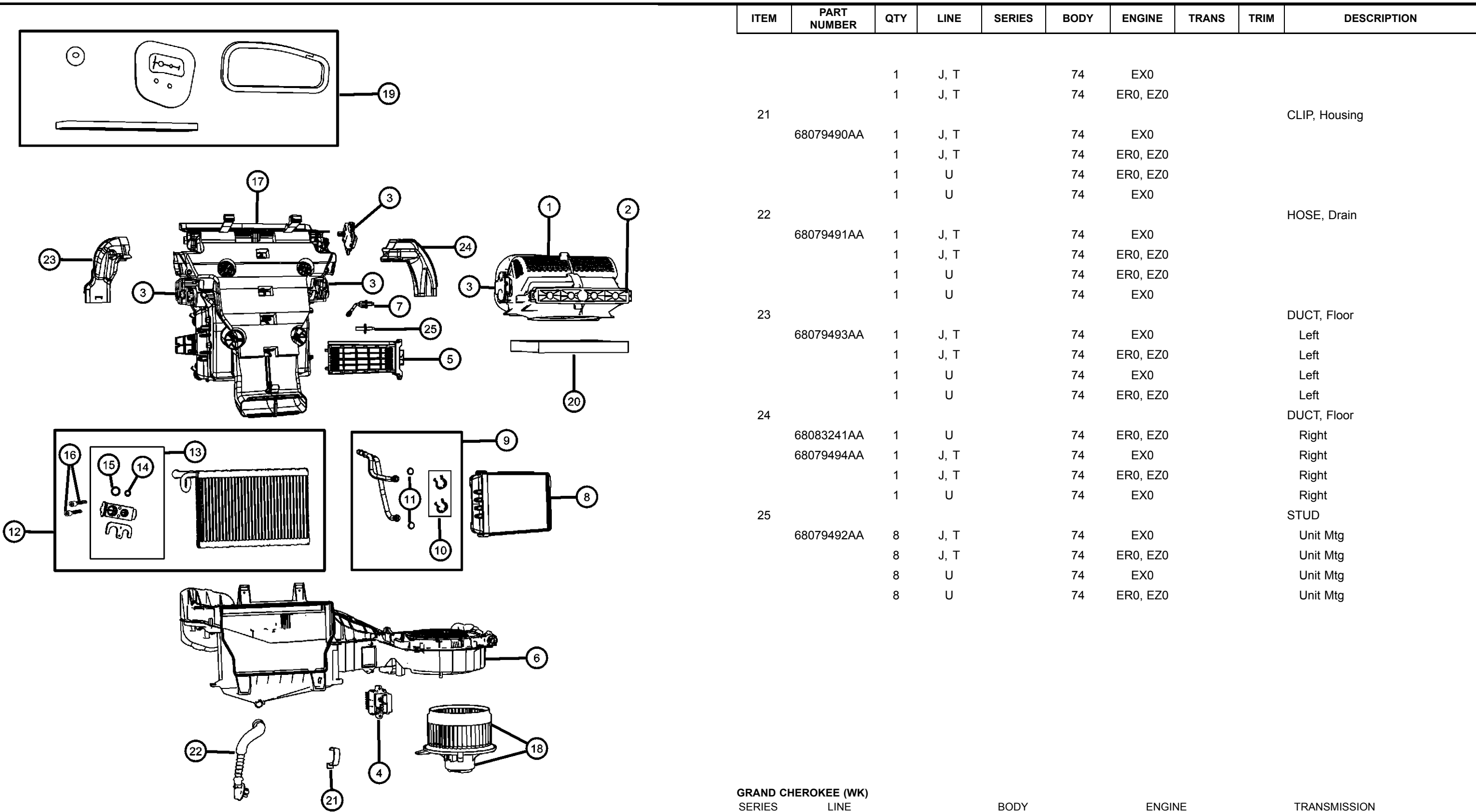
ENGINE
ERB = 3.XL Mid V6 Engine
EZH = 5.7L V8 HEMI MDS
VVT Engine
EXF = 3.0L V6 Turbo Diesel
Engine

TRANSMISSION
DGQ = 5-Spd Automatic 545RFE
Transmission
DGJ = 5-Speed Auto W5A580
Transmission

AR = use ase required - = Non illustrated part

2011 WK

A/C and Heater Unit
Figure 24-120



ITEM	PART NUMBER	QTY	LINE	SERIES	BODY	ENGINE	TRANS	TRIM	DESCRIPTION
21	68079490AA	1	J, T		74	EX0			CLIP, Housing
		1	J, T		74	ER0, EZ0			
		1	J, T		74	EX0			
		1	J, T		74	ER0, EZ0			
22	68079491AA	1	U		74	ER0, EZ0			HOSE, Drain
		1	U		74	EX0			
		1	J, T		74	EX0			
		1	J, T		74	ER0, EZ0			
23	68079493AA	1	U		74	ER0, EZ0			DUCT, Floor Left
		1	U		74	EX0			
		1	J, T		74	ER0, EZ0			
		1	J, T		74	EX0			
24	68079494AA	1	U		74	ER0, EZ0			DUCT, Floor Left
		1	U		74	EX0			
		1	J, T		74	ER0, EZ0			
		1	J, T		74	EX0			
25	68079492AA	1	U		74	ER0, EZ0			STUD Right
		1	U		74	EX0			
		1	J, T		74	ER0, EZ0			
		1	J, T		74	EX0			
		8	J, T		74	EX0			Unit Mtg
		8	J, T		74	ER0, EZ0			
		8	U		74	EX0			
		8	U		74	ER0, EZ0			

GRAND CHEROKEE (WK)
 SERIES LINE
 H = HIGHLINE T = JEEP - 2WD
 P = PREMIUM J = JEEP - 4WD
 S = SPORT U = JEEP - 4WD (RHD)

BODY
 74 = SPORT UTILITY 4-DR
 TYPE #4

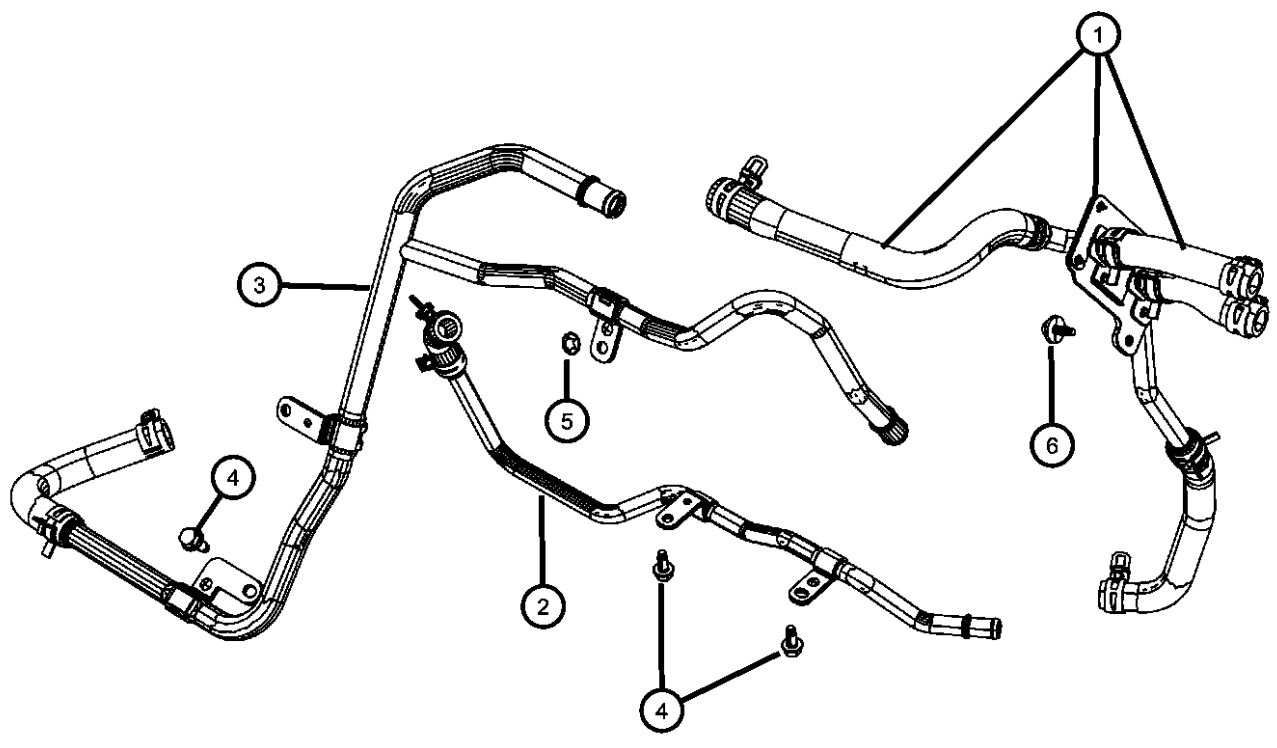
ENGINE
 ERB = 3.0L V6 Engine
 EZH = 5.7L V8 HEMI MDS
 VVT Engine
 EXF = 3.0L V6 Turbo Diesel
 Engine

TRANSMISSION
 DGQ = 5-Spd Automatic 545RFE
 Transmission
 DGJ = 5-Speed Auto W5A580
 Transmission

AR = use ase required - = Non illustrated part

**Heater Plumbing 3.6L [ERB]
Figure 24-205**

ITEM	PART NUMBER	QTY	LINE	SERIES	BODY	ENGINE	TRANS	TRIM	DESCRIPTION
1	55038030AF	1	J, T		74	ER0			HOSE, Heater Supply and Return
	55038035AF	1	U		74	ER0			
2	68058250AD	1	J, T, U		74	ER0			HOSE AND TUBE, HEATER SUPPLY
3	68058252AD	1	J, T, U		74	ER0			HOSE AND TUBE, Heater Return
4	06105048AA	1	J, T, U		74	ER0			BOLT, Hex Flange Head, M8x1.25x20.00
5	06100841	1	J, T, U		74	ER0			PUSH NUT, M8
6	06509313AA	1	J, T		74	ER0, EZ0			SCREW AND WASHER, Hex Head, M6x1.00x19.00



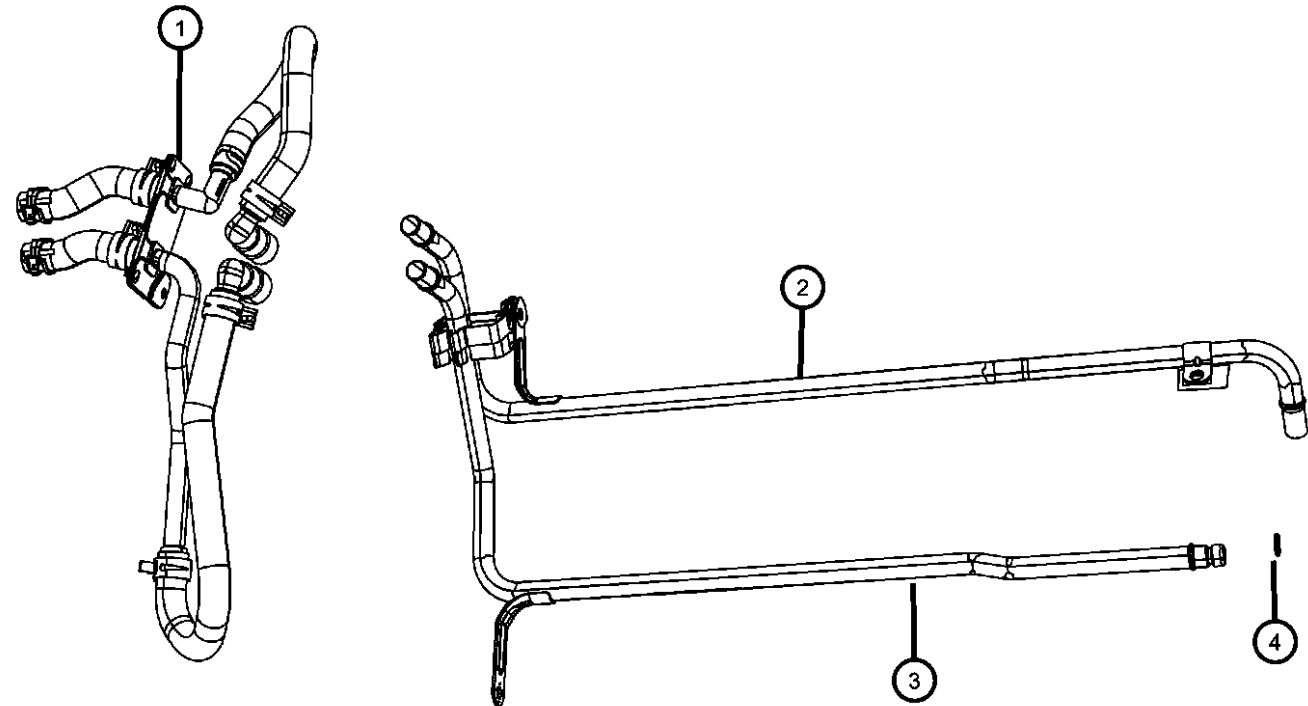
GRAND CHEROKEE (WK)

SERIES	LINE	BODY	ENGINE	TRANSMISSION
H = HIGHLINE	T = JEEP - 2WD	74 = SPORT UTILITY 4-DR	ERB = 3.0L Mid V6 Engine	DGQ = 5-Spd Automatic 545RFE
P = PREMIUM	J = JEEP - 4WD	TYPE #4	EZH = 5.7L V8 HEMI MDS	Transmission
S = SPORT	U = JEEP - 4WD (RHD)		VVT Engine	DGJ = 5-Speed Auto W5A580
			EXF = 3.0L V6 Turbo Diesel	Transmission
			Engine	

AR = use ase required - = Non illustrated part

**Heater Plumbing 5.7L [EZH]
Figure 24-210**

ITEM	PART NUMBER	QTY	LINE	SERIES	BODY	ENGINE	TRANS	TRIM	DESCRIPTION
1									HOSE AND TUBE, Heater Supply And Return
	55038032AE	1	J, T		74	EZ0			
	55038037AC	1	U		74	EZ0			
2	53034238AB	1	J, T, U		74	EZH			TUBE, Coolant outlet
3	53034237AB	1	J, T, U		74	EZH			TUBE, Coolant inlet
4	53013736AA	2	J, T, U		74	EZH			O RING, Heater Line



GRAND CHEROKEE (WK)

SERIES LINE
H = HIGHLINE T = JEEP - 2WD
P = PREMIUM J = JEEP - 4WD
S = SPORT U = JEEP - 4WD (RHD)

BODY
74 = SPORT UTILITY 4-DR
TYPE #4

ENGINE
ERB = 3.XL Mid V6 Engine
EZH = 5.7L V8 HEMI MDS
VVT Engine
EXF = 3.0L V6 Turbo Diesel
Engine

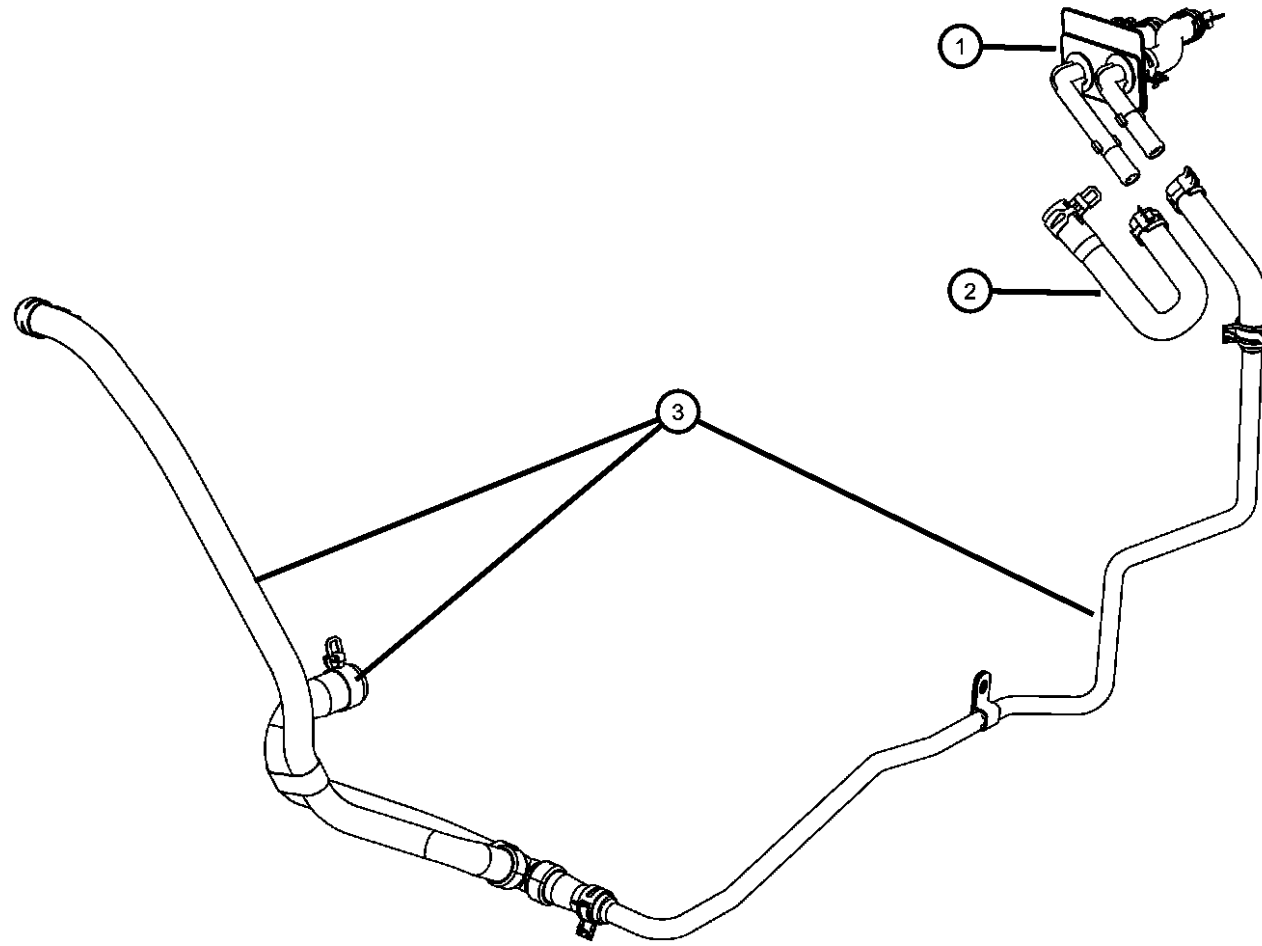
TRANSMISSION
DGQ = 5-Spd Automatic 545RFE
Transmission
DGJ = 5-Speed Auto W5A580
Transmission

AR = use ase required - = Non illustrated part

2011 WK

**Heater Plumbing 3.0L Diesel [EXF]
Figure 24-215**

ITEM	PART NUMBER	QTY	LINE	SERIES	BODY	ENGINE	TRANS	TRIM	DESCRIPTION
1									HOSE AND TUBE, Heater Supply And Return
	55038033AB	1	J, T		74	EX0			
	55038038AB	1	U		74	EX0			[RHD]
2	68058253AA	1	J, T, U		74	EX0			HOSE, Heater Supply
3	68058254AB	1	J, T, U		74	EX0			HOSE AND TUBE, Heater Return



GRAND CHEROKEE (WK)

SERIES LINE
H = HIGHLINE T = JEEP - 2WD
P = PREMIUM J = JEEP - 4WD
S = SPORT U = JEEP - 4WD (RHD)

BODY
74 = SPORT UTILITY 4-DR
TYPE #4

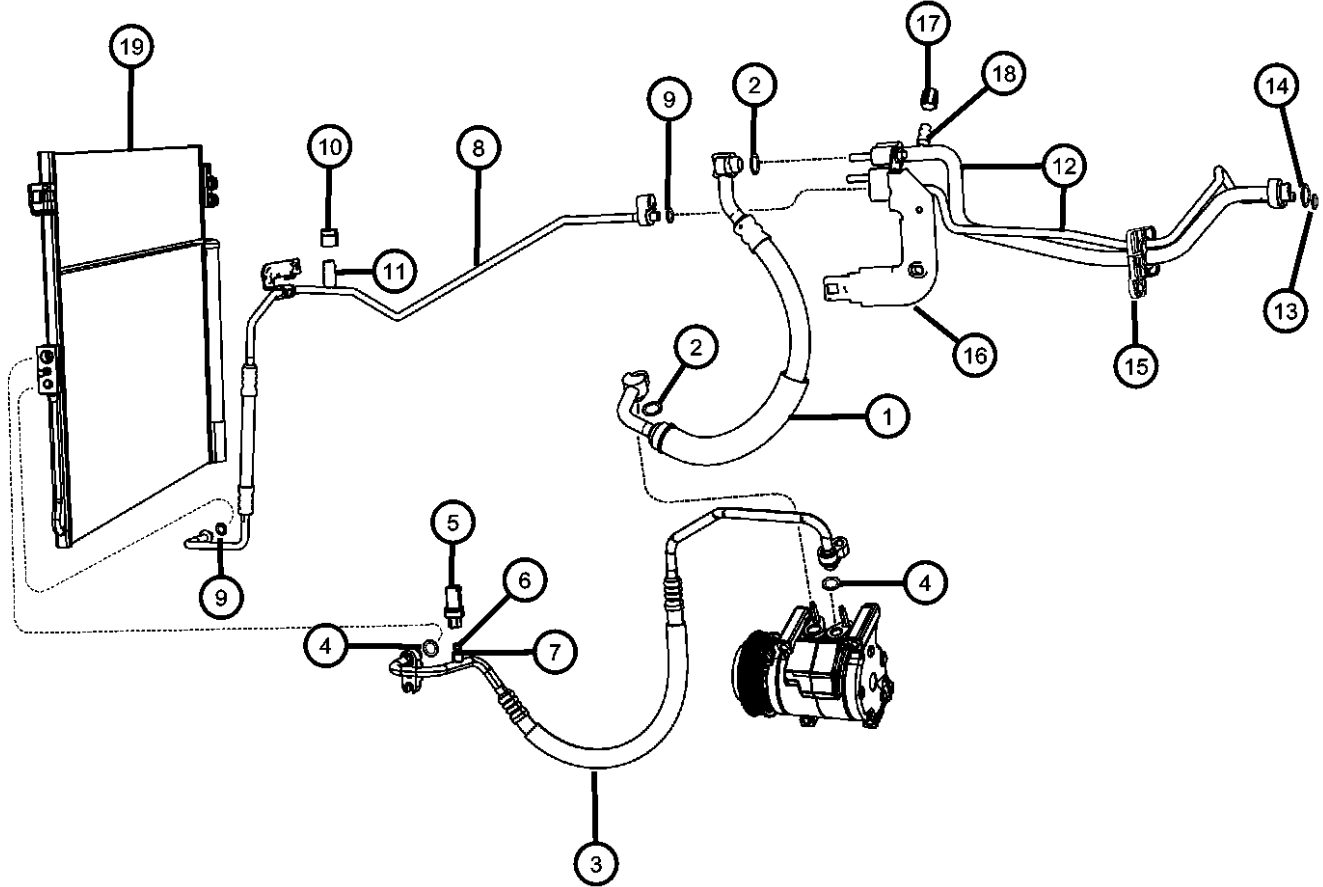
ENGINE
ERB = 3.0L Mid V6 Engine
EZH = 5.7L V8 HEMI MDS
VVT Engine
EXF = 3.0L V6 Turbo Diesel
Engine

TRANSMISSION
DGQ = 5-Spd Automatic 545RFE
Transmission
DGJ = 5-Speed Auto W5A580
Transmission

AR = use ase required - = Non illustrated part

2011 WK

A/C Plumbing
Figure 24-220



ITEM	PART NUMBER	QTY	LINE	SERIES	BODY	ENGINE	TRANS	TRIM	DESCRIPTION
1	55038016AD	1	J, T, U		74	ER0			LINE, A/C Suction, Includes: Seals
	55038019AC	1	J, T, U		74	EX0			
	55038050AD	1	J, T, U		74	EZ0			
2	68086127AA	2	J, T, U		74	ER0			SEAL, A/C Line
		2	J, T, U		74	EZ0			
		2	J, T, U		74	EX0			
3	55038018AC	1	J, T, U		74	ER0			LINE, A/C Discharge, Includes: Seals, Transducer, O-Ring, Valve Core
	55038056AC	1	J, T, U		74	EZ0			
	55038080AC	1	J, T, U		74	EX0			
4	68086126AA	2	J, T, U		74	ER0			SEAL, A/C Line
		2	J, T, U		74	EX0			
		2	J, T, U		74	EZ0			
5	05174039AB	1	J, T, U		74	ER0			VALVE, A/C pressure Transducer, Includes: O-Ring
		1	J, T, U		74	EZ0			
		1	J, T, U		74	EX0			
6	05183358AA	1	J, T, U		74	EZ0			O RING, A/C Line
		1	J, T, U		74	EX0			
		1	J, T, U		74	ER0			
7	68086137AA	1	J, T, U		74	ER0			VALVE CORE, A/C Line
		1	J, T, U		74	EX0			
		1	J, T, U		74	EZ0			
8	55038059AF	1	J, T, U		74	ER0, EZ0			LINE, A/C Liquid, Includes: Seals, Cap, Valve Core
	55038184AE	1	J, T, U		74	EX0			
9	68086125AA	2	J, T, U		74	EX0			SEAL, A/C Line

GRAND CHEROKEE (WK)

SERIES LINE
H = HIGHLINE T = JEEP - 2WD
P = PREMIUM J = JEEP - 4WD
S = SPORT U = JEEP - 4WD (RHD)

BODY
74 = SPORT UTILITY 4-DR
TYPE #4

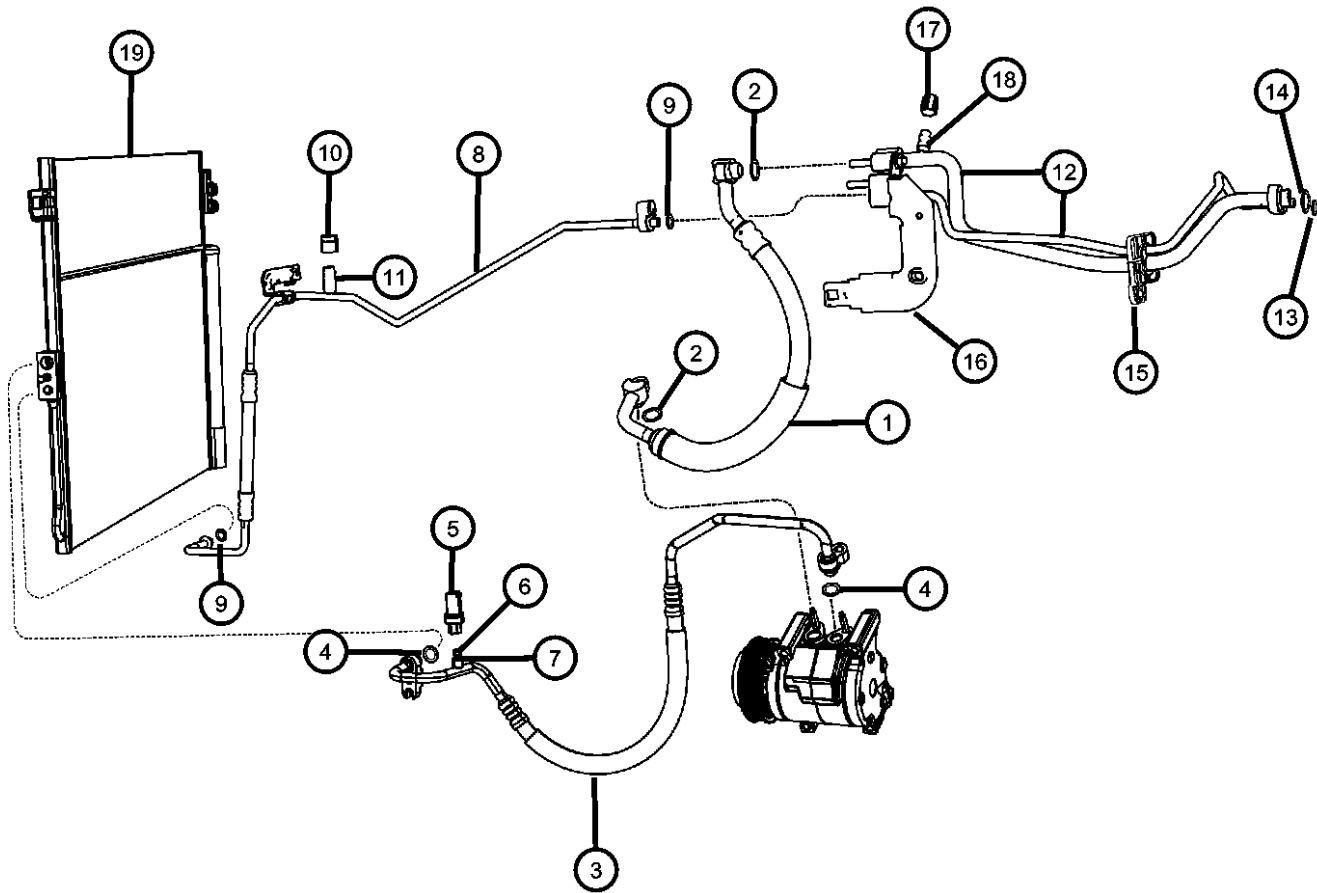
ENGINE
ERB = 3.0L Mid V6 Engine
EZH = 5.7L V8 HEMI MDS
VVT Engine
EXF = 3.0L V6 Turbo Diesel
Engine

TRANSMISSION
DGQ = 5-Spd Automatic 545RFE
Transmission
DGJ = 5-Speed Auto W5A580
Transmission

AR = use ase required - = Non illustrated part

2011 WK

A/C Plumbing
Figure 24-220



ITEM	PART NUMBER	QTY	LINE	SERIES	BODY	ENGINE	TRANS	TRIM	DESCRIPTION
10		2	J, T, U		74	ER0, EZ0			CAP, A/C Charge Valve
	68086128AA	1	J, T, U		74	EX0			
		1	J, T, U		74	ER0, EZ0			
11		1	J, T, U		74	EX0			VALVE CORE, Service Port
	68086130AA	1	J, T, U		74	ER0, EZ0			
12		1	J, T		74				LINE, A/C Suction And Liquid, Includes: Seals, Brackets, Cap, Valve Core
	55038201AD	1	J, T		74				
	55038204AD	1	U		74				[RHD]
13		1	U		74				SEAL, A/C Line [RHD]
	68086125AA	1	J, T		74				
14		1	J, T		74				SEAL, A/C Line
	68086127AA	1	U		74				[RHD]
15		1	J, T		74				BRACKET, A/C Line Plastic
	68086131AA	1	U		74				Plastic [RHD]
16		1	J, T		74				BRACKET, A/C Line Aluminum [RHD]
	68086132AA	1	U		74				Aluminum
17		1	U		74				CAP, A/C Charge Valve [RHD]
	68086135AA	1	J, T		74				
18		1	J, T		74				VALVE CORE, Service Port
	68086134AA	1	U		74				[RHD]
19		1	J, T, U		74	EZ0			COOLER, Condenser and Trans Cooler, Includes: Reciever Drier
	55038003AE	1	J, T, U		74	EX0			
		1	J, T, U		74	ER0			

GRAND CHEROKEE (WK)

SERIES LINE
H = HIGHLINE T = JEEP - 2WD
P = PREMIUM J = JEEP - 4WD
S = SPORT U = JEEP - 4WD (RHD)

BODY
74 = SPORT UTILITY 4-DR TYPE #4

ENGINE
ERB = 3.0L Mid V6 Engine
EZH = 5.7L V8 HEMI MDS VVT Engine
EXF = 3.0L V6 Turbo Diesel Engine

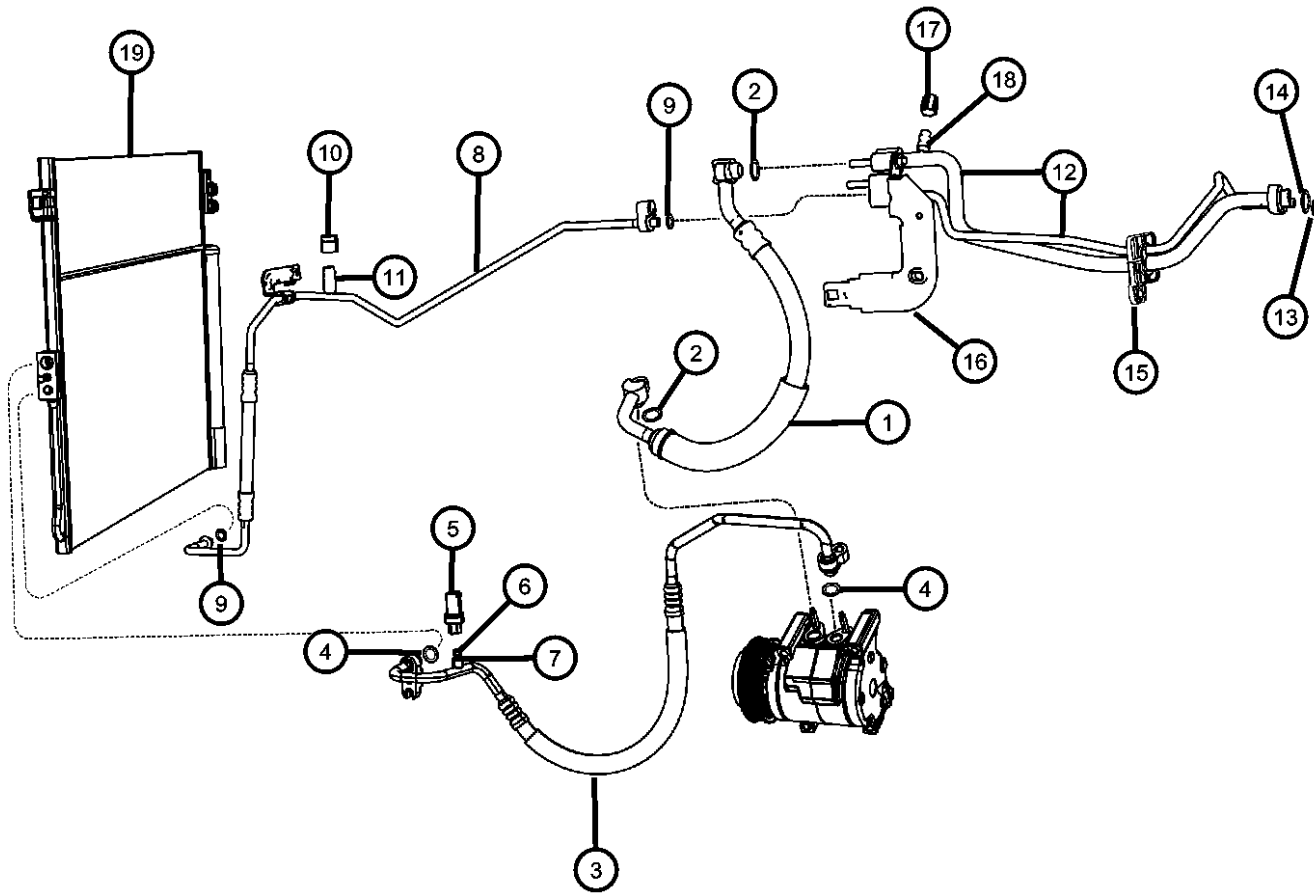
TRANSMISSION
DGQ = 5-Spd Automatic 545RFE Transmission
DGJ = 5-Speed Auto W5A580 Transmission

AR = use ase required - = Non illustrated part

2011 WK

A/C Plumbing
Figure 24-220

ITEM	PART NUMBER	QTY	LINE	SERIES	BODY	ENGINE	TRANS	TRIM	DESCRIPTION
-20									FILTER, Receiver Drier
	68084180AA	1	J, T, U		74	EX0			
		1	J, T, U		74	EZ0			
		1	J, T, U		74	ER0			



GRAND CHEROKEE (WK)

SERIES LINE
H = HIGHLINE T = JEEP - 2WD
P = PREMIUM J = JEEP - 4WD
S = SPORT U = JEEP - 4WD (RHD)

BODY
74 = SPORT UTILITY 4-DR
TYPE #4

ENGINE
ERB = 3.0L Mid V6 Engine
EZH = 5.7L V8 HEMI MDS
VVT Engine
EXF = 3.0L V6 Turbo Diesel
Engine

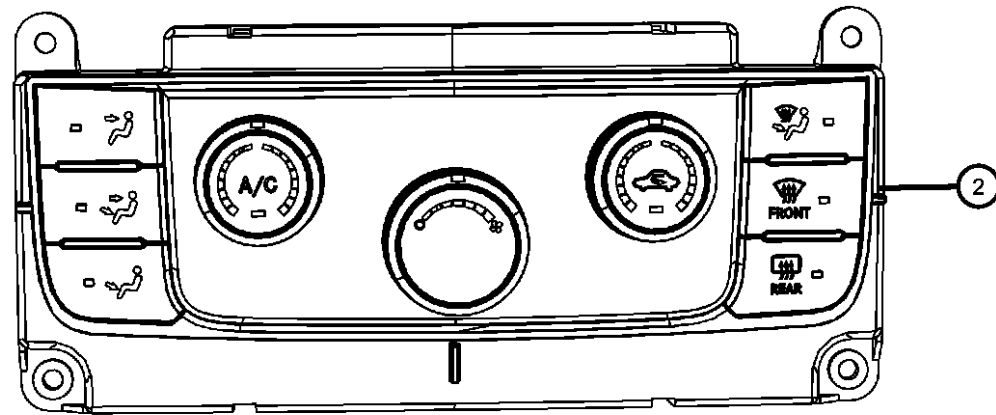
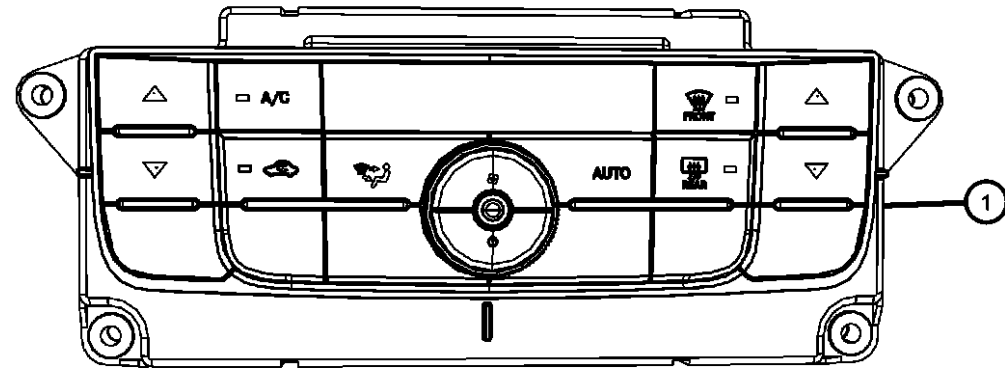
TRANSMISSION
DGQ = 5-Spd Automatic 545RFE
Transmission
DGJ = 5-Speed Auto W5A580
Transmission

AR = use ase required - = Non illustrated part

2011 WK

A/C and Heater Controls
Figure 24-310

ITEM	PART NUMBER	QTY	LINE	SERIES	BODY	ENGINE	TRANS	TRIM	DESCRIPTION
1	55111916AC	1	J, T, U		74				CONTROL, A/C And Heater With [HAF]
	55111922AC	1	J, T, U		74				With [HAF] , [JPM]
	55111924AC	1	J, T, U		74				With [HAF] , [JPM] , [CAJ]
	55111927AC	1	J, T, U		74				With [HAF] , Export , Canada and Mexico
2	55111833AB	1	J, T, U		74				CONTROL, A/C And Heater, [HAD]



GRAND CHEROKEE (WK)

SERIES LINE
H = HIGHLINE T = JEEP - 2WD
P = PREMIUM J = JEEP - 4WD
S = SPORT U = JEEP - 4WD (RHD)

BODY
74 = SPORT UTILITY 4-DR
TYPE #4

ENGINE
ERB = 3.0L Mid V6 Engine
EZH = 5.7L V8 HEMI MDS
VVT Engine
EXF = 3.0L V6 Turbo Diesel
Engine

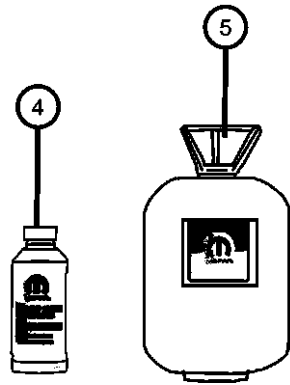
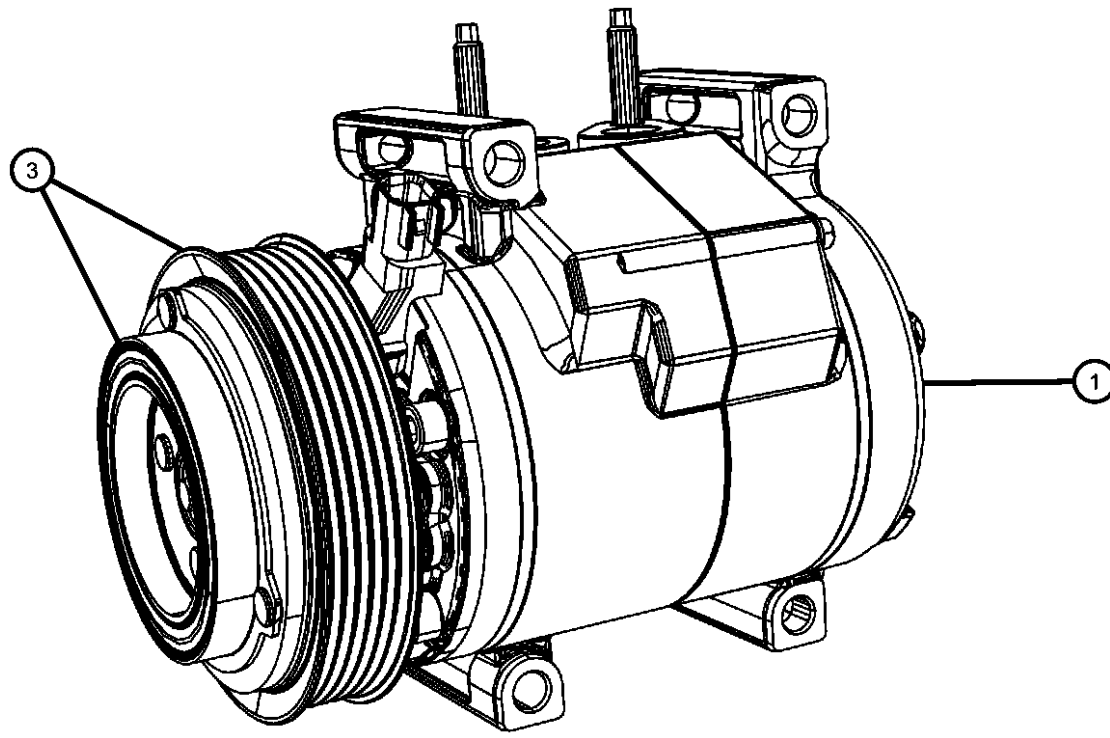
TRANSMISSION
DGQ = 5-Spd Automatic 545RFE
Transmission
DGJ = 5-Speed Auto W5A580
Transmission

AR = use ase required - = Non illustrated part

2011 WK

**A/C Compressor 3.6L [ERB]
Figure 24-405**

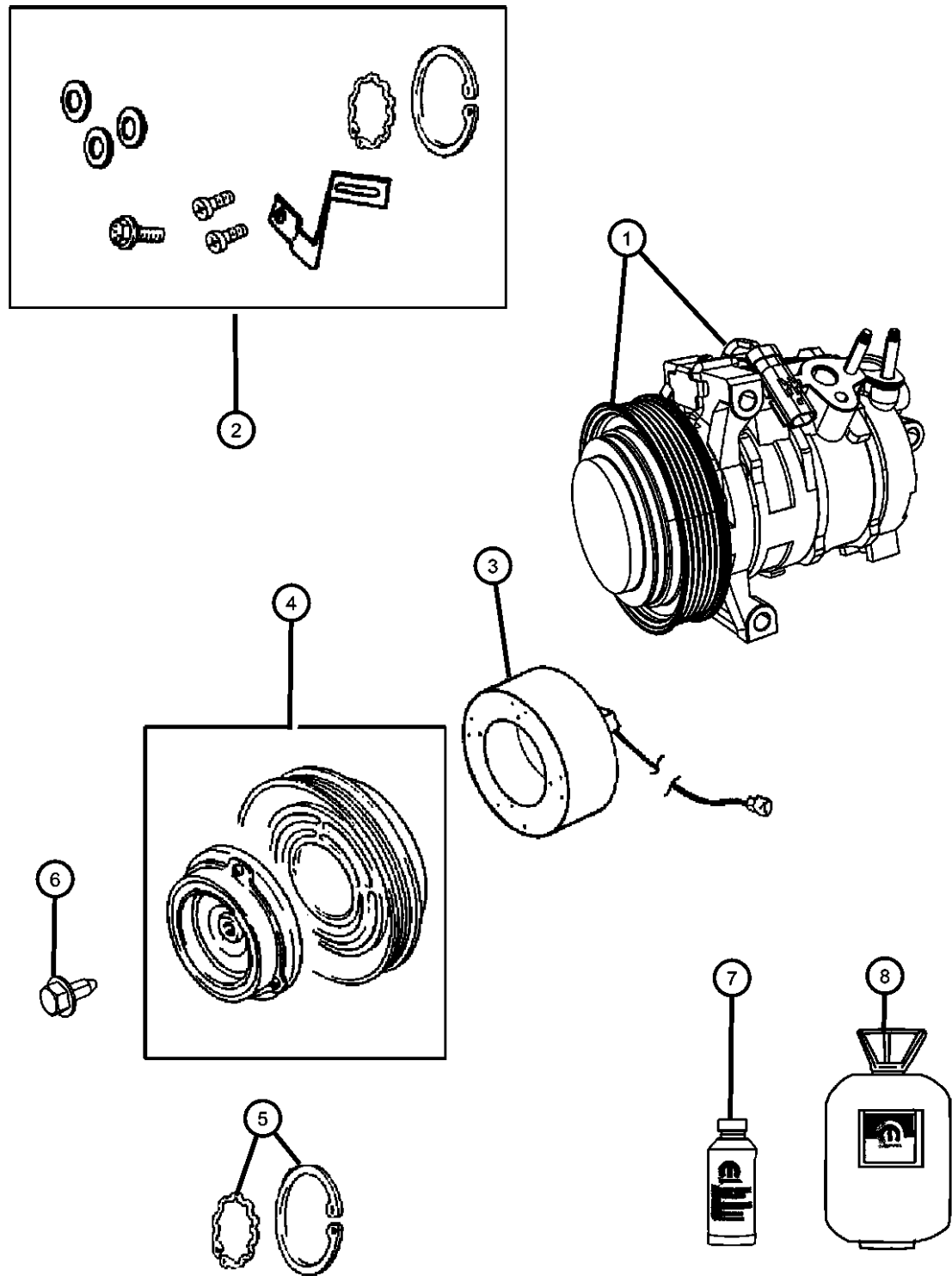
ITEM	PART NUMBER	QTY	LINE	SERIES	BODY	ENGINE	TRANS	TRIM	DESCRIPTION
1	68021637AC	1	J, T, U		74	ER0			COMPRESSOR, Air Conditioning
-2	68058043AB	1	J, T, U		74	ER0			COIL, Air Conditioning Clutch
3	68084274AA	1	J, T, U		74	ER0			PULLEY HUB KIT, A/C Compressor
4	82300102	1	J, T, U		74	EZ0			LUBRICANT, A/C Compressor, 250ml, Standard MS-9176
5	82300101AB	22	J, T		74				REFRIGERANT, R134A, 1 Pound, Standard MS-9175



GRAND CHEROKEE (WK)				
SERIES	LINE	BODY	ENGINE	TRANSMISSION
H = HIGHLINE	T = JEEP - 2WD	74 = SPORT UTILITY 4-DR	ERB = 3.6L Mid V6 Engine	DGQ = 5-Spd Automatic 545RFE
P = PREMIUM	J = JEEP - 4WD	TYPE #4	EZH = 5.7L V8 HEMI MDS	Transmission
S = SPORT	U = JEEP - 4WD (RHD)		VVT Engine	DGJ = 5-Speed Auto W5A580
			EXF = 3.0L V6 Turbo Diesel	Transmission
			Engine	

AR = use ase required - = Non illustrated part

**A/C Compressor 3.0L Diesel [EXF] 5.7L [EZH]
Figure 24-415**



ITEM	PART NUMBER	QTY	LINE	SERIES	BODY	ENGINE	TRANS	TRIM	DESCRIPTION
1									COMPRESSOR, Air Conditioning, Complete
	68021835AD	1	J, T, U		74	EX0			
	68028917AB	1	J, T, U		74	EZ0			
2									CLUTCH OVERHAUL KIT, A/C Compressor, Includes: Snap Rings, Washers, Screws, Pulley Bolt
	68068755AA	1	J, T, U		74	EZ0			
		1	J, T, U		74	EX0			
3									COIL, Air Conditioning Clutch
	05140461AA	1	J, T, U		74	EZ0			
		1	J, T, U		74	EX0			
4									PULLEY HUB KIT, A/C Compressor
	68084834AA	1	J, T, U		74	EZ0			
	68091788AA	1	J, T, U		74	EX0			
5									SNAP RING KIT, A/C Clutch, Includes: Stator and Rotor Snap Rings
	05264454	1	J, T, U		74	EZ0			
		1	J, T, U		74	EX0			
6	68025879AA	1	J, T, U		74	EX0			BOLT, Pulley
7									LUBRICANT, A/C Compressor, 250ml, Standard MS-9176
	82300102	1	J, T, U		74	EZ0			
		1	J, T, U		74	EX0			
8	82300101AB	1	J, T		74				REFRIGERANT, R134A, 1 Pound, Standard MS-9175

GRAND CHEROKEE (WK)

SERIES LINE
H = HIGHLINE T = JEEP - 2WD
P = PREMIUM J = JEEP - 4WD
S = SPORT U = JEEP - 4WD (RHD)

BODY
74 = SPORT UTILITY 4-DR TYPE #4

ENGINE
ERB = 3.0L Mid V6 Engine
EZH = 5.7L V8 HEMI MDS VVT Engine
EXF = 3.0L V6 Turbo Diesel Engine

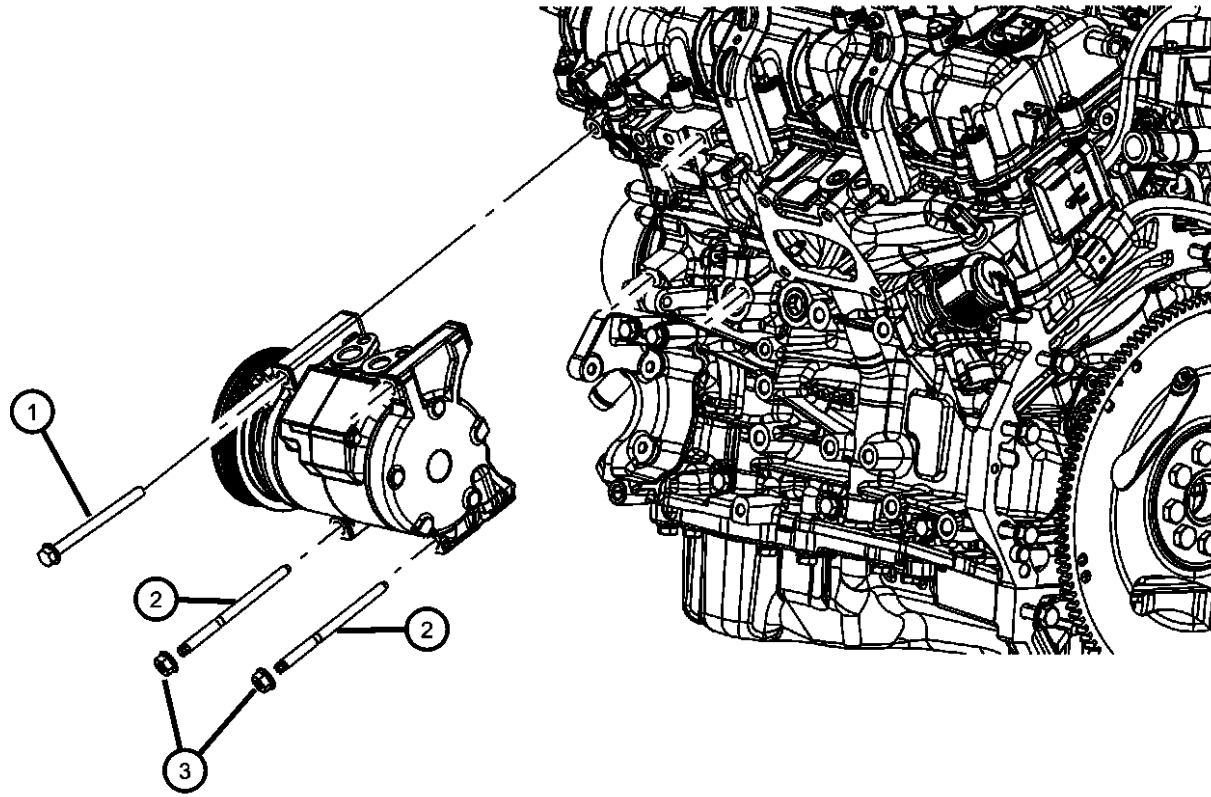
TRANSMISSION
DGQ = 5-Spd Automatic 545RFE Transmission
DGJ = 5-Speed Auto W5A580 Transmission

AR = use ase required - = Non illustrated part

2011 WK

**A/C Compressor Mounting 3.6L [ERB]
Figure 24-450**

ITEM	PART NUMBER	QTY	LINE	SERIES	BODY	ENGINE	TRANS	TRIM	DESCRIPTION
1	06509468AA	2	J, T		74	ER0			BOLT, HEX Flange HEAD, M8-1.25X100Upper
2	06509443AA	1	J, T		74	ER0			STUD, M8X1.25X125.00 Front Lower
		1	J, T		74	ER0			Rear Lower
3	06101445	2	U		74				NUT AND WASHER, Hex, M8x1.25Lower



GRAND CHEROKEE (WK)

SERIES LINE
H = HIGHLINE T = JEEP - 2WD
P = PREMIUM J = JEEP - 4WD
S = SPORT U = JEEP - 4WD (RHD)

BODY
74 = SPORT UTILITY 4-DR
TYPE #4

ENGINE
ERB = 3.6L Mid V6 Engine
EZH = 5.7L V8 HEMI MDS
VVT Engine
EXF = 3.0L V6 Turbo Diesel
Engine

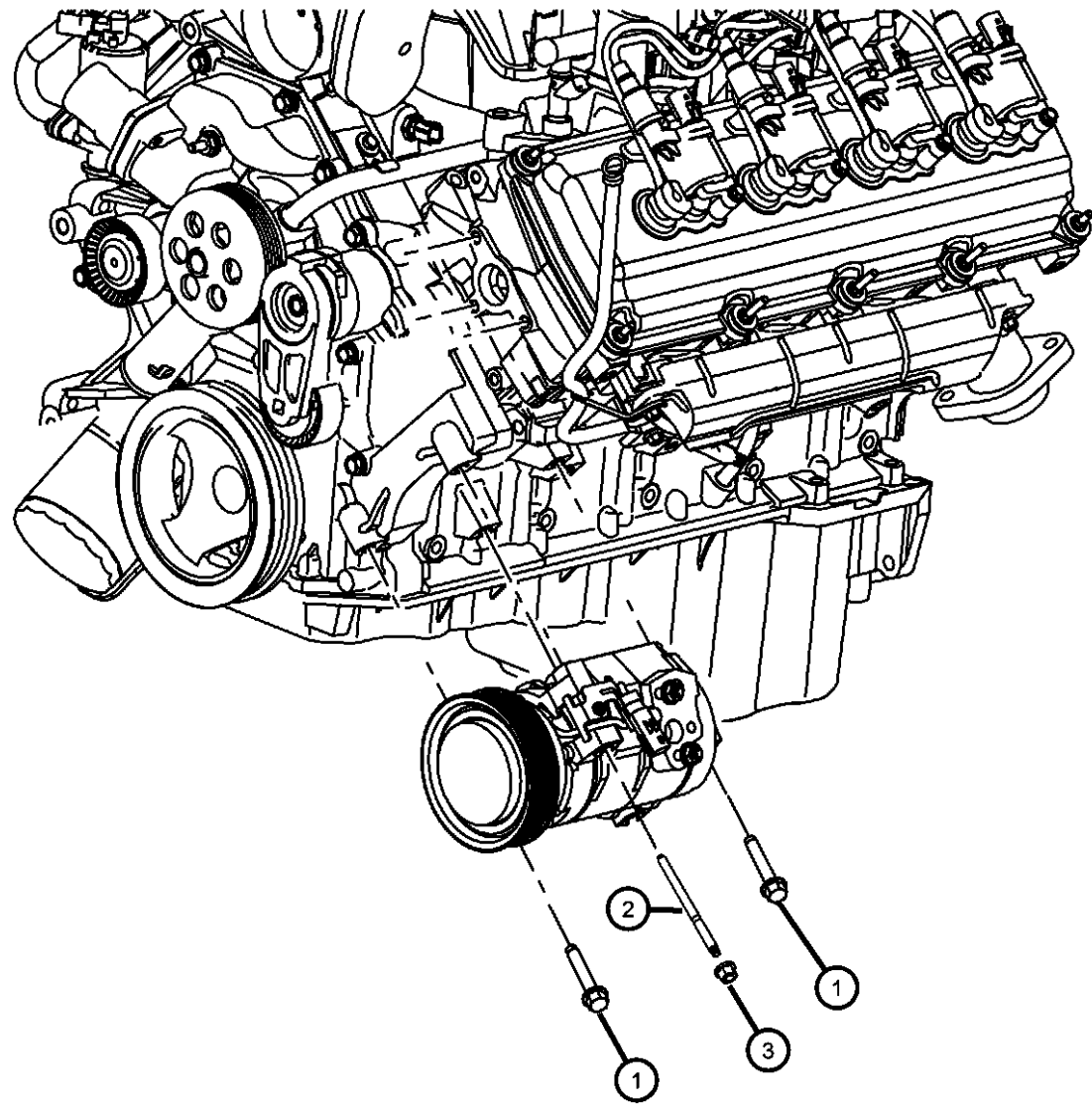
TRANSMISSION
DGQ = 5-Spd Automatic 545RFE
Transmission
DGJ = 5-Speed Auto W5A580
Transmission

AR = use ase required - = Non illustrated part

2011 WK

**A/C Compressor Mounting 3.0L Diesel [EXF] 5.7L [EZH]
Figure 24-455**

ITEM	PART NUMBER	QTY	LINE	SERIES	BODY	ENGINE	TRANS	TRIM	DESCRIPTION
1									BOLT, HEX Flange HEAD, M8-1.25X100
	06509468AA	1	J, T		74	EX0, EZ0			Rear
		1	J, T		74	EX0, EZ0			Lower Front
2	06509443AA	1	J, T		74	EX0, EZ0			STUD, M8X1.25X125.00
3	06101445	1	J, T		74				NUT AND WASHER, Hex, M8x1.25Upper Front



GRAND CHEROKEE (WK)

SERIES LINE
H = HIGHLINE T = JEEP - 2WD
P = PREMIUM J = JEEP - 4WD
S = SPORT U = JEEP - 4WD (RHD)

BODY
74 = SPORT UTILITY 4-DR
TYPE #4

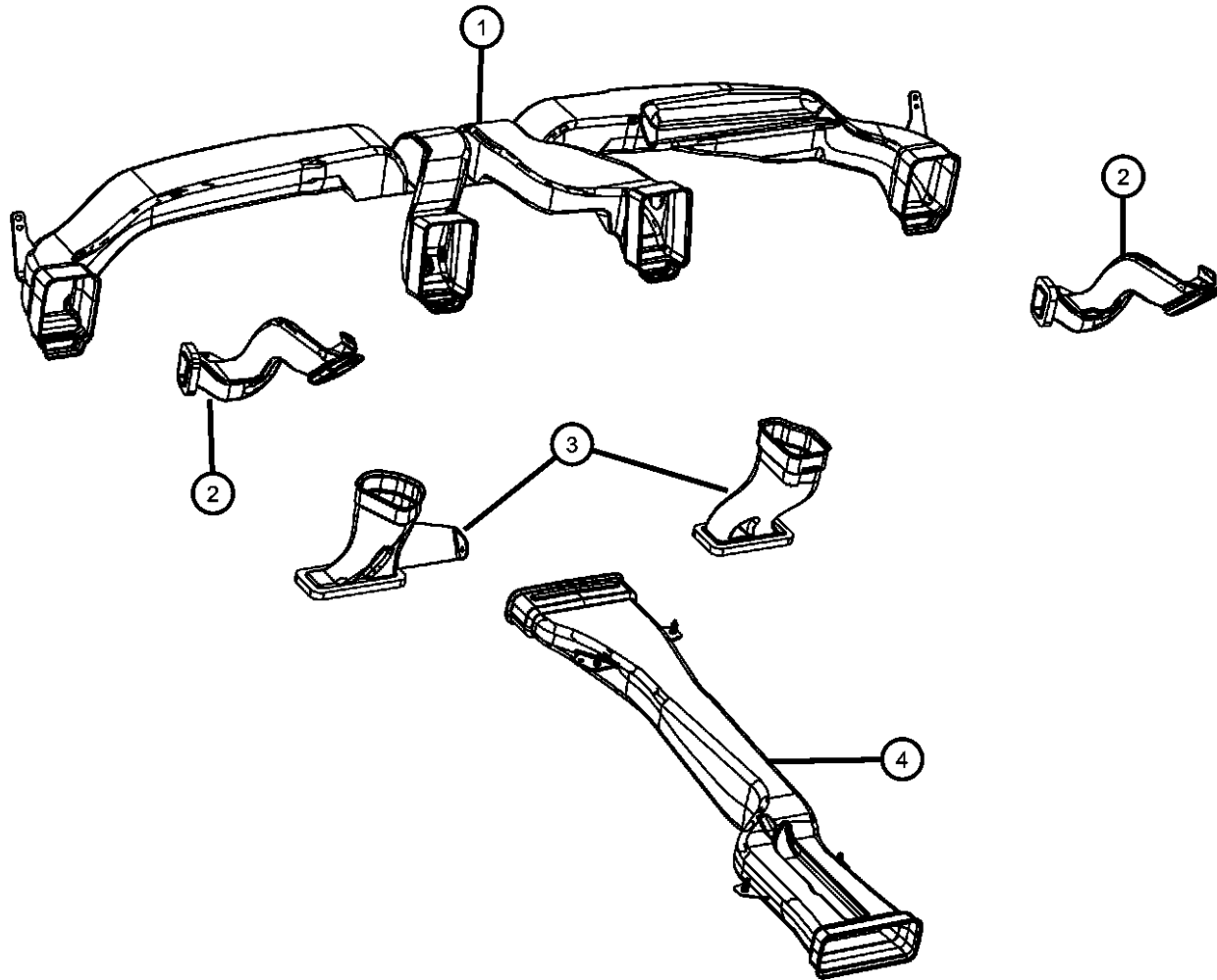
ENGINE
ERB = 3.XL Mid V6 Engine
EZH = 5.7L V8 HEMI MDS
VVT Engine
EXF = 3.0L V6 Turbo Diesel
Engine

TRANSMISSION
DGQ = 5-Spd Automatic 545RFE
Transmission
DGJ = 5-Speed Auto W5A580
Transmission

AR = use ase required - = Non illustrated part

2011 WK

Ducts
Figure 24-505



ITEM	PART NUMBER	QTY	LINE	SERIES	BODY	ENGINE	TRANS	TRIM	DESCRIPTION
Sale Codes: [DV,D1,J1,J3] Are Interior Trim Colors									
1									DUCT, Center Distribution
	68086470AA	1	U		74				Series P
		1	U		74				Series H
		1	U		74				Series S
	68086471AA	1	J, T		74				Series H
		1	J, T		74				Series S
		1	J, T		74				Series P
		1	J, T		74				Series H , Export
		1	J, T		74				Series P , Export
		1	J, T		74				Series S , Export
2									DUCT, Demister
	68086475AA	1	J, T		74				Series S, Right
		1	U		74				Series P, Right
		1	U		74				Series H, Right
		1	J, T		74				Series H , Export, Right
		1	J, T		74				Series P , Export, Right
		1	J, T		74				Series S , Export, Right
		1	U		74				Series S, Right
		1	J, T		74				Series P, Right
		1	J, T		74				Series H, Right
	68086481AA	1	J, T		74				Series S, Left
		1	U		74				Series P, Left
		1	J, T		74				Series P, Left
		1	U		74				Series H, Left
		1	J, T		74				Series H , Export, Left
		1	J, T		74				Series P , Export, Left
		1	J, T		74				Series S , Export, Left
		1	U		74				Series S, Left
		1	J, T		74				Series H, Left
3									DUCT, Instrument Panel
	55038060AC	1	J, T		74				Right
	55038062AC	1	J, T		74				Left
4									DUCT, Air Outlet

GRAND CHEROKEE (WK)

SERIES LINE
H = HIGHLINE T = JEEP - 2WD
P = PREMIUM J = JEEP - 4WD
S = SPORT U = JEEP - 4WD (RHD)

BODY
74 = SPORT UTILITY 4-DR
TYPE #4

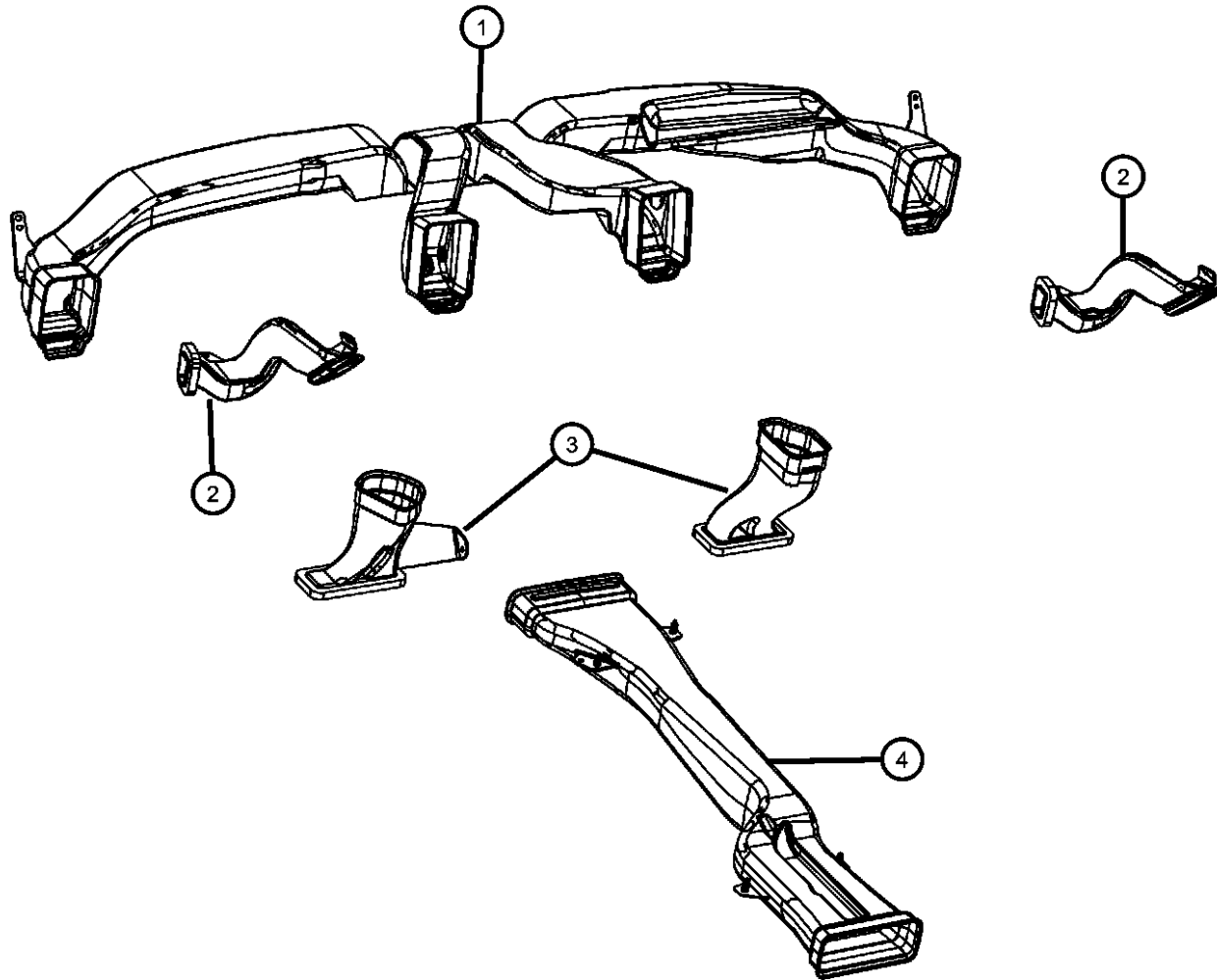
ENGINE
ERB = 3.0L V6 Engine
EZH = 5.7L V8 HEMI MDS
VVT Engine
EXF = 3.0L V6 Turbo Diesel
Engine

TRANSMISSION
DGQ = 5-Spd Automatic 545RFE
Transmission
DGJ = 5-Speed Auto W5A580
Transmission

AR = use ase required - = Non illustrated part

2011 WK

Ducts
Figure 24-505



ITEM	PART NUMBER	QTY	LINE	SERIES	BODY	ENGINE	TRANS	TRIM	DESCRIPTION
	68085974AA	1	U		74				Series S
		1	U		74				Series H
		1	U		74				Series P
		1	T		74				Series S
		1	J		74				Series P
		1	T		74				Series H
		1	J		74				Series H
		1	T		74				Series P
		1	J		74				Series S

GRAND CHEROKEE (WK)

SERIES LINE
H = HIGHLINE T = JEEP - 2WD
P = PREMIUM J = JEEP - 4WD
S = SPORT U = JEEP - 4WD (RHD)

BODY
74 = SPORT UTILITY 4-DR
TYPE #4

ENGINE
ERB = 3.0L Mid V6 Engine
EZH = 5.7L V8 HEMI MDS
VVT Engine
EXF = 3.0L V6 Turbo Diesel
Engine

TRANSMISSION
DGQ = 5-Spd Automatic 545RFE
Transmission
DGJ = 5-Speed Auto W5A580
Transmission

AR = use ase required - = Non illustrated part

2011 WK

Group - 25

Emission Controls

Group - 25 Emission Controls

Illustration Title

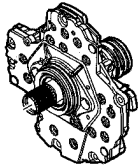
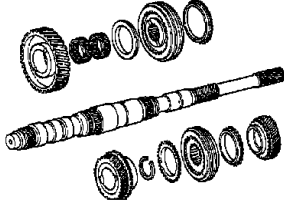
Group-Fig. No.

Vacuum Canister/Leak Detection Pump

Vapor Canister & Leak Detection PumpFig. 25 - 305

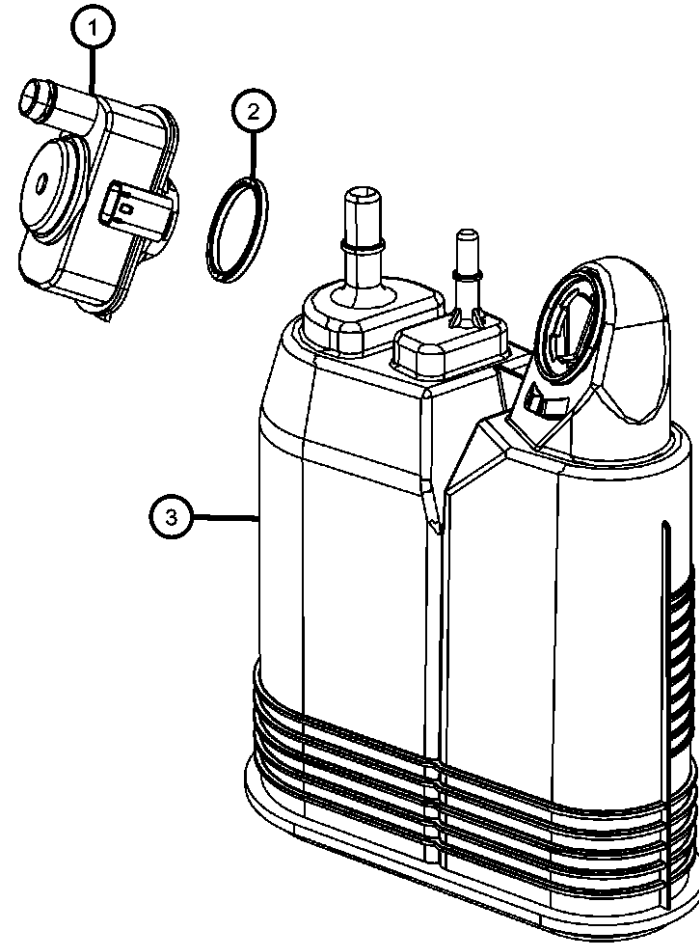
Emission Harness

Emission Control Vacuum HarnessFig. 25 - 405

<p>025-300 Vacuum Canister/Leak Detection Pump</p> 	<p>025-400 Emission Harness</p> 		
---	--	--	--

Vapor Canister & Leak Detection Pump
Figure 25-305

ITEM	PART NUMBER	QTY	LINE	SERIES	BODY	ENGINE	TRANS	TRIM	DESCRIPTION
1	52855827AB	1	J, T, U		74	ERB, EZH			DETECTOR, Evaporative System Integrity Module
2	52129436AA	1	J, T, U		74	ERB, EZH			SEAL, Vapor canister, Seal
3	04593884AE	1	J, T, U		74	ERB, EZH			CANISTER, Vapor



GRAND CHEROKEE (WK)

SERIES LINE
H = HIGHLINE T = JEEP - 2WD
P = PREMIUM J = JEEP - 4WD
S = SPORT U = JEEP - 4WD (RHD)

BODY
74 = SPORT UTILITY 4-DR
TYPE #4

ENGINE
ERB = 3.XL Mid V6 Engine
EZH = 5.7L V8 HEMI MDS
VVT Engine
EXF = 3.0L V6 Turbo Diesel
Engine

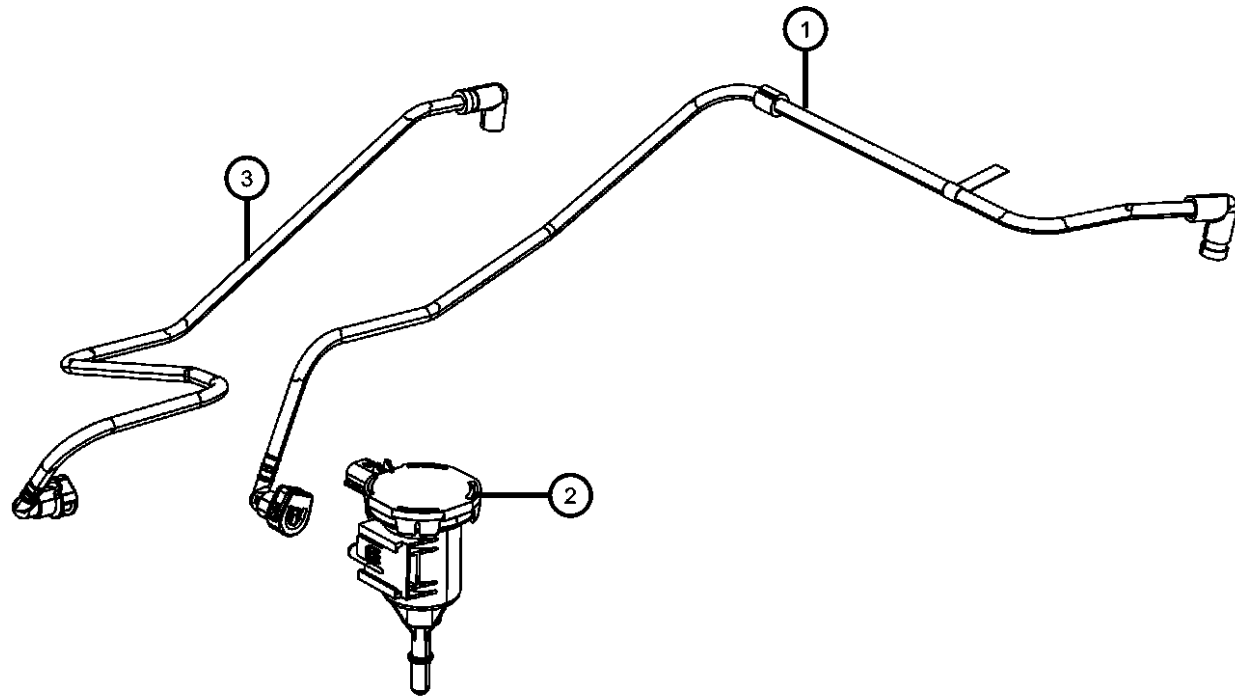
TRANSMISSION
DGQ = 5-Spd Automatic 545RFE
Transmission
DGJ = 5-Speed Auto W5A580
Transmission

AR = use ase required - = Non illustrated part

2011 WK

**Emission Control Vacuum Harness
Figure 25-405**

ITEM	PART NUMBER	QTY	LINE	SERIES	BODY	ENGINE	TRANS	TRIM	DESCRIPTION
1	68040006AB	1	J, T, U		74	ERB			HOSE, Purge
2	04891739AA	1	J, T, U		74	ERB, EZH			VALVE, Linear Purge
3	68038008AB	1	J, T, U		74	EZH			HOSE, Purge



GRAND CHEROKEE (WK)

SERIES	LINE
H = HIGHLINE	T = JEEP - 2WD
P = PREMIUM	J = JEEP - 4WD
S = SPORT	U = JEEP - 4WD (RHD)

BODY
74 = SPORT UTILITY 4-DR TYPE #4

ENGINE
ERB = 3.0L Mid V6 Engine
EZH = 5.7L V8 HEMI MDS VVT Engine
EXF = 3.0L V6 Turbo Diesel Engine

TRANSMISSION
DGQ = 5-Spd Automatic 545RFE Transmission
DGJ = 5-Speed Auto W5A580 Transmission

AR = use ase required - = Non illustrated part

2011 WK

Group - 26

Labels

Group - 26 Labels

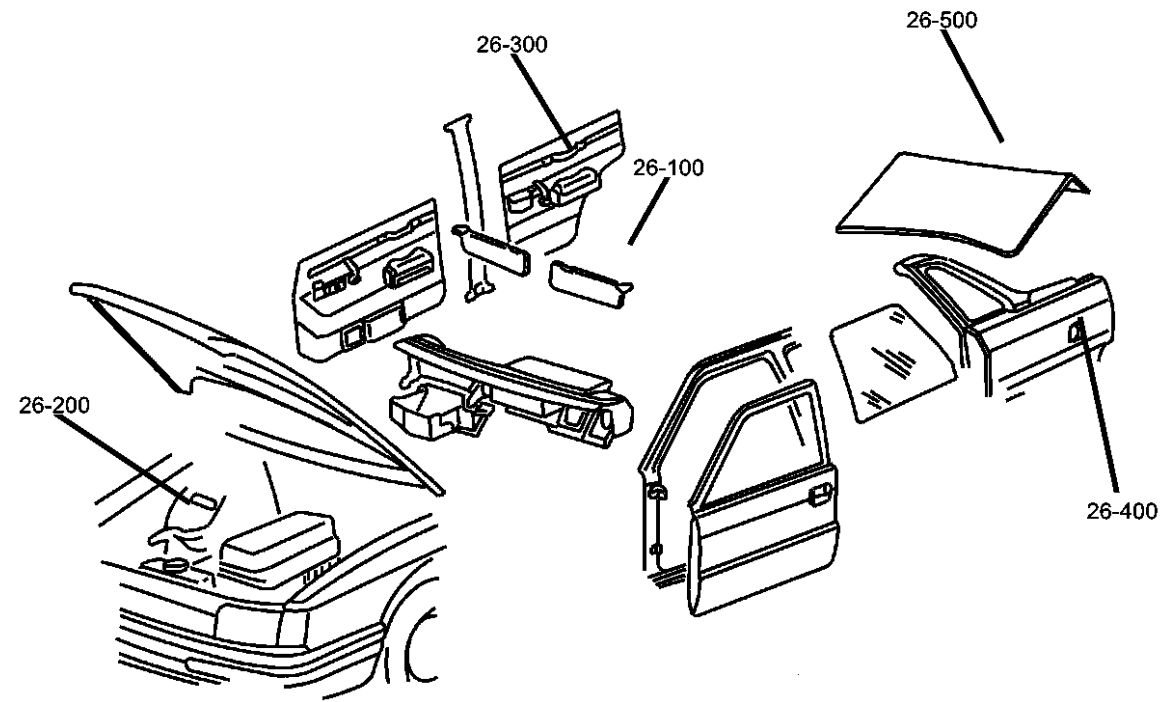


Illustration Title

Group-Fig. No.

Interior

Instrument Panel Fig. 26 - 105
 Visor..... Fig. 26 - 110

Under Hood

Engine Compartment Fig. 26 - 205

Doors

Doors and Pillars Fig. 26 - 311

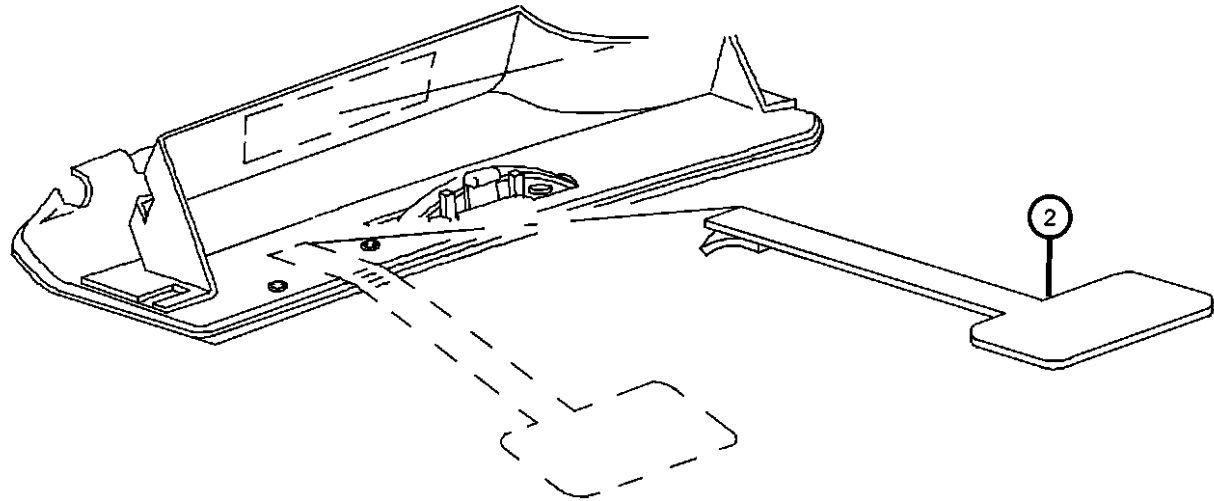
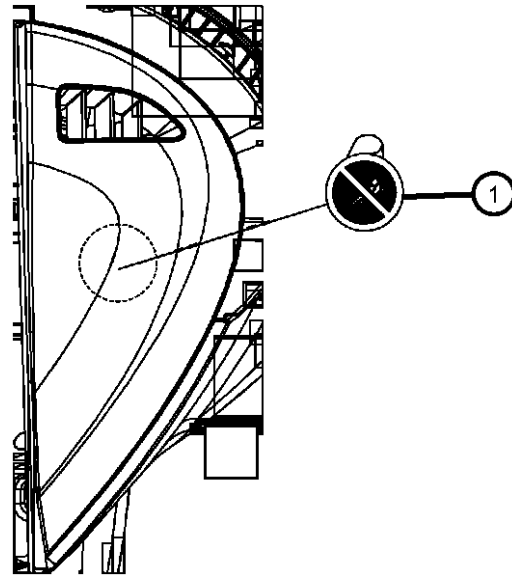
Trunk

Rear Cargo and Storage..... Fig. 26 - 510

<p>026-100 Interior</p>	<p>026-200 Under Hood</p>	<p>026-300 Doors</p>	<p>026-500 Trunk</p>
------------------------------------	--------------------------------------	---------------------------------	---------------------------------

**Instrument Panel
Figure 26-105**

ITEM	PART NUMBER	QTY	LINE	SERIES	BODY	ENGINE	TRANS	TRIM	DESCRIPTION
1		1							LABEL, CHILD SEAT WARNING, (NOT SERVICED)
2	04680610AA	1	J, T, U		74				LABEL, Air Bag Warning



GRAND CHEROKEE (WK)

SERIES LINE
H = HIGHLINE T = JEEP - 2WD
P = PREMIUM J = JEEP - 4WD
S = SPORT U = JEEP - 4WD (RHD)

BODY
74 = SPORT UTILITY 4-DR
TYPE #4

ENGINE
ERB = 3.0L Mid V6 Engine
EZH = 5.7L V8 HEMI MDS
VVT Engine
EXF = 3.0L V6 Turbo Diesel
Engine

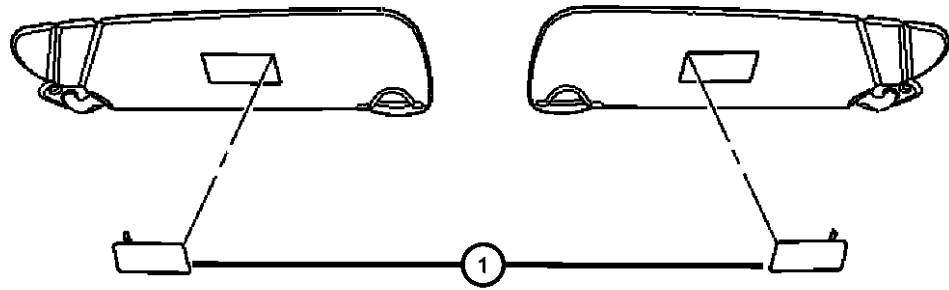
TRANSMISSION
DGQ = 5-Spd Automatic 545RFE
Transmission
DGJ = 5-Speed Auto W5A580
Transmission

AR = use ase required - = Non illustrated part

2011 WK

Visor
Figure 26-110

ITEM	PART NUMBER	QTY	LINE	SERIES	BODY	ENGINE	TRANS	TRIM	DESCRIPTION
1		1							LABEL, Air Bag Warning, Visor, (NOT SERVICED)



GRAND CHEROKEE (WK)

SERIES LINE
H = HIGHLINE T = JEEP - 2WD
P = PREMIUM J = JEEP - 4WD
S = SPORT U = JEEP - 4WD (RHD)

BODY
74 = SPORT UTILITY 4-DR
TYPE #4

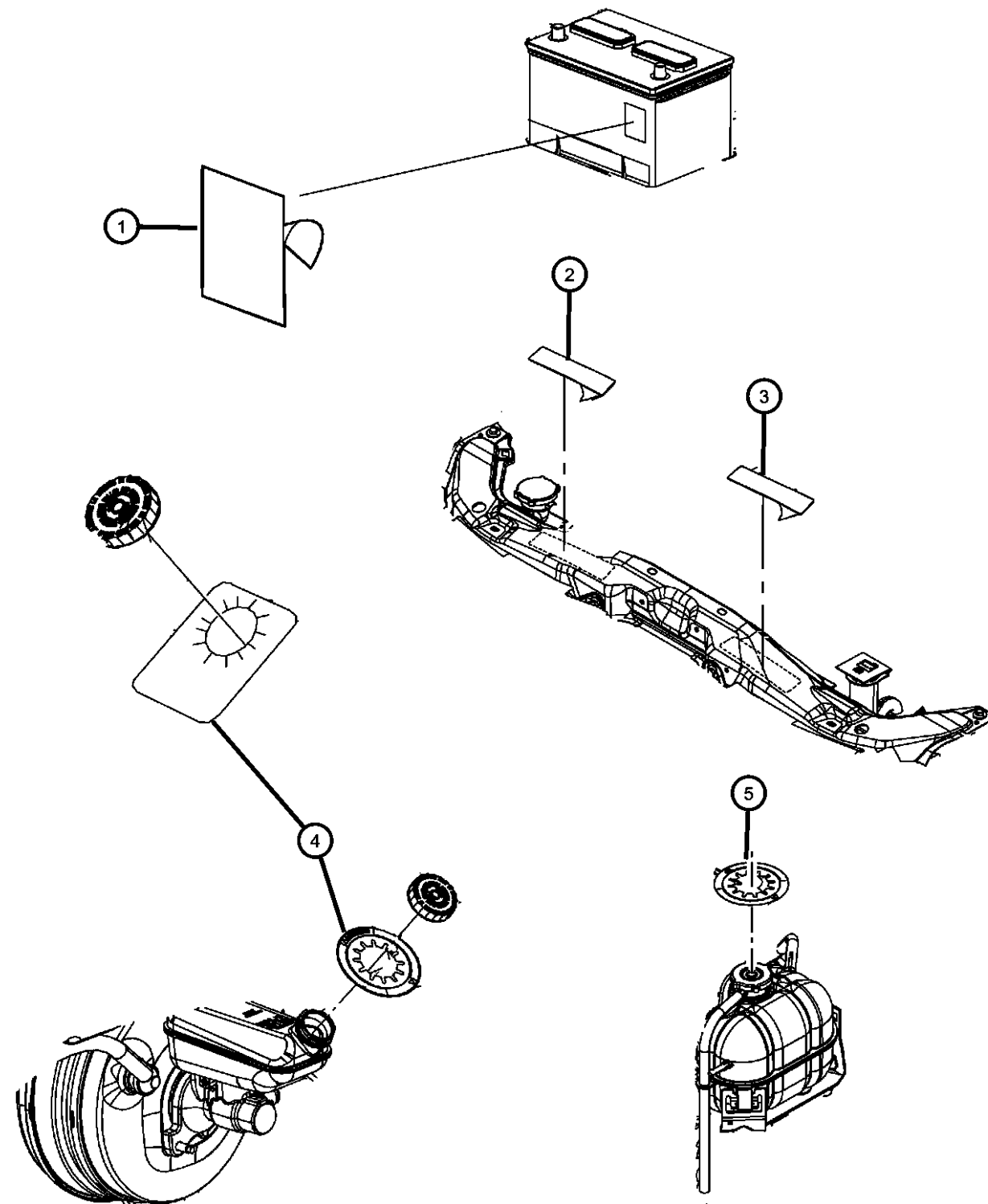
ENGINE
ERB = 3.XL Mid V6 Engine
EZH = 5.7L V8 HEMI MDS
VVT Engine
EXF = 3.0L V6 Turbo Diesel
Engine

TRANSMISSION
DGQ = 5-Spd Automatic 545RFE
Transmission
DGJ = 5-Speed Auto W5A580
Transmission

AR = use ase required - = Non illustrated part

2011 WK

**Engine Compartment
Figure 26-205**



ITEM	PART NUMBER	QTY	LINE	SERIES	BODY	ENGINE	TRANS	TRIM	DESCRIPTION
1		1							LABEL, Battery, (NOT SERVICED)
2	55116955AE	1	J, T, U		74				LABEL, Air Conditioning System
3									LABEL, VEI Label
	68080101AA	1	J, T, U		74				[EZH] [NAA]
	68080102AA	1	J, T, U		74				[ERB] [NAE]
	68080103AA	1	J, T, U		74				[EZH] [NAE]
	68080114AA	1	J, T, U		74				[ERB] [NAA]
4		1							LABEL, Master Cylinder Reservoir, (NOT SERVICED),
5		1							LABEL, Coolant System Cap, (NOT SERVICED)

GRAND CHEROKEE (WK)

SERIES	LINE
H = HIGHLINE	T = JEEP - 2WD
P = PREMIUM	J = JEEP - 4WD
S = SPORT	U = JEEP - 4WD (RHD)

BODY
74 = SPORT UTILITY 4-DR TYPE #4

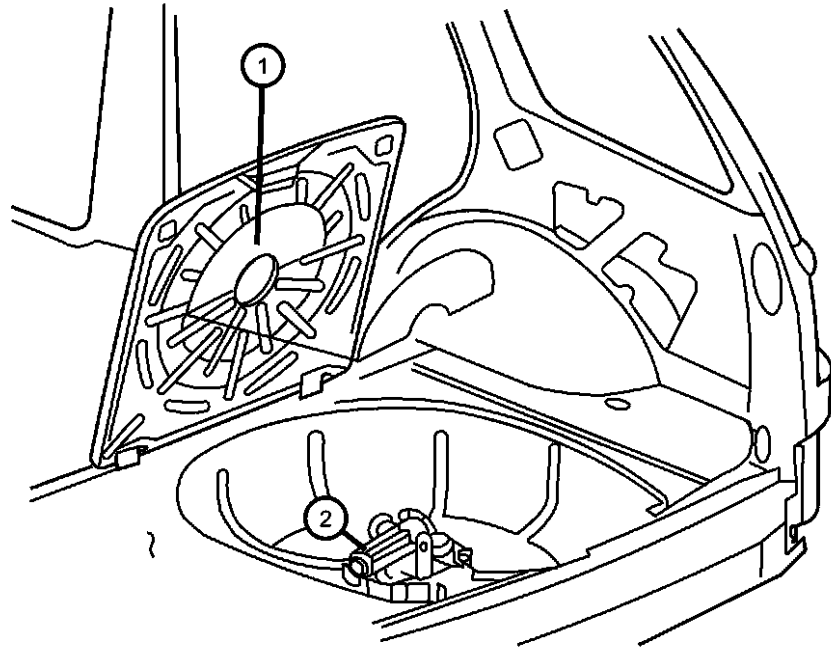
ENGINE
ERB = 3.XL Mid V6 Engine
EZH = 5.7L V8 HEMI MDS VVT Engine
EXF = 3.0L V6 Turbo Diesel Engine

TRANSMISSION
DGQ = 5-Spd Automatic 545RFE Transmission
DGJ = 5-Speed Auto W5A580 Transmission

AR = use ase required - = Non illustrated part

**Rear Cargo and Storage
Figure 26-510**

ITEM	PART NUMBER	QTY	LINE	SERIES	BODY	ENGINE	TRANS	TRIM	DESCRIPTION
1		1							LABEL, Jack Instructions, (NOT SERVICED)
2		1							LABEL, Jack Caution, (NOT SERVICED)



GRAND CHEROKEE (WK)

SERIES LINE
H = HIGHLINE T = JEEP - 2WD
P = PREMIUM J = JEEP - 4WD
S = SPORT U = JEEP - 4WD (RHD)

BODY
74 = SPORT UTILITY 4-DR
TYPE #4

ENGINE
ERB = 3.XL Mid V6 Engine
EZH = 5.7L V8 HEMI MDS
VVT Engine
EXF = 3.0L V6 Turbo Diesel
Engine

TRANSMISSION
DGQ = 5-Spd Automatic 545RFE
Transmission
DGJ = 5-Speed Auto W5A580
Transmission

AR = use ase required - = Non illustrated part

2011 WK

Group - 27

Glass

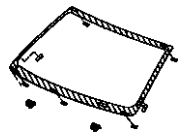
Group - 27 Glass

Illustration Title

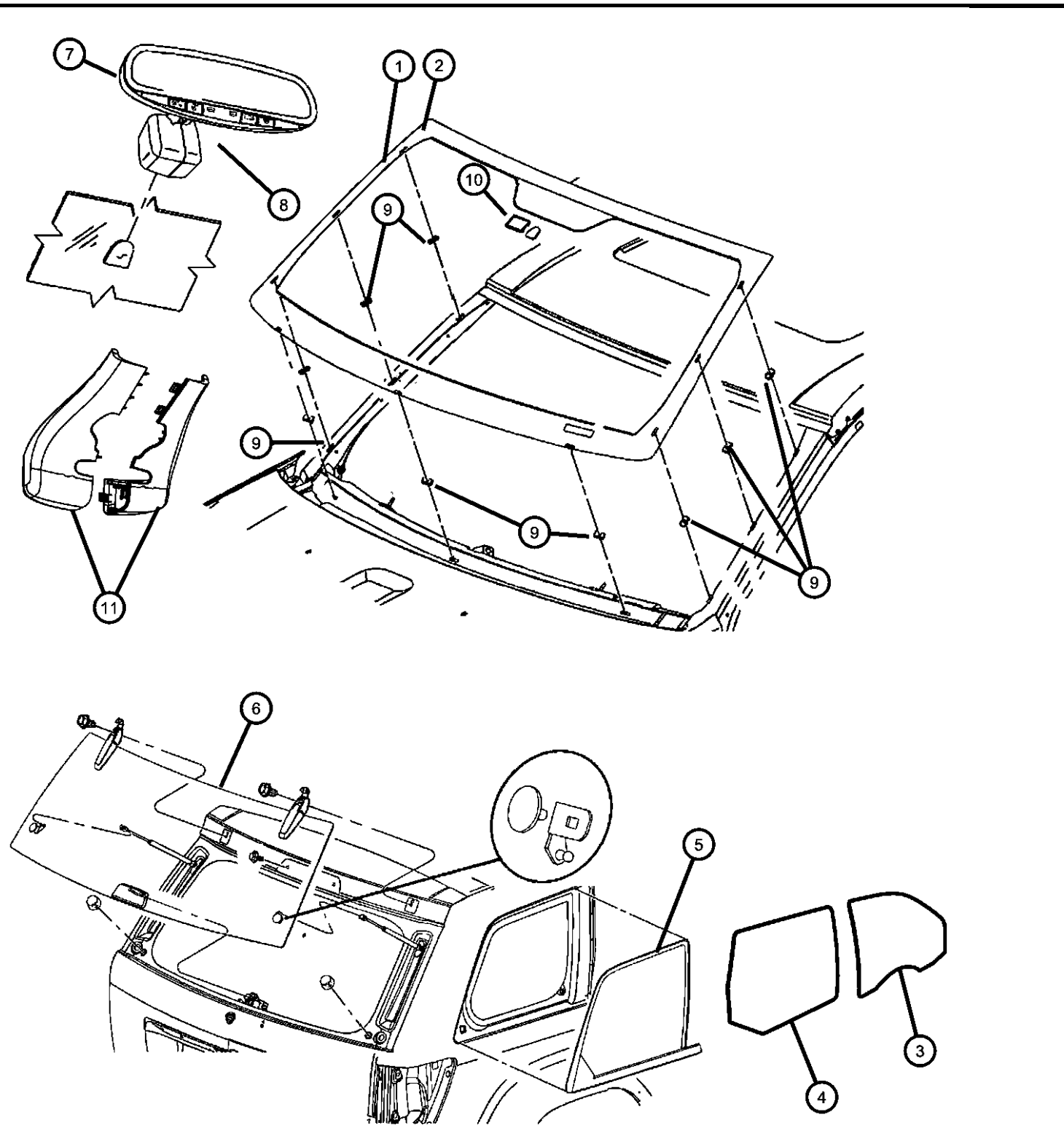
Group-Fig. No.

Glass and Interior Rear View Mirror

Glass, Glass Hardware & Interior Mirror Fig. 27 - 105

<p>027-100 Glass and Interior Rear View Mirror</p> 			
---	--	--	--

Glass, Glass Hardware & Interior Mirror
Figure 27-105



ITEM	PART NUMBER	QTY	LINE	SERIES	BODY	ENGINE	TRANS	TRIM	DESCRIPTION
1	68036141AB	1	J, T, U		74				WINDSHIELD [JHA]
	68036457AC	1	J, T, U		74				[JHC]
2	68080677AA	1	J, T, U		74				WINDSHIELD, Shipping Assembly - 30 Lite Glass [JHA]
	68080676AA	1	J, T, U		74				[JHC]
3	55369519AB	1	J, T, U		74				GLASS, Front Door [GCB], Left
	68068671AA	1	J, T, U		74				[GCB], [GAP], Left
	68068670AA	1	J, T, U		74				[GCB], [GAP], Right
	55369518AB	1	J, T, U		74				[GCB], Right
4	55113618AB	1	J, U		74				GLASS, Rear Door [GED], Right
	55113619AB	1	J, U		74				[GED], Left
	68028904AB	1	J, T, U		74				[GEG], Right
	68028905AB	1	J, T, U		74				[GEG], Left
5	68081518AA	1	J, T, U		74				GLASS, Quarter Window [GEG], Right
	68081519AA	1	J, T, U		74				[GEG], Left
	68081520AA	1	J, U		74				[GED], Right, Export
	68081521AA	1	J, U		74				[GED], Left, Export
6	68080678AA	1	J, T, U		74				BACKLITE [GEG]
	68080679AA	1	J, T, U		74				[GED]
7	57010268AB	1	J, T, U		74				MIRROR, Inside Rear View [GN5], [RSR]
	57010393AA	1	J, T, U		74				[GNA], Export
	57010732AC	1	J, T, U		74				[GN5], [LMS]
	04805332AD	1	J, T, U		74				[GNA]
	55079456AC	1	J, T, U		74				[GN5]
8	06036548AA	1	J, T, U		74				SCREW, Tapping Pan Head, .190-24x.375
9	55369224AA	3	J, T, U		74				SPACER, Windshield
10		3							BRACKET, Windshield, Rain Sensor Bracket Serviced With Windshield, (NOT SERVICED)

GRAND CHEROKEE (WK)

SERIES LINE
H = HIGHLINE T = JEEP - 2WD
P = PREMIUM J = JEEP - 4WD
S = SPORT U = JEEP - 4WD (RHD)

BODY
74 = SPORT UTILITY 4-DR
TYPE #4

ENGINE
ERB = 3.0L Mid V6 Engine
EZH = 5.7L V8 HEMI MDS
VVT Engine
EXF = 3.0L V6 Turbo Diesel
Engine

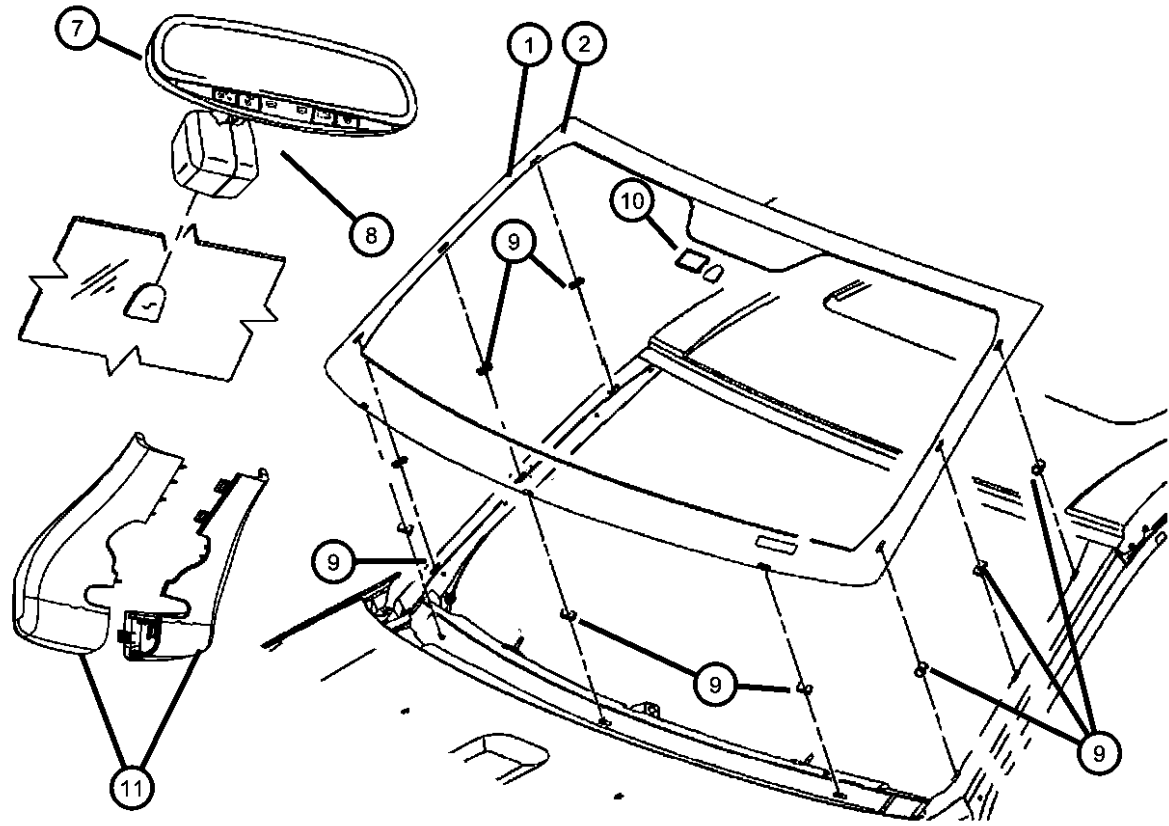
TRANSMISSION
DGQ = 5-Spd Automatic 545RFE
Transmission
DGJ = 5-Speed Auto W5A580
Transmission

AR = use ase required - = Non illustrated part

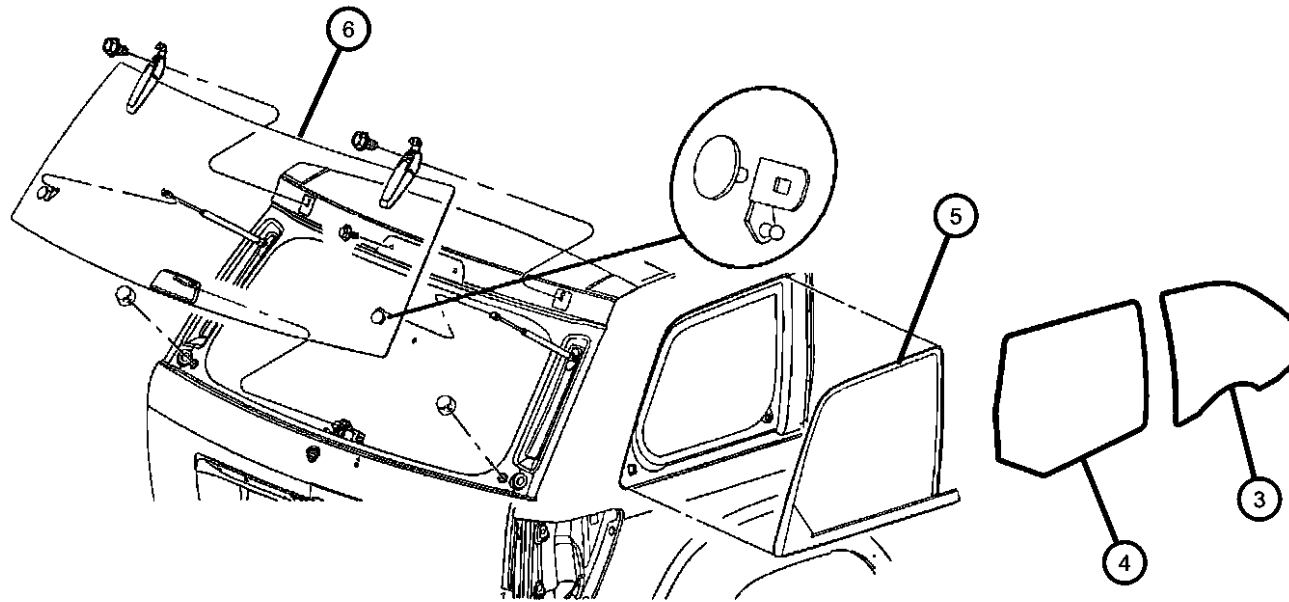
2011 WK

Glass, Glass Hardware & Interior Mirror
Figure 27-105

ITEM	PART NUMBER	QTY	LINE	SERIES	BODY	ENGINE	TRANS	TRIM	DESCRIPTION
------	-------------	-----	------	--------	------	--------	-------	------	-------------



11									COVER, Mirror
	57010753AB	1	J, T, U		74				[LMS], Left
	57010752AB	1	J, T, U		74				[LMS], Right



GRAND CHEROKEE (WK)

SERIES LINE
H = HIGHLINE T = JEEP - 2WD
P = PREMIUM J = JEEP - 4WD
S = SPORT U = JEEP - 4WD (RHD)

BODY
74 = SPORT UTILITY 4-DR
TYPE #4

ENGINE
ERB = 3.0L Mid V6 Engine
EZH = 5.7L V8 HEMI MDS
VVT Engine
EXF = 3.0L V6 Turbo Diesel
Engine

TRANSMISSION
DGQ = 5-Spd Automatic 545RFE
Transmission
DGJ = 5-Speed Auto W5A580
Transmission

AR = use ase required - = Non illustrated part

2011 WK

Group - 30

Doors, Door Mirrors and Related Parts

Group - 30 Doors, Door Mirrors and Related Parts

Illustration Title

Group-Fig. No.

Front Door

Front Door, Shell and Hinges.....Fig. 30 - 105
 Front Door, Hardware Components.....Fig. 30 - 125
 Door Lock Cylinder.....Fig. 30 - 150

Rear Door

Rear Door, Shell and Hinges.....Fig. 30 - 205
 Rear Door, Hardware Components.....Fig. 30 - 225

Exterior Mirror

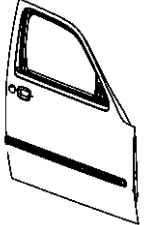
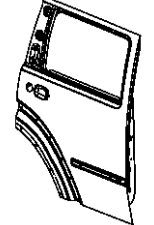
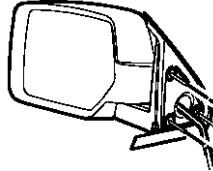
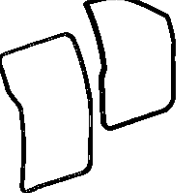
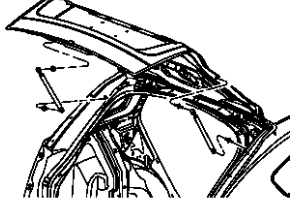
Mirror, Exterior.....Fig. 30 - 505

Weatherstrips and Seals

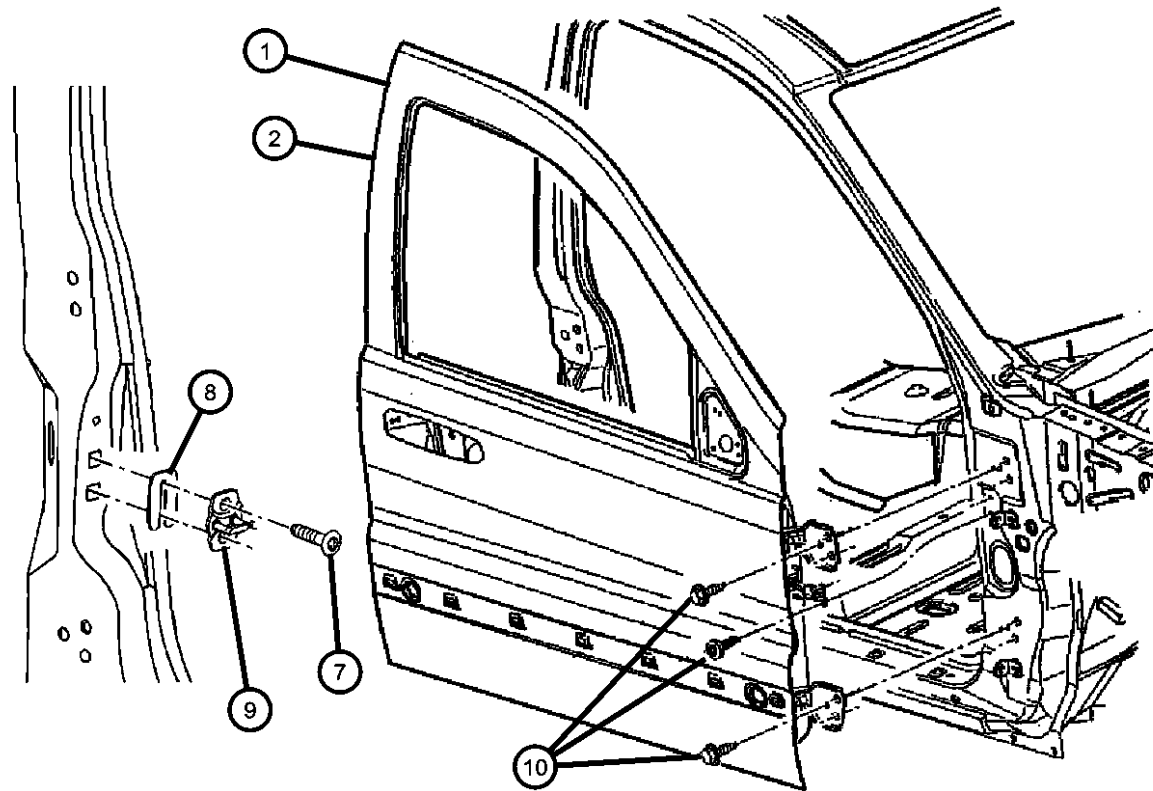
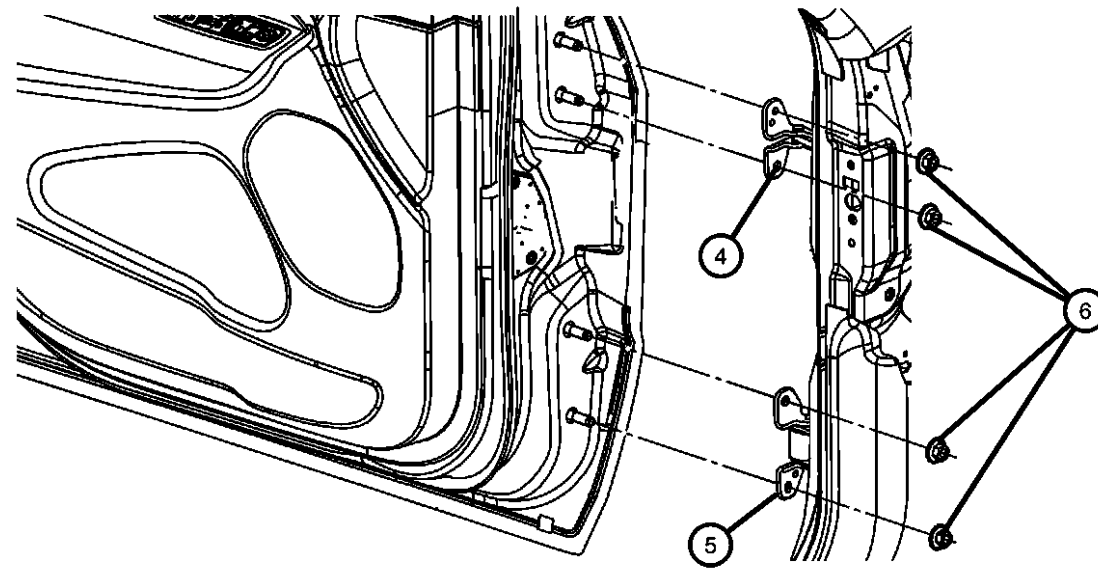
Weatherstrips, Front Door.....Fig. 30 - 605
 Weatherstrips, Rear Door.....Fig. 30 - 625
 Weatherstrips, Liftgate.....Fig. 30 - 665

Lift and Tail gates

Liftgate.....Fig. 30 - 705

<p>030-100 Front Door</p> 	<p>030-200 Rear Door</p> 	<p>030-500 Exterior Mirror</p> 	<p>030-600 Weatherstrips and Seals</p> 
<p>030-700 Lift and Tail gates</p> 			

Front Door, Shell and Hinges
Figure 30-105



ITEM	PART NUMBER	QTY	LINE	SERIES	BODY	ENGINE	TRANS	TRIM	DESCRIPTION
1	55113638AE	1	J, T, U		74				DOOR, Front Right
	55113639AE	1	J, T, U		74				Left
2	55369572AC	1	J, T, U		74				PANEL, Front Door Outer Repair Right
	55369573AC	1	J, T, U		74				Left
-3	05020813AB	2	J, T, U		74				BUMPER, Door, Overslam bumper
4	55113660AB	1	J, T, U		74				HINGE, Door, Upper Right
	55113661AB	1	J, T, U		74				Left
5	55113664AB	1	J, T, U		74				HINGE, Door Right
	55113665AB	1	J, T, U		74				Left
6	06100050	4	J, T, U		74				NUT AND WASHER
7	06508312AA	2	J, T, U		74				SCREW, Torx Head, M8X1.25X34
8	04520289	AR	J, T, U		74				SPACER, Door Latch Striker 2.5MM
	04520289AB	AR	J, T, U		74				3.75MM
	04589050AA	1	J, T, U		74				STRIKER, Door Latch
10	06507742AA	4	J, T, U		74				SCREW AND WASHER, Hex Head, M8x1.25x33

GRAND CHEROKEE (WK)

SERIES LINE
H = HIGHLINE T = JEEP - 2WD
P = PREMIUM J = JEEP - 4WD
S = SPORT U = JEEP - 4WD (RHD)

BODY
74 = SPORT UTILITY 4-DR
TYPE #4

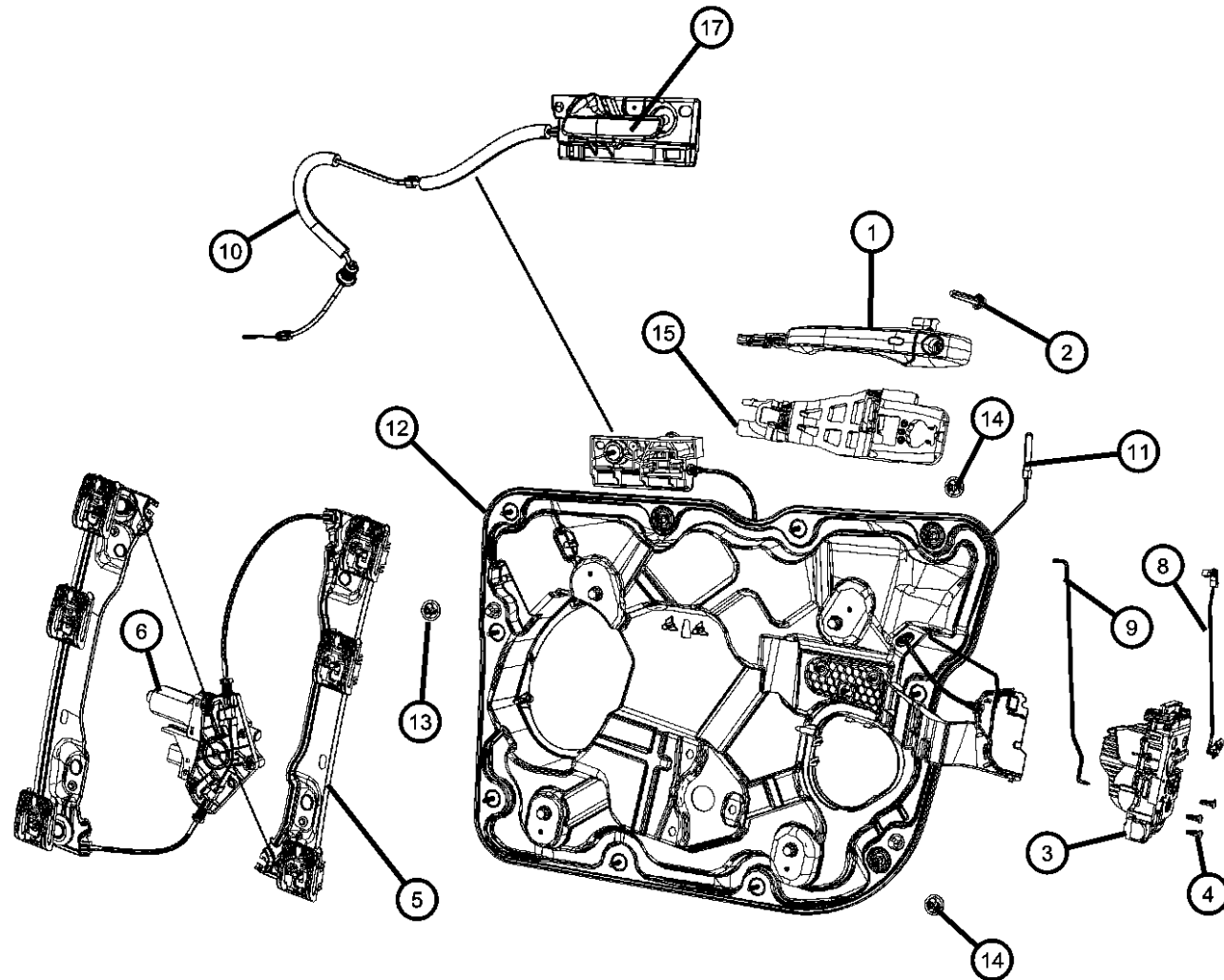
ENGINE
ERB = 3.0L Mid V6 Engine
EZH = 5.7L V8 HEMI MDS
VVT Engine
EXF = 3.0L V6 Turbo Diesel
Engine

TRANSMISSION
DGQ = 5-Spd Automatic 545RFE
Transmission
DGJ = 5-Speed Auto W5A580
Transmission

AR = use ase required - = Non illustrated part

2011 WK

Front Door, Hardware Components
Figure 30-125



ITEM	PART NUMBER	QTY	LINE	SERIES	BODY	ENGINE	TRANS	TRIM	DESCRIPTION
1									HANDLE, Front Door Exterior
	1QA21GTWAC	1	J, T, U		74				[TW], [MNK] Without [LS9] And/Or [ABJ], Left Front
	1QA21HBVAE	1	J, T, U		74				[BV], [MNK] Without [LS9] And/Or [ABJ], Left Front
	1QA21HVAE	1	J, T, U		74				[AV], [MNK] Without [LS9] And/Or [ABJ], Left Front
	1QA18GT-WAD	1	J, T, U		74				[TW], [MNK] Without [ABJ], Right Front
	1QA18ARHAE	1	J, T, U		74				[RH], [MNK] Without [ABJ], Right Front
	1QA18AXRAE	1	J, T, U		74				[XR], [MNK] Without [ABJ], Right Front
	1QA21SW1AE	1	J, T, U		74				[W1], [MNK] Without [LS9] And/Or [ABJ], Left Front
	1QA21HWLAE	1	J, T, U		74				[WL], [MNK] Without [LS9] And/Or [ABJ], Left Front
	1SP27AXRAB	1	J, T, U		74				[MNK], [XR], Left Front
	1SP27GT-WAB	1	J, T, U		74				[MNK], [TW], Left Front
	1SP27ARHAB	1	J, T, U		74				[MNK], [RH], Left Front
	1SP27HBVAB	1	J, T, U		74				[MNK], [BV], Left Front
	1SP27HAVAB	1	J, T, U		74				[MNK], [AV], Left Front
	1SP27WS2AB	1	J, T, U		74				[MNK], [S2], Left Front
	1TB84ARHAA	1	U		74				[MNK], [ABJ], [RT], Right Front
	1SP27SW1AB	1	J, T, U		74				[MNK], [W1], Left Front
	1TB84HAVAA	1	U		74				[MNK], [ABJ], [AV], Right Front
	1TB84HBVAA	1	U		74				[MNK], [ABJ], [BV], Right Front
	1TB84AXRAA	1	U		74				[MNK], [ABJ], [XR], Right Front
	1TB84HWLAA	1	U		74				[MNK], [ABJ], [WL], Right Front
	1TB84JUKAA	1	U		74				[MNK], [ABJ], [UK], Right Front
	1TB84HG-NAA	1	U		74				[MNK], [ABJ], [GN], Right Front
	1TB84WS2AA	1	U		74				[MNK], [ABJ], [S2], Right Front
	1TB85ARHAA	1	U		74				[MNK], [RH] Without [ABJ], Left Front
	1TB84SW1AA	1	U		74				[MNK], [ABJ], [W1], Right Front
	1TB85HAVAA	1	U		74				[MNK], [AV] Without [ABJ], Left Front
	1TB85HBVAA	1	U		74				[MNK], [BV] Without [ABJ], Left Front
	1TB85AXRAA	1	U		74				[MNK], [XR] Without [ABJ], Left Front

GRAND CHEROKEE (WK)

SERIES LINE
H = HIGHLINE T = JEEP - 2WD
P = PREMIUM J = JEEP - 4WD
S = SPORT U = JEEP - 4WD (RHD)

BODY
74 = SPORT UTILITY 4-DR TYPE #4

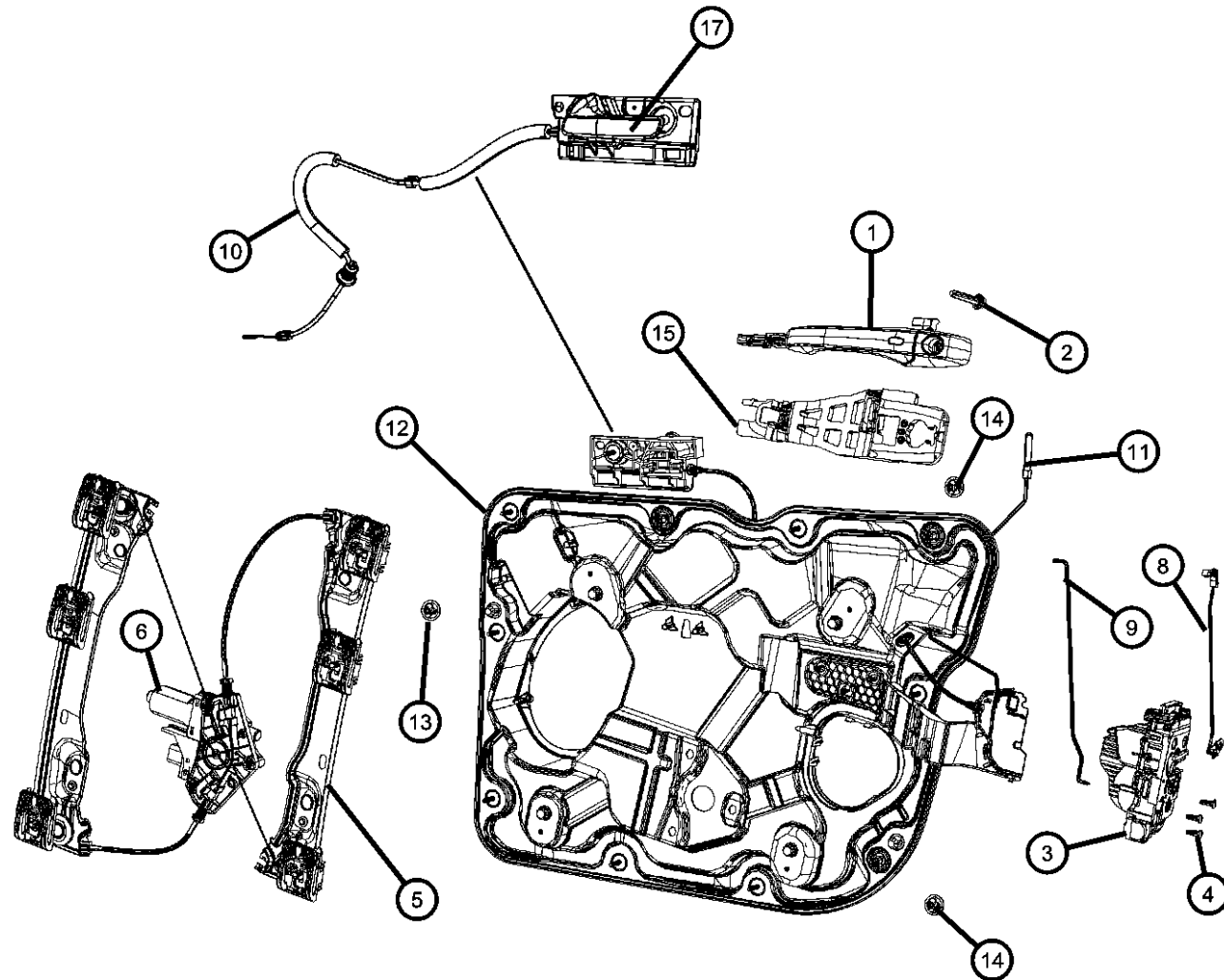
ENGINE
ERB = 3.0L Mid V6 Engine
EZH = 5.7L V8 HEMI MDS VVT Engine
EXF = 3.0L V6 Turbo Diesel Engine

TRANSMISSION
DGQ = 5-Spd Automatic 545RFE Transmission
DGJ = 5-Speed Auto W5A580 Transmission

AR = use ase required - = Non illustrated part

2011 WK

Front Door, Hardware Components
Figure 30-125



ITEM	PART NUMBER	QTY	LINE	SERIES	BODY	ENGINE	TRANS	TRIM	DESCRIPTION
	1TB85HWLAA	1	U		74				[MNK], [WL] Without [ABJ], Left Front
	1TB85JUKAA	1	U		74				[MNK], [UK] Without [ABJ], Left Front
	1TB85HG-NAA	1	U		74				[MNK], [GN] Without [ABJ], Left Front
	1TB85WS2AA	1	U		74				[MNK], [S2] Without [ABJ], Left Front
	1TB86ARHAA	1	U		74				[MNK], [RH] Without [ABJ], Right Front
	1TB85SW1AA	1	U		74				[MNK], [W1] Without [ABJ], Left Front
	1TB86HAVAA	1	U		74				[MNK], [AV] Without [ABJ], Right Front
	1TB86HBVAA	1	U		74				[MNK], [BV] Without [ABJ], Right Front
	1TB86AXRAA	1	U		74				[MNK], [XR] Without [ABJ], Right Front
	1TB86HWLAA	1	U		74				[MNK], [WL] Without [ABJ], Right Front
	1TB86JUKAA	1	U		74				[MNK], [UK] Without [ABJ], Right Front
	1TB86HG-NAA	1	U		74				[MNK], [GN] Without [ABJ], Right Front
	04589881AE	1	J, T, U		74				[MNC] Without [LS9] And/Or [ABJ], Left Front
	04589884AE	1	J, T, U		74				[MNC] Without [ABJ], Right Front
		1	J, T		74				[MNC], Right Front
	1TB86WS2AA	1	U		74				[MNK], [S2] Without [ABJ], Right Front
	68078959AB	1	J, T, U		74				[MNC], Left Front
	1TB86SW1AA	1	U		74				[MNK], [W1] Without [ABJ], Right Front
	68083850AA	1	U		74				[MNC], [ABJ], Right Front
	68083852AA	1	U		74				[MNC] Without [ABJ], Right Front
	68083849AA	1	U		74				[MNC] Without [ABJ], Left Front
	1QA18WS2AE	1	J, T, U		74				[S2], [MNK] Without [ABJ], Right Front
	1QA21HG-NAE	1	J, T, U		74				[GN], [MNK] Without [LS9] And/Or [ABJ], Left Front
	1QA21WS2AE	1	J, T, U		74				[S2], [MNK] Without [LS9] And/Or [ABJ], Left Front
	1SP27HWLAB	1	J, T, U		74				[MNK], [WL], Left Front
	1QA18HBVAE	1	J, T, U		74				[BV], [MNK] Without [ABJ], Right Front

GRAND CHEROKEE (WK)

SERIES LINE
H = HIGHLINE T = JEEP - 2WD
P = PREMIUM J = JEEP - 4WD
S = SPORT U = JEEP - 4WD (RHD)

BODY
74 = SPORT UTILITY 4-DR TYPE #4

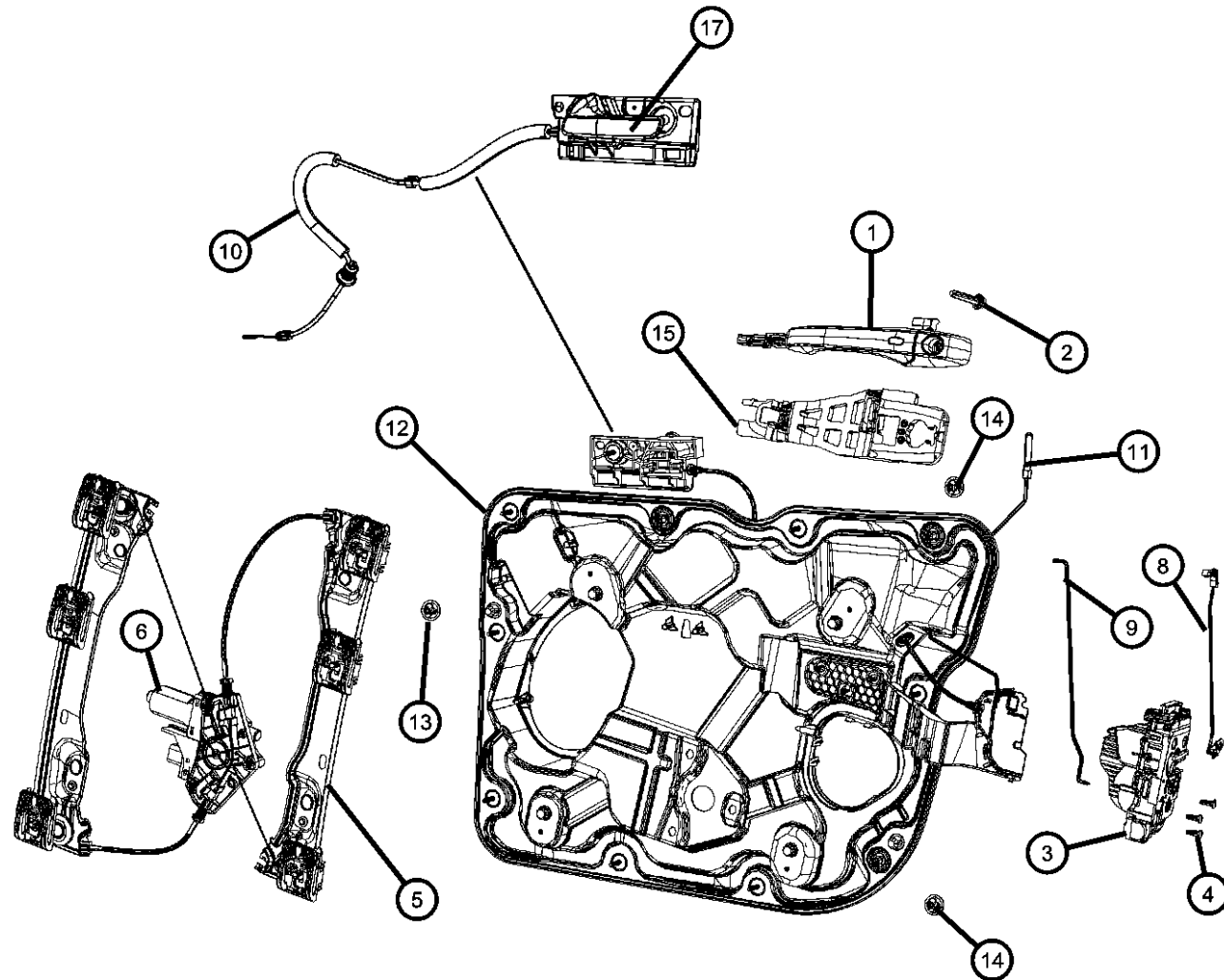
ENGINE
ERB = 3.0L Mid V6 Engine
EZH = 5.7L V8 HEMI MDS VVT Engine
EXF = 3.0L V6 Turbo Diesel Engine

TRANSMISSION
DGQ = 5-Spd Automatic 545RFE Transmission
DGJ = 5-Speed Auto W5A580 Transmission

AR = use ase required - = Non illustrated part

2011 WK

Front Door, Hardware Components
Figure 30-125



ITEM	PART NUMBER	QTY	LINE	SERIES	BODY	ENGINE	TRANS	TRIM	DESCRIPTION
	1QA18HG-NAE	1	J, T, U		74				[GN], [MNK] Without [ABJ], Right Front
	1QA18HVAE	1	J, T, U		74				[AV], [MNK] Without [ABJ], Right Front
	1QA18SW1AE	1	J, T, U		74				[W1], [MNK] Without [ABJ], Right Front
	1QA18HWLAE	1	J, T, U		74				[WL], [MNK] Without [ABJ], Right Front
	1QA21ARHAE	1	J, T, U		74				[RH], [MNK] Without [LS9] And/Or [ABJ], Left Front
	1QA21AXRAE	1	J, T, U		74				[XR], [MNK] Without [LS9] And/Or [ABJ], Left Front
2	06509575AA	1	J, T, U		74				SCREW
3									LATCH, Front Door
	04589921AB	1	J, T, U		74				[X82], [JPB] Without [LS9], Left Front
	04589924AB	1	J, T, U		74				[X82], [JPB] Without [LS9], Right Front
4	06509508AA	3	J, T, U		74				SCREW, Oval Head, M6X1.00X17.50
5									REGULATOR, Front Door Window
	68079287AA	1	J, T, U		74				[X82], Left
	68079286AA	1	J, T, U		74				[X82], Right
6									MOTOR, Window Regulator, Front Door
	68079282AA	1	J, T, U		74				[X82], Right
	68079283AA	1	J, T, U		74				[X82], Left
-7	68043877AA	3	J, T, U		74				SCREW, Window Motor
8									LINK, Key Cylinder To Latch
	68083866AA	1	U		74				
	55113495AB	1	J, T		74				
9									LINK, Outside Handle To Latch, Front Door
	55113499AD	1	J, T, U		74				Left
	55113498AD	1	J, T, U		74				Right
10	68079300AA	1	J, T, U		74				CABLE, Inside Handle To Latch, Front Door, [X82]
11									ROD, Lock, Front Door
	68079296AA	1	J, T, U		74				[X82], Right
	68079297AA	1	J, T, U		74				[X82], Left
12									PANEL, Carrier Plate, Front Door

GRAND CHEROKEE (WK)

SERIES LINE
H = HIGHLINE T = JEEP - 2WD
P = PREMIUM J = JEEP - 4WD
S = SPORT U = JEEP - 4WD (RHD)

BODY
74 = SPORT UTILITY 4-DR
TYPE #4

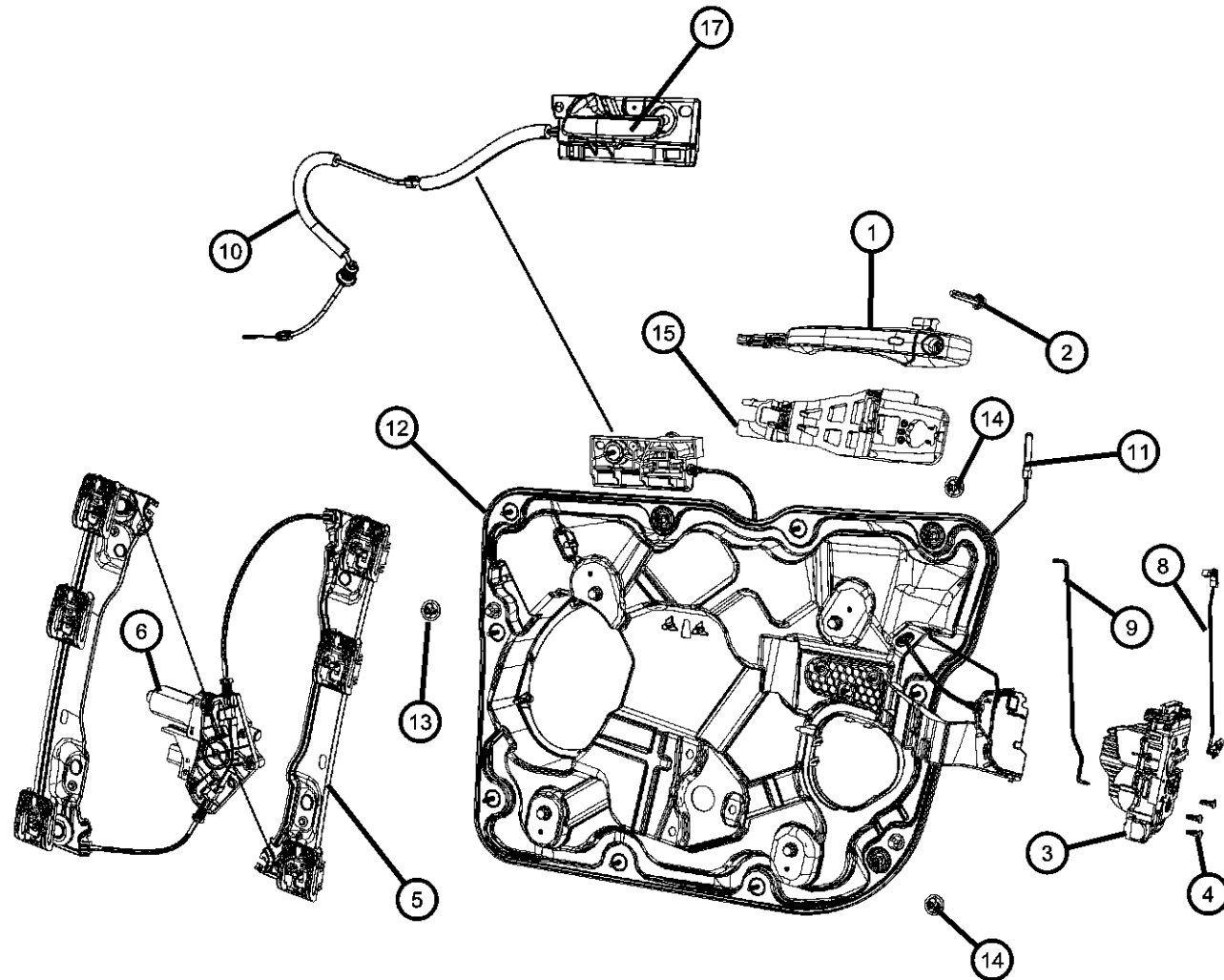
ENGINE
ERB = 3.0L Mid V6 Engine
EZH = 5.7L V8 HEMI MDS
VVT Engine
EXF = 3.0L V6 Turbo Diesel
Engine

TRANSMISSION
DGQ = 5-Speed Automatic 545RFE
Transmission
DGJ = 5-Speed Auto W5A580
Transmission

AR = use ase required - = Non illustrated part

2011 WK

Front Door, Hardware Components
Figure 30-125



ITEM	PART NUMBER	QTY	LINE	SERIES	BODY	ENGINE	TRANS	TRIM	DESCRIPTION
	68079291AA	1	J, T, U		74				[X82], Left
	68079290AA	1	J, T, U		74				[X82], Right
13	04560219AA	1	J, T, U		74				CLIP, [X82]
14	04589463AA	2	J, T, U		74				CLIP, [X82]
15									BRACKET, Door Handle
	04589887AC	1	J, T, U		74				Left
	04589888AC	1	J, T, U		74				Right
-16	68043752AA	1	J, T, U		74				PLUG, Latch Access, [x82]
17									HANDLE, Door Interior
	68079302AA	1	J, T, U		74				Right
	68079303AA	1	J, T, U		74				Left

GRAND CHEROKEE (WK)

SERIES LINE
H = HIGHLINE T = JEEP - 2WD
P = PREMIUM J = JEEP - 4WD
S = SPORT U = JEEP - 4WD (RHD)

BODY
74 = SPORT UTILITY 4-DR
TYPE #4

ENGINE
ERB = 3.0L Mid V6 Engine
EZH = 5.7L V8 HEMI MDS
VVT Engine
EXF = 3.0L V6 Turbo Diesel
Engine

TRANSMISSION
DGQ = 5-Spd Automatic 545RFE
Transmission
DGJ = 5-Speed Auto W5A580
Transmission

AR = use ase required - = Non illustrated part

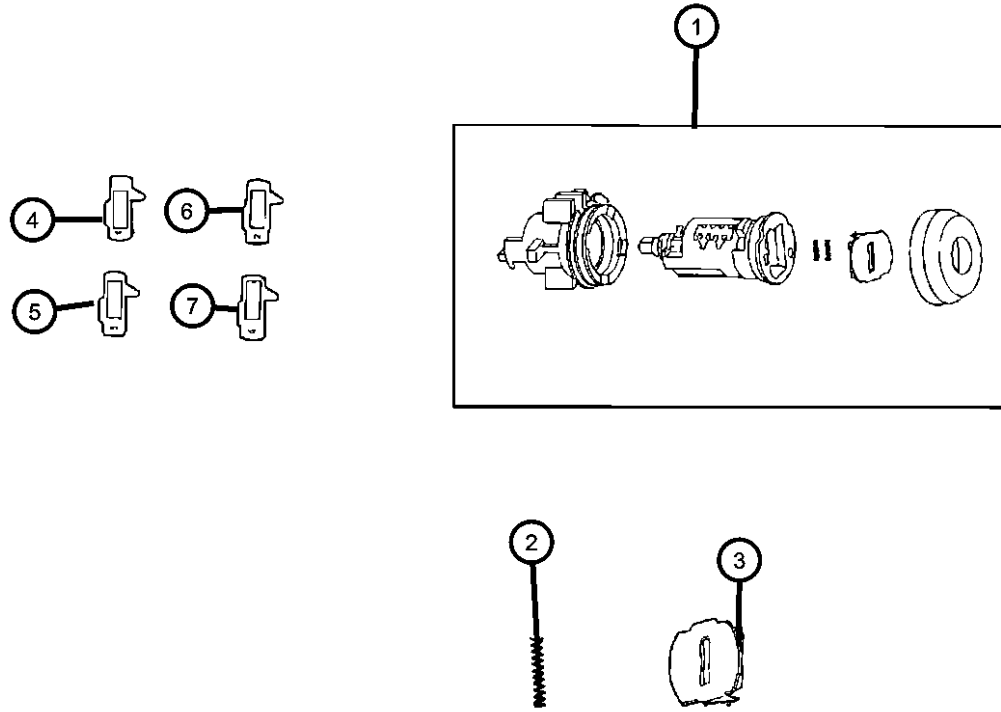
2011 WK

**Door Lock Cylinder
Figure 30-150**

ITEM	PART NUMBER	QTY	LINE	SERIES	BODY	ENGINE	TRANS	TRIM	DESCRIPTION
------	-------------	-----	------	--------	------	--------	-------	------	-------------

NOTE: ALL LOCK CYLINDERS ARE UNCODED

1	05139099AA	1	J, T, U		74				CYLINDER, Door Lock
2	04778121	1	J, T, U		74				SPRING, Tumbler
3	05019605AA	1	J, T, U		74				SHUTTER, Lock Cylinder
4	04778117AB	1	J, T, U		74				TUMBLER, Number 1
5	04778118AB	1	J, T, U		74				TUMBLER, Number 2
6	04778119AB	1	J, T, U		74				TUMBLER, Number 3
7	04778120AB	1	J, T, U		74				TUMBLER, Number 4



GRAND CHEROKEE (WK)

SERIES LINE
H = HIGHLINE T = JEEP - 2WD
P = PREMIUM J = JEEP - 4WD
S = SPORT U = JEEP - 4WD (RHD)

BODY
74 = SPORT UTILITY 4-DR
TYPE #4

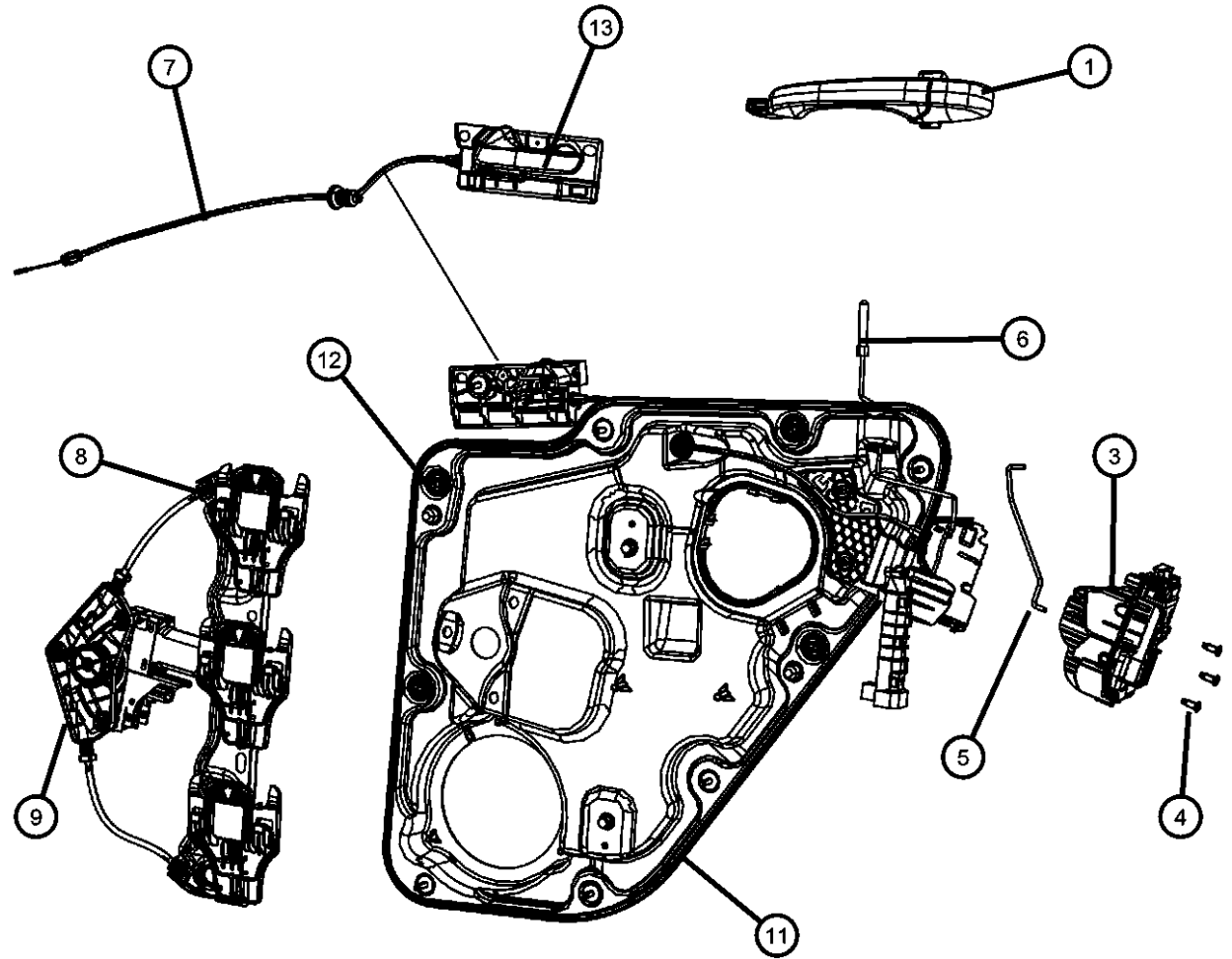
ENGINE
ERB = 3.XL Mid V6 Engine
EZH = 5.7L V8 HEMI MDS
VVT Engine
EXF = 3.0L V6 Turbo Diesel
Engine

TRANSMISSION
DGQ = 5-Spd Automatic 545RFE
Transmission
DGJ = 5-Speed Auto W5A580
Transmission

AR = use ase required - = Non illustrated part

2011 WK

Rear Door, Hardware Components
Figure 30-225



ITEM	PART NUMBER	QTY	LINE	SERIES	BODY	ENGINE	TRANS	TRIM	DESCRIPTION
1									HANDLE, Exterior Door
	1MW30ARHAD	1	J, T, U		74				[RH], [MNK], Right
	1MW30AXRAD	1	J, T, U		74				[XR], [MNK], Right
	1MW30GT-WAD	1	J, T, U		74				[TW], [MNK], Right
	1MW30HAVAD	1	J, T, U		74				[AV], [MNK], Right
	1MW30HB-VAD	1	J, T, U		74				[BV], [MNK], Right
	1MW30HWLAD	1	J, T, U		74				[WL], [MNK], Right
	1SP27ARHAB	1	J, T, U		74				[RH], [MNK], Left
	1SP27AXRAB	1	J, T, U		74				[XR], [MNK], Left
	1SP27SW1AB	1	J, T, U		74				[W1], [MNK], Left
	1SP27WS2AB	1	J, T, U		74				[S2], [MNK], Left
	55113686AD	1	J, T, U		74				[MNC], Right
	68078959AB	1	J, T, U		74				[MNC], Left
	1MW30SW1AD	1	J, T, U		74				[W1], [MNK], Right
	1MW30WS2AD	1	J, T, U		74				[S2], [MNK], Right
	1SP27HBVAB	1	J, T, U		74				[BV], [MNK], Left
	1SP27HWLAB	1	J, T, U		74				[WL], [MNK], Left
	1SP27GT-WAB	1	J, T, U		74				[TW], [MNK], Left
	1SP27HAVAB	1	J, T, U		74				[AV], [MNK], Left
-2	06508074AA	1	J, T, U		74				SCREW, Tapping, Door handle attaching
3									LATCH, Rear Door
	04589922AB	1	J, T, U		74				[X82], [JPB] Without [LS9], Right
	04589923AB	1	J, T, U		74				[X82], [JPB] Without [LS9], Left
4	06509508AA	3	J, T, U		74				SCREW, Oval Head, M6X1.00X17.50
5									LINK, Outside Handle To Latch, Rear Door
	55113500AB	1	J, T, U		74				Right
	55113501AB	1	J, T, U		74				Left
6									ROD, Lock, Rear Door
	68079298AA	1	J, T, U		74				[X82], Right
	68079299AA	1	J, T, U		74				[X82], Left
7	68079301AA	1	J, T, U		74				CABLE, Inside Handle To Latch, Rear Door, [X82]
8									REGULATOR, Rear Door Window

GRAND CHEROKEE (WK)

SERIES LINE
H = HIGHLINE T = JEEP - 2WD
P = PREMIUM J = JEEP - 4WD
S = SPORT U = JEEP - 4WD (RHD)

BODY
74 = SPORT UTILITY 4-DR
TYPE #4

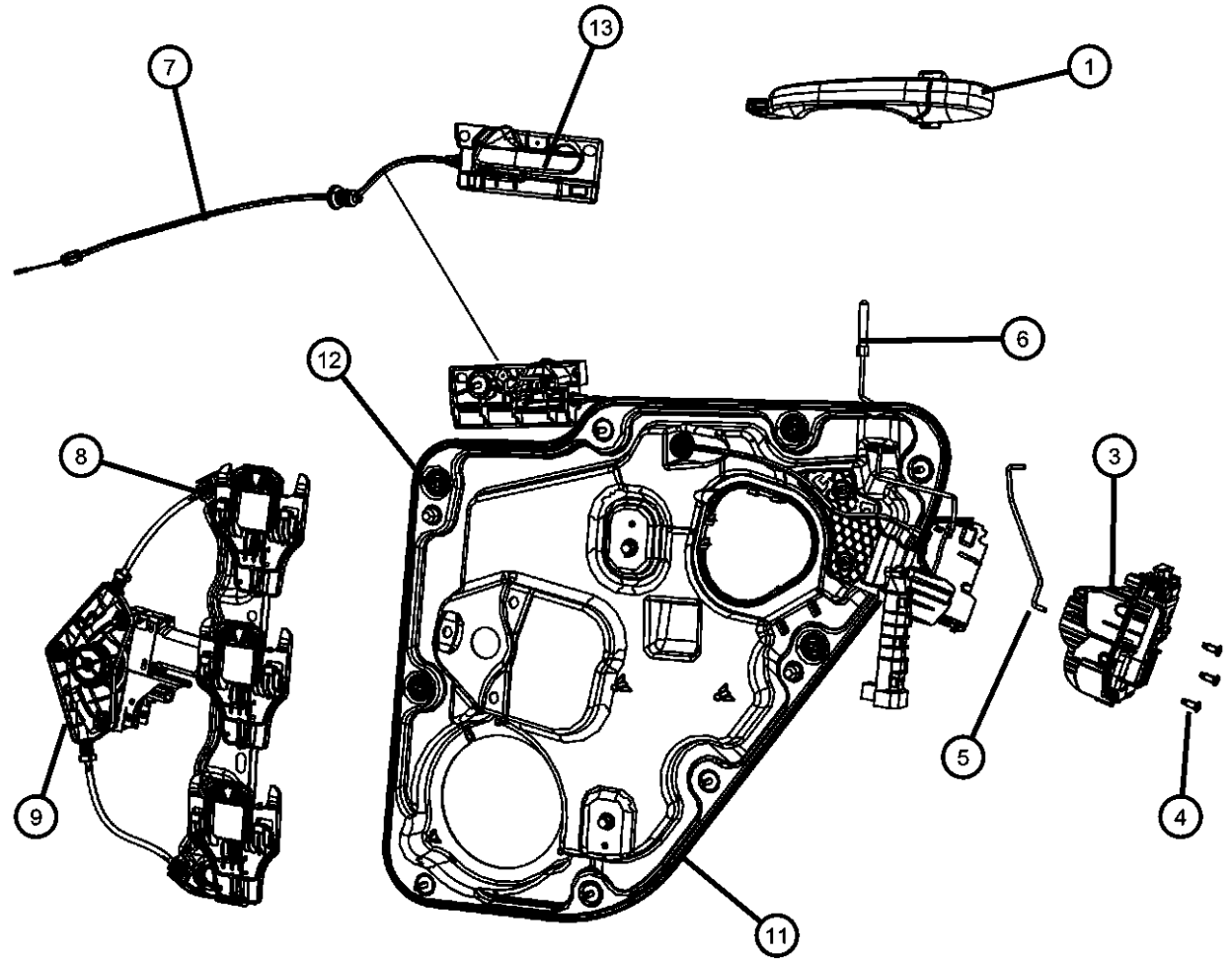
ENGINE
ERB = 3.0L Mid V6 Engine
EZH = 5.7L V8 HEMI MDS
VVT Engine
EXF = 3.0L V6 Turbo Diesel
Engine

TRANSMISSION
DGQ = 5-Spd Automatic 545RFE
Transmission
DGJ = 5-Speed Auto W5A580
Transmission

AR = use ase required - = Non illustrated part

2011 WK

Rear Door, Hardware Components
Figure 30-225



ITEM	PART NUMBER	QTY	LINE	SERIES	BODY	ENGINE	TRANS	TRIM	DESCRIPTION
	68079288AA	1	J, T, U		74				[X82], Right
	68079289AA	1	J, T, U		74				[X82], Left
9									MOTOR, Window Regulator, Rear Door
	68079284AA	1	J, T, U		74				[X82], Right
	68079285AA	1	J, T, U		74				[X82], Left
-10	68043877AA	3	J, T, U		74				SCREW, Window Motor, [X82]
11									PANEL, Carrier Plate, Rear Door
	68079292AA	1	J, T, U		74				[X82], Right
	68079293AA	1	J, T, U		74				[X82], Left
12	04560219AA	1	J, T, U		74				CLIP
13									HANDLE, Door Interior
	68079302AA	1	J, T, U		74				Right
	68079303AA	1	J, T, U		74				Left

GRAND CHEROKEE (WK)

SERIES LINE
H = HIGHLINE T = JEEP - 2WD
P = PREMIUM J = JEEP - 4WD
S = SPORT U = JEEP - 4WD (RHD)

BODY
74 = SPORT UTILITY 4-DR
TYPE #4

ENGINE
ERB = 3.0L Mid V6 Engine
EZH = 5.7L V8 HEMI MDS
VVT Engine
EXF = 3.0L V6 Turbo Diesel
Engine

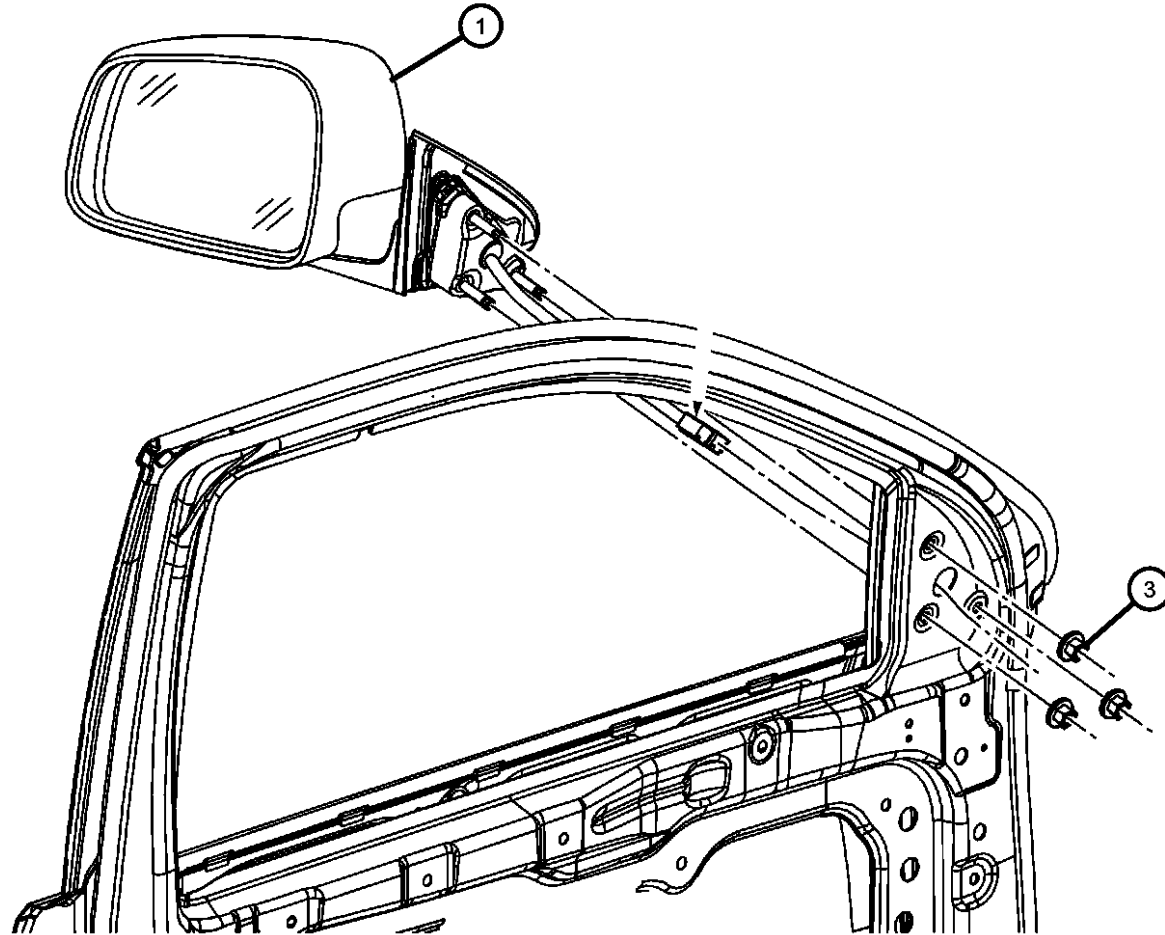
TRANSMISSION
DGQ = 5-Spd Automatic 545RFE
Transmission
DGJ = 5-Speed Auto W5A580
Transmission

AR = use ase required - = Non illustrated part

Mirror, Exterior
Figure 30-505

ITEM	PART NUMBER	QTY	LINE	SERIES	BODY	ENGINE	TRANS	TRIM	DESCRIPTION
------	-------------	-----	------	--------	------	--------	-------	------	-------------

Sales Codes:
 [GTN]= Power Mirrors, Fold-Away
 [GTS]= Power Heated Mirrors, Fold-Away
 [GUK]= Power Heated Mirrors, Fold-Away
 [GUQ]= Power Folding Multi-Functional Mirrors
 [GUT]= Power Heated Memory, Fold



ITEM	PART NUMBER	QTY	LINE	SERIES	BODY	ENGINE	TRANS	TRIM	DESCRIPTION
1									MIRROR, Outside Rearview
	1JR97HGNAE	1	J, T, U		74				[GU5], [GN], Left
	1JR97HWLAE	1	J, T, U		74				[GU5], [WL], Left
	1JR97SW1AE	1	J, T, U		74				[GU5], [W1], Left
	1JR97WS2AE	1	J, T, U		74				[GU5], [S2], Left
	1JS00HGNAE	1	J, T, U		74				[GU5], [GN], Right
	1JS00HWLAE	1	J, T, U		74				[GU5], [WL], Right
	1JS00SW1AE	1	J, T, U		74				[GU5], [W1], Right
	1JN83AXRAF	1	J, T, U		74				[GYC], [XR] Without [XAN], Left
	1JN83HAVAF	1	J, T, U		74				[GYC], [AV] Without [XAN], Left
	1JN83HBVAF	1	J, T, U		74				[GYC], [BV] Without [XAN], Left
	1JS00AXRAE	1	J, T, U		74				[GU5], [XR], Right
	1JS00HVAE	1	J, T, U		74				[GU5], [AV], Right
	1JS00HBVAE	1	J, T, U		74				[GU5], [BV], Right
	1JN83HGNAF	1	J, T, U		74				[GYC], [GN] Without [XAN], Left
	1JN83HWLAF	1	J, T, U		74				[GYC], [WL] Without [XAN], Left
	1JN83SW1AF	1	J, T, U		74				[GYC], [W1] Without [XAN], Left
	1JN83WS2AF	1	J, T, U		74				[GYC], [S2] Without [XAN], Left
	1JN86HAVAF	1	J, T, U		74				[GYC], [AV] Without [XAN], Right
	1JN86HBVAF	1	J, T, U		74				[GYC], [BV] Without [XAN], Right
	1JN86HGNAF	1	J, T, U		74				[GYC], [GN] Without [XAN], Right
	1JN86GT-WAD	1	J, T, U		74				[GYC], [TW] Without [XAN], Right
	1JN86HWLAF	1	J, T, U		74				[GYC], [WL] Without [XAN], Right
	1JN86SW1AF	1	J, T, U		74				[GYC], [W1] Without [XAN], Right
	1JN86WS2AF	1	J, T, U		74				[GYC], [S2] Without [XAN], Right
	1JR97GTWAC	1	J, T, U		74				[GU5], [TW], Left
	1JS00WS2AE	1	J, T, U		74				[GU5], [S2], Right
	1NT48GTWAC	1	J, T, U		74				[GTS], [TW], Right
	1NT48HG-NAE	1	J, T, U		74				[GTS], [GN], Right

GRAND CHEROKEE (WK)

SERIES LINE
 H = HIGHLINE T = JEEP - 2WD
 P = PREMIUM J = JEEP - 4WD
 S = SPORT U = JEEP - 4WD (RHD)

BODY
 74 = SPORT UTILITY 4-DR
 TYPE #4

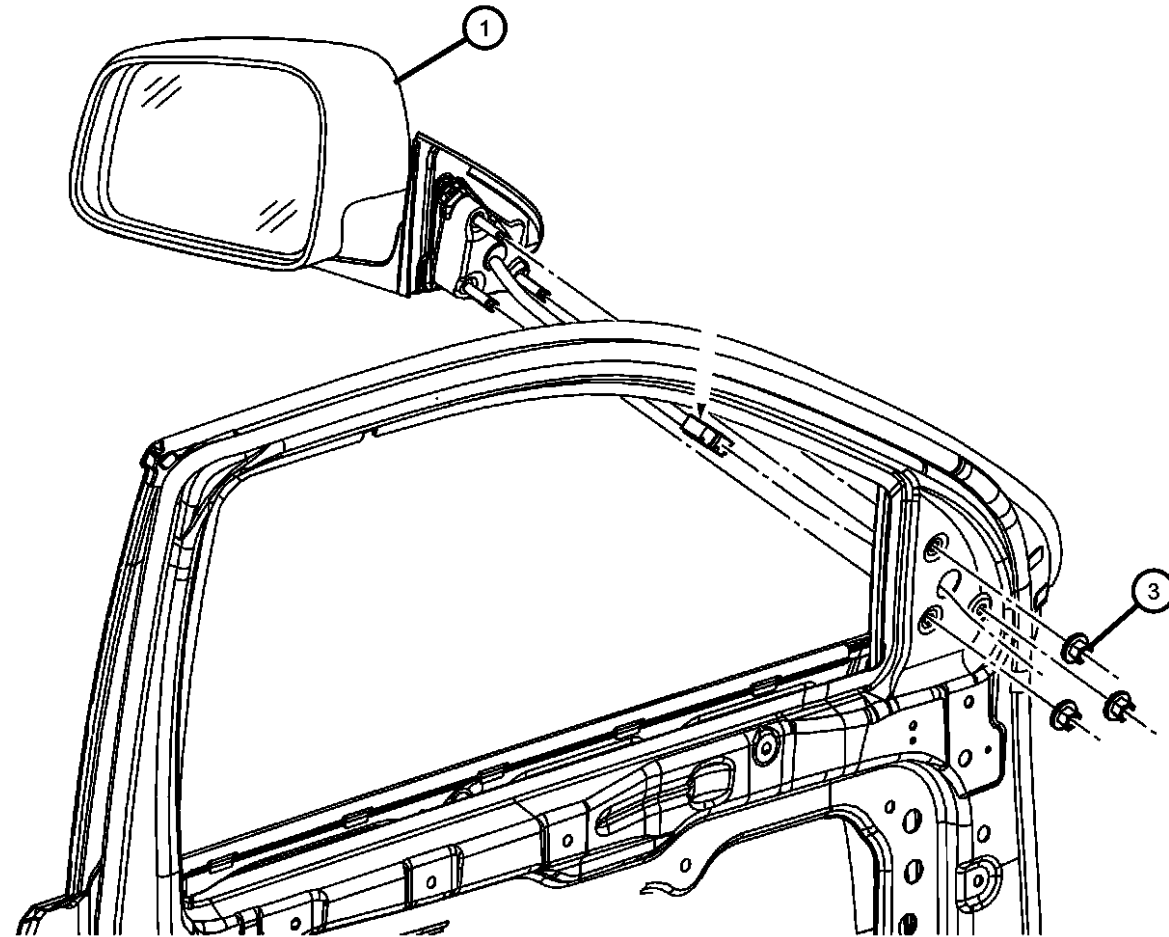
ENGINE
 ERB = 3.0L V6 Engine
 EZH = 5.7L V8 HEMI MDS
 VVT Engine
 EXF = 3.0L V6 Turbo Diesel
 Engine

TRANSMISSION
 DGQ = 5-Spd Automatic 545RFE
 Transmission
 DGJ = 5-Speed Auto W5A580
 Transmission

AR = use ase required - = Non illustrated part

2011 WK

Mirror, Exterior
Figure 30-505



ITEM	PART NUMBER	QTY	LINE	SERIES	BODY	ENGINE	TRANS	TRIM	DESCRIPTION
	1NT48HWLAE	1	J, T, U		74				[GTS], [WL], Right
	1NT48SW1AE	1	J, T, U		74				[GTS], [W1], Right
	1NT48WS2AE	1	J, T, U		74				[GTS], [S2], Right
	1NT49AXRAE	1	J, T, U		74				[GTS], [XR], Left
	1NT49HVAE	1	J, T, U		74				[GTS], [AV], Left
	1NT49HBVAE	1	J, T, U		74				[GTS], [BV], Left
	1NT49HG-NAE	1	J, T, U		74				[GTS], [GN], Left
	1NT49HWLAE	1	J, T, U		74				[GTS], [WL], Left
	1NT49SW1AE	1	J, T, U		74				[GTS], [W1], Left
	1NT49WS2AE	1	J, T, U		74				[GTS], [S2], Left
	1SZ16HWLAC	1	J, T, U		74				[GYC], [XAN], [WL], Right
	1SZ16SW1AC	1	J, T, U		74				[GYC], [XAN], [W1], Right
	1SZ16WS2AC	1	J, T, U		74				[GYC], [XAN], [S2], Right
	1SZ16ARHAC	1	J, T, U		74				[GYC], [XAN], [RH], Right
	1SZ16AXRAC	1	J, T, U		74				[GYC], [XAN], [XR], Right
	1SZ16HAVAC	1	J, T, U		74				[GYC], [XAN], [AV], Right
	1SZ16HBVAC	1	J, T, U		74				[GYC], [XAN], [BV], Right
	1SZ16HGNAC	1	J, T, U		74				[GYC], [XAN], [GN], Right
	1SZ17ARHAC	1	J, T, U		74				[GYC], [XAN], [RH], Left
	1SZ17AXRAC	1	J, T, U		74				[GYC], [XAN], [XR], Left
	1SZ17HAVAC	1	J, T, U		74				[GYC], [XAN], [AV], Left
	1SZ17HBVAC	1	J, T, U		74				[GYC], [XAN], [BV], Left
	1SZ17HGNAC	1	J, T, U		74				[GYC], [XAN], [GN], Left
	1SZ17HWLAC	1	J, T, U		74				[GYC], [XAN], [WL], Left
	1SZ17SW1AC	1	J, T, U		74				[GYC], [XAN], [W1], Left
	1SZ17WS2AC	1	J, T, U		74				[GYC], [XAN], [S2], Left
	57010704AE	1	J, T, U		74				[GUQ] Without [XAN], Right
	57010705AE	1	J, T, U		74				[GUQ] Without [XAN], Left
	57010706AE	1	J, T, U		74				[GUQ], [XAN], Right
	57010707AE	1	J, T, U		74				[GUQ], [XAN], Left
	1NT48HVAE	1	J, T, U		74				[GTS], [AV], Right
	1NT48HBVAE	1	J, T, U		74				[GTS], [BV], Right
	1NT48ARHAE	1	J, T, U		74				[GTS], [RH], Right

GRAND CHEROKEE (WK)

SERIES LINE
H = HIGHLINE T = JEEP - 2WD
P = PREMIUM J = JEEP - 4WD
S = SPORT U = JEEP - 4WD (RHD)

BODY
74 = SPORT UTILITY 4-DR
TYPE #4

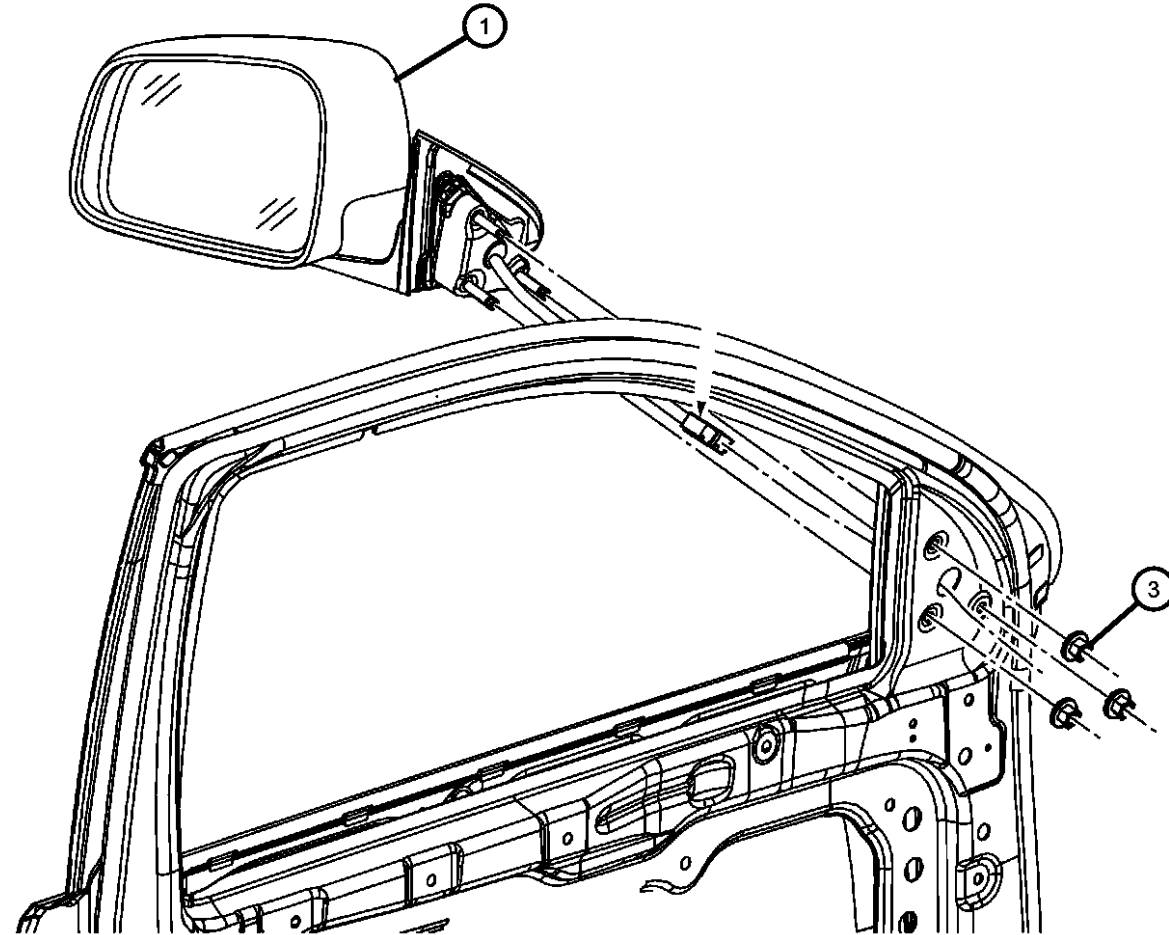
ENGINE
ERB = 3.0L Mid V6 Engine
EZH = 5.7L V8 HEMI MDS
VVT Engine
EXF = 3.0L V6 Turbo Diesel
Engine

TRANSMISSION
DGQ = 5-Spd Automatic 545RFE
Transmission
DGJ = 5-Speed Auto W5A580
Transmission

AR = use ase required - = Non illustrated part

2011 WK

Mirror, Exterior
Figure 30-505



ITEM	PART NUMBER	QTY	LINE	SERIES	BODY	ENGINE	TRANS	TRIM	DESCRIPTION
	1NT48AXRAE	1	J, T, U		74				[GTS], [XR], Right
	1NT49GTWAC	1	J, T, U		74				[GTS], [TW], Left
	1NT49ARHAE	1	J, T, U		74				[GTS], [RH], Left
	1JN83GT-WAD	1	J, T, U		74				[GYC], [TW] Without [XAN], Left
	1JN83ARHAF	1	J, T, U		74				[GYC], [RH] Without [XAN], Left
	1JN86ARHAF	1	J, T, U		74				[GYC], [RH] Without [XAN], Right
	1JN86AXRAF	1	J, T, U		74				[GYC], [XR] Without [XAN], Right
	1JR97AXRAE	1	J, T, U		74				[GU5], [XR], Left
	1JR97ARHAE	1	J, T, U		74				[GU5], [RH], Left
	1JR97HAVAE	1	J, T, U		74				[GU5], [AV], Left
	1JR97HBVAE	1	J, T, U		74				[GU5], [BV], Left
	1JS00GTWAC	1	J, T, U		74				[GU5], [TW], Right
	1JS00ARHAE	1	J, T, U		74				[GU5], [RH], Right
-2									GLASS, Mirror Replacement
	05182330AA	1	J, T, U		74				[GTS], [ABD], Right
	05182331AA	1	J, T, U		74				[GTS], [ABD], Left
	68082632AA	1	J, T, U		74				[GUQ] Without [XAN], Right
	68082636AA	1	J, T, U		74				[GTS], Right
	68082637AA	1	J, T, U		74				[GTS], Left
	68082642AA	1	J, T, U		74				[GYC], Right
	68082633AA	1	J, T, U		74				[GUQ] Without [XAN], Left
	68082634AA	1	J, T, U		74				[GUQ], [XAN], Right
	68082639AA	1	J, T, U		74				[GYC], [XAN], Left
	68082640AA	1	J, T, U		74				[GU5], Right
	68082638AA	1	J, T, U		74				[GYC], [XAN], Right
	68082635AA	1	J, T, U		74				[GUQ], [XAN], Left
	68082643AA	1	J, T, U		74				[GYC], Left
	68082641AA	1	J, T, U		74				[GU5], Left
3	06102398AA	3	J, T, U		74				NUT, Hex

GRAND CHEROKEE (WK)

SERIES LINE
H = HIGHLINE T = JEEP - 2WD
P = PREMIUM J = JEEP - 4WD
S = SPORT U = JEEP - 4WD (RHD)

BODY
74 = SPORT UTILITY 4-DR
TYPE #4

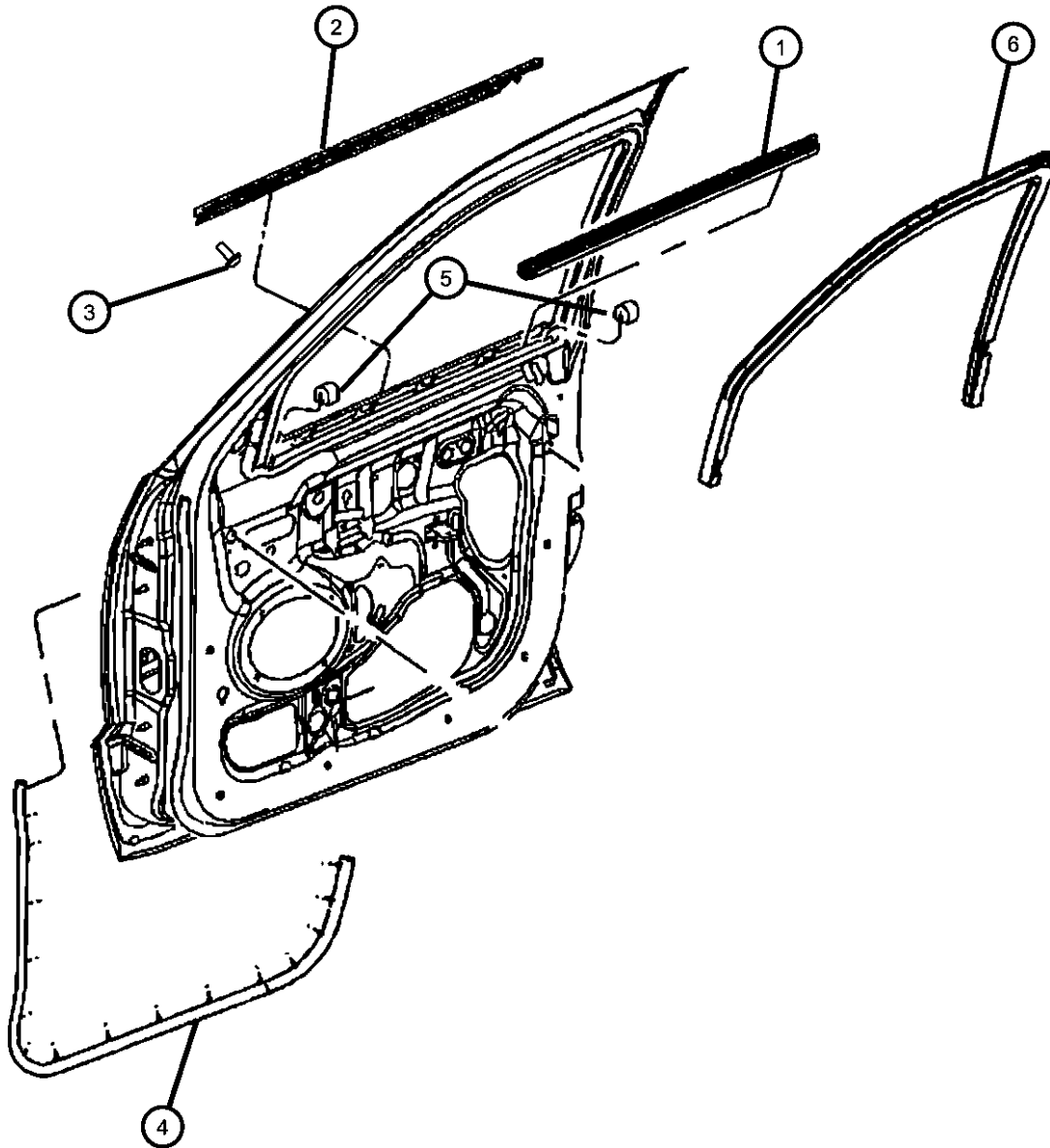
ENGINE
ERB = 3.0L Mid V6 Engine
EZH = 5.7L V8 HEMI MDS
VVT Engine
EXF = 3.0L V6 Turbo Diesel
Engine

TRANSMISSION
DGQ = 5-Spd Automatic 545RFE
Transmission
DGJ = 5-Speed Auto W5A580
Transmission

AR = use ase required - = Non illustrated part

2011 WK

Weatherstrips, Front Door
Figure 30-605



ITEM	PART NUMBER	QTY	LINE	SERIES	BODY	ENGINE	TRANS	TRIM	DESCRIPTION
1									WEATHERSTRIP, Front Door Belt Inner, Inner
	55399208AA	1	J, T, U		74				Right
	55399209AA	1	J, T, U		74				Left
2									WEATHERSTRIP, Front Door Belt Outer
	55399291AB	1	J, T, U		74				Left
	55399290AB	1	J, T, U		74				Right
3	06104625AA	1	J, T, U		74				SCREW, Outer Belt Attaching
4									WEATHERSTRIP, Front Door Opening
	55399213AB	1	J, T, U		74				Left
	55399212AB	1	J, T, U		74				Right
5		1							SEAL, (NOT SERVICED)
6									WEATHERSTRIP, Front Door Glass Run
	55399190AD	1	J, T, U		74				Right
	55399191AD	1	J, T, U		74				Left

GRAND CHEROKEE (WK)

SERIES LINE
H = HIGHLINE T = JEEP - 2WD
P = PREMIUM J = JEEP - 4WD
S = SPORT U = JEEP - 4WD (RHD)

BODY
74 = SPORT UTILITY 4-DR TYPE #4

ENGINE
ERB = 3.0L Mid V6 Engine
EZH = 5.7L V8 HEMI MDS VVT Engine
EXF = 3.0L V6 Turbo Diesel Engine

TRANSMISSION
DGQ = 5-Spd Automatic 545RFE Transmission
DGJ = 5-Speed Auto W5A580 Transmission

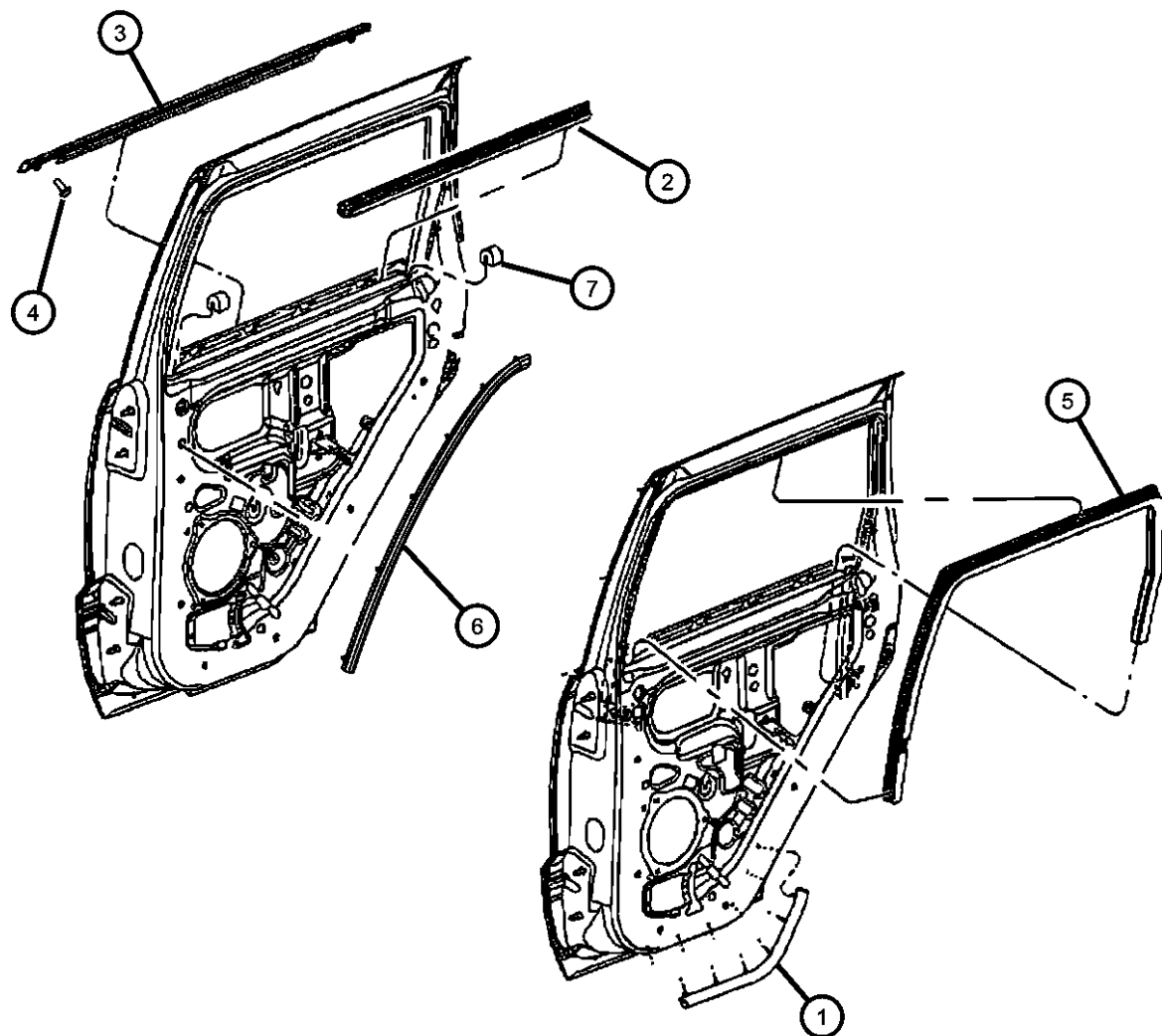
AR = use ase required - = Non illustrated part

2011 WK

Weatherstrips, Rear Door
Figure 30-625

ITEM	PART NUMBER	QTY	LINE	SERIES	BODY	ENGINE	TRANS	TRIM	DESCRIPTION
------	-------------	-----	------	--------	------	--------	-------	------	-------------

NOTES: Sales Codes:
 [MMG] = Belt Moldings
 [MMS] = Bright Belt Moldings



1									WEATHERSTRIP, Rear Door Opening
	55399214AC	1	J, T, U		74				Right
	55399215AC	1	J, T, U		74				Left
2									WEATHERSTRIP, Rear Door Belt Inner, Inner
	55399210AA	1	J, T, U		74				Right
	55399211AA	1	J, T, U		74				Left
3									WEATHERSTRIP, Rear Door Belt Outer, Outer
	55399292AB	1	J, T, U		74				Right
	55399293AB	1	J, T, U		74				Left
4	06104625AA	2	J, T, U		74				SCREW
5									WEATHERSTRIP, Rear Door Glass Run
	55399189AD	1	J, T, U		74				Left
	55399188AD	1	J, T, U		74				Right
6									SEAL, Rear Door
	68036674AB	1	J, T, U		74				Right
	68036675AB	1	J, T, U		74				Left
7		1							SEAL, Foam, (NOT SERVICED)

GRAND CHEROKEE (WK)

SERIES LINE
 H = HIGHLINE T = JEEP - 2WD
 P = PREMIUM J = JEEP - 4WD
 S = SPORT U = JEEP - 4WD (RHD)

BODY
 74 = SPORT UTILITY 4-DR
 TYPE #4

ENGINE
 ERB = 3.0L Mid V6 Engine
 EZH = 5.7L V8 HEMI MDS
 VVT Engine
 EXF = 3.0L V6 Turbo Diesel
 Engine

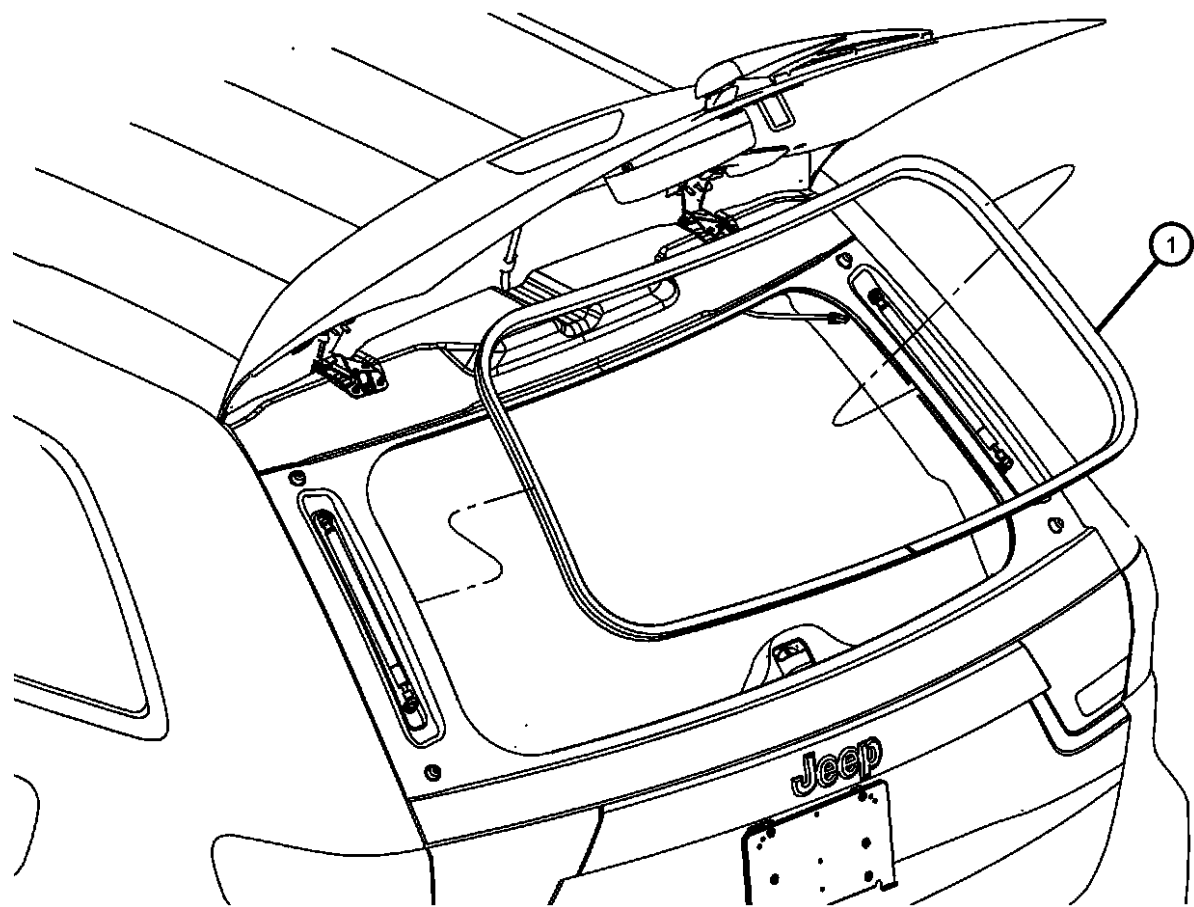
TRANSMISSION
 DGQ = 5-Spd Automatic 545RFE
 Transmission
 DGJ = 5-Speed Auto W5A580
 Transmission

AR = use ase required - = Non illustrated part

2011 WK

Weatherstrips, Liftgate
Figure 30-665

ITEM	PART NUMBER	QTY	LINE	SERIES	BODY	ENGINE	TRANS	TRIM	DESCRIPTION
1	55399181AC	1	J, T, U		74				WEATHERSTRIP, Liftgate Glass



GRAND CHEROKEE (WK)

SERIES LINE
H = HIGHLINE T = JEEP - 2WD
P = PREMIUM J = JEEP - 4WD
S = SPORT U = JEEP - 4WD (RHD)

BODY
74 = SPORT UTILITY 4-DR
TYPE #4

ENGINE
ERB = 3.0L Mid V6 Engine
EZH = 5.7L V8 HEMI MDS
VVT Engine
EXF = 3.0L V6 Turbo Diesel
Engine

TRANSMISSION
DGQ = 5-Spd Automatic 545RFE
Transmission
DGJ = 5-Speed Auto W5A580
Transmission

AR = use ase required - = Non illustrated part

2011 WK

Liftgate
Figure 30-705

ITEM	PART NUMBER	QTY	LINE	SERIES	BODY	ENGINE	TRANS	TRIM	DESCRIPTION
1	55369603AD	1	J, T, U		74				PANEL, Liftgate
2									SENSOR, Pinch
	55113630AA	1	J, T, U		74				[JRC], Right
	55113631AA	1	J, T, U		74				[JRC], Left
3	04860222	2	J, T, U		74				PLUG
4	06508306AA	2	J, T, U		74				STUD, M8x1.25x44.80
5	04860873AD	2	J, T		74				BUMPER, Liftgate
6	06036701AA	4	J, T		74				RIVET
7	04589648AB	1	J, T, U		74				LATCH, Liftgate Glass
8	06503102	2	J, T, U		74				NUT AND WASHER, Hex Nut-Coned Washer, M6 x 1.00
9									BRACKET
	68065878AE	1	J, T, U		74				Right
	68065879AE	1	J, T, U		74				Left
-10	06509367AA	2	J, T, U		74				NUT, M6x1.00
11	06507684AA	1	J, T, U		74				NUT AND WASHER, Hex, M6x1
12	05253192	4	J, T		74				BUMPER, Hood
13									SUPPORT, LIFTGATE GAS CYLINDER
	68083884AA	1	J, T, U		74				[GEP], Right
	68083885AA	1	J, T, U		74				[GEP], Left
14	06509474AA	2	J, T, U		74				STUD
15	55399277AB	1	J, T, U		74				MOTOR AND GEAR, Power Liftgate, [JRC]
16									PROP, Liftgate
	55113633AA	1	J, T, U		74				Without [JRC], Left
	68079364AB	1	J, T, U		74				[JRC],
	55113632AA	1	J, T, U		74				Without [JRC], Right
17	06508306AA	2	J, T, U		74				STUD, M8x1.25x44.80
18	06509475AA	2	J, T, U		74				STUD
19	04780615AB	1	J, T		74				PLUG, Body, .75 Diameter
20									HINGE, Liftgate
	55113562AE	1	J, T, U		74				Right
	55113563AE	1	J, T, U		74				Left
-21	06104386AA	2	J, T, U		74				BOLT AND WASHER, Hex Head, M8X1.25X25.00
-22	06502979	2	J, T, U		74				NUT AND WASHER, Hex, M10x1.5

GRAND CHEROKEE (WK)

SERIES LINE
H = HIGHLINE T = JEEP - 2WD
P = PREMIUM J = JEEP - 4WD
S = SPORT U = JEEP - 4WD (RHD)

BODY
74 = SPORT UTILITY 4-DR
TYPE #4

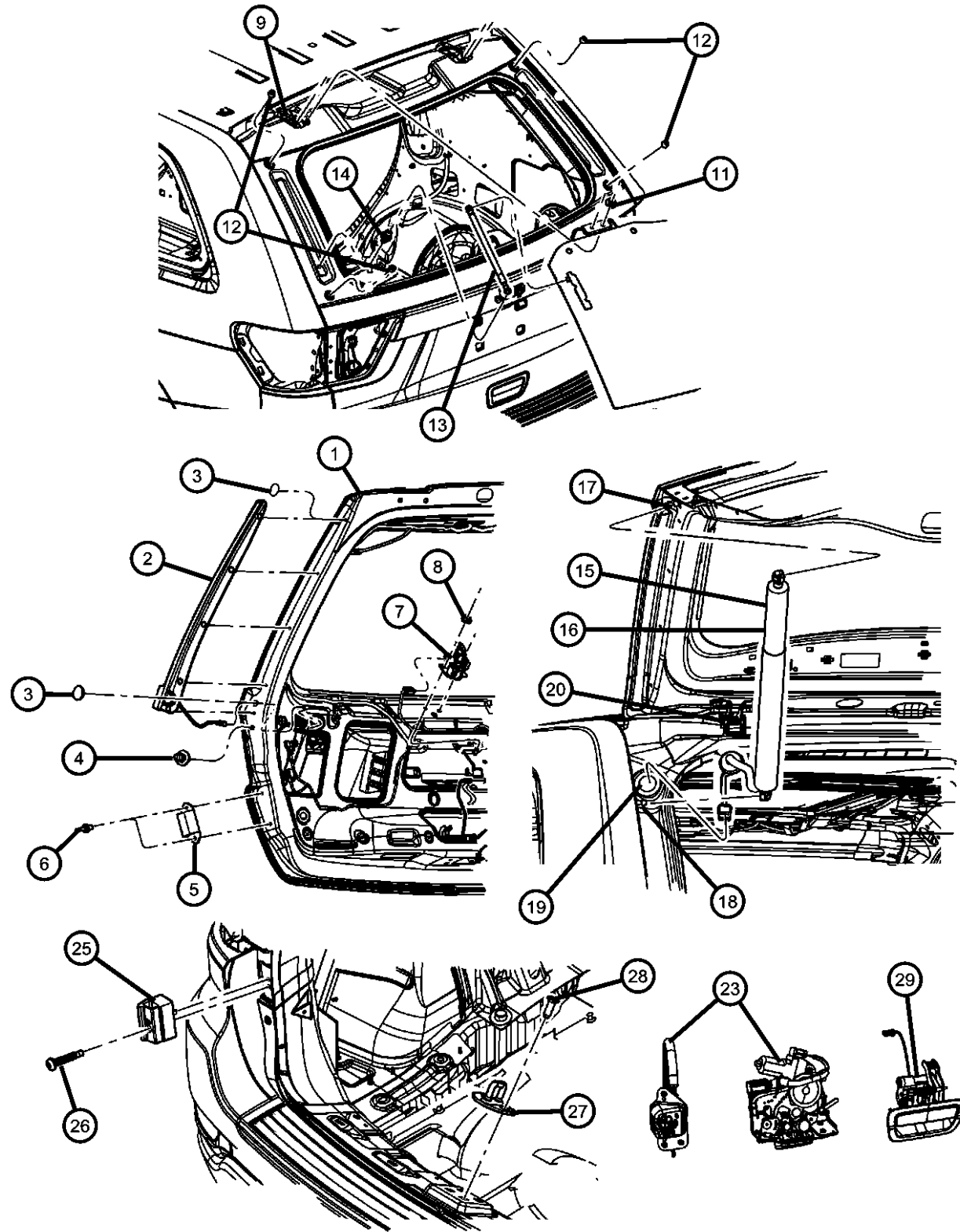
ENGINE
ERB = 3.0L V6 Engine
EZH = 5.7L V8 HEMI MDS
VVT Engine
EXF = 3.0L V6 Turbo Diesel
Engine

TRANSMISSION
DGQ = 5-Spd Automatic 545RFE
Transmission
DGJ = 5-Speed Auto W5A580
Transmission

AR = use ase required - = Non illustrated part

2011 WK

Liftgate
Figure 30-705



ITEM	PART NUMBER	QTY	LINE	SERIES	BODY	ENGINE	TRANS	TRIM	DESCRIPTION
23	04589656AB	1	J, T, U		74				LATCH, Liftgate [JRC]
	04589131AF	1	J, T, U		74				Without [JRC]
-24	06508611AA	3	J, T, U		74				SCREW, LARGE ROUND WASHER HEAD LOCK, M6X1.00X22.00
25	05109694AA	2	J, T		74				BUMPER, Rubber
26	06504432	2	J, T		74				SCREW, Pan Head, M6-1.00x29.00
27	55364520AA	1	J, T		74				STRIKER, Liftgate
28	06503533	2	J, T, U		74				SCREW, Flange Head, M8x1.25x26
29									HANDLE, Liftgate
	1NC26ARHAD	1	J, T, U		74				[RH] Without [JRC]
	1NC26AXRAD	1	J, T, U		74				[XR] Without [JRC]
	1NC38ARHAD	1	J, T, U		74				[RH], [JRC]
	1NC38AXRAD	1	J, T, U		74				[XR], [JRC]
	1NC26HAVAD	1	J, T, U		74				[AV] Without [JRC]
	1NC26HB-VAD	1	J, T, U		74				[BV] Without [JRC]
	1NC26HG-NAD	1	J, T, U		74				[GN] Without [JRC]
	1NC26HWLAD	1	J, T, U		74				[WL] Without [JRC]
	1NC26SW1AD	1	J, T, U		74				[W1] Without [JRC]
	1NC26WS2AD	1	J, T, U		74				[S2] Without [JRC]
	1NC38HAVAD	1	J, T, U		74				[AV], [JRC]
	1NC38HB-VAD	1	J, T, U		74				[BV], [JRC]
	1NC38HG-NAD	1	J, T, U		74				[GN], [JRC]
	1NC38HWLAD	1	J, T, U		74				[WL], [JRC]
	1NC38SW1AD	1	J, T, U		74				[W1], [JRC]
	1NC38WS2AD	1	J, T, U		74				[S2], [JRC]
-30	06503856	2	J, T, U		74				NUT AND WASHER, Hex, M6X1.00

GRAND CHEROKEE (WK)

SERIES LINE
H = HIGHLINE T = JEEP - 2WD
P = PREMIUM J = JEEP - 4WD
S = SPORT U = JEEP - 4WD (RHD)

BODY
74 = SPORT UTILITY 4-DR
TYPE #4

ENGINE
ERB = 3.0L V6 Engine
EZH = 5.7L V8 HEMI MDS
VVT Engine
EXF = 3.0L V6 Turbo Diesel
Engine

TRANSMISSION
DGQ = 5-Spd Automatic 545RFE
Transmission
DGJ = 5-Speed Auto W5A580
Transmission

AR = use ase required - = Non illustrated part

2011 WK

Group - 40

Exterior Ornamentation

Group - 40 Exterior Ornamentation

Illustration Title

Group-Fig. No.

Nameplates

Nameplates, Emblems & MedallionsFig. 40 - 106

Moldings and Ornamentation

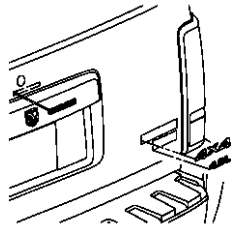
Exterior OrnamentationFig. 40 - 205

SpoilerFig. 40 - 245

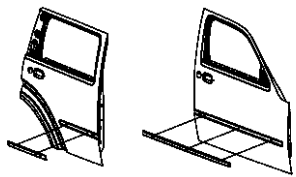
Grilles

GrillesFig. 40 - 405

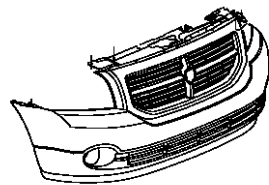
040-100
Nameplates



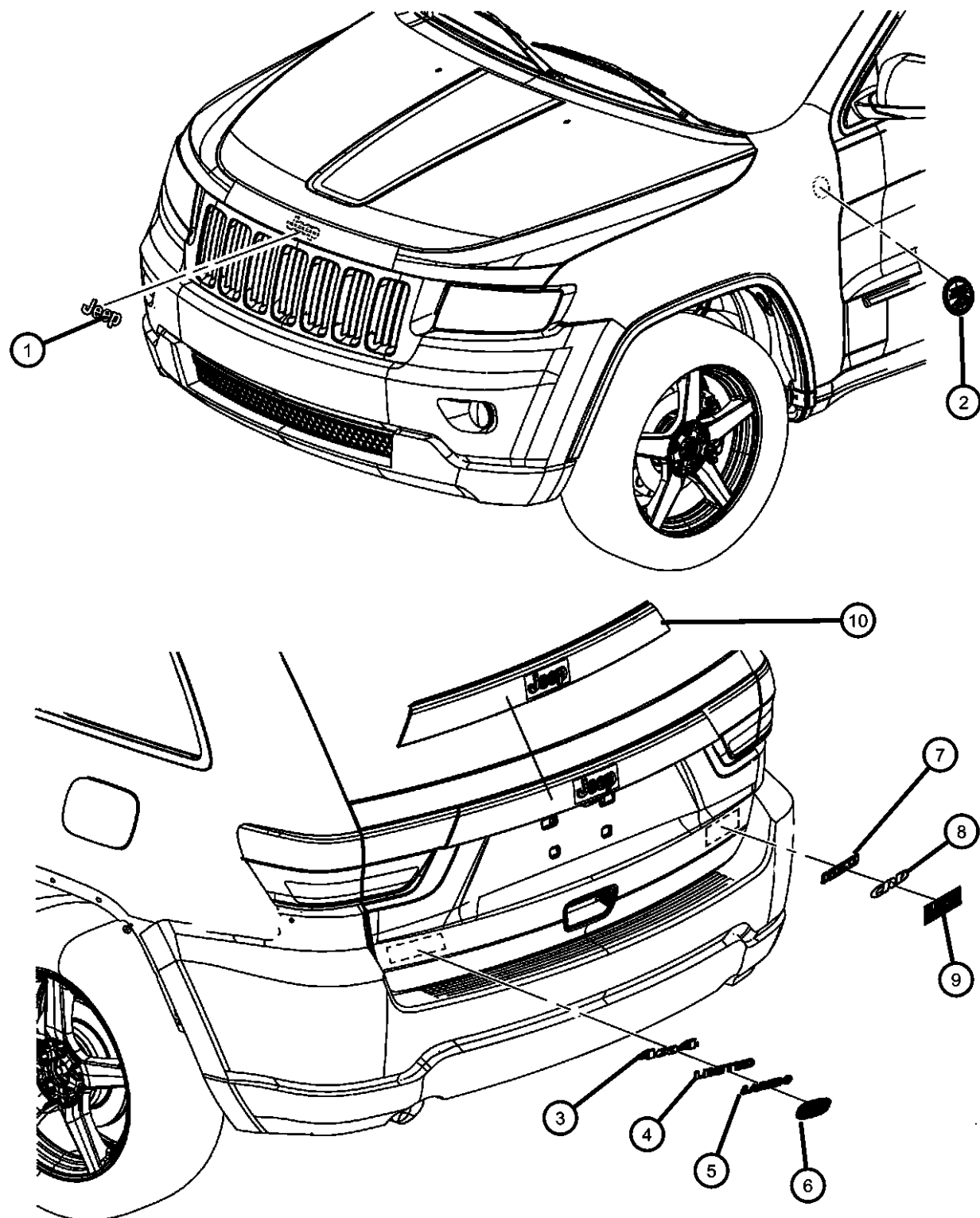
040-200
Moldings and Ornamentation



040-400
Grilles



Nameplates, Emblems & Medallions
Figure 40-106



ITEM	PART NUMBER	QTY	LINE	SERIES	BODY	ENGINE	TRANS	TRIM	DESCRIPTION
------	-------------	-----	------	--------	------	--------	-------	------	-------------

Sales Codes:

- [MT2] = Trail Rated Badge
- [MTV]= SRT8 Badge
- [MWT]= 4x4 Badge
- [MZK] = Laredo Badge
- [MZM] = Overland
- [MT5] = North Edition

1	05182390AA	1	J, T, U		74				NAMEPLATE, Jeep
2	55157318AB	1	J, T		74				MEDALLION, Trail rated
3	55157091AC	1	J, T		74				NAMEPLATE, 4x4
4	55157090AC	1	J, T, U		74				NAMEPLATE, Limited
5	55157303AE	1	J, T, U		74				NAMEPLATE, Laredo
6	55157358AA	1	J, T, U		74				NAMEPLATE, Overland
7	55079103AA	1	J, T, U		74				NAMEPLATE, HEMI
8	55157095AC	1	J, T, U		74				NAMEPLATE, CRD
9	55372784AA	1	J, T, U		74				NAMEPLATE, FLEX FUEL E85 ETHANOL
10									HANDLE, Liftgate
	55079268AF	1	J, T, U		74				[MNP] Without [XAC]
	68083083AA	1	J, T, U		74				[MNP], [XAC]
-11	68089222AA	1	J, T, U		74				NAMEPLATE, OVERLAND SUMMIT, [MZ4]
-12	68089729AA	2	J, T, U		74				NAMEPLATE, 70TH ANNIVERSARY EDITION, [MZA]

GRAND CHEROKEE (WK)

SERIES LINE
H = HIGHLINE T = JEEP - 2WD
P = PREMIUM J = JEEP - 4WD
S = SPORT U = JEEP - 4WD (RHD)

BODY
74 = SPORT UTILITY 4-DR TYPE #4

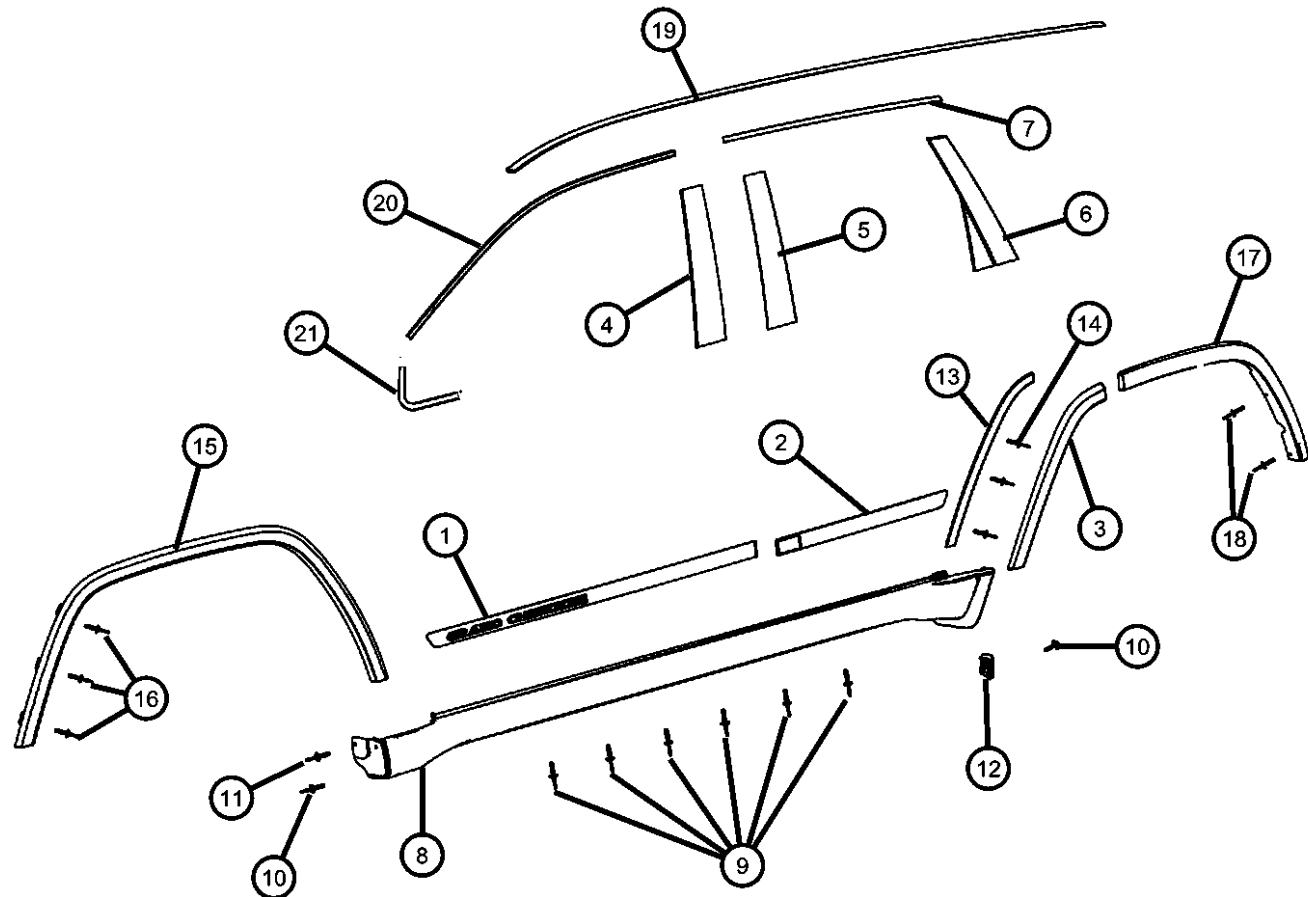
ENGINE
ERB = 3.0L Mid V6 Engine
EZH = 5.7L V8 HEMI MDS VVT Engine
EXF = 3.0L V6 Turbo Diesel Engine

TRANSMISSION
DGQ = 5-Spd Automatic 545RFE Transmission
DGJ = 5-Speed Auto W5A580 Transmission

AR = use ase required - = Non illustrated part

2011 WK

**Exterior Ornamentation
Figure 40-205**



ITEM	PART NUMBER	QTY	LINE	SERIES	BODY	ENGINE	TRANS	TRIM	DESCRIPTION
Sales Codes: [MJB]= Chrome Bodyside Molding [MTG]= Platinum Bodyside Molding									
1	55079306AD	1	J, T, U		74				MOLDING, Front Door [MJB], Right
	55079307AD	1	J, T, U		74				[MJB], Left
2	55079308AD	1	J, T, U		74				MOLDING, Rear Door [MJB], Right
	55079309AD	1	J, T, U		74				[MJB], Left
3	1MP36RX-FAC	1	J, T, U		74				MOLDING, Rear Door Wheel Flare On Door, Right
	1MP37RX-FAC	1	J, T, U		74				On Door, Left
4	57010444AB	1	J, T, U		74				APPLIQUE, Front Door Right
	57010445AB	1	J, T, U		74				Left
5	57010446AB	1	J, T, U		74				APPLIQUE, Rear Door Right
	57010447AB	1	J, T, U		74				Left
6	57010449AB	1	J, T, U		74				APPLIQUE, Rear Door Left
	57010448AB	1	J, T, U		74				Right
7	57010503AB	1	J, T, U		74				MOLDING, Rear Door Top Of Rear Door, Left
	57010502AB	1	J, T, U		74				Top Of Rear Dor, Right
8	1GV68RXFAC	1	J, T, U		74				MOLDING, Sill [K5X], Right
	1GV69RXFAC	1	J, T, U		74				[K5X], Left
9	06500911	6	J, T, U		74				RIVET, M6.25x28
10	06509414AA	1	J, T, U		74				SCREW AND WASHER, Hex Head, M6X1.00X30.00
11	06500911	6	J, T, U		74				RIVET, M6.25x28
12	06105241AA	1	J, T, U		74				NUT
13	1MZ76RXFAA	1	J, T, U		74				MOLDING, Wheel Opening Flare On Body, Right
	1MZ77RXFAA	1	J, T, U		74				On Body, Left

GRAND CHEROKEE (WK)

SERIES LINE
H = HIGHLINE T = JEEP - 2WD
P = PREMIUM J = JEEP - 4WD
S = SPORT U = JEEP - 4WD (RHD)

BODY
74 = SPORT UTILITY 4-DR
TYPE #4

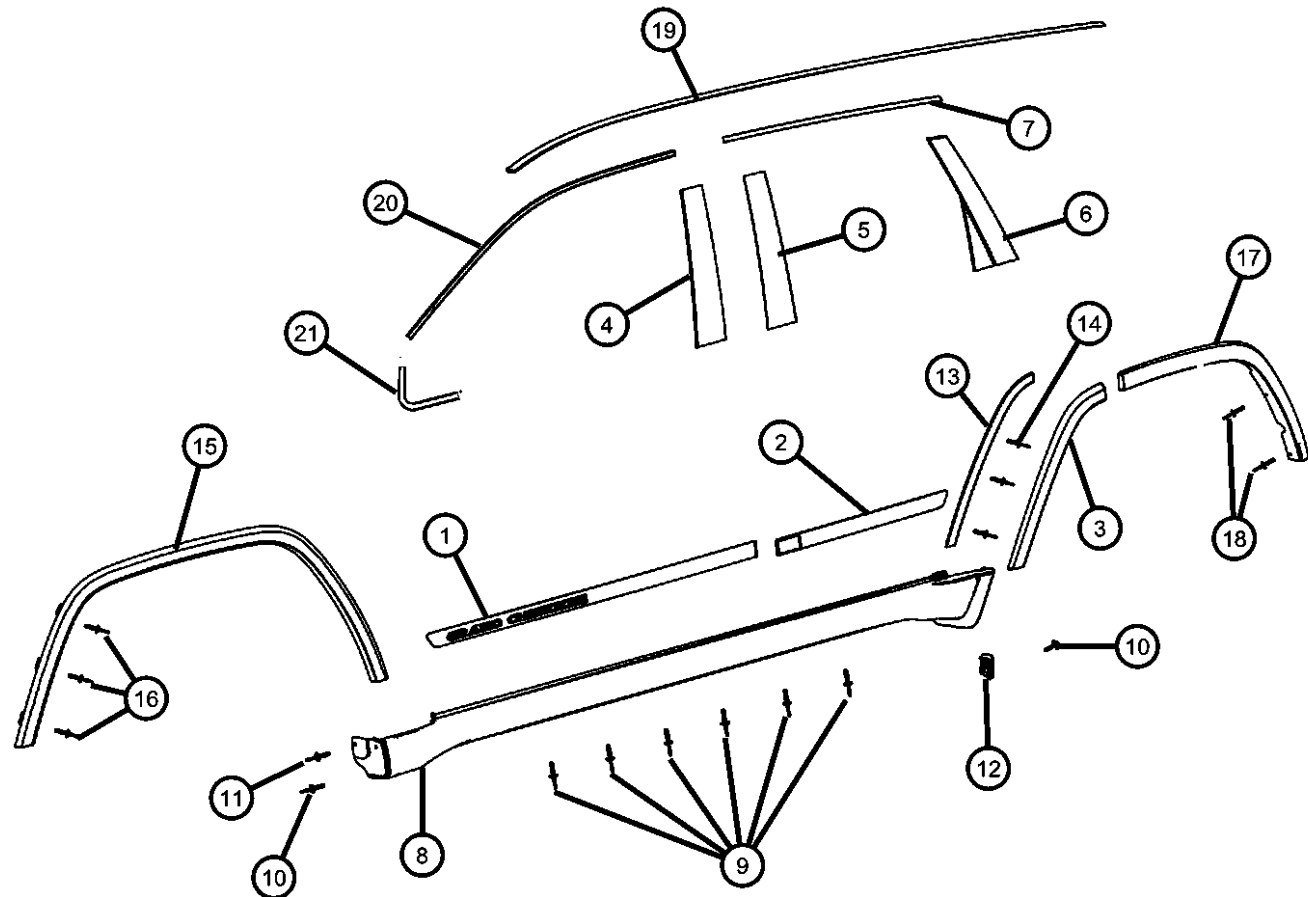
ENGINE
ERB = 3.XL Mid V6 Engine
EZH = 5.7L V8 HEMI MDS
VVT Engine
EXF = 3.0L V6 Turbo Diesel
Engine

TRANSMISSION
DGQ = 5-Spd Automatic 545RFE
Transmission
DGJ = 5-Speed Auto W5A580
Transmission

AR = use ase required - = Non illustrated part

2011 WK

Exterior Ornamentation
Figure 40-205



ITEM	PART NUMBER	QTY	LINE	SERIES	BODY	ENGINE	TRANS	TRIM	DESCRIPTION
14	06500911	3	J, T, U		74				RIVET, M6.25x28
15									MOLDING, Fender
	1MP38RX-FAC	1	J, T, U		74				Right
	1MP39RX-FAC	1	J, T, U		74				Left
16	06500911	2	J, T, U		74				RIVET, M6.25x28
17									MOLDING, Quarter Panel
	1MP35RX-FAC	1	J, T, U		74				Left
	1MP34RX-FAC	1	J, T, U		74				Right
18	06500911	2	J, T, U		74				RIVET, M6.25x28
19									MOLDING, Roof
	55079290AA	1	J, T, U		74				Right
	55079291AA	1	J, T, U		74				Left
20									MOLDING, Front Door
	57010501AC	1	J, T, U		74				[MMP], Left
	57010500AC	1	J, T, U		74				[MMP], Right
21									MOLDING, Front Door
	57010498AC	1	J, T, U		74				[MMP], Right
	57010499AC	1	J, T, U		74				[MMP], Left
-22									TAPE, Anti Chip
	68071574AB	1	J, T, U		74				Right Rear Door
	68071575AB	1	J, T, U		74				Left Rear Door

GRAND CHEROKEE (WK)

SERIES LINE
 H = HIGHLINE T = JEEP - 2WD
 P = PREMIUM J = JEEP - 4WD
 S = SPORT U = JEEP - 4WD (RHD)

BODY
 74 = SPORT UTILITY 4-DR
 TYPE #4

ENGINE
 ERB = 3.0L Mid V6 Engine
 EZH = 5.7L V8 HEMI MDS
 VVT Engine
 EXF = 3.0L V6 Turbo Diesel
 Engine

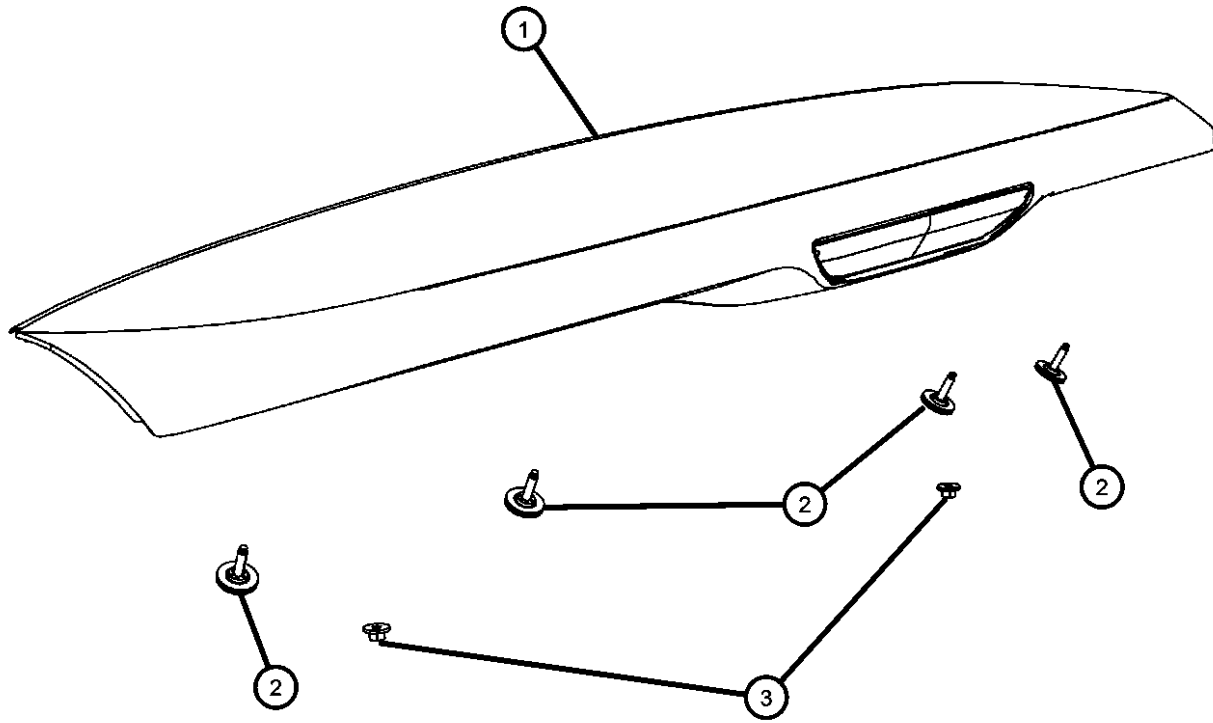
TRANSMISSION
 DGQ = 5-Spd Automatic 545RFE
 Transmission
 DGJ = 5-Speed Auto W5A580
 Transmission

AR = use ase required - = Non illustrated part

2011 WK

Spoiler
Figure 40-245

ITEM	PART NUMBER	QTY	LINE	SERIES	BODY	ENGINE	TRANS	TRIM	DESCRIPTION
1	68086312AA	1	J, T, U		74				SPOILER, Liftgate, [MXR]
2	06509532AA	4	J, T, U		74				SCREW, Special Head, M6x1.00x27.00
3	06102238AA	2	J, T, U		74				NUT, M6x1
-4	57010735AB	1	J, T, U		74				NOZZLE, Washer, Liftgate, [MXR]



GRAND CHEROKEE (WK)

SERIES LINE
H = HIGHLINE T = JEEP - 2WD
P = PREMIUM J = JEEP - 4WD
S = SPORT U = JEEP - 4WD (RHD)

BODY
74 = SPORT UTILITY 4-DR
TYPE #4

ENGINE
ERB = 3.0L Mid V6 Engine
EZH = 5.7L V8 HEMI MDS
VVT Engine
EXF = 3.0L V6 Turbo Diesel
Engine

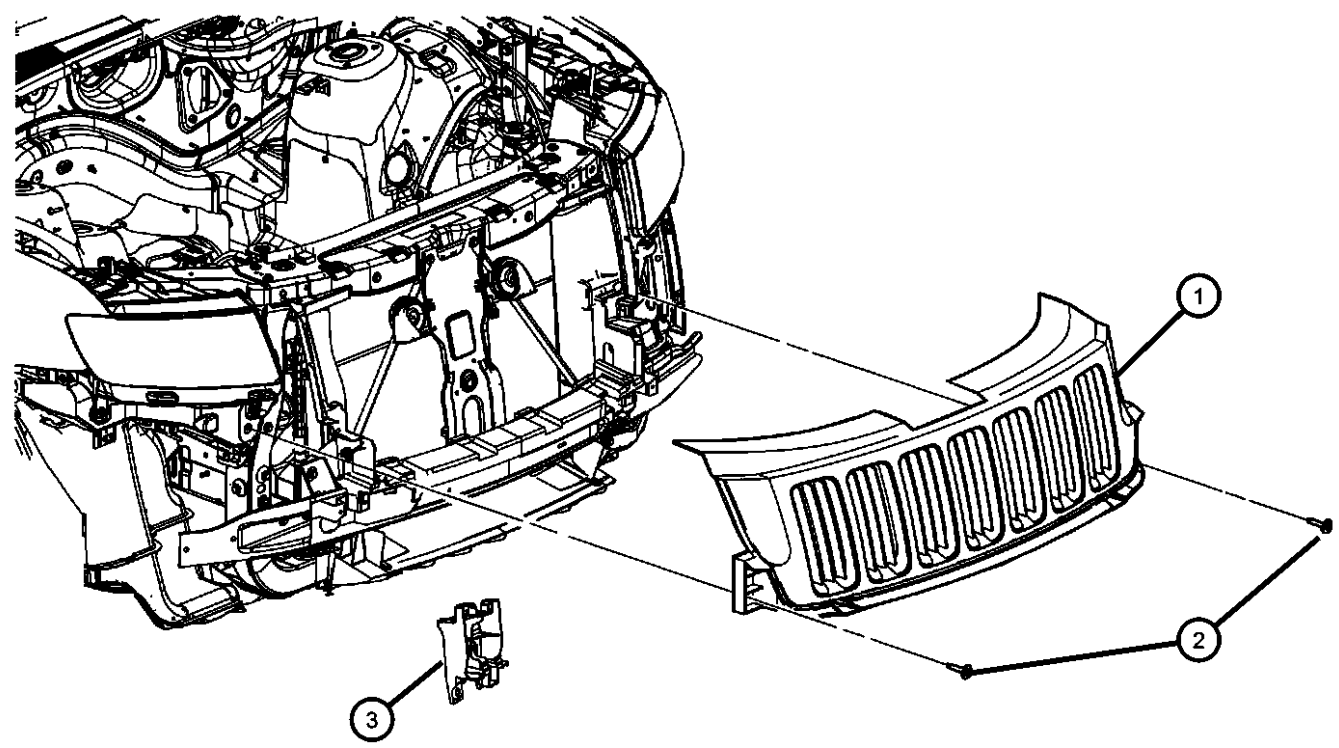
TRANSMISSION
DGQ = 5-Spd Automatic 545RFE
Transmission
DGJ = 5-Speed Auto W5A580
Transmission

AR = use ase required - = Non illustrated part

2011 WK

**Grilles
Figure 40-405**

ITEM	PART NUMBER	QTY	LINE	SERIES	BODY	ENGINE	TRANS	TRIM	DESCRIPTION
1									GRILLE, Radiator
	55079377AC	1	J, T, U	H, P	74				[MFZ]
	57010708AC	1	J, T, U	P, S	74				[MFZ]
		1	J, T, U	S	74				[MFZ]
2	06104368AA	2	J, T, U		74				BOLT AND WASHER, Hex Head, M6X1.00X25.00
3	05182391AA	1	J, T, U		74				REINFORCEMENT, Grille



GRAND CHEROKEE (WK)

SERIES LINE
H = HIGHLINE T = JEEP - 2WD
P = PREMIUM J = JEEP - 4WD
S = SPORT U = JEEP - 4WD (RHD)

BODY
74 = SPORT UTILITY 4-DR
TYPE #4

ENGINE
ERB = 3.0L Mid V6 Engine
EZH = 5.7L V8 HEMI MDS
VVT Engine
EXF = 3.0L V6 Turbo Diesel
Engine

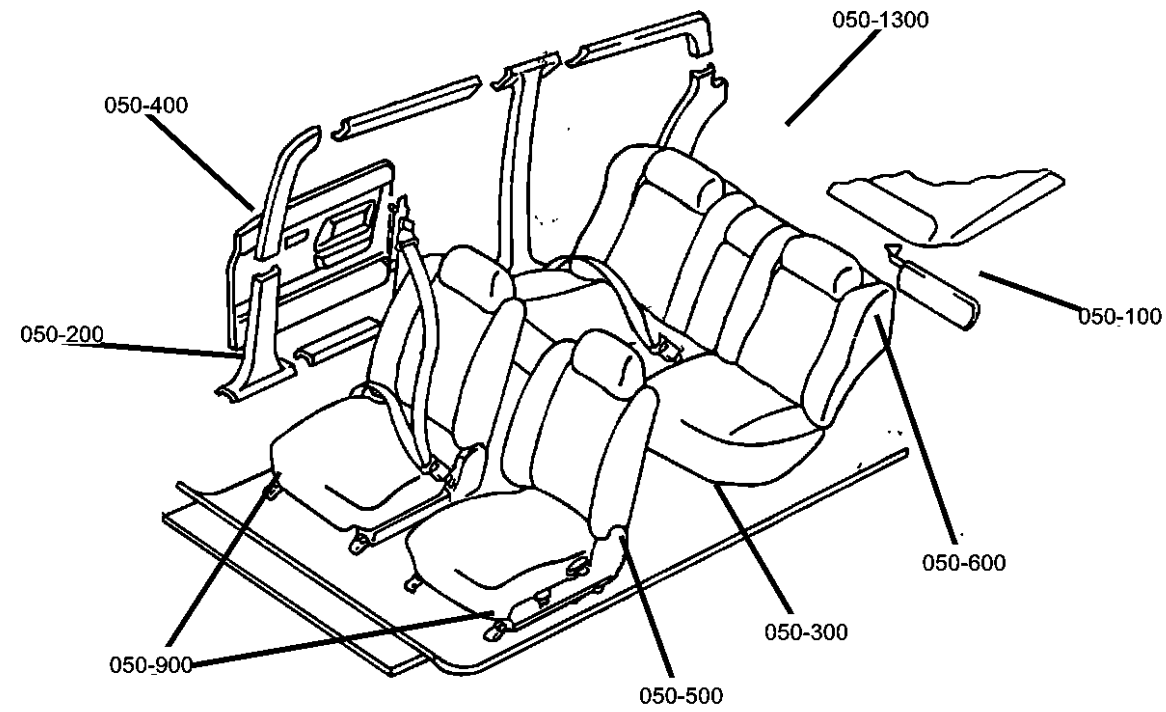
TRANSMISSION
DGQ = 5-Spd Automatic 545RFE
Transmission
DGJ = 5-Speed Auto W5A580
Transmission



AR = use ase required - = Non illustrated part

2011 WK

Group - 50

Interior Trim



<p>050-100 Headliners-Visors-Assist Straps</p>	<p>050-1400 Lift Gate Panel and Scuff Plate</p>	<p>050-1600 Consoles</p> 	<p>050-1700 Instrument Panel</p> 
<p>050-200 Panels-Moldings-Scuff Plates, Pillar, Cowl, 1/4 Panel Trim and Cargo Covers</p>	<p>050-300 Carpets, Floor Mats, Load Floor, and Silencers</p>	<p>050-400 Door Trim Panels-Front and Rear</p>	<p>050-500 Front Seats - First Row</p>
<p>050-600 Rear Seats - Second Row</p>	<p>050-900 Front Seats - Adjusters, Recliners, Shields and Risers</p>		

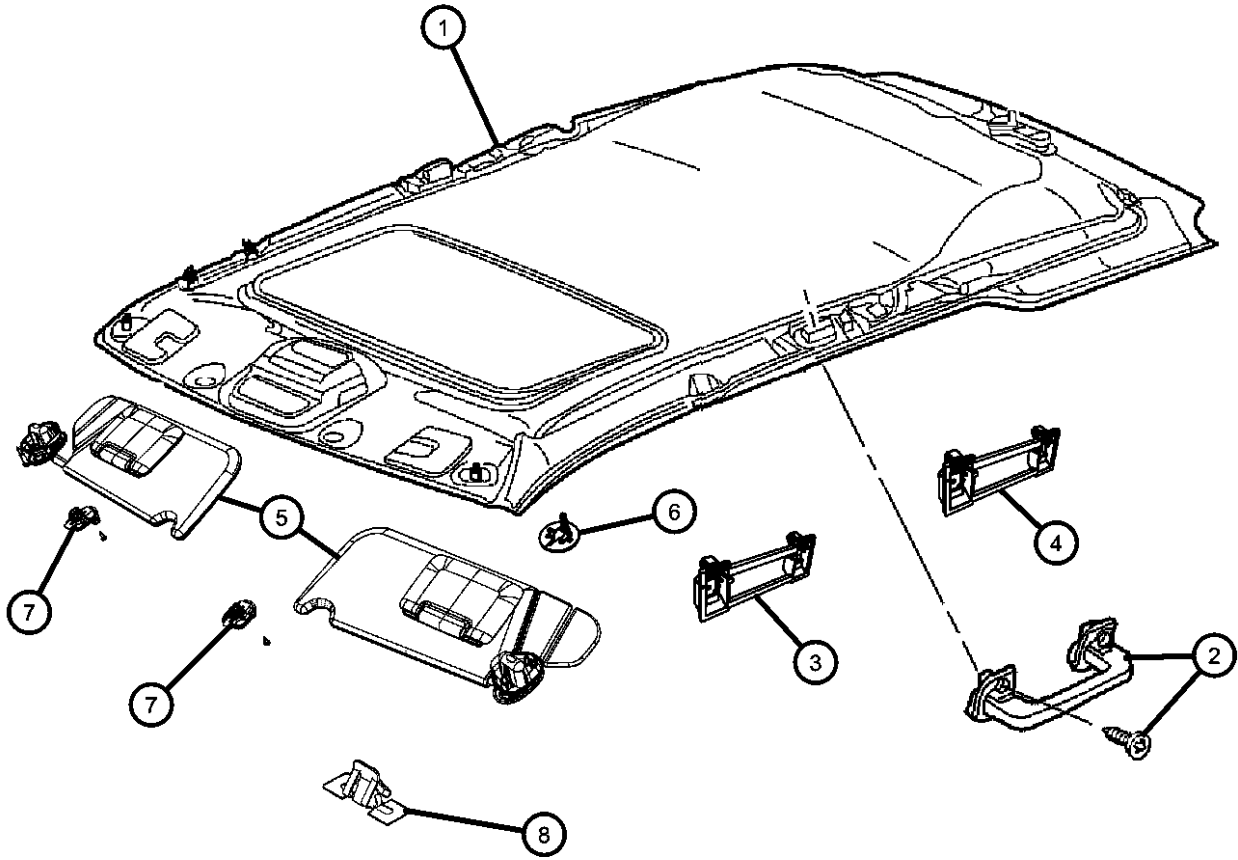
Group - 50 Interior Trim

Illustration Title	Group-Fig. No.
Headliners-Visors-Assist Straps	
Headliners and Visors	Fig. 50 - 105
Panels-Moldings-Scuff Plates, Pillar, Cowl, 1/4 Panel Trim and Cargo Covers	
Interior Moldings and Pillars	Fig. 50 - 205
Quarter Trim Panel	Fig. 50 - 235
Carpets, Floor Mats, Load Floor, and Silencers	
Carpet, Complete	Fig. 50 - 305
Load Floor, Cargo	Fig. 50 - 310
Door Trim Panels-Front and Rear	
Front Door Trim Panels	Fig. 50 - 405
Rear Door Trim Panels	Fig. 50 - 415
Front Seats - First Row	
Front Seat -Bucket -Trim Code [DL]	Fig. 50 - 505
Front Seat -Bucket- Trim Code [F7]	Fig. 50 - 507
Front Seat -Bucket-Trim Code [GL]	Fig. 50 - 508
Front Seat -Bucket-Trim Code [UL]	Fig. 50 - 509
Rear Seats - Second Row	
Rear Seat - 60/40 Seat -Trim Code [DL]	Fig. 50 - 605
Rear Seat - 60/40 Seat - Trim Code [F7]	Fig. 50 - 607
Rear Seat - 60/40 Seat - Trim Code [GL]	Fig. 50 - 608
Rear Seat - 60/40 Seat - Trim Code [UL]	Fig. 50 - 609
Front Seats - Adjusters, Recliners, Shields and Risers	
Adjusters, Recliners and Shields - Driver Seat - Power	Fig. 50 - 905
Adjusters, Recliners and Shields - Passenger Seat - Power	Fig. 50 - 915
Adjusters, Recliners and Shields - Passenger Seat - Manual	Fig. 50 - 920
Lift Gate Panel and Scuff Plate	
Liftgate Panels & Scuff Plate	Fig. 50 - 1405
Consoles	
Floor Console Front	Fig. 50 - 1610
Overhead Consoles	Fig. 50 - 1620
Instrument Panel	
Instrument Panel	Fig. 50 - 1715

Headliners and Visors
Figure 50-105

ITEM	PART NUMBER	QTY	LINE	SERIES	BODY	ENGINE	TRANS	TRIM	DESCRIPTION
------	-------------	-----	------	--------	------	--------	-------	------	-------------

Sales Codes :
 [CGS] = With Side Airbags
 [CVE] = Overhead Console
 [GN5] = Rear View Auto Dim Mirror W/Microphone
 [GNA] = Rear View Day/Night Mirror
 [GNC] = Sun Visors W/Illuminated Vanity Mirrors
 [GNK] = Rear View Auto Dim Mirror
 [GNV] = Non Illumi



HEADLINER									
1	1TH76HDAAA	1	J, T, U	H, P	74			*O0	[X9] , With [LSC] , Export
	1TH76HL1AA	1	J, T, U	H, P	74			*O0	[XL] , With [LSC] , Export
		1	J, T, U	H, P	74			*O0	[D3] , With [LSC] , Export
	1TH78HDAAA	1	J, T, U		74			*O0	[X9] , With [GWJ] , [LAZ] , Export
		1	J, T, U		74			*O0	[XT] , With [GWJ] , [LAZ] , Export
		1	J, T, U		74			*O0	[D3] , With [GWJ] , [LAZ] , Export
	1TH73HDAAA	1	J, T	H, P	74			*O0	[D3]
		1	J, T	H, P	74			*O0	[X9]
	1TH73HL1AA	1	J, T, U	H, P	74			*O0	[XL] , With [LAZ] , Export
		1	J, T, U	H, P	74			*O0	[D3] , With [LAZ] , Export
		1	J, T	H, P	74			*O0	[XL]
	1TH79HDAAA	1	J, T, U	H, P	74			*O0	[X9] , With [LAZ] , Export
		1	J, T		74			*O0	[D3] , With [GWJ]
		1	J, T		74			*O0	[X9] , With [GWJ]
		1	J, T, U		74			*O0	[XT] , With [GNC] , [GWJ] , [LAZ] , Export
		1	J, T, U		74			*O0	[D3] , With [GNC] , [GWJ] , [LAZ] , Export
	1TH79HL1AA	1	J, T		74			*O0	[L9] , With [GWJ]
		1	J, T		74			*O0	[XL] , With [GWJ]
		1	J, T		74			*O0	[XT] , With [GWJ]
		1	J, T, U		74			*O0	[X9] , With [GNC] , [GWJ] , [LAZ] , Export
	1TH80HDAAA	1	J, T, U		74			*O0	[X9] , With [GWA] , Export
		1	J, T, U		74			*O0	[D3] , With [GWA] , Export
		1	J, T, U		74			*O0	[XT] , With [GWA] , Export
		1	J, T	P, S	74			*O0	[X9] , With [GWA]
		1	J, T	P, S	74			*O0	[XT] , With [GWA]
	1TH80HL1AA	1	J, T, U		74			*O0	[L9] , With [GWA] , Export

GRAND CHEROKEE (WK)

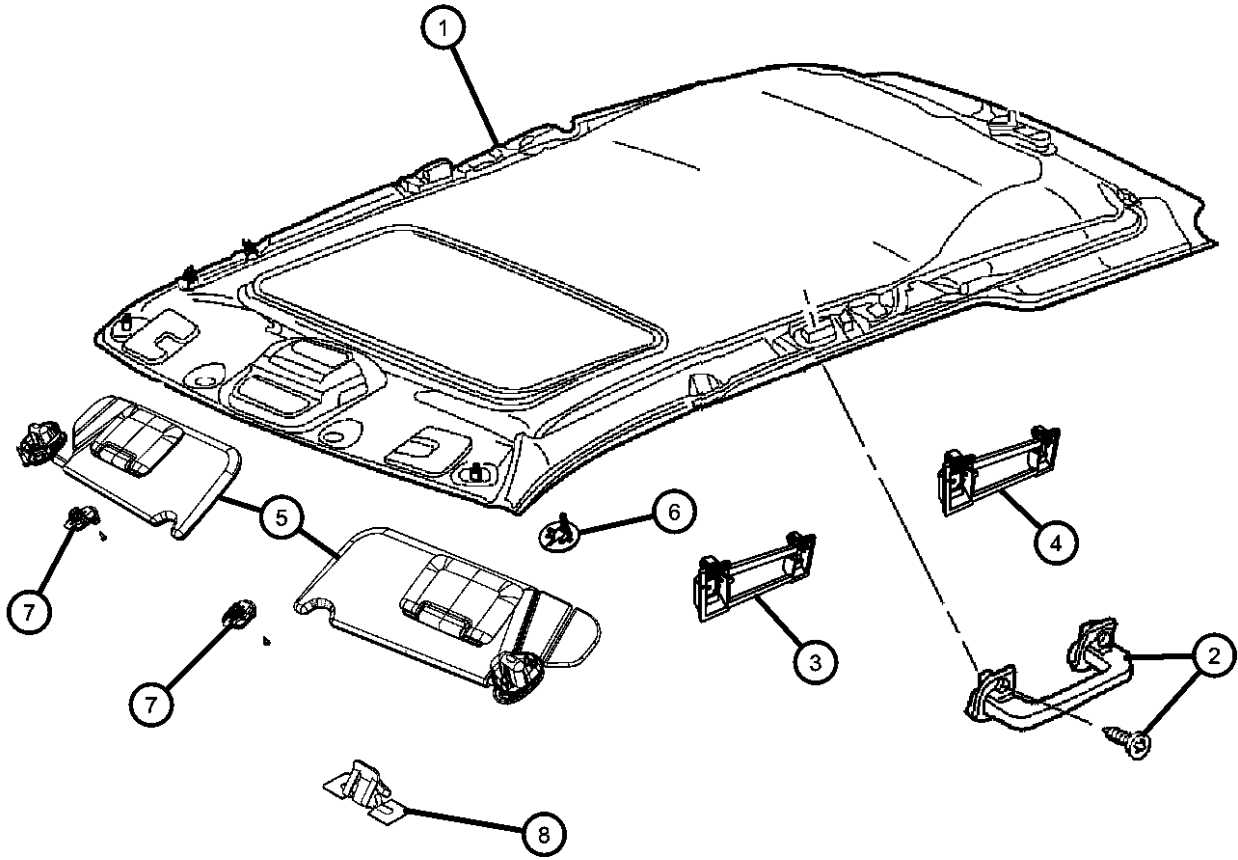
SERIES	LINE	BODY	ENGINE	TRANSMISSION
H = HIGHLINE	T = JEEP - 2WD	74 = SPORT UTILITY 4-DR	ERB = 3.XL Mid V6 Engine	DGQ = 5-Spd Automatic 545RFE
P = PREMIUM	J = JEEP - 4WD	TYPE #4	EZH = 5.7L V8 HEMI MDS	Transmission
S = SPORT	U = JEEP - 4WD (RHD)		VVT Engine	DGJ = 5-Speed Auto W5A580
			EXF = 3.0L V6 Turbo Diesel	Transmission
			Engine	

AR = use ase required - = Non illustrated part

2011 WK

Headliners and Visors
Figure 50-105

ITEM	PART NUMBER	QTY	LINE	SERIES	BODY	ENGINE	TRANS	TRIM	DESCRIPTION
		1	J, T, U		74			*O0	[XL] , With [GWA] , Export
		1	J, T	P, S	74			*O0	[L9] , With [GWA]
		1	J, T	P, S	74			*O0	[XL] , With [GWA]
	1TH81HDAAA	1	J, T, U		74			*O0	[D3] , With [GWA] , [LSC] , Export
		1	J, T, U		74			*O0	[X9] , With [GWA] , [LSC] , Export
		1	J, T, U		74			*O0	[XT] , With [GWA] , [LSC] , Export
	1TH81HL1AA	1	J, T, U		74			*O0	[L9] , With [GWA] , [LSC] , Export
	1TH78HL1AA	1	J, T, U		74			*O0	[L9] , With [GWJ] , [LAZ] , Export
		1	J, T, U		74			*O0	[XL] , With [GWJ] , [LAZ] , Export
		1	J, T, U		74			*O0	[L9] , With [GNC] , [GWJ] , [LAZ] , Export
		1	J, T, U		74			*O0	[XL] , With [GNC] , [GWJ] , [LAZ] , Export
		1	J, T, U		74			*O0	[XL] , With [GWA] , [LSC] , Export
2									HANDLE, Grab, Includes 2 Screws
	1RV73HDAAA	2	J, T, U		74			*O0	[D3] , Right & Left
		2	J, T, U		74			*O0	[XT] , Right & Left
	1RV73HL1AA	2	J, T, U		74			*O0	[L9] , Right & Left
		2	J, T, U		74			*O0	[XL] , Right & Left
	1RV80HDAAA	1	J, T, U		74			*O0	[D3] , With Light, Right
		1	J, T, U		74			*O0	[X9] , With Light, Right
		1	J, T, U		74			*O0	[XT] , With Light, Right
		2	J, T, U		74			*O0	[X9] , Right & Left
	1RV80HL1AA	1	J, T, U		74			*O0	[L9] , With Light, Right
		1	J, T, U		74			*O0	[XL] , With Light, Right
	1RV81HDAAA	1	J, T, U		74			*O0	[D3] , With Light, Left
		1	J, T, U		74			*O0	[X9] , With Light, Left
		1	J, T, U		74			*O0	[XT] , With Light, Left
	1RV81HL1AA	1	J, T, U		74			*O0	[L9] , With Light, Left
		1	J, T, U		74			*O0	[XL] , With Light, Left
	1RV82HDAAA	1	J, T, U		74			*O0	[D3] , Right
		1	J, T, U		74			*O0	[X9] , Right
		1	J, T, U		74			*O0	[XT] , Right
	1RV83HDAAA	1	J, T, U		74			*O0	[X9] , Left
		1	J, T, U		74			*O0	[XT] , Left



GRAND CHEROKEE (WK)

SERIES LINE
H = HIGHLINE T = JEEP - 2WD
P = PREMIUM J = JEEP - 4WD
S = SPORT U = JEEP - 4WD (RHD)

BODY
74 = SPORT UTILITY 4-DR
TYPE #4

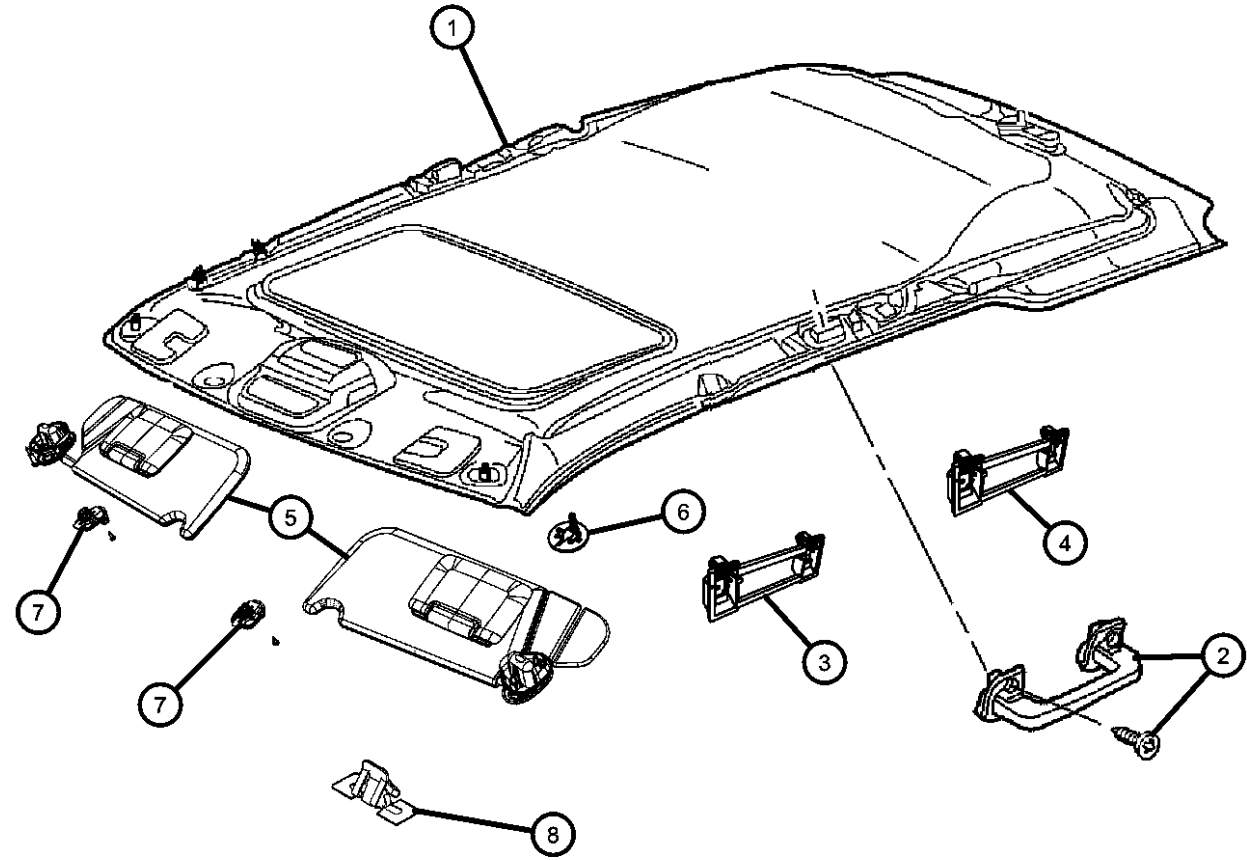
ENGINE
ERB = 3.0L Mid V6 Engine
EZH = 5.7L V8 HEMI MDS
VVT Engine
EXF = 3.0L V6 Turbo Diesel
Engine

TRANSMISSION
DGQ = 5-Spd Automatic 545RFE
Transmission
DGJ = 5-Speed Auto W5A580
Transmission

AR = use ase required - = Non illustrated part

2011 WK

Headliners and Visors
Figure 50-105



ITEM	PART NUMBER	QTY	LINE	SERIES	BODY	ENGINE	TRANS	TRIM	DESCRIPTION
	1RV82HL1AA	1	J, T, U		74			*O0	[L9], Right
	1RV83HL1AA	1	J, T, U		74			*O0	[L9], Left
		1	J, T, U		74			*O0	[XL], Right
		1	J, T, U		74			*O0	[D3], Left
		1	J, T, U		74			*O0	[XL], Left
3	05108111AB	2	J, T, U		74				RETAINER, Grab Handle, Includes 2 Clips and 2 Screws
4	05057722AB	2	J, T, U		74				RETAINER, Grab Handle, Includes 2 Clips and 2 Screws
5									VISOR, Illuminated, Includes 3 Screws
	1LS27HL1AD	1	J, T, U		74			*O0	[L9], Right
	1LS25HDAAD	1	J, T, U		74			*O0	[XT], Left
	1LS25HL1AD	1	J, T, U		74			*O0	[L9], Left
		1	J, T, U		74			*O0	[XL], Left
	1LS27HDAAD	1	J, T, U		74			*O0	[D3], Right
		1	J, T, U		74			*O0	[X9], Right
		1	J, T, U		74			*O0	[XT], Right
		1	J, T, U		74			*O0	[XL], Right
		1	J, T, U		74			*O0	[D3], Left
		1	J, T, U		74			*O0	[X9], Left
6									SPACER, Visor
	05108107AA	1	J, T, U		74				Left
	05108116AA	1	J, T, U		74				Right
7									SUPPORT, Visor
	1LS28HDAAB	2	J, T, U		74			*O0	[X9]
		2	J, T, U		74			*O0	[XT]
	1LS28HL1AB	2	J, T, U		74			*O0	[L9]
		2	J, T, U		74			*O0	[XL]
		2	J, T, U		74			*O0	[D3]
8	05108106AA	2	J, T, U		74				CLIP, Z-Axis
-9	68078113AA	1	J, T, U		74				RETAINER, Overhead Console, Includes 1 Clip and 1 Screw

GRAND CHEROKEE (WK)

SERIES LINE
H = HIGHLINE T = JEEP - 2WD
P = PREMIUM J = JEEP - 4WD
S = SPORT U = JEEP - 4WD (RHD)

BODY
74 = SPORT UTILITY 4-DR
TYPE #4

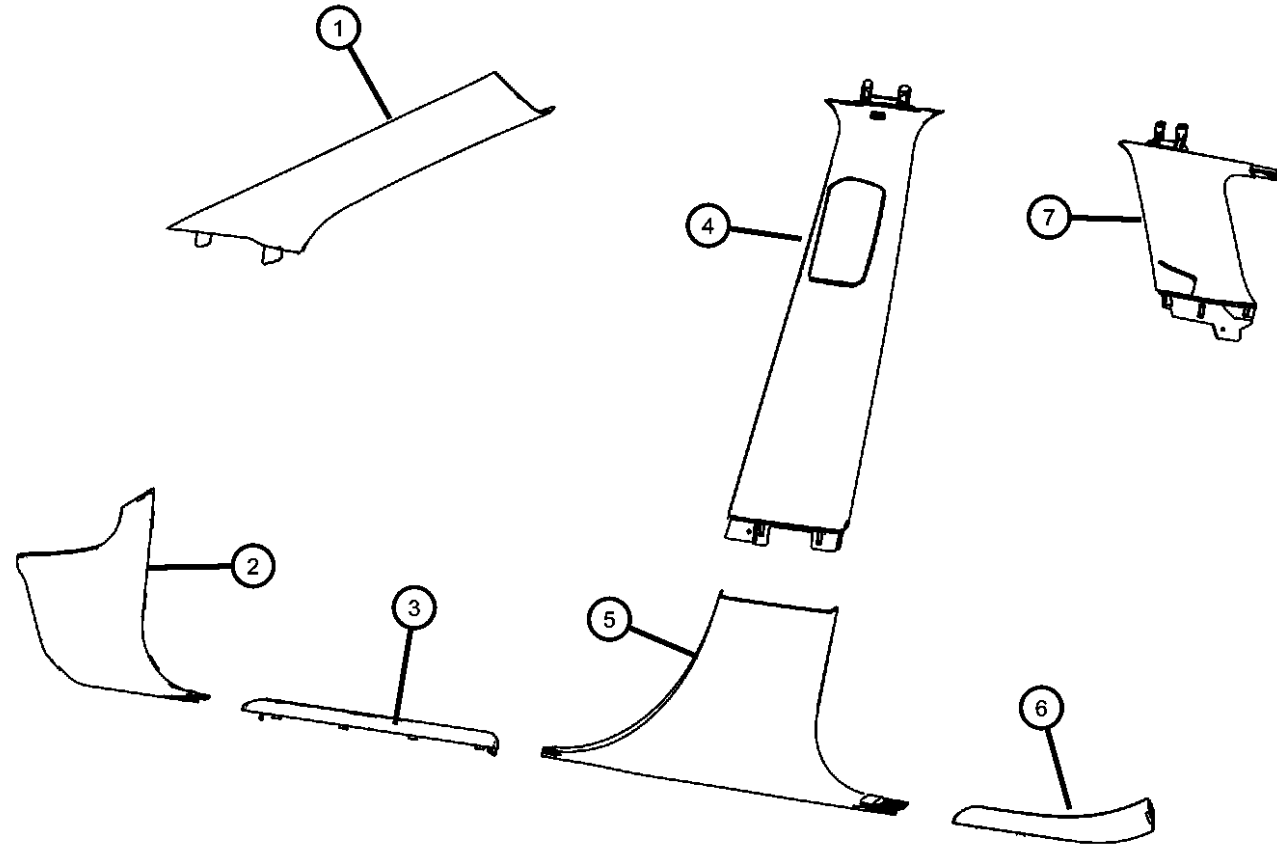
ENGINE
ERB = 3.0L Mid V6 Engine
EZH = 5.7L V8 HEMI MDS
VVT Engine
EXF = 3.0L V6 Turbo Diesel
Engine

TRANSMISSION
DGQ = 5-Spd Automatic 545RFE
Transmission
DGJ = 5-Speed Auto W5A580
Transmission

AR = use ase required - = Non illustrated part

2011 WK

**Interior Moldings and Pillars
Figure 50-205**



ITEM	PART NUMBER	QTY	LINE	SERIES	BODY	ENGINE	TRANS	TRIM	DESCRIPTION	
1	1GG51HDAAA	1	J, T, U		74			*00	PANEL, A Pillar [D3], Left	
		1	J, T, U		74			*00	[X9], Left	
		1	J, T, U		74			*00	[XT], Left	
	1GG52HL1AA	1	J, T, U		74			*00	[L9], Right	
		1	J, T, U		74			*00	[XL], Right	
	1GG52HDAAA	1	J, T, U		74			*00	[X9], Right	
	1GG51HL1AA	1	J, T, U		74			*00	[L9], Left	
		1	J, T, U		74			*00	[XL], Left	
	1	1GG51HL1AA	1	J, T, U		74			*00	[D3], Right
			1	J, T, U		74			*00	[XT], Right
	2	1GM00BD3AB	1	J, T		74			*00	PANEL, Cowl Side Trim [D3], Right
			1	J, T		74			*00	[XT], Right
			1	J, T		74			*00	[L9], Right
1GM00HL1AB		1	J, T		74			*00	[XL], Right	
		1	J, T		74			*00	[X9], Right	
1GM13DX9AB		1	J, T		74			*00	[X9], Left	
		1	J, T		74			*00	[XT], Left	
1GM13HL1AB		1	J, T		74			*00	[L9], Left	
		1	J, T		74			*00	[D3], Left	
1GW59BD3AB		1	U		74			*00	[D3], Left	
		1	U		74			*00	[X9], Left	
1GW59DX9AB		1	U		74			*00	[XT], Left	
		1	J, T		74			*00	[XL], Left	
1GW59HL1AB		1	U		74			*00	[XL], Left	
		1	U		74			*00	[D3], Right	
1LC10BD3AB		1	U		74			*00	[X9], Right	
		1	U		74			*00	[L9], Left	
1LC10HL1AB		1	U		74			*00	[L9], Right	
		1	U		74			*00	[XL], Right	
1		1LC10HL1AB	1	U		74			*00	[XT], Right
			1	U		74			*00	[XT], Right
3	1NC80HL1AB	1	J, T, U	P, S, X	74			*00	PLATE, Scuff [L9], Right	
		1	J, T, U	P, S, X	74			*00	[XL], Right	

GRAND CHEROKEE (WK)

SERIES LINE
H = HIGHLINE T = JEEP - 2WD
P = PREMIUM J = JEEP - 4WD
S = SPORT U = JEEP - 4WD (RHD)

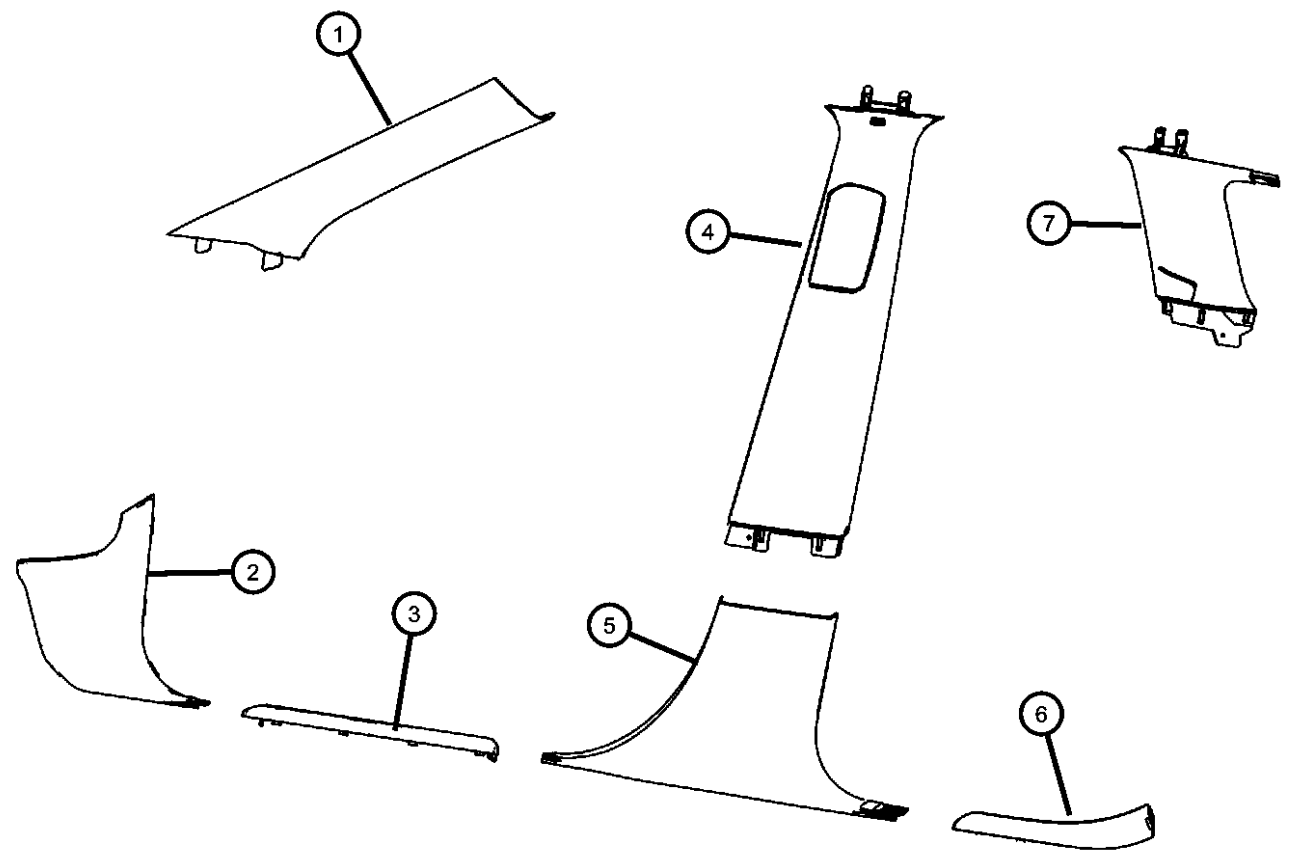
BODY
74 = SPORT UTILITY 4-DR
TYPE #4

ENGINE
ERB = 3.XL Mid V6 Engine
EZH = 5.7L V8 HEMI MDS
VVT Engine
EXF = 3.0L V6 Turbo Diesel
Engine

TRANSMISSION
DGQ = 5-Spd Automatic 545RFE
Transmission
DGJ = 5-Speed Auto W5A580
Transmission

**Interior Moldings and Pillars
Figure 50-205**

ITEM	PART NUMBER	QTY	LINE	SERIES	BODY	ENGINE	TRANS	TRIM	DESCRIPTION	
4	1NC81DX9AB	1	J, T, U	P, S, X	74			*O0	[X9], Left	
		1	J, T, U	P, S, X	74			*O0	[XT], Left	
	1NC81HL1AB	1	J, T, U	P, S, X	74			*O0	[L9], Left	
		1	J, T, U	P, S, X	74			*O0	[XL], Left	
	1NC80DX9AB	1	J, T, U	P, S, X	74			*O0	[X9], Right	
		1	J, T, U	P, S, X	74			*O0	[XT], Right	
										PANEL, B Pillar, Upper
	1GT13HL1AB	1	J, T, U			74			*O0	[XL], Left
	1GT14BD3AA	1	J, T, U			74			*O0	[D3], Right
	1GT13BD3AA	1	J, T, U			74			*O0	[D3], Left
	1GT13DX9AA	1	J, T, U			74			*O0	[X9], Left
	1GT13HL1AA	1	J, T, U			74			*O0	[L9], Left
	1GT13DX9AB	1	J, T, U			74			*O0	[XT], Left
	1GT14HL1AA	1	J, T, U			74			*O0	[L9], Right
	1	J, T, U			74			*O0	[XL], Right	
1GT14DX9AA	1	J, T, U			74			*O0	[X9], Right	
	1	J, T, U			74			*O0	[XT], Right	
									PANEL, B Pillar Lower Trim	
5	1GG58BD3AB	1	J, T, U			74		*O0	[D3], Right	
	1GG58DX9AB	1	J, T, U			74		*O0	[X9], Right	
		1	J, T, U			74		*O0	[XT], Right	
	1GG58HL1AB	1	J, T, U			74		*O0	[L9], Right	
		1	J, T, U			74		*O0	[XL], Right	
	1GG59BD3AB	1	J, T, U			74		*O0	[D3], Left	
	1GG59DX9AB	1	J, T, U			74		*O0	[X9], Left	
		1	J, T, U			74		*O0	[XT], Left	
	1GG59HL1AB	1	J, T, U			74		*O0	[L9], Left	
		1	J, T, U			74		*O0	[XL], Left	
									PLATE, Scuff	
6	1LY82HL1AB	1	J, T, U			74		*O0	[L9], Right	
		1	J, T, U			74		*O0	[X], Right	
	1LY87BD3AB	1	J, T, U			74		*O0	[D3], Left	
	1LY87DX9AB	1	J, T, U			74		*O0	[X9], Left	
		1	J, T, U			74		*O0	[XT], Left	



GRAND CHEROKEE (WK)

SERIES LINE
H = HIGHLINE T = JEEP - 2WD
P = PREMIUM J = JEEP - 4WD
S = SPORT U = JEEP - 4WD (RHD)

BODY
74 = SPORT UTILITY 4-DR
TYPE #4

ENGINE
ERB = 3.XL Mid V6 Engine
EZH = 5.7L V8 HEMI MDS
VVT Engine
EXF = 3.0L V6 Turbo Diesel
Engine

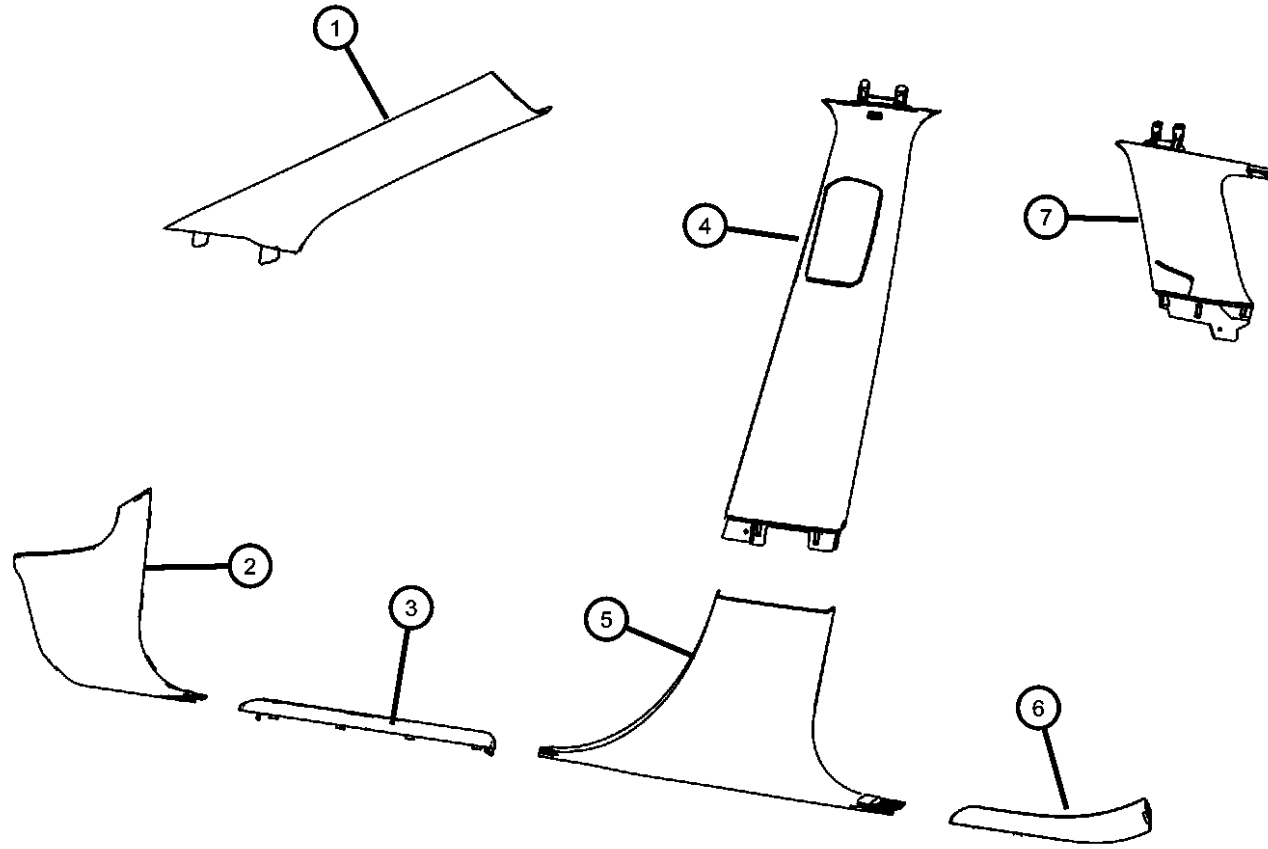
TRANSMISSION
DGQ = 5-Spd Automatic 545RFE
Transmission
DGJ = 5-Speed Auto W5A580
Transmission

AR = use ase required - = Non illustrated part

2011 WK

**Interior Moldings and Pillars
Figure 50-205**

ITEM	PART NUMBER	QTY	LINE	SERIES	BODY	ENGINE	TRANS	TRIM	DESCRIPTION
	1LY87HL1AB	1	J, T, U		74			*O0	[L9], Left
		1	J, T, U		74			*O0	[X1], Left
	1LY82BD3AB	1	J, T, U		74			*O0	[D3], Right
	1LY82DX9AB	1	J, T, U		74			*O0	[X9], Right
		1	J, T, U		74			*O0	[XT], Right
7									PANEL, C Pillar
	1GP02BD3AA	1	J, T, U		74			*O0	[D3], Right
	1GP02DX9AA	1	J, T, U		74			*O0	[X9], Right
		1	J, T, U		74			*O0	[XT], Right
	1GP02HL1AA	1	J, T, U		74			*O0	[XL], Right
		1	J, T, U		74			*O0	[L9], Right
	1GP03BD3AA	1	J, T, U		74			*O0	[D3], Left
	1GP03DX9AA	1	J, T, U		74			*O0	[X9], Left
		1	J, T, U		74			*O0	[XT], Left
	1GP03HL1AA	1	J, T, U		74			*O0	[XL], Left
		1	J, T, U		74			*O0	[L9], Left



GRAND CHEROKEE (WK)

SERIES LINE
H = HIGHLINE T = JEEP - 2WD
P = PREMIUM J = JEEP - 4WD
S = SPORT U = JEEP - 4WD (RHD)

BODY
74 = SPORT UTILITY 4-DR
TYPE #4

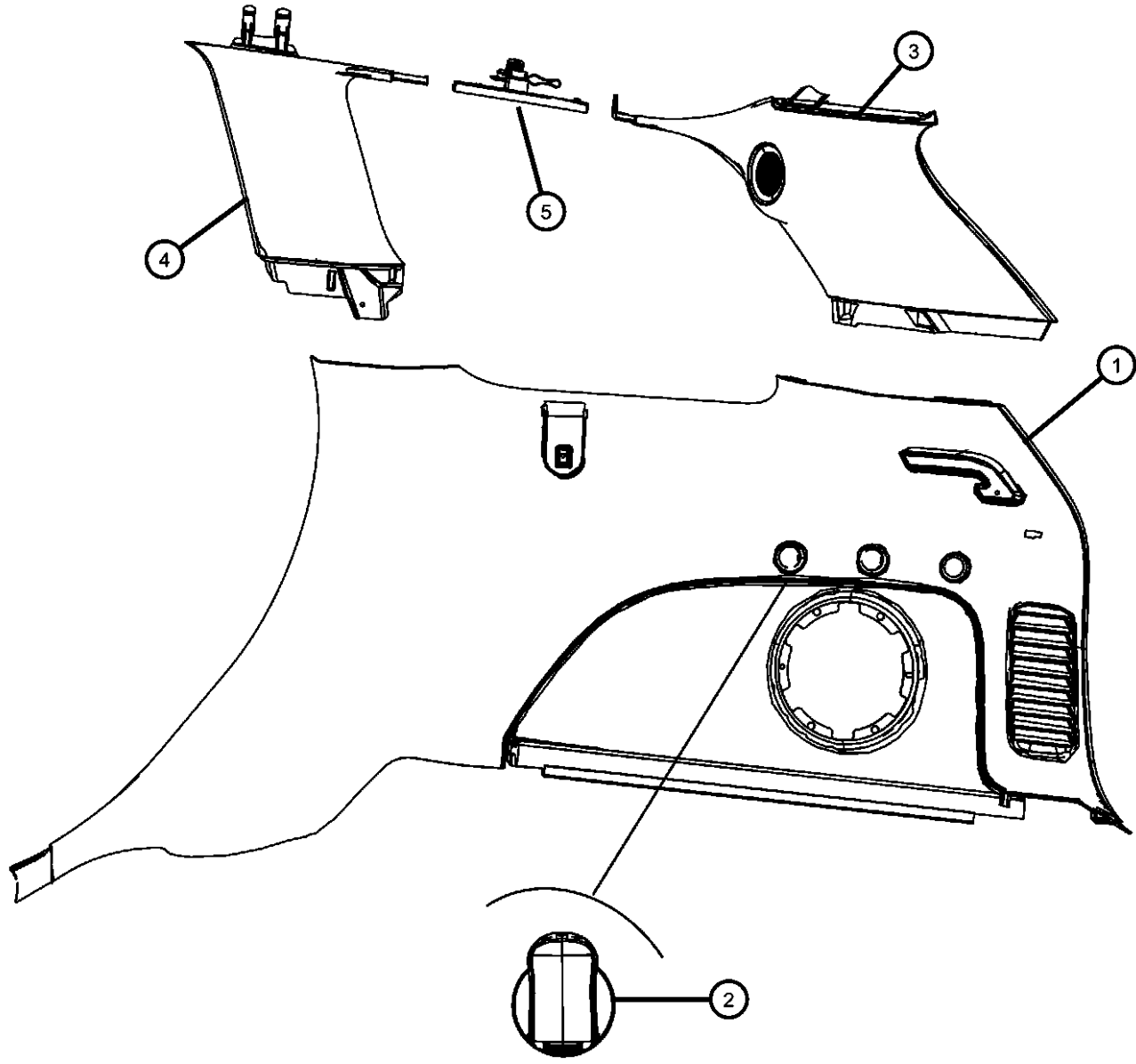
ENGINE
ERB = 3.XL Mid V6 Engine
EZH = 5.7L V8 HEMI MDS
VVT Engine
EXF = 3.0L V6 Turbo Diesel
Engine

TRANSMISSION
DGQ = 5-Spd Automatic 545RFE
Transmission
DGJ = 5-Speed Auto W5A580
Transmission

AR = use ase required - = Non illustrated part

2011 WK

Quarter Trim Panel
Figure 50-235



ITEM	PART NUMBER	QTY	LINE	SERIES	BODY	ENGINE	TRANS	TRIM	DESCRIPTION
1									PANEL, Quarter Trim
	1GU361D3AB	1	J, T, U		74			*00	[D3], Right
	1GU361L1AB	1	J, T, U		74			*00	[L9], Right
	1GU371D3AB	1	J, T, U		74			*00	[D3], Left
	1GU371XLAB	1	J, T, U		74			*00	[XL], Left
	1GU37DX9AB	1	J, T, U		74			*00	[X9], Left
	1GU36DX9AB	1	J, T, U		74			*00	[XT], Right
		1	J, T, U		74			*00	[X9], Right
		1	J, T, U		74			*00	[XL], Right
	1NJ37DX9AB	1	J, T, U		74			*00	[XT], Left
	1NJ371L1AC	1	J, T, U		74			*00	[L9], Left
2	68085739AA	2	J, T, U	H	74			*00	LOOP, Cargo Tie Down
3									PANEL, D Pillar
	5KS97BD3AB	1	J, T, U		74			*00	[D3], Left
	1GG60BD3AB	1	J, T, U		74			*00	[D3], With [RCA] or [RC3], Right
	1GG60DX9AB	1	J, T, U		74			*00	[X9], With [RCA] or [RC3], Right
		1	J, T, U		74			*00	[XT], With [RCA] or [RC3], Right
	1GG60HL1AB	1	J, T, U		74			*00	[L9], With [RCA] or [RC3], Right
		1	J, T, U		74			*00	[XL], With [RCA] or [RC3], Right
	1GG61BD3AB	1	J, T, U		74			*00	[D3], With [RCA] or [RC3], Left
	1GG61DX9AB	1	J, T, U		74			*00	[X9], With [RCA] or [RC3], Left
		1	J, T, U		74			*00	[XT], With [RCA] or [RC3], Left
	1GG61HL1AB	1	J, T, U		74			*00	[L9], With [RCA] or [RC3], Left
		1	J, T, U		74			*00	[XL], With [RCA] or [RC3], Left
	5KS96BD3AB	1	J, T, U		74			*00	[D3], Right
	5KS96DX9AB	1	J, T, U		74			*00	[XT], Right
	5KS96HL1AB	1	J, T, U		74			*00	[L9], Right
		1	J, T, U		74			*00	[XL], Right
	5KS96DX9AC	1	J, T, U		74			*00	[X9], Right
	5KS97HL1AB	1	J, T, U		74			*00	[L9], Left
		1	J, T, U		74			*00	[XL], Left
	5KS97DX9AB	1	J, T, U		74			*00	[XT], Left
		1	J, T, U		74			*00	[X9], Left
4									PANEL, C Pillar
	1GP02HL1AA	1	J, T, U		74			*00	[L9], Right

GRAND CHEROKEE (WK)
 SERIES LINE
 H = HIGHLINE T = JEEP - 2WD
 P = PREMIUM J = JEEP - 4WD
 S = SPORT U = JEEP - 4WD (RHD)

BODY
 74 = SPORT UTILITY 4-DR TYPE #4

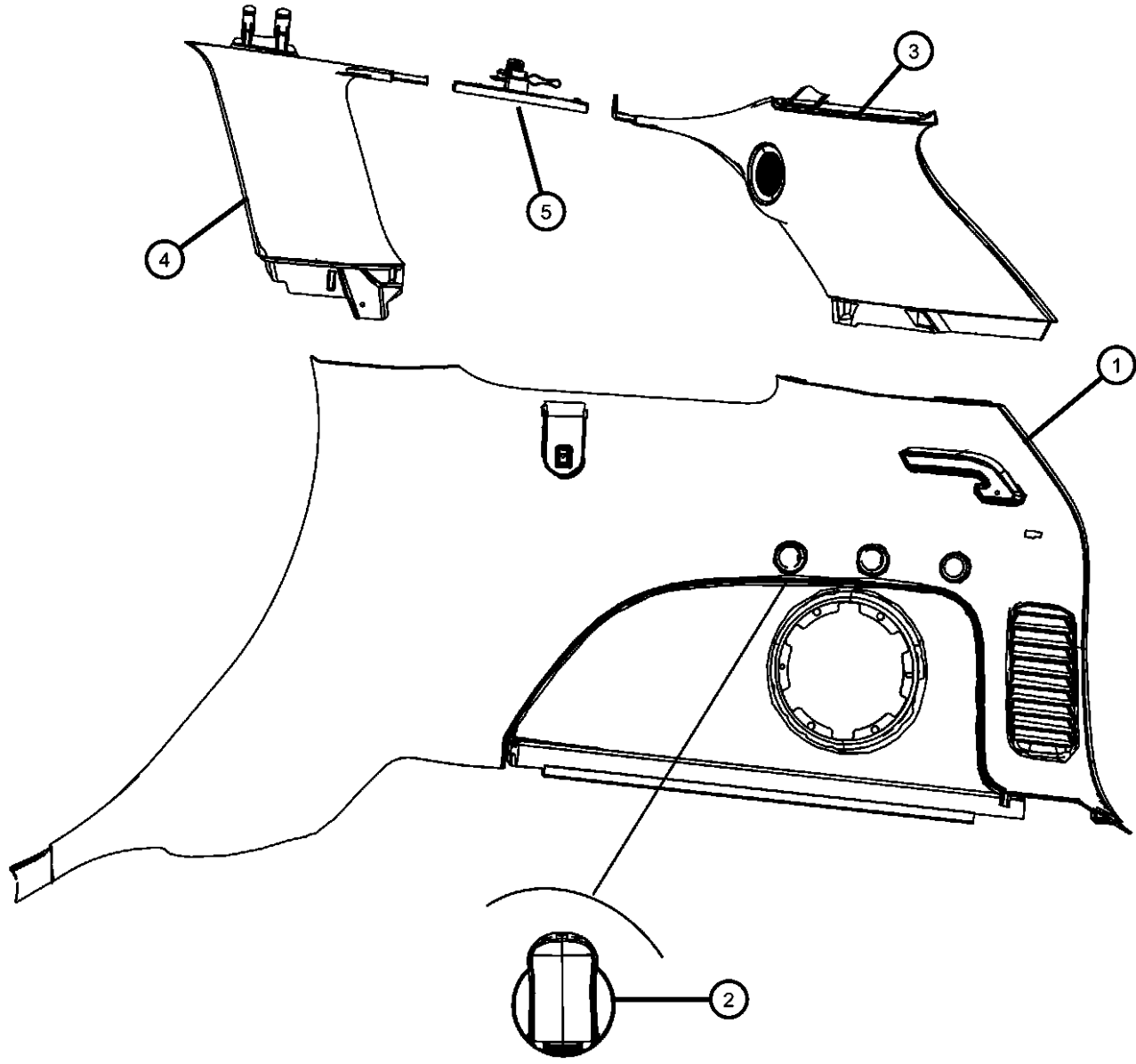
ENGINE
 ERB = 3.0L Mid V6 Engine
 EZH = 5.7L V8 HEMI MDS VVT Engine
 EXF = 3.0L V6 Turbo Diesel Engine

TRANSMISSION
 DGQ = 5-Speed Automatic 545RFE Transmission
 DGJ = 5-Speed Auto W5A580 Transmission

AR = use ase required - = Non illustrated part

Quarter Trim Panel
Figure 50-235

ITEM	PART NUMBER	QTY	LINE	SERIES	BODY	ENGINE	TRANS	TRIM	DESCRIPTION
		1	J, T, U		74			*00	[XL], Right
	1GP03BD3AA	1	J, T, U		74			*00	[D3], Left
	1GP03DX9AA	1	J, T, U		74			*00	[X9], Left
		1	J, T, U		74			*00	[XT], Left
	1GP03HL1AA	1	J, T, U		74			*00	[L9], Left
	1GP02BD3AA	1	J, T, U		74			*00	[D3], Right
	1GP02DX9AA	1	J, T, U		74			*00	[X9], Right
		1	J, T, U		74			*00	[XT], Right
		1	J, T, U		74			*00	[XL], Left
5									MOLDING, Rear Header
	5KT97BD3AA	1	J, T, U		74			*00	[D3], Left
	5KT97DX9AA	1	J, T, U		74			*00	[X9], Left
		1	J, T, U		74			*00	[XT], Left
	5KT97HL1AA	1	J, T, U		74			*00	[L9], Left
		1	J, T, U		74			*00	[XL], Left
	5KU76BD3AA	1	J, T, U		74			*00	[D3], Right
	5KU76DX9AA	1	J, T, U		74			*00	[X9], Right
		1	J, T, U		74			*00	[XT], Right
	5KU76HL1AA	1	J, T, U		74			*00	[L9], Right
		1	J, T, U		74			*00	[XL], Right



GRAND CHEROKEE (WK)

SERIES LINE
H = HIGHLINE T = JEEP - 2WD
P = PREMIUM J = JEEP - 4WD
S = SPORT U = JEEP - 4WD (RHD)

BODY
74 = SPORT UTILITY 4-DR
TYPE #4

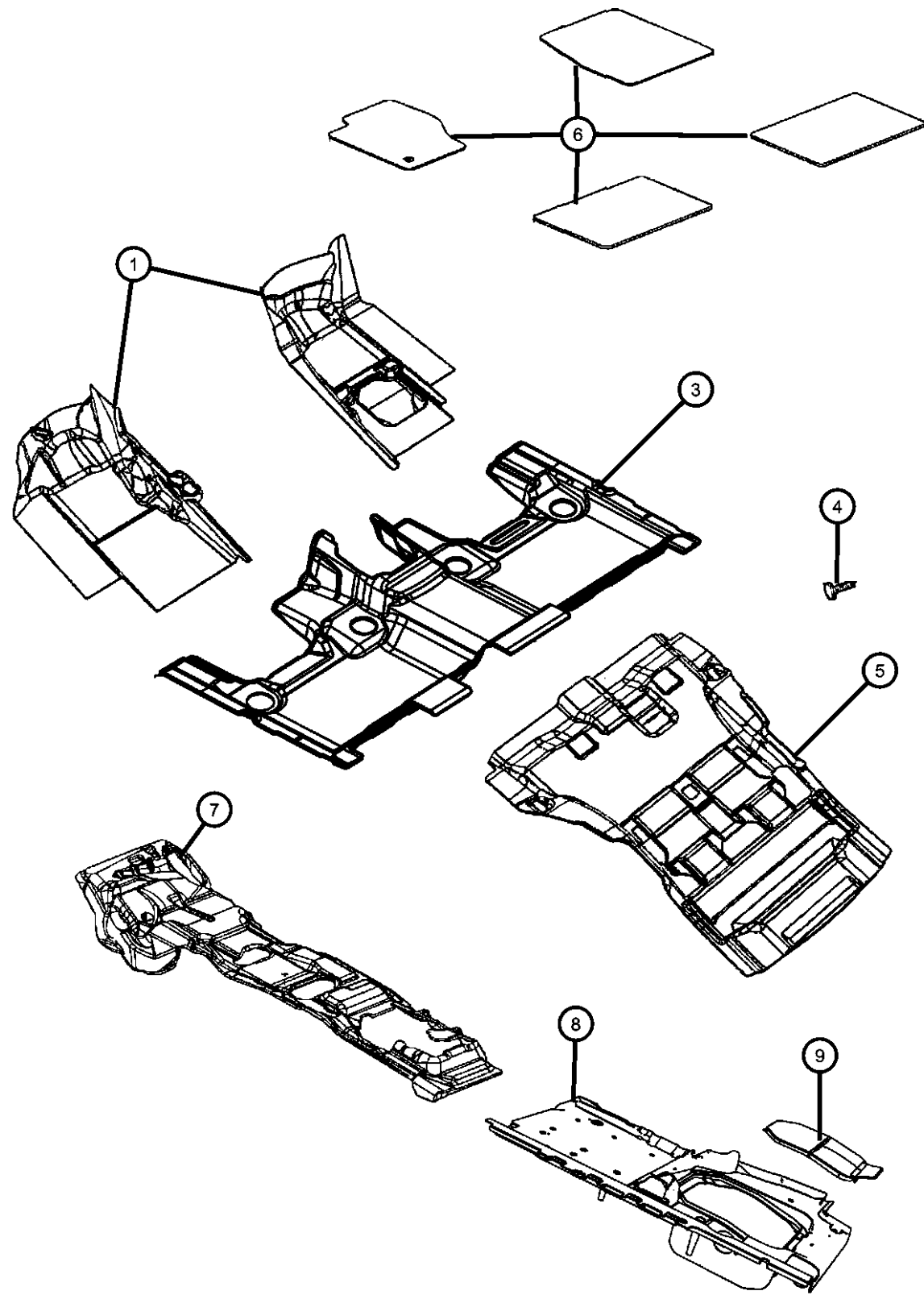
ENGINE
ERB = 3.0L Mid V6 Engine
EZH = 5.7L V8 HEMI MDS
VVT Engine
EXF = 3.0L V6 Turbo Diesel
Engine

TRANSMISSION
DGQ = 5-Spd Automatic 545RFE
Transmission
DGJ = 5-Speed Auto W5A580
Transmission

AR = use ase required - = Non illustrated part

2011 WK

**Carpet, Complete
Figure 50-305**



ITEM	PART NUMBER	QTY	LINE	SERIES	BODY	ENGINE	TRANS	TRIM	DESCRIPTION
1									CARPET, Front Floor
	1SJ20BD3AC	1	J, T		74			*00	[D3], Right
	1SJ20DX9AC	1	J, T		74			*00	[XL], Right
		1	J, T		74			*00	[XT], Right
		1	J, T		74			*00	[X9], Right
	1SJ20HL9AD	1	J, T		74			*00	[L9], Right
	1SJ20DX9AE	1	J, T		74			*00	[XF], Right
	1SJ21HL9AD	1	J, T		74			*00	[L9], Left
	1SJ21DX9AE	1	J, T		74			*00	[XF], Left
	1SJ21DX9AC	1	J, T		74			*00	[XT], Left
	1SJ21BD3AD	1	J, T		74			*00	[D3], Left
		1	J, T		74			*00	[XL], Left
		1	J, T		74			*00	[X9], Left
	-2								
	55197431AA	1	J, T		74				
	55315174AA	1	J, T		74				Export
	55315175AA	1	U		74				
3									CARPET, Rear Floor
	1NV00DX9AF	1	J, T, U		74			*00	[XT]
	1NV00HL9AF	1	J, T, U		74			*00	[L9]
		1	J, T, U		74			*00	[XF]
		1	J, T, U		74			*00	[XL]
	1NV00BD3AF	1	J, T, U		74			*00	[D3]
		1	J, T, U		74			*00	[X9]
4	06506293AA	2	J, T, U		74				PIN, Push
5									CARPET, Cargo Floor
	1NX98BD3AE	1	J, T, U		74			*00	[D3]
	1NX98DX9AE	1	J, T, U		74			*00	[X9]
		1	J, T, U		74			*00	[XF]
		1	J, T, U		74			*00	[XL]
	1NX98HL9AE	1	J, T, U		74			*00	[XT]
	1	J, T, U		74			*00	[L9]	
6									MAT KIT, Floor
	1GX73DX9AB	1	U		74			*00	[X9]
		1	U		74			*00	[XL]

GRAND CHEROKEE (WK)

SERIES LINE
H = HIGHLINE T = JEEP - 2WD
P = PREMIUM J = JEEP - 4WD
S = SPORT U = JEEP - 4WD (RHD)

BODY
74 = SPORT UTILITY 4-DR
TYPE #4

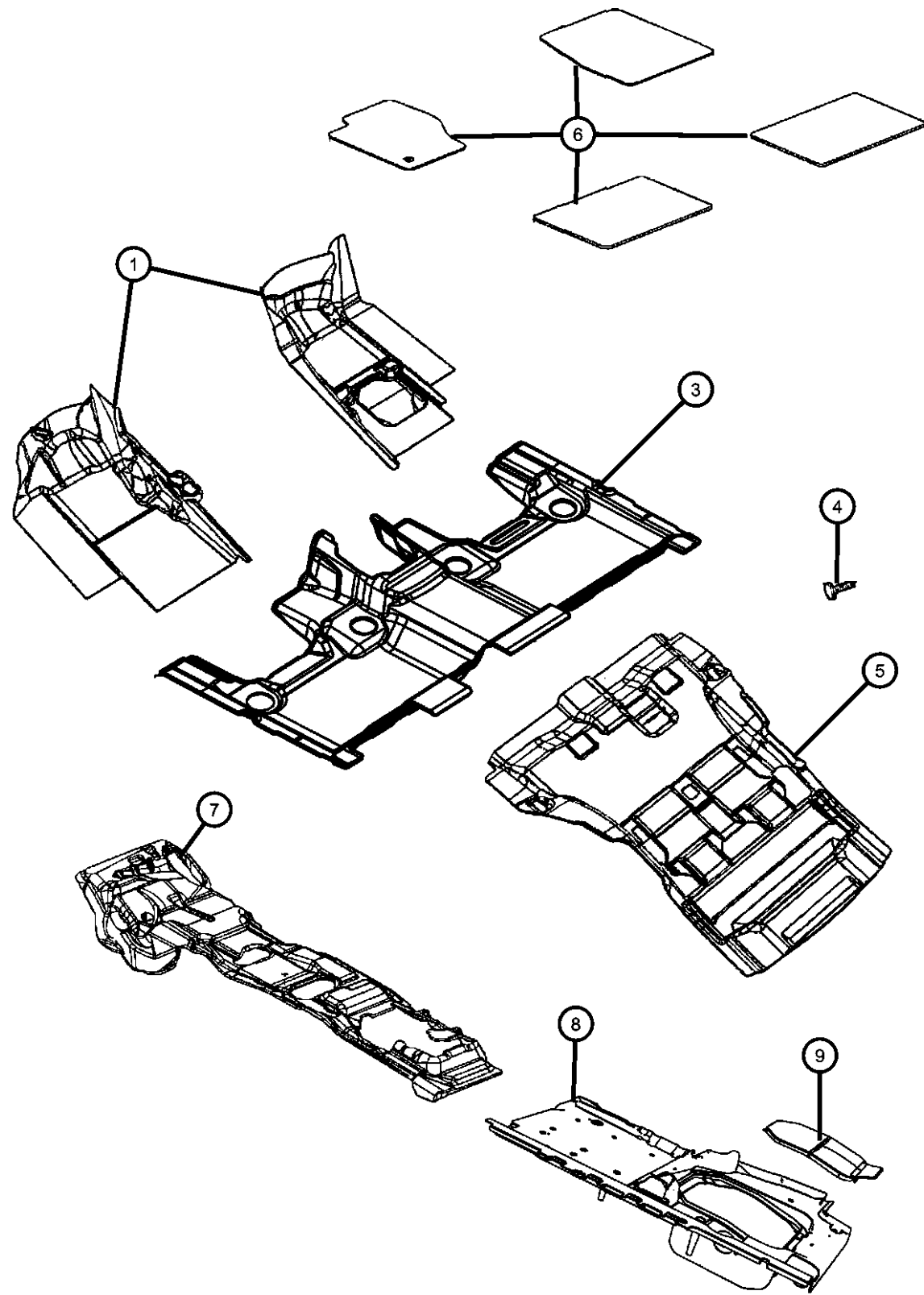
ENGINE
ERB = 3.0L Mid V6 Engine
EZH = 5.7L V8 HEMI MDS
VVT Engine
EXF = 3.0L V6 Turbo Diesel
Engine

TRANSMISSION
DGQ = 5-Spd Automatic 545RFE
Transmission
DGJ = 5-Speed Auto W5A580
Transmission

AR = use ase required - = Non illustrated part

2011 WK

Carpet, Complete
Figure 50-305



ITEM	PART NUMBER	QTY	LINE	SERIES	BODY	ENGINE	TRANS	TRIM	DESCRIPTION
		1	U		74			*O0	[XT]
	1GX73HL9AB	1	U		74			*O0	[L9]
	1HF40BD3AB	1	J, T		74			*O0	[D3]
	1HF40DX9AB	1	J, T		74			*O0	[X9]
		1	J, T		74			*O0	[XL]
		1	J, T		74			*O0	[XT]
	1GX73BD3AB	1	U		74			*O0	[D3]
	1HF40HL9AB	1	J, T		74			*O0	[L9]
7	05058929AA	1	J, T, U		74				SILENCER, Tunnel
8									COVER, Load Floor
	05108283AB	1	J, T, U		74				Left
	05108284AB	1	J, T, U		74				Right
9									LID, Load Floor
	1PL56BD3AB	2	J, T, U		74			*O0	[D3]
	1PL56DX9AB	2	J, T, U		74			*O0	[X9]
		2	J, T, U		74			*O0	[XL]
		2	J, T, U		74			*O0	[XT]
	1PL56HL9AB	2	J, T, U		74			*O0	[L9]

GRAND CHEROKEE (WK)

SERIES LINE
H = HIGHLINE T = JEEP - 2WD
P = PREMIUM J = JEEP - 4WD
S = SPORT U = JEEP - 4WD (RHD)

BODY
74 = SPORT UTILITY 4-DR
TYPE #4

ENGINE
ERB = 3.0L Mid V6 Engine
EZH = 5.7L V8 HEMI MDS
VVT Engine
EXF = 3.0L V6 Turbo Diesel
Engine

TRANSMISSION
DGQ = 5-Spd Automatic 545RFE
Transmission
DGJ = 5-Speed Auto W5A580
Transmission

AR = use ase required - = Non illustrated part

2011 WK

Load Floor, Cargo
Figure 50-310

ITEM	PART NUMBER	QTY	LINE	SERIES	BODY	ENGINE	TRANS	TRIM	DESCRIPTION
1	1GH14HL1AA	1	J, T, U		74			*O0	COVER, Cargo Compartment [L9]
		1	J, T, U		74			*O0	[XL]
	1GH14BD3AA	1	J, T, U		74			*O0	[D3]
	1GH14DX9AA	1	J, T, U		74			*O0	[X9]
		1	J, T, U		74			*O0	[XT]
2	1PT27BD3AB	1	J, T, U		74			*O0	COVER [D3]
	1PT27DX9AB	1	J, T, U		74			*O0	[X9]
	1PT27HL9AB	1	J, T, U		74			*O0	[XI]
		1	J, T, U		74			*O0	[XT]
		1	J, T, U		74			*O0	[L9]
3	1PC17DX9AB	1	J, T, U	P, S, X	74			*O0	COVER, Cargo Compartment [X9]
		1	J, T, U	P, S, X	74			*O0	[XT]
	1PC17HL9AB	1	J, T, U	P, S, X	74			*O0	[L9]
	1PT28DX9AB	1	J, T, U	H	74			*O0	[X9]
		1	J, T, U	P, S, X	74			*O0	[XL]
	1PT28BD3AB	1	J, T, U	H	74			*O0	[D3]
4	68083016AB	1	J, T, U		74				BASE, Load Floor
5	68081032AA	1	J, T, U		74				BIN, Storage Right
	68082031AA	1	J, T, U		74				Left
6	1NX98DX9AB	1	J, T, U		74			*O0	CARPET, Cargo Floor [XL]
	1NX98BD3AA	1	J, T, U		74			*O0	[D3]
	1NX98DX9AA	1	J, T, U		74			*O0	[XT]
	1NX98HL9AA	1	J, T, U		74			*O0	[L9]
		1	J, T, U		74			*O0	[X9]

GRAND CHEROKEE (WK)

SERIES LINE
H = HIGHLINE T = JEEP - 2WD
P = PREMIUM J = JEEP - 4WD
S = SPORT U = JEEP - 4WD (RHD)

BODY
74 = SPORT UTILITY 4-DR
TYPE #4

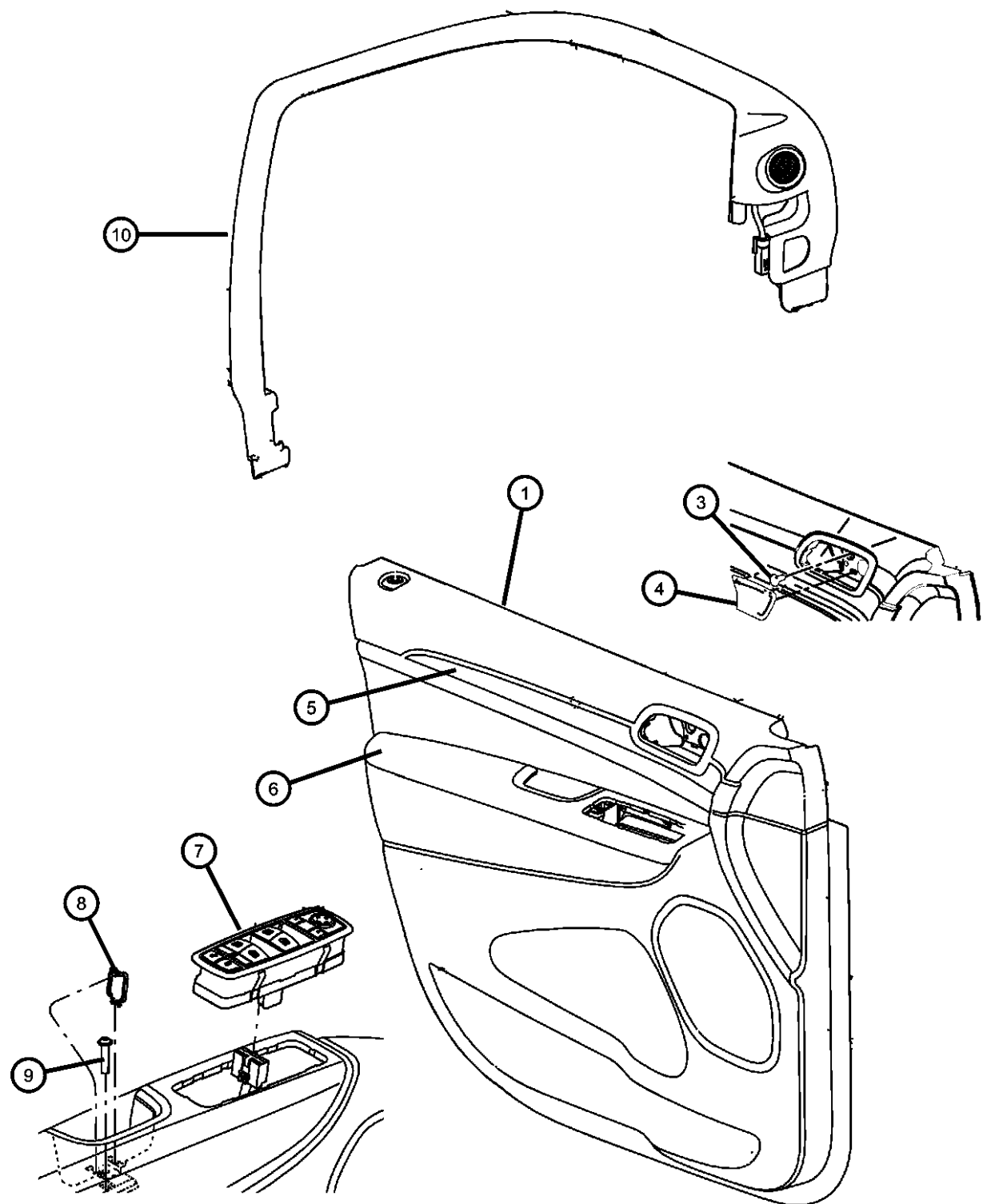
ENGINE
ERB = 3.0L Mid V6 Engine
EZH = 5.7L V8 HEMI MDS
VVT Engine
EXF = 3.0L V6 Turbo Diesel
Engine

TRANSMISSION
DGQ = 5-Spd Automatic 545RFE
Transmission
DGJ = 5-Speed Auto W5A580
Transmission

AR = use ase required - = Non illustrated part

2011 WK

**Front Door Trim Panels
Figure 50-405**



ITEM	PART NUMBER	QTY	LINE	SERIES	BODY	ENGINE	TRANS	TRIM	DESCRIPTION
Sales Codes: [CBF] = Premium Door Trim Panel [CBW] = Highline Door Trim Panel [CTC] = Luxury Door Trim Panel [CTL] = Base Door Trim Panel [CTM] = Deluxe Door Trim Panel									
1									PANEL, Front Door Trim
	1GG241D3AE	1	J, T, U		74			*00	[D3] , With [CTL] , [RCG], Right
	1GG241X9AE	1	J, T, U		74			*00	[X9] , With [CTL] , [RCG], Right
	1GG251D3AE	1	J, T, U		74			*00	[D3] , With [CTL] , [RCG], Left
	1GG251X9AE	1	J, T, U		74			*00	[X9] , With [CTL] , [RCG], Left
	1GG261D3AE	1	J, T, U		74			*00	[D3] , With [CTL] , [RC3], Right
	1GG261X9AE	1	J, T, U		74			*00	[X9] , With [CTL] , [RC3], Right
	1GG271D3AE	1	J, T, U		74			*00	[D3] , With [CTL] , [RC3], Left
	1GG271X9AE	1	J, T, U		74			*00	[X9] , With [CTL] , [RC3], Left
	1GR981L1AD	1	U		74			*00	[L9] , With [CTC], Right
	1GR981TLAD	1	U		74			*00	[XT] , With [CTC], Right
	1GR981X9AD	1	U		74			*00	[X9] , With [CTC], Right
	1GR991L1AD	1	U		74			*00	[L9] , With [CTC], Left
	1GR991TLAD	1	U		74			*00	[XT] , With [CTC], Left
	1GR991X9AD	1	U		74			*00	[X9] , With [CTC], Left
	1GS641L1AE	1	J, T		74			*00	[XL] , With [CBF], Right
	1GS641X9AE	1	J, T		74			*00	[X9] , With [CBF], Right
	1GS651L1AE	1	J, T		74			*00	[XL] , With [CBF], Left
	1GS651X9AE	1	J, T		74			*00	[X9] , With [CBF], Left
	1GS681L1AE	1	U		74			*00	[XL] , With [CBF], Right
	1GS681X9AE	1	U		74			*00	[X9] , With [CBF], Right
	1GS691L1AE	1	U		74			*00	[XL] , With [CBF], Left
	1GS691X9AE	1	U		74			*00	[X9] , With [CBF], Left
	1SX261L1AA	1	J, T		74			*00	[L9] , With [CTC], Right
	1SX261TLAA	1	J, T		74			*00	[XT] , With [CTC], Right
	1SX261X9AA	1	J, T		74			*00	[X9] , With [CTC], Right
	1SX271L1AA	1	J, T		74			*00	[L9] , With [CTC], Left
	1SX271TLAA	1	J, T		74			*00	[XT] , With [CTC], Left
	1SX271X9AA	1	J, T		74			*00	[X9] , With [CTC], Left
-2	68080910AA	15	J, T, U		74			*00	PIN, Panel Attaching Pins

GRAND CHEROKEE (WK)

SERIES LINE
H = HIGHLINE T = JEEP - 2WD
P = PREMIUM J = JEEP - 4WD
S = SPORT U = JEEP - 4WD (RHD)

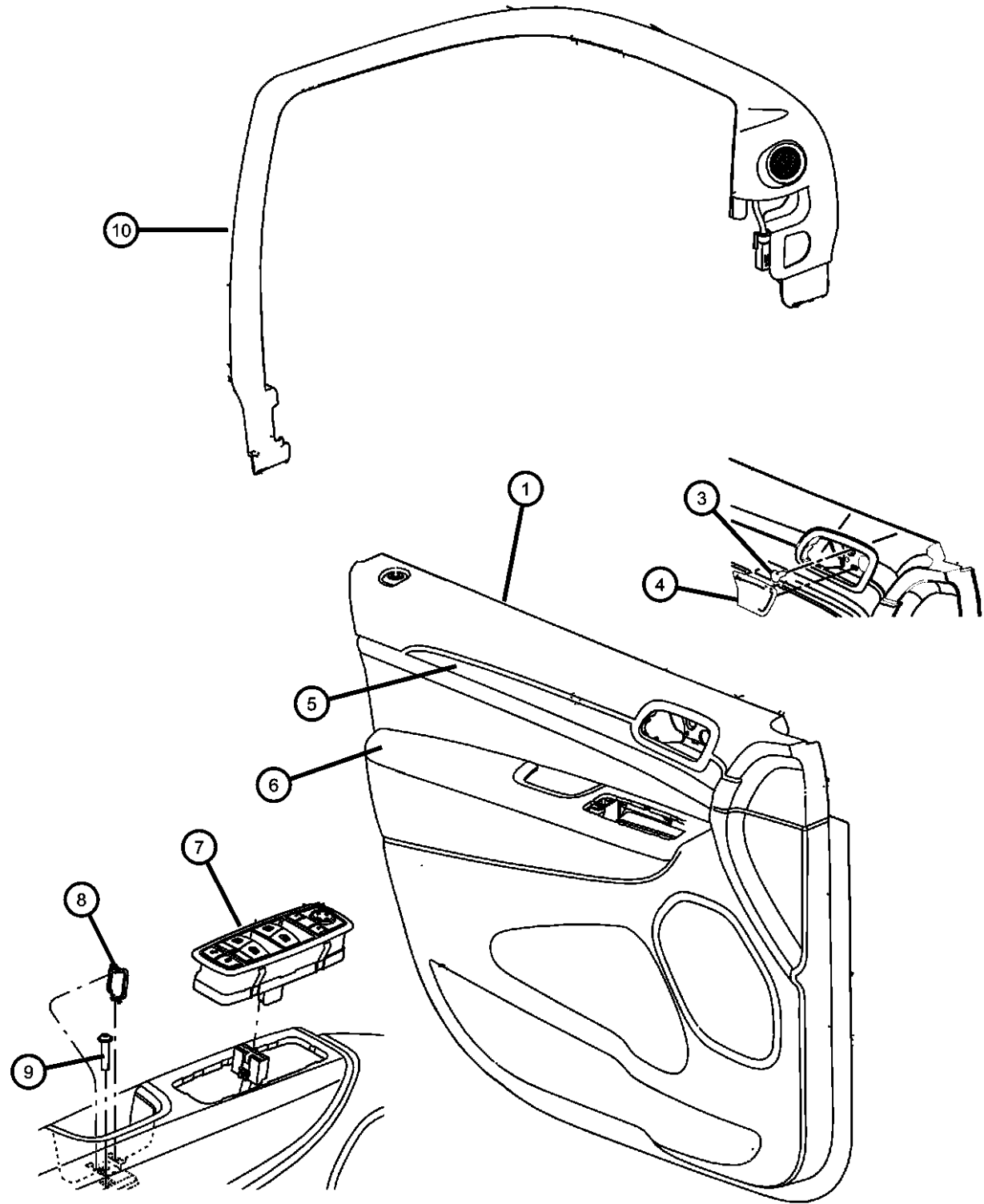
BODY
74 = SPORT UTILITY 4-DR
TYPE #4

ENGINE
ERB = 3.XL Mid V6 Engine
EZH = 5.7L V8 HEMI MDS
VVT Engine
EXF = 3.0L V6 Turbo Diesel
Engine

TRANSMISSION
DGQ = 5-Spd Automatic 545RFE
Transmission
DGJ = 5-Speed Auto W5A580
Transmission

AR = use ase required - = Non illustrated part

**Front Door Trim Panels
Figure 50-405**



ITEM	PART NUMBER	QTY	LINE	SERIES	BODY	ENGINE	TRANS	TRIM	DESCRIPTION
3	06509232AA	1	J, T, U		74				SCREW, M4.2x1.41x13.00
4									CAP, Screw Cover
	1NC24BD3AB	1	J, T, U		74			*00	[D3], Right
	1NC24DX9AB	1	J, T, U		74			*00	[X9], Right
	1NC24HL1AB	1	J, T, U		74			*00	[L9], Right
		1	J, T, U		74			*00	[XL], Right
	1NC24JTLAB	1	J, T, U		74			*00	[XT], Right
	1NC25BD3AB	1	J, T, U		74			*00	[D3], Left
	1NC25DX9AB	1	J, T, U		74			*00	[X9], Left
	1NC25HL1AB	1	J, T, U		74			*00	[L9], Left
		1	J, T, U		74			*00	[XL], Left
	1NC25JTLAB	1	J, T, U		74			*00	[XT], Left
5									APPLIQUE, Front Door
	68080929AA	1	J, T		74			*00	With [CTC], Left
		1	U		74			*00	With [CTC], Left
	68080928AA	1	U		74			*00	With [CTC], Right
		1	J, T		74			*00	With [CTC], Right
6									ARMREST, Front Door Trim
	1SX181D3AA	1	J, T, U		74			*00	[D3], Right
	1SX181L1AA	1	J, T		74			*00	[XL], Right
		1	U		74			*00	[XL], Right
	1SX181X9AA	1	J, T, U		74			*00	[X9], With [CTC], [RCG], Right
		1	J, T		74			*00	[X9], Right
		1	U		74			*00	[X9], With [CBF], Right
	1SX191D3AA	1	J, T, U		74			*00	[D3], Left
	1SX191L1AA	1	J, T		74			*00	[XL], Left
		1	U		74			*00	[XL], Left
	1SX191X9AA	1	J, T, U		74			*00	[X9], With [CTC], [RCG], Left
		1	J, T		74			*00	[X9], Left
		1	U		74			*00	[X9], With [CBF], Left
	1SX281L1AA	1	J, T		74			*00	[L9], Right
		1	U		74			*00	[L9], Right
	1SX281TLAA	1	J, T		74			*00	[XT], Right
		1	U		74			*00	[XT], Right

GRAND CHEROKEE (WK)

SERIES LINE
H = HIGHLINE T = JEEP - 2WD
P = PREMIUM J = JEEP - 4WD
S = SPORT U = JEEP - 4WD (RHD)

BODY
74 = SPORT UTILITY 4-DR
TYPE #4

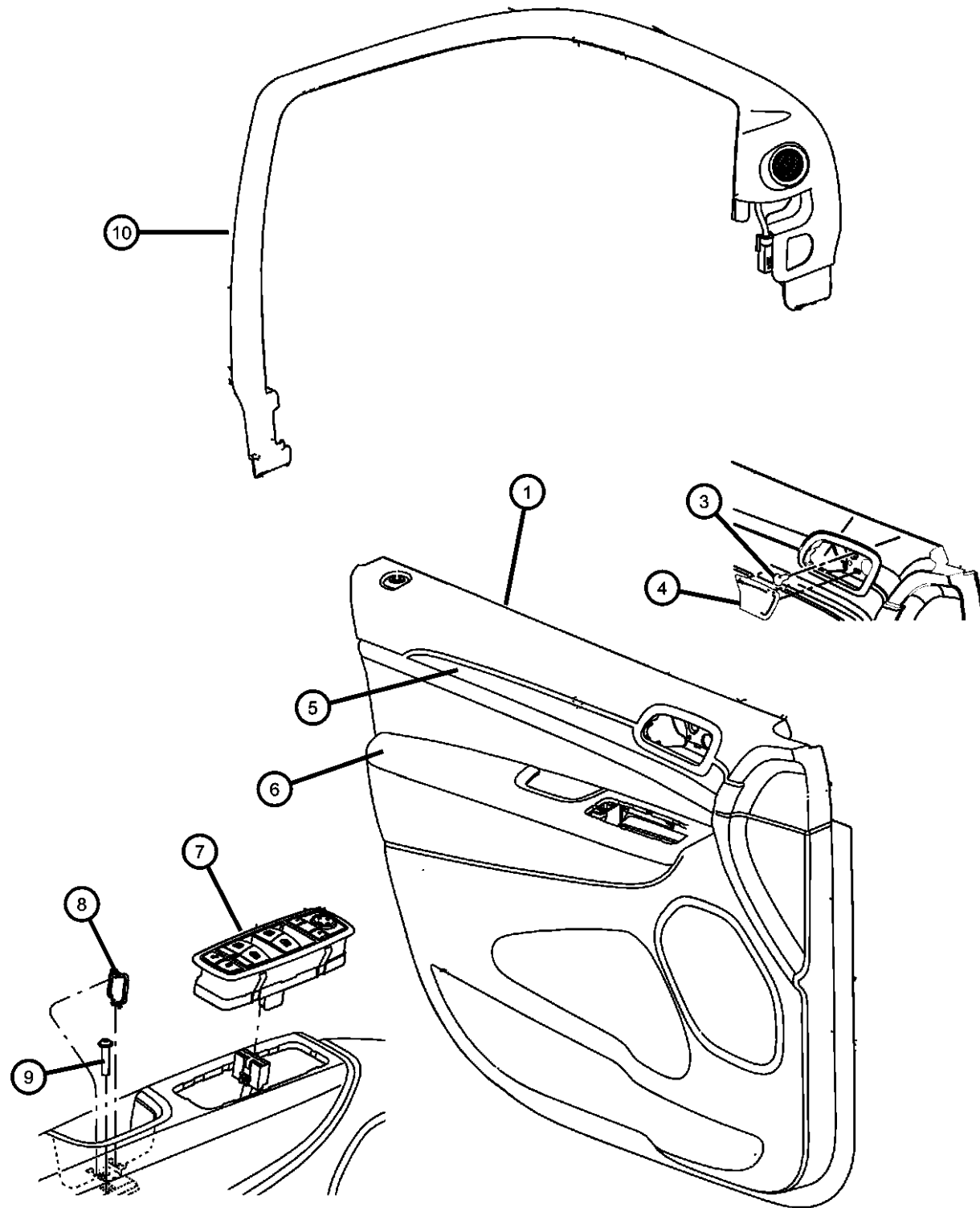
ENGINE
ERB = 3.0L Mid V6 Engine
EZH = 5.7L V8 HEMI MDS
VVT Engine
EXF = 3.0L V6 Turbo Diesel
Engine

TRANSMISSION
DGQ = 5-Spd Automatic 545RFE
Transmission
DGJ = 5-Speed Auto W5A580
Transmission

AR = use ase required - = Non illustrated part

2011 WK

**Front Door Trim Panels
Figure 50-405**



ITEM	PART NUMBER	QTY	LINE	SERIES	BODY	ENGINE	TRANS	TRIM	DESCRIPTION
	1SX281X9AA	1	J, T		74			*00	[X9] , With [CTC], Right
		1	U		74			*00	[X9] , With [CTC], Right
	1SX291L1AA	1	J, T		74			*00	[L9], Left
		1	U		74			*00	[L9], Left
	1SX291TLAA	1	J, T		74			*00	[XT], Left
		1	U		74			*00	[XT], Left
	1SX291X9AA	1	U		74			*00	[X9] , With [CTC], Left
		1	J, T		74			*00	[X9] , With [CTC], Left
7									SWITCH AND BEZEL, Power Window
	68030822AB	1	U		74				
		1	J, T		74				
8									COVER
	1SW161L1AA	1	J, T, U		74			*00	[L9], Right
		1	J, T, U		74			*00	[XL], Right
	1SW161D3AA	1	J, T, U		74			*00	[D3], Right
	1SW171L1AA	1	J, T		74			*00	[XL], Left
		1	U		74			*00	[XL], Left
		1	J, T, U		74			*00	[L9], Left
	1SW161TLAA	1	J, T, U		74			*00	[XT], Right
	1SW161X9AA	1	J, T, U		74			*00	[X9], Right
	1SW171D3AA	1	J, T, U		74			*00	[D3], Left
	1SW171TLAA	1	J, T, U		74			*00	[XT], Left
	1SW171X9AA	1	J, T, U		74			*00	[X9], Left
9	06505628AA	1	J, T, U		74				SCREW AND WASHER, Tapping Hex Head, M4.2x1.41x20
10									MOLDING, Front Door
	1JW73DX9AD	1	J, T, U		74			*00	[D3], Left
		1	J, T, U		74			*00	[L9], Left
		1	J, T, U		74			*00	[X9], Left
		1	J, T, U		74			*00	[XL], Left
		1	J, T, U		74			*00	[XT], Left
	1JW74DX9AD	1	J, T, U		74			*00	[D3], Right
		1	J, T, U		74			*00	[L9], Right
		1	J, T, U		74			*00	[X9], Right

GRAND CHEROKEE (WK)

SERIES LINE
H = HIGHLINE T = JEEP - 2WD
P = PREMIUM J = JEEP - 4WD
S = SPORT U = JEEP - 4WD (RHD)

BODY
74 = SPORT UTILITY 4-DR
TYPE #4

ENGINE
ERB = 3.XL Mid V6 Engine
EZH = 5.7L V8 HEMI MDS
VVT Engine
EXF = 3.0L V6 Turbo Diesel
Engine

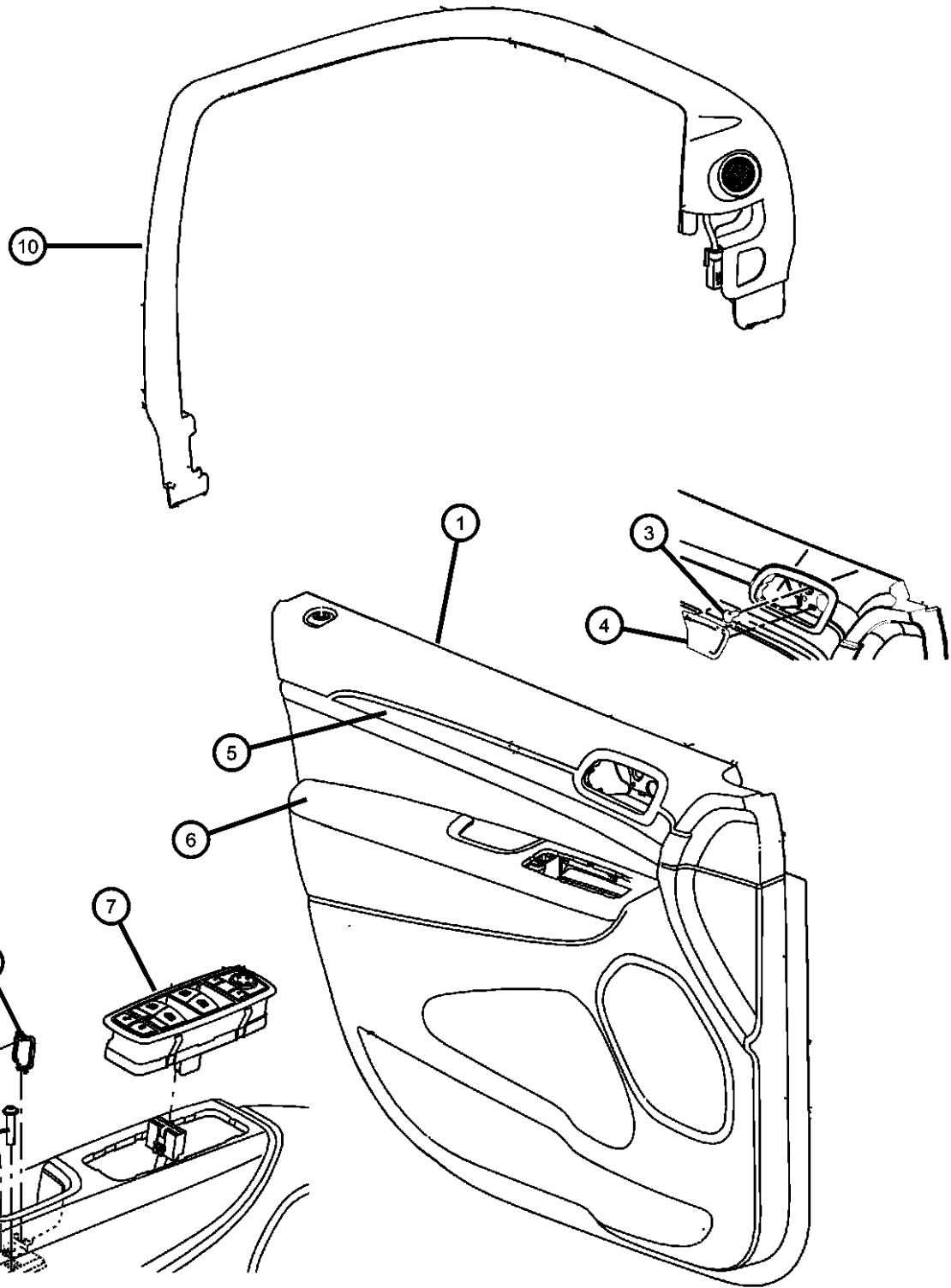
TRANSMISSION
DGQ = 5-Speed Automatic 545RFE
Transmission
DGJ = 5-Speed Auto W5A580
Transmission

AR = use ase required - = Non illustrated part

2011 WK

Front Door Trim Panels
Figure 50-405

ITEM	PART NUMBER	QTY	LINE	SERIES	BODY	ENGINE	TRANS	TRIM	DESCRIPTION
------	-------------	-----	------	--------	------	--------	-------	------	-------------



		1	J, T, U		74			*00	[XL], Right
		1	J, T, U		74			*00	[XT], Right

GRAND CHEROKEE (WK)

SERIES	LINE
H = HIGHLINE	T = JEEP - 2WD
P = PREMIUM	J = JEEP - 4WD
S = SPORT	U = JEEP - 4WD (RHD)

BODY
74 = SPORT UTILITY 4-DR TYPE #4

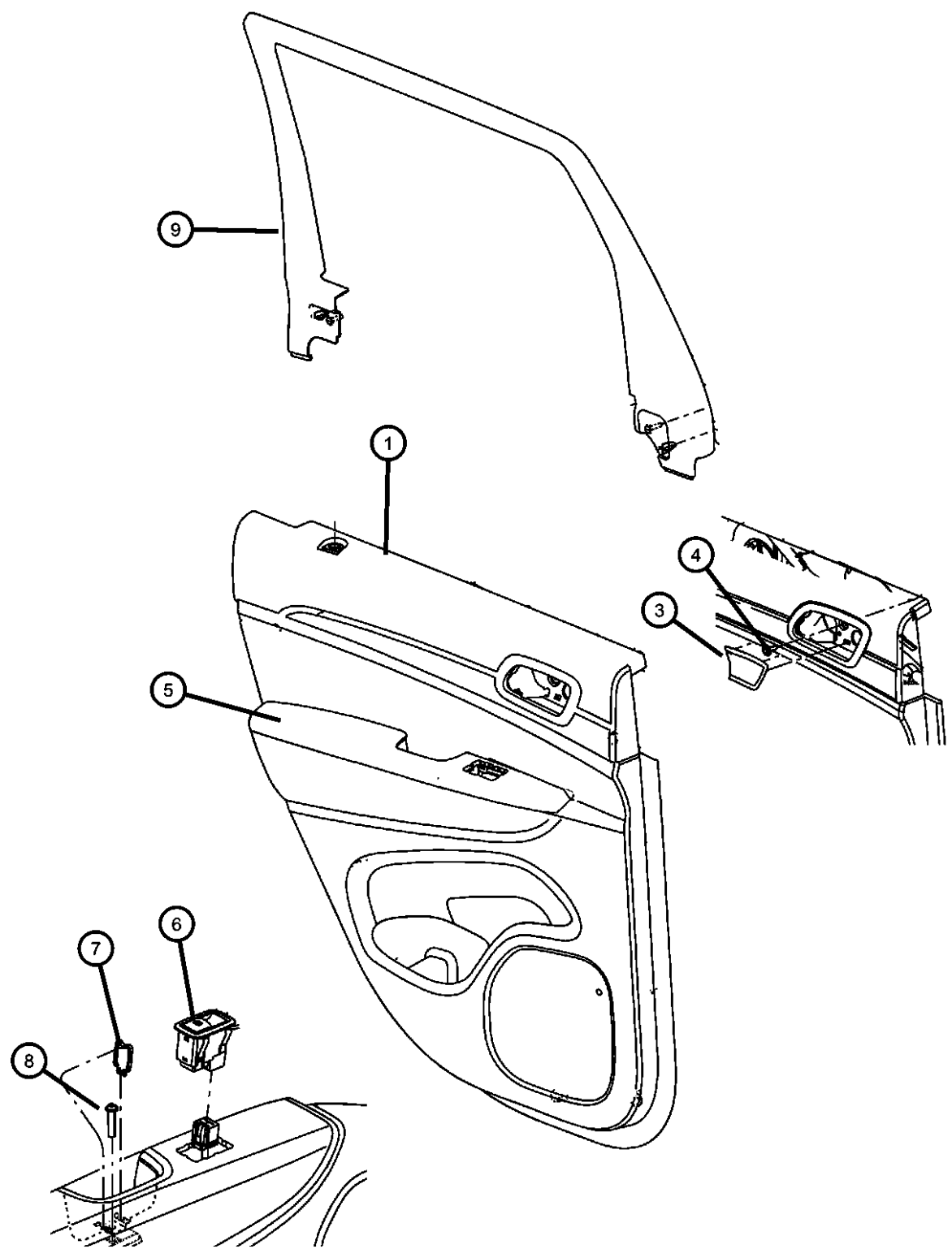
ENGINE
ERB = 3.0L Mid V6 Engine
EZH = 5.7L V8 HEMI MDS VVT Engine
EXF = 3.0L V6 Turbo Diesel Engine

TRANSMISSION
DGQ = 5-Spd Automatic 545RFE Transmission
DGJ = 5-Speed Auto W5A580 Transmission

AR = use ase required - = Non illustrated part

2011 WK

**Rear Door Trim Panels
Figure 50-415**



ITEM	PART NUMBER	QTY	LINE	SERIES	BODY	ENGINE	TRANS	TRIM	DESCRIPTION
1									PANEL, Rear Door Trim
	1GG451X9AE	1	J, T, U		74			*00	[X9] , With [CTL], Left
	1GG461D3AE	1	J, T, U		74			*00	[D3], Right
	1GG461X9AE	1	J, T, U		74			*00	[X9] , With [CTL], Right
	1GS721L1AE	1	J, T, U		74			*00	[XL], Right
	1GS721X9AE	1	J, T, U		74			*00	[X9] , With [CBF], Right
	1GS731L1AE	1	J, T, U		74			*00	[XL], Left
	1GS731X9AE	1	J, T, U		74			*00	[X9] , With [CBF], Left
	1SX301L1AA	1	J, T, U		74			*00	[L9], Right
	1SX301TLAA	1	J, T, U		74			*00	[XT], Right
	1SX301X9AA	1	J, T, U		74			*00	[X9] , With [CTC], Right
	1GG451D3AE	1	J, T, U		74			*00	[D3], Left
	1SX311L1AA	1	J, T, U		74			*00	[L9], Left
	1SX311TLAA	1	J, T, U		74			*00	[XT], Left
	1SX311X9AA	1	J, T, U		74			*00	[X9] , With [CTC], Left
-2	68080910AA	13	J, T, U		74			*00	PIN, Panel Attaching Pins
3									CAP, Screw Cover
	1NC24HL1AB	1	J, T, U		74			*00	[XL], Right
	1NC24JTLAB	1	J, T, U		74			*00	[XT], Right
	1NC24BD3AB	1	J, T, U		74			*00	[D3], Right
	1NC24DX9AB	1	J, T, U		74			*00	[X9], Right
		1	J, T, U		74			*00	[L9], Right
	1NC25BD3AB	1	J, T, U		74			*00	[D3], Left
	1NC25DX9AB	1	J, T, U		74			*00	[X9], Left
	1NC25HL1AB	1	J, T, U		74			*00	[L9], Left
		1	J, T, U		74			*00	[XL], Left
	1NC25JTLAB	1	J, T, U		74			*00	[XT], Left
4	06509232AA	1	J, T, U		74				SCREW, M4.2x1.41x13.00
5									ARMREST, Rear Door Trim
	1SX321X9AA	1	J, T, U		74			*00	[X9] , With [CTC], Right
	1SX331L1AA	1	J, T, U		74			*00	[L9], Left
	1SX321TLAA	1	J, T, U		74			*00	[XT], Right
	1SX331X9AA	1	J, T, U		74			*00	[X9] , With [CTC], Left
	1SX331TLAA	1	J, T, U		74			*00	[XT], Left
	1SX211L1AA	1	J, T, U		74			*00	[XL], Left

GRAND CHEROKEE (WK)

SERIES LINE
H = HIGHLINE T = JEEP - 2WD
P = PREMIUM J = JEEP - 4WD
S = SPORT U = JEEP - 4WD (RHD)

BODY
74 = SPORT UTILITY 4-DR
TYPE #4

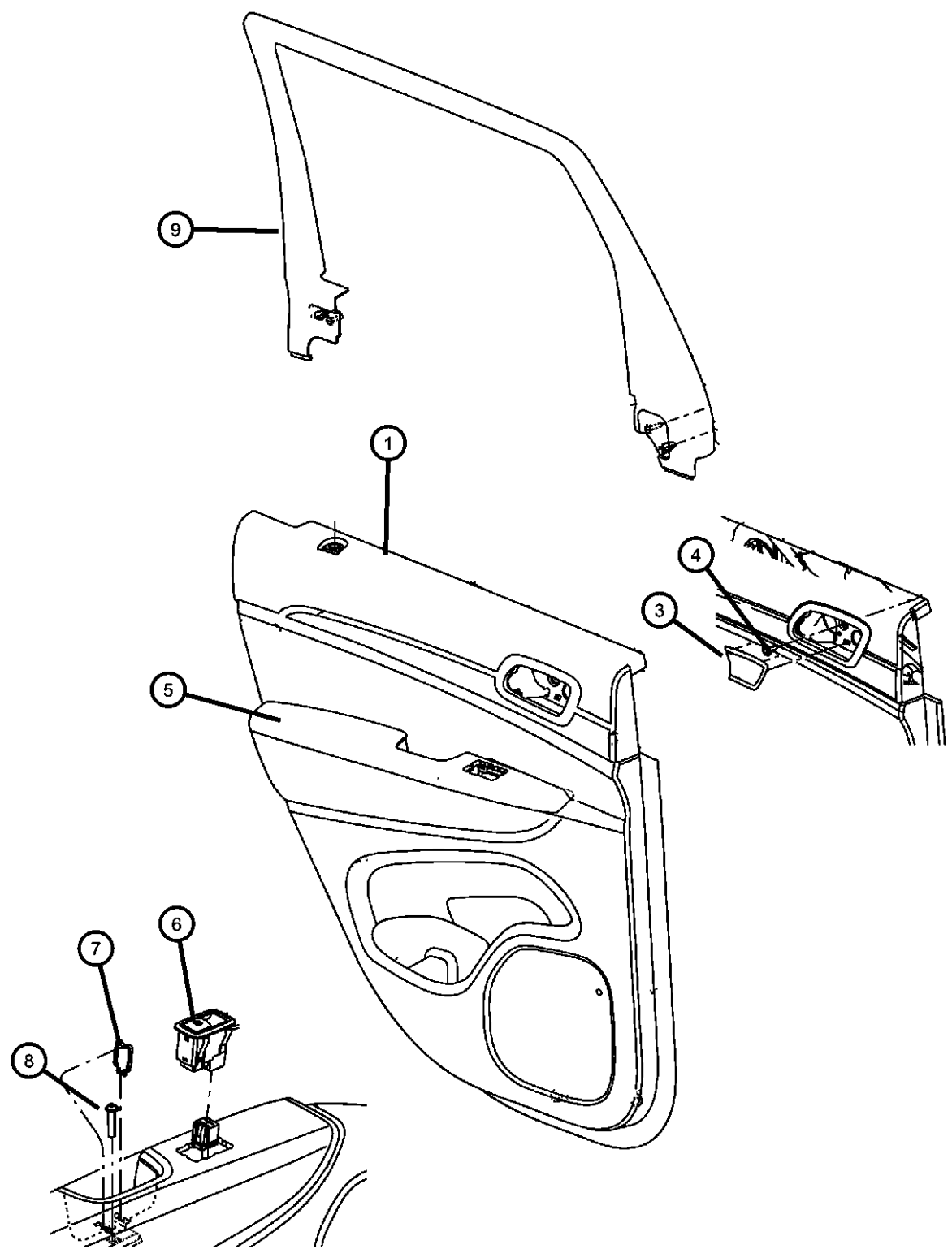
ENGINE
ERB = 3.XL Mid V6 Engine
EZH = 5.7L V8 HEMI MDS
VVT Engine
EXF = 3.0L V6 Turbo Diesel
Engine

TRANSMISSION
DGQ = 5-Spd Automatic 545RFE
Transmission
DGJ = 5-Speed Auto W5A580
Transmission

AR = use ase required - = Non illustrated part

2011 WK

Rear Door Trim Panels
Figure 50-415



ITEM	PART NUMBER	QTY	LINE	SERIES	BODY	ENGINE	TRANS	TRIM	DESCRIPTION
	1SX211X9AA	1	J, T, U		74			*00	[X9] , With [CTL], Left
	1SX321L1AA	1	J, T, U		74			*00	[L9], Right
	1SX201D3AA	1	J, T, U		74			*00	[D3], Right
	1SX201L1AA	1	J, T, U		74			*00	[XL], Right
	1SX201X9AA	1	J, T, U		74			*00	[X9] , With [CTL], Right
	1SX211D3AA	1	J, T, U		74			*00	[D3], Left
6	68030832AB	1	J, T, U		74				SWITCH, Power Window
7									COVER
	1SW161L1AA	1	J, T, U		74			*00	[XL], Right
		1	U		74			*00	[L9], Right
	1SW171D3AA	1	J, T, U		74			*00	[D3], Left
	1SW171X9AA	1	J, T, U		74			*00	[X9], Left
	1SW161D3AA	1	J, T, U		74			*00	[D3], Right
	1SW171L1AA	1	J, T, U		74			*00	[XL], Left
		1	J, T, U		74			*00	[L9], Left
	1SW171TLAA	1	J, T, U		74			*00	[XT], Left
	1SW161TLAA	1	J, T, U		74			*00	[XT], Right
	1SW161X9AA	1	J, T, U		74			*00	[X9], Right
8	06505628AA	1	J, T, U		74				SCREW AND WASHER, Tapping Hex Head, M4.2x1.41x20
9									MOLDING, Rear Door
	1GX39DX9AB	1	J, T, U		74			*00	[D3], Left
		1	J, T, U		74			*00	[L9], Left
		1	J, T, U		74			*00	[X9], Left
		1	J, T, U		74			*00	[XL], Left
		1	J, T, U		74			*00	[XT], Left
	1GX40DX9AB	1	J, T, U		74			*00	[D3], Right
		1	J, T, U		74			*00	[L9], Right
		1	J, T, U		74			*00	[X9], Right
		1	J, T, U		74			*00	[XL], Right
		1	J, T, U		74			*00	[XT], Right

GRAND CHEROKEE (WK)

SERIES LINE
H = HIGHLINE T = JEEP - 2WD
P = PREMIUM J = JEEP - 4WD
S = SPORT U = JEEP - 4WD (RHD)

BODY
74 = SPORT UTILITY 4-DR
TYPE #4

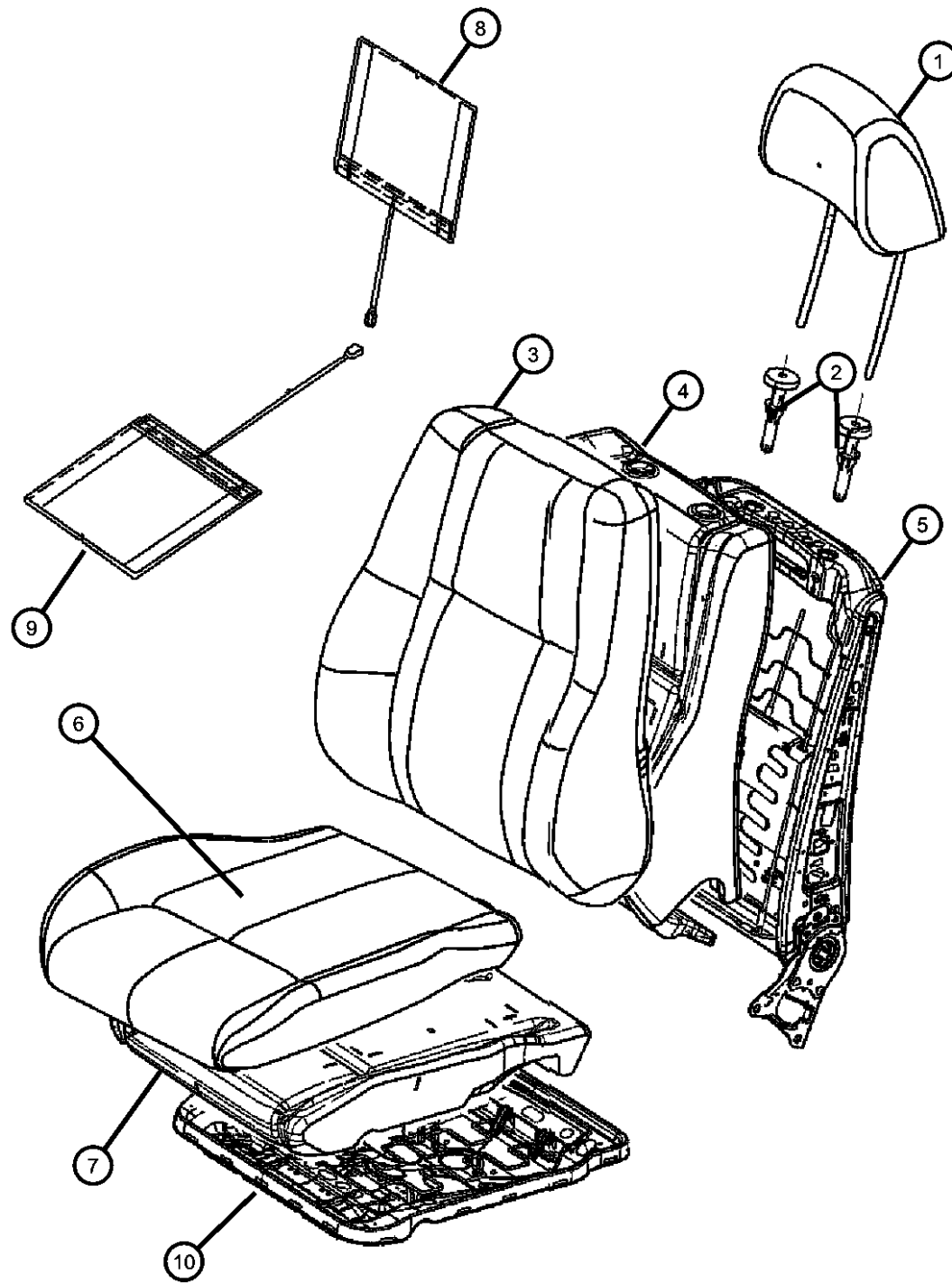
ENGINE
ERB = 3.0L Mid V6 Engine
EZH = 5.7L V8 HEMI MDS
VVT Engine
EXF = 3.0L V6 Turbo Diesel
Engine

TRANSMISSION
DGQ = 5-Spd Automatic 545RFE
Transmission
DGJ = 5-Speed Auto W5A580
Transmission

AR = use ase required - = Non illustrated part

2011 WK

**Front Seat -Bucket -Trim Code [DL]
Figure 50-505**



ITEM	PART NUMBER	QTY	LINE	SERIES	BODY	ENGINE	TRANS	TRIM	DESCRIPTION
1	1TN30DX9AA	2	J, T		74			*DL	HEADREST, Front [X9]
	1TN301L1AA	2	J, T		74			*DL	[XL]
2	1NE831L1AC	2	J, T		74			*DL	SLEEVE, Headrest [XL], Locking
	1NE841X9AC	2	J, T		74			*DL	[X9], Non-Locking
	1NE831X9AC	2	J, T		74			*DL	[X9], Locking
	1NE841L1AC	2	J, T		74			*DL	[XL], Non-Locking
3	1TN221L1AA	1	J, T		74			*DL	COVER, Front Seat Back [XL], Right
	1TN231L1AA	1	J, T		74			*DL	[XL], Left
	1TN23DX9AA	1	J, T		74			*DL	[X9], Left
	1TN22DX9AA	1	J, T		74			*DL	[X9], Right
4	68086363AA	1	J, T		74			*DL	FOAM, Seat Back Left
	68086364AA	1	J, T		74			*DL	Right
5	04610327AC	1	J, T		74			*DL	FRAME, Front Seat Back Left
	04610325AC	1	J, T		74			*DL	Right
6	1TN251L1AA	1	J, T		74			*DL	COVER, Front Seat Cushion [XL], Left
	1TN241L1AA	1	J, T		74			*DL	[XL], Right
	1TN24DX9AA	1	J, T		74			*DL	[X9], Right
	1TN25DX9AA	1	J, T		74			*DL	[X9], Left
7	68086365AA	2	J, T		74			*DL	FOAM, Seat Cushion
8	04610196AC	2	J, T		74			*DL	HEATED PAD, Seat Back, Back
9	04610198AC	2	J, T		74			*DL	HEATED PAD, Seat Cushion, Cushion
10	04610339AB	2	J, T		74			*DL	FRAME, Seat cushion

GRAND CHEROKEE (WK)

SERIES LINE
H = HIGHLINE T = JEEP - 2WD
P = PREMIUM J = JEEP - 4WD
S = SPORT U = JEEP - 4WD (RHD)

BODY
74 = SPORT UTILITY 4-DR
TYPE #4

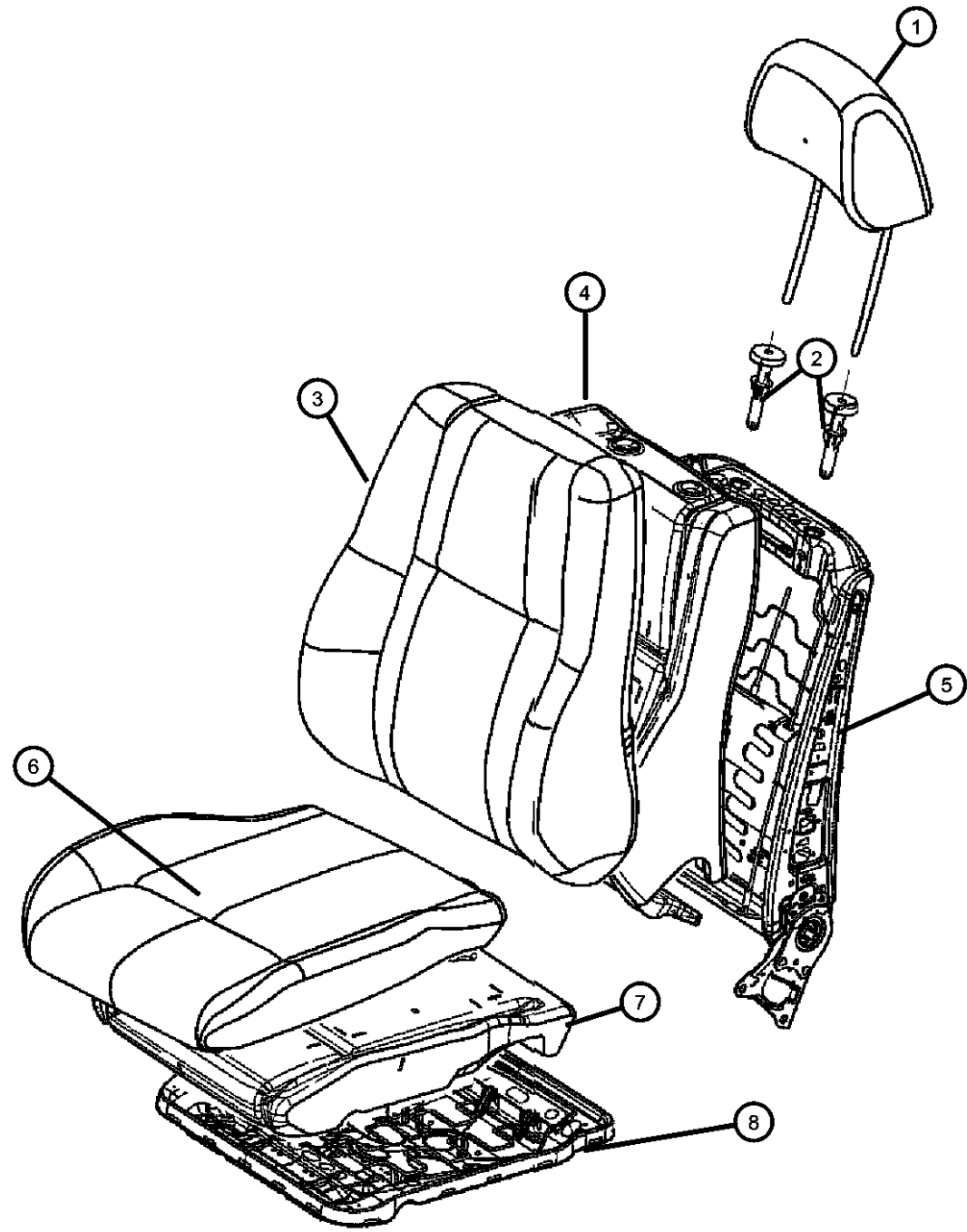
ENGINE
ERB = 3.0L Mid V6 Engine
EZH = 5.7L V8 HEMI MDS
VVT Engine
EXF = 3.0L V6 Turbo Diesel
Engine

TRANSMISSION
DGQ = 5-Spd Automatic 545RFE
Transmission
DGJ = 5-Speed Auto W5A580
Transmission

AR = use ase required - = Non illustrated part

2011 WK

**Front Seat -Bucket- Trim Code [F7]
Figure 50-507**



ITEM	PART NUMBER	QTY	LINE	SERIES	BODY	ENGINE	TRANS	TRIM	DESCRIPTION	
1	1TM21BD3AA	2	J, T		74			*F7	HEADREST, Front [D3], [JPR], [JKV]	
		2	J, T		74			*F7	[D3], [JPR]	
		2	U		74			*F7	[X9], [JTE]	
		2	J, T		74			*F7	[X9], [JPR]	
		2	J, T		74			*F7	[X9], [JPR], [JKV]	
		2	J		74			*F7	[X9], [JT4], [JPM]	
		2	J		74			*F7	[X9], [JT4]	
		2	U		74			*F7	[X9], [JTE], [JPM]	
2	1NE831X9AC	2	J, T		74			*F7	SLEEVE, Headrest [X9], [JPR], [JKV], Locking	
		2	J		74			*F7	[X9], [JT4], Locking	
		2	U		74			*F7	[X9], [JTE], [JPM], Locking	
		2	U		74			*F7	[X9], [JTE], Locking	
	1NE83BD3AC	2	J, T		74			*F7	[D3], [JPR], [JKV], Locking	
		2	J		74			*F7	[X9], [JT4], [JPM], Locking	
	1NE841X9AC	2	J, T		74			*F7	[D3], [JPR], Locking	
		2	J, T		74			*F7	[X9], [JPR], [JKV], Non-Locking	
	1NE83DX9AC	2	J, T		74			*F7	[X9], [JPR], Locking	
		2	J, T		74			*F7	[X9], [JPR], Non-Locking	
			2	U		74			*F7	[X9], [JTE], [JPM], Non-Locking
			2	U		74			*F7	[X9], [JTE], Non-Locking
	1NE84BD3AC		2	J		74			*F7	[X9], [JT4], Non-Locking
			2	J, T		74			*F7	[D3], [JPR], [JKV], Non-Locking
2		J		74			*F7	[X9], [JT4], [JPM], Non-Locking		
2		J, T		74			*F7	[D3], [JPR], Non-Locking		
3	1TM17BD3AA	1	J, T		74			*F7	COVER, Front Seat Back [D3], [JPR], Left	
		1	J, T		74			*F7	[D3], [JPR], [JKV], Left	
	1TM17DX9AA	1	U		74			*F7	[X9], [JTE], Left	
		1	J, T		74			*F7	[X9], [JPR], Left	
			1	J, T		74			*F7	[X9], [JPR], [JKV], Left
			1	J		74			*F7	[X9], [JT4], [JPM], Left
			1	J		74			*F7	[X9], [JT4], Left
			1	U		74			*F7	[X9], [JTE], [JPM], Left

GRAND CHEROKEE (WK)

SERIES LINE
H = HIGHLINE T = JEEP - 2WD
P = PREMIUM J = JEEP - 4WD
S = SPORT U = JEEP - 4WD (RHD)

BODY
74 = SPORT UTILITY 4-DR
TYPE #4

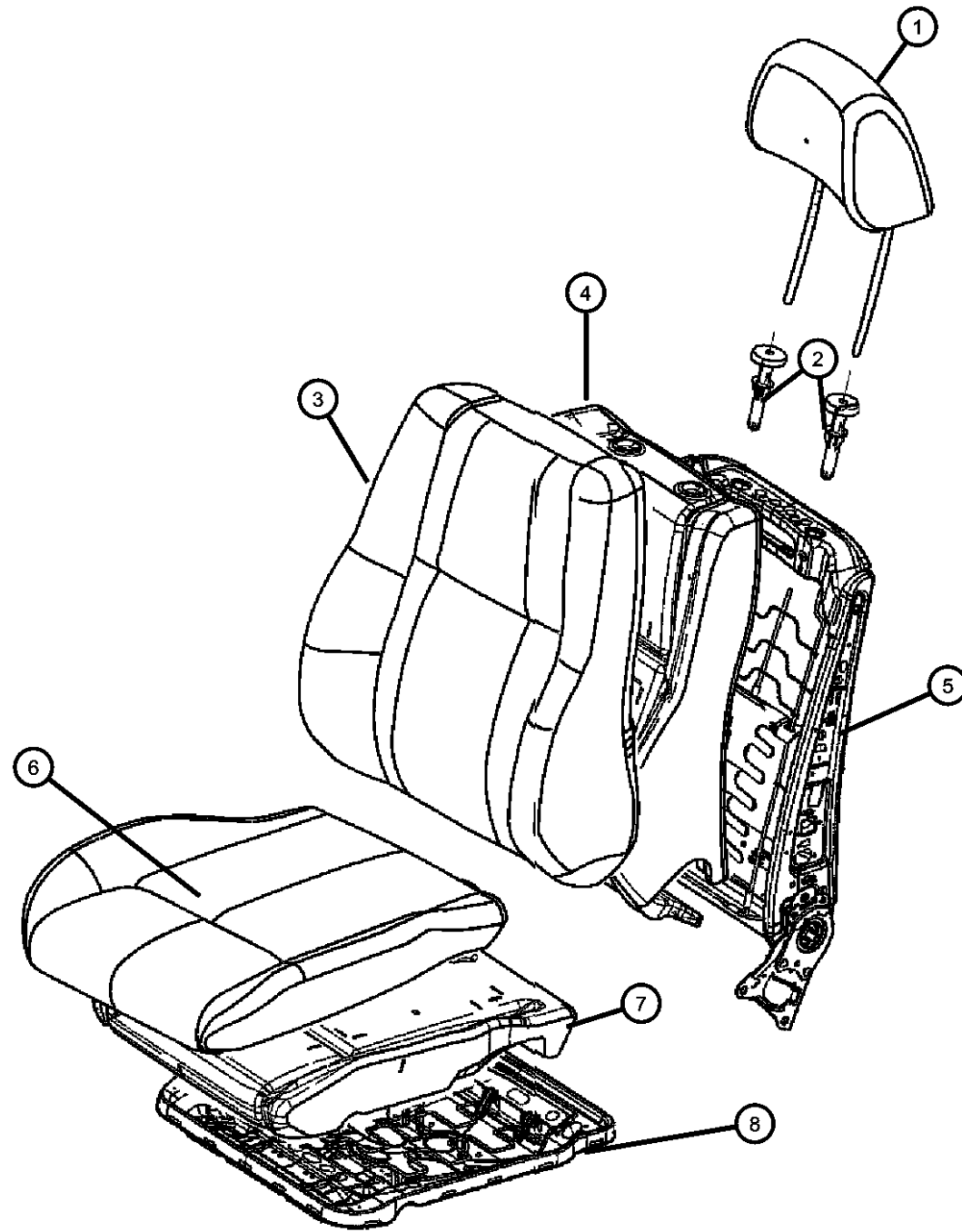
ENGINE
ERB = 3.XL Mid V6 Engine
EZH = 5.7L V8 HEMI MDS
VVT Engine
EXF = 3.0L V6 Turbo Diesel
Engine

TRANSMISSION
DGQ = 5-Spd Automatic 545RFE
Transmission
DGJ = 5-Speed Auto W5A580
Transmission

AR = use ase required - = Non illustrated part

2011 WK

**Front Seat -Bucket- Trim Code [F7]
Figure 50-507**



ITEM	PART NUMBER	QTY	LINE	SERIES	BODY	ENGINE	TRANS	TRIM	DESCRIPTION
	1TM18DX9AA	1	J, T		74			*F7	[X9], [JPR], Right
	1TM18BD3AA	1	J, T		74			*F7	[D3], [JPR], Right
		1	J, T		74			*F7	[D3], [JPR], [JKV], Right
		1	J		74			*F7	[X9], [JT4], [JPM], Right
		1	J, T		74			*F7	[X9], [JPR], [JKV], Right
		1	J		74			*F7	[X9], [JT4], Right
	1TN64DX9AA	1	U		74			*F7	[X9], [JTE], Right
		1	U		74			*F7	[X9], [JTE], [JPM], Right
4									FOAM, Seat Back
	68086191AA	1	U		74			*F7	[JTE], Left
		1	J, T		74			*F7	[JPR], Left
		1	J, T		74			*F7	[JPR], [JKV], Left
		1	J		74			*F7	[JT4], [JPM], Left
		1	J		74			*F7	[JT4], Left
		1	U		74			*F7	[JTE], [JPM], Left
	68086192AA	1	J		74			*F7	[JT4], Right
		1	J, T		74			*F7	[JPR], Right
		1	J, T		74			*F7	[JPR], [JKV], Right
	68086404AA	1	U		74			*F7	[JTE], [JPM], Right
		1	J		74			*F7	[JT4], [JPM], Right
		1	U		74			*F7	[JTE], Right
5									FRAME, Front Seat Back
	04610316AC	1	J		74			*F7	[JT4], Right
	04610314AC	1	J, T		74			*F7	[JPR], Right
		1	J, T		74			*F7	[JPR], [JKV], Right
	04610325AC	1	J, T		74			*F7	[JPR], [JKV], Left
		1	J		74			*F7	[JT4], [JPM], Right
		1	J, T		74			*F7	[JPR], Left
		2	U		74			*F7	[JTE], [JPM], Right & Left
		2	U		74			*F7	[JTE], Right & Left
		1	J		74			*F7	[JT4], Left
		1	J		74			*F7	[JT4], [JPM], Left
6									COVER, Front Seat Cushion
	1TM19BD3AA	2	J, T		74			*F7	[D3], [JPR], Right & Left

GRAND CHEROKEE (WK)

SERIES LINE
H = HIGHLINE T = JEEP - 2WD
P = PREMIUM J = JEEP - 4WD
S = SPORT U = JEEP - 4WD (RHD)

BODY
74 = SPORT UTILITY 4-DR
TYPE #4

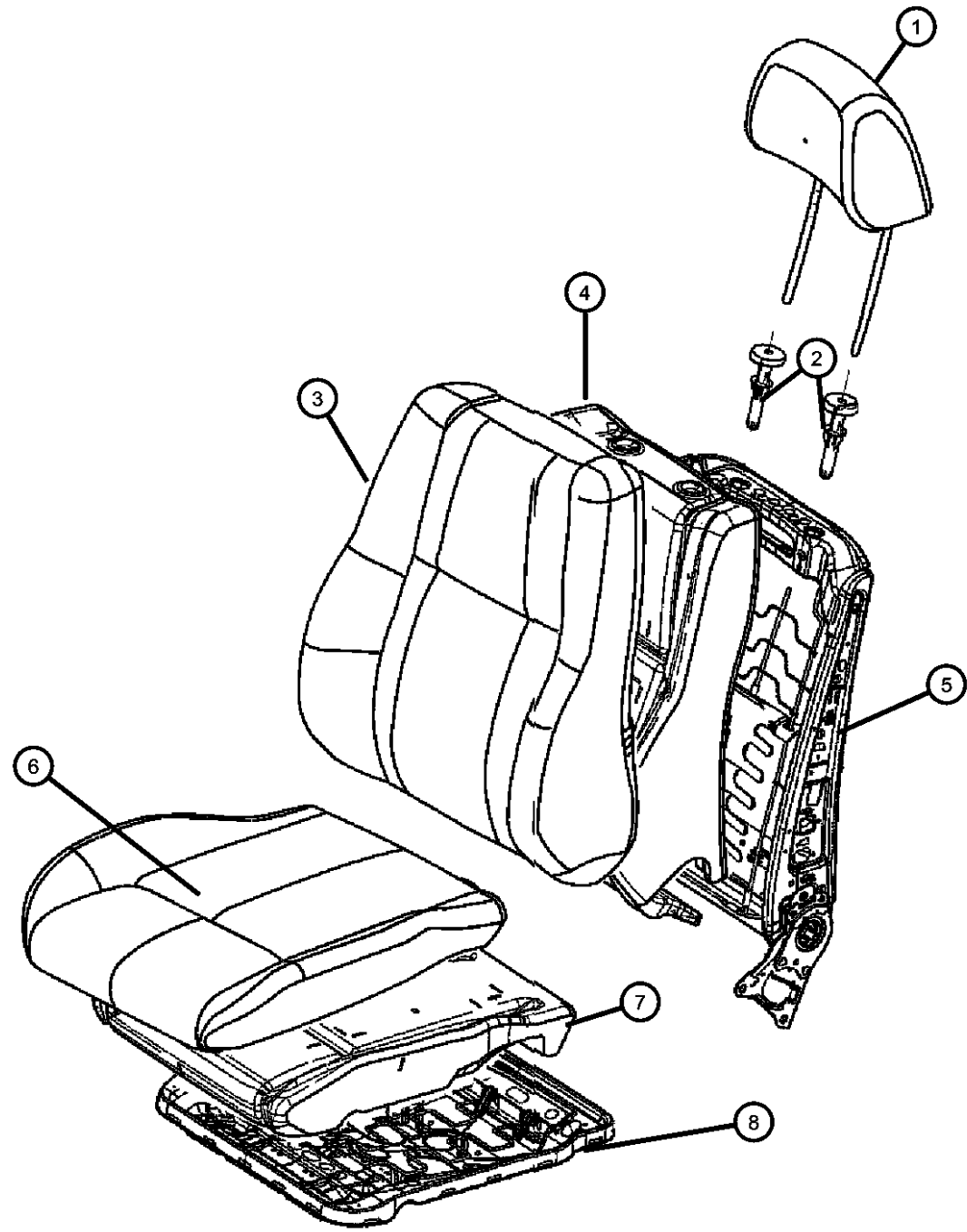
ENGINE
ERB = 3.XL Mid V6 Engine
EZH = 5.7L V8 HEMI MDS
VVT Engine
EXF = 3.0L V6 Turbo Diesel
Engine

TRANSMISSION
DGQ = 5-Spd Automatic 545RFE
Transmission
DGJ = 5-Speed Auto W5A580
Transmission

AR = use ase required - = Non illustrated part

2011 WK

**Front Seat -Bucket- Trim Code [F7]
Figure 50-507**



ITEM	PART NUMBER	QTY	LINE	SERIES	BODY	ENGINE	TRANS	TRIM	DESCRIPTION
	1TM19DX9AA	2	J, T		74			*F7	[X9], [JPR], [JKV], Right & Left
		2	J, T		74			*F7	[D3], [JPR], [JKV], Right & Left
		2	J, T		74			*F7	[X9], [JPR], Right & Left
		1	U		74			*F7	[X9], [JTE], [JPM], Right & Left
		2	U		74			*F7	[X9], [JTE], Right & Left
		2	J		74			*F7	[X9], [JT4], Right & Left
		2	J		74			*F7	[X9], [JT4], [JPM], Right & Left
7									FOAM, Seat Cushion
	68086193AA	2	U		74			*F7	[JTE], Right & Left
		2	J, T		74			*F7	[JPR], Right & Left
		2	J, T		74			*F7	[JPR], [JKV], Right & Left
		2	J		74			*F7	[JT4], [JPM], Right & Left
		2	J		74			*F7	[JT4], Right & Left
		2	U		74			*F7	[JTE], [JPM], Right & Left
8									FRAME, Seat cushion
	04610339AB	2	J, T		74			*F7	[JPR], [JKV]
		2	J, T		74			*F7	[JPR]
		2	U		74			*F7	[JTE], [JPM]
		2	U		74			*F7	[JTE]
		2	J		74			*F7	[JT4]
		2	J		74			*F7	[JT4], [JPM]

GRAND CHEROKEE (WK)

SERIES LINE
H = HIGHLINE T = JEEP - 2WD
P = PREMIUM J = JEEP - 4WD
S = SPORT U = JEEP - 4WD (RHD)

BODY
74 = SPORT UTILITY 4-DR
TYPE #4

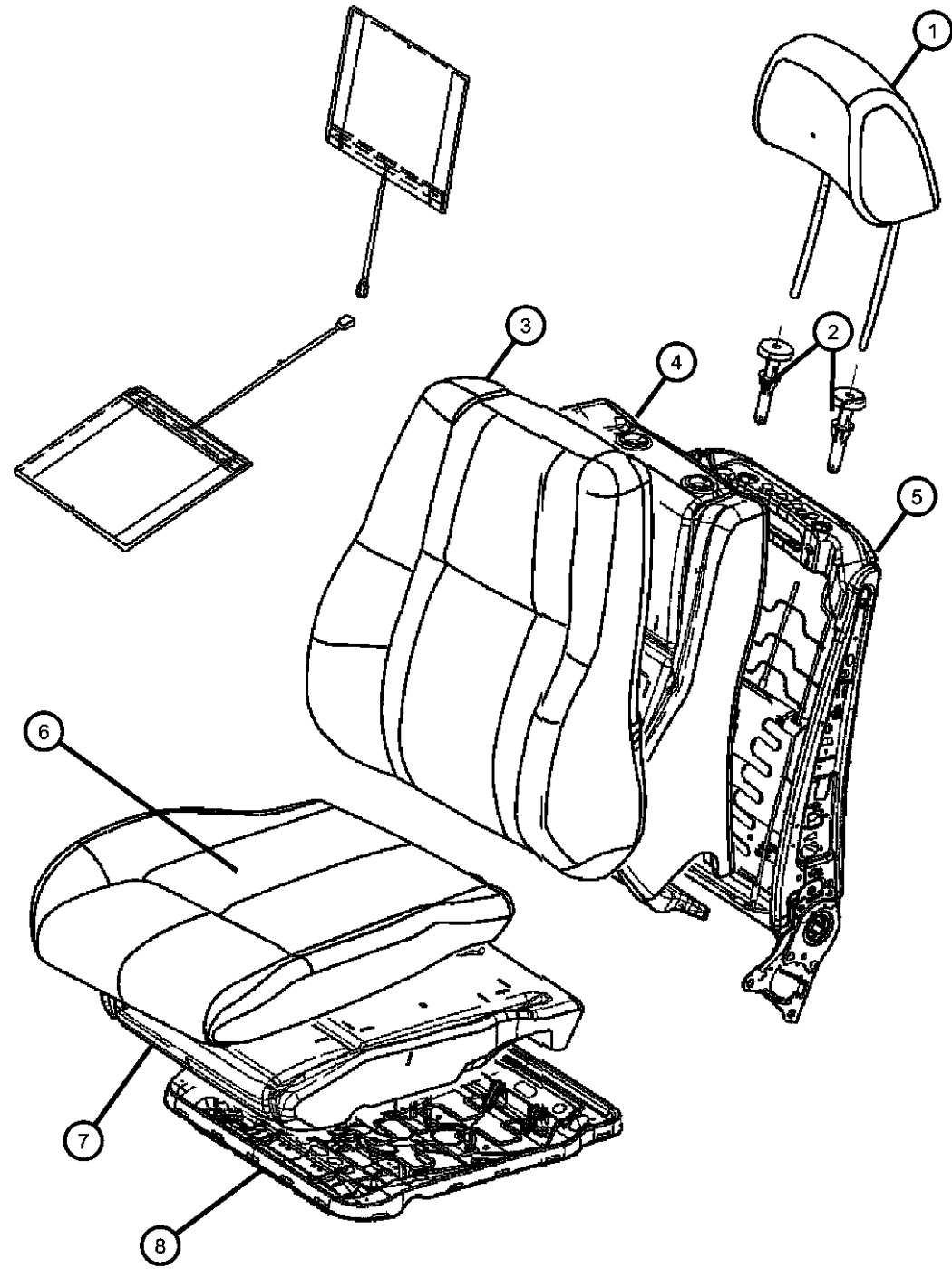
ENGINE
ERB = 3.0L Mid V6 Engine
EZH = 5.7L V8 HEMI MDS
VVT Engine
EXF = 3.0L V6 Turbo Diesel
Engine

TRANSMISSION
DGQ = 5-Speed Automatic 545RFE
Transmission
DGJ = 5-Speed Auto W5A580
Transmission

AR = use ase required - = Non illustrated part

2011 WK

**Front Seat -Bucket-Trim Code [GL]
Figure 50-508**



ITEM	PART NUMBER	QTY	LINE	SERIES	BODY	ENGINE	TRANS	TRIM	DESCRIPTION
4									FOAM, Seat Back
	68086363AA	1	J, T		74			*GL	Left
	68086364AA	1	J, T		74			*GL	Right
		1	J		74			*GL	Right
		1	J		74			*GL	Left
		1	U		74			*GL	Right
								*GL	Left
5									FRAME, Front Seat Back
	04610325AC	1	J		74			*GL	Left
		1	U		74			*GL	Right
		1	J, T		74			*GL	Left
	04610327AC	1	J		74			*GL	Right
		1	U		74			*GL	Left
								*GL	Right
6									COVER, Front Seat Cushion
	1TN391L1AA	1	J		74			*GL	[L9], Left
		1	J, T		74			*GL	[L9], Left
	1TN391X9AA	1	J		74			*GL	[X9], Left
		1	U		74			*GL	[L9], Left
		1	J, T		74			*GL	[X9], Left
	1TN401L1AA	1	J		74			*GL	[L9], Right
		1	U		74			*GL	[X9], Left
		1	J, T		74			*GL	[L9], Right
	1TN401X9AA	1	J		74			*GL	[X9], Right
		1	U		74			*GL	[L9], Right
		1	J, T		74			*GL	[X9], Right
								*GL	[X9], Right
7									FOAM, Seat Cushion
	68086365AA	2	J		74			*GL	Right & Left
		2	J, T		74			*GL	Right & Left
								*GL	Right & Left
8									FRAME, Seat cushion
	04610339AB	2	J, T		74			*GL	Right & Left

GRAND CHEROKEE (WK)

SERIES LINE
H = HIGHLINE T = JEEP - 2WD
P = PREMIUM J = JEEP - 4WD
S = SPORT U = JEEP - 4WD (RHD)

BODY
74 = SPORT UTILITY 4-DR
TYPE #4

ENGINE
ERB = 3.XL Mid V6 Engine
EZH = 5.7L V8 HEMI MDS
VVT Engine
EXF = 3.0L V6 Turbo Diesel
Engine

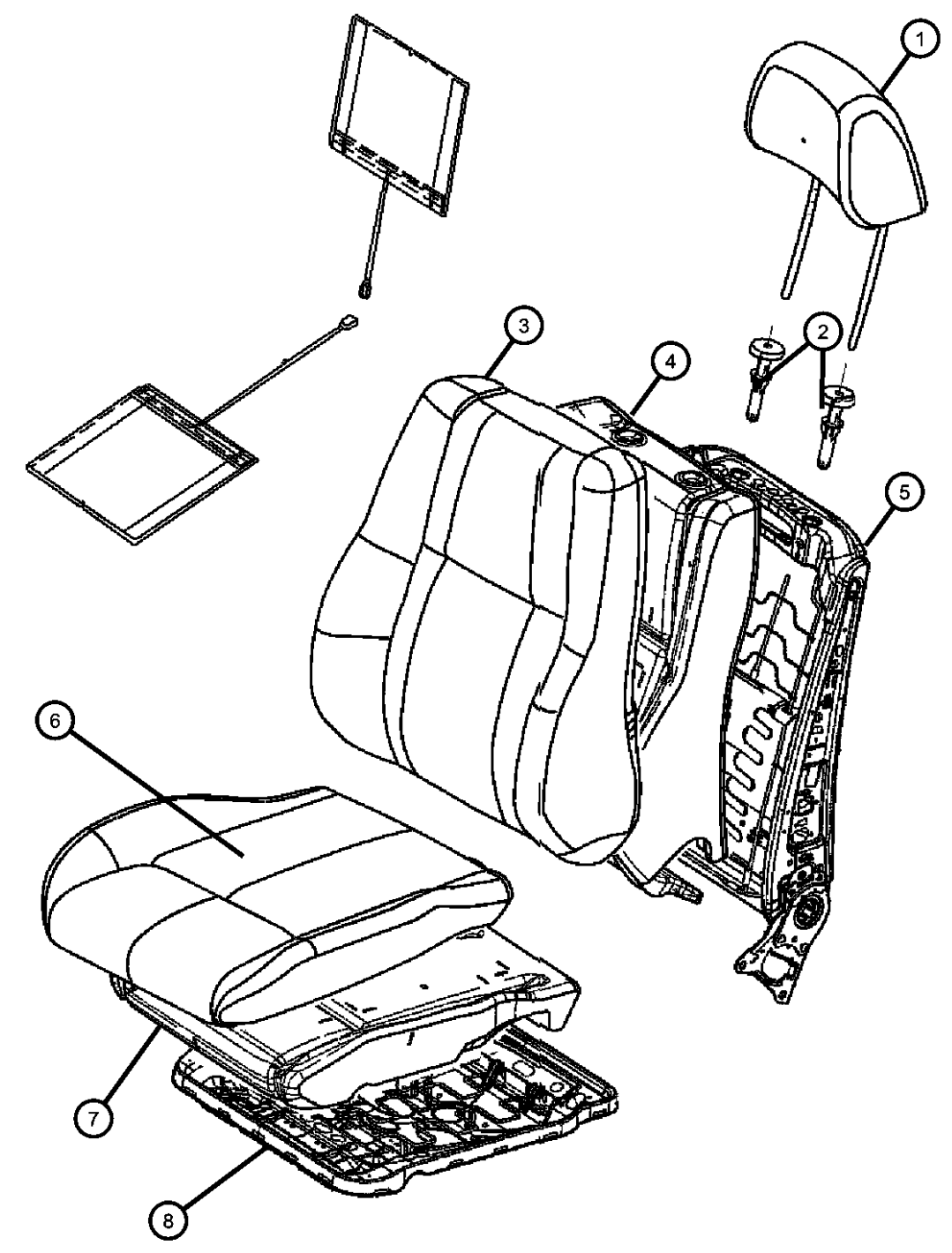
TRANSMISSION
DGQ = 5-Spd Automatic 545RFE
Transmission
DGJ = 5-Speed Auto W5A580
Transmission

AR = use ase required - = Non illustrated part

2011 WK

Front Seat -Bucket-Trim Code [GL]
Figure 50-508

ITEM	PART NUMBER	QTY	LINE	SERIES	BODY	ENGINE	TRANS	TRIM	DESCRIPTION
------	-------------	-----	------	--------	------	--------	-------	------	-------------



		1	J		74			*GL	Right & Left
		2	U		74			*GL	Right & Left

GRAND CHEROKEE (WK)

SERIES	LINE
H = HIGHLINE	T = JEEP - 2WD
P = PREMIUM	J = JEEP - 4WD
S = SPORT	U = JEEP - 4WD (RHD)

BODY
74 = SPORT UTILITY 4-DR TYPE #4

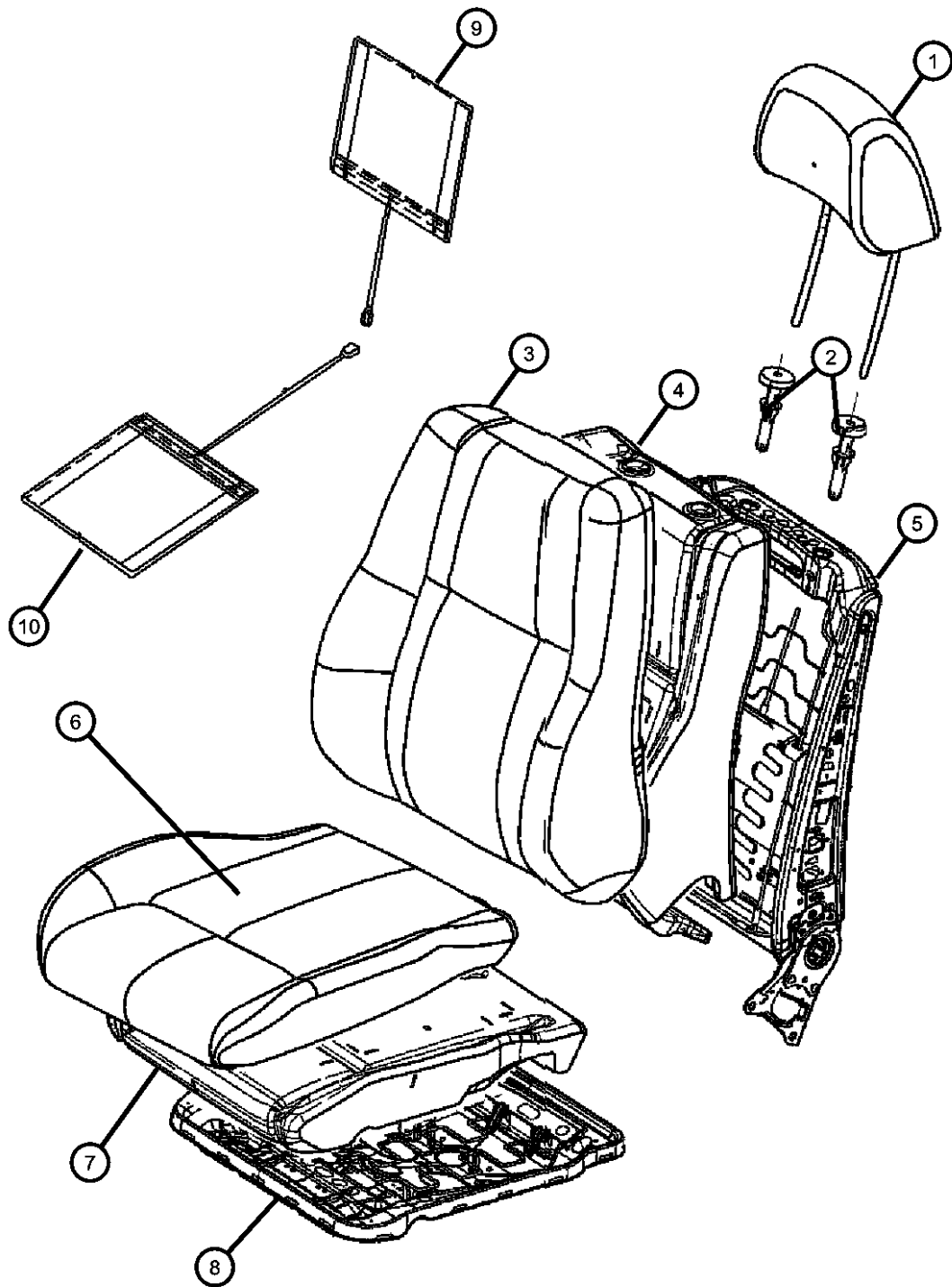
ENGINE
ERB = 3.0L Mid V6 Engine
EZH = 5.7L V8 HEMI MDS VVT Engine
EXF = 3.0L V6 Turbo Diesel Engine

TRANSMISSION
DGQ = 5-Spd Automatic 545RFE Transmission
DGJ = 5-Speed Auto W5A580 Transmission

AR = use ase required - = Non illustrated part

2011 WK

**Front Seat -Bucket-Trim Code [UL]
Figure 50-509**



ITEM	PART NUMBER	QTY	LINE	SERIES	BODY	ENGINE	TRANS	TRIM	DESCRIPTION
1	1TN301L1AA	2	J		74			*UL	HEADREST, Front [XL], [JT2], [NHS], [SUB]
		2	J		74			*UL	[XL], [JT2], [SUB]
		2	J, T		74			*UL	[XL], [JT2]
		2	U		74			*UL	[XL], [JT2], [SUB]
		2	J, T		74			*UL	[X9], [JT2]
		2	U		74			*UL	[XL], [JT2], [NHS], [SUB]
		2	J, T		74			*UL	[D3], [JTE], [JPM]
		2	J		74			*UL	[X9], [JTE], [JPM], [JPZ]
		2	J		74			*UL	[X9], [JT2], [NHS], [SUB]
		2	J		74			*UL	[X9], [JT2], [SUB]
		2	J, T		74			*UL	[X9], [JTE], [JPM]
		2	U		74			*UL	[X9], [JT2], [SUB]
		2	U		74			*UL	[X9], [JT2], [NHS], [SUB]
		2	1NE831L1AC	2	U		74		
2	J, T				74			*UL	[X9], [JT2], Locking
2	J, T				74			*UL	[XL], [JT2], Locking
2	U				74			*UL	[XL], [JT2], [SUB], Locking
2	J				74			*UL	[XL], [JT2], [NHS], [SUB], Locking
2	J				74			*UL	[XL], [JT2], [SUB], Locking
2	J				74			*UL	[X9], [JT2], [NHS], [SUB], Locking
2	U				74			*UL	[X9], [JT2], [SUB], Locking
2	J				74			*UL	[X9], [JTE], [JPM], [JPZ], Locking
2	J				74			*UL	[X9], [JT2], [SUB], Locking
2	J, T				74			*UL	[D3], [JTE], [JPM], Locking
2	U				74			*UL	[X9], [JT2], [NHS], [SUB], Locking
2	J, T				74			*UL	[X9], [JTE], [JPM], Locking
2	J				74			*UL	[XL], [JT2], [SUB], Non-Locking
2	J, T		74			*UL	[XL], [JT2], Non-Locking		
2	J		74			*UL	[XL], [JT2], [NHS], [SUB], Non-Locking		
2	J, T		74			*UL	[X9], [JT2], Non-Locking		

GRAND CHEROKEE (WK)

SERIES LINE
H = HIGHLINE T = JEEP - 2WD
P = PREMIUM J = JEEP - 4WD
S = SPORT U = JEEP - 4WD (RHD)

BODY
74 = SPORT UTILITY 4-DR
TYPE #4

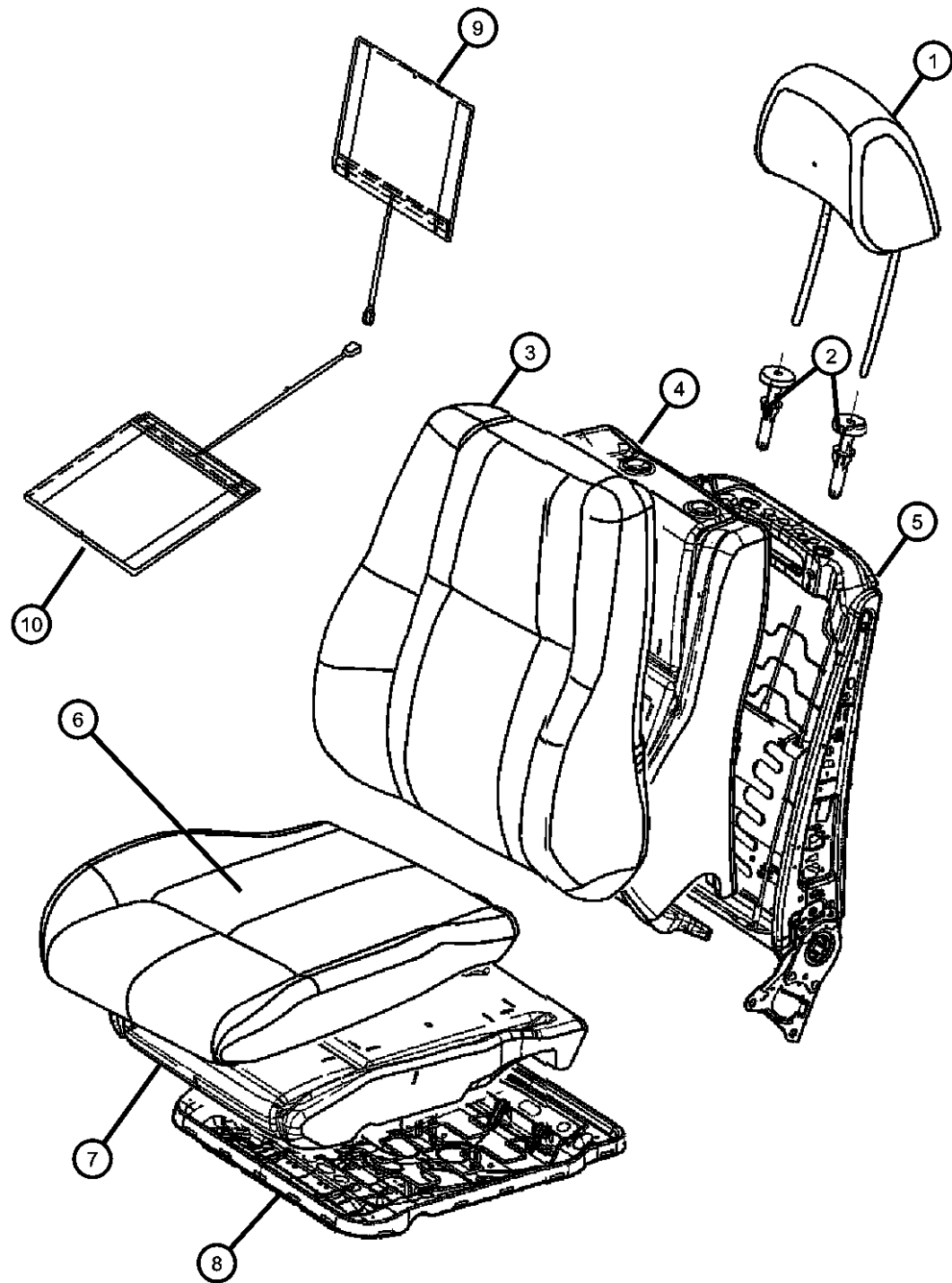
ENGINE
ERB = 3.0L Mid V6 Engine
EZH = 5.7L V8 HEMI MDS
VVT Engine
EXF = 3.0L V6 Turbo Diesel
Engine

TRANSMISSION
DGQ = 5-Spd Automatic 545RFE
Transmission
DGJ = 5-Speed Auto W5A580
Transmission

AR = use ase required - = Non illustrated part

2011 WK

**Front Seat -Bucket-Trim Code [UL]
Figure 50-509**



ITEM	PART NUMBER	QTY	LINE	SERIES	BODY	ENGINE	TRANS	TRIM	DESCRIPTION
		2	U		74			*UL	[XL], [JT2], [SUB], Non-Locking
		2	J		74			*UL	[X9], [JT2], [SUB], Non-Locking
		2	J		74			*UL	[X9], [JT2], [NHS], [SUB], Non-Locking
		2	J		74			*UL	[X9], [JTE], [JPM], [JPZ], Non-Locking
		2	J, T		74			*UL	[X9], [JTE], [JPM], Non-Locking
		2	U		74			*UL	[X9], [JT2], [SUB], Non-Locking
		2	U		74			*UL	[X9], [JT2], [NHS], [SUB], Non-Locking
	1NE84BD3AC	2	J, T		74			*UL	[D3], [JTE], [JPM], Non-Locking
		2	U		74			*UL	[XL], [JT2], [NHS], [SUB], Non-Locking
3									COVER, Front Seat Back
	1TN541L1AA	1	J, T		74			*UL	[XL], [JT2], Right
		1	J		74			*UL	[XL], [JT2], [SUB], Right
	1TN54DX9AA	1	J		74			*UL	[X9], [JT2], [NHS], [SUB], Right
	1TN54BD3AA	1	J, T		74			*UL	[D3], [JTE], [JPM], Right
		1	J, T		74			*UL	[X9], [JT2], Right
		1	U		74			*UL	[X9], [JT2], [SUB], Right
		1	J		74			*UL	[X9], [JT2], [SUB], Right
		1	J		74			*UL	[X9], [JTE], [JPM], [JPZ], Right
	1TN551L1AA	1	J, T		74			*UL	[XL], [JT2], Left
		1	J		74			*UL	[XL], [JT2], [NHS], [SUB], Right
		1	U		74			*UL	[XL], [JT2], [SUB], Right
		1	U		74			*UL	[XL], [JT2], [NHS], [SUB], Right
	1TN55DX9AA	1	J, T		74			*UL	[X9], [JT2], Left
		1	U		74			*UL	[XL], [JT2], [NHS], [SUB], Left
	1TN55BD3AA	1	J, T		74			*UL	[D3], [JTE], [JPM], Left
		1	J		74			*UL	[X9], [JTE], [JPM], [JPZ], Left
		1	J		74			*UL	[X9], [JT2], [NHS], [SUB], Left
		1	J		74			*UL	[X9], [JT2], [SUB], Left
		1	U		74			*UL	[X9], [JT2], [NHS], [SUB], Right
		1	J, T		74			*UL	[X9], [JTE], [JPM], Right
		1	U		74			*UL	[XL], [JT2], [SUB], Left
		1	J		74			*UL	[XL], [JT2], [NHS], [SUB], Left

GRAND CHEROKEE (WK)

SERIES LINE
H = HIGHLINE T = JEEP - 2WD
P = PREMIUM J = JEEP - 4WD
S = SPORT U = JEEP - 4WD (RHD)

BODY
74 = SPORT UTILITY 4-DR
TYPE #4

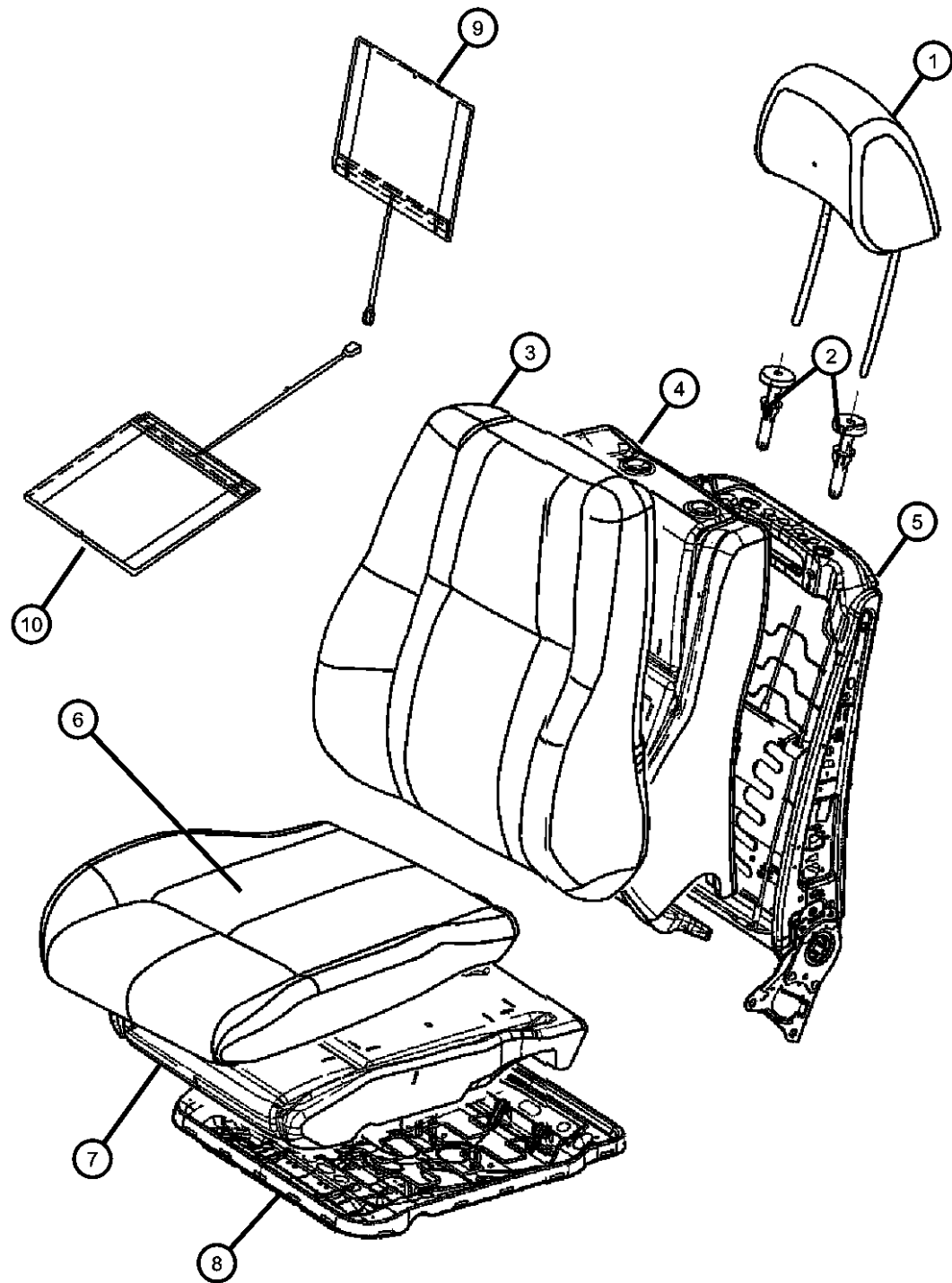
ENGINE
ERB = 3.0L Mid V6 Engine
EZH = 5.7L V8 HEMI MDS
VVT Engine
EXF = 3.0L V6 Turbo Diesel
Engine

TRANSMISSION
DGQ = 5-Spd Automatic 545RFE
Transmission
DGJ = 5-Speed Auto W5A580
Transmission

AR = use ase required - = Non illustrated part

2011 WK

**Front Seat -Bucket-Trim Code [UL]
Figure 50-509**



ITEM	PART NUMBER	QTY	LINE	SERIES	BODY	ENGINE	TRANS	TRIM	DESCRIPTION
		1	J		74			*UL	[XL], [JT2], [SUB], Left
		1	J, T		74			*UL	[X9], [JTE], [JPM], Left
		1	U		74			*UL	[X9], [JT2], [SUB], Left
		1	U		74			*UL	[X9], [JT2], [NHS], [SUB], Left
4									FOAM, Seat Back
	68086191AA	1	J		74			*UL	[JT2], [NHS], [SUB], Right
	68086404AA	1	J		74			*UL	[JT2], [NHS], [SUB], Left
		1	U		74			*UL	[JT2], [NHS], [SUB], Right
		1	J, T		74			*UL	[JTE], [JPM], Right
		1	J		74			*UL	[JT2], [SUB], Left
		1	J, T		74			*UL	[JT2], Right
		1	U		74			*UL	[JT2], [SUB], Right
		1	J		74			*UL	[JTE], [JPM], [JPZ], Right
		1	J		74			*UL	[JT2], [SUB], Right
		1	J, T		74			*UL	[JT2], Left
		1	U		74			*UL	[JT2], [SUB], Left
		1	J		74			*UL	[JTE], [JPM], [JPZ], Left
		1	U		74			*UL	[JT2], [NHS], [SUB], Left
		1	J, T		74			*UL	[JTE], [JPM], Left
5									FRAME, Front Seat Back
	04610325AC	1	J		74			*UL	[JT2], [NHS], [SUB], Left
	04610327AC	1	J, T		74			*UL	[JT2], Right
		1	U		74			*UL	[JT2], [NHS], [SUB], Left
		2	J, T		74			*UL	[JTE], [JPM], Right & Left
		1	U		74			*UL	[JT2], [SUB], Right
		1	J		74			*UL	[JT2], [NHS], [SUB], Right
		1	J		74			*UL	[JT2], [SUB], Right
		1	U		74			*UL	[JT2], [NHS], [SUB], Right
		1	J, T		74			*UL	[JT2], Left
		1	U		74			*UL	[JT2], [SUB], Left
		1	J		74			*UL	[JT2], [SUB], Left
		2	J		74			*UL	[JTE], [JPM], [JPZ], Right & Left
6									COVER, Front Seat Cushion
	1TN561L1AA	1	U		74			*UL	[XL], [JT2], [SUB], Right

GRAND CHEROKEE (WK)

SERIES LINE
H = HIGHLINE T = JEEP - 2WD
P = PREMIUM J = JEEP - 4WD
S = SPORT U = JEEP - 4WD (RHD)

BODY
74 = SPORT UTILITY 4-DR
TYPE #4

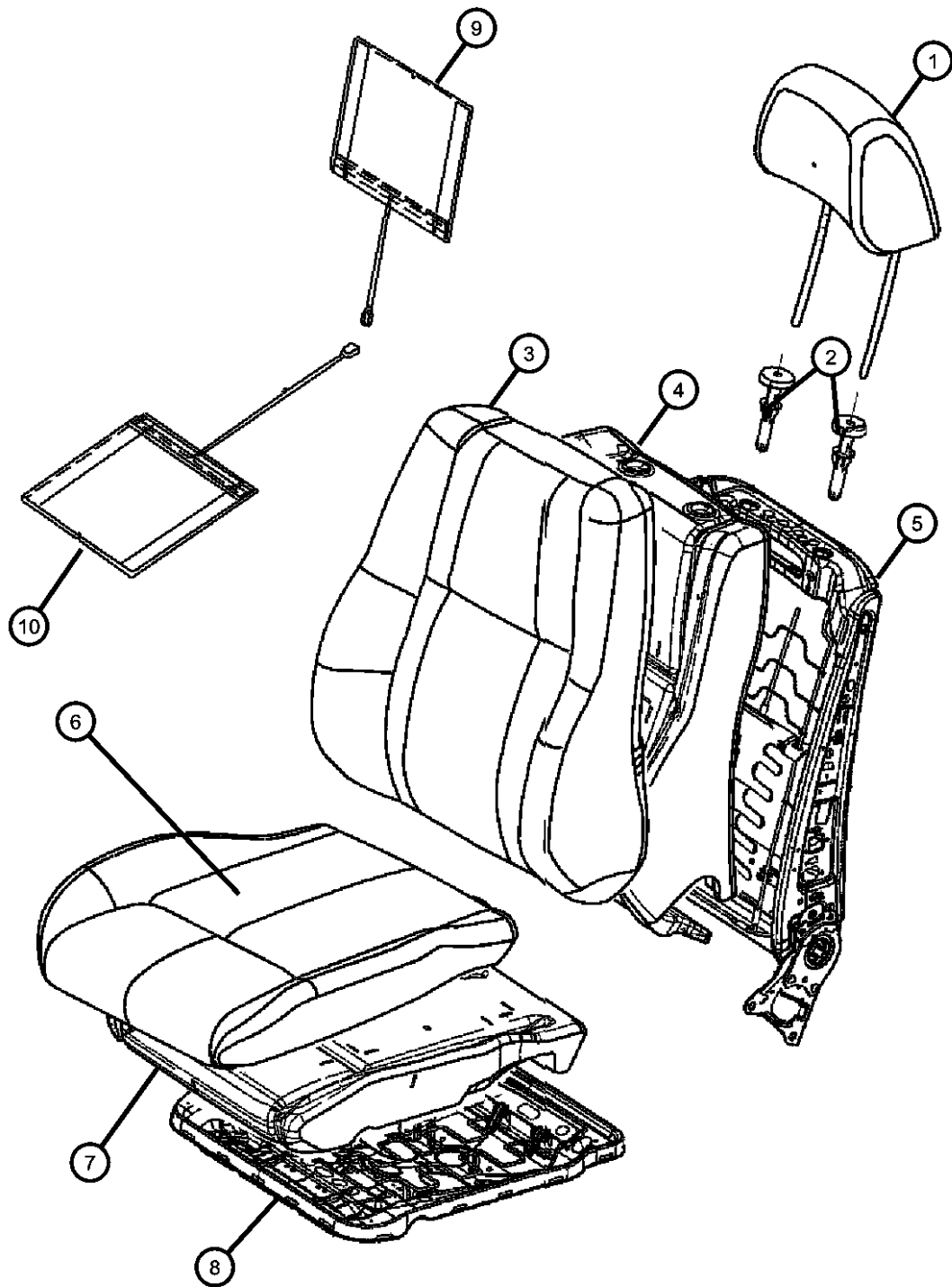
ENGINE
ERB = 3.0L Mid V6 Engine
EZH = 5.7L V8 HEMI MDS
VVT Engine
EXF = 3.0L V6 Turbo Diesel
Engine

TRANSMISSION
DGQ = 5-Spd Automatic 545RFE
Transmission
DGJ = 5-Speed Auto W5A580
Transmission

AR = use ase required - = Non illustrated part

2011 WK

**Front Seat -Bucket-Trim Code [UL]
Figure 50-509**



ITEM	PART NUMBER	QTY	LINE	SERIES	BODY	ENGINE	TRANS	TRIM	DESCRIPTION
		1	U		74			*UL	[XL], [JT2], [NHS], [SUB], Right
	1TN56DX9AA	1	J		74			*UL	[X9], [JT2], [SUB], Right
		1	J, T		74			*UL	[X9], [JT2], Right
		1	J		74			*UL	[XL], [JT2], [SUB], Right
		1	J, T		74			*UL	[XL], [JT2], Right
	1TN56BD3AA	1	J		74			*UL	[XL], [JT2], [NHS], [SUB], Right
	1TN571L1AA	1	J, T		74			*UL	[D3], [JTE], [JPM], Right
	1TN57DX9AA	1	U		74			*UL	[XL], [JT2], [SUB], Left
		1	J		74			*UL	[X9], [JT2], [NHS], [SUB], Left
		1	J		74			*UL	[X9], [JT2], [NHS], [SUB], Right
		1	U		74			*UL	[X9], [JT2], [NHS], [SUB], Right
		1	J		74			*UL	[X9], [JTE], [JPM], [JPZ], Right
		1	U		74			*UL	[X9], [JT2], [SUB], Right
		1	J		74			*UL	[XL], [JT2], [NHS], [SUB], Left
		1	J, T		74			*UL	[X9], [JTE], [JPM], Right
		1	J, T		74			*UL	[XL], [JT2], Left
		1	U		74			*UL	[XL], [JT2], [NHS], [SUB], Left
	1TN57BD3AA	1	J		74			*UL	[XL], [JT2], [SUB], Left
		1	J, T		74			*UL	[D3], [JTE], [JPM], Left
		1	J, T		74			*UL	[X9], [JT2], Left
		1	U		74			*UL	[X9], [JT2], [SUB], Left
		1	J		74			*UL	[X9], [JT2], [SUB], Left
		1	J		74			*UL	[X9], [JTE], [JPM], [JPZ], Left
		1	U		74			*UL	[X9], [JT2], [NHS], [SUB], Left
		1	J, T		74			*UL	[X9], [JTE], [JPM], Left
7									FOAM, Seat Cushion
	68086193AA	2	J		74			*UL	[JTE], [JPM], [JPZ], Right & Left
		2	J, T		74			*UL	[JT2], Right & Left
		2	J		74			*UL	[JT2], [NHS], [SUB], Right & Left
		2	U		74			*UL	[JT2], [NHS], [SUB], Right & Left
		2	J		74			*UL	[JT2], [SUB], Right & Left
		2	U		74			*UL	[JT2], [SUB], Right & Left
		2	J, T		74			*UL	[JTE], [JPM], Right & Left
8									FRAME, Seat cushion

GRAND CHEROKEE (WK)

SERIES LINE
H = HIGHLINE T = JEEP - 2WD
P = PREMIUM J = JEEP - 4WD
S = SPORT U = JEEP - 4WD (RHD)

BODY
74 = SPORT UTILITY 4-DR
TYPE #4

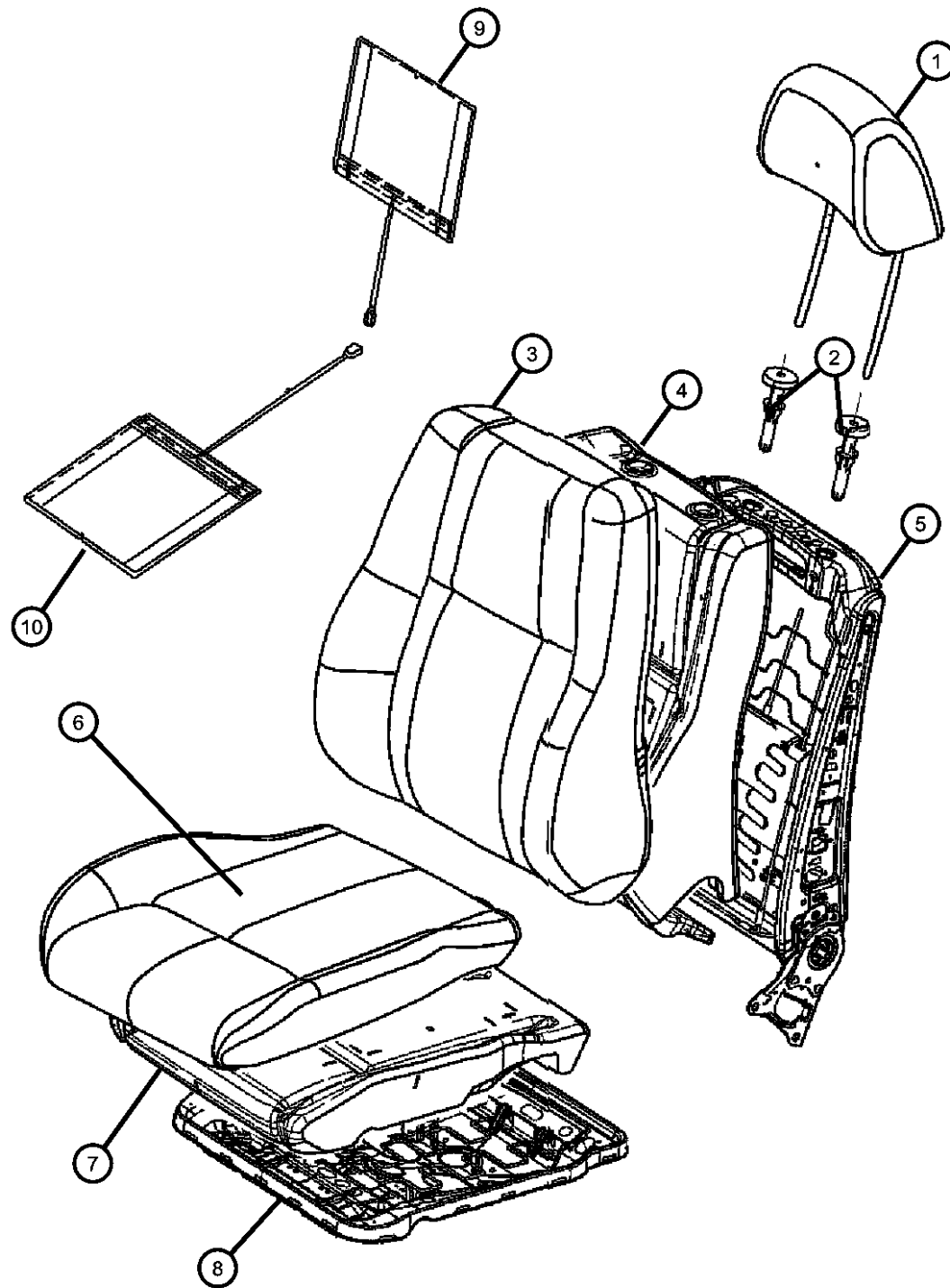
ENGINE
ERB = 3.0L Mid V6 Engine
EZH = 5.7L V8 HEMI MDS
VVT Engine
EXF = 3.0L V6 Turbo Diesel
Engine

TRANSMISSION
DGQ = 5-Speed Automatic 545RFE
Transmission
DGJ = 5-Speed Auto W5A580
Transmission

AR = use ase required - = Non illustrated part

2011 WK

**Front Seat -Bucket-Trim Code [UL]
Figure 50-509**



ITEM	PART NUMBER	QTY	LINE	SERIES	BODY	ENGINE	TRANS	TRIM	DESCRIPTION
	04610339AB	2	J		74			*UL	[JT2], [NHS], [SUB], Right & Left
		2	J, T		74			*UL	[JT2], Right & Left
		2	U		74			*UL	[JT2], [NHS], [SUB], Right & Left
		2	J, T		74			*UL	[JTE], [JPM], Right & Left
		2	U		74			*UL	[JT2], [SUB], Right & Left
		2	J		74			*UL	[JT2], [SUB], Right & Left
		2	J		74			*UL	[JTE], [JPM], [JPZ], Right & Left
9	04610232AD	2	J, T		74			*UL	HEATED PAD, Seat Back, Back
		2	J		74			*UL	[JT2], [NHS], [SUB]
		2	J		74			*UL	[JT2], [SUB]
		2	U		74			*UL	[JT2], [SUB]
		2	J		74			*UL	[JTE], [JPM], [JPZ]
		2	U		74			*UL	[JT2], [NHS], [SUB]
		2	J, T		74			*UL	[JTE], [JPM]
10	04610230AD	2	J		74			*UL	HEATED PAD, Seat Cushion, Cushion
		2	U		74			*UL	[JT2], [SUB]
		2	J		74			*UL	[JTE], [JPM], [JPZ]
		2	J, T		74			*UL	[JT2]
		2	J		74			*UL	[JT2], [NHS], [SUB]
		2	U		74			*UL	[JT2], [NHS], [SUB]
		2	J, T		74			*UL	[JTE], [JPM]

GRAND CHEROKEE (WK)

SERIES LINE
H = HIGHLINE T = JEEP - 2WD
P = PREMIUM J = JEEP - 4WD
S = SPORT U = JEEP - 4WD (RHD)

BODY
74 = SPORT UTILITY 4-DR
TYPE #4

ENGINE
ERB = 3.0L Mid V6 Engine
EZH = 5.7L V8 HEMI MDS
VVT Engine
EXF = 3.0L V6 Turbo Diesel
Engine

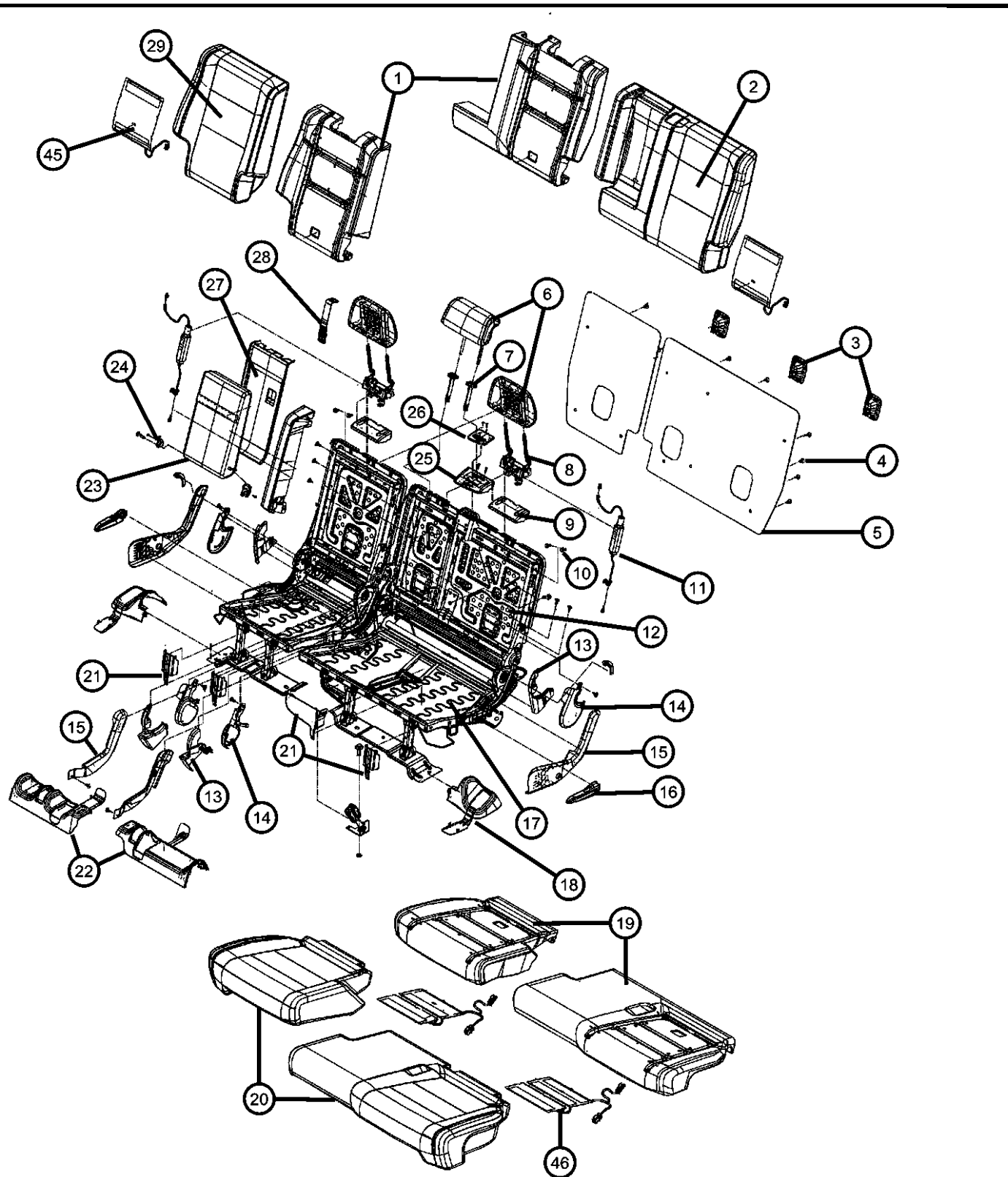
TRANSMISSION
DGQ = 5-Spd Automatic 545RFE
Transmission
DGJ = 5-Speed Auto W5A580
Transmission

AR = use ase required - = Non illustrated part

2011 WK

Rear Seat - 60/40 Seat -Trim Code [DL]

Figure 50-605



ITEM	PART NUMBER	QTY	LINE	SERIES	BODY	ENGINE	TRANS	TRIM	DESCRIPTION
1									FOAM, Seat Back
	68086221AA	1	J, T		74			*DL	Left
	68086218AA	1	J, T		74			*DL	Right
2									COVER, Rear Seat Back, 60%
	1TN27DX9AA	1	J, T		74			*DL	[X9], Left
	1TN271L1AA	1	J, T		74			*DL	[XL], Left
3									BEZEL, TETHER
	1TM751H1AA	3	J, T		74			*DL	[XL]
	1TM75DX9AA	3	J, T		74			*DL	[X9]
4	68086235AA	23	J, T		74			*DL	RETAINER
5									PANEL, Seat Back
	68086216AA	1	J, T		74			*DL	Right
	68086217AA	1	J, T		74			*DL	Left
6									HEADREST, Second Row
	1TN33DX9AA	1	J, T		74			*DL	[X9], Center
	1TN331L1AA	1	J, T		74			*DL	[XL], Center
	1TN341L1AA	2	J, T		74			*DL	[XL], Right & Left
	1TN34DX9AA	2	J, T		74			*DL	[X9], Right & Left
7									SLEEVE, Headrest
	1TM711L1AA	1	J, T		74			*DL	[XL], Locking
	1TM72DX9AA	1	J, T		74			*DL	[X9], Non-Locking
	1TM711X9AA	1	J, T		74			*DL	[X9], Locking
	1TM721L1AA	1	J, T		74			*DL	[XL], Non-Locking
8	68086211AA	2	J, T		74			*DL	BRACKET, Pivot
9									SHIELD, Recliner, Headrest Mechanism
	1TM80DX9AA	2	J, T		74			*DL	[XL]
		2	J, T		74			*DL	[X9]
10	68030757AB	4	J, T		74			*DL	BOLT
11	68086212AA	2	J, T		74			*DL	CABLE
12									FRAME, Rear Seat Back
	68085347AA	1	J, T, U		74				Right
	68085348AA	1	J, T, U		74				Left
13									COVER, Rear Seat Pivot, Lower Bracket
	1TM541L1AA	1	J, T		74			*DL	[XL], Right, Inboard

GRAND CHEROKEE (WK)

SERIES LINE
 H = HIGHLINE T = JEEP - 2WD
 P = PREMIUM J = JEEP - 4WD
 S = SPORT U = JEEP - 4WD (RHD)

BODY
 74 = SPORT UTILITY 4-DR
 TYPE #4

ENGINE
 ERB = 3.0L Mid V6 Engine
 EZH = 5.7L V8 HEMI MDS
 VVT Engine
 EXF = 3.0L V6 Turbo Diesel
 Engine

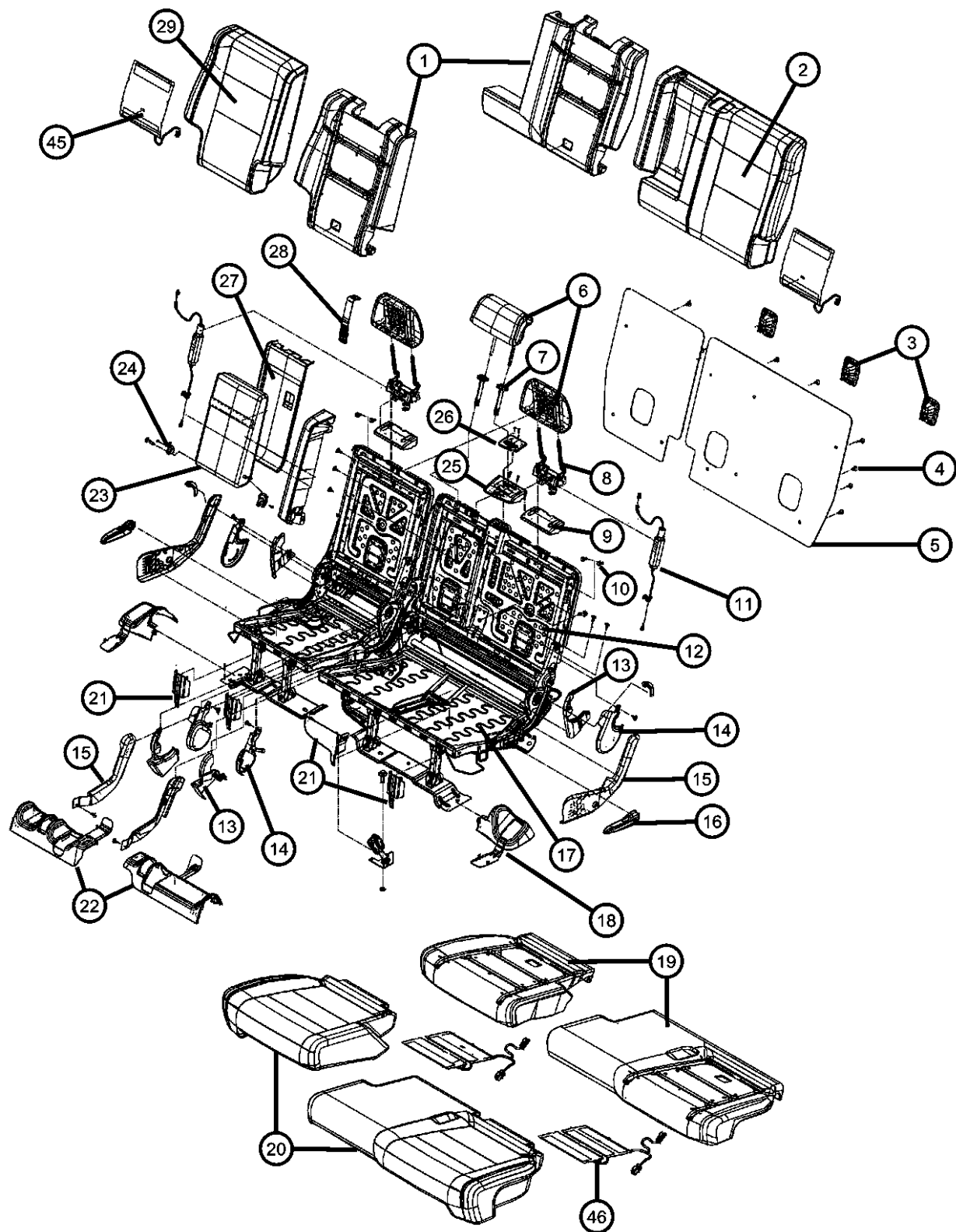
TRANSMISSION
 DGQ = 5-Spd Automatic 545RFE
 Transmission
 DGJ = 5-Speed Auto W5A580
 Transmission

AR = use ase required - = Non illustrated part

2011 WK

Rear Seat - 60/40 Seat -Trim Code [DL]

Figure 50-605



ITEM	PART NUMBER	QTY	LINE	SERIES	BODY	ENGINE	TRANS	TRIM	DESCRIPTION
	1TM531L1AA	1	J, T		74			*DL	[XL], Right, Outboard
	1TM53DX9AA	1	J, T		74			*DL	[X9], Right, Outboard
	1TM55DX9AA	1	J, T		74			*DL	[X9], Left, Outboard
	1TM54DX9AA	1	J, T		74			*DL	[X9], Right, Inboard
	1TM551L1AA	1	J, T		74			*DL	[XL], Left, Outboard
	1TM561L1AA	1	J, T		74			*DL	[XL], Left, Inboard
	1TM56DX9AA	1	J, T		74			*DL	[X9], Left, Inboard
14									SHIELD, Recliner, Upper Pivot
	1TM67DX9AA	1	J, T		74			*DL	[X9], Right, Outboard
	1TM671L1AA	1	J, T		74			*DL	[XL], Right, Outboard
	1TM691L1AA	1	J, T		74			*DL	[XL], Left, Outboard
	1TM681L1AA	1	J, T		74			*DL	[XL], Right, Inboard
	1TM68DX9AA	1	J, T		74			*DL	[X9], Right, Inboard
	1TM70DX9AA	1	J, T		74			*DL	[X9], Left, Inboard
	1TM69DX9AA	1	J, T		74			*DL	[X9], Left, Outboard
	1TM701L1AA	1	J, T		74			*DL	[XL], Left, Inboard
15									SHIELD, Recliner, Drivelink
	1TM631L1AA	1	J, T		74			*DL	[XL], Right, Outboard
	1TM64DX9AA	1	J, T		74			*DL	[X9], Right, Inboard
	1TM63DX9AA	1	J, T		74			*DL	[X9], Right, Outboard
	1TM641L1AA	1	J, T		74			*DL	[XL], Right, Inboard
	1TM661L1AA	1	J, T		74			*DL	[XL], Left, Inboard
	1TM651L1AA	1	J, T		74			*DL	[XL], Left, Outboard
	1TM65DX9AA	1	J, T		74			*DL	[X9], Left, Outboard
	1TM66DX9AA	1	J, T		74			*DL	[X9], Left, Inboard
16									HANDLE, Recliner
	1TM57DX9AA	1	J, T		74			*DL	[X9], Left
	1TM571L1AA	1	J, T		74			*DL	[XL], Left
	1TM581L1AA	1	J, T		74			*DL	[XL], Right
	1TM58DX9AA	1	J, T		74			*DL	[X9], Right
17									FRAME, Seat cushion
	68085350AA	1	J, T, U		74				Left
	68085349AA	1	J, T, U		74				Right
18									COVER, Seat Base, End Cap

GRAND CHEROKEE (WK)

SERIES LINE
 H = HIGHLINE T = JEEP - 2WD
 P = PREMIUM J = JEEP - 4WD
 S = SPORT U = JEEP - 4WD (RHD)

BODY
 74 = SPORT UTILITY 4-DR
 TYPE #4

ENGINE
 ERB = 3.0L Mid V6 Engine
 EZH = 5.7L V8 HEMI MDS
 VVT Engine
 EXF = 3.0L V6 Turbo Diesel
 Engine

TRANSMISSION
 DGQ = 5-Spd Automatic 545RFE
 Transmission
 DGJ = 5-Speed Auto W5A580
 Transmission

AR = use ase required - = Non illustrated part

2011 WK

Rear Seat - 60/40 Seat -Trim Code [DL]

Figure 50-605

ITEM	PART NUMBER	QTY	LINE	SERIES	BODY	ENGINE	TRANS	TRIM	DESCRIPTION
	1TM861L1AA	1	J, T		74			*DL	[XL], Right
	1TM88DX9AA	1	J, T		74			*DL	[X9], Left
	1TM86DX9AA	1	J, T		74			*DL	[X9], Right
	1TM881L1AA	1	J, T		74			*DL	[XL], Left
	19								FOAM, Seat Cushion
	68086225AA	1	J, T		74			*DL	Right
	68086323AA	1	J, T		74			*DL	Left
	20								COVER, Rear Seat Cushion
	1TN291L1AA	1	J, T		74			*DL	[XL], Left
	1TN281L1AA	1	J, T		74			*DL	[XL], Right
	1TN28DX9AA	1	J, T		74			*DL	[X9], Right
	1TN29DX9AA	1	J, T		74			*DL	[X9], Left
	21								SHIELD, RISER, Pivot Leg
	1TM591L1AA	3	J, T		74			*DL	[XL]
	1TM61DX9AA	1	J, T		74			*DL	[X9], Left, Inboard
	1TM59DX9AA	3	J, T		74			*DL	[X9]
	1TM611L1AA	1	J, T		74			*DL	[XL], Left, Inboard
	22								SHIELD, RISER, Front Floor Bracket
	1TM62DX9AA	1	J, T		74			*DL	[X9], Left
1TM621L1AA	1	J, T		74			*DL	[XL], Left	
1TM601L1AA	1	J, T		74			*DL	[XL], Right	
1TM60DX9AA	1	J, T		74			*DL	[X9], Right	
23								ARMREST, Second Row	
1TN321L1AA	1	J, T		74			*DL	[XL]	
1TN321X9AA	1	J, T		74			*DL	[X9]	
24								BUSHING, Pivot	
68086230AA	1	J, T		74			*DL	Right	
68086231AA	1	J, T		74			*DL	Left	
25								BEZEL, Seat Belt, Routing	
1TM83DX9AA	1	J, T		74			*DL	[X9]	
		1	J, T		74		*DL	[XL]	
26								BEZEL, Seat Belt, Exit	
1TM731L1AA	1	J, T		74			*DL	[XL]	

GRAND CHEROKEE (WK)

SERIES LINE
 H = HIGHLINE T = JEEP - 2WD
 P = PREMIUM J = JEEP - 4WD
 S = SPORT U = JEEP - 4WD (RHD)

BODY
 74 = SPORT UTILITY 4-DR
 TYPE #4

ENGINE
 ERB = 3.0L Mid V6 Engine
 EZH = 5.7L V8 HEMI MDS
 VVT Engine
 EXF = 3.0L V6 Turbo Diesel
 Engine

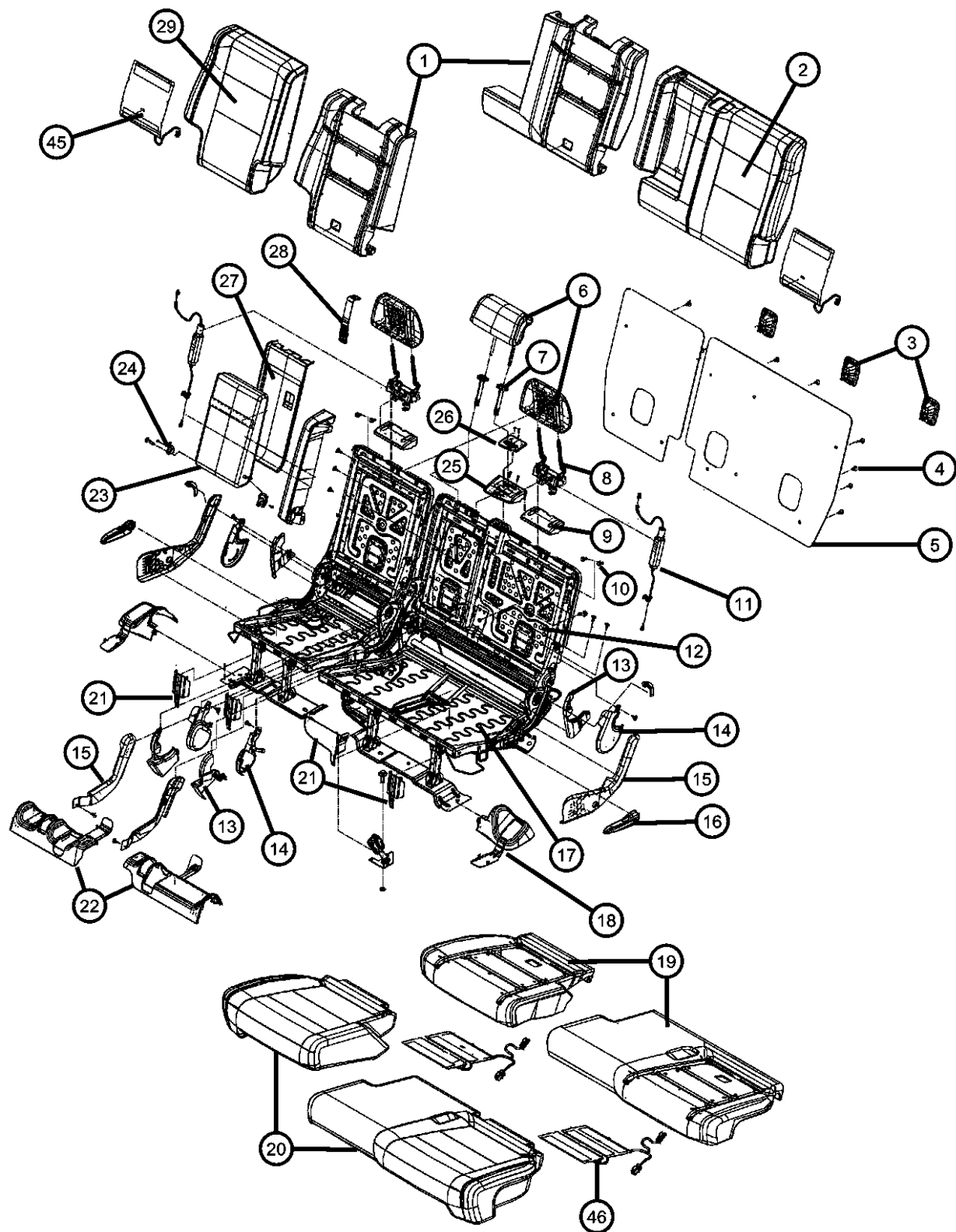
TRANSMISSION
 DGQ = 5-Spd Automatic 545RFE
 Transmission
 DGJ = 5-Speed Auto W5A580
 Transmission

AR = use ase required - = Non illustrated part

2011 WK

Rear Seat - 60/40 Seat -Trim Code [DL]

Figure 50-605



ITEM	PART NUMBER	QTY	LINE	SERIES	BODY	ENGINE	TRANS	TRIM	DESCRIPTION
27	1TM73DX9AA	1	J, T		74			*DL [X9]	PANEL, Seat Base, Armrest
	1TM761L1AA	1	J, T		74			*DL [XL]	
	1TM76DX9AA	1	J, T		74			*DL [X9]	
28									STRAP
	1TM741X9AA	1	J, T		74			*DL [X9]	
	1TM741L1AA	1	J, T		74			*DL [XL]	
29									COVER, Rear Seat Back, 40%
	1TN261L1AA	1	J, T		74			*DL [XL], Right	
	1TN26DX9AA	1	J, T		74			*DL [X9], Right	
-30		1							SCREW, Mounts Pivot Bushing To Armrest, (NOT SERVICED),
-31	68086234AA	2	J, T		74			*DL	SCREW, Seat, Mounts Seat Belt Exit Bezel
-32	68086233AA	1	J, T		74			*DL	BOLT, M12x1.74x43
-33	68085365AA	8	J, T, U		74				BOLT, M10x1.5x25
-34	68085366AA	9	J, T, U		74				BOLT, M8x1.25x50
-35	68085367AA	4	J, T, U		74				BOLT, Mounts O/B Headrest Pivot Mechanism To Seat Back Frame
-36									LINKAGE, Seat, Front
	68085351AA	1	J, T, U		74				Right
	68085352AA	1	J, T, U		74				Left
-37	68085353AA	18	J, T, U		74				BUSHING, Pivot Leg
-38	68085354AA	2	J, T, U		74				LINKAGE, Seat, Motion
-39	68085355AA	1	J, T, U		74				LINKAGE, Seat, Flag
-40	68085357AA	2	J, T, U		74				SPRING, Pivot Leg Lift
-41									RECLINER, Seat Back
	68085360AA	1	J, T, U		74				Right
	68085361AA	1	J, T, U		74				Left
-42									LINKAGE, Seat, Stanchion
	68085362AA	1	J, T, U		74				Left
	68085363AA	1	J, T, U		74				Right
-43									TORSION BAR
	68085358AA	1	J, T, U		74				Left
	68085359AA	1	J, T, U		74				Right
-44	68085364AA	1	J, T, U		74				CLIP, Cable

GRAND CHEROKEE (WK)

SERIES LINE
 H = HIGHLINE T = JEEP - 2WD
 P = PREMIUM J = JEEP - 4WD
 S = SPORT U = JEEP - 4WD (RHD)

BODY
 74 = SPORT UTILITY 4-DR
 TYPE #4

ENGINE
 ERB = 3.0L Mid V6 Engine
 EZH = 5.7L V8 HEMI MDS
 VVT Engine
 EXF = 3.0L V6 Turbo Diesel
 Engine

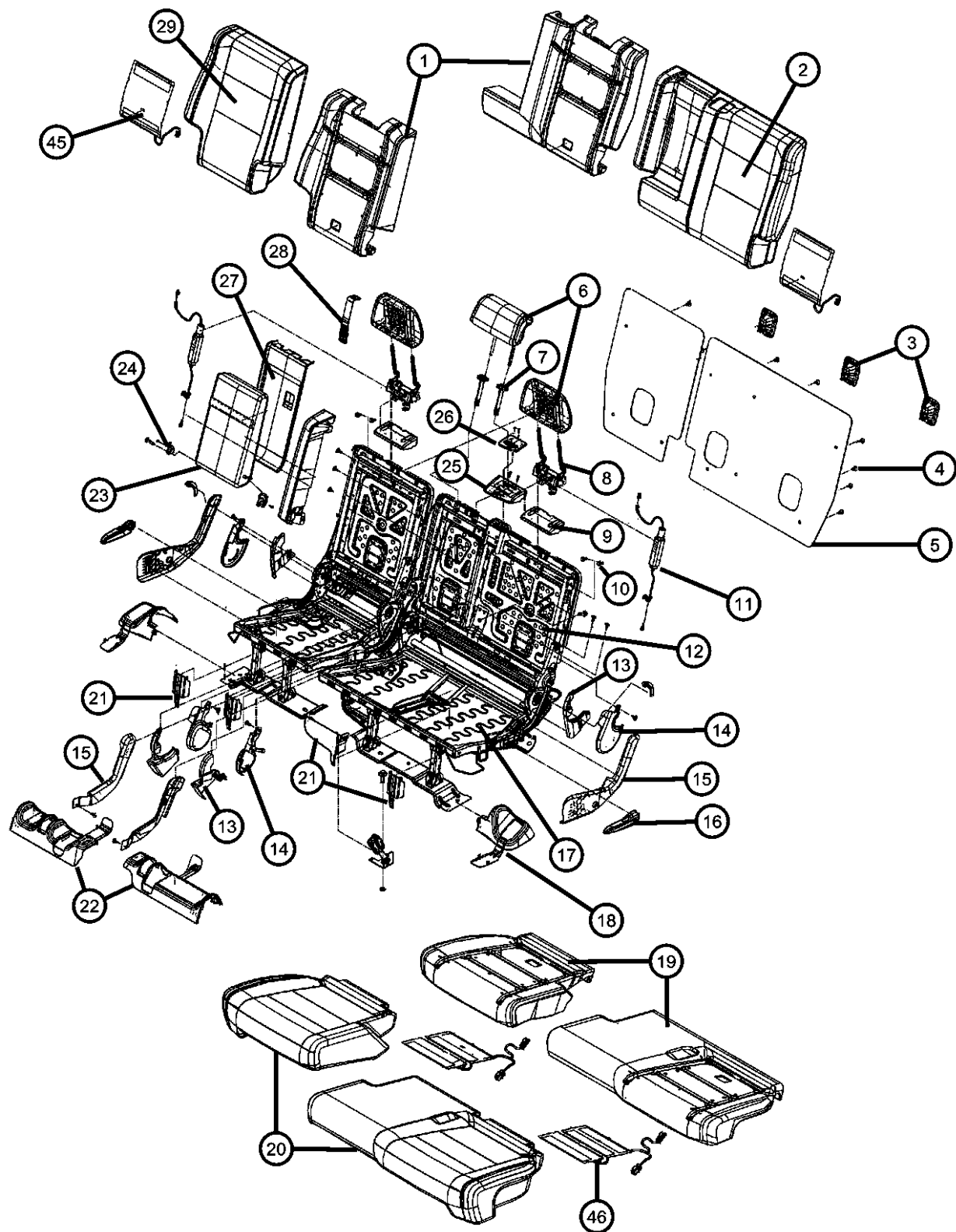
TRANSMISSION
 DGQ = 5-Spd Automatic 545RFE
 Transmission
 DGJ = 5-Speed Auto W5A580
 Transmission

AR = use ase required - = Non illustrated part

2011 WK

Rear Seat - 60/40 Seat -Trim Code [DL]

Figure 50-605



ITEM	PART NUMBER	QTY	LINE	SERIES	BODY	ENGINE	TRANS	TRIM	DESCRIPTION
------	-------------	-----	------	--------	------	--------	-------	------	-------------

45	04610226AC	2	J, T		74			*DL	HEATED PAD, Seat Back
46	04610228AC	2	J, T		74			*DL	HEATED PAD, Seat Cushion

GRAND CHEROKEE (WK)

SERIES	LINE
H = HIGHLINE	T = JEEP - 2WD
P = PREMIUM	J = JEEP - 4WD
S = SPORT	U = JEEP - 4WD (RHD)

BODY
74 = SPORT UTILITY 4-DR TYPE #4

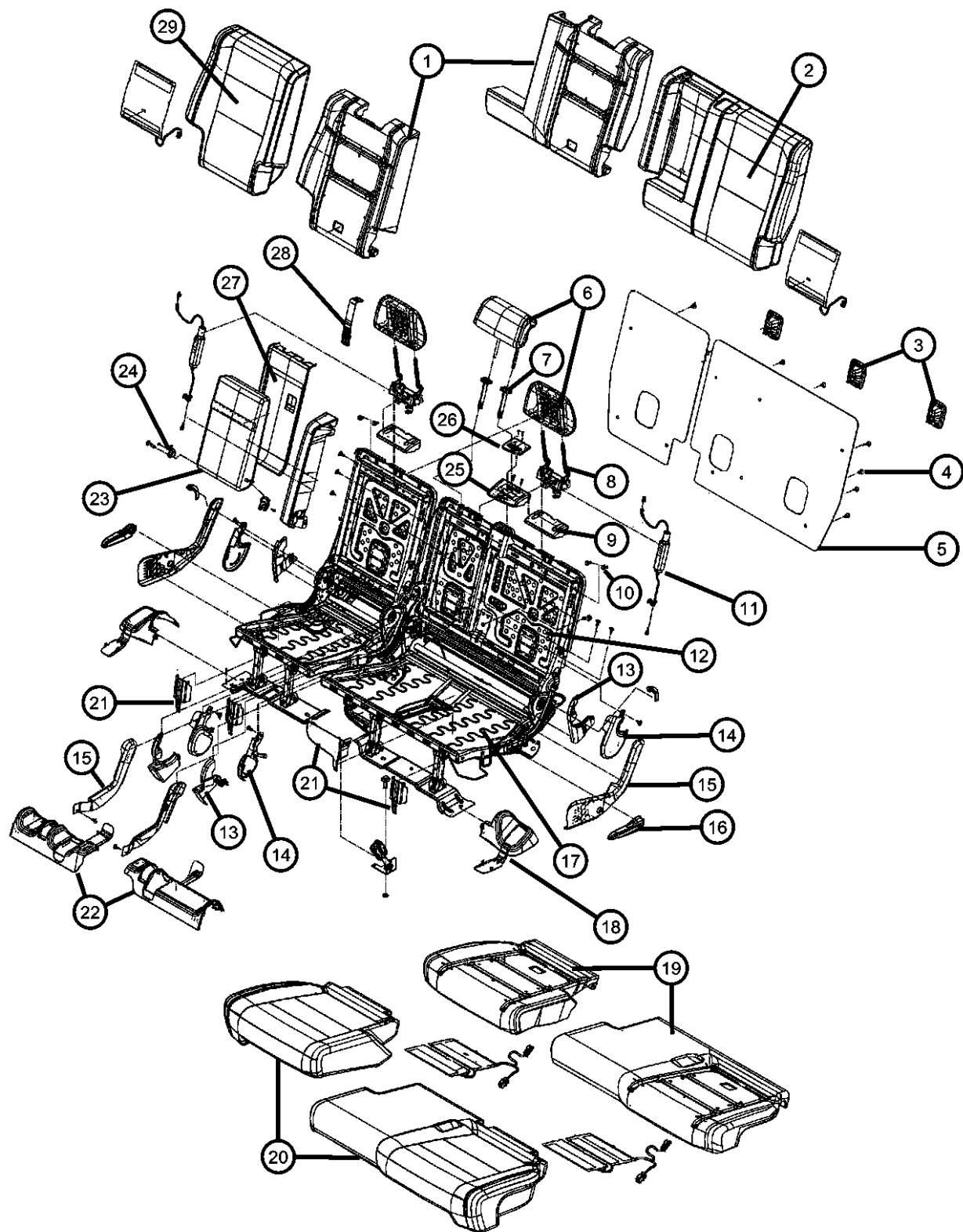
ENGINE
ERB = 3.0L Mid V6 Engine
EZH = 5.7L V8 HEMI MDS VVT Engine
EXF = 3.0L V6 Turbo Diesel Engine

TRANSMISSION
DGQ = 5-Spd Automatic 545RFE Transmission
DGJ = 5-Speed Auto W5A580 Transmission

AR = use ase required - = Non illustrated part

2011 WK

Rear Seat - 60/40 Seat - Trim Code [F7]
Figure 50-607



ITEM	PART NUMBER	QTY	LINE	SERIES	BODY	ENGINE	TRANS	TRIM	DESCRIPTION		
1	68086218AA	1	J, T		74			*F7	FOAM, Seat Back [JPR], Right		
		1	J, T		74			*F7	[JPR], [JKV], Right		
		1	U		74			*F7	[JTE], Right		
		1	J		74			*F7	[JT4], Right		
		1	U		74			*F7	[JTE], [JPM], Right		
		1	J		74			*F7	[JT4], [JPM], Right		
		68086221AA	1	J, T		74			*F7	[JPR], Left	
			1	J, T		74			*F7	[JPR], [JKV], Left	
			1	U		74			*F7	[JTE], Left	
			1	J		74			*F7	[JT4], Left	
			1	U		74			*F7	[JTE], [JPM], Left	
			1	J		74			*F7	[JT4], [JPM], Left	
			2	1TM25BD3AA	1	J, T		74			*F7
		1			J, T		74			*F7	[D3], [JPR], [JKV]
1	J, T				74			*F7	[X9], [JPR]		
1	J, T				74			*F7	[X9], [JPR], [JKV]		
1	U				74			*F7	[X9], [JTE]		
1	J				74			*F7	[X9], [JT4]		
1	U				74			*F7	[X9], [JTE], [JPM]		
1	J				74			*F7	[X9], [JT4], [JPM]		
3	1TM75BD3AA	3	J, T		74			*F7	BEZEL, TETHER [D3], [JPR]		
		3	J, T		74			*F7	[D3], [JPR], [JKV]		
		3	J, T		74			*F7	[X9], [JPR]		
		3	J, T		74			*F7	[X9], [JPR], [JKV]		
		3	U		74			*F7	[X9], [JTE]		
		3	J		74			*F7	[X9], [JT4]		
		3	U		74			*F7	[X9], [JTE], [JPM]		
		3	J		74			*F7	[X9], [JT4], [JPM]		
4	68086235AA	23	J, T		74			*F7	RETAINER [JPR]		
		23	J, T		74			*F7	[JPR], [JKV]		
		23	U		74			*F7	[JTE]		

GRAND CHEROKEE (WK)

SERIES LINE
H = HIGHLINE T = JEEP - 2WD
P = PREMIUM J = JEEP - 4WD
S = SPORT U = JEEP - 4WD (RHD)

BODY
74 = SPORT UTILITY 4-DR
TYPE #4

ENGINE
ERB = 3.0L Mid V6 Engine
EZH = 5.7L V8 HEMI MDS
VVT Engine
EXF = 3.0L V6 Turbo Diesel
Engine

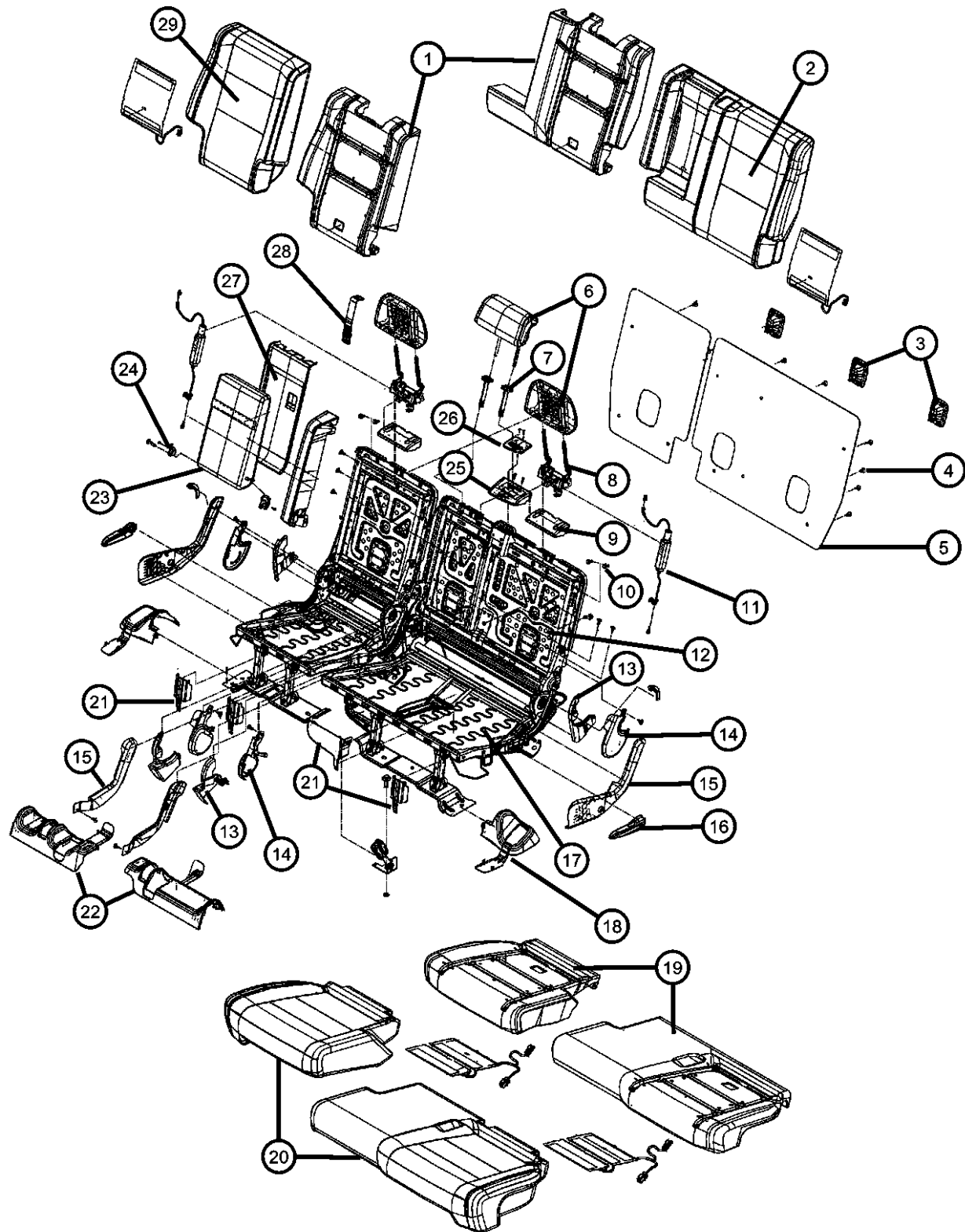
TRANSMISSION
DGQ = 5-Speed Automatic 545RFE
Transmission
DGJ = 5-Speed Auto W5A580
Transmission

AR = use ase required - = Non illustrated part

2011 WK

Rear Seat - 60/40 Seat - Trim Code [F7]
Figure 50-607

ITEM	PART NUMBER	QTY	LINE	SERIES	BODY	ENGINE	TRANS	TRIM	DESCRIPTION	
5		23	J		74			*F7	[JT4]	
		23	U		74			*F7	[JTE], [JPM]	
		23	J		74			*F7	[JT4], [JPM]	
									PANEL, Seat Back	
		68086216AA	1	J, T		74			*F7	[JPR], Right
			1	J, T		74			*F7	[JPR], [JKV], Right
		68086217AA	1	J, T		74			*F7	[JPR], Left
			1	J, T		74			*F7	[JPR], [JKV], Left
		68086399AA	1	U		74			*F7	[JTE], Left
			1	J		74			*F7	[JT4], Left
			1	U		74			*F7	[JTE], [JPM], Left
		68086400AA	1	J		74			*F7	[JT4], [JPM], Left
	6		1	U		74			*F7	[JTE], Right
		1	J		74			*F7	[JT4], Right	
		1	U		74			*F7	[JTE], [JPM], Right	
		1	J		74			*F7	[JT4], [JPM], Right	
									HEADREST, Second Row	
		1TM22BD3AA	1	J, T		74			*F7	[D3], [JPR], Center
			1	J, T		74			*F7	[D3], [JPR], [JKV], Center
		1TM22DX9AA	1	J, T		74			*F7	[X9], [JPR], Center
			1	J, T		74			*F7	[X9], [JPR], [JKV], Center
			1	U		74			*F7	[X9], [JTE], Center
			1	J		74			*F7	[X9], [JT4], Center
			1	U		74			*F7	[X9], [JTE], [JPM], Center
		1TM23BD3AA	2	J, T		74			*F7	[D3], [JPR], Right & Left
7		2	J, T		74			*F7	[D3], [JPR], [JKV], Right & Left	
		1TM23DX9AA	2	J, T		74		*F7	[X9], [JPR], Right & Left	
			2	J, T		74		*F7	[X9], [JPR], [JKV], Right & Left	
			2	U		74		*F7	[X9], [JTE], Right & Left	
			2	J		74		*F7	[X9], [JT4], Right & Left	
			2	U		74		*F7	[X9], [JTE], [JPM], Right & Left	
			2	J		74		*F7	[X9], [JT4], [JPM], Right & Left	
									SLEEVE, Headrest	



GRAND CHEROKEE (WK)

SERIES LINE
H = HIGHLINE T = JEEP - 2WD
P = PREMIUM J = JEEP - 4WD
S = SPORT U = JEEP - 4WD (RHD)

BODY
74 = SPORT UTILITY 4-DR
TYPE #4

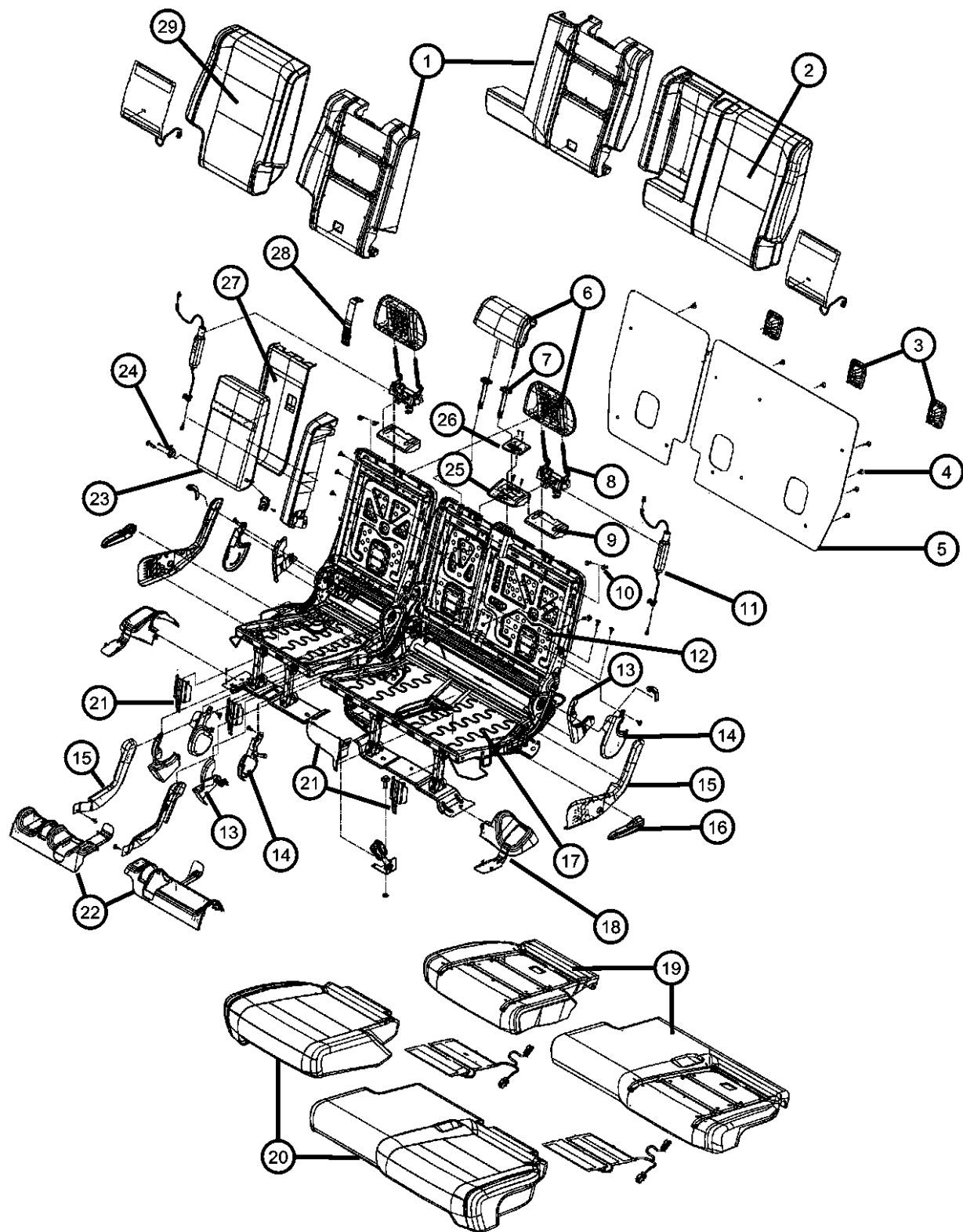
ENGINE
ERB = 3.0L Mid V6 Engine
EZH = 5.7L V8 HEMI MDS
VVT Engine
EXF = 3.0L V6 Turbo Diesel
Engine

TRANSMISSION
DGQ = 5-Spd Automatic 545RFE
Transmission
DGJ = 5-Speed Auto W5A580
Transmission

AR = use ase required - = Non illustrated part

2011 WK

Rear Seat - 60/40 Seat - Trim Code [F7]
Figure 50-607



ITEM	PART NUMBER	QTY	LINE	SERIES	BODY	ENGINE	TRANS	TRIM	DESCRIPTION
	1TM711X9AA	3	J, T		74			*F7	[X9], [JPR], Locking
		1	J, T		74			*F7	[X9], [JPR], [JKV], Locking
		1	U		74			*F7	[X9], [JTE], Locking
		1	J		74			*F7	[X9], [JT4], Locking
		1	U		74			*F7	[X9], [JTE], [JPM], Locking
		1	J		74			*F7	[X9], [JT4], [JPM], Locking
	1TM71BD3AA	3	J, T		74			*F7	[D3], [JPR], Locking
		1	J, T		74			*F7	[D3], [JPR], [JKV], Locking
	1TM72BD3AA	3	J, T		74			*F7	[D3], [JPR], Non-Locking
		1	J, T		74			*F7	[D3], [JPR], [JKV], Non-Locking
	1TM72DX9AA	3	J, T		74			*F7	[X9], [JPR], Non-Locking
		1	J, T		74			*F7	[X9], [JPR], [JKV], Non-Locking
		1	U		74			*F7	[X9], [JTE], Non-Locking
		1	J		74			*F7	[X9], [JT4], Non-Locking
		1	U		74			*F7	[X9], [JTE], [JPM], Non-Locking
		1	J		74			*F7	[X9], [JT4], [JPM], Non-Locking
8									BRACKET, Pivot
	68086211AA	2	J, T		74			*F7	[JPR]
		2	J, T		74			*F7	[JPR], [JKV]
		2	U		74			*F7	[JTE]
		2	J		74			*F7	[JT4]
		2	U		74			*F7	[JTE], [JPM]
		2	J		74			*F7	[JT4], [JPM]
9									SHIELD, Recliner, Headrest Mechanism
	1TM80DX9AA	2	J, T		74			*F7	[D3], [JPR]
		2	J, T		74			*F7	[X9], [JPR]
		2	J, T		74			*F7	[D3], [JPR], [JKV]
		2	J, T		74			*F7	[X9], [JPR], [JKV]
		1	U		74			*F7	[X9], [JTE]
		2	J		74			*F7	[X9], [JT4]
		2	U		74			*F7	[X9], [JTE], [JPM]
		2	J		74			*F7	[X9], [JT4], [JPM]
10									BOLT

GRAND CHEROKEE (WK)

SERIES LINE
H = HIGHLINE T = JEEP - 2WD
P = PREMIUM J = JEEP - 4WD
S = SPORT U = JEEP - 4WD (RHD)

BODY
74 = SPORT UTILITY 4-DR
TYPE #4

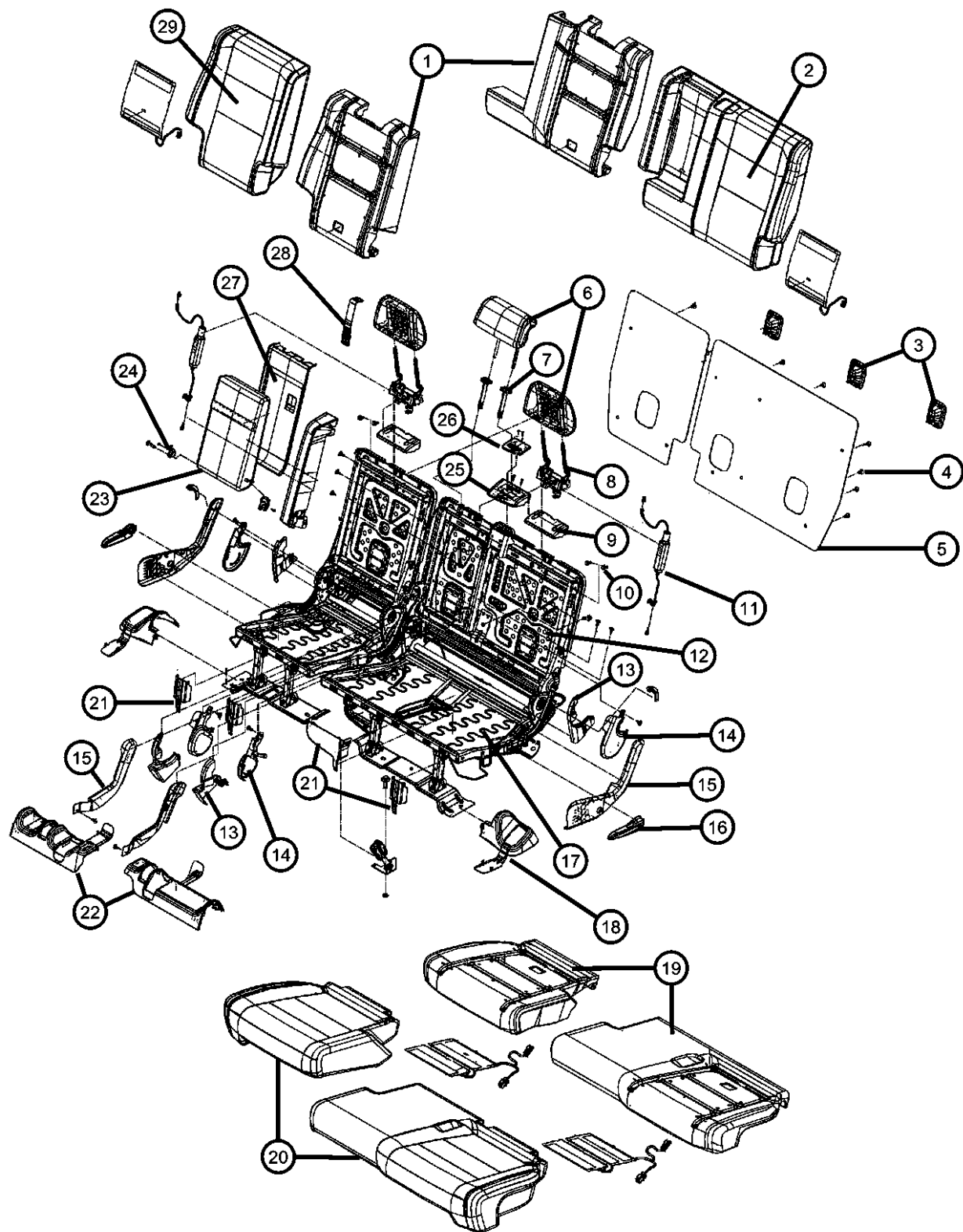
ENGINE
ERB = 3.0L Mid V6 Engine
EZH = 5.7L V8 HEMI MDS
VVT Engine
EXF = 3.0L V6 Turbo Diesel
Engine

TRANSMISSION
DGQ = 5-Spd Automatic 545RFE
Transmission
DGJ = 5-Speed Auto W5A580
Transmission

AR = use ase required - = Non illustrated part

2011 WK

Rear Seat - 60/40 Seat - Trim Code [F7]
Figure 50-607



ITEM	PART NUMBER	QTY	LINE	SERIES	BODY	ENGINE	TRANS	TRIM	DESCRIPTION
	68030757AA	4	J, T		74			*F7	[JPR]
	68030757AB	4	J, T		74			*F7	[JPR], [JKV]
		4	U		74			*F7	[JTE]
		4	J		74			*F7	[JT4]
		4	U		74			*F7	[JTE], [JPM]
		4	J		74			*F7	[JT4], [JPM]
11									CABLE
	68086212AA	2	J, T		74			*F7	[JPR]
		2	J, T		74			*F7	[JPR], [JKV]
		2	U		74			*F7	[JTE]
		2	J		74			*F7	[JT4]
		2	U		74			*F7	[JTE], [JPM]
		2	J		74			*F7	[JT4], [JPM]
12									FRAME, Rear Seat Back
	68085347AA	1	J, T, U		74				Right
	68085348AA	1	J, T, U		74				Left
13									COVER, Rear Seat Pivot, Lower Bracket
	1TM53BD3AA	1	J, T		74			*F7	[D3], [JPR], Right, Outboard
		1	J, T		74			*F7	[D3], [JPR], [JKV], Right, Outboard
	1TM53DX9AA	1	J, T		74			*F7	[X9], [JPR], Right, Outboard
		1	J, T		74			*F7	[X9], [JPR], [JKV], Right, Outboard
		2	U		74			*F7	[X9], [JTE], Right, Outboard
		1	J		74			*F7	[X9], [JT4], Right, Outboard
		1	U		74			*F7	[X9], [JTE], [JPM], Right, Outboard
		1	J		74			*F7	[X9], [JT4], [JPM], Right, Outboard
	1TM54BD3AA	1	J, T		74			*F7	[D3], [JPR], Right, Inboard
		1	J, T		74			*F7	[D3], [JPR], [JKV], Right, Inboard
	1TM54DX9AA	1	J, T		74			*F7	[X9], [JPR], Right, Inboard
		1	J, T		74			*F7	[X9], [JPR], [JKV], Right, Inboard
		1	U		74			*F7	[X9], [JTE], Right, Inboard
		1	J		74			*F7	[X9], [JT4], Right, Inboard
		1	U		74			*F7	[X9], [JTE], [JPM], Right, Inboard

GRAND CHEROKEE (WK)

SERIES LINE
H = HIGHLINE T = JEEP - 2WD
P = PREMIUM J = JEEP - 4WD
S = SPORT U = JEEP - 4WD (RHD)

BODY
74 = SPORT UTILITY 4-DR
TYPE #4

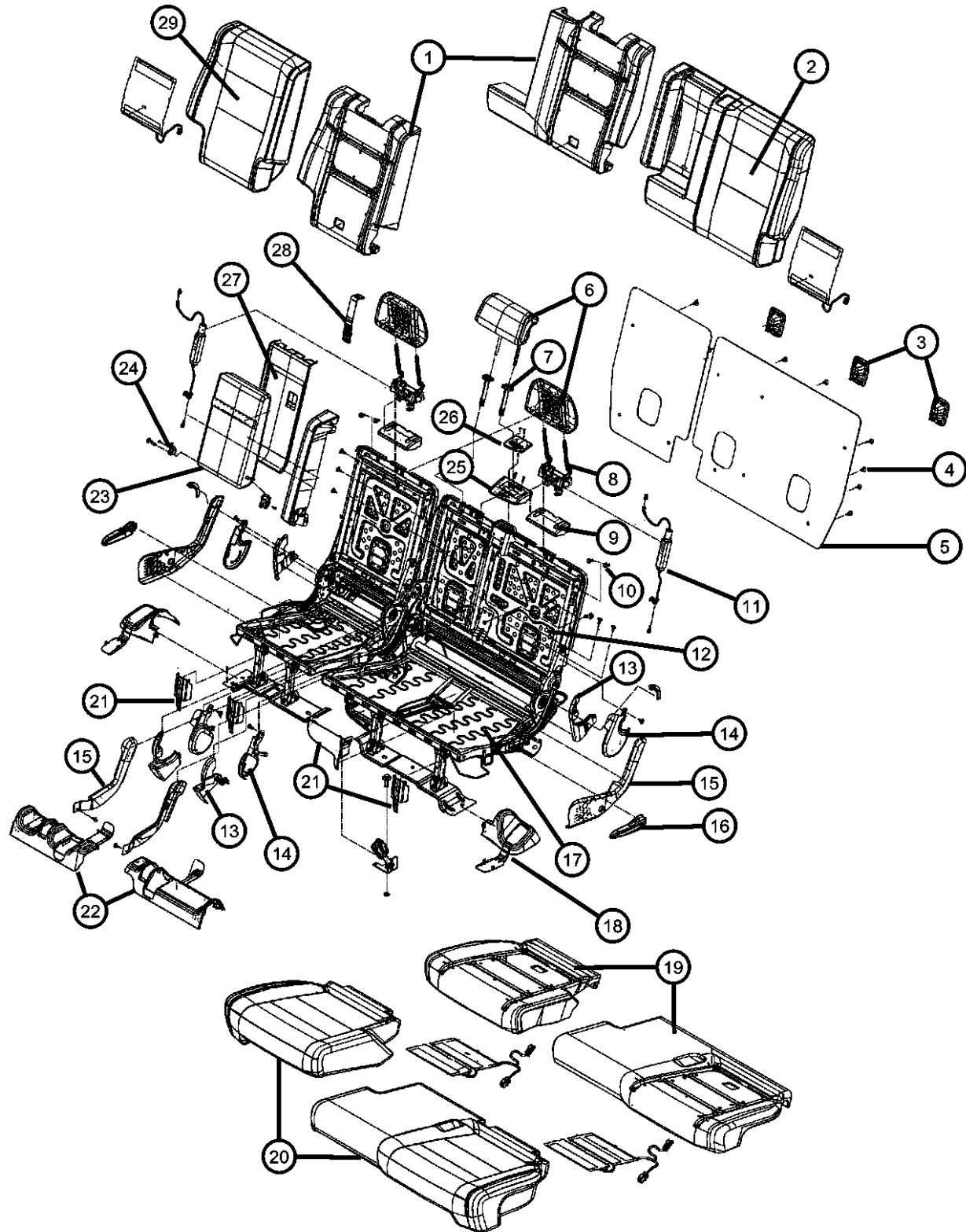
ENGINE
ERB = 3.XL Mid V6 Engine
EZH = 5.7L V8 HEMI MDS
VVT Engine
EXF = 3.0L V6 Turbo Diesel
Engine

TRANSMISSION
DGQ = 5-Spd Automatic 545RFE
Transmission
DGJ = 5-Speed Auto W5A580
Transmission

AR = use ase required - = Non illustrated part

2011 WK

Rear Seat - 60/40 Seat - Trim Code [F7]
Figure 50-607



ITEM	PART NUMBER	QTY	LINE	SERIES	BODY	ENGINE	TRANS	TRIM	DESCRIPTION
		1	J		74			*F7	[X9], [JT4], [JPM], Right, Inboard
	1TM55BD3AA	1	J, T		74			*F7	[D3], [JPR], Left, Outboard
		1	J, T		74			*F7	[D3], [JPR], [JKV], Left, Outboard
	1TM55DX9AA	1	J, T		74			*F7	[X9], [JPR], Left, Outboard
		1	J, T		74			*F7	[X9], [JPR], [JKV], Left, Outboard
		1	U		74			*F7	[X9], [JTE], Left, Outboard
		1	J		74			*F7	[X9], [JT4], Left, Outboard
		1	U		74			*F7	[X9], [JTE], [JPM], Left, Outboard
	1TM56BD3AA	1	J		74			*F7	[X9], [JT4], [JPM], Left, Outboard
		1	J, T		74			*F7	[D3], [JPR], Left, Inboard
		1	J, T		74			*F7	[D3], [JPR], [JKV], Left, Inboard
	1TM56DX9AA	1	J, T		74			*F7	[X9], [JPR], Left, Inboard
		1	J, T		74			*F7	[X9], [JPR], [JKV], Left, Inboard
		1	U		74			*F7	[X9], [JTE], Left, Inboard
		1	J		74			*F7	[X9], [JT4], Left, Inboard
		1	U		74			*F7	[X9], [JTE], [JPM], Left, Inboard
		1	J		74			*F7	[X9], [JT4], [JPM], Left, Inboard
14									SHIELD, Recliner, Upper Pivot
	1TM67BD3AA	1	J, T		74			*F7	[D3], [JPR], Right, Outboard
		1	J, T		74			*F7	[D3], [JPR], [JKV], Right, Outboard
	1TM67DX9AA	1	J, T		74			*F7	[X9], [JPR], Right, Outboard
		1	J, T		74			*F7	[X9], [JPR], [JKV], Right, Outboard
		1	U		74			*F7	[X9], [JTE], Right, Outboard
		1	J		74			*F7	[X9], [JT4], Right, Outboard
		1	U		74			*F7	[X9], [JTE], [JPM], Right, Outboard
		1	J		74			*F7	[X9], [JT4], [JPM], Right, Outboard
	1TM68BD3AA	1	J, T		74			*F7	[D3], [JPR], Right, Inboard
		1	J, T		74			*F7	[D3], [JPR], [JKV], Right, Inboard
	1TM68DX9AA	1	J, T		74			*F7	[X9], [JPR], Right, Inboard
		1	J, T		74			*F7	[X9], [JPR], [JKV], Right, Inboard
		1	U		74			*F7	[X9], [JTE], Right, Inboard
		1	J		74			*F7	[X9], [JT4], Right, Inboard

GRAND CHEROKEE (WK)

SERIES LINE
H = HIGHLINE T = JEEP - 2WD
P = PREMIUM J = JEEP - 4WD
S = SPORT U = JEEP - 4WD (RHD)

BODY
74 = SPORT UTILITY 4-DR
TYPE #4

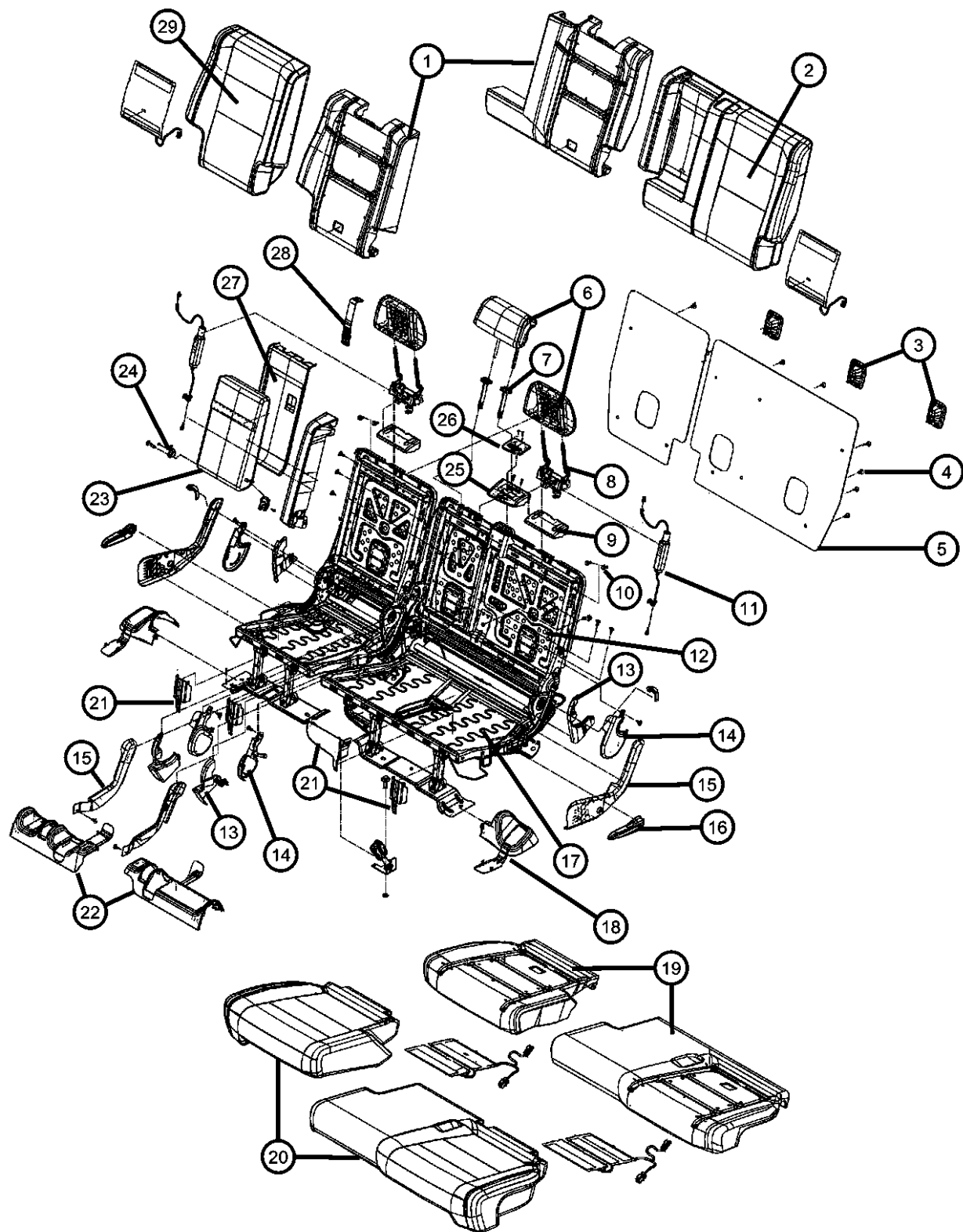
ENGINE
ERB = 3.XL Mid V6 Engine
EZH = 5.7L V8 HEMI MDS
VVT Engine
EXF = 3.0L V6 Turbo Diesel
Engine

TRANSMISSION
DGQ = 5-Speed Automatic 545RFE
Transmission
DGJ = 5-Speed Auto W5A580
Transmission

AR = use ase required - = Non illustrated part

2011 WK

Rear Seat - 60/40 Seat - Trim Code [F7]
Figure 50-607



ITEM	PART NUMBER	QTY	LINE	SERIES	BODY	ENGINE	TRANS	TRIM	DESCRIPTION
		1	U		74			*F7	[X9], [JTE], [JPM], Right, Inboard
		1	J		74			*F7	[X9], [JT4], [JPM], Right, Inboard
	1TM69BD3AA	1	J, T		74			*F7	[D3], [JPR], Left, Outboard
		1	J, T		74			*F7	[D3], [JPR], [JKV], Left, Outboard
	1TM69DX9AA	1	J, T		74			*F7	[X9], [JPR], Left, Outboard
		1	J, T		74			*F7	[X9], [JPR], [JKV], Left, Outboard
		1	U		74			*F7	[X9], [JTE], Left, Outboard
		1	J		74			*F7	[X9], [JT4], Left, Outboard
		1	U		74			*F7	[X9], [JTE], [JPM], Left, Outboard
		1	J		74			*F7	[X9], [JT4], [JPM], Left, Outboard
	1TM70BD3AA	1	J, T		74			*F7	[D3], [JPR], Left, Inboard
		1	J, T		74			*F7	[D3], [JPR], [JKV], Left, Inboard
	1TM70DX9AA	1	J, T		74			*F7	[X9], [JPR], Left, Inboard
		1	J, T		74			*F7	[X9], [JPR], [JKV], Left, Inboard
		1	U		74			*F7	[X9], [JTE], Left, Inboard
		1	J		74			*F7	[X9], [JT4], Left, Inboard
		1	U		74			*F7	[X9], [JTE], [JPM], Left, Inboard
		1	J		74			*F7	[X9], [JT4], [JPM], Left, Inboard
15									SHIELD, Recliner, Drivelink
	1TM63BD3AA	1	J, T		74			*F7	[D3], [JPR], Right, Outboard
		1	J, T		74			*F7	[D3], [JPR], [JKV], Right, Outboard
	1TM63DX9AA	1	J, T		74			*F7	[X9], [JPR], Right, Outboard
		1	J, T		74			*F7	[X9], [JPR], [JKV], Right, Outboard
		1	U		74			*F7	[X9], [JTE], Right, Outboard
		1	J		74			*F7	[X9], [JT4], Right, Outboard
		1	U		74			*F7	[X9], [JTE], [JPM], Right, Outboard
		1	J		74			*F7	[X9], [JT4], [JPM], Right, Outboard
	1TM64BD3AA	1	J, T		74			*F7	[D3], [JPR], Right, Inboard
		1	J, T		74			*F7	[D3], [JPR], [JKV], Right, Inboard
	1TM64DX9AA	1	J, T		74			*F7	[X9], [JPR], Right, Inboard
		1	J, T		74			*F7	[X9], [JPR], [JKV], Right, Inboard
		1	U		74			*F7	[X9], [JTE], Right, Inboard

GRAND CHEROKEE (WK)

SERIES LINE
H = HIGHLINE T = JEEP - 2WD
P = PREMIUM J = JEEP - 4WD
S = SPORT U = JEEP - 4WD (RHD)

BODY
74 = SPORT UTILITY 4-DR
TYPE #4

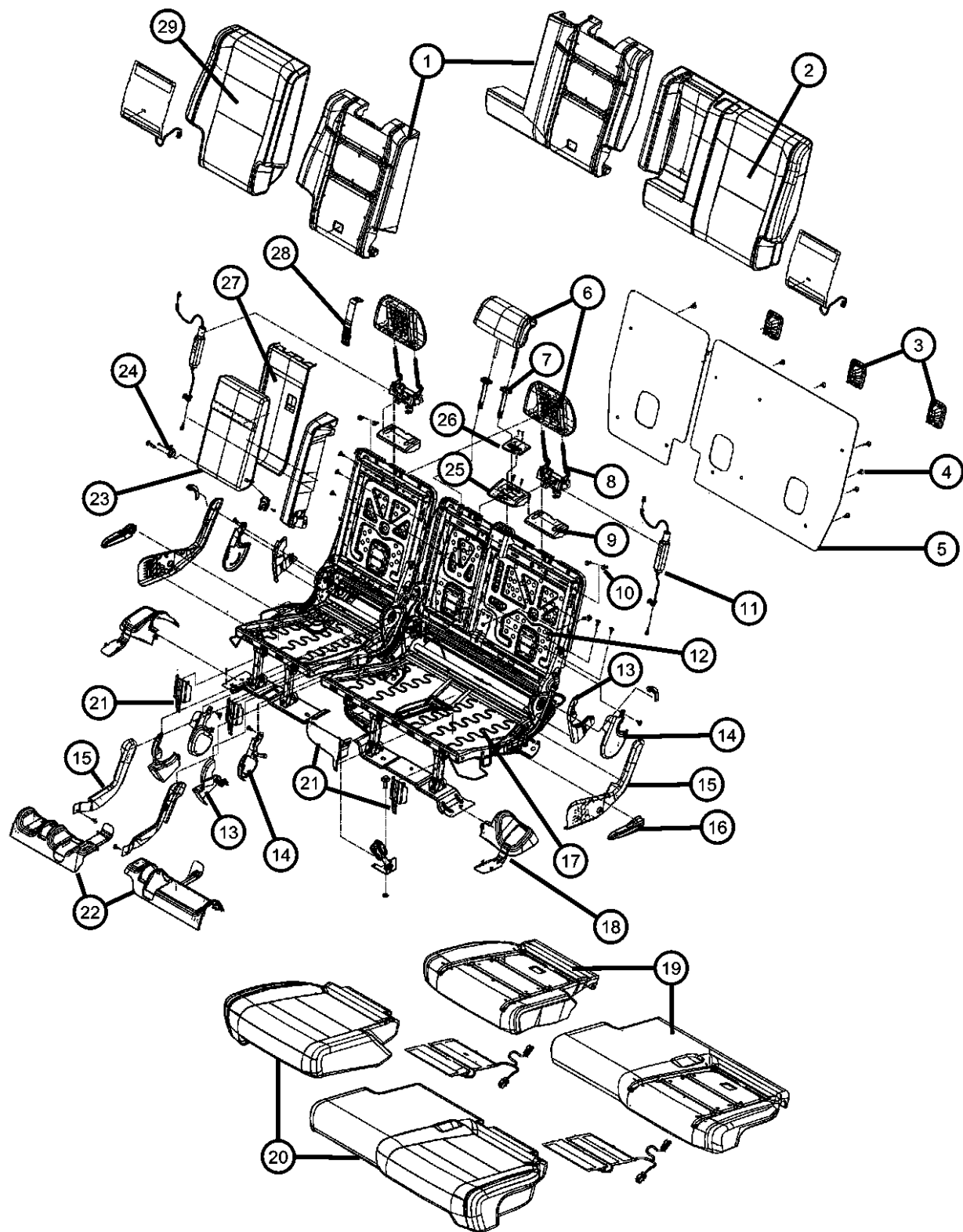
ENGINE
ERB = 3.0L Mid V6 Engine
EZH = 5.7L V8 HEMI MDS
VVT Engine
EXF = 3.0L V6 Turbo Diesel
Engine

TRANSMISSION
DGQ = 5-Spd Automatic 545RFE
Transmission
DGJ = 5-Speed Auto W5A580
Transmission

AR = use ase required - = Non illustrated part

2011 WK

Rear Seat - 60/40 Seat - Trim Code [F7]
Figure 50-607



ITEM	PART NUMBER	QTY	LINE	SERIES	BODY	ENGINE	TRANS	TRIM	DESCRIPTION
		1	J		74			*F7	[X9], [JT4], Right, Inboard
		1	U		74			*F7	[X9], [JTE], [JPM], Right, Inboard
		1	J		74			*F7	[X9], [JTE], [JPM], Right, Inboard
	1TM65BD3AA	1	J, T		74			*F7	[D3], [JPR], Left, Outboard
		1	J, T		74			*F7	[D3], [JPR], [JKV], Left, Outboard
	1TM65DX9AA	1	J, T		74			*F7	[X9], [JPR], Left, Outboard
		1	J, T		74			*F7	[X9], [JPR], [JKV], Left, Outboard
		1	U		74			*F7	[X9], [JTE], Left, Outboard
		1	J		74			*F7	[X9], [JT4], Left, Outboard
		1	U		74			*F7	[X9], [JTE], [JPM], Left, Outboard
		1	J		74			*F7	[X9], [JTE], [JPM], Left, Outboard
	1TM66BD3AA	1	J, T		74			*F7	[D3], [JPR], Left, Inboard
		1	J, T		74			*F7	[D3], [JPR], [JKV], Left, Inboard
	1TM66DX9AA	1	J, T		74			*F7	[X9], [JPR], Left, Inboard
		1	J, T		74			*F7	[X9], [JPR], [JKV], Left, Inboard
		1	U		74			*F7	[X9], [JTE], Left, Inboard
		1	J		74			*F7	[X9], [JT4], Left, Inboard
		1	U		74			*F7	[X9], [JTE], [JPM], Left, Inboard
		1	J		74			*F7	[X9], [JTE], [JPM], Left, Inboard
16									HANDLE, Recliner
	1TM57BD3AA	1	J, T		74			*F7	[D3], [JPR], Left
		1	J, T		74			*F7	[D3], [JPR], [JKV], Left
	1TM57DX9AA	1	J, T		74			*F7	[X9], [JPR], Left
		1	J, T		74			*F7	[X9], [JPR], [JKV], Left
		1	U		74			*F7	[X9], [JTE], Left
		1	J		74			*F7	[X9], [JT4], Left
		1	U		74			*F7	[X9], [JTE], [JPM], Left
		1	J		74			*F7	[X9], [JT4], [JPM], Left
	1TM58BD3AA	1	J, T		74			*F7	[D3], [JPR], Right
		1	J, T		74			*F7	[D3], [JPR], [JKV], Right
	1TM58DX9AA	1	J, T		74			*F7	[X9], [JPR], Right
		1	J, T		74			*F7	[X9], [JPR], [JKV], Right
		1	U		74			*F7	[X9], [JTE], Right
		1	J		74			*F7	[X9], [JT4], Right

GRAND CHEROKEE (WK)

SERIES LINE
H = HIGHLINE T = JEEP - 2WD
P = PREMIUM J = JEEP - 4WD
S = SPORT U = JEEP - 4WD (RHD)

BODY
74 = SPORT UTILITY 4-DR
TYPE #4

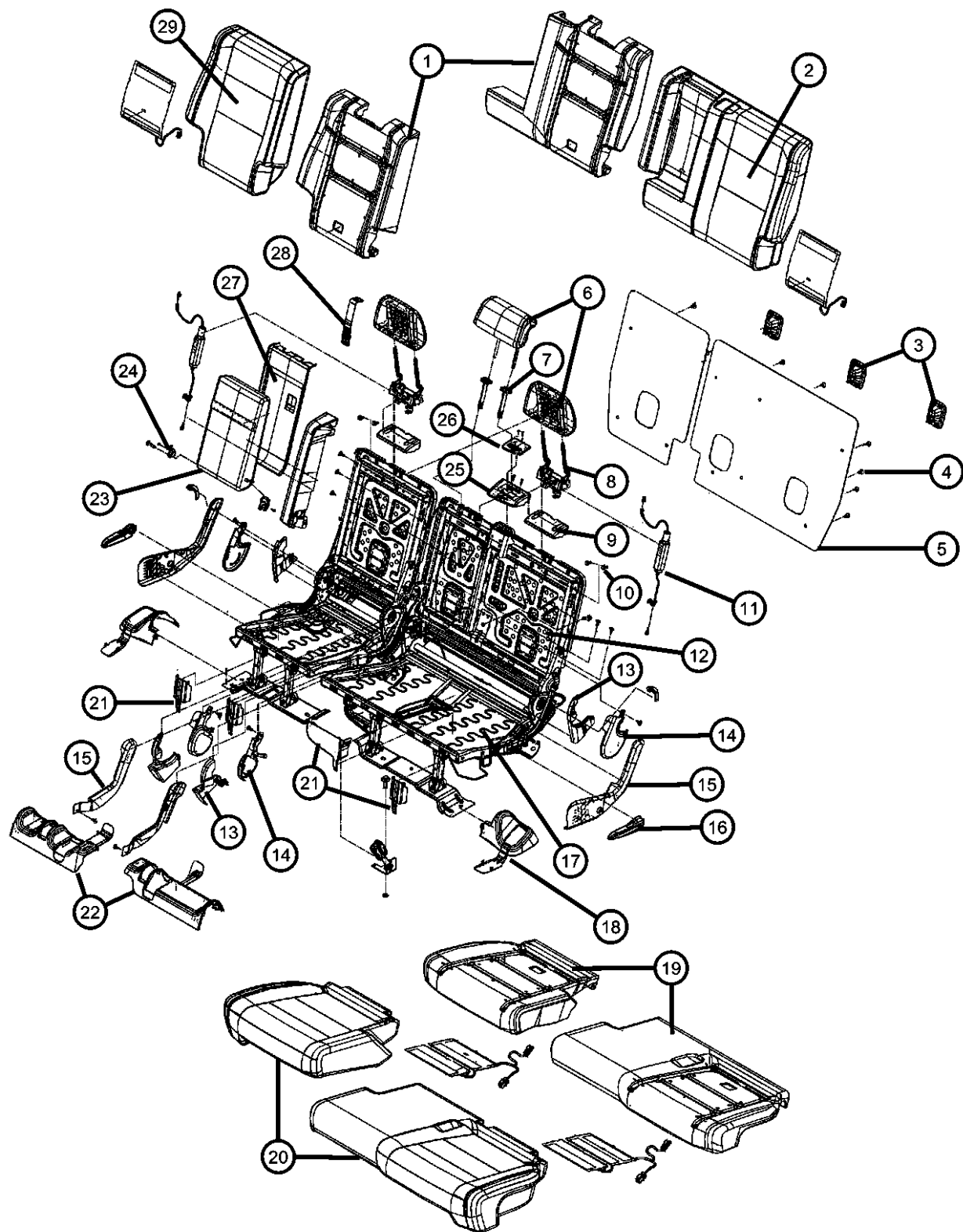
ENGINE
ERB = 3.0L Mid V6 Engine
EZH = 5.7L V8 HEMI MDS
VVT Engine
EXF = 3.0L V6 Turbo Diesel
Engine

TRANSMISSION
DGQ = 5-Spd Automatic 545RFE
Transmission
DGJ = 5-Speed Auto W5A580
Transmission

AR = use ase required - = Non illustrated part

2011 WK

Rear Seat - 60/40 Seat - Trim Code [F7]
Figure 50-607



ITEM	PART NUMBER	QTY	LINE	SERIES	BODY	ENGINE	TRANS	TRIM	DESCRIPTION
17		1	U		74			*F7	[X9], [JTE], [JPM], Right
		1	J		74			*F7	[X9], [JT4], [JPM], Right
	68085349AA	1	J, T, U		74				FRAME, Seat cushion Right
	68085350AA	1	J, T, U		74				Left
18									COVER, Seat Base, End Cap
	1TM86BD3AA	1	J, T		74			*F7	[D3], [JPR], Right
		1	J, T		74			*F7	[D3], [JPR], [JKV], Right
	1TM86DX9AA	1	J, T		74			*F7	[X9], [JPR], Right
		1	J, T		74			*F7	[X9], [JPR], [JKV], Right
		1	U		74			*F7	[X9], [JTE], Right
		1	J		74			*F7	[X9], [JT4], Right
		1	U		74			*F7	[X9], [JTE], [JPM], Right
		1	J		74			*F7	[X9], [JT4], [JPM], Right
	1TM88BD3AA	1	J, T		74			*F7	[D3], [JPR], Left
		1	J, T		74			*F7	[D3], [JPR], [JKV], Left
	1TM88DX9AA	1	J, T		74			*F7	[X9], [JPR], Left
		1	J, T		74			*F7	[X9], [JPR], [JKV], Left
		1	U		74			*F7	[X9], [JTE], Left
		1	J		74			*F7	[X9], [JT4], Left
		1	U		74			*F7	[X9], [JTE], [JPM], Left
		1	J		74			*F7	[X9], [JT4], [JPM], Left
19									FOAM, Seat Cushion
	68086223AA	1	J, T		74			*F7	[JPR], Left
		1	U		74			*F7	[JTE], Left
	68086225AA	1	J, T		74			*F7	[JPR], Right
		1	J, T		74			*F7	[JPR], [JKV], Right
		1	U		74			*F7	[JTE], Right
		1	J		74			*F7	[JT4], Right
		1	U		74			*F7	[JTE], [JPM], Right
		1	J		74			*F7	[JT4], [JPM], Right
	68086323AA	1	J, T		74			*F7	[JPR], [JKV], Left
		1	J		74			*F7	[JT4], Left
		1	U		74			*F7	[JTE], [JPM], Left

GRAND CHEROKEE (WK)

SERIES LINE
H = HIGHLINE T = JEEP - 2WD
P = PREMIUM J = JEEP - 4WD
S = SPORT U = JEEP - 4WD (RHD)

BODY
74 = SPORT UTILITY 4-DR
TYPE #4

ENGINE
ERB = 3.0L Mid V6 Engine
EZH = 5.7L V8 HEMI MDS
VVT Engine
EXF = 3.0L V6 Turbo Diesel
Engine

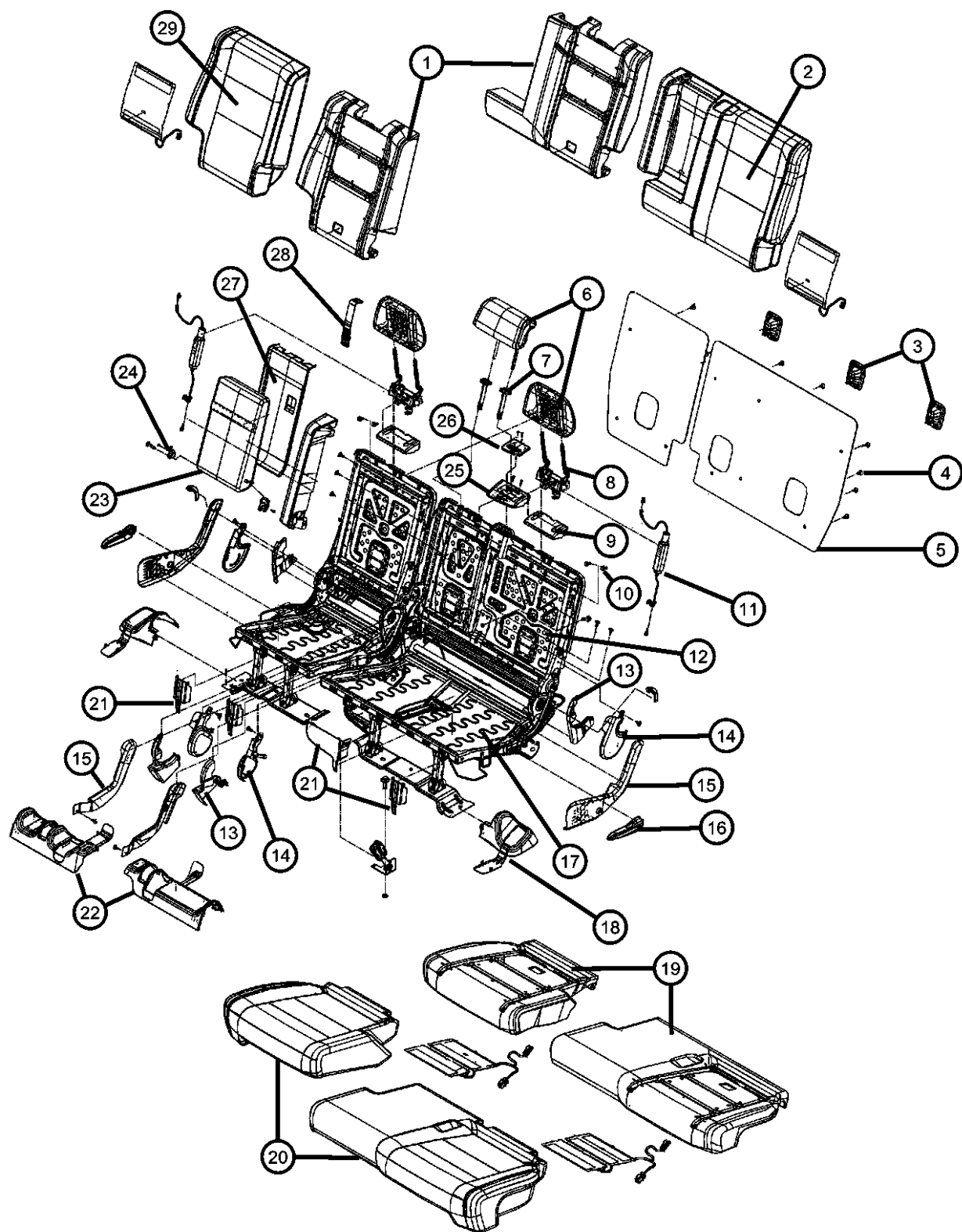
TRANSMISSION
DGQ = 5-Speed Automatic 545RFE
Transmission
DGJ = 5-Speed Auto W5A580
Transmission

AR = use ase required - = Non illustrated part

2011 WK

Rear Seat - 60/40 Seat - Trim Code [F7]

Figure 50-607



ITEM	PART NUMBER	QTY	LINE	SERIES	BODY	ENGINE	TRANS	TRIM	DESCRIPTION
20		1	J		74			*F7	[JT4], [JPM], Left COVER, Rear Seat Cushion
	1TM27BD3AA	1	J, T		74			*F7	[D3], [JPR], Left
		1	J, T		74			*F7	[D3], [JPR], [JKV], Left
	1TM27DX9AA	1	J, T		74			*F7	[X9], [JPR], Left
		1	J, T		74			*F7	[X9], [JPR], [JKV], Left
		1	U		74			*F7	[X9], [JTE], Left
		1	J		74			*F7	[X9], [JT4], Left
		1	U		74			*F7	[X9], [JTE], [JPM], Left
		1	J		74			*F7	[X9], [JT4], [JPM], Left
	1TM28BD3AA	1	J, T		74			*F7	[D3], [JPR], Right
		1	J, T		74			*F7	[D3], [JPR], [JKV], Right
	1TM28DX9AA	1	J, T		74			*F7	[X9], [JPR], Right
		1	J, T		74			*F7	[X9], [JPR], [JKV], Right
		1	U		74			*F7	[X9], [JTE], Right
		1	J		74			*F7	[X9], [JT4], Right
	1	U		74			*F7	[X9], [JTE], [JPM], Right	
	1	J		74			*F7	[X9], [JT4], [JPM], Right	
21									SHIELD, RISER, Pivot Leg
	1TM59BD3AA	1	J, T		74			*F7	[D3], [JPR]
		3	J, T		74			*F7	[D3], [JPR], [JKV]
	1TM59DX9AA	1	J, T		74			*F7	[X9], [JPR]
		3	J, T		74			*F7	[X9], [JPR], [JKV]
		3	U		74			*F7	[X9], [JTE]
		3	J		74			*F7	[X9], [JT4]
		3	U		74			*F7	[X9], [JTE], [JPM]
		3	J		74			*F7	[X9], [JT4], [JPM]
	1TM61BD3AA	1	J, T		74			*F7	[D3], [JPR], Left, Inboard
		1	J, T		74			*F7	[D3], [JPR], [JKV], Left, Inboard
	1TM61DX9AA	1	J, T		74			*F7	[X9], [JPR], Left, Inboard
	1	J, T		74			*F7	[X9], [JPR], [JKV], Left, Inboard	
	1	U		74			*F7	[X9], [JTE], Left, Inboard	
	1	J		74			*F7	[X9], [JT4], Left, Inboard	
	1	U		74			*F7	[X9], [JTE], [JPM], Left, Inboard	

GRAND CHEROKEE (WK)

SERIES LINE
 H = HIGHLINE T = JEEP - 2WD
 P = PREMIUM J = JEEP - 4WD
 S = SPORT U = JEEP - 4WD (RHD)

BODY
 74 = SPORT UTILITY 4-DR
 TYPE #4

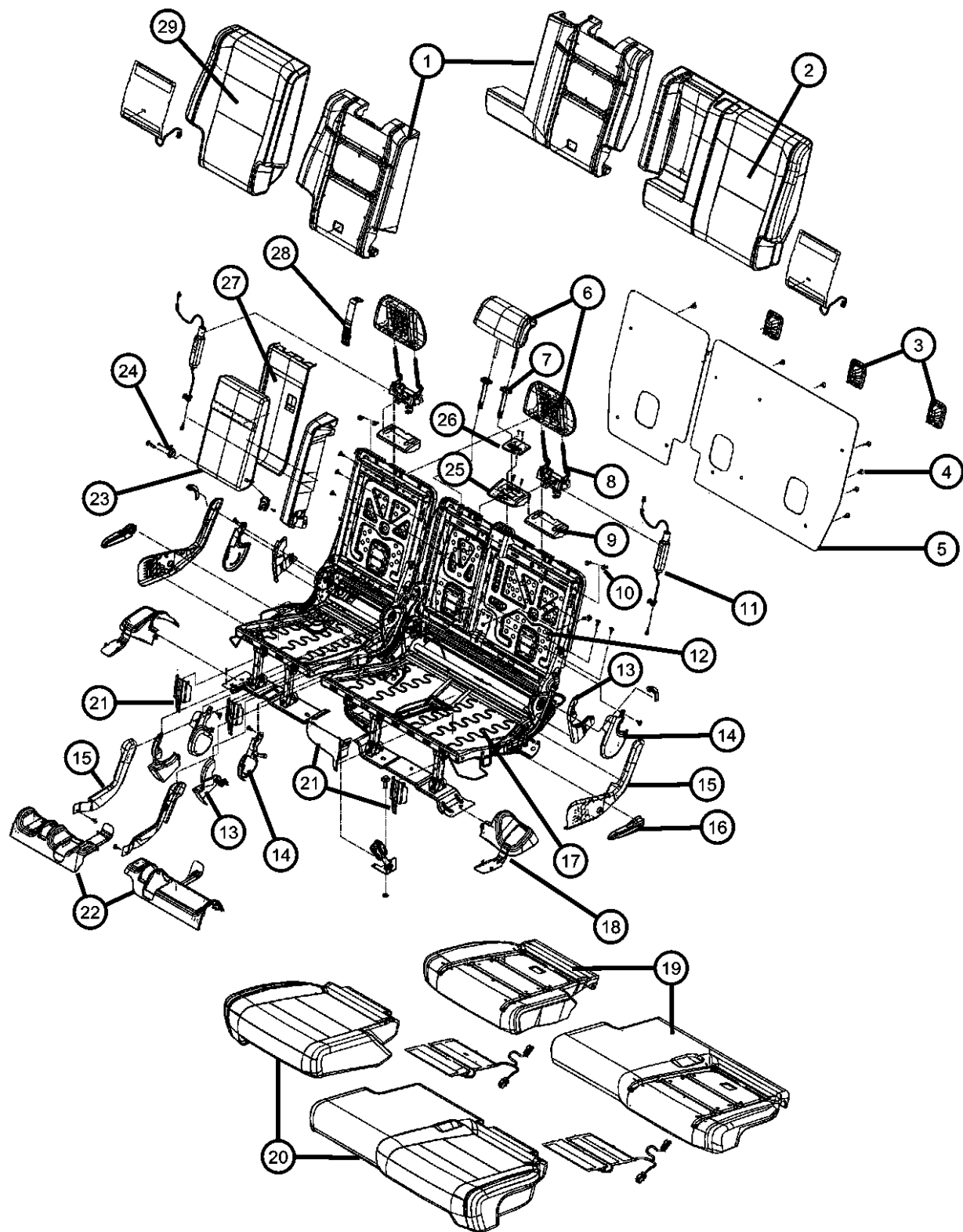
ENGINE
 ERB = 3.0L Mid V6 Engine
 EZH = 5.7L V8 HEMI MDS
 VVT Engine
 EXF = 3.0L V6 Turbo Diesel
 Engine

TRANSMISSION
 DGQ = 5-Spd Automatic 545RFE
 Transmission
 DGJ = 5-Speed Auto W5A580
 Transmission

AR = use ase required - = Non illustrated part

2011 WK

Rear Seat - 60/40 Seat - Trim Code [F7]
Figure 50-607



ITEM	PART NUMBER	QTY	LINE	SERIES	BODY	ENGINE	TRANS	TRIM	DESCRIPTION
22		1	J		74			*F7	[X9], [JT4], [JPM], Left, Inboard SHIELD, RISER, Front Floor Bracket
	1TM60BD3AA	1	J, T		74			*F7	[D3], [JPR], Right
		1	J, T		74			*F7	[D3], [JPR], [JKV], Right
	1TM60DX9AA	1	J, T		74			*F7	[X9], [JPR], Right
		1	J, T		74			*F7	[X9], [JPR], [JKV], Right
		1	U		74			*F7	[X9], [JTE], Right
		1	J		74			*F7	[X9], [JT4], Right
		1	U		74			*F7	[X9], [JTE], [JPM], Right
	1TM62BD3AA	1	J, T		74			*F7	[X9], [JT4], [JPM], Right
		1	J, T		74			*F7	[D3], [JPR], Left
	1TM62DX9AA	1	J, T		74			*F7	[D3], [JPR], [JKV], Left
		1	J, T		74			*F7	[X9], [JPR], Left
		1	J, T		74			*F7	[X9], [JPR], [JKV], Left
		1	U		74			*F7	[X9], [JTE], Left
		1	J		74			*F7	[X9], [JT4], Left
		1	U		74			*F7	[X9], [JTE], [JPM], Left
		1	J		74			*F7	[X9], [JT4], [JPM], Left
23									ARMREST, Second Row
	1TM241X9AA	1	J, T		74			*F7	[X9], [JPR]
		1	J, T		74			*F7	[X9], [JPR], [JKV]
		1	U		74			*F7	[X9], [JTE]
		1	J		74			*F7	[X9], [JT4]
		1	U		74			*F7	[X9], [JTE], [JPM]
		1	J		74			*F7	[X9], [JT4], [JPM]
	1TM24BD3AA	1	J, T		74			*F7	[D3], [JPR]
		1	J, T		74			*F7	[D3], [JPR], [JKV]
24									BUSHING, Pivot
	68086230AA	1	J, T		74			*F7	[JPR], Right
		1	J, T		74			*F7	[JPR], [JKV], Right
		1	U		74			*F7	[JTE], Right
		1	J		74			*F7	[JT4], Right
		1	U		74			*F7	[JTE], [JPM], Right

GRAND CHEROKEE (WK)

SERIES LINE
H = HIGHLINE T = JEEP - 2WD
P = PREMIUM J = JEEP - 4WD
S = SPORT U = JEEP - 4WD (RHD)

BODY
74 = SPORT UTILITY 4-DR TYPE #4

ENGINE
ERB = 3.0L Mid V6 Engine
EZH = 5.7L V8 HEMI MDS VVT Engine
EXF = 3.0L V6 Turbo Diesel Engine

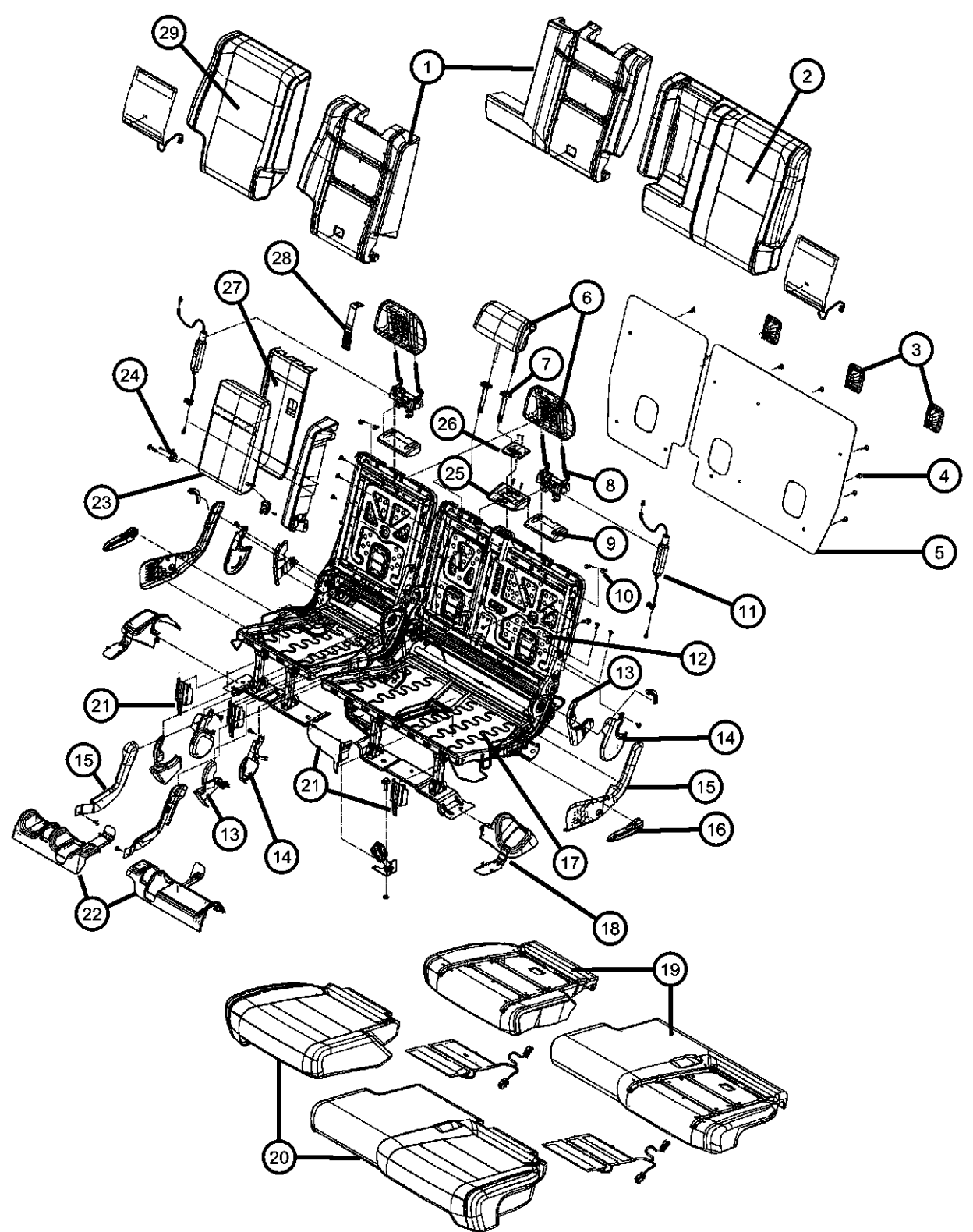
TRANSMISSION
DGQ = 5-Spd Automatic 545RFE Transmission
DGJ = 5-Speed Auto W5A580 Transmission

AR = use ase required - = Non illustrated part

2011 WK

Rear Seat - 60/40 Seat - Trim Code [F7]

Figure 50-607



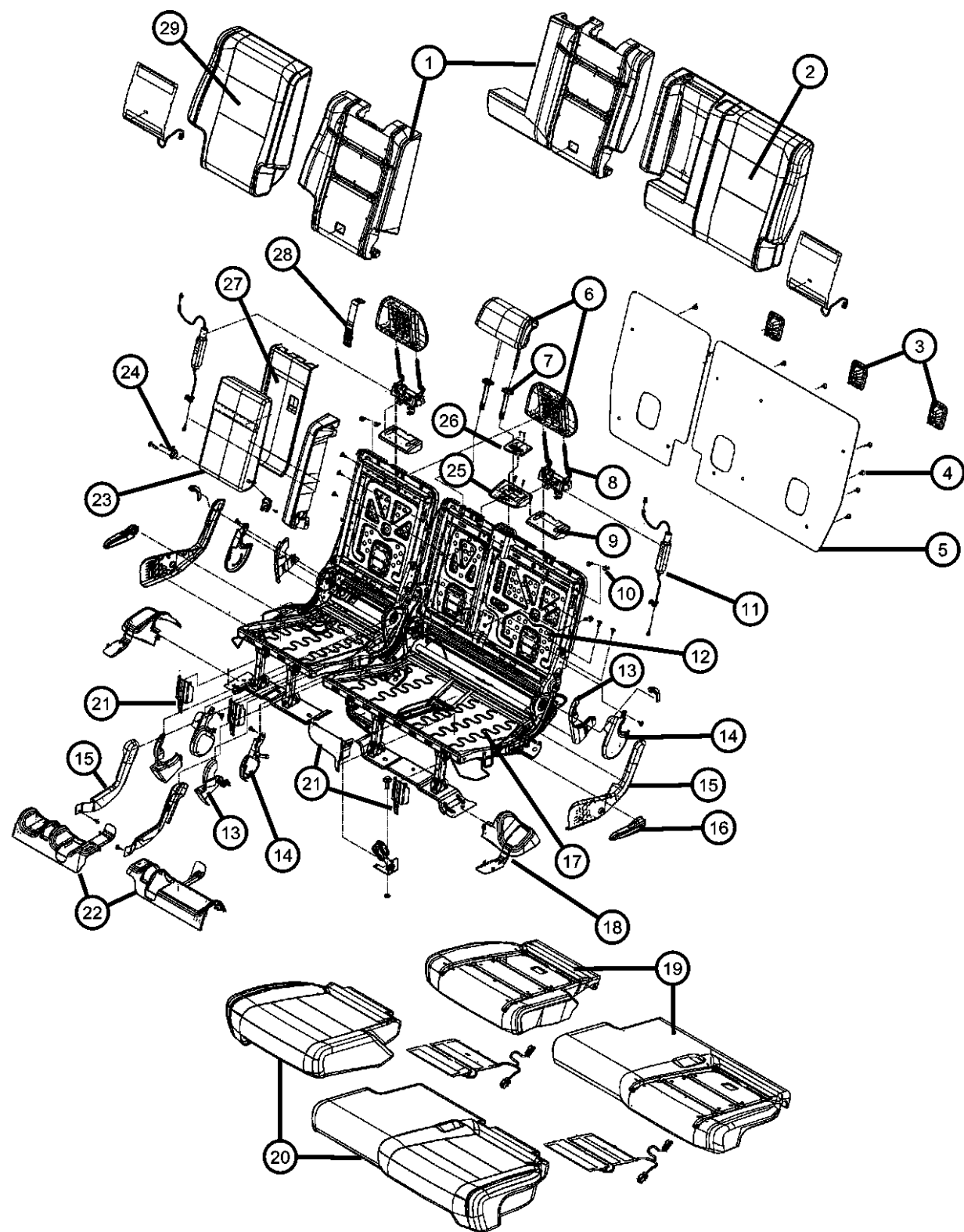
ITEM	PART NUMBER	QTY	LINE	SERIES	BODY	ENGINE	TRANS	TRIM	DESCRIPTION
	68086231AA	1	J		74			*F7	[JT4], [JPM], Right
		1	J, T		74			*F7	[JPR], Left
		1	J, T		74			*F7	[JPR], [JKV], Left
		1	U		74			*F7	[JTE], Left
		1	J		74			*F7	[JT4], Left
		1	U		74			*F7	[JTE], [JPM], Left
		1	J		74			*F7	[JT4], [JPM], Left
25									BEZEL, Seat Belt, Routing
	1TM83DX9AA	1	J, T		74			*F7	[D3], [JPR]
		1	J, T		74			*F7	[X9], [JPR]
		1	J, T		74			*F7	[D3], [JPR], [JKV]
		1	J, T		74			*F7	[X9], [JPR], [JKV]
		1	U		74			*F7	[X9], [JTE]
		1	J		74			*F7	[X9], [JT4]
		1	U		74			*F7	[X9], [JTE], [JPM]
		1	J		74			*F7	[X9], [JT4], [JPM]
26									BEZEL, Seat Belt, Exit
	1TM73BD3AA	1	J, T		74			*F7	[D3], [JPR]
		1	J, T		74			*F7	[D3], [JPR], [JKV]
	1TM73DX9AA	1	J, T		74			*F7	[X9], [JPR]
		1	J, T		74			*F7	[X9], [JPR], [JKV]
		1	U		74			*F7	[X9], [JTE]
		1	J		74			*F7	[X9], [JT4]
		1	U		74			*F7	[X9], [JTE], [JPM]
		1	J		74			*F7	[X9], [JT4], [JPM]
27									PANEL, Seat Base, Armrest
	1TM76BD3AA	1	J, T		74			*F7	[D3], [JPR]
		1	J, T		74			*F7	[D3], [JPR], [JKV]
	1TM76DX9AA	1	J, T		74			*F7	[X9], [JPR]
		1	J, T		74			*F7	[X9], [JPR], [JKV]
		1	U		74			*F7	[X9], [JTE]
		1	J		74			*F7	[X9], [JT4]
		1	U		74			*F7	[X9], [JTE], [JPM]
		1	J		74			*F7	[X9], [JT4], [JPM]

GRAND CHEROKEE (WK)
 SERIES LINE BODY ENGINE TRANSMISSION
 H = HIGHLINE T = JEEP - 2WD 74 = SPORT UTILITY 4-DR ERB = 3.XL Mid V6 Engine DGQ = 5-Spd Automatic 545RFE
 P = PREMIUM J = JEEP - 4WD TYPE #4 EZH = 5.7L V8 HEMI MDS Transmission
 S = SPORT U = JEEP - 4WD (RHD) EXF = 3.0L V6 Turbo Diesel VVT Engine DGJ = 5-Speed Auto W5A580
 Engine Transmission

AR = use ase required - = Non illustrated part

Rear Seat - 60/40 Seat - Trim Code [F7]

Figure 50-607



ITEM	PART NUMBER	QTY	LINE	SERIES	BODY	ENGINE	TRANS	TRIM	DESCRIPTION
28	1TM741X9AA	1	J, T		74			*F7	STRAP [X9], [JPR]
		1	J, T		74			*F7	[X9], [JPR], [JKV]
		1	U		74			*F7	[X9], [JTE]
		1	J		74			*F7	[X9], [JT4]
		1	U		74			*F7	[X9], [JTE], [JPM]
		1	J		74			*F7	[X9], [JT4], [JPM]
	1TM74BD3AA	1	J, T		74			*F7	[D3], [JPR]
		1	J, T		74			*F7	[D3], [JPR], [JKV]
29	1TM26BD3AA	1	J, T		74			*F7	COVER, Rear Seat Back, 40% [D3], [JPR]
		1	J, T		74			*F7	[D3], [JPR], [JKV]
	1TM26DX9AA	1	J, T		74			*F7	[X9], [JPR]
		1	J, T		74			*F7	[X9], [JPR], [JKV]
		1	U		74			*F7	[X9], [JTE]
		1	J		74			*F7	[X9], [JT4]
		1	U		74			*F7	[X9], [JTE], [JPM]
		1	J		74			*F7	[X9], [JT4], [JPM]
-30		1							SCREW, Mounts Pivot Bushing To Armrest, (NOT SERVICED),
-31									SCREW, Seat, Mounts Seat Belt Exit Bezel
	68086234AA	2	J, T		74			*F7	[JPR]
		2	J, T		74			*F7	[JPR], [JKV]
		2	U		74			*F7	[JTE]
		2	J		74			*F7	[JT4]
		2	U		74			*F7	[JTE], [JPM]
		2	J		74			*F7	[JT4], [JPM]
-32									BOLT, M12x1.74x43
	68086233AA	1	J, T		74			*F7	[JPR]
		1	J, T		74			*F7	[JPR], [JKV]
		1	U		74			*F7	[JTE]
		1	J		74			*F7	[JT4]
		1	U		74			*F7	[JTE], [JPM]
-33	68085365AA	8	J, T, U		74				BOLT, M10x1.5x43

GRAND CHEROKEE (WK)

SERIES LINE
 H = HIGHLINE T = JEEP - 2WD
 P = PREMIUM J = JEEP - 4WD
 S = SPORT U = JEEP - 4WD (RHD)

BODY
 74 = SPORT UTILITY 4-DR
 TYPE #4

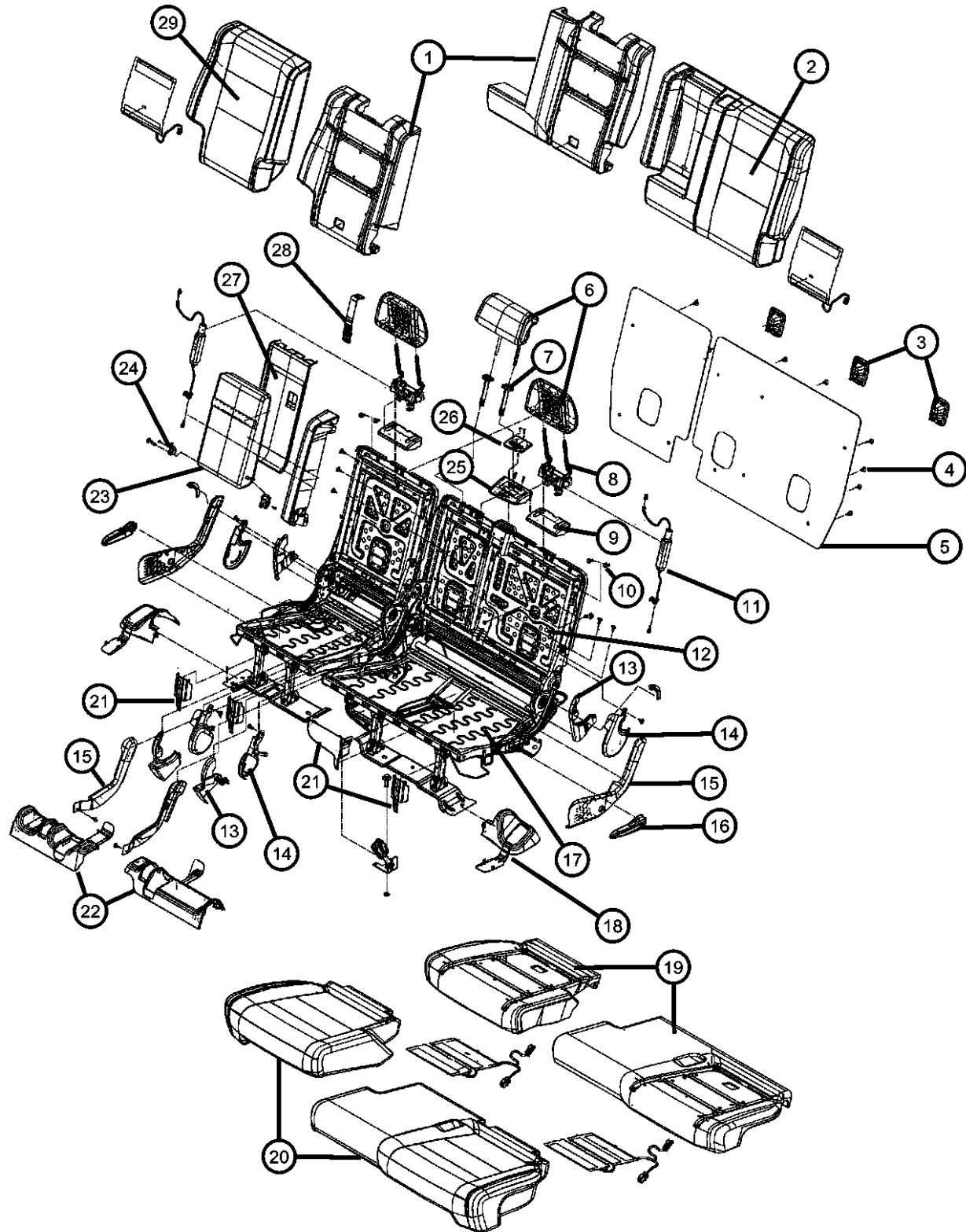
ENGINE
 ERB = 3.XL Mid V6 Engine
 EZH = 5.7L V8 HEMI MDS
 VVT Engine
 EXF = 3.0L V6 Turbo Diesel
 Engine

TRANSMISSION
 DGQ = 5-Spd Automatic 545RFE
 Transmission
 DGJ = 5-Speed Auto W5A580
 Transmission

AR = use ase required - = Non illustrated part

2011 WK

Rear Seat - 60/40 Seat - Trim Code [F7]
Figure 50-607



ITEM	PART NUMBER	QTY	LINE	SERIES	BODY	ENGINE	TRANS	TRIM	DESCRIPTION
-34	68085366AA	9	J, T, U		74				BOLT, M8x1.25x50
-35	68085367AA	4	J, T, U		74				BOLT, Mounts O/B Headrest Pivot Mechanism To Seat Back Frame LINKAGE, Seat, Front
-36	68085351AA	1	J, T, U		74				Right
	68085352AA	1	J, T, U		74				Left
-37	68085353AA	18	J, T, U		74				BUSHING, Pivot Leg
-38	68085354AA	2	J, T, U		74				LINKAGE, Seat, Motion
-39	68085355AA	1	J, T, U		74				LINKAGE, Seat, Flag
-40	68085357AA	2	J, T, U		74				SPRING, Pivot Leg Lift
-41	68085360AA	1	J, T, U		74				RECLINER, Seat Back
	68085361AA	1	J, T, U		74				Right
	68085361AA	1	J, T, U		74				Left
-42	68085362AA	1	J, T, U		74				LINKAGE, Seat, Stanchion
	68085362AA	1	J, T, U		74				Left
	68085363AA	1	J, T, U		74				Right
-43	68085358AA	1	J, T, U		74				TORSION BAR
	68085358AA	1	J, T, U		74				Left
	68085359AA	1	J, T, U		74				Right
-44	68085364AA	1	J, T, U		74				CLIP, Cable

GRAND CHEROKEE (WK)

SERIES LINE
H = HIGHLINE T = JEEP - 2WD
P = PREMIUM J = JEEP - 4WD
S = SPORT U = JEEP - 4WD (RHD)

BODY
74 = SPORT UTILITY 4-DR
TYPE #4

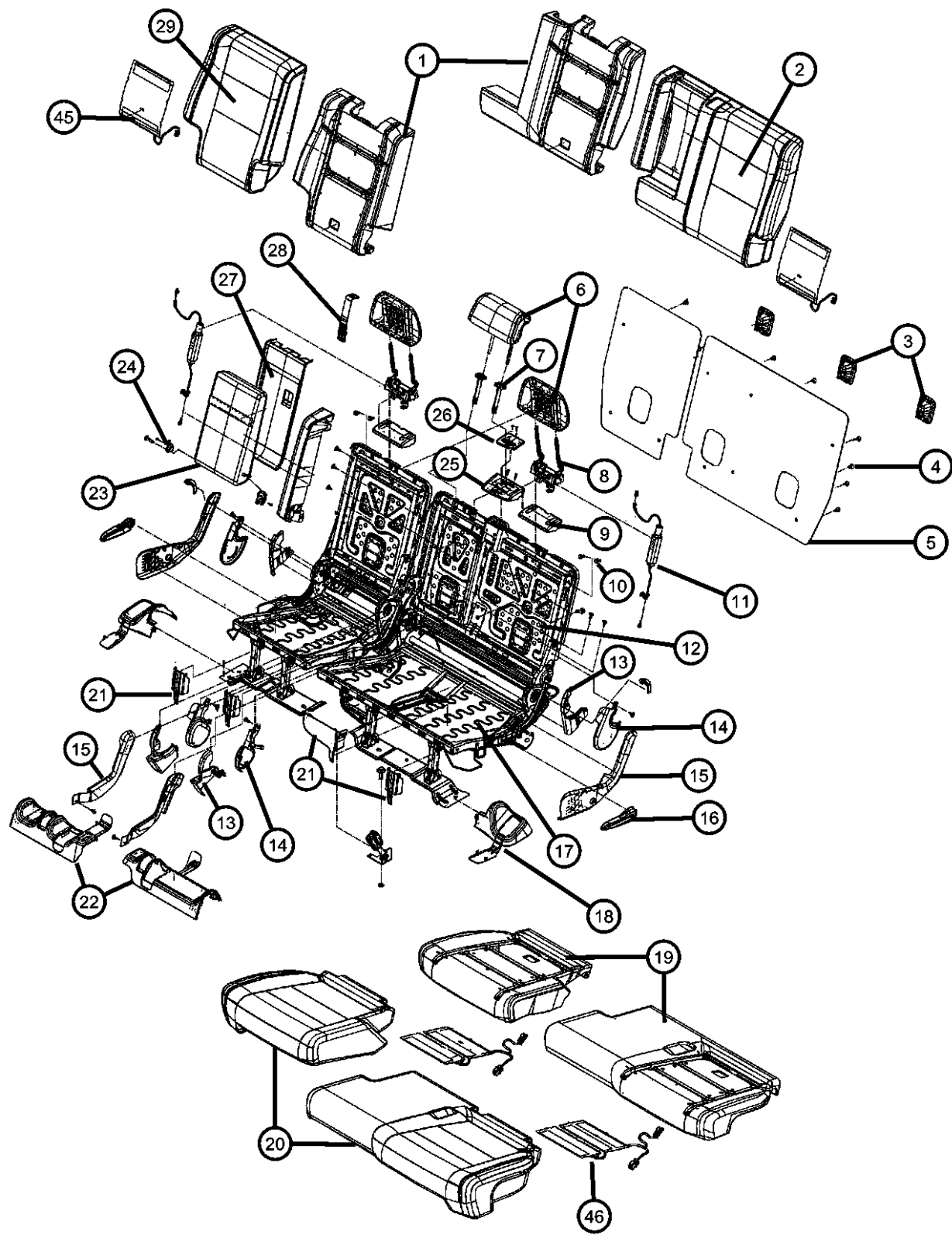
ENGINE
ERB = 3.0L Mid V6 Engine
EZH = 5.7L V8 HEMI MDS
VVT Engine
EXF = 3.0L V6 Turbo Diesel
Engine

TRANSMISSION
DGQ = 5-Spd Automatic 545RFE
Transmission
DGJ = 5-Speed Auto W5A580
Transmission

AR = use ase required - = Non illustrated part

2011 WK

Rear Seat - 60/40 Seat - Trim Code [GL]
Figure 50-608



ITEM	PART NUMBER	QTY	LINE	SERIES	BODY	ENGINE	TRANS	TRIM	DESCRIPTION
1	68086218AA	1	J, T		74			*GL	FOAM, Seat Back Right
		1	J		74			*GL	Right
		1	U		74			*GL	Right
		1	J, T		74			*GL	Left
		1	J		74			*GL	Left
		1	U		74			*GL	Left
2	1TN431L1AA	1	J, T		74			*GL	COVER, Rear Seat Back, 60% [L9]
		1	J		74			*GL	[L9]
		1	U		74			*GL	[L9]
		1	J, T		74			*GL	[X9]
		1	J		74			*GL	[X9]
		1	U		74			*GL	[X9]
3	1TM751H1AA	3	U		74			*GL	BEZEL, TETHER [L9]
		3	J, T		74			*GL	[X9]
		3	J		74			*GL	[X9]
		3	J, T		74			*GL	[L9]
		3	J		74			*GL	[L9]
		3	U		74			*GL	[X9]
4	68086235AA	23	J		74			*GL	RETAINER
		23	U		74			*GL	
		23	J, T		74			*GL	
5	68086399AA	1	J		74			*GL	PANEL, Seat Back Left
		1	U		74			*GL	Left
		1	J		74			*GL	Right
		1	U		74			*GL	Right
		1	J, T		74			*GL	Right
		1	J, T		74			*GL	Left
6	1TN33DX9AA	1	J		74			*GL	HEADREST, Second Row [X9], Center
		1	U		74			*GL	[X9], Center

GRAND CHEROKEE (WK)

SERIES LINE
H = HIGHLINE T = JEEP - 2WD
P = PREMIUM J = JEEP - 4WD
S = SPORT U = JEEP - 4WD (RHD)

BODY
74 = SPORT UTILITY 4-DR
TYPE #4

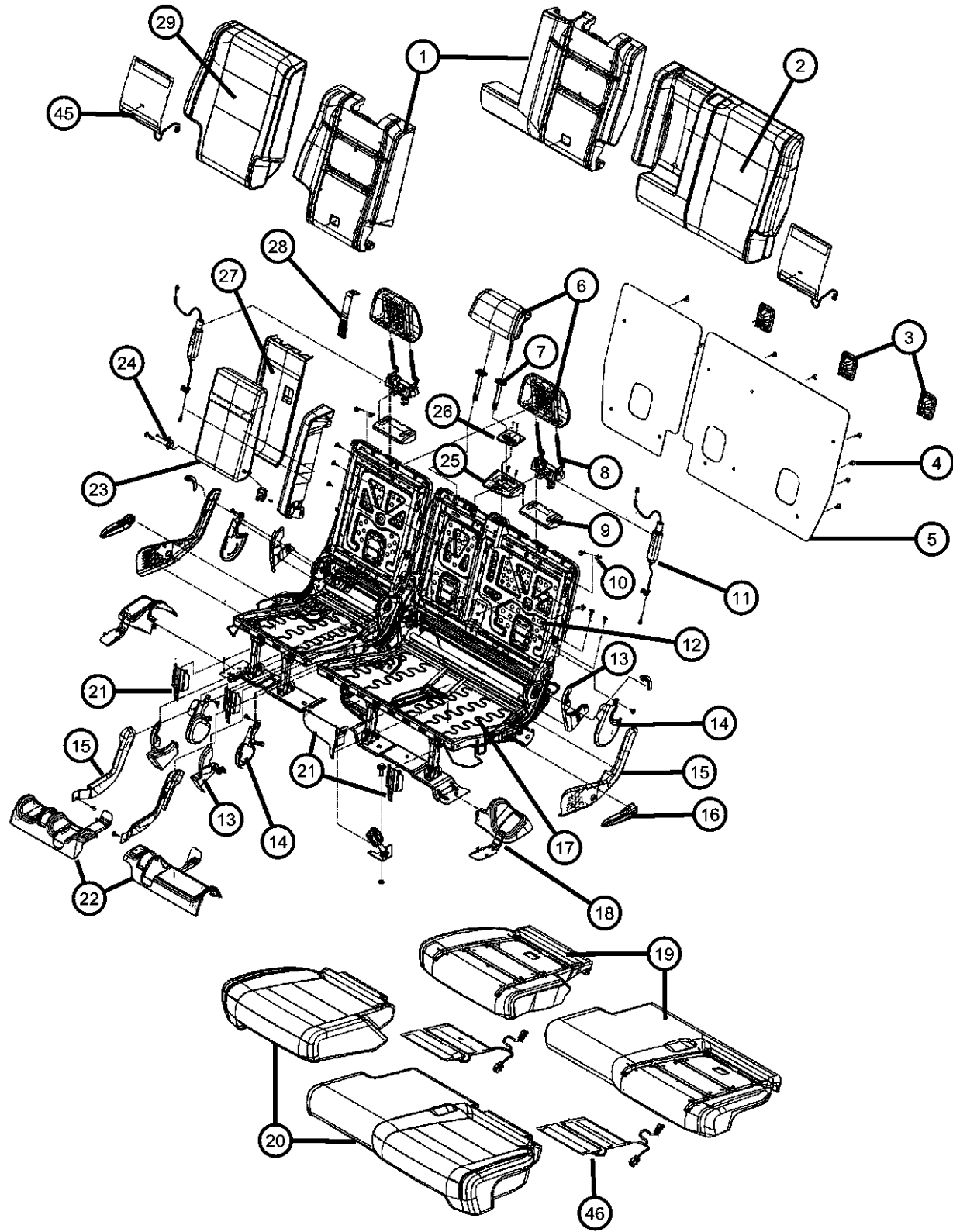
ENGINE
ERB = 3.0L V6 Engine
EZH = 5.7L V8 HEMI MDS
VVT Engine
EXF = 3.0L V6 Turbo Diesel
Engine

TRANSMISSION
DGQ = 5-Spd Automatic 545RFE
Transmission
DGJ = 5-Speed Auto W5A580
Transmission

AR = use ase required - = Non illustrated part

2011 WK

Rear Seat - 60/40 Seat - Trim Code [GL]
Figure 50-608



ITEM	PART NUMBER	QTY	LINE	SERIES	BODY	ENGINE	TRANS	TRIM	DESCRIPTION
	1TN421L1AA	2	J, T		74			*GL	[L9], Right & Left
		2	J		74			*GL	[L9], Right & Left
		2	U		74			*GL	[L9], Right & Left
	1TN421X9AA	2	J, T		74			*GL	[X9], Right & Left
	1TN331L1AA	1	J, T		74			*GL	[L9], Center
		1	J		74			*GL	[L9], Center
		1	U		74			*GL	[L9], Center
		1	J, T		74			*GL	[X9], Center
		2	J		74			*GL	[X9], Right & Left
		2	U		74			*GL	[X9], Right & Left
7									SLEEVE, Headrest
	1TM711L1AA	1	J, T		74			*GL	[L9], Locking
		1	J		74			*GL	[L9], Locking
		1	U		74			*GL	[L9], Locking
	1TM711X9AA	1	J, T		74			*GL	[X9], Locking
		1	U		74			*GL	[X9], Locking
	1TM711XTAA	1	J, T		74			*GL	[XT], Locking
		1	J		74			*GL	[XT], Locking
		1	U		74			*GL	[XT], Locking
	1TM721L1AA	1	J, T		74			*GL	[L9], Non-Locking
		1	J		74			*GL	[L9], Non-Locking
		1	U		74			*GL	[L9], Non-Locking
	1TM721XTAA	1	J, T		74			*GL	[XT], Non-Locking
		1	J		74			*GL	[XT], Non-Locking
		1	U		74			*GL	[XT], Non-Locking
		1	J		74			*GL	[X9], Locking
	1TM72DX9AA	1	U		74			*GL	[X9], Non-Locking
		1	J, T		74			*GL	[X9], Non-Locking
		1	J		74			*GL	[X9], Non-Locking
8									BRACKET, Pivot
	68086211AA	2	J, T		74			*GL	
		2	J		74			*GL	
		2	U		74			*GL	

GRAND CHEROKEE (WK)

SERIES LINE
H = HIGHLINE T = JEEP - 2WD
P = PREMIUM J = JEEP - 4WD
S = SPORT U = JEEP - 4WD (RHD)

BODY
74 = SPORT UTILITY 4-DR
TYPE #4

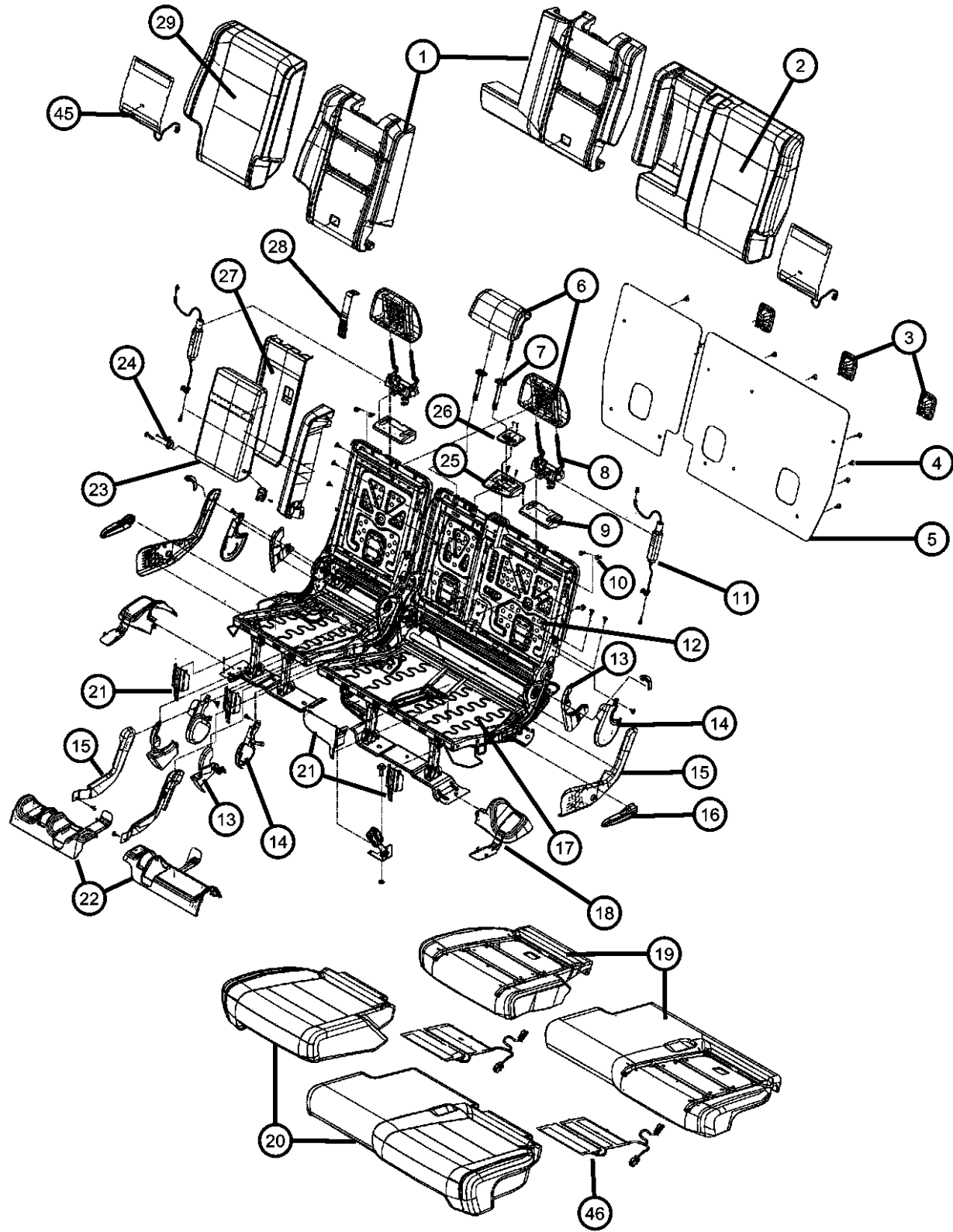
ENGINE
ERB = 3.0L Mid V6 Engine
EZH = 5.7L V8 HEMI MDS
VVT Engine
EXF = 3.0L V6 Turbo Diesel
Engine

TRANSMISSION
DGQ = 5-Spd Automatic 545RFE
Transmission
DGJ = 5-Speed Auto W5A580
Transmission

AR = use ase required - = Non illustrated part

2011 WK

Rear Seat - 60/40 Seat - Trim Code [GL]
Figure 50-608



ITEM	PART NUMBER	QTY	LINE	SERIES	BODY	ENGINE	TRANS	TRIM	DESCRIPTION
9	1TM80DX9AA	2	J, T		74			*GL	SHIELD, Recliner, Headrest Mechanism [L9]
		2	J, T		74			*GL	[X9]
		2	J, T		74			*GL	[XT]
		2	J		74			*GL	[L9]
		2	J		74			*GL	[X9]
		2	J		74			*GL	[XT]
		2	U		74			*GL	[L9]
		2	U		74			*GL	[X9]
		2	U		74			*GL	[XT]
10	68030757AB	4	J, T		74			*GL	BOLT
		4	J		74			*GL	
		4	U		74			*GL	
11	68086212AA	2	J, T		74			*GL	CABLE
		2	J		74			*GL	
		2	U		74			*GL	
12	68085347AA	1	J, T, U		74				FRAME, Rear Seat Back Right
	68085348AA	1	J, T, U		74				Left
13	1TM541L1AA	1	J, T		74			*GL	COVER, Rear Seat Pivot, Lower Bracket [L9], Right, Inboard
		1	J		74			*GL	[L9], Right, Inboard
		1	U		74			*GL	[L9], Right, Inboard
	1TM531L1AA	1	J, T		74			*GL	[L9], Right, Outboard
		1	J		74			*GL	[L9], Right, Outboard
		1	U		74			*GL	[L9], Right, Outboard
	1TM53DX9AA	1	J, T		74			*GL	[X9], Right, Outboard
		1	J		74			*GL	[X9], Right, Outboard
		1	U		74			*GL	[X9], Right, Outboard
	1TM561L1AA	1	J		74			*GL	[L9], Left, Inboard
	1TM54DX9AA	1	J, T		74			*GL	[X9], Right, Inboard

GRAND CHEROKEE (WK)

SERIES LINE
H = HIGHLINE T = JEEP - 2WD
P = PREMIUM J = JEEP - 4WD
S = SPORT U = JEEP - 4WD (RHD)

BODY
74 = SPORT UTILITY 4-DR TYPE #4

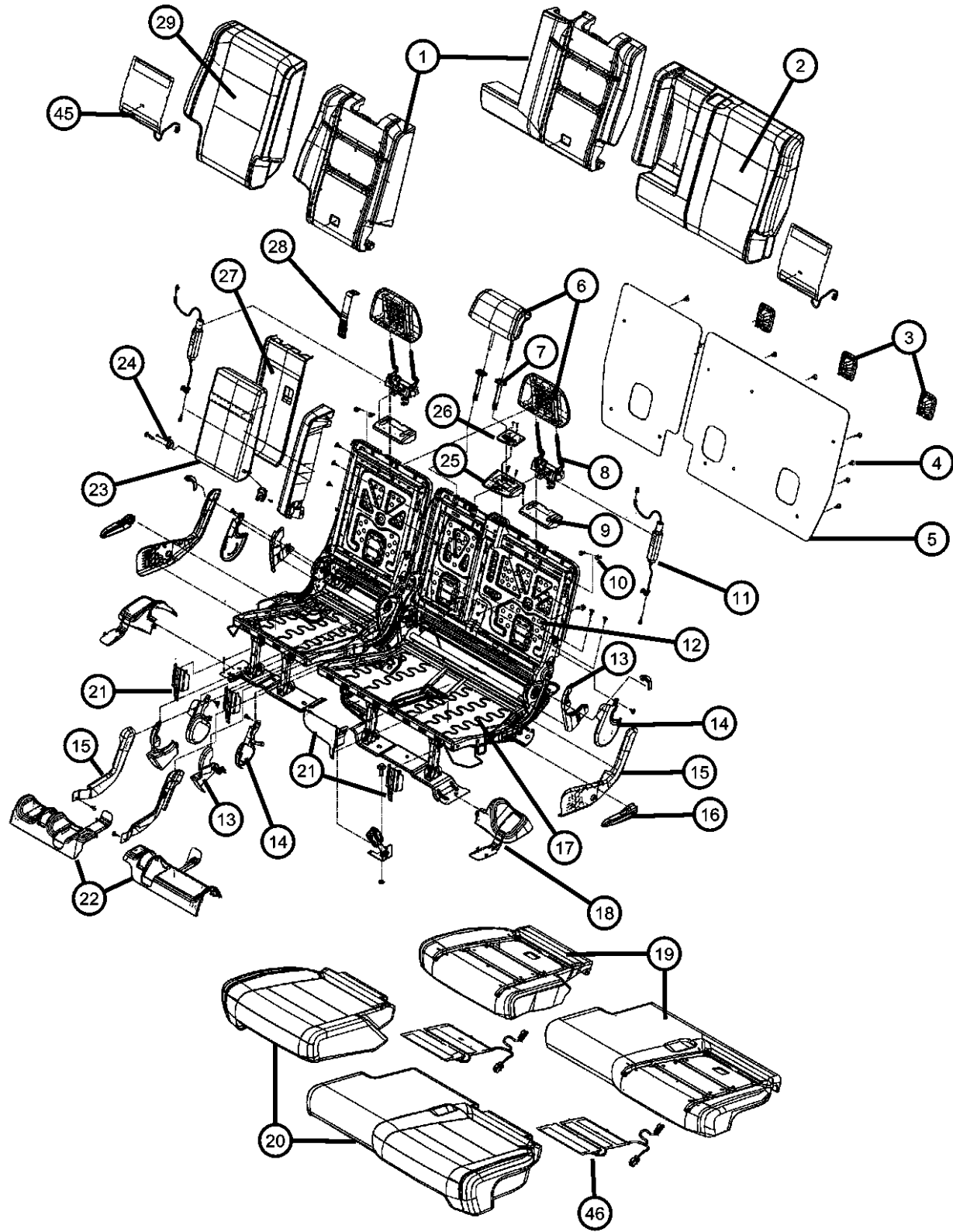
ENGINE
ERB = 3.0L Mid V6 Engine
EZH = 5.7L V8 HEMI MDS VVT Engine
EXF = 3.0L V6 Turbo Diesel Engine

TRANSMISSION
DGQ = 5-Spd Automatic 545RFE Transmission
DGJ = 5-Speed Auto W5A580 Transmission

AR = use ase required - = Non illustrated part

2011 WK

Rear Seat - 60/40 Seat - Trim Code [GL]
Figure 50-608



ITEM	PART NUMBER	QTY	LINE	SERIES	BODY	ENGINE	TRANS	TRIM	DESCRIPTION
		1	J		74			*GL	[X9], Right, Inboard
		1	U		74			*GL	[X9], Right, Inboard
	1TM551L1AA	1	J, T		74			*GL	[L9], Left, Outboard
		1	J		74			*GL	[L9], Left, Outboard
		1	U		74			*GL	[L9], Left, Outboard
	1TM55DX9AA	1	J, T		74			*GL	[X9], Left, Outboard
		1	J		74			*GL	[X9], Left, Outboard
		1	U		74			*GL	[X9], Left, Outboard
	1TM56DX9AA	1	J, T		74			*GL	[L9], Left, Inboard
		1	U		74			*GL	[L9], Left, Inboard
		1	J, T		74			*GL	[X9], Left, Inboard
		1	J		74			*GL	[X9], Left, Inboard
		1	U		74			*GL	[X9], Left, Inboard
14									SHIELD, Recliner, Upper Pivot
	1TM67DX9AA	1	J		74			*GL	[X9], Right, Outboard
		1	U		74			*GL	[X9], Right, Outboard
	1TM681L1AA	1	J, T		74			*GL	[L9], Right, Inboard
		1	J		74			*GL	[L9], Right, Inboard
		1	U		74			*GL	[L9], Right, Inboard
	1TM671L1AA	1	J, T		74			*GL	[L9], Right, Outboard
		1	J		74			*GL	[L9], Right, Outboard
		1	U		74			*GL	[L9], Right, Outboard
		1	J, T		74			*GL	[X9], Right, Outboard
	1TM69DX9AA	1	U		74			*GL	[X9], Left, Outboard
	1TM701L1AA	1	J, T		74			*GL	[L9], Left, Inboard
		1	J		74			*GL	[L9], Left, Inboard
		1	U		74			*GL	[L9], Left, Inboard
	1TM68DX9AA	1	J, T		74			*GL	[X9], Right, Inboard
		1	J		74			*GL	[X9], Right, Inboard
		1	U		74			*GL	[X9], Right, Inboard
	1TM691L1AA	1	J, T		74			*GL	[L9], Left, Outboard
		1	J		74			*GL	[L9], Left, Outboard
		1	U		74			*GL	[L9], Left, Outboard
		1	J, T		74			*GL	[X9], Left, Outboard

GRAND CHEROKEE (WK)

SERIES LINE
H = HIGHLINE T = JEEP - 2WD
P = PREMIUM J = JEEP - 4WD
S = SPORT U = JEEP - 4WD (RHD)

BODY
74 = SPORT UTILITY 4-DR
TYPE #4

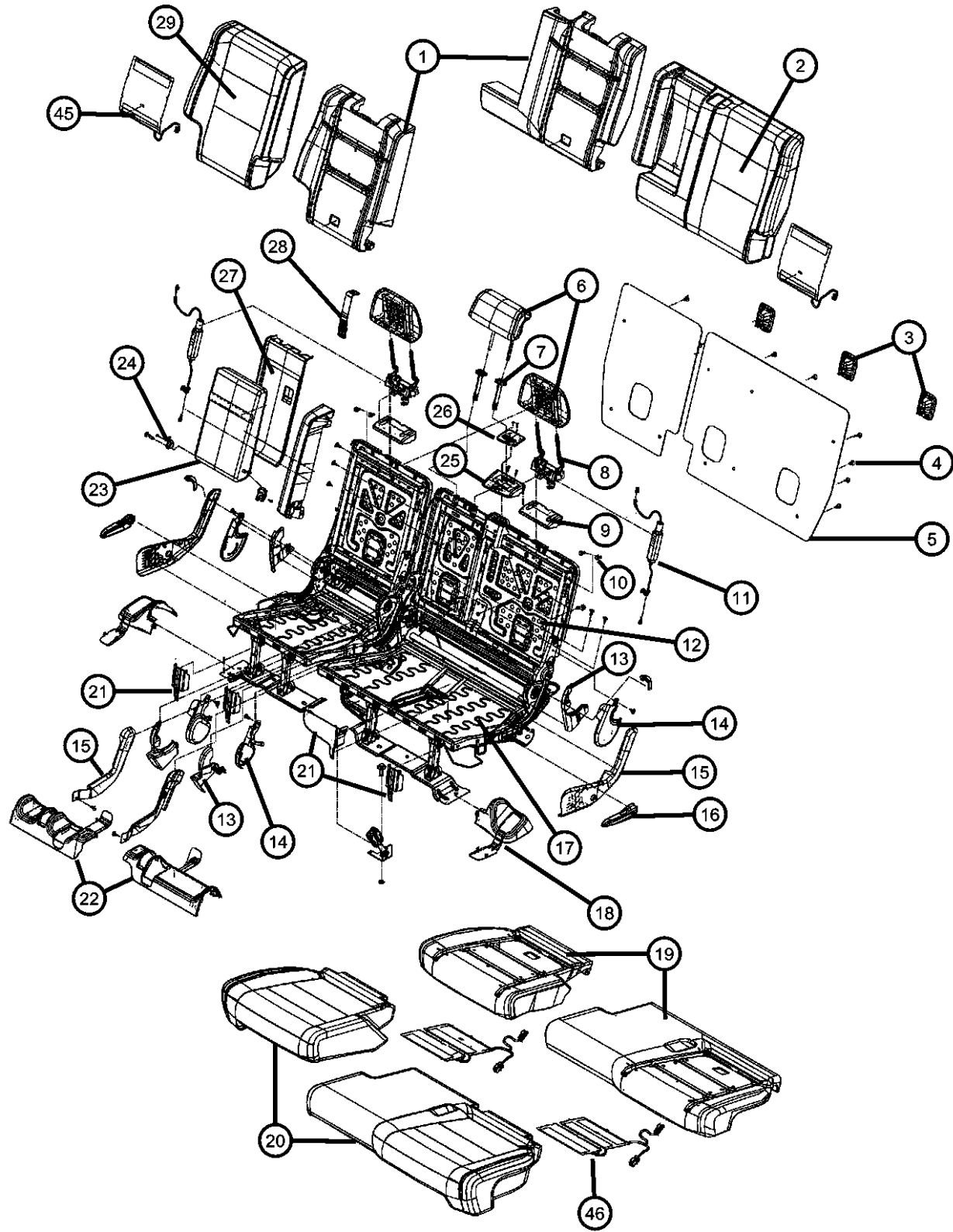
ENGINE
ERB = 3.0L V6 Engine
EZH = 5.7L V8 HEMI MDS
VVT Engine
EXF = 3.0L V6 Turbo Diesel
Engine

TRANSMISSION
DGQ = 5-Spd Automatic 545RFE
Transmission
DGJ = 5-Speed Auto W5A580
Transmission

AR = use ase required - = Non illustrated part

2011 WK

Rear Seat - 60/40 Seat - Trim Code [GL]
Figure 50-608



ITEM	PART NUMBER	QTY	LINE	SERIES	BODY	ENGINE	TRANS	TRIM	DESCRIPTION
15	1TM70DX9AA	1	J		74			*GL	[X9], Left, Outboard
	1TM70DX9AA	1	J, T		74			*GL	[X9], Left, Inboard
	1TM70DX9AA	1	J		74			*GL	[X9], Left, Inboard
	1TM70DX9AA	1	U		74			*GL	[X9], Left, Inboard
									SHIELD, Recliner, Drivelink
	1TM631L1AA	1	U		74			*GL	[L9], Right, Outboard
	1TM63DX9AA	1	J, T		74			*GL	[X9], Right, Outboard
	1TM63DX9AA	1	J		74			*GL	[X9], Right, Outboard
	1TM63DX9AA	1	U		74			*GL	[X9], Right, Outboard
	1TM641L1AA	1	J, T		74			*GL	[L9], Right, Inboard
	1TM641L1AA	1	J		74			*GL	[L9], Right, Inboard
	1TM641L1AA	1	U		74			*GL	[L9], Right, Inboard
	1TM641L1AA	1	J, T		74			*GL	[L9], Right, Outboard
	1TM641L1AA	1	J		74			*GL	[L9], Right, Outboard
	1TM65DX9AA	1	J, T		74			*GL	[X9], Left, Outboard
1TM65DX9AA	1	J		74			*GL	[X9], Left, Outboard	
1TM65DX9AA	1	U		74			*GL	[X9], Left, Outboard	
1TM661L1AA	1	J, T		74			*GL	[L9], Left, Inboard	
1TM661L1AA	1	J		74			*GL	[L9], Left, Inboard	
1TM661L1AA	1	U		74			*GL	[L9], Left, Inboard	
1TM64DX9AA	1	J, T		74			*GL	[X9], Right, Inboard	
1TM64DX9AA	1	J		74			*GL	[X9], Right, Inboard	
1TM64DX9AA	1	U		74			*GL	[X9], Right, Inboard	
1TM651L1AA	1	J, T		74			*GL	[L9], Left, Outboard	
1TM651L1AA	1	J		74			*GL	[L9], Left, Outboard	
1TM651L1AA	1	U		74			*GL	[L9], Left, Outboard	
1TM66DX9AA	1	J, T		74			*GL	[X9], Left, Inboard	
1TM66DX9AA	1	J		74			*GL	[X9], Left, Inboard	
1TM66DX9AA	1	U		74			*GL	[X9], Left, Inboard	
16									HANDLE, Recliner
	1TM571L1AA	1	J		74			*GL	[L9], Left
	1TM571L1AA	1	U		74			*GL	[L9], Left
	1TM57DX9AA	1	J, T		74			*GL	[X9], Left
1TM57DX9AA	1	J		74			*GL	[X9], Left	

GRAND CHEROKEE (WK)

SERIES LINE
H = HIGHLINE T = JEEP - 2WD
P = PREMIUM J = JEEP - 4WD
S = SPORT U = JEEP - 4WD (RHD)

BODY
74 = SPORT UTILITY 4-DR
TYPE #4

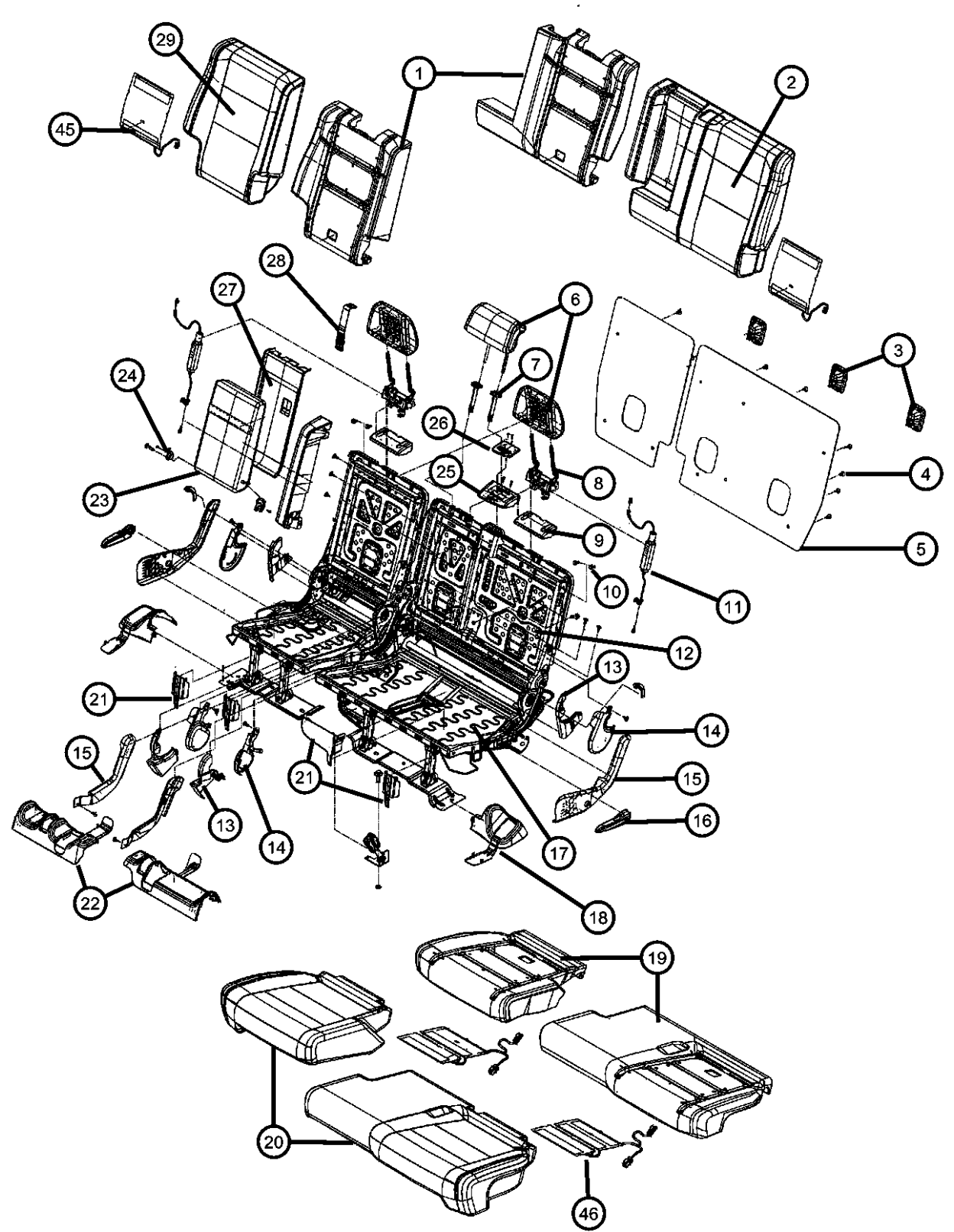
ENGINE
ERB = 3.0L Mid V6 Engine
EZH = 5.7L V8 HEMI MDS
VVT Engine
EXF = 3.0L V6 Turbo Diesel
Engine

TRANSMISSION
DGQ = 5-Speed Automatic 545RFE
Transmission
DGJ = 5-Speed Auto W5A580
Transmission

AR = use ase required - = Non illustrated part

2011 WK

Rear Seat - 60/40 Seat - Trim Code [GL]
Figure 50-608

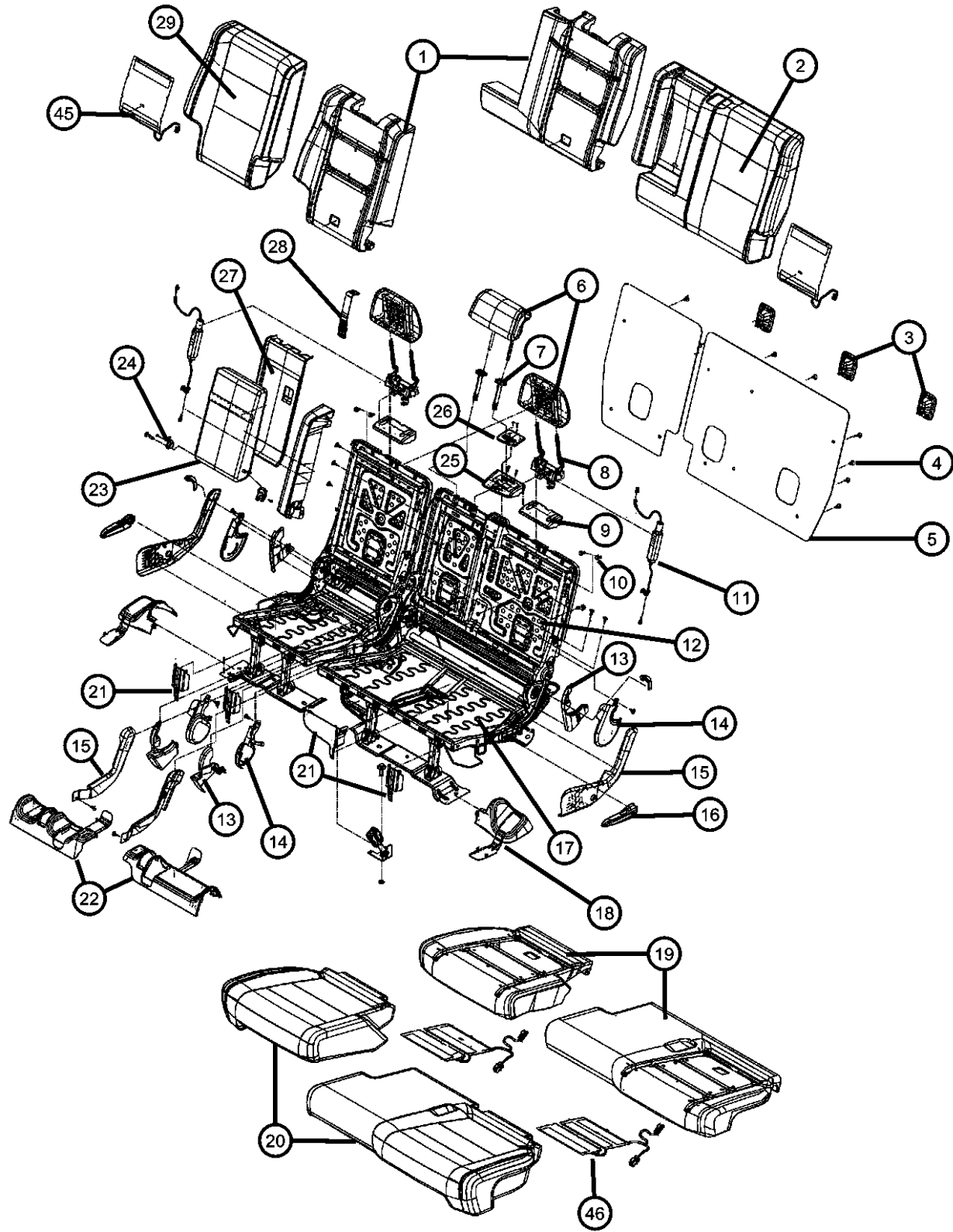


ITEM	PART NUMBER	QTY	LINE	SERIES	BODY	ENGINE	TRANS	TRIM	DESCRIPTION
		1	U		74			*GL	[X9], Left
	1TM581L1AA	1	J, T		74			*GL	[L9], Right
		1	J		74			*GL	[L9], Right
		1	U		74			*GL	[L9], Right
	1TM58DX9AA	1	J, T		74			*GL	[L9], Left
		1	J, T		74			*GL	[X9], Right
		1	J		74			*GL	[X9], Right
		1	U		74			*GL	[X9], Right
17									FRAME, Seat cushion
	68085349AA	1	J, T, U		74				Right
	68085350AA	1	J, T, U		74				Left
18									COVER, Seat Base, End Cap
	1TM861L1AA	1	J		74			*GL	[L9], Right
		1	U		74			*GL	[L9], Right
	1TM86DX9AA	1	J, T		74			*GL	[X9], Right
		1	J		74			*GL	[X9], Right
		1	U		74			*GL	[X9], Right
	1TM881L1AA	1	J, T		74			*GL	[L9], Left
		1	J		74			*GL	[L9], Left
		1	U		74			*GL	[L9], Left
	1TM88DX9AA	1	J, T		74			*GL	[X9], Left
		1	J, T		74			*GL	[L9], Right
		1	J		74			*GL	[X9], Left
		1	U		74			*GL	[X9], Left
19									FOAM, Seat Cushion
	68086223AA	1	J		74			*GL	Left
		1	U		74			*GL	Left
	68086225AA	1	J, T		74			*GL	Right
		1	J		74			*GL	Right
		1	U		74			*GL	Right
	68086323AA	1	J, T		74			*GL	Left
20									COVER, Rear Seat Cushion
	1TN451L1AA	1	J, T		74			*GL	[L9], Left
		1	J		74			*GL	[L9], Left

GRAND CHEROKEE (WK)
 SERIES LINE BODY ENGINE TRANSMISSION
 H = HIGHLINE T = JEEP - 2WD 74 = SPORT UTILITY 4-DR ERB = 3.XL Mid V6 Engine DGQ = 5-Spd Automatic 545RFE
 P = PREMIUM J = JEEP - 4WD TYPE #4 EZH = 5.7L V8 HEMI MDS Transmission
 S = SPORT U = JEEP - 4WD (RHD) EXF = 3.0L V6 Turbo Diesel VVT Engine DGJ = 5-Speed Auto W5A580
 Engine Transmission

AR = use ase required - = Non illustrated part

Rear Seat - 60/40 Seat - Trim Code [GL]
Figure 50-608



ITEM	PART NUMBER	QTY	LINE	SERIES	BODY	ENGINE	TRANS	TRIM	DESCRIPTION
	1TN451X9AA	1	U		74			*GL	[L9], Left
		1	J, T		74			*GL	[X9], Left
		1	J		74			*GL	[X9], Left
		1	U		74			*GL	[X9], Left
	1TN461L1AA	1	J, T		74			*GL	[L9], Right
		1	J		74			*GL	[L9], Right
		1	U		74			*GL	[L9], Right
	1TN461X9AA	1	J, T		74			*GL	[X9], Right
		1	J		74			*GL	[X9], Right
		1	U		74			*GL	[X9], Right
21									SHIELD, RISER, Pivot Leg
	1TM591L1AA	3	J, T		74			*GL	[L9]
		3	J		74			*GL	[L9]
		3	U		74			*GL	[L9]
	1TM59DX9AA	3	J, T		74			*GL	[X9]
		3	J		74			*GL	[X9]
		3	U		74			*GL	[X9]
	1TM611L1AA	1	J, T		74			*GL	[L9], Left, Inboard
		1	J		74			*GL	[L9], Left, Inboard
		1	U		74			*GL	[L9], Left, Inboard
	1TM61DX9AA	1	J, T		74			*GL	[X9], Left, Inboard
		1	J		74			*GL	[X9], Left, Inboard
		1	U		74			*GL	[X9], Left, Inboard
22									SHIELD, RISER, Front Floor Bracket
	1TM601L1AA	1	J, T		74			*GL	[L9], Right
		1	J		74			*GL	[L9], Right
		1	U		74			*GL	[L9], Right
	1TM60DX9AA	1	J, T		74			*GL	[X9], Right
		1	J		74			*GL	[X9], Right
		1	U		74			*GL	[X9], Right
	1TM621L1AA	1	J, T		74			*GL	[L9], Left
		1	J		74			*GL	[L9], Left
	1TM62DX9AA	1	J, T		74			*GL	[X9], Left

GRAND CHEROKEE (WK)

SERIES LINE
H = HIGHLINE T = JEEP - 2WD
P = PREMIUM J = JEEP - 4WD
S = SPORT U = JEEP - 4WD (RHD)

BODY
74 = SPORT UTILITY 4-DR
TYPE #4

ENGINE
ERB = 3.0L Mid V6 Engine
EZH = 5.7L V8 HEMI MDS
VVT Engine
EXF = 3.0L V6 Turbo Diesel
Engine

TRANSMISSION
DGQ = 5-Spd Automatic 545RFE
Transmission
DGJ = 5-Speed Auto W5A580
Transmission

AR = use ase required - = Non illustrated part

2011 WK

Rear Seat - 60/40 Seat - Trim Code [GL]
Figure 50-608

ITEM	PART NUMBER	QTY	LINE	SERIES	BODY	ENGINE	TRANS	TRIM	DESCRIPTION	
23	1TN321L1AA	1	J		74			*GL	[X9], Left	
		1	U		74			*GL	[X9], Left	
		1	U		74			*GL	[L9], Left	
										ARMREST, Second Row
		1	J, T		74			*GL	[L9]	
		1	J		74			*GL	[L9]	
		1	U		74			*GL	[L9]	
		1	J, T		74			*GL	[X9]	
		1	J		74			*GL	[X9]	
		1	U		74			*GL	[X9]	
24	68086230AA	1	J, T		74			*GL	Right	
		1	J		74			*GL	Right	
		1	U		74			*GL	Right	
		1	J, T		74			*GL	Left	
		1	J		74			*GL	Left	
		1	U		74			*GL	Left	
25	1TM83DX9AA								BUSHING, Pivot	
		1	J, T		74			*GL	Right	
		1	J		74			*GL	Right	
		1	U		74			*GL	Right	
		1	J, T		74			*GL	Left	
		1	J		74			*GL	Left	
		1	U		74			*GL	Left	
										BEZEL, Seat Belt, Routing
		1	J		74			*GL	[XT]	
		1	U		74			*GL	[L9]	
26	1TM731L1AA	1	U		74			*GL	[X9]	
		1	J, T		74			*GL	[L9]	
		1	J, T		74			*GL	[X9]	
		1	J, T		74			*GL	[XT]	
		1	J		74			*GL	[L9]	
		1	J		74			*GL	[X9]	
		1	U		74			*GL	[XT]	
										BEZEL, Seat Belt, Exit
		1	J, T		74			*GL	[L9]	
		1	J		74			*GL	[L9]	
20	1TM73DX9AA	1	U		74			*GL	[L9]	
		1	J, T		74			*GL	[X9]	
		1	J		74			*GL	[X9]	
		1	U		74			*GL	[X9]	

GRAND CHEROKEE (WK)

SERIES LINE
H = HIGHLINE T = JEEP - 2WD
P = PREMIUM J = JEEP - 4WD
S = SPORT U = JEEP - 4WD (RHD)

BODY
74 = SPORT UTILITY 4-DR
TYPE #4

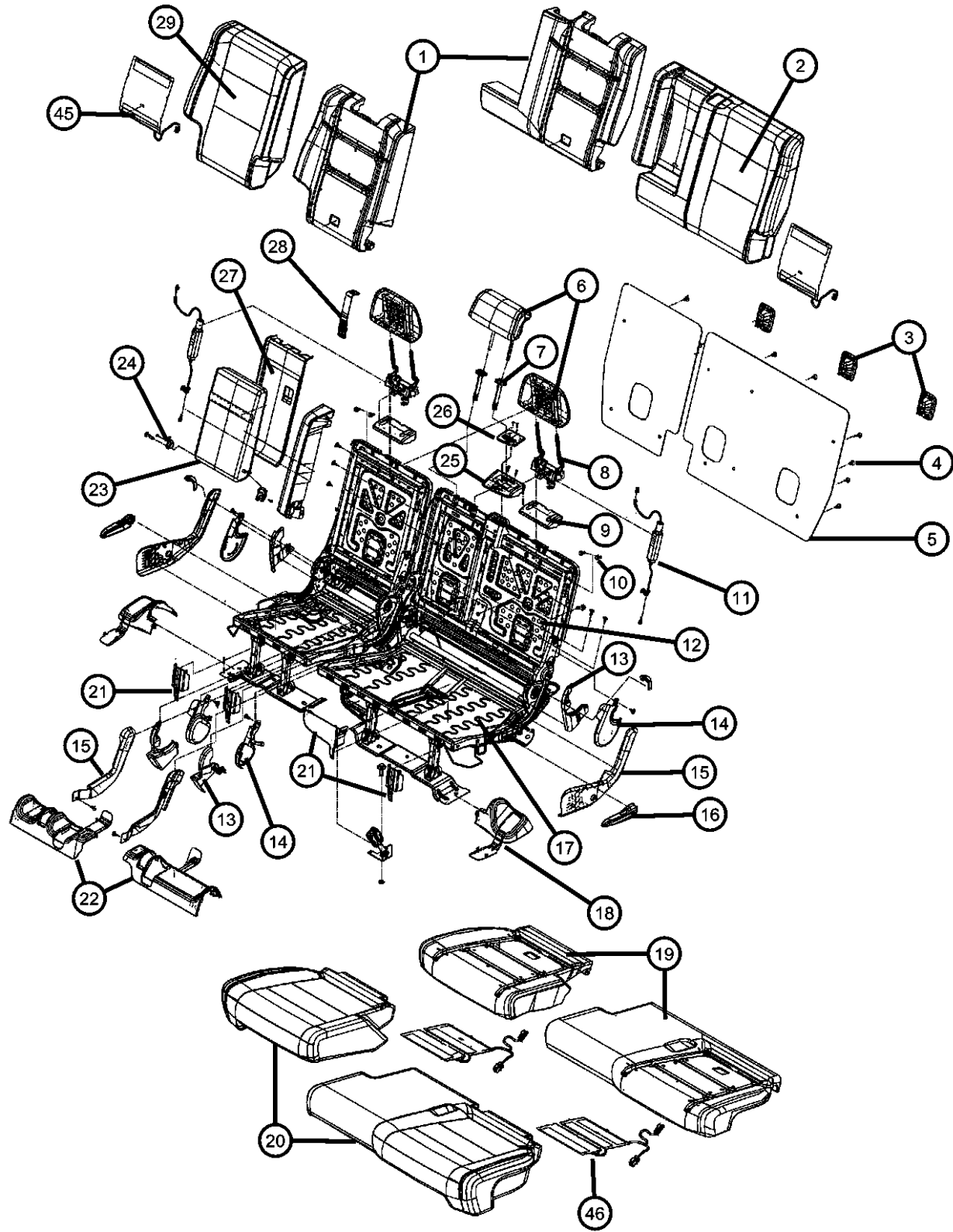
ENGINE
ERB = 3.0L Mid V6 Engine
EZH = 5.7L V8 HEMI MDS
VVT Engine
EXF = 3.0L V6 Turbo Diesel
Engine

TRANSMISSION
DGQ = 5-Speed Automatic 545RFE
Transmission
DGJ = 5-Speed Auto W5A580
Transmission

AR = use ase required - = Non illustrated part

2011 WK

Rear Seat - 60/40 Seat - Trim Code [GL]
Figure 50-608



ITEM	PART NUMBER	QTY	LINE	SERIES	BODY	ENGINE	TRANS	TRIM	DESCRIPTION
27	1TM761L1AA	1	J, T		74			*GL	PANEL, Seat Base, Armrest [L9]
		1	J		74			*GL	[L9]
		1	U		74			*GL	[L9]
	1TM76DX9AA	1	J, T		74			*GL	[X9]
		1	J		74			*GL	[X9]
		1	U		74			*GL	[X9]
28									STRAP
	1TM741X9AA	1	J		74			*GL	[X9]
	1TM741XTAA	1	J, T		74			*GL	[XT]
		1	U		74			*GL	[X9]
		1	J		74			*GL	[XT]
		1	U		74			*GL	[XT]
	1TM741L1AA	1	J, T		74			*GL	[L9]
		1	J		74			*GL	[L9]
		1	U		74			*GL	[L9]
		1	J, T		74			*GL	[X9]
29									COVER, Rear Seat Back, 40%
	1TN441L1AA	1	U		74			*GL	[L9]
	1TN441X9AA	1	J, T		74			*GL	[X9]
		1	J		74			*GL	[X9]
		1	J, T		74			*GL	[L9]
		1	J		74			*GL	[L9]
		1	U		74			*GL	[X9]
-30		1							SCREW, Mounts Pivot Bushing To Armrest, (NOT SERVICED),
-31									SCREW, Seat, Mounts Seat Belt Exit Bezel
	68086234AA	2	J, T		74			*GL	
		2	J		74			*GL	
		2	U		74			*GL	
-32									BOLT, M12x1.74x43
	68086233AA	1	J, T		74			*GL	
		1	J		74			*GL	
		1	U		74			*GL	

GRAND CHEROKEE (WK)

SERIES LINE
H = HIGHLINE T = JEEP - 2WD
P = PREMIUM J = JEEP - 4WD
S = SPORT U = JEEP - 4WD (RHD)

BODY
74 = SPORT UTILITY 4-DR
TYPE #4

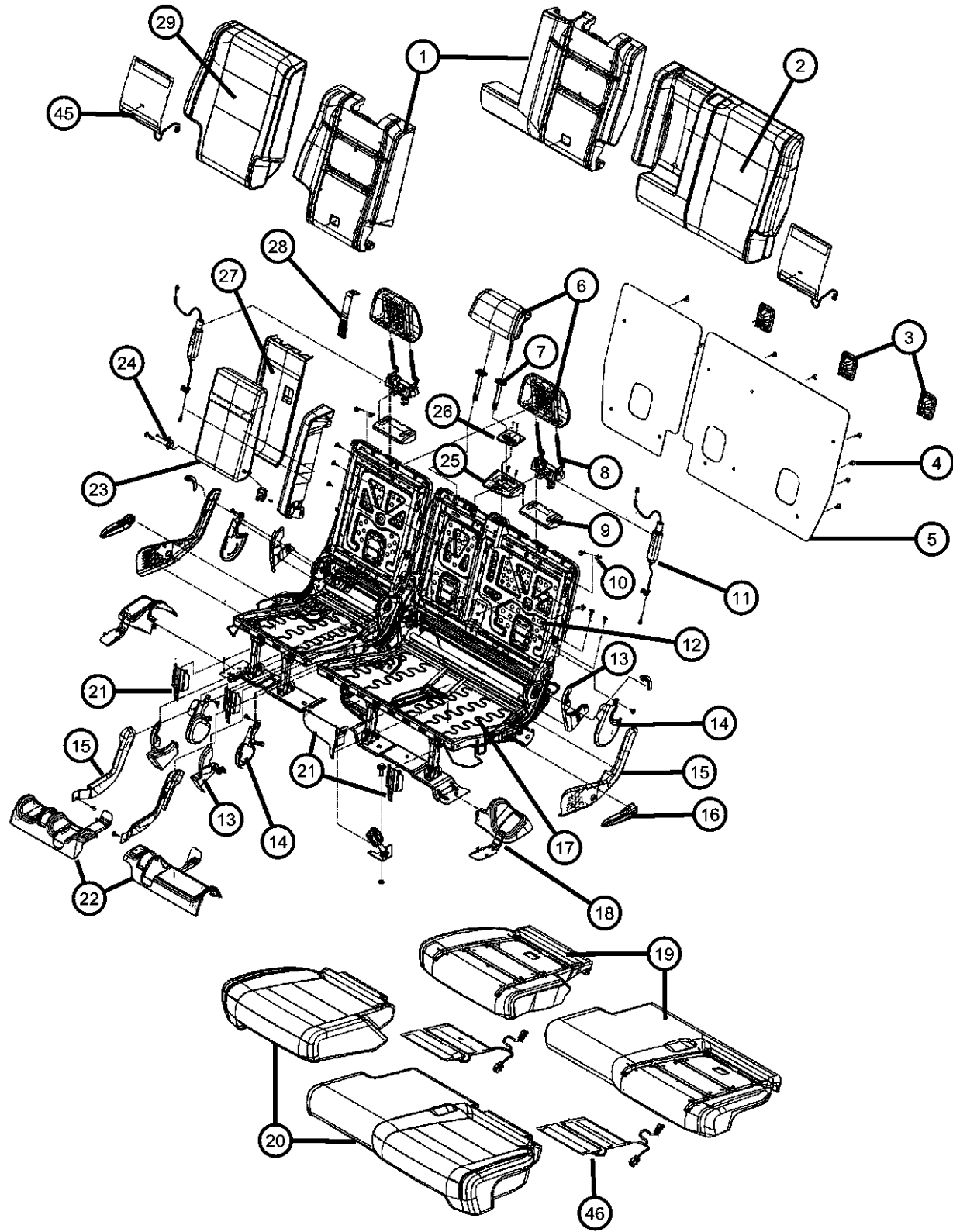
ENGINE
ERB = 3.0L Mid V6 Engine
EZH = 5.7L V8 HEMI MDS
VVT Engine
EXF = 3.0L V6 Turbo Diesel
Engine

TRANSMISSION
DGQ = 5-Spd Automatic 545RFE
Transmission
DGJ = 5-Speed Auto W5A580
Transmission

AR = use ase required - = Non illustrated part

2011 WK

Rear Seat - 60/40 Seat - Trim Code [GL]
Figure 50-608



ITEM	PART NUMBER	QTY	LINE	SERIES	BODY	ENGINE	TRANS	TRIM	DESCRIPTION
-33	68085365AA	8	J, T, U		74				BOLT, M10x1.5x25
-34	68085366AA	9	J, T, U		74				BOLT, M8x1.25x50
-35	68085367AA	4	J, T, U		74				BOLT, Mounts O/B Headrest Pivot Mechanism To Seat Back Frame
-36									LINKAGE, Seat, Front
	68085351AA	1	J, T, U		74				Right
	68085352AA	1	J, T, U		74				Left
-37	68085353AA	18	J, T, U		74				BUSHING, Pivot Leg
-38	68085354AA	2	J, T, U		74				LINKAGE, Seat, Motion
-39	68085355AA	1	J, T, U		74				LINKAGE, Seat, Flag
-40	68085357AA	2	J, T, U		74				SPRING, Pivot Leg Lift
-41									RECLINER, Seat Back
	68085361AA	1	J, T, U		74				Left
	68085360AA	1	J, T, U		74				Right
-42									LINKAGE, Seat, Stanchion
	68085362AA	1	J, T, U		74				Left
	68085363AA	1	J, T, U		74				Right
-43									TORSION BAR
	68085358AA	1	J, T, U		74				Left
	68085359AA	1	J, T, U		74				Right
-44	68085364AA	1	J, T, U		74				CLIP, Cable
45									HEATED PAD, Seat Back
	04610226AC	2	U		74			*GL	
		2	J, T		74			*GL	
		2	J		74			*GL	
46									HEATED PAD, Seat Cushion
	04610228AC	2	J, T		74			*GL	
		2	J		74			*GL	
		2	U		74			*GL	

GRAND CHEROKEE (WK)

SERIES LINE
H = HIGHLINE T = JEEP - 2WD
P = PREMIUM J = JEEP - 4WD
S = SPORT U = JEEP - 4WD (RHD)

BODY
74 = SPORT UTILITY 4-DR
TYPE #4

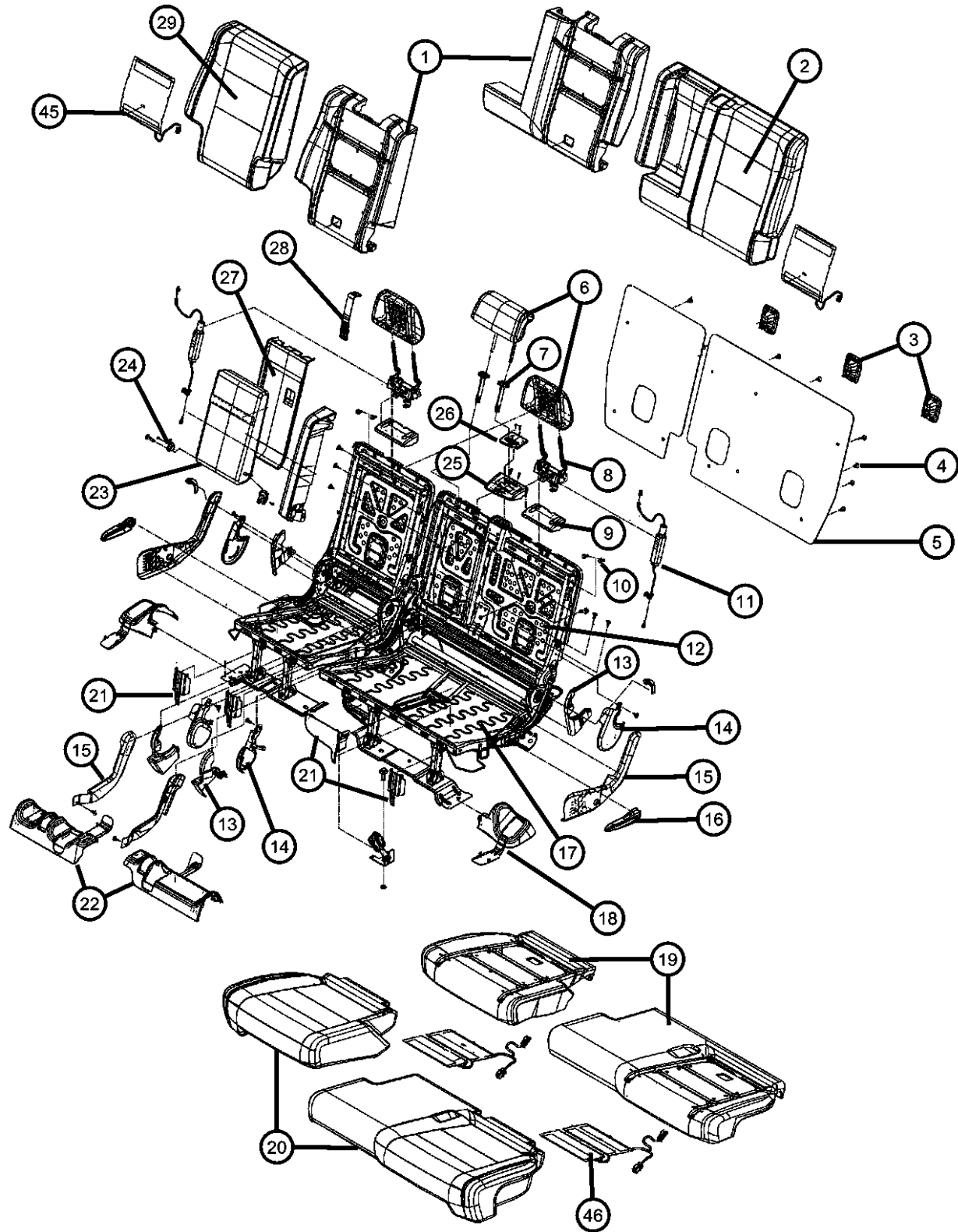
ENGINE
ERB = 3.0L Mid V6 Engine
EZH = 5.7L V8 HEMI MDS
VVT Engine
EXF = 3.0L V6 Turbo Diesel
Engine

TRANSMISSION
DGQ = 5-Spd Automatic 545RFE
Transmission
DGJ = 5-Speed Auto W5A580
Transmission

AR = use ase required - = Non illustrated part

2011 WK

Rear Seat - 60/40 Seat - Trim Code [UL]
Figure 50-609



ITEM	PART NUMBER	QTY	LINE	SERIES	BODY	ENGINE	TRANS	TRIM	DESCRIPTION	
1	68086218AA	1	J		74			*UL	FOAM, Seat Back [JT2], [SUB], Right	
		1	J, T		74			*UL	[JT2], Right	
		1	U		74			*UL	[JT2], [SUB], Right	
		1	J		74			*UL	[JT2], [NHS], [SUB], Right	
		1	U		74			*UL	[JT2], [NHS], [SUB], Right	
		1	J		74			*UL	[JTE], [JPM], [JPZ], Right	
		68086221AA	1	J		74			*UL	[JT2], [NHS], [SUB], Left
			1	J		74			*UL	[JTE], [JPM], [JPZ], Left
			1	J, T		74			*UL	[JTE], [JPM], Right
			1	J, T		74			*UL	[JT2], Left
			1	U		74			*UL	[JT2], [SUB], Left
			1	U		74			*UL	[JT2], [NHS], [SUB], Left
			1	J		74			*UL	[JT2], [SUB], Left
			1	J, T		74			*UL	[JTE], [JPM], Left
2	1TN591L1AA	1	J		74			*UL	COVER, Rear Seat Back, 60% [XL], [JT2], [NHS], [SUB]	
		1	J		74			*UL	[XL], [JT2], [SUB]	
		1	J, T		74			*UL	[XL], [JT2]	
		1	U		74			*UL	[XL], [JT2], [NHS], [SUB]	
		1TN59BD3AA	1	J, T		74			*UL	[D3], [JTE], [JPM]
			1	U		74			*UL	[XL], [JT2], [SUB]
		1TN59DX9AA	1	J		74			*UL	[X9], [JT2], [NHS], [SUB]
			1	J		74			*UL	[X9], [JT2], [SUB]
			1	J, T		74			*UL	[X9], [JT2]
			1	U		74			*UL	[X9], [JT2], [SUB]
			1	U		74			*UL	[X9], [JT2], [NHS], [SUB]
			1	J		74			*UL	[X9], [JTE], [JPM], [JPZ]
			1	J, T		74			*UL	[X9], [JTE], [JPM]
			3	1TM751H1AA	3	J		74		
3	J				74			*UL	[XL], [JT2], [SUB]	
3	J, T				74			*UL	[XL], [JT2]	
3	U				74			*UL	[XL], [JT2], [NHS], [SUB]	
1TM75BD3AA	3	J, T				74			*UL	[D3], [JTE], [JPM]

GRAND CHEROKEE (WK)

SERIES LINE
H = HIGHLINE T = JEEP - 2WD
P = PREMIUM J = JEEP - 4WD
S = SPORT U = JEEP - 4WD (RHD)

BODY
74 = SPORT UTILITY 4-DR
TYPE #4

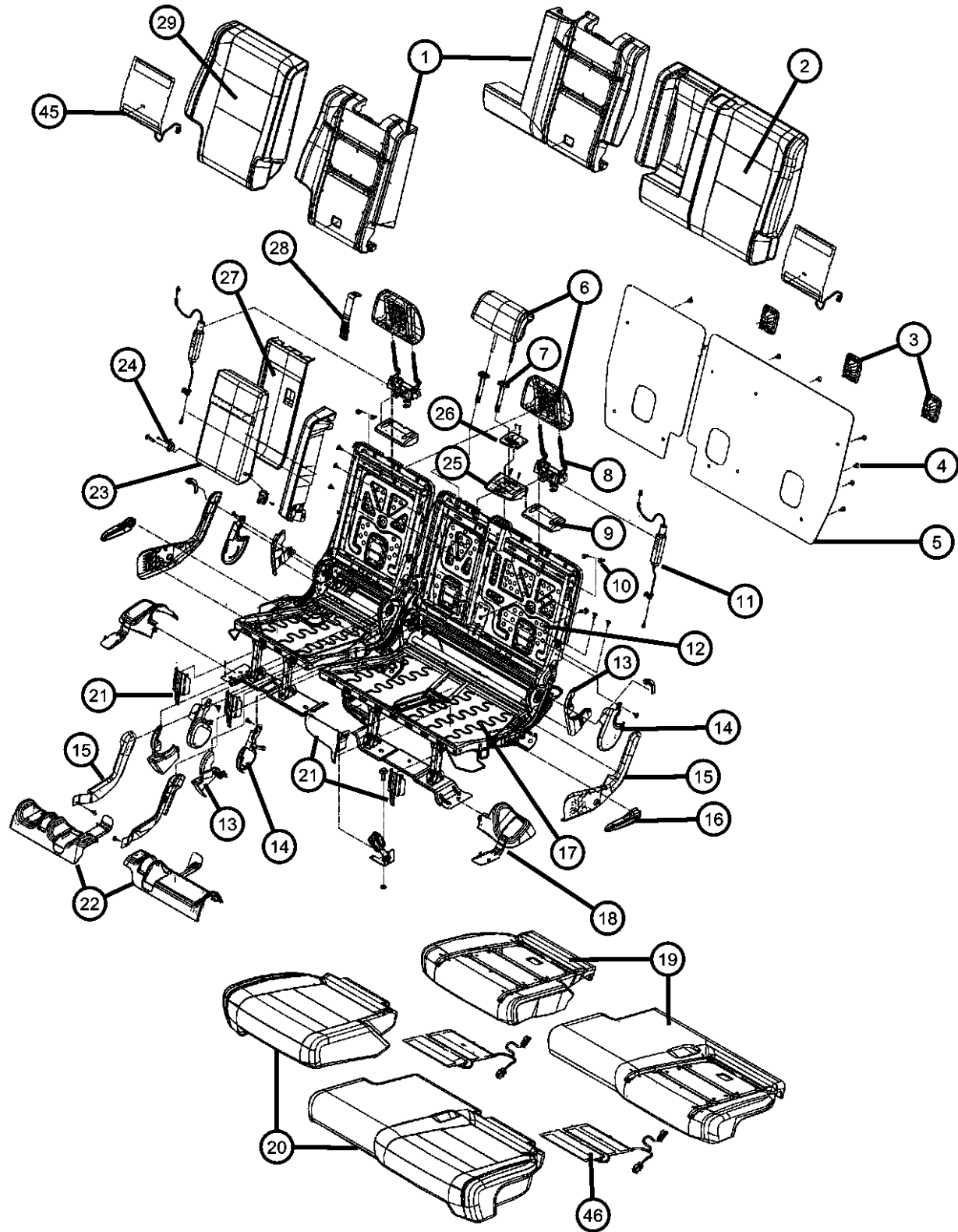
ENGINE
ERB = 3.0L Mid V6 Engine
EZH = 5.7L V8 HEMI MDS
VVT Engine
EXF = 3.0L V6 Turbo Diesel
Engine

TRANSMISSION
DGQ = 5-Speed Automatic 545RFE
Transmission
DGJ = 5-Speed Auto W5A580
Transmission

AR = use ase required - = Non illustrated part

2011 WK

Rear Seat - 60/40 Seat - Trim Code [UL]
Figure 50-609



ITEM	PART NUMBER	QTY	LINE	SERIES	BODY	ENGINE	TRANS	TRIM	DESCRIPTION
		3	U		74			*UL	[XL], [JT2], [SUB]
	1TM75DX9AA	3	J		74			*UL	[X9], [JT2], [NHS], [SUB]
		3	J, T		74			*UL	[X9], [JTE], [JPM]
		3	J		74			*UL	[X9], [JT2], [SUB]
		3	J, T		74			*UL	[X9], [JT2]
		3	U		74			*UL	[X9], [JT2], [SUB]
		3	U		74			*UL	[X9], [JT2], [NHS], [SUB]
		3	J		74			*UL	[X9], [JTE], [JPM], [JPZ]
4									RETAINER
	68086235AA	23	U		74			*UL	[JT2], [SUB]
		23	J		74			*UL	[JT2], [NHS], [SUB]
		23	J, T		74			*UL	[JTE], [JPM]
		23	U		74			*UL	[JT2], [NHS], [SUB]
		23	J, T		74			*UL	[JT2]
		23	J		74			*UL	[JT2], [SUB]
		23	J		74			*UL	[JTE], [JPM], [JPZ]
5									PANEL, Seat Back
	68086216AA	1	J, T		74			*UL	[JT2], Right
	68086217AA	1	J, T		74			*UL	[JTE], [JPM], Left
	68086400AA	1	J		74			*UL	[JT2], [SUB], Right
		1	J		74			*UL	[JTE], [JPM], [JPZ], Right
		1	U		74			*UL	[JT2], [SUB], Right
		1	J		74			*UL	[JT2], [NHS], [SUB], Right
	68086399AA	1	J		74			*UL	[JT2], [NHS], [SUB], Left
		1	J, T		74			*UL	[JTE], [JPM], Right
		1	J, T		74			*UL	[JT2], Left
		1	J		74			*UL	[JTE], [JPM], [JPZ], Left
		1	U		74			*UL	[JT2], [SUB], Left
		1	J		74			*UL	[JT2], [SUB], Left
		1	U		74			*UL	[JT2], [NHS], [SUB], Left
		1	U		74			*UL	[JT2], [NHS], [SUB], Right
6									HEADREST, Second Row
	1TN331L1AA	1	J, T		74			*UL	[XL], [JT2], Center
		1	J		74			*UL	[XL], [JT2], [SUB], Center

GRAND CHEROKEE (WK)

SERIES LINE
H = HIGHLINE T = JEEP - 2WD
P = PREMIUM J = JEEP - 4WD
S = SPORT U = JEEP - 4WD (RHD)

BODY
74 = SPORT UTILITY 4-DR
TYPE #4

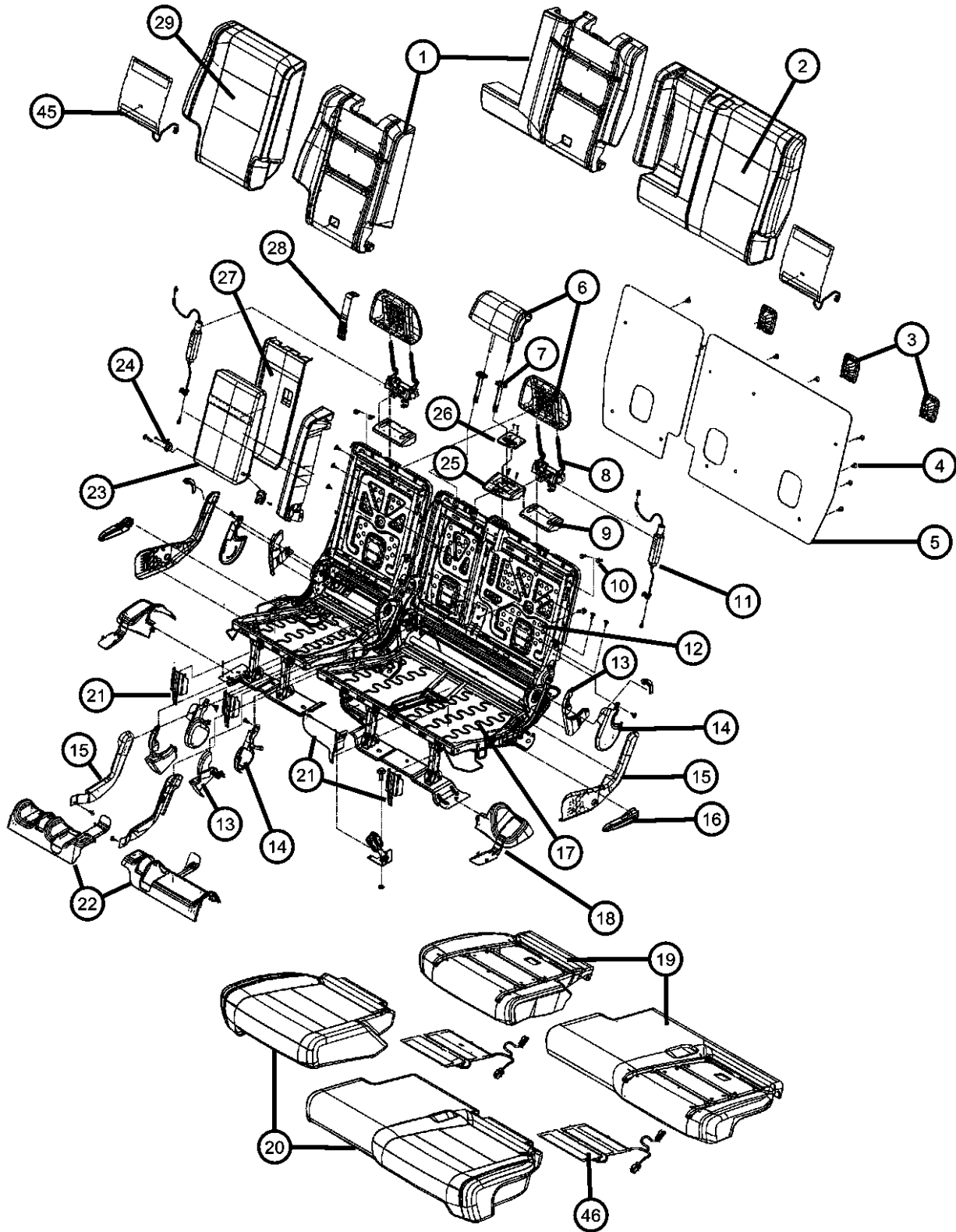
ENGINE
ERB = 3.0L Mid V6 Engine
EZH = 5.7L V8 HEMI MDS
VVT Engine
EXF = 3.0L V6 Turbo Diesel
Engine

TRANSMISSION
DGQ = 5-Speed Automatic 545RFE
Transmission
DGJ = 5-Speed Auto W5A580
Transmission

AR = use ase required - = Non illustrated part

2011 WK

Rear Seat - 60/40 Seat - Trim Code [UL]
Figure 50-609



ITEM	PART NUMBER	QTY	LINE	SERIES	BODY	ENGINE	TRANS	TRIM	DESCRIPTION
		1	U		74			*UL	[XL], [JT2], [SUB], Center
		1	J		74			*UL	[XL], [JT2], [NHS], [SUB], Center
	1TN33BD3AA	1	J, T		74			*UL	[D3], [JTE], [JPM], Center
	1TN33DX9AA	1	J, T		74			*UL	[X9], [JT2], Center
		1	U		74			*UL	[XL], [JT2], [NHS], [SUB], Center
		1	J		74			*UL	[X9], [JT2], [SUB], Center
		1	J		74			*UL	[X9], [JTE], [JPM], [JPZ], Center
		1	J		74			*UL	[X9], [JT2], [NHS], [SUB], Center
		1	U		74			*UL	[X9], [JT2], [NHS], [SUB], Center
		1	J, T		74			*UL	[X9], [JTE], [JPM], Center
		1	U		74			*UL	[X9], [JT2], [SUB], Center
	1TN341L1AA	2	J		74			*UL	[XL], [JT2], [NHS], [SUB], Right & Left
		2	J		74			*UL	[XL], [JT2], [SUB], Right & Left
		2	J, T		74			*UL	[XL], [JT2], Right & Left
		2	U		74			*UL	[XL], [JT2], [NHS], [SUB], Right & Left
	1TN34BD3AA	2	J, T		74			*UL	[D3], [JTE], [JPM], Right & Left
		2	U		74			*UL	[XL], [JT2], [SUB], Right & Left
	1TN34DX9AA	2	J		74			*UL	[X9], [JT2], [NHS], [SUB], Right & Left
		2	J		74			*UL	[X9], [JT2], [SUB], Right & Left
		2	J, T		74			*UL	[X9], [JT2], Right & Left
		2	U		74			*UL	[X9], [JT2], [SUB], Right & Left
		2	U		74			*UL	[X9], [JT2], [NHS], [SUB], Right & Left
		1	J		74			*UL	[X9], [JTE], [JPM], [JPZ], Right & Left
		2	J, T		74			*UL	[X9], [JTE], [JPM], Right & Left
7									SLEEVE, Headrest
	1TM711L1AA	1	J, T		74			*UL	[XL], [JT2], Locking
		1	J		74			*UL	[XL], [JT2], [SUB], Locking
		1	U		74			*UL	[XL], [JT2], [SUB], Locking
		1	J		74			*UL	[XL], [JT2], [NHS], [SUB], Locking
	1TM711X9AA	1	J, T		74			*UL	[X9], [JT2], Locking
		1	J		74			*UL	[X9], [JT2], [NHS], [SUB], Locking

GRAND CHEROKEE (WK)

SERIES LINE
H = HIGHLINE T = JEEP - 2WD
P = PREMIUM J = JEEP - 4WD
S = SPORT U = JEEP - 4WD (RHD)

BODY
74 = SPORT UTILITY 4-DR
TYPE #4

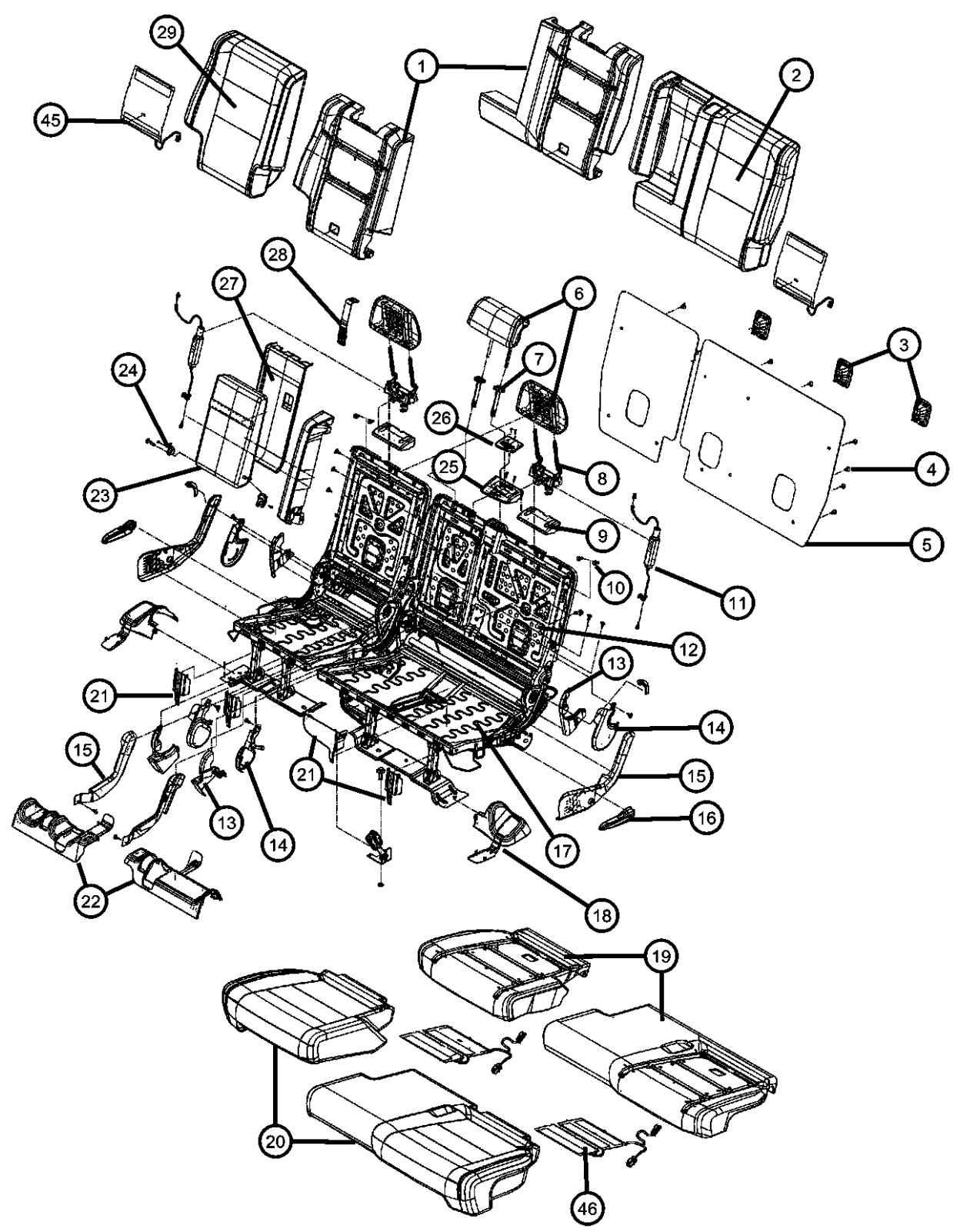
ENGINE
ERB = 3.XL Mid V6 Engine
EZH = 5.7L V8 HEMI MDS
VVT Engine
EXF = 3.0L V6 Turbo Diesel
Engine

TRANSMISSION
DGQ = 5-Spd Automatic 545RFE
Transmission
DGJ = 5-Speed Auto W5A580
Transmission

AR = use ase required - = Non illustrated part

2011 WK

Rear Seat - 60/40 Seat - Trim Code [UL]
Figure 50-609

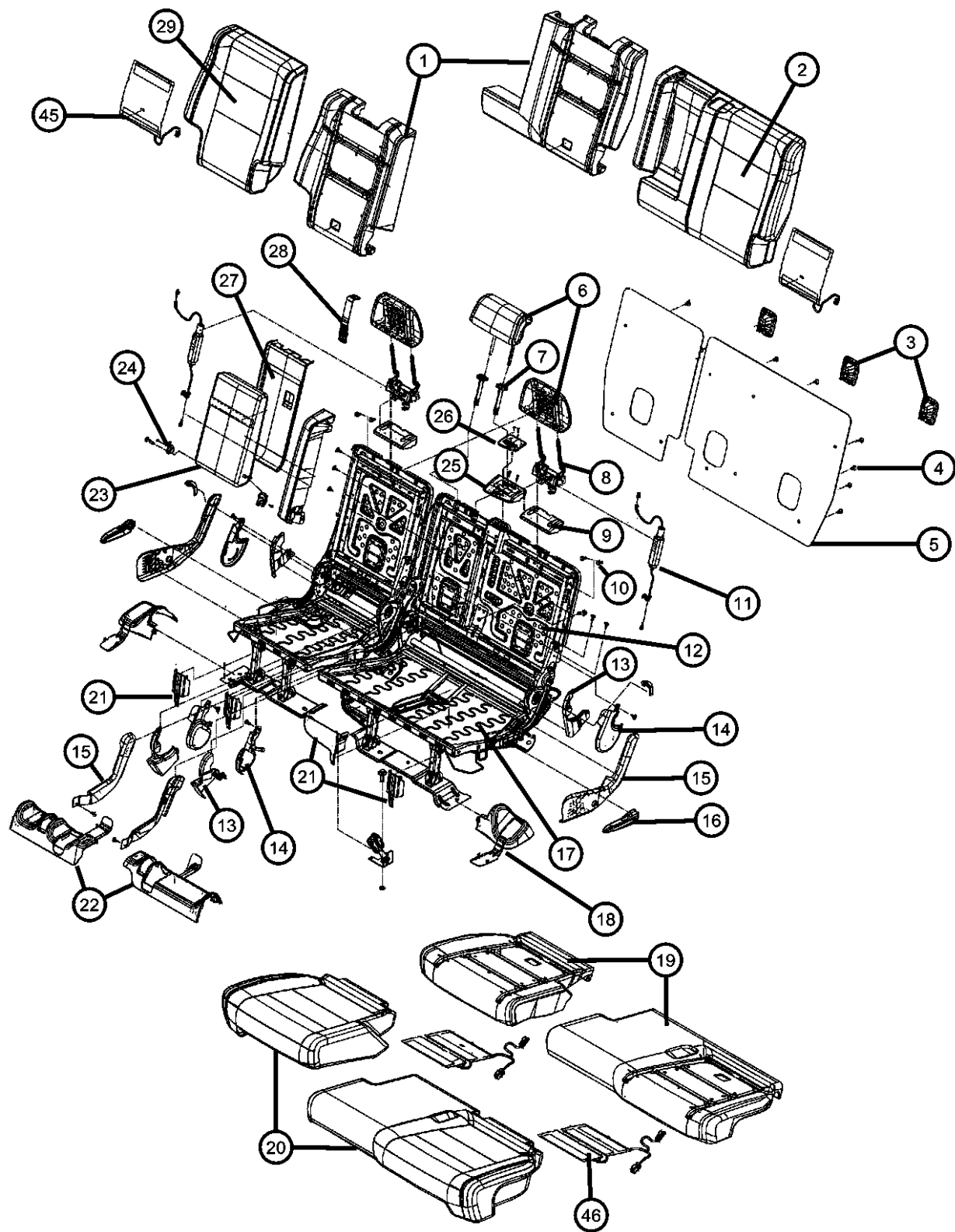


ITEM	PART NUMBER	QTY	LINE	SERIES	BODY	ENGINE	TRANS	TRIM	DESCRIPTION
		1	U		74			*UL	[XL], [JT2], [NHS], [SUB], Locking
		1	J		74			*UL	[X9], [JTE], [JPM], [JPZ], Locking
		1	U		74			*UL	[X9], [JT2], [SUB], Locking
		1	J		74			*UL	[X9], [JT2], [SUB], Locking
		1	J, T		74			*UL	[X9], [JTE], [JPM], Locking
	1TM71BD3AA	1	J, T		74			*UL	[D3], [JTE], [JPM], Locking
		1	U		74			*UL	[X9], [JT2], [NHS], [SUB], Locking
	1TM721L1AA	1	J		74			*UL	[XL], [JT2], [NHS], [SUB], Non-Locking
		1	J		74			*UL	[XL], [JT2], [SUB], Non-Locking
		1	J, T		74			*UL	[XL], [JT2], Non-Locking
		1	U		74			*UL	[XL], [JT2], [NHS], [SUB], Non-Locking
	1TM72BD3AA	1	J, T		74			*UL	[D3], [JTE], [JPM], Non-Locking
		1	U		74			*UL	[XL], [JT2], [SUB], Non-Locking
	1TM72DX9AA	1	J		74			*UL	[X9], [JT2], [NHS], [SUB], Non-Locking
		1	J		74			*UL	[X9], [JT2], [SUB], Non-Locking
		1	J, T		74			*UL	[X9], [JT2], Non-Locking
		1	U		74			*UL	[X9], [JT2], [SUB], Non-Locking
		1	U		74			*UL	[X9], [JT2], [NHS], [SUB], Non-Locking
		1	J		74			*UL	[X9], [JTE], [JPM], [JPZ], Non-Locking
		1	J, T		74			*UL	[X9], [JTE], [JPM], Non-Locking
8									BRACKET, Pivot
	68086211AA	2	J, T		74			*UL	[JT2]
		2	J		74			*UL	[JT2], [NHS], [SUB]
		2	J		74			*UL	[JTE], [JPM], [JPZ]
		2	U		74			*UL	[JT2], [SUB]
		2	U		74			*UL	[JT2], [NHS], [SUB]
		2	J		74			*UL	[JT2], [SUB]
		2	J, T		74			*UL	[JTE], [JPM]
9									SHIELD, Recliner, Headrest Mechanism
	1TM80DX9AA	2	J, T		74			*UL	[XL], [JT2]

GRAND CHEROKEE (WK)
 SERIES LINE BODY ENGINE TRANSMISSION
 H = HIGHLINE T = JEEP - 2WD 74 = SPORT UTILITY 4-DR ERB = 3.XL Mid V6 Engine DGQ = 5-Spd Automatic 545RFE
 P = PREMIUM J = JEEP - 4WD TYPE #4 EZH = 5.7L V8 HEMI MDS Transmission
 S = SPORT U = JEEP - 4WD (RHD) VVT Engine DGJ = 5-Speed Auto W5A580
 EXF = 3.0L V6 Turbo Diesel Engine Transmission

AR = use ase required - = Non illustrated part

Rear Seat - 60/40 Seat - Trim Code [UL]
Figure 50-609



ITEM	PART NUMBER	QTY	LINE	SERIES	BODY	ENGINE	TRANS	TRIM	DESCRIPTION
		2	J		74			*UL	[X9], [JT2], [NHS], [SUB]
		2	J, T		74			*UL	[X9], [JT2]
		2	J		74			*UL	[X9], [JT2], [SUB]
		2	J		74			*UL	[XL], [JT2], [SUB]
		2	J		74			*UL	[XL], [JT2], [NHS], [SUB]
		2	U		74			*UL	[X9], [JT2], [SUB]
		2	U		74			*UL	[XL], [JT2], [SUB]
		2	J		74			*UL	[X9], [JTE], [JPM], [JPZ]
		2	U		74			*UL	[XL], [JT2], [NHS], [SUB]
		2	J, T		74			*UL	[D3], [JTE], [JPM]
		2	U		74			*UL	[X9], [JT2], [NHS], [SUB]
		2	J, T		74			*UL	[X9], [JTE], [JPM]
10	68030757AB	4	J, T		74				BOLT
		4	J		74			*UL	[JT2]
		4	J		74			*UL	[JT2], [NHS], [SUB]
		4	J		74			*UL	[JTE], [JPM], [JPZ]
		4	U		74			*UL	[JT2], [SUB]
		4	U		74			*UL	[JT2], [NHS], [SUB]
		4	J		74			*UL	[JT2], [SUB]
		4	J, T		74			*UL	[JTE], [JPM]
11	68086212AA	2	J		74				CABLE
		2	J		74			*UL	[JT2], [NHS], [SUB]
		2	J		74			*UL	[JT2], [SUB]
		2	J, T		74			*UL	[JT2]
		2	U		74			*UL	[JT2], [SUB]
		2	U		74			*UL	[JT2], [NHS], [SUB]
		2	J		74			*UL	[JTE], [JPM], [JPZ]
		2	J, T		74			*UL	[JTE], [JPM]
12	68085348AA	1	J, T, U		74				FRAME, Rear Seat Back
	68085347AA	1	J, T, U		74				Left
									Right
13	1TM531L1AA	1	J		74			*UL	COVER, Rear Seat Pivot, Lower Bracket
									[XL], [JT2], [NHS], [SUB], Right, Outboard

GRAND CHEROKEE (WK)

SERIES LINE
H = HIGHLINE T = JEEP - 2WD
P = PREMIUM J = JEEP - 4WD
S = SPORT U = JEEP - 4WD (RHD)

BODY
74 = SPORT UTILITY 4-DR
TYPE #4

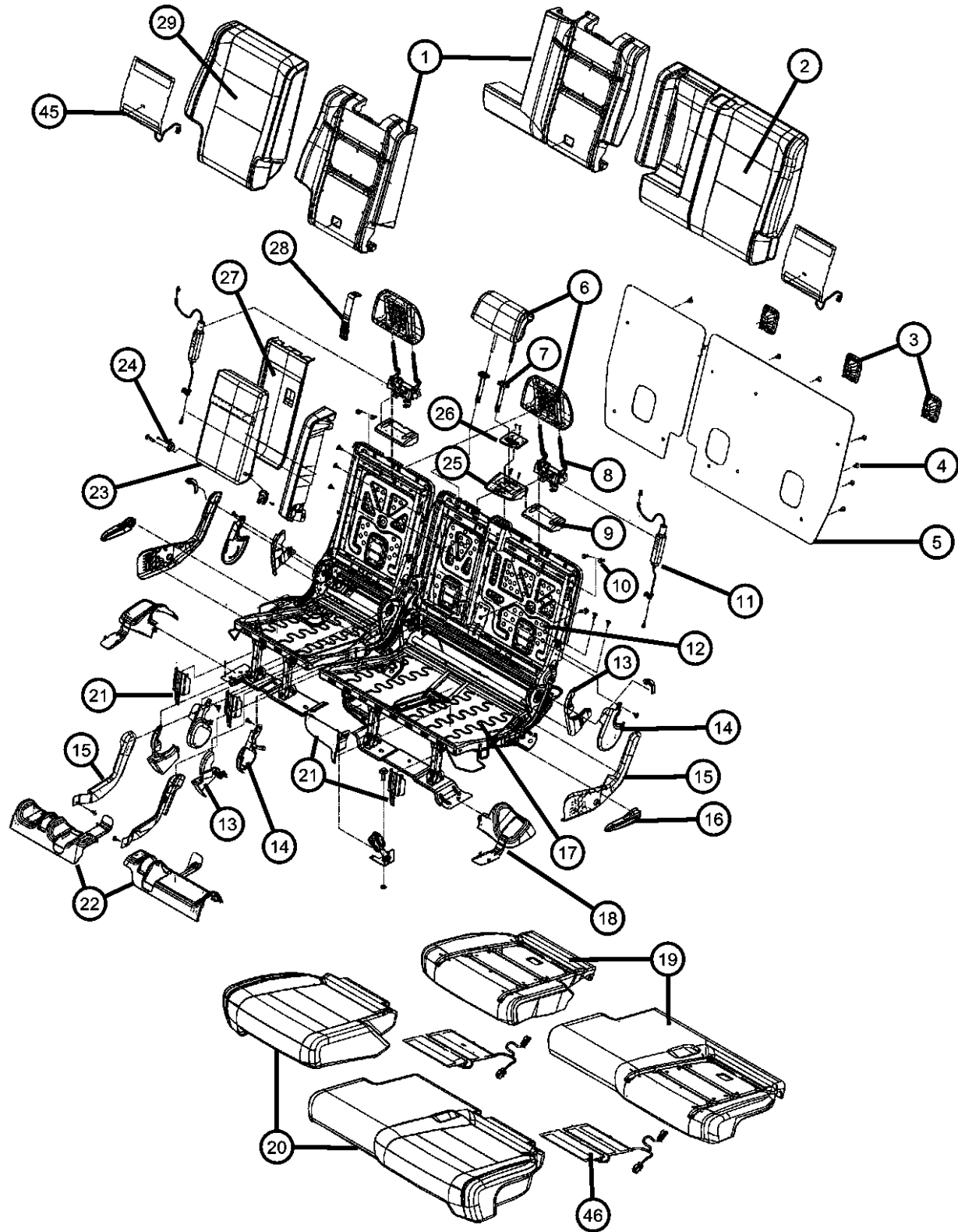
ENGINE
ERB = 3.0L Mid V6 Engine
EZH = 5.7L V8 HEMI MDS
VVT Engine
EXF = 3.0L V6 Turbo Diesel
Engine

TRANSMISSION
DGQ = 5-Speed Automatic 545RFE
Transmission
DGJ = 5-Speed Auto W5A580
Transmission

AR = use ase required - = Non illustrated part

2011 WK

Rear Seat - 60/40 Seat - Trim Code [UL]
Figure 50-609



ITEM	PART NUMBER	QTY	LINE	SERIES	BODY	ENGINE	TRANS	TRIM	DESCRIPTION
		1	J		74			*UL	[XL], [JT2], [SUB], Right, Outboard
		1	J, T		74			*UL	[XL], [JT2], Right, Outboard
		1	U		74			*UL	[XL], [JT2], [NHS], [SUB], Right, Outboard
	1TM53BD3AA	1	J, T		74			*UL	[D3], [JTE], [JPM], Right, Outboard
		1	U		74			*UL	[XL], [JT2], [SUB], Right, Outboard
	1TM53DX9AA	1	J		74			*UL	[X9], [JT2], [NHS], [SUB], Right, Outboard
		1	J		74			*UL	[X9], [JT2], [SUB], Right, Outboard
		1	J, T		74			*UL	[X9], [JT2], Right, Outboard
		1	U		74			*UL	[X9], [JT2], [SUB], Right, Outboard
		1	U		74			*UL	[X9], [JT2], [NHS], [SUB], Right, Outboard
		1	J		74			*UL	[X9], [JTE], [JPM], [JPZ], Right, Outboard
	1TM541L1AA	1	J, T		74			*UL	[XL], [JT2], Right, Inboard
		1	J		74			*UL	[XL], [JT2], [NHS], [SUB], Right, Inboard
		1	J, T		74			*UL	[X9], [JTE], [JPM], Right, Outboard
		1	U		74			*UL	[XL], [JT2], [SUB], Right, Inboard
		1	U		74			*UL	[XL], [JT2], [NHS], [SUB], Right, Inboard
		1	J		74			*UL	[XL], [JT2], [SUB], Right, Inboard
	1TM54DX9AA	1	J, T		74			*UL	[X9], [JT2], Right, Inboard
		1	J		74			*UL	[X9], [JT2], [NHS], [SUB], Right, Inboard
		1	J, T		74			*UL	[D3], [JTE], [JPM], Right, Inboard
		1	J		74			*UL	[X9], [JTE], [JPM], [JPZ], Right, Inboard
		1	U		74			*UL	[X9], [JT2], [SUB], Right, Inboard
		1	J		74			*UL	[X9], [JT2], [SUB], Right, Inboard
		1	J, T		74			*UL	[X9], [JTE], [JPM], Right, Inboard
	1TM551L1AA	1	J, T		74			*UL	[XL], [JT2], Left, Outboard
		1	U		74			*UL	[X9], [JT2], [NHS], [SUB], Right, Inboard
		1	J		74			*UL	[XL], [JT2], [SUB], Left, Outboard

GRAND CHEROKEE (WK)

SERIES LINE
H = HIGHLINE T = JEEP - 2WD
P = PREMIUM J = JEEP - 4WD
S = SPORT U = JEEP - 4WD (RHD)

BODY
74 = SPORT UTILITY 4-DR TYPE #4

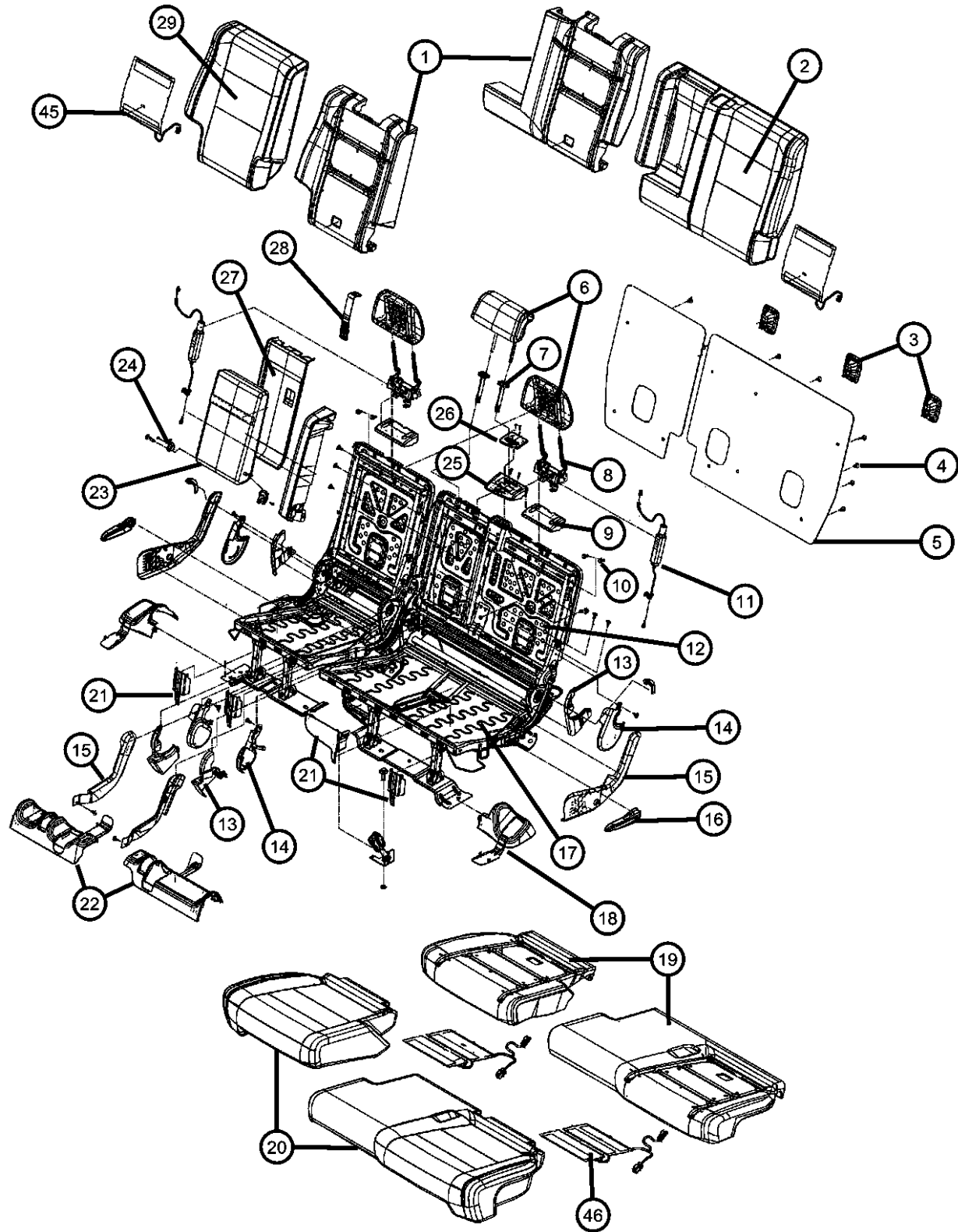
ENGINE
ERB = 3.XL Mid V6 Engine
EZH = 5.7L V8 HEMI MDS VVT Engine
EXF = 3.0L V6 Turbo Diesel Engine

TRANSMISSION
DGQ = 5-Speed Automatic 545RFE Transmission
DGJ = 5-Speed Auto W5A580 Transmission

AR = use ase required - = Non illustrated part

2011 WK

Rear Seat - 60/40 Seat - Trim Code [UL]
Figure 50-609



ITEM	PART NUMBER	QTY	LINE	SERIES	BODY	ENGINE	TRANS	TRIM	DESCRIPTION
		1	U		74			*UL	[XL], [JT2], [SUB], Left, Outboard
		1	J		74			*UL	[XL], [JT2], [NHS], [SUB], Left, Outboard
	1TM55BD3AA	1	J, T		74			*UL	[D3], [JTE], [JPM], Left, Outboard
	1TM55DX9AA	1	J, T		74			*UL	[X9], [JT2], Left, Outboard
		1	U		74			*UL	[XL], [JT2], [NHS], [SUB], Left, Outboard
		1	J		74			*UL	[X9], [JT2], [SUB], Left, Outboard
		1	J		74			*UL	[X9], [JTE], [JPM], [JPZ], Left, Outboard
		1	J		74			*UL	[X9], [JT2], [NHS], [SUB], Left, Outboard
		1	U		74			*UL	[X9], [JT2], [NHS], [SUB], Left, Outboard
		1	J, T		74			*UL	[X9], [JTE], [JPM], Left, Outboard
	1TM561L1AA	1	U		74			*UL	[X9], [JT2], [SUB], Left, Outboard
		1	J		74			*UL	[XL], [JT2], [NHS], [SUB], Left, Inboard
		1	J, T		74			*UL	[XL], [JT2], Left, Inboard
		1	U		74			*UL	[XL], [JT2], [NHS], [SUB], Left, Inboard
	1TM56BD3AA	1	J, T		74			*UL	[D3], [JTE], [JPM], Left, Inboard
		1	U		74			*UL	[XL], [JT2], [SUB], Left, Inboard
	1TM56DX9AA	1	J		74			*UL	[X9], [JT2], [NHS], [SUB], Left, Inboard
		1	J		74			*UL	[X9], [JT2], [SUB], Left, Inboard
		1	J, T		74			*UL	[X9], [JT2], Left, Inboard
		1	U		74			*UL	[X9], [JT2], [SUB], Left, Inboard
		1	U		74			*UL	[X9], [JT2], [NHS], [SUB], Left, Inboard
		1	J		74			*UL	[X9], [JTE], [JPM], [JPZ], Left, Inboard
		1	J, T		74			*UL	[X9], [JTE], [JPM], Left, Inboard
14	1TM671L1AA	1	J		74			*UL	SHIELD, Recliner, Upper Pivot [XL], [JT2], [NHS], [SUB], Right, Outboard
		1	J		74			*UL	[XL], [JT2], [SUB], Right, Outboard
		1	J, T		74			*UL	[XL], [JT2], Right, Outboard

GRAND CHEROKEE (WK)

SERIES LINE
H = HIGHLINE T = JEEP - 2WD
P = PREMIUM J = JEEP - 4WD
S = SPORT U = JEEP - 4WD (RHD)

BODY
74 = SPORT UTILITY 4-DR
TYPE #4

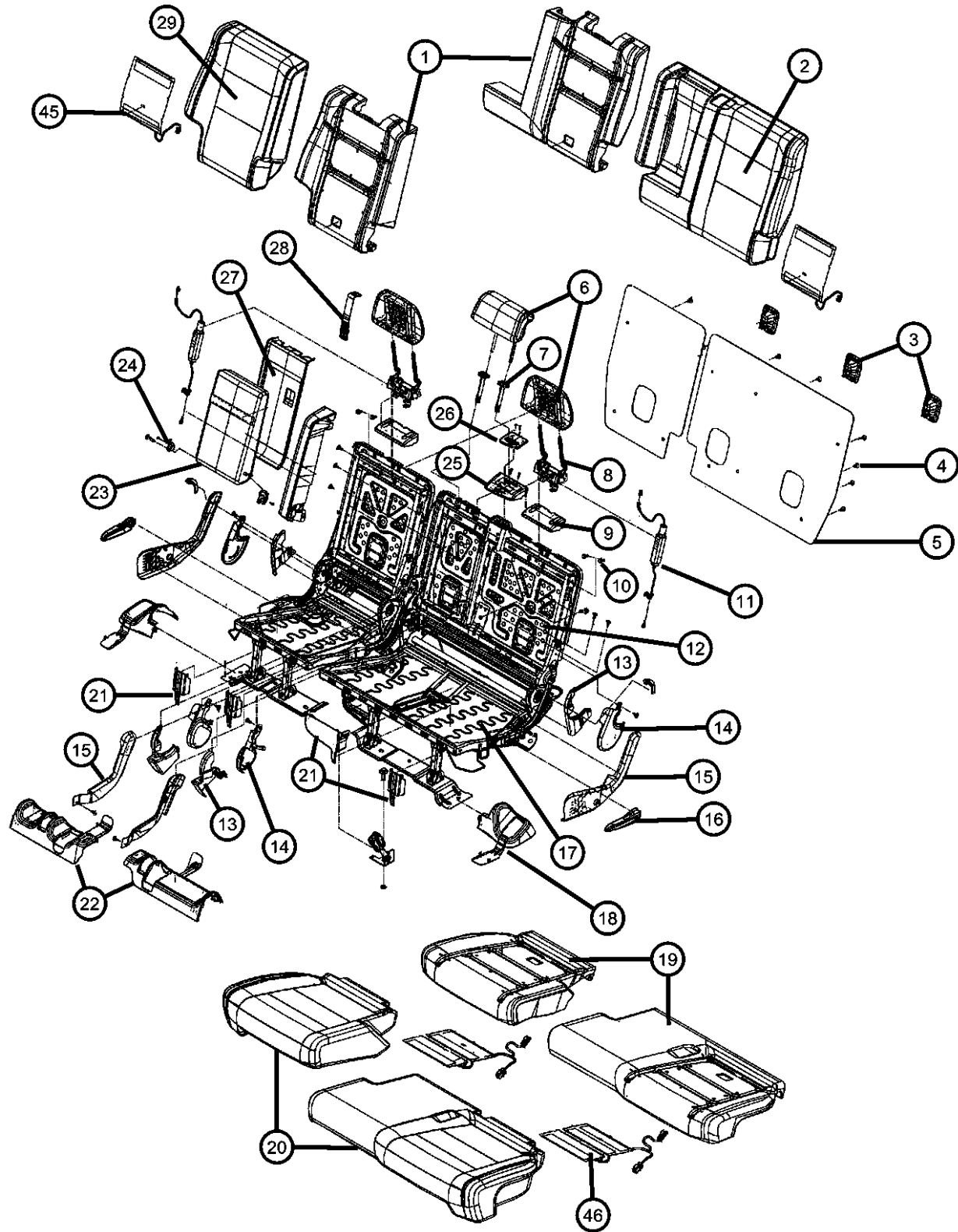
ENGINE
ERB = 3.0L V6 Engine
EZH = 5.7L V8 HEMI MDS
VVT Engine
EXF = 3.0L V6 Turbo Diesel
Engine

TRANSMISSION
DGQ = 5-Speed Automatic 545RFE
Transmission
DGJ = 5-Speed Auto W5A580
Transmission

AR = use ase required - = Non illustrated part

2011 WK

Rear Seat - 60/40 Seat - Trim Code [UL]
Figure 50-609



ITEM	PART NUMBER	QTY	LINE	SERIES	BODY	ENGINE	TRANS	TRIM	DESCRIPTION
		1	U		74			*UL	[XL], [JT2], [NHS], [SUB], Right, Outboard
	1TM67BD3AA	1	J, T		74			*UL	[D3], [JTE], [JPM], Right, Outboard
		1	U		74			*UL	[XL], [JT2], [SUB], Right, Outboard
	1TM67DX9AA	1	J		74			*UL	[X9], [JT2], [NHS], [SUB], Right, Outboard
		1	J		74			*UL	[X9], [JT2], [SUB], Right, Outboard
		1	J, T		74			*UL	[X9], [JT2], Right, Outboard
		1	U		74			*UL	[X9], [JT2], [SUB], Right, Outboard
		1	U		74			*UL	[X9], [JT2], [NHS], [SUB], Right, Outboard
		1	J		74			*UL	[X9], [JTE], [JPM], [JPZ], Right, Outboard
	1TM681L1AA	1	J, T		74			*UL	[XL], [JT2], Right, Inboard
		1	J		74			*UL	[XL], [JT2], [NHS], [SUB], Right, Inboard
		1	J, T		74			*UL	[X9], [JTE], [JPM], Right, Outboard
		1	U		74			*UL	[XL], [JT2], [SUB], Right, Inboard
		1	U		74			*UL	[XL], [JT2], [NHS], [SUB], Right, Inboard
		1	J		74			*UL	[XL], [JT2], [SUB], Right, Inboard
	1TM68DX9AA	1	J, T		74			*UL	[X9], [JT2], Right, Inboard
		1	J		74			*UL	[X9], [JT2], [NHS], [SUB], Right, Inboard
	1TM68BD3AA	1	J, T		74			*UL	[D3], [JTE], [JPM], Right, Inboard
		1	J		74			*UL	[X9], [JTE], [JPM], [JPZ], Right, Inboard
		1	U		74			*UL	[X9], [JT2], [SUB], Right, Inboard
		1	J		74			*UL	[X9], [JT2], [SUB], Right, Inboard
		1	J, T		74			*UL	[X9], [JTE], [JPM], Right, Inboard
	1TM691L1AA	1	J, T		74			*UL	[XL], [JT2], Left, Outboard
		1	U		74			*UL	[X9], [JT2], [NHS], [SUB], Right, Inboard
		1	U		74			*UL	[XL], [JT2], [SUB], Left, Outboard
		1	U		74			*UL	[XL], [JT2], [NHS], [SUB], Left, Outboard
		1	J		74			*UL	[XL], [JT2], [NHS], [SUB], Left, Outboard

GRAND CHEROKEE (WK)

SERIES LINE
H = HIGHLINE T = JEEP - 2WD
P = PREMIUM J = JEEP - 4WD
S = SPORT U = JEEP - 4WD (RHD)

BODY
74 = SPORT UTILITY 4-DR TYPE #4

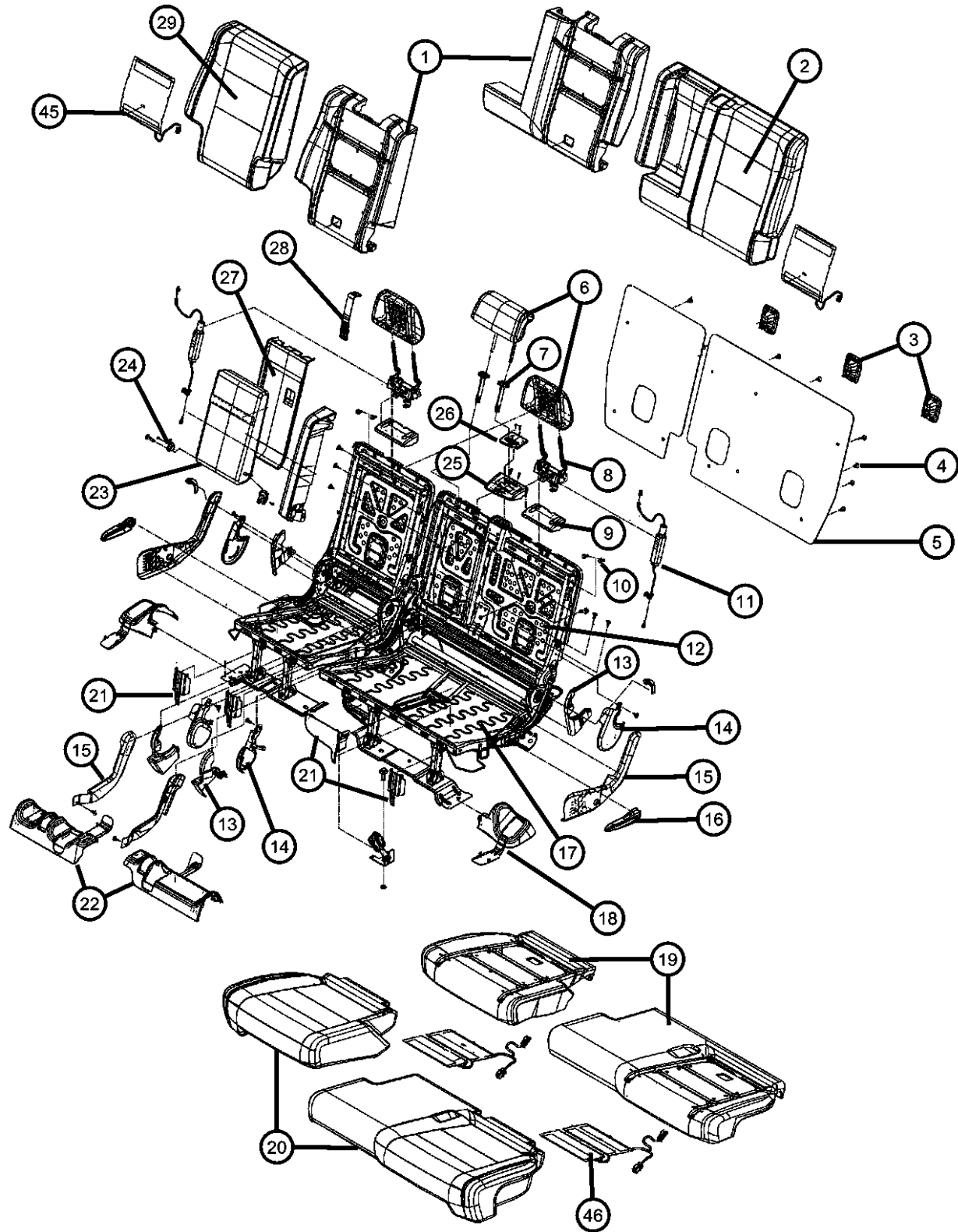
ENGINE
ERB = 3.XL Mid V6 Engine
EZH = 5.7L V8 HEMI MDS VVT Engine
EXF = 3.0L V6 Turbo Diesel Engine

TRANSMISSION
DGQ = 5-Speed Automatic 545RFE Transmission
DGJ = 5-Speed Auto W5A580 Transmission

AR = use ase required - = Non illustrated part

2011 WK

Rear Seat - 60/40 Seat - Trim Code [UL]
Figure 50-609



ITEM	PART NUMBER	QTY	LINE	SERIES	BODY	ENGINE	TRANS	TRIM	DESCRIPTION
	1TM69DX9AA	1	J, T		74			*UL	[X9], [JT2], Left, Outboard
		1	J		74			*UL	[X9], [JT2], [NHS], [SUB], Left, Outboard
	1TM69BD3AA	1	J, T		74			*UL	[D3], [JTE], [JPM], Left, Outboard
		1	U		74			*UL	[X9], [JT2], [SUB], Left, Outboard
		1	U		74			*UL	[X9], [JT2], [NHS], [SUB], Left, Outboard
		1	J		74			*UL	[X9], [JTE], [JPM], [JPZ], Left, Outboard
	1TM701L1AA	1	J		74			*UL	[XL], [JT2], [NHS], [SUB], Left, Inboard
		1	J		74			*UL	[XL], [JT2], [SUB], Left, Inboard
		1	J, T		74			*UL	[X9], [JTE], [JPM], Left, Outboard
		1	U		74			*UL	[XL], [JT2], [NHS], [SUB], Left, Inboard
	1TM70BD3AA	1	J, T		74			*UL	[D3], [JTE], [JPM], Left, Inboard
		1	U		74			*UL	[XL], [JT2], [SUB], Left, Inboard
	1TM70DX9AA	1	J		74			*UL	[X9], [JT2], [SUB], Left, Inboard
		1	J		74			*UL	[X9], [JTE], [JPM], [JPZ], Left, Inboard
		1	J		74			*UL	[X9], [JT2], [NHS], [SUB], Left, Inboard
		1	U		74			*UL	[X9], [JT2], [NHS], [SUB], Left, Inboard
		1	J, T		74			*UL	[X9], [JTE], [JPM], Left, Inboard
		1	U		74			*UL	[X9], [JT2], [SUB], Left, Inboard
15									SHIELD, Recliner, Drivelink
	1TM631L1AA	1	J, T		74			*UL	[XL], [JT2], Right, Outboard
		1	J		74			*UL	[XL], [JT2], [SUB], Right, Outboard
		1	U		74			*UL	[XL], [JT2], [SUB], Right, Outboard
		1	J		74			*UL	[XL], [JT2], [NHS], [SUB], Right, Outboard
	1TM63BD3AA	1	J, T		74			*UL	[D3], [JTE], [JPM], Right, Outboard
	1TM63DX9AA	1	J, T		74			*UL	[X9], [JT2], Right, Outboard
		1	U		74			*UL	[XL], [JT2], [NHS], [SUB], Right, Outboard
		1	J		74			*UL	[X9], [JT2], [SUB], Right, Outboard

GRAND CHEROKEE (WK)

SERIES LINE
H = HIGHLINE T = JEEP - 2WD
P = PREMIUM J = JEEP - 4WD
S = SPORT U = JEEP - 4WD (RHD)

BODY
74 = SPORT UTILITY 4-DR
TYPE #4

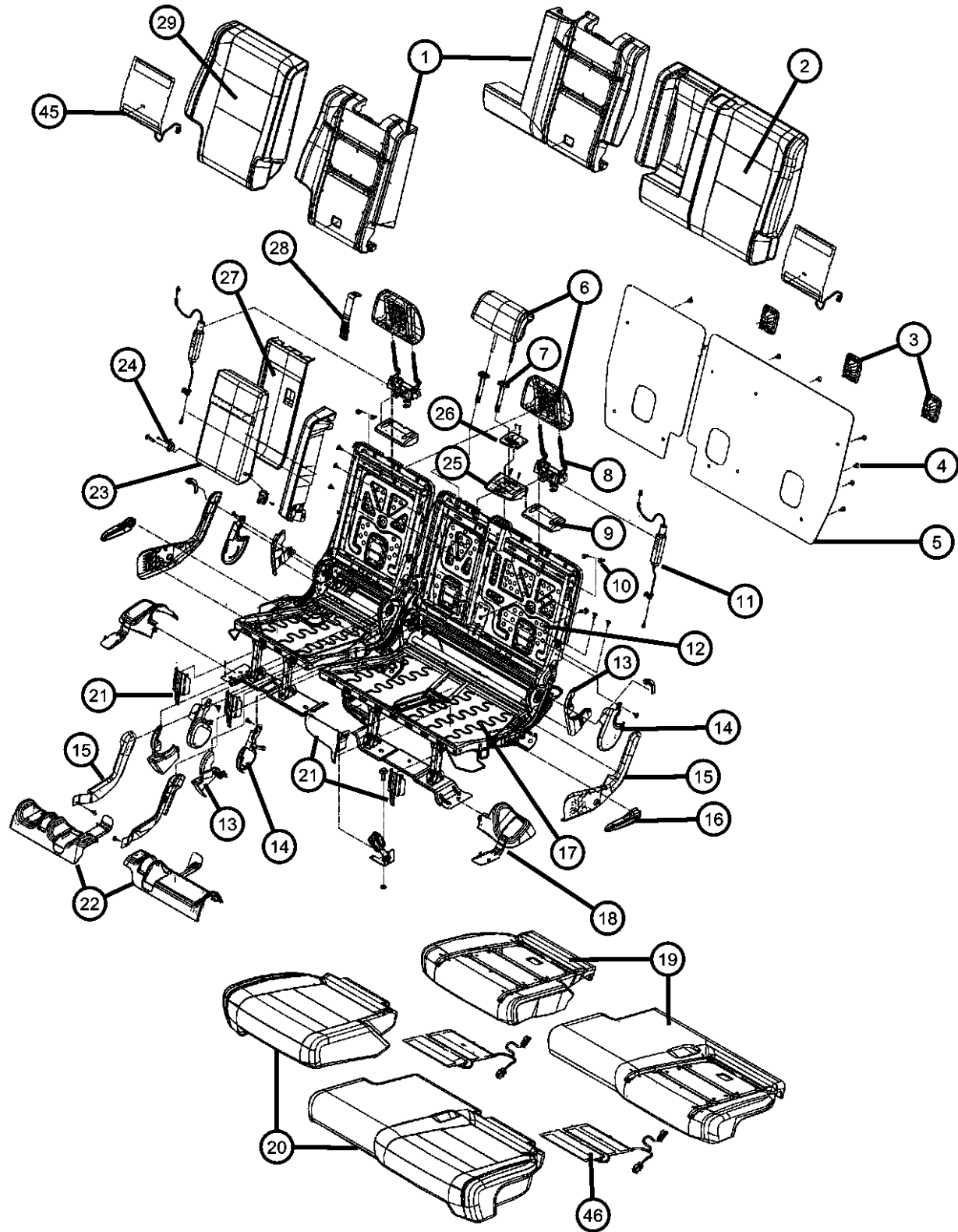
ENGINE
ERB = 3.XL Mid V6 Engine
EZH = 5.7L V8 HEMI MDS
VVT Engine
EXF = 3.0L V6 Turbo Diesel
Engine

TRANSMISSION
DGQ = 5-Spd Automatic 545RFE
Transmission
DGJ = 5-Speed Auto W5A580
Transmission

AR = use ase required - = Non illustrated part

2011 WK

Rear Seat - 60/40 Seat - Trim Code [UL]
Figure 50-609



ITEM	PART NUMBER	QTY	LINE	SERIES	BODY	ENGINE	TRANS	TRIM	DESCRIPTION
		1	J		74			*UL	[X9], [JTE], [JPM], [JPZ], Right, Outboard
		1	J		74			*UL	[X9], [JT2], [NHS], [SUB], Right, Outboard
		1	U		74			*UL	[X9], [JT2], [NHS], [SUB], Right, Outboard
		1	J, T		74			*UL	[X9], [JTE], [JPM], Right, Outboard
		1	U		74			*UL	[X9], [JT2], [SUB], Right, Outboard
	1TM641L1AA	1	J		74			*UL	[XL], [JT2], [NHS], [SUB], Right, Inboard
		1	J		74			*UL	[XL], [JT2], [SUB], Right, Inboard
		1	J, T		74			*UL	[XL], [JT2], Right, Inboard
		1	U		74			*UL	[XL], [JT2], [NHS], [SUB], Right, Inboard
	1TM64BD3AA	1	J, T		74			*UL	[D3], [JTE], [JPM], Right, Inboard
		1	U		74			*UL	[XL], [JT2], [SUB], Right, Inboard
	1TM64DX9AA	1	J		74			*UL	[X9], [JT2], [NHS], [SUB], Right, Inboard
		1	J		74			*UL	[X9], [JT2], [SUB], Right, Inboard
		1	J, T		74			*UL	[X9], [JT2], Right, Inboard
		1	U		74			*UL	[X9], [JT2], [SUB], Right, Inboard
		1	U		74			*UL	[X9], [JT2], [NHS], [SUB], Right, Inboard
		1	J		74			*UL	[X9], [JTE], [JPM], [JPZ], Right, Inboard
	1TM651L1AA	1	J, T		74			*UL	[XL], [JT2], Left, Outboard
		1	J		74			*UL	[XL], [JT2], [NHS], [SUB], Left, Outboard
		1	J, T		74			*UL	[X9], [JTE], [JPM], Right, Inboard
		1	U		74			*UL	[XL], [JT2], [SUB], Left, Outboard
		1	U		74			*UL	[XL], [JT2], [NHS], [SUB], Left, Outboard
		1	J		74			*UL	[XL], [JT2], [SUB], Left, Outboard
	1TM65DX9AA	1	J, T		74			*UL	[X9], [JT2], Left, Outboard
		1	J		74			*UL	[X9], [JT2], [NHS], [SUB], Left, Outboard
	1TM65BD3AA	1	J, T		74			*UL	[D3], [JTE], [JPM], Left, Outboard
		1	J		74			*UL	[X9], [JTE], [JPM], [JPZ], Left, Outboard
		1	U		74			*UL	[X9], [JT2], [SUB], Left, Outboard

GRAND CHEROKEE (WK)

SERIES LINE
H = HIGHLINE T = JEEP - 2WD
P = PREMIUM J = JEEP - 4WD
S = SPORT U = JEEP - 4WD (RHD)

BODY
74 = SPORT UTILITY 4-DR TYPE #4

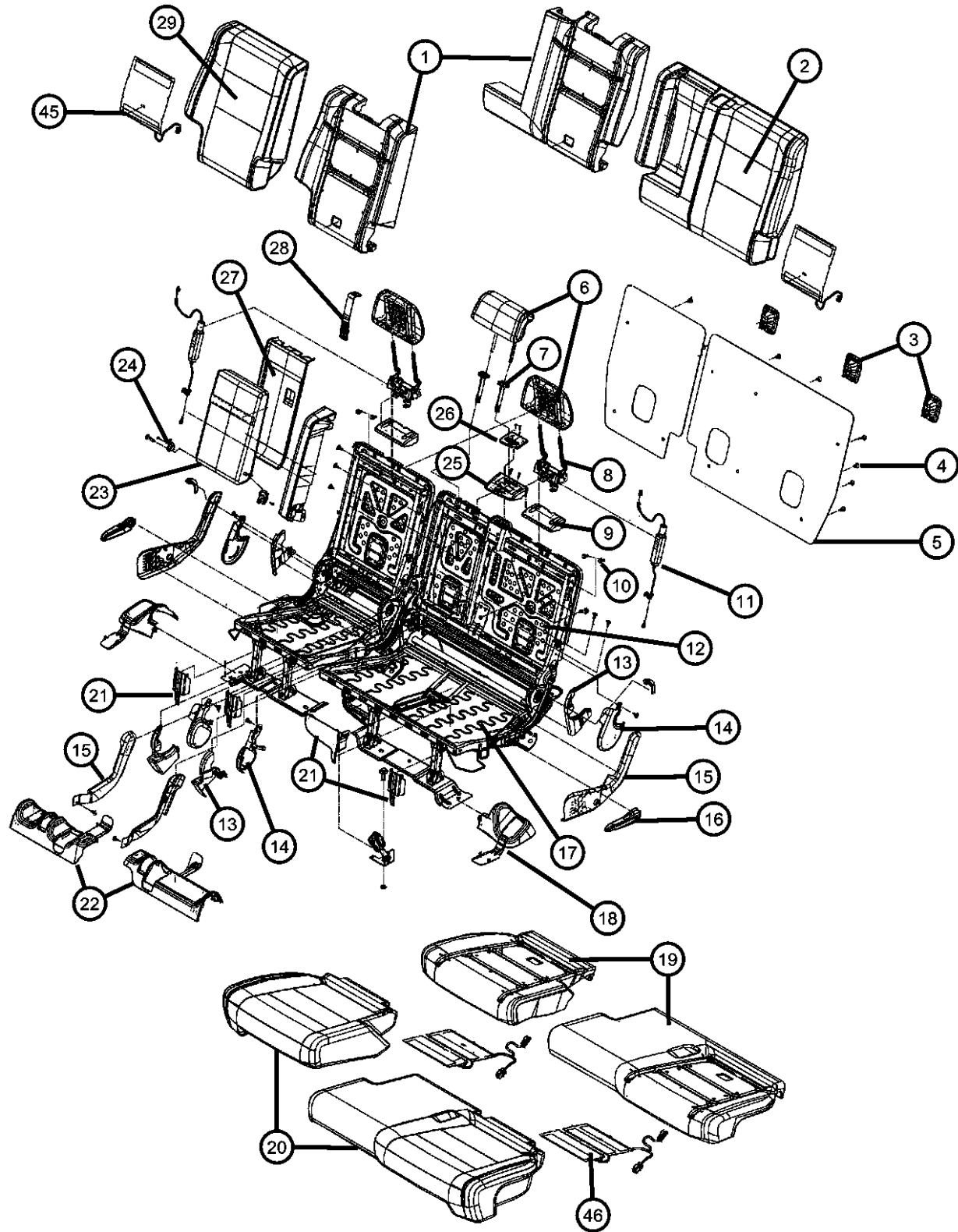
ENGINE
ERB = 3.0L Mid V6 Engine
EZH = 5.7L V8 HEMI MDS VVT Engine
EXF = 3.0L V6 Turbo Diesel Engine

TRANSMISSION
DGQ = 5-Speed Automatic 545RFE Transmission
DGJ = 5-Speed Auto W5A580 Transmission

AR = use ase required - = Non illustrated part

2011 WK

Rear Seat - 60/40 Seat - Trim Code [UL]
Figure 50-609



ITEM	PART NUMBER	QTY	LINE	SERIES	BODY	ENGINE	TRANS	TRIM	DESCRIPTION
		1	J		74			*UL	[X9], [JT2], [SUB], Left, Outboard
		1	J, T		74			*UL	[X9], [JTE], [JPM], Left, Outboard
	1TM661L1AA	1	J, T		74			*UL	[XL], [JT2], Left, Inboard
		1	U		74			*UL	[X9], [JT2], [NHS], [SUB], Left, Outboard
		1	J		74			*UL	[XL], [JT2], [SUB], Left, Inboard
		1	U		74			*UL	[XL], [JT2], [SUB], Left, Inboard
	1TM66BD3AA	1	J, T		74			*UL	[XL], [JT2], [NHS], [SUB], Left, Inboard
	1TM66DX9AA	1	J, T		74			*UL	[D3], [JTE], [JPM], Left, Inboard
		1	U		74			*UL	[X9], [JT2], Left, Inboard
		1	J		74			*UL	[XL], [JT2], [NHS], [SUB], Left, Inboard
		1	J		74			*UL	[X9], [JT2], [SUB], Left, Inboard
		1	J		74			*UL	[X9], [JTE], [JPM], [JPZ], Left, Inboard
		1	J		74			*UL	[X9], [JT2], [NHS], [SUB], Left, Inboard
		1	U		74			*UL	[X9], [JT2], [NHS], [SUB], Left, Inboard
		1	J, T		74			*UL	[X9], [JTE], [JPM], Left, Inboard
		1	U		74			*UL	[X9], [JT2], [SUB], Left, Inboard
16									HANDLE, Recliner
	1TM571L1AA	1	J		74			*UL	[XL], [JT2], [NHS], [SUB], Left
		1	J		74			*UL	[XL], [JT2], [SUB], Left
		1	J, T		74			*UL	[XL], [JT2], Left
		1	U		74			*UL	[XL], [JT2], [NHS], [SUB], Left
	1TM57BD3AA	1	J, T		74			*UL	[D3], [JTE], [JPM], Left
		1	U		74			*UL	[XL], [JT2], [SUB], Left
	1TM57DX9AA	1	J		74			*UL	[X9], [JT2], [NHS], [SUB], Left
		1	J		74			*UL	[X9], [JT2], [SUB], Left
		1	J, T		74			*UL	[X9], [JT2], Left
		1	U		74			*UL	[X9], [JT2], [SUB], Left
		1	J		74			*UL	[X9], [JT2], [NHS], [SUB], Left
	1TM581L1AA	1	J, T		74			*UL	[X9], [JTE], [JPM], [JPZ], Left
		1	J		74			*UL	[XL], [JT2], Right
		1	J		74			*UL	[XL], [JT2], [NHS], [SUB], Right

GRAND CHEROKEE (WK)

SERIES LINE
H = HIGHLINE T = JEEP - 2WD
P = PREMIUM J = JEEP - 4WD
S = SPORT U = JEEP - 4WD (RHD)

BODY
74 = SPORT UTILITY 4-DR
TYPE #4

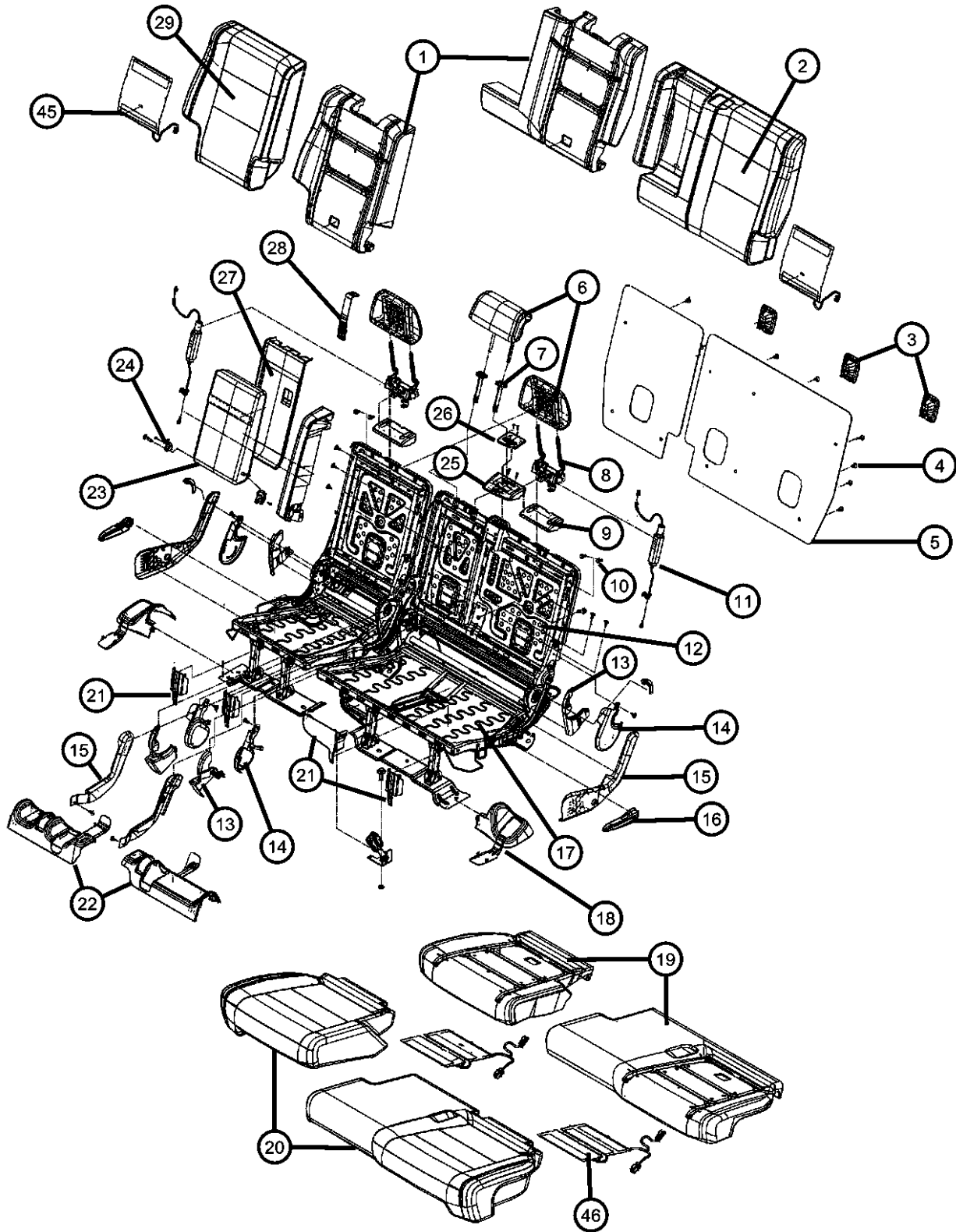
ENGINE
ERB = 3.0L Mid V6 Engine
EZH = 5.7L V8 HEMI MDS
VVT Engine
EXF = 3.0L V6 Turbo Diesel
Engine

TRANSMISSION
DGQ = 5-Spd Automatic 545RFE
Transmission
DGJ = 5-Speed Auto W5A580
Transmission

AR = use ase required - = Non illustrated part

2011 WK

Rear Seat - 60/40 Seat - Trim Code [UL]
Figure 50-609



ITEM	PART NUMBER	QTY	LINE	SERIES	BODY	ENGINE	TRANS	TRIM	DESCRIPTION
		1	J, T		74			*UL	[X9], [JTE], [JPM], Left
		1	U		74			*UL	[XL], [JT2], [SUB], Right
		1	U		74			*UL	[XL], [JT2], [NHS], [SUB], Right
		1	J		74			*UL	[XL], [JT2], [SUB], Right
	1TM58DX9AA	1	J, T		74			*UL	[X9], [JT2], Right
		1	J		74			*UL	[X9], [JT2], [NHS], [SUB], Right
	1TM58BD3AA	1	J, T		74			*UL	[D3], [JTE], [JPM], Right
		1	J		74			*UL	[X9], [JTE], [JPM], [JPZ], Right
		1	U		74			*UL	[X9], [JT2], [SUB], Right
		1	J		74			*UL	[X9], [JT2], [SUB], Right
		1	J, T		74			*UL	[X9], [JTE], [JPM], Right
		1	U		74			*UL	[X9], [JT2], [NHS], [SUB], Right
17									FRAME, Seat cushion
	68085349AA	1	J, T, U		74				Right
	68085350AA	1	J, T, U		74				Left
18									COVER, Seat Base, End Cap
	1TM861L1AA	1	J		74			*UL	[XL], [JT2], [NHS], [SUB], Right
		1	J		74			*UL	[XL], [JT2], [SUB], Right
		1	J, T		74			*UL	[XL], [JT2], Right
		1	U		74			*UL	[XL], [JT2], [NHS], [SUB], Right
	1TM86BD3AA	1	J, T		74			*UL	[D3], [JTE], [JPM], Right
	1TM86DX9AA	1	U		74			*UL	[X9], [JT2], [SUB], Right
		1	U		74			*UL	[X9], [JT2], [NHS], [SUB], Right
		1	J		74			*UL	[X9], [JTE], [JPM], [JPZ], Right
	1TM881L1AA	1	J, T		74			*UL	[XL], [JT2], Left
		1	J		74			*UL	[XL], [JT2], [NHS], [SUB], Left
		1	J, T		74			*UL	[X9], [JTE], [JPM], Right
		1	U		74			*UL	[XL], [JT2], [SUB], Left
		1	U		74			*UL	[XL], [JT2], [SUB], Right
		1	J		74			*UL	[X9], [JT2], [NHS], [SUB], Right
		1	J		74			*UL	[X9], [JT2], [SUB], Right
		1	J, T		74			*UL	[X9], [JT2], Right
	1TM88DX9AA	1	U		74			*UL	[X9], [JT2], [SUB], Left
		1	J		74			*UL	[X9], [JT2], [SUB], Left

GRAND CHEROKEE (WK)

SERIES LINE
H = HIGHLINE T = JEEP - 2WD
P = PREMIUM J = JEEP - 4WD
S = SPORT U = JEEP - 4WD (RHD)

BODY
74 = SPORT UTILITY 4-DR
TYPE #4

ENGINE
ERB = 3.0L Mid V6 Engine
EZH = 5.7L V8 HEMI MDS
VVT Engine
EXF = 3.0L V6 Turbo Diesel
Engine

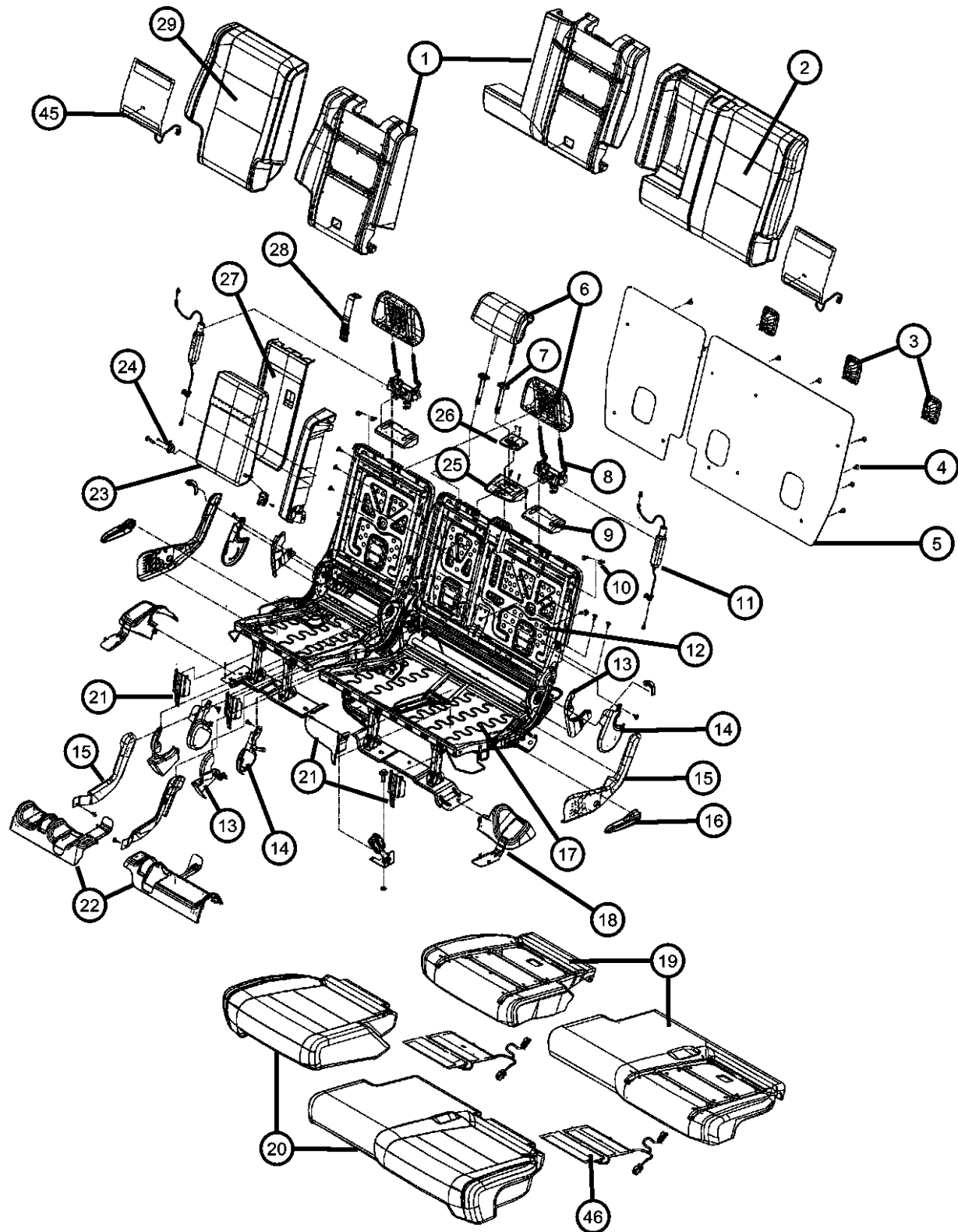
TRANSMISSION
DGQ = 5-Speed Automatic 545RFE
Transmission
DGJ = 5-Speed Auto W5A580
Transmission

AR = use ase required - = Non illustrated part

2011 WK

Rear Seat - 60/40 Seat - Trim Code [UL]
Figure 50-609

ITEM	PART NUMBER	QTY	LINE	SERIES	BODY	ENGINE	TRANS	TRIM	DESCRIPTION	
19	68086225AA	1	J, T		74			*UL	[X9], [JTE], [JPM], Left	
		1	U		74			*UL	[X9], [JT2], [NHS], [SUB], Left	
		1	U		74			*UL	[XL], [JT2], [NHS], [SUB], Left	
		1	J		74			*UL	[XL], [JT2], [SUB], Left	
		1	J, T		74			*UL	[X9], [JT2], Left	
		1	J		74			*UL	[X9], [JT2], [NHS], [SUB], Left	
		1	J, T		74			*UL	[D3], [JTE], [JPM], Left	
		1	J		74			*UL	[X9], [JTE], [JPM], [JPZ], Left	
										FOAM, Seat Cushion
		1	J, T		74				*UL	[JT2], Right
		1	U		74				*UL	[JT2], [SUB], Right
		1	U		74				*UL	[JT2], [NHS], [SUB], Right
		1	J		74				*UL	[JT2], [SUB], Right
		1	J		74				*UL	[JT2], [NHS], [SUB], Right
		1	J		74				*UL	[JTE], [JPM], [JPZ], Right
		1	J, T		74				*UL	[JTE], [JPM], Left
		1	J		74				*UL	[JT2], [NHS], [SUB], Left
		1	J		74				*UL	[JTE], [JPM], [JPZ], Left
		20	1TN601L1AA	1	J, T		74			*UL
1	J, T				74			*UL	[JT2], Left	
1	U				74			*UL	[JT2], [SUB], Left	
1	U				74			*UL	[JT2], [NHS], [SUB], Left	
1	J				74			*UL	[JT2], [SUB], Left	
										COVER, Rear Seat Cushion
1	J, T				74			*UL	[XL], [JT2], Right	
1	J				74			*UL	[XL], [JT2], [NHS], [SUB], Right	
1	U				74			*UL	[XL], [JT2], [SUB], Right	
1	U				74			*UL	[X9], [JT2], [SUB], Right	
20	1TN60DX9AA	1	J		74			*UL	[X9], [JT2], [SUB], Right	
		1	J, T		74			*UL	[X9], [JTE], [JPM], Right	
		1	U		74			*UL	[XL], [JT2], [NHS], [SUB], Right	
		1	J		74			*UL	[XL], [JT2], [SUB], Right	
		1	J, T		74			*UL	[X9], [JT2], Right	
		1	J		74			*UL	[X9], [JT2], [NHS], [SUB], Right	
		1	J		74			*UL	[X9], [JT2], [SUB], Right	



GRAND CHEROKEE (WK)

SERIES LINE
H = HIGHLINE T = JEEP - 2WD
P = PREMIUM J = JEEP - 4WD
S = SPORT U = JEEP - 4WD (RHD)

BODY
74 = SPORT UTILITY 4-DR
TYPE #4

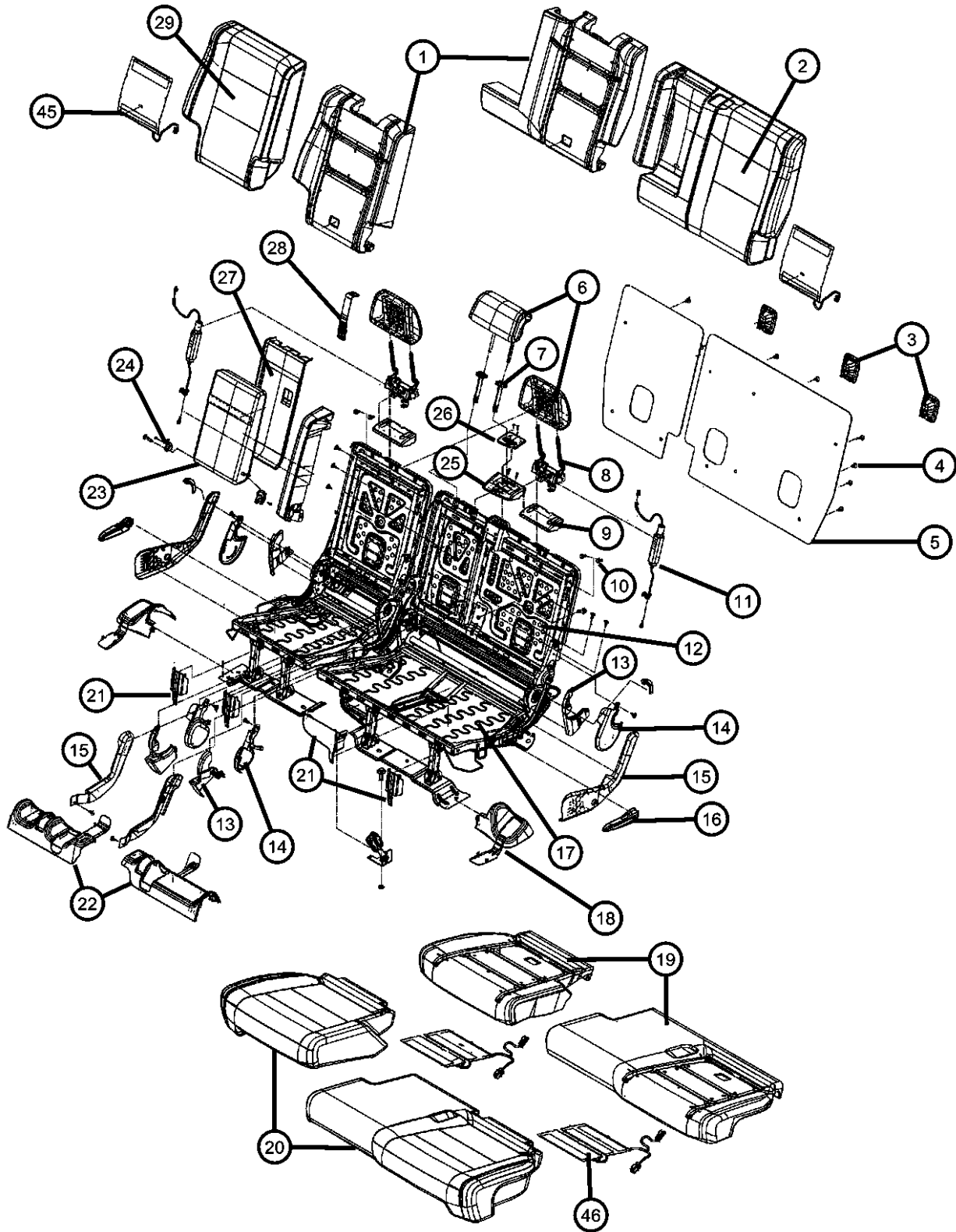
ENGINE
ERB = 3.0L Mid V6 Engine
EZH = 5.7L V8 HEMI MDS
VVT Engine
EXF = 3.0L V6 Turbo Diesel
Engine

TRANSMISSION
DGQ = 5-Speed Automatic 545RFE
Transmission
DGJ = 5-Speed Auto W5A580
Transmission

AR = use ase required - = Non illustrated part

2011 WK

Rear Seat - 60/40 Seat - Trim Code [UL]
Figure 50-609



ITEM	PART NUMBER	QTY	LINE	SERIES	BODY	ENGINE	TRANS	TRIM	DESCRIPTION
	1TN60BD3AA	1	J, T		74			*UL	[D3], [JTE], [JPM], Right
		1	J		74			*UL	[X9], [JTE], [JPM], [JPZ], Right
	1TN611L1AA	1	J, T		74			*UL	[XL], [JT2], Left
		1	U		74			*UL	[X9], [JT2], [NHS], [SUB], Right
		1	J		74			*UL	[XL], [JT2], [SUB], Left
		1	U		74			*UL	[XL], [JT2], [SUB], Left
	1TN61BD3AA	1	J, T		74			*UL	[XL], [JT2], [NHS], [SUB], Left
	1TN61DX9AA	1	J, T		74			*UL	[D3], [JTE], [JPM], Left
		1	U		74			*UL	[X9], [JT2], Left
		1	J		74			*UL	[XL], [JT2], [NHS], [SUB], Left
		1	J		74			*UL	[X9], [JT2], [SUB], Left
		1	J		74			*UL	[X9], [JTE], [JPM], [JPZ], Left
		1	J		74			*UL	[X9], [JT2], [NHS], [SUB], Left
		1	U		74			*UL	[X9], [JT2], [NHS], [SUB], Left
		1	J, T		74			*UL	[X9], [JTE], [JPM], Left
		1	U		74			*UL	[X9], [JT2], [SUB], Left
21									SHIELD, RISER, Pivot Leg
	1TM591L1AA	3	J, T		74			*UL	[XL], [JT2]
		3	J		74			*UL	[XL], [JT2], [NHS], [SUB]
		3	U		74			*UL	[XL], [JT2], [SUB]
		3	U		74			*UL	[XL], [JT2], [NHS], [SUB]
		3	J		74			*UL	[XL], [JT2], [SUB]
	1TM59DX9AA	3	J, T		74			*UL	[X9], [JT2]
		3	J		74			*UL	[X9], [JT2], [NHS], [SUB]
	1TM59BD3AA	3	J, T		74			*UL	[D3], [JTE], [JPM]
		3	J		74			*UL	[X9], [JTE], [JPM], [JPZ]
		3	U		74			*UL	[X9], [JT2], [SUB]
		3	J		74			*UL	[X9], [JT2], [SUB]
		3	J, T		74			*UL	[X9], [JTE], [JPM]
	1TM611L1AA	1	J, T		74			*UL	[XL], [JT2], Left, Inboard
		3	U		74			*UL	[X9], [JT2], [NHS], [SUB]
		1	J		74			*UL	[XL], [JT2], [SUB], Left, Inboard
		1	U		74			*UL	[XL], [JT2], [SUB], Left, Inboard

GRAND CHEROKEE (WK)

SERIES LINE
H = HIGHLINE T = JEEP - 2WD
P = PREMIUM J = JEEP - 4WD
S = SPORT U = JEEP - 4WD (RHD)

BODY
74 = SPORT UTILITY 4-DR
TYPE #4

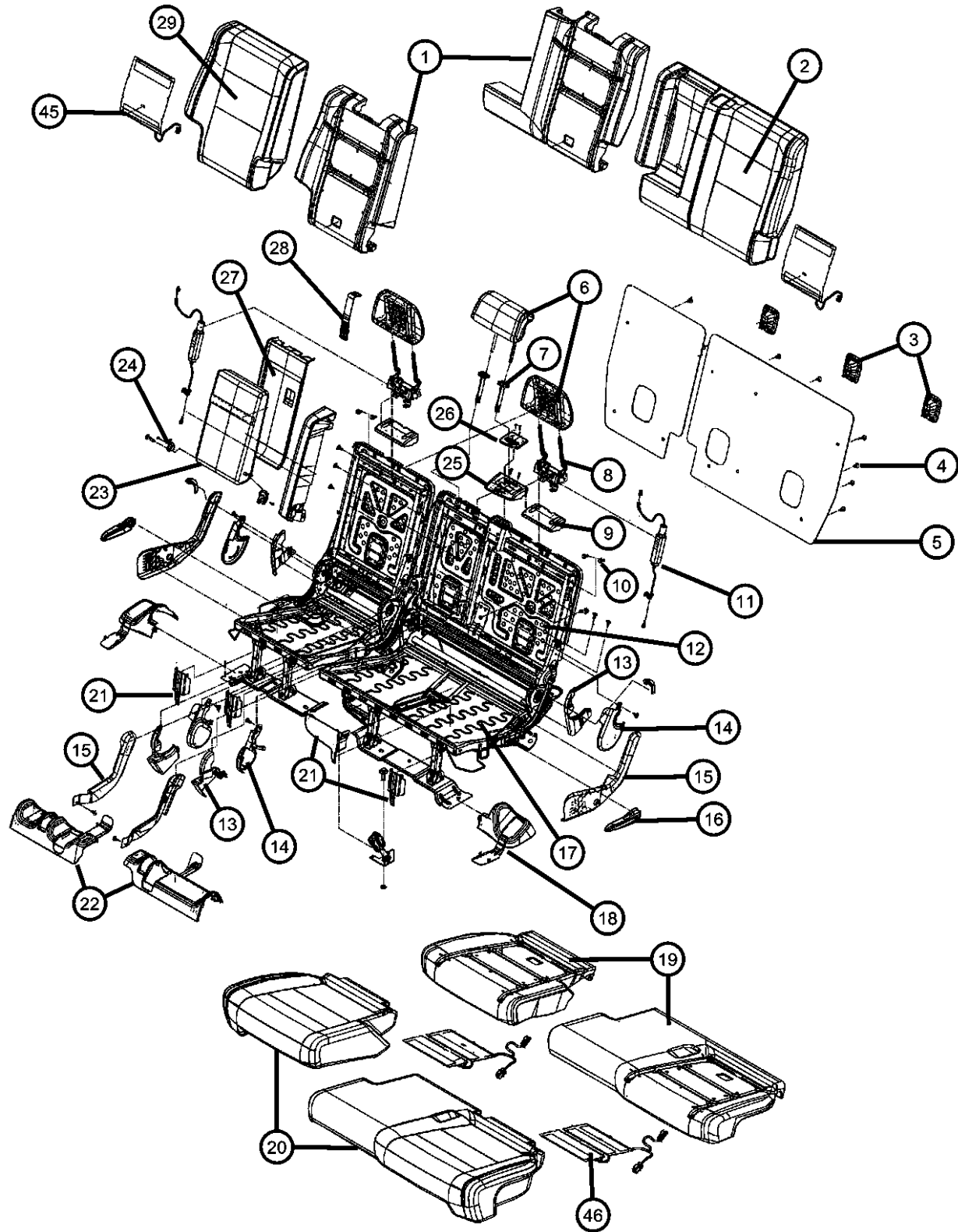
ENGINE
ERB = 3.XL Mid V6 Engine
EZH = 5.7L V8 HEMI MDS
VVT Engine
EXF = 3.0L V6 Turbo Diesel
Engine

TRANSMISSION
DGQ = 5-Spd Automatic 545RFE
Transmission
DGJ = 5-Speed Auto W5A580
Transmission

AR = use ase required - = Non illustrated part

2011 WK

Rear Seat - 60/40 Seat - Trim Code [UL]
Figure 50-609



ITEM	PART NUMBER	QTY	LINE	SERIES	BODY	ENGINE	TRANS	TRIM	DESCRIPTION
		1	J		74			*UL	[XL], [JT2], [NHS], [SUB], Left, Inboard
	1TM61BD3AA	1	J, T		74			*UL	[D3], [JTE], [JPM], Left, Inboard
	1TM61DX9AA	1	J, T		74			*UL	[X9], [JT2], Left, Inboard
		1	U		74			*UL	[XL], [JT2], [NHS], [SUB], Left, Inboard
		1	J		74			*UL	[X9], [JT2], [SUB], Left, Inboard
		1	J		74			*UL	[X9], [JTE], [JPM], [JPZ], Left, Inboard
		1	J		74			*UL	[X9], [JT2], [NHS], [SUB], Left, Inboard
		1	U		74			*UL	[X9], [JT2], [NHS], [SUB], Left, Inboard
		1	J, T		74			*UL	[X9], [JTE], [JPM], Left, Inboard
		1	U		74			*UL	[X9], [JT2], [SUB], Left, Inboard
22									SHIELD, RISER, Front Floor Bracket
	1TM601L1AA	1	J		74			*UL	[XL], [JT2], [NHS], [SUB], Right
		1	J		74			*UL	[XL], [JT2], [SUB], Right
		1	J, T		74			*UL	[XL], [JT2], Right
		1	U		74			*UL	[XL], [JT2], [NHS], [SUB], Right
	1TM60BD3AA	1	J, T		74			*UL	[D3], [JTE], [JPM], Right
		1	U		74			*UL	[XL], [JT2], [SUB], Right
	1TM60DX9AA	1	J		74			*UL	[X9], [JT2], [NHS], [SUB], Right
		1	J		74			*UL	[X9], [JT2], [SUB], Right
		1	J, T		74			*UL	[X9], [JT2], Right
		1	U		74			*UL	[X9], [JT2], [SUB], Right
		1	U		74			*UL	[X9], [JT2], [NHS], [SUB], Right
		1	J		74			*UL	[X9], [JTE], [JPM], [JPZ], Right
	1TM621L1AA	1	J, T		74			*UL	[XL], [JT2], Left
		1	J		74			*UL	[XL], [JT2], [NHS], [SUB], Left
		1	J, T		74			*UL	[X9], [JTE], [JPM], Right
		1	U		74			*UL	[XL], [JT2], [SUB], Left
		1	U		74			*UL	[XL], [JT2], [NHS], [SUB], Left
		1	J		74			*UL	[XL], [JT2], [SUB], Left
	1TM62DX9AA	1	J, T		74			*UL	[X9], [JT2], Left
		1	J		74			*UL	[X9], [JT2], [NHS], [SUB], Left

GRAND CHEROKEE (WK)

SERIES LINE
H = HIGHLINE T = JEEP - 2WD
P = PREMIUM J = JEEP - 4WD
S = SPORT U = JEEP - 4WD (RHD)

BODY
74 = SPORT UTILITY 4-DR
TYPE #4

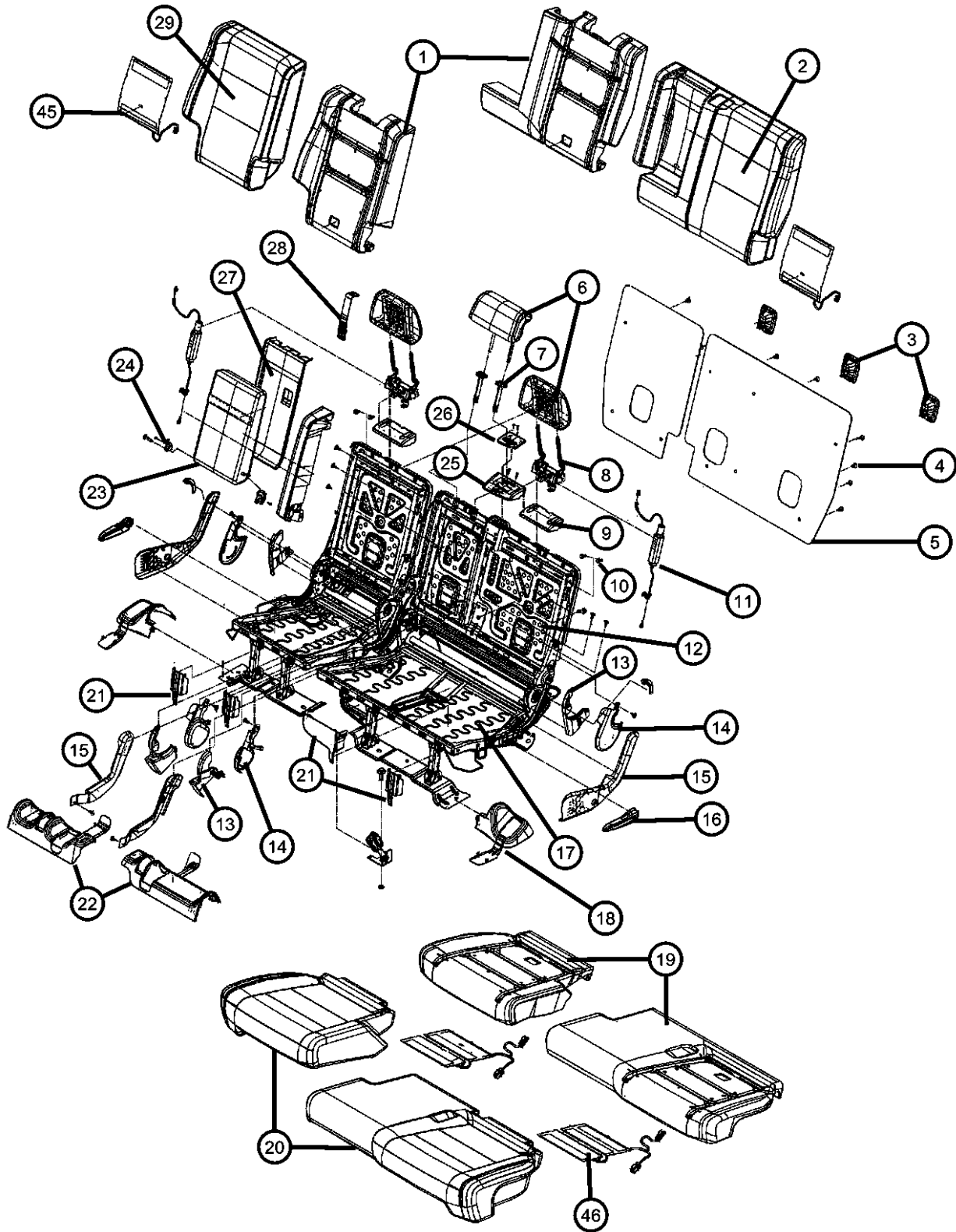
ENGINE
ERB = 3.0L Mid V6 Engine
EZH = 5.7L V8 HEMI MDS
VVT Engine
EXF = 3.0L V6 Turbo Diesel
Engine

TRANSMISSION
DGQ = 5-Speed Automatic 545RFE
Transmission
DGJ = 5-Speed Auto W5A580
Transmission

AR = use ase required - = Non illustrated part

2011 WK

Rear Seat - 60/40 Seat - Trim Code [UL]
Figure 50-609



ITEM	PART NUMBER	QTY	LINE	SERIES	BODY	ENGINE	TRANS	TRIM	DESCRIPTION
	1TM62BD3AA	1	J, T		74			*UL	[D3], [JTE], [JPM], Left
		1	J		74			*UL	[X9], [JTE], [JPM], [JPZ], Left
		1	U		74			*UL	[X9], [JT2], [SUB], Left
		1	J		74			*UL	[X9], [JT2], [SUB], Left
		1	J, T		74			*UL	[X9], [JTE], [JPM], Left
		1	U		74			*UL	[X9], [JT2], [NHS], [SUB], Left
23									ARMREST, Second Row
	1TN321L1AA	1	J, T		74			*UL	[XL], [JT2]
	1TN321X9AA	1	U		74			*UL	[X9], [JT2], [SUB]
		1	U		74			*UL	[X9], [JT2], [NHS], [SUB]
		1	J		74			*UL	[X9], [JTE], [JPM], [JPZ]
		1	J		74			*UL	[XL], [JT2], [NHS], [SUB]
		1	U		74			*UL	[XL], [JT2], [SUB]
		1	U		74			*UL	[XL], [JT2], [NHS], [SUB]
		1	J		74			*UL	[XL], [JT2], [SUB]
		1	J		74			*UL	[X9], [JT2], [NHS], [SUB]
		1	J		74			*UL	[X9], [JT2], [SUB]
		1	J		74			*UL	[X9], [JT2], [SUB]
		1	J, T		74			*UL	[X9], [JT2]
	1TN32BD3AA	1	J, T		74			*UL	[D3], [JTE], [JPM]
		1	J, T		74			*UL	[X9], [JTE], [JPM]
24									BUSHING, Pivot
	68086230AA	1	J		74			*UL	[JT2], [NHS], [SUB], Right
		1	J		74			*UL	[JT2], [SUB], Right
		1	J, T		74			*UL	[JT2], Right
		1	U		74			*UL	[JT2], [SUB], Right
		1	U		74			*UL	[JT2], [NHS], [SUB], Right
		1	J		74			*UL	[JTE], [JPM], [JPZ], Right
	68086231AA	1	J		74			*UL	[JT2], [NHS], [SUB], Left
		1	J		74			*UL	[JT2], [SUB], Left
		1	J, T		74			*UL	[JTE], [JPM], Right
		1	J, T		74			*UL	[JT2], Left
		1	U		74			*UL	[JT2], [SUB], Left
		1	U		74			*UL	[JT2], [NHS], [SUB], Left
		1	J		74			*UL	[JTE], [JPM], [JPZ], Left

GRAND CHEROKEE (WK)

SERIES LINE
H = HIGHLINE T = JEEP - 2WD
P = PREMIUM J = JEEP - 4WD
S = SPORT U = JEEP - 4WD (RHD)

BODY
74 = SPORT UTILITY 4-DR
TYPE #4

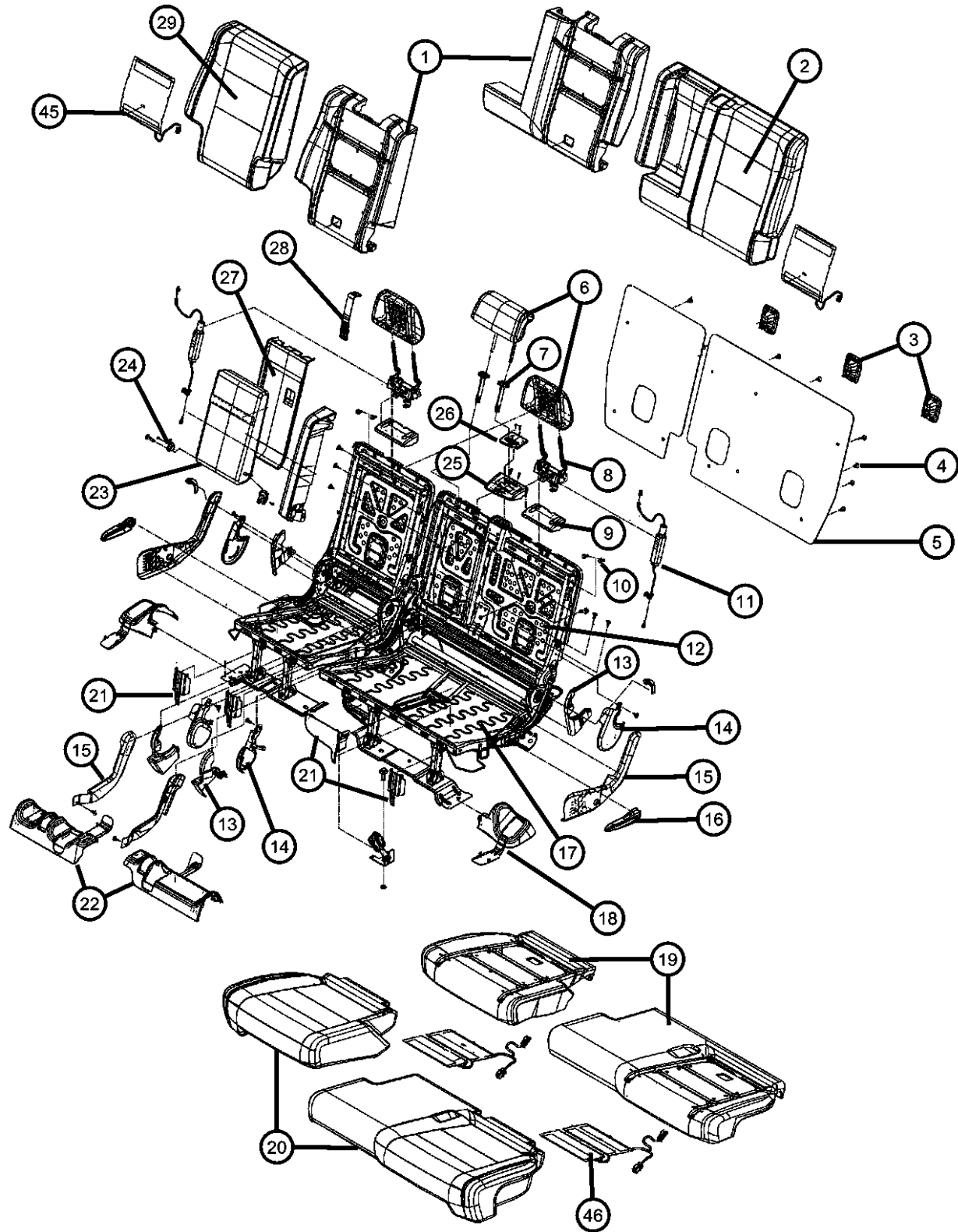
ENGINE
ERB = 3.0L Mid V6 Engine
EZH = 5.7L V8 HEMI MDS
VVT Engine
EXF = 3.0L V6 Turbo Diesel
Engine

TRANSMISSION
DGQ = 5-Spd Automatic 545RFE
Transmission
DGJ = 5-Speed Auto W5A580
Transmission

AR = use ase required - = Non illustrated part

2011 WK

Rear Seat - 60/40 Seat - Trim Code [UL]
Figure 50-609



ITEM	PART NUMBER	QTY	LINE	SERIES	BODY	ENGINE	TRANS	TRIM	DESCRIPTION
25		1	J, T		74			*UL	[JTE], [JPM], Left BEZEL, Seat Belt, Routing
	1TM83DX9AA	1	J, T		74			*UL	[X9], [JT2]
		1	J, T		74			*UL	[XL], [JT2]
		1	J		74			*UL	[XL], [JT2], [NHS], [SUB]
		1	J		74			*UL	[X9], [JT2], [SUB]
		1	J		74			*UL	[X9], [JT2], [NHS], [SUB]
		1	J		74			*UL	[X9], [JTE], [JPM], [JPZ]
		1	U		74			*UL	[X9], [JT2], [SUB]
		1	J		74			*UL	[XL], [JT2], [SUB]
		1	U		74			*UL	[X9], [JT2], [NHS], [SUB]
26		1	J, T		74			*UL	[XL], [JT2], [NHS], [SUB]
		1	J, T		74			*UL	[XL], [JT2], [SUB]
	1TM731L1AA	1	J, T		74			*UL	[XL], [JT2]
		1	J		74			*UL	[XL], [JT2], [SUB]
		1	U		74			*UL	[XL], [JT2], [SUB]
		1	J		74			*UL	[XL], [JT2], [NHS], [SUB]
	1TM73BD3AA	1	J, T		74			*UL	[D3], [JTE], [JPM]
	1TM73DX9AA	1	J, T		74			*UL	[X9], [JT2]
		1	U		74			*UL	[XL], [JT2], [NHS], [SUB]
		1	J		74			*UL	[X9], [JT2], [SUB]
27		1	J		74			*UL	[X9], [JTE], [JPM], [JPZ]
		1	J		74			*UL	[X9], [JT2], [NHS], [SUB]
		1	U		74			*UL	[X9], [JT2], [NHS], [SUB]
		1	J, T		74			*UL	[X9], [JTE], [JPM]
		1	U		74			*UL	[X9], [JT2], [SUB]
		1	J, T		74			*UL	[X9], [JTE], [JPM]
	1TM761L1AA	1	J, T		74			*UL	[XL], [JT2]
		1	J		74			*UL	[XL], [JT2], [NHS], [SUB]
		1	U		74			*UL	[XL], [JT2], [SUB]
		1	U		74			*UL	[XL], [JT2], [NHS], [SUB]

GRAND CHEROKEE (WK)

SERIES LINE
H = HIGHLINE T = JEEP - 2WD
P = PREMIUM J = JEEP - 4WD
S = SPORT U = JEEP - 4WD (RHD)

BODY
74 = SPORT UTILITY 4-DR
TYPE #4

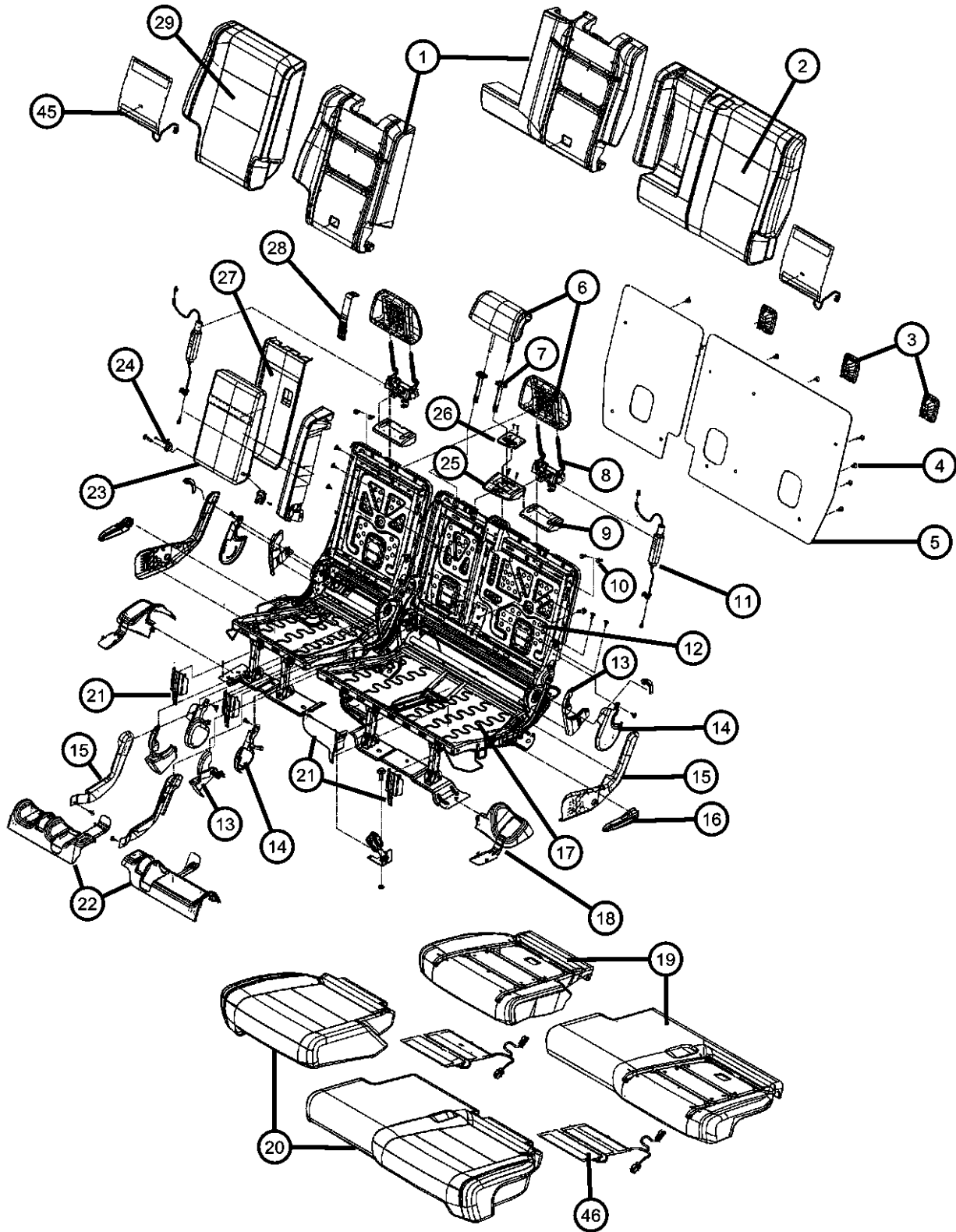
ENGINE
ERB = 3.0L Mid V6 Engine
EZH = 5.7L V8 HEMI MDS
VVT Engine
EXF = 3.0L V6 Turbo Diesel
Engine

TRANSMISSION
DGQ = 5-Spd Automatic 545RFE
Transmission
DGJ = 5-Speed Auto W5A580
Transmission

AR = use ase required - = Non illustrated part

2011 WK

Rear Seat - 60/40 Seat - Trim Code [UL]
Figure 50-609



ITEM	PART NUMBER	QTY	LINE	SERIES	BODY	ENGINE	TRANS	TRIM	DESCRIPTION
		1	J		74			*UL	[XL], [JT2], [SUB]
	1TM76DX9AA	1	J, T		74			*UL	[X9], [JT2]
		1	J		74			*UL	[X9], [JT2], [NHS], [SUB]
	1TM76BD3AA	1	J, T		74			*UL	[D3], [JTE], [JPM]
		1	J		74			*UL	[X9], [JTE], [JPM], [JPZ]
		1	U		74			*UL	[X9], [JT2], [SUB]
		1	J		74			*UL	[X9], [JT2], [SUB]
		1	J, T		74			*UL	[X9], [JTE], [JPM]
		1	U		74			*UL	[X9], [JT2], [NHS], [SUB]
28									STRAP
	1TM741L1AA	1	J, T		74			*UL	[XL], [JT2]
	1TM741X9AA	1	J		74			*UL	[X9], [JTE], [JPM], [JPZ]
		1	J		74			*UL	[X9], [JT2], [NHS], [SUB]
		1	U		74			*UL	[X9], [JT2], [NHS], [SUB]
		1	J, T		74			*UL	[X9], [JTE], [JPM]
		1	U		74			*UL	[X9], [JT2], [SUB]
		1	J		74			*UL	[XL], [JT2], [NHS], [SUB]
		1	J		74			*UL	[XL], [JT2], [SUB]
		1	U		74			*UL	[XL], [JT2], [NHS], [SUB]
		1	J, T		74			*UL	[X9], [JT2]
		1	U		74			*UL	[XL], [JT2], [SUB]
	1TM74BD3AA	1	J, T		74			*UL	[X9], [JT2], [SUB]
		1	J		74			*UL	[D3], [JTE], [JPM]
29									COVER, Rear Seat Back, 40%
	1TN581L1AA	1	J, T		74			*UL	[XL], [JT2]
		1	J		74			*UL	[XL], [JT2], [SUB]
		1	U		74			*UL	[XL], [JT2], [SUB]
		1	J		74			*UL	[XL], [JT2], [NHS], [SUB]
	1TN58BD3AA	1	J, T		74			*UL	[D3], [JTE], [JPM]
	1TN58DX9AA	1	J, T		74			*UL	[X9], [JT2]
		1	U		74			*UL	[XL], [JT2], [NHS], [SUB]
		1	J		74			*UL	[X9], [JTE], [JPM], [JPZ]
		1	J		74			*UL	[X9], [JT2], [SUB]
		1	J		74			*UL	[X9], [JT2], [NHS], [SUB]

GRAND CHEROKEE (WK)

SERIES LINE
H = HIGHLINE T = JEEP - 2WD
P = PREMIUM J = JEEP - 4WD
S = SPORT U = JEEP - 4WD (RHD)

BODY
74 = SPORT UTILITY 4-DR
TYPE #4

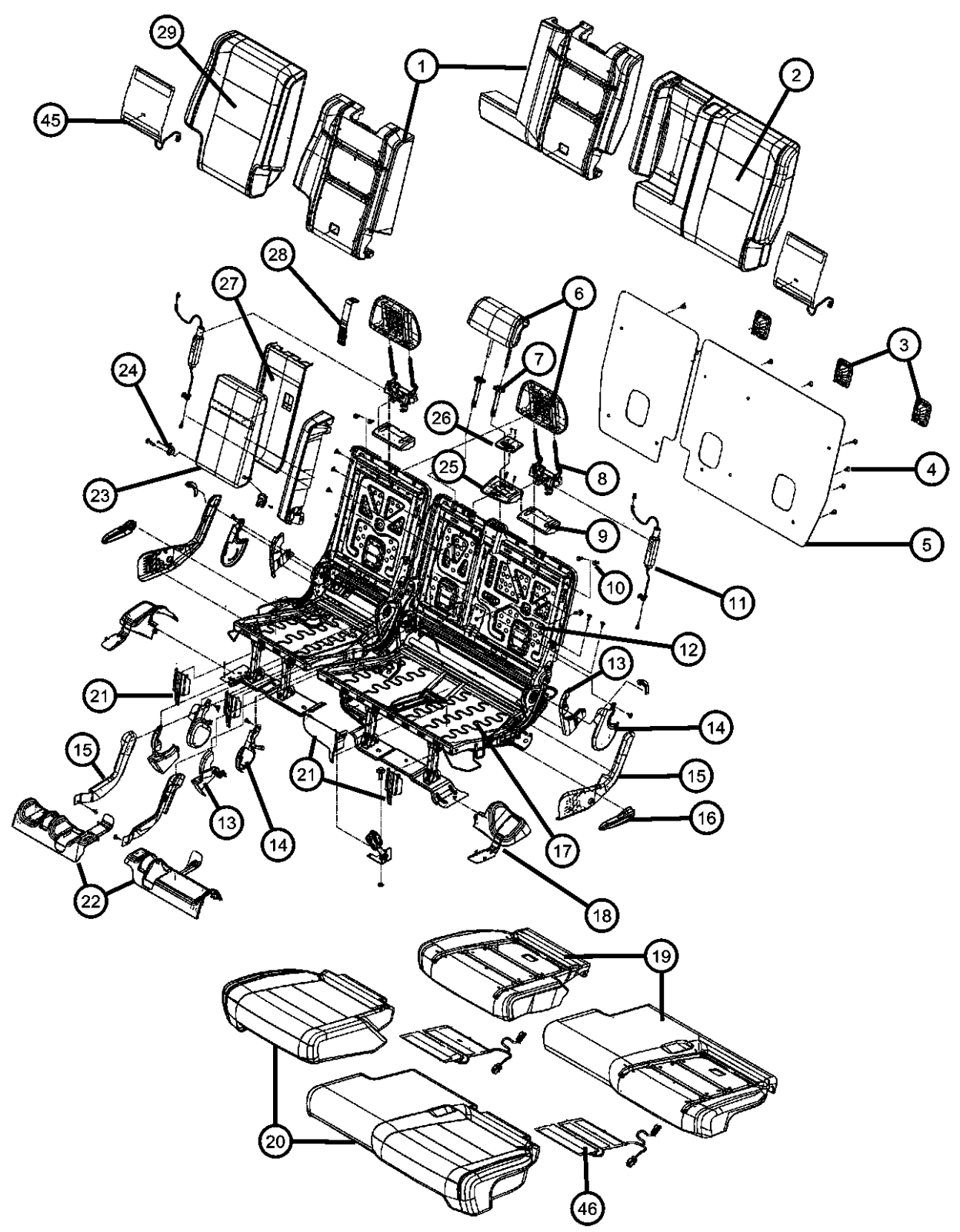
ENGINE
ERB = 3.0L V6 Engine
EZH = 5.7L V8 HEMI MDS
VVT Engine
EXF = 3.0L V6 Turbo Diesel
Engine

TRANSMISSION
DGQ = 5-Speed Automatic 545RFE
Transmission
DGJ = 5-Speed Auto W5A580
Transmission

AR = use ase required - = Non illustrated part

2011 WK

Rear Seat - 60/40 Seat - Trim Code [UL]
Figure 50-609

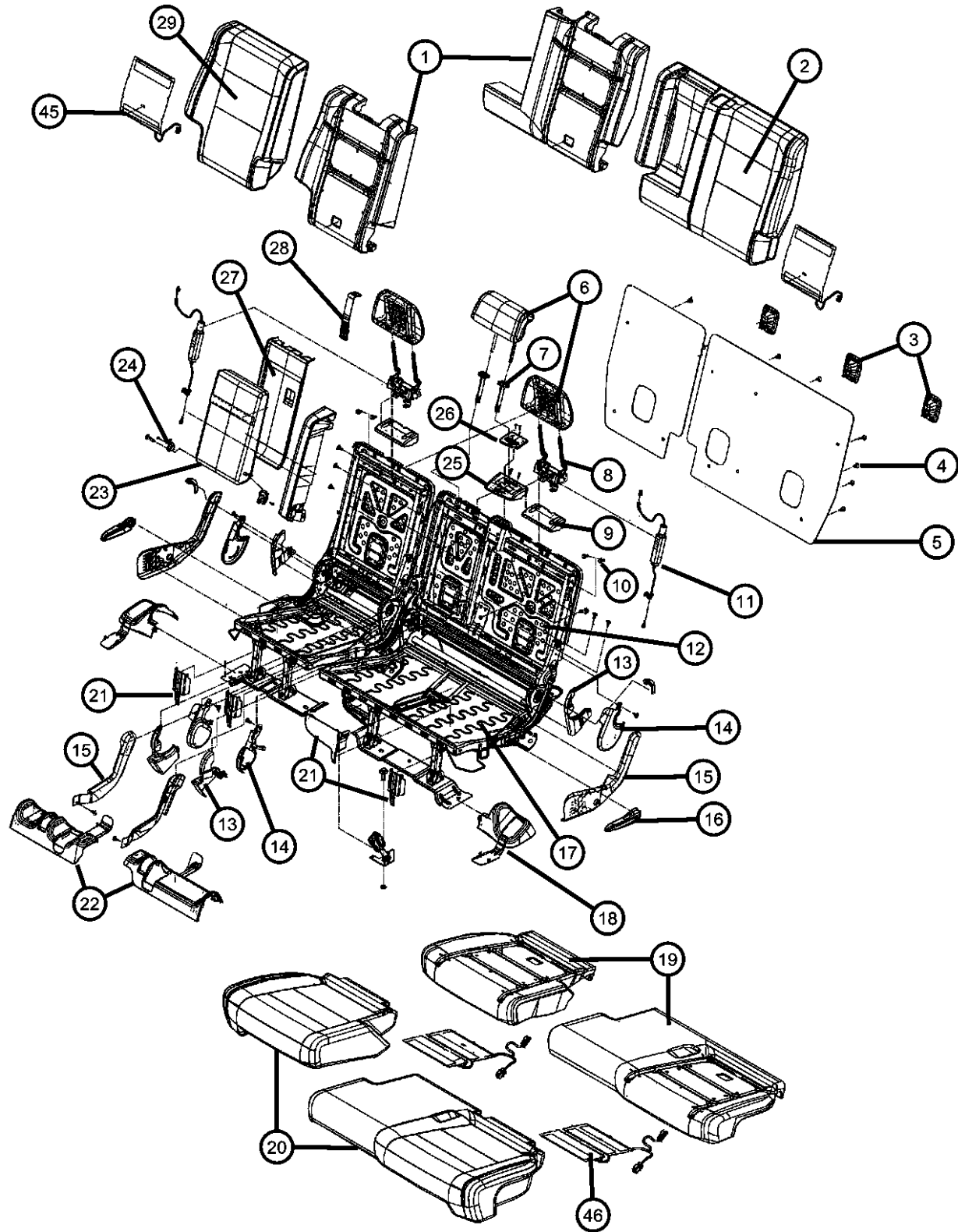


ITEM	PART NUMBER	QTY	LINE	SERIES	BODY	ENGINE	TRANS	TRIM	DESCRIPTION
		1	U		74			*UL	[X9], [JT2], [NHS], [SUB]
		1	J, T		74			*UL	[X9], [JTE], [JPM]
		1	U		74			*UL	[X9], [JT2], [SUB]
-30		1							SCREW, Mounts Pivot Bushing To Armrest, (NOT SERVICED),
-31									SCREW, Seat, Mounts Seat Belt Exit Bezel
	68086234AA	2	J, T		74			*UL	[JT2]
		2	J		74			*UL	[JT2], [NHS], [SUB]
		2	J		74			*UL	[JT2], [SUB]
		2	U		74			*UL	[JT2], [SUB]
		2	U		74			*UL	[JT2], [NHS], [SUB]
		2	J		74			*UL	[JTE], [JPM], [JPZ]
		2	J, T		74			*UL	[JTE], [JPM]
-32									BOLT, M12x1.74x43
	68086233AA	1	J		74			*UL	[JT2], [NHS], [SUB]
		1	J, T		74			*UL	[JT2]
		1	U		74			*UL	[JT2], [SUB]
		1	U		74			*UL	[JT2], [NHS], [SUB]
		1	J		74			*UL	[JTE], [JPM], [JPZ]
		1	J		74			*UL	[JT2], [SUB]
		1	J, T		74			*UL	[JTE], [JPM]
-33	68085365AA	8	J, T, U		74				BOLT, M10x1.5x25
-34	68085366AA	9	J, T, U		74				BOLT, M8x1.25x50
-35	68085367AA	4	J, T, U		74				BOLT, Mounts O/B Headrest Pivot Mechanism To Seat Back Frame LINKAGE, Seat, Front
-36									Right
	68085351AA	1	J, T, U		74				Left
	68085352AA	1	J, T, U		74				BUSHING, Pivot Leg
-37	68085353AA	18	J, T, U		74				LINKAGE, Seat, Motion
-38	68085354AA	2	J, T, U		74				LINKAGE, Seat, Flag
-39	68085355AA	1	J, T, U		74				SPRING, Pivot Leg Lift
-40	68085357AA	2	J, T, U		74				RECLINER, Seat Back
-41									Left
	68085361AA	1	J, T, U		74				Right
	68085360AA	1	J, T, U		74				

GRAND CHEROKEE (WK)
 SERIES LINE BODY ENGINE TRANSMISSION
 H = HIGHLINE T = JEEP - 2WD 74 = SPORT UTILITY 4-DR ERB = 3.XL Mid V6 Engine DGQ = 5-Spd Automatic 545RFE
 P = PREMIUM J = JEEP - 4WD TYPE #4 EZH = 5.7L V8 HEMI MDS Transmission
 S = SPORT U = JEEP - 4WD (RHD) EXF = 3.0L V6 Turbo Diesel VVT Engine DGJ = 5-Speed Auto W5A580
 Engine Transmission

AR = use ase required - = Non illustrated part

Rear Seat - 60/40 Seat - Trim Code [UL]
Figure 50-609



ITEM	PART NUMBER	QTY	LINE	SERIES	BODY	ENGINE	TRANS	TRIM	DESCRIPTION
-42	68085362AA	1	J, T, U		74				LINKAGE, Seat, Stanchion Left
	68085363AA	1	J, T, U		74				Right
-43	68085359AA	1	J, T, U		74				TORSION BAR Right
	68085358AA	1	J, T, U		74				Left
-44	68085364AA	1	J, T, U		74				CLIP, Cable
45	04610226AC	2	J, T		74			*UL	HEATED PAD, Seat Back [JT2]
		2	J		74			*UL	[JT2], [NHS], [SUB]
		2	J		74			*UL	[JT2], [SUB]
		2	U		74			*UL	[JT2], [SUB]
		2	J		74			*UL	[JTE], [JPM], [JPZ]
		2	U		74			*UL	[JT2], [NHS], [SUB]
46	04610228AC	2	J, T		74			*UL	HEATED PAD, Seat Cushion [JT2]
		2	J		74			*UL	[JT2], [NHS], [SUB]
		2	J		74			*UL	[JT2], [SUB]
		2	U		74			*UL	[JT2], [SUB]
		2	J		74			*UL	[JTE], [JPM], [JPZ]
		2	U		74			*UL	[JT2], [NHS], [SUB]

GRAND CHEROKEE (WK)

SERIES LINE
H = HIGHLINE T = JEEP - 2WD
P = PREMIUM J = JEEP - 4WD
S = SPORT U = JEEP - 4WD (RHD)

BODY
74 = SPORT UTILITY 4-DR
TYPE #4

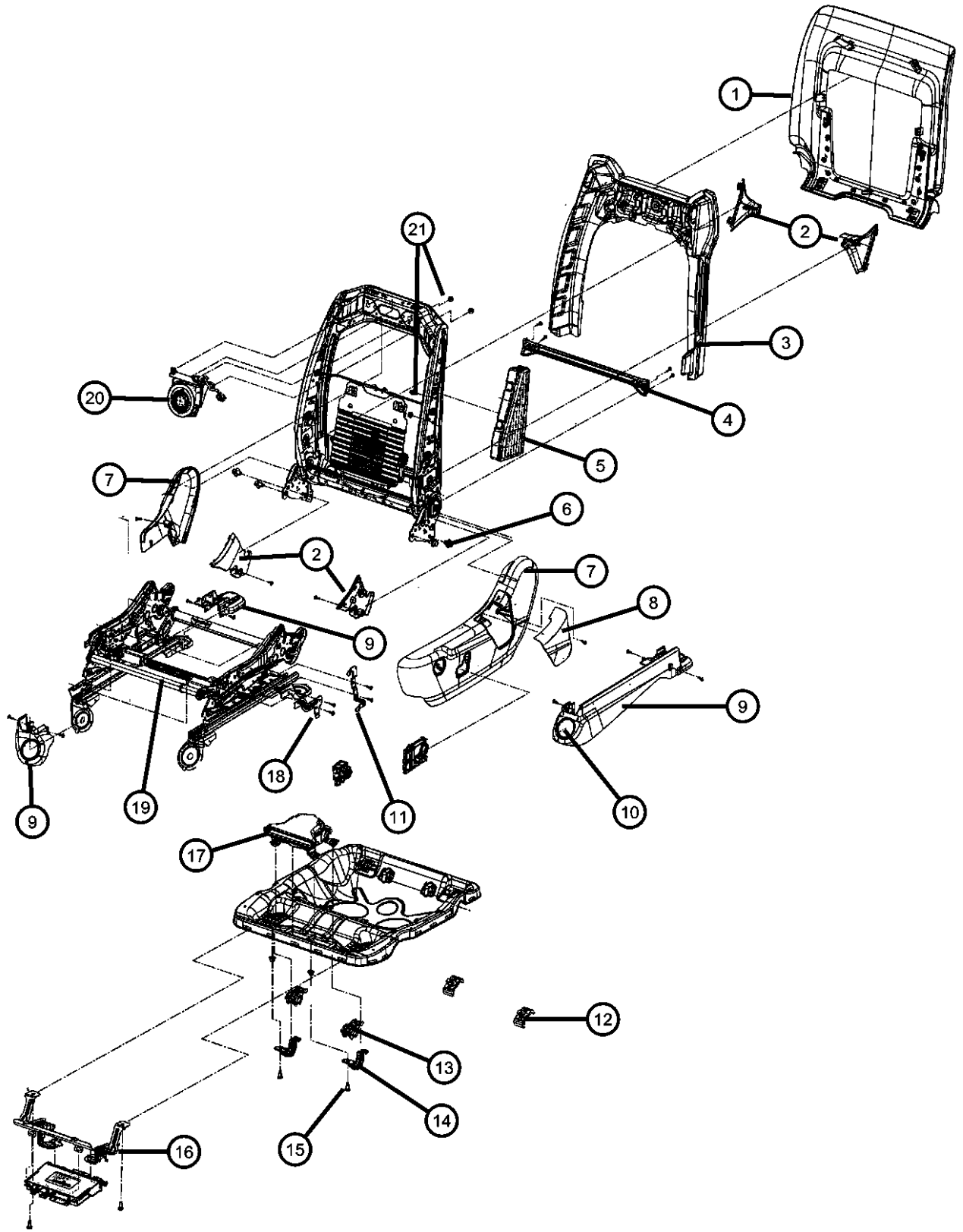
ENGINE
ERB = 3.0L Mid V6 Engine
EZH = 5.7L V8 HEMI MDS
VVT Engine
EXF = 3.0L V6 Turbo Diesel
Engine

TRANSMISSION
DGQ = 5-Spd Automatic 545RFE
Transmission
DGJ = 5-Speed Auto W5A580
Transmission

AR = use ase required - = Non illustrated part

2011 WK

Adjusters, Recliners and Shields - Driver Seat - Power
Figure 50-905



ITEM	PART NUMBER	QTY	LINE	SERIES	BODY	ENGINE	TRANS	TRIM	DESCRIPTION
1									PANEL, Front Seat Back
	1TM391L1AA	2	J, T		74			*GL	[L9], [JT2]
		2	J, T		74			*DL	[XL], [JT2], [CAJ], [NHS], [SUB]
		2	J, T		74			*UL	[XL], [JT2]
		2	J		74			*GL	[L9], [JT2]
		2	J		74			*UL	[XL], [JT2], [NHS], [SUB]
		2	U		74			*GL	[L9], [JT2]
		2	J		74			*UL	[XL], [JT2], [SUB]
		2	U		74			*UL	[XL], [JT2], [SUB]
		2	U		74			*UL	[XL], [JT2], [NHS], [SUB]
	1TM391X9AA	1	J, T		74			*F7	[X9], [JPR]
		2	J		74			*GL	[X9], [JT2]
		2	U		74			*F7	[X9], [JTE]
		2	J		74			*UL	[X9], [JT2], [NHS], [SUB]
		2	U		74			*GL	[X9], [JT2]
		1	J		74			*F7	[X9], [JT4]
		2	J		74			*UL	[X9], [JT2], [SUB]
		2	U		74			*F7	[X9], [JTE], [JPM]
		2	J		74			*UL	[X9], [JTE], [JPM], [JPZ]
		2	U		74			*UL	[X9], [JT2], [SUB]
		2	U		74			*UL	[X9], [JT2], [NHS], [SUB]
		1	J		74			*F7	[X9], [JT4], [JPM]
		2	J, T		74			*UL	[X9], [JT2], [NHS], [SUB]
		2	J, T		74			*DL	[X9], [JT2], [CAJ], [NHS], [SUB]
		2	J, T		74			*UL	[X9], [JT2]
		1	J, T		74			*F7	[X9], [JPR], [JKV]
		2	J, T		74			*GL	[X9], [JT2]
	1TM39BD3AA	1	J, T		74			*F7	[D3], [JPR]
2									COVER, Seat Recliner
	1TM441L1AA	2	J, T		74			*GL	[L9], [JT2], Right, Front, Inner
		2	J, T		74			*DL	[XL], [JT2], [CAJ], [NHS], [SUB], Right, Front, Inner
		2	J, T		74			*UL	[XL], [JT2], Right, Front, Inner
		2	J		74			*GL	[L9], [JT2], Right, Front, Inner
		2	J		74			*UL	[XL], [JT2], [NHS], [SUB], Right, Front, Inner

GRAND CHEROKEE (WK)
 SERIES LINE
 H = HIGHLINE T = JEEP - 2WD
 P = PREMIUM J = JEEP - 4WD
 S = SPORT U = JEEP - 4WD (RHD)

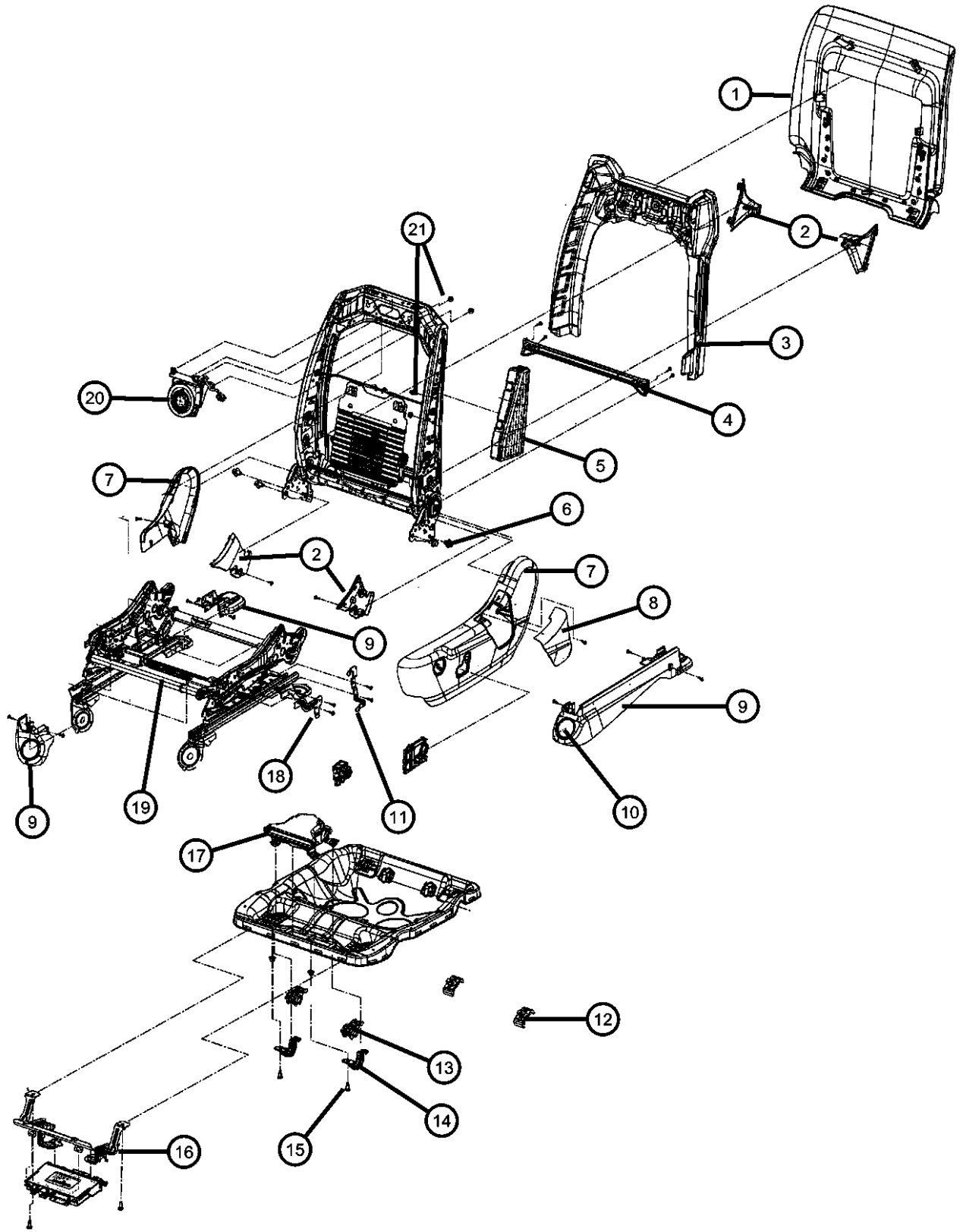
BODY
 74 = SPORT UTILITY 4-DR TYPE #4

ENGINE
 ERB = 3.0L Mid V6 Engine
 EZH = 5.7L V8 HEMI MDS VVT Engine
 EXF = 3.0L V6 Turbo Diesel Engine

TRANSMISSION
 DGQ = 5-Spd Automatic 545RFE Transmission
 DGJ = 5-Speed Auto W5A580 Transmission

AR = use ase required - = Non illustrated part

Adjusters, Recliners and Shields - Driver Seat - Power
Figure 50-905



ITEM	PART NUMBER	QTY	LINE	SERIES	BODY	ENGINE	TRANS	TRIM	DESCRIPTION
		2	U		74			*GL	[L9], [JT2], Right, Front, Inner
		2	J		74			*UL	[XL], [JT2], [SUB], Right, Front, Inner
		2	U		74			*UL	[XL], [JT2], [SUB], Right, Front, Inner
		2	U		74			*UL	[XL], [JT2], [NHS], [SUB], Right, Front, Inner
	1TM44DX9AA	1	J, T		74			*F7	[X9], [JPR], Right, Front, Inner
		1	J, T		74			*F7	[X9], [JPR], [JKV], Right, Front, Inner
		2	J, T		74			*GL	[X9], [JT2], Right, Front, Inner
		2	J, T		74			*GL	[XT], [JT2], Right, Front, Inner
		2	J, T		74			*DL	[X9], [JT2], [CAJ], [NHS], [SUB], Right, Front, Inner
		2	J, T		74			*UL	[X9], [JT2], Right, Front, Inner
		2	J		74			*GL	[X9], [JT2], Right, Front, Inner
		2	J		74			*GL	[XT], [JT2], Right, Front, Inner
		2	U		74			*F7	[X9], [JTE], Right, Front, Inner
		2	J		74			*UL	[X9], [JT2], [NHS], [SUB], Right, Front, Inner
		2	U		74			*GL	[X9], [JT2], Right, Front, Inner
		2	U		74			*GL	[XT], [JT2], Right, Front, Inner
		1	J		74			*F7	[X9], [JT4], Right, Front, Inner
		2	J		74			*UL	[X9], [JT2], [SUB], Right, Front, Inner
		2	U		74			*F7	[X9], [JTE], [JPM], Right, Front, Inner
		2	J		74			*UL	[X9], [JTE], [JPM], [JPZ], Right, Front, Inner
		2	U		74			*UL	[X9], [JT2], [SUB], Right, Front, Inner
		2	U		74			*UL	[X9], [JT2], [NHS], [SUB], Right, Front, Inner
		1	J		74			*F7	[X9], [JT4], [JPM], Right, Front, Inner
		2	J, T		74			*UL	[X9], [JTE], [JPM], Right, Front, Inner
	1TM451L1AA	2	J		74			*UL	[XL], [JT2], [NHS], [SUB], Left, Front, Inner
		2	U		74			*GL	[L9], [JT2], Left, Front, Inner
		2	J		74			*UL	[XL], [JT2], [SUB], Left, Front, Inner

GRAND CHEROKEE (WK)

SERIES LINE
H = HIGHLINE T = JEEP - 2WD
P = PREMIUM J = JEEP - 4WD
S = SPORT U = JEEP - 4WD (RHD)

BODY
74 = SPORT UTILITY 4-DR TYPE #4

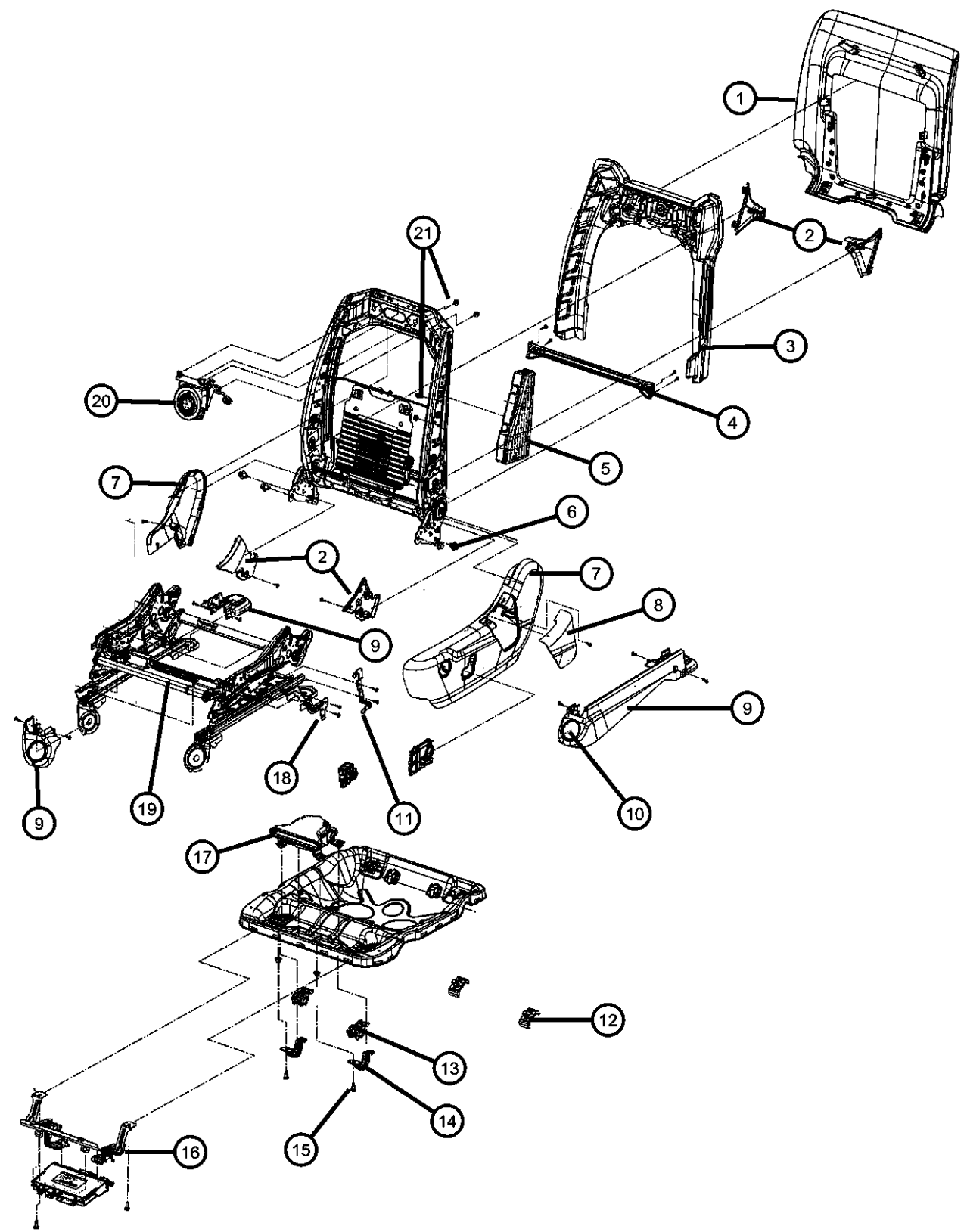
ENGINE
ERB = 3.0L Mid V6 Engine
EZH = 5.7L V8 HEMI MDS VVT Engine
EXF = 3.0L V6 Turbo Diesel Engine

TRANSMISSION
DGQ = 5-Spd Automatic 545RFE Transmission
DGJ = 5-Speed Auto W5A580 Transmission

AR = use ase required - = Non illustrated part

2011 WK

Adjusters, Recliners and Shields - Driver Seat - Power
Figure 50-905



ITEM	PART NUMBER	QTY	LINE	SERIES	BODY	ENGINE	TRANS	TRIM	DESCRIPTION
		2	U		74			*UL	[XL], [JT2], [SUB], Left, Front, Inner
	1TM45BD3AA	1	J, T		74			*F7	[D3], [JPR], [JKV], Left, Front, Inner
		2	J, T		74			*UL	[D3], [JTE], [JPM], Left, Front, Inner
	1TM45DX9AA	1	J, T		74			*F7	[X9], [JPR], Left, Front, Inner
		1	J, T		74			*F7	[X9], [JPR], [JKV], Left, Front, Inner
		2	J, T		74			*GL	[X9], [JT2], Left, Front, Inner
		2	J, T		74			*GL	[XT], [JT2], Left, Front, Inner
		2	J, T		74			*DL	[X9], [JT2], [CAJ], [NHS], [SUB], Left, Front, Inner
		2	J, T		74			*UL	[X9], [JT2], Left, Front, Inner
		2	J		74			*GL	[X9], [JT2], Left, Front, Inner
		2	J		74			*GL	[XT], [JT2], Left, Front, Inner
		2	U		74			*F7	[X9], [JTE], Left, Front, Inner
		2	J		74			*UL	[X9], [JT2], [NHS], [SUB], Left, Front, Inner
		2	U		74			*GL	[X9], [JT2], Left, Front, Inner
		2	U		74			*GL	[XT], [JT2], Left, Front, Inner
		1	J		74			*F7	[X9], [JT4], Left, Front, Inner
		2	J		74			*UL	[X9], [JT2], [SUB], Left, Front, Inner
		2	U		74			*F7	[X9], [JTE], [JPM], Left, Front, Inner
		2	J		74			*UL	[X9], [JTE], [JPM], [JPZ], Left, Front, Inner
		2	U		74			*UL	[X9], [JT2], [SUB], Left, Front, Inner
		2	U		74			*UL	[X9], [JT2], [NHS], [SUB], Left, Front, Inner
		1	J		74			*F7	[X9], [JT4], [JPM], Left, Front, Inner
	1TM491L1AA	2	J, T		74			*DL	[XL], [JT2], [CAJ], [NHS], [SUB], Right, Rear, Inner
		2	J, T		74			*UL	[XL], [JT2], Right, Rear, Inner
		2	J		74			*GL	[L9], [JT2], Right, Rear, Inner
		2	J		74			*UL	[XL], [JT2], [NHS], [SUB], Right, Rear, Inner
		2	U		74			*GL	[L9], [JT2], Right, Rear, Inner

GRAND CHEROKEE (WK)

SERIES LINE
H = HIGHLINE T = JEEP - 2WD
P = PREMIUM J = JEEP - 4WD
S = SPORT U = JEEP - 4WD (RHD)

BODY
74 = SPORT UTILITY 4-DR TYPE #4

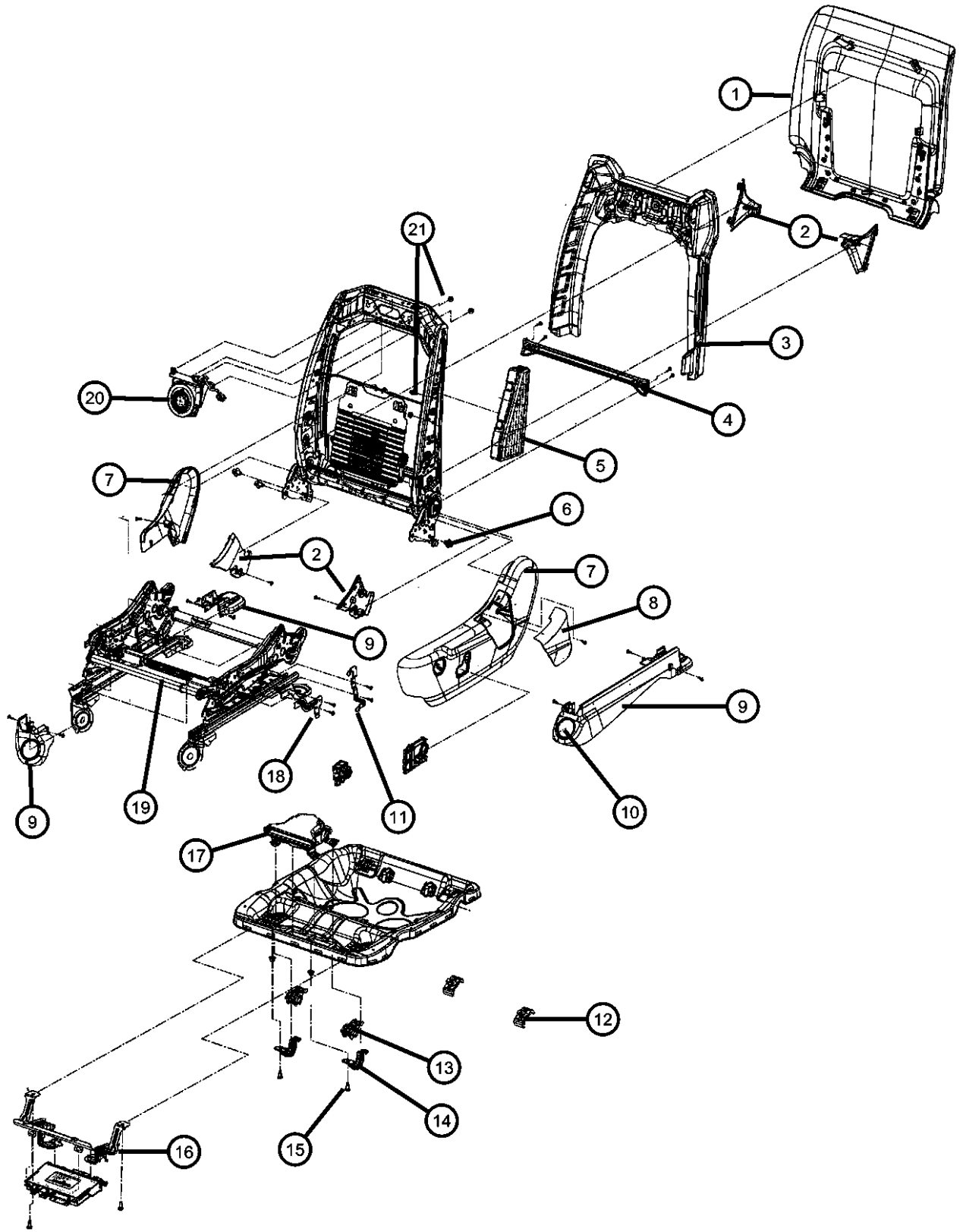
ENGINE
ERB = 3.0L Mid V6 Engine
EZH = 5.7L V8 HEMI MDS VVT Engine
EXF = 3.0L V6 Turbo Diesel Engine

TRANSMISSION
DGQ = 5-Spd Automatic 545RFE Transmission
DGJ = 5-Speed Auto W5A580 Transmission

AR = use ase required - = Non illustrated part

2011 WK

Adjusters, Recliners and Shields - Driver Seat - Power
Figure 50-905



ITEM	PART NUMBER	QTY	LINE	SERIES	BODY	ENGINE	TRANS	TRIM	DESCRIPTION
		2	J		74			*UL	[XL], [JT2], [SUB], Right, Rear, Inner
		2	U		74			*UL	[XL], [JT2], [SUB], Right, Rear, Inner
		2	U		74			*UL	[XL], [JT2], [NHS], [SUB], Right, Rear, Inner
	1TM49DX9AA	1	J, T		74			*F7	[X9], [JPR], [JKV], Right, Rear, Inner
		2	J, T		74			*GL	[X9], [JT2], Right, Rear, Inner
		2	J, T		74			*GL	[XT], [JT2], Right, Rear, Inner
		2	J, T		74			*DL	[X9], [JT2], [CAJ], [NHS], [SUB], Right, Rear, Inner
		2	J, T		74			*UL	[X9], [JT2], Right, Rear, Inner
		2	J		74			*GL	[X9], [JT2], Right, Rear, Inner
		2	J		74			*GL	[XT], [JT2], Right, Rear, Inner
		2	U		74			*F7	[X9], [JTE], Right, Rear, Inner
		2	J		74			*UL	[X9], [JT2], [NHS], [SUB], Right, Rear, Inner
		2	U		74			*GL	[X9], [JT2], Right, Rear, Inner
		2	U		74			*GL	[XT], [JT2], Right, Rear, Inner
		1	J		74			*F7	[X9], [JT4], Right, Rear, Inner
		2	J		74			*UL	[X9], [JT2], [SUB], Right, Rear, Inner
		2	U		74			*F7	[X9], [JTE], [JPM], Right, Rear, Inner
		2	J		74			*UL	[X9], [JTE], [JPM], [JPZ], Right, Rear, Inner
		2	U		74			*UL	[X9], [JT2], [SUB], Right, Rear, Inner
		2	U		74			*UL	[X9], [JT2], [NHS], [SUB], Right, Rear, Inner
		1	J		74			*F7	[X9], [JT4], [JPM], Right, Rear, Inner
		2	J, T		74			*UL	[X9], [JTE], [JPM], Right, Rear, Inner
	1TM501L1AA	2	J		74			*UL	[XL], [JT2], [NHS], [SUB], Left, Rear, Inner
		2	U		74			*GL	[L9], [JT2], Left, Rear, Inner
		2	J		74			*UL	[XL], [JT2], [SUB], Left, Rear, Inner
		2	U		74			*UL	[XL], [JT2], [SUB], Left, Rear, Inner
	1TM50BD3AA	1	J, T		74			*F7	[D3], [JPR], [JKV], Left, Rear, Inner

GRAND CHEROKEE (WK)

SERIES LINE
H = HIGHLINE T = JEEP - 2WD
P = PREMIUM J = JEEP - 4WD
S = SPORT U = JEEP - 4WD (RHD)

BODY
74 = SPORT UTILITY 4-DR TYPE #4

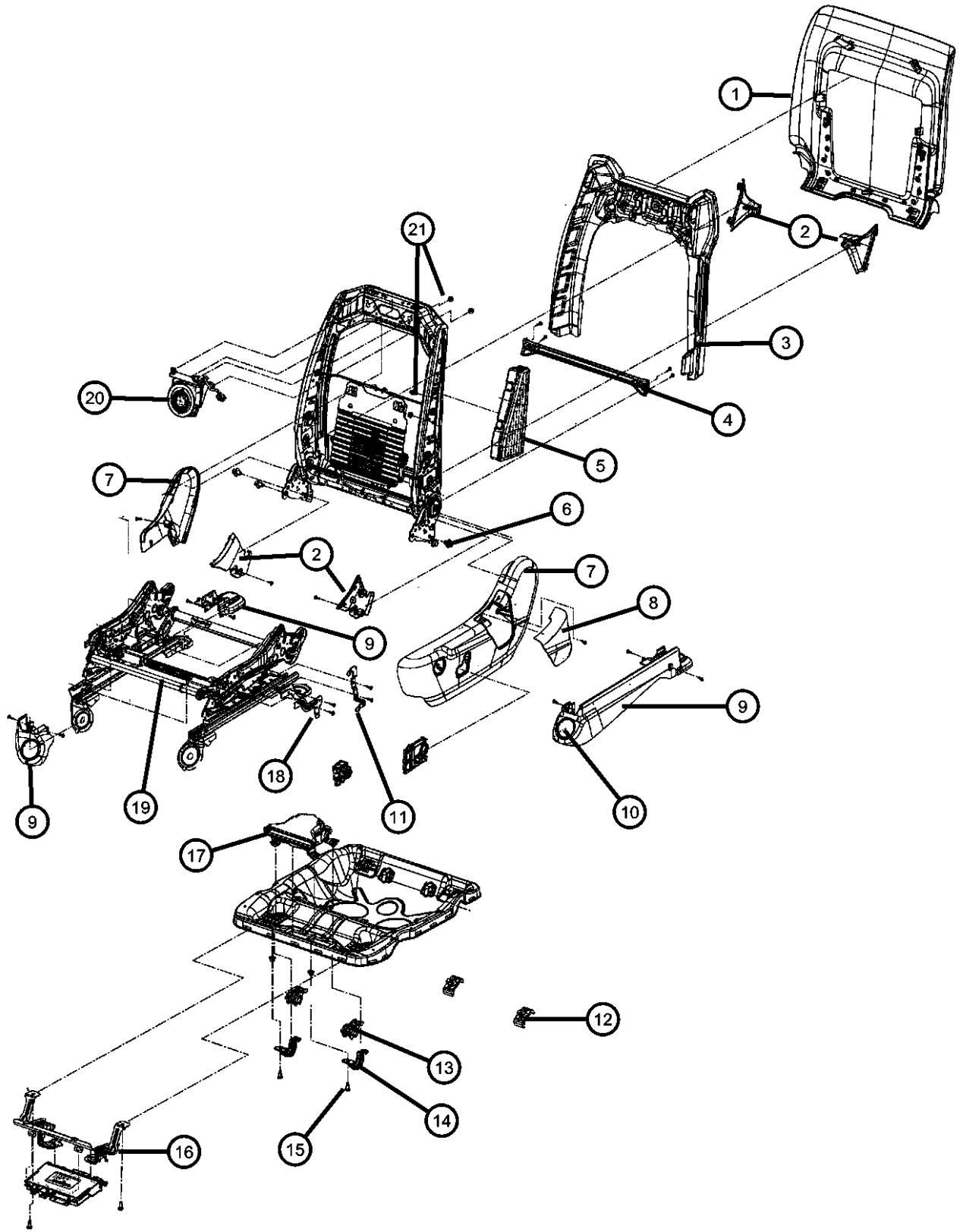
ENGINE
ERB = 3.0L Mid V6 Engine
EZH = 5.7L V8 HEMI MDS VVT Engine
EXF = 3.0L V6 Turbo Diesel Engine

TRANSMISSION
DGQ = 5-Spd Automatic 545RFE Transmission
DGJ = 5-Speed Auto W5A580 Transmission

AR = use ase required - = Non illustrated part

2011 WK

Adjusters, Recliners and Shields - Driver Seat - Power
Figure 50-905



ITEM	PART NUMBER	QTY	LINE	SERIES	BODY	ENGINE	TRANS	TRIM	DESCRIPTION
		2	J, T		74			*UL	[D3], [JTE], [JPM], Left, Rear, Inner
	1TM50DX9AA	1	J, T		74			*F7	[X9], [JPR], Left, Rear, Inner
		1	J, T		74			*F7	[X9], [JPR], [JKV], Left, Rear, Inner
		2	J, T		74			*GL	[X9], [JT2], Left, Rear, Inner
		2	J, T		74			*GL	[XT], [JT2], Left, Rear, Inner
		2	J, T		74			*DL	[X9], [JT2], [CAJ], [NHS], [SUB], Left, Rear, Inner
		2	J, T		74			*UL	[X9], [JT2], Left, Rear, Inner
		1	J		74			*GL	[X9], [JT2], Left, Rear, Inner
		1	J		74			*GL	[XT], [JT2], Left, Rear, Inner
		2	U		74			*F7	[X9], [JTE], Left, Rear, Inner
		2	J		74			*UL	[X9], [JT2], [NHS], [SUB], Left, Rear, Inner
		2	U		74			*GL	[X9], [JT2], Left, Rear, Inner
		2	U		74			*GL	[XT], [JT2], Left, Rear, Inner
		1	J		74			*F7	[X9], [JT4], Left, Rear, Inner
		2	J		74			*UL	[X9], [JT2], [SUB], Left, Rear, Inner
		2	U		74			*F7	[X9], [JTE], [JPM], Left, Rear, Inner
		2	J		74			*UL	[X9], [JTE], [JPM], [JPZ], Left, Rear, Inner
		2	U		74			*UL	[X9], [JT2], [SUB], Left, Rear, Inner
		2	U		74			*UL	[X9], [JT2], [NHS], [SUB], Left, Rear, Inner
		1	J		74			*F7	[X9], [JT4], [JPM], Left, Rear, Inner
	1TM44BD3AA	1	J, T		74			*F7	[D3], [JPR], Right, Front, Inner
		1	J, T		74			*F7	[D3], [JPR], [JKV], Right, Front, Inner
		2	J, T		74			*UL	[D3], [JTE], [JPM], Right, Front, Inner
		2	J, T		74			*UL	[XL], [JT2], Left, Front, Inner
		2	J		74			*GL	[L9], [JT2], Left, Front, Inner
		2	J, T		74			*GL	[L9], [JT2], Left, Front, Inner
		2	J, T		74			*DL	[XL], [JT2], [CAJ], [NHS], [SUB], Left, Front, Inner
		2	U		74			*UL	[XL], [JT2], [NHS], [SUB], Left, Front, Inner

GRAND CHEROKEE (WK)

SERIES LINE
H = HIGHLINE T = JEEP - 2WD
P = PREMIUM J = JEEP - 4WD
S = SPORT U = JEEP - 4WD (RHD)

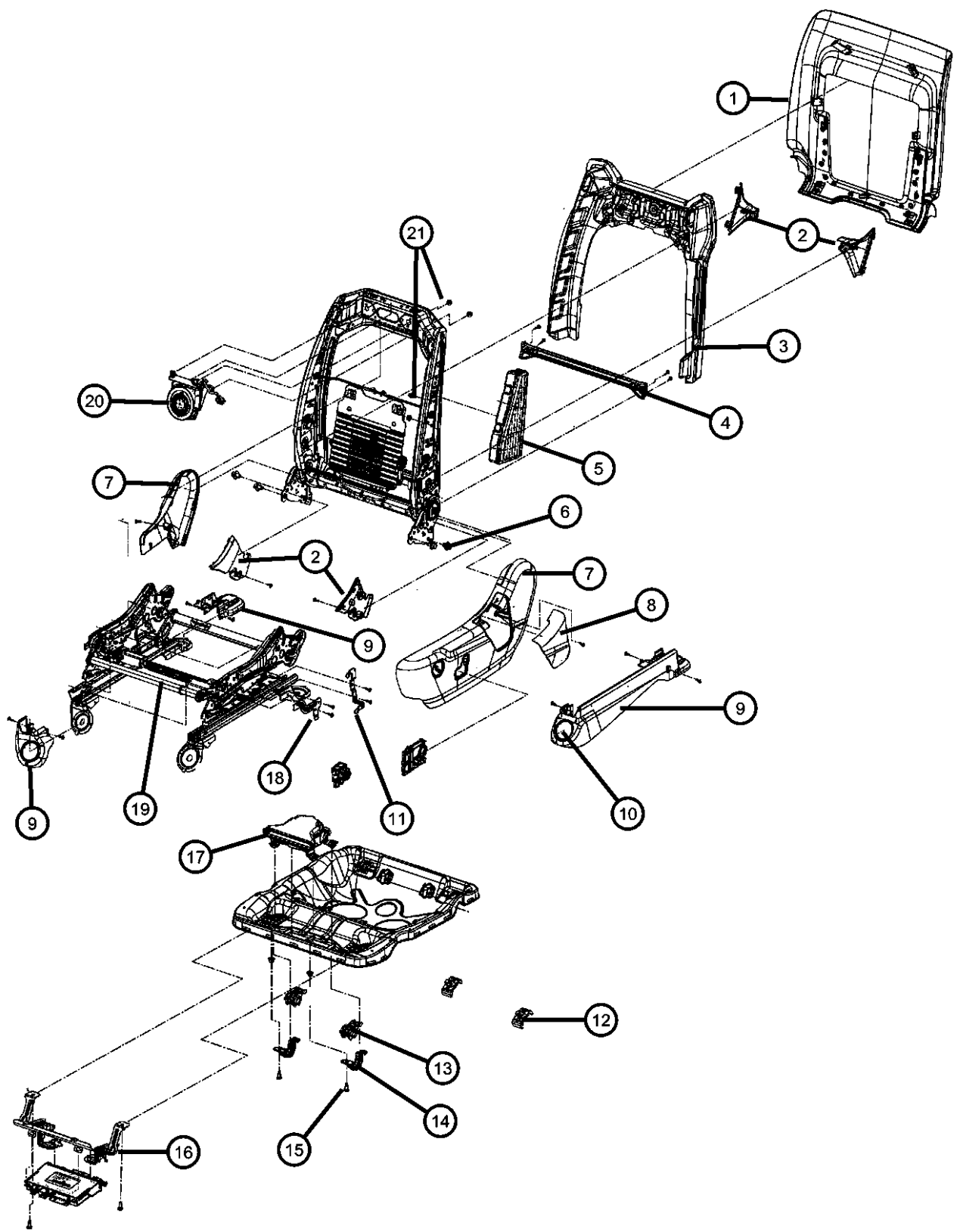
BODY
74 = SPORT UTILITY 4-DR TYPE #4

ENGINE
ERB = 3.0L Mid V6 Engine
EZH = 5.7L V8 HEMI MDS VVT Engine
EXF = 3.0L V6 Turbo Diesel Engine

TRANSMISSION
DGQ = 5-Spd Automatic 545RFE Transmission
DGJ = 5-Speed Auto W5A580 Transmission

AR = use ase required - = Non illustrated part

Adjusters, Recliners and Shields - Driver Seat - Power
Figure 50-905



ITEM	PART NUMBER	QTY	LINE	SERIES	BODY	ENGINE	TRANS	TRIM	DESCRIPTION
		2	J, T		74			*UL	[X9], [JTE], [JPM], Left, Front, Inner
		2	J, T		74			*GL	[L9], [JT2], Right, Rear, Inner
		1	J, T		74			*F7	[D3], [JPR], Left, Front, Inner
	1TM49BD3AA	1	J, T		74			*F7	[D3], [JPR], [JKV], Right, Rear, Inner
		2	J, T		74			*UL	[D3], [JTE], [JPM], Right, Rear, Inner
		1	J, T		74			*F7	[X9], [JPR], Right, Rear, Inner
		2	J, T		74			*UL	[XL], [JT2], Left, Rear, Inner
		1	J		74			*GL	[L9], [JT2], Left, Rear, Inner
		1	J, T		74			*F7	[D3], [JPR], Right, Rear, Inner
		2	J, T		74			*GL	[L9], [JT2], Left, Rear, Inner
		2	J, T		74			*DL	[XL], [JT2], [CAJ], [NHS], [SUB], Left, Rear, Inner
		2	U		74			*UL	[XL], [JT2], [NHS], [SUB], Left, Rear, Inner
		2	J, T		74			*UL	[X9], [JTE], [JPM], Left, Rear, Inner
		1	J, T		74			*F7	[D3], [JPR], Left, Rear, Inner
3									BEZEL, Seat Back
	68086185AA	1	J, T		74			*F7	[JPR], [JKV]
		1	J, T		74			*GL	[JT2]
		1	J, T		74			*DL	[JT2], [CAJ], [NHS], [SUB]
		1	J		74			*F7	[JT4]
		1	J		74			*UL	[JT2], [SUB]
	68086360AA	1	J		74			*UL	[JTE], [JPM], [JPZ]
		1	U		74			*GL	[JT2]
		1	U		74			*F7	[JTE], [JPM]
		1	J, T		74			*F7	[JPR]
		1	J, T		74			*UL	[JT2]
		1	J		74			*GL	[JT2]
		1	J		74			*UL	[JT2], [NHS], [SUB]
		1	J		74			*F7	[JT4], [JPM]
		1	J, T		74			*UL	[JTE], [JPM]
		1	U		74			*F7	[JTE]
		1	U		74			*UL	[JT2], [SUB]

GRAND CHEROKEE (WK)

SERIES LINE
H = HIGHLINE T = JEEP - 2WD
P = PREMIUM J = JEEP - 4WD
S = SPORT U = JEEP - 4WD (RHD)

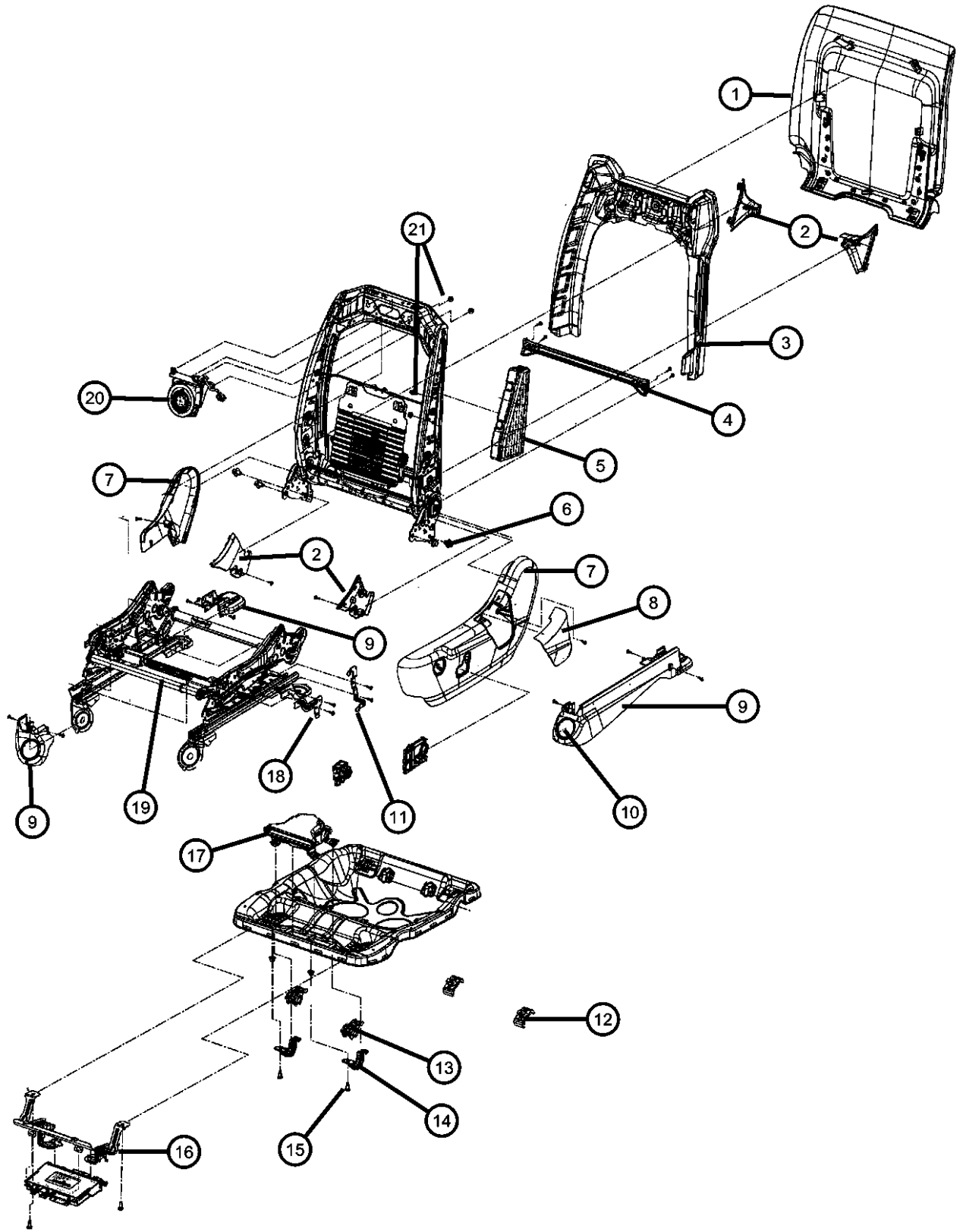
BODY
74 = SPORT UTILITY 4-DR TYPE #4

ENGINE
ERB = 3.0L Mid V6 Engine
EZH = 5.7L V8 HEMI MDS VVT Engine
EXF = 3.0L V6 Turbo Diesel Engine

TRANSMISSION
DGQ = 5-Spd Automatic 545RFE Transmission
DGJ = 5-Speed Auto W5A580 Transmission

AR = use ase required - = Non illustrated part

Adjusters, Recliners and Shields - Driver Seat - Power
Figure 50-905

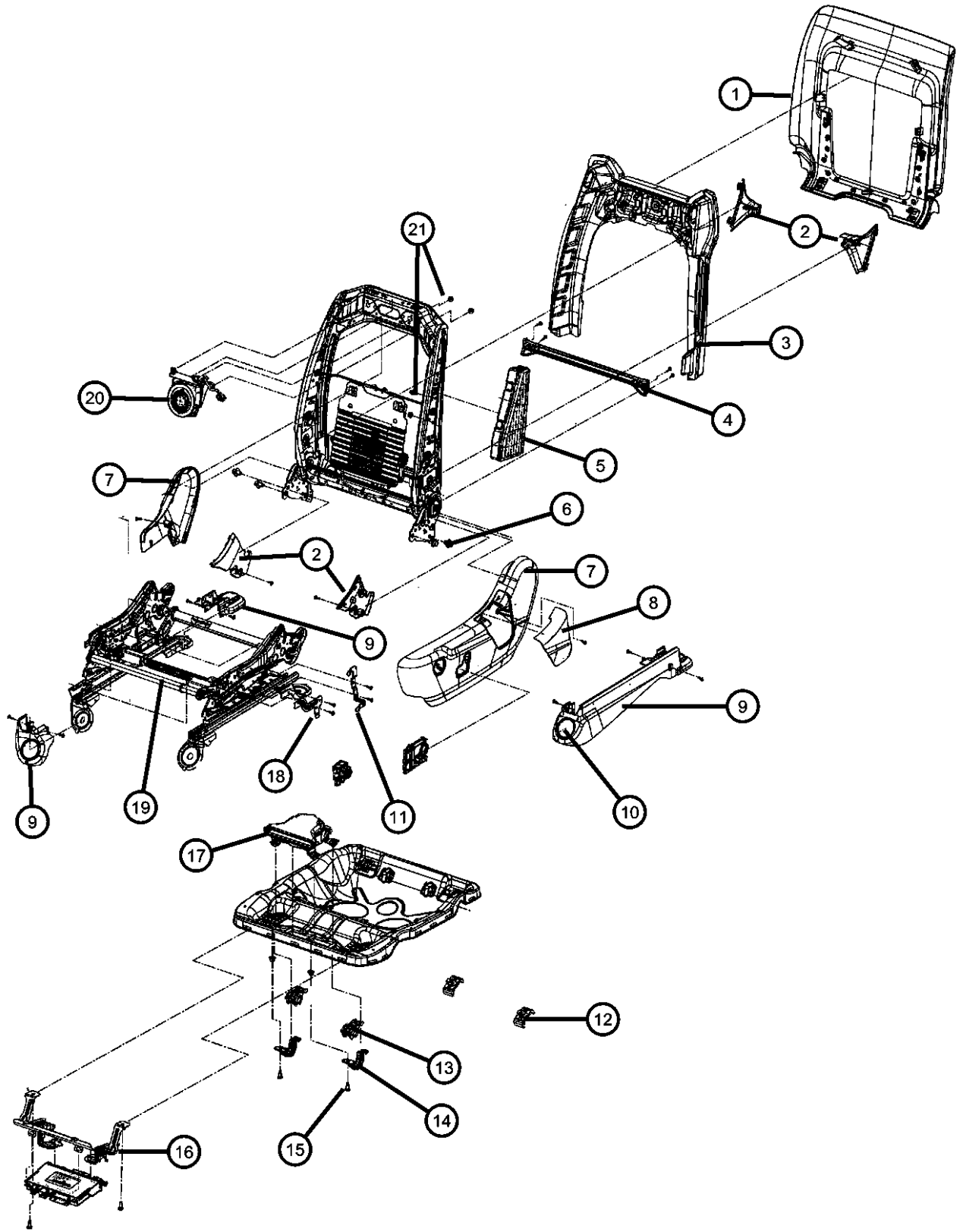


ITEM	PART NUMBER	QTY	LINE	SERIES	BODY	ENGINE	TRANS	TRIM	DESCRIPTION
4									BRACKET, Rear
	68064591AA	2	J, T		74			*F7	[JPR], [JKV]
		2	J, T		74			*GL	[JT2]
		2	J, T		74			*DL	[JT2], [CAJ], [NHS], [SUB]
		2	J, T		74			*UL	[JT2]
		2	J		74			*GL	[JT2]
		2	U		74			*F7	[JTE]
		2	J		74			*UL	[JT2], [NHS], [SUB]
		2	U		74			*GL	[JT2]
		2	J		74			*F7	[JT4]
		2	J		74			*UL	[JT2], [SUB]
		2	U		74			*F7	[JTE], [JPM]
		2	J		74			*UL	[JTE], [JPM], [JPZ]
		2	U		74			*UL	[JT2], [SUB]
		2	U		74			*UL	[JT2], [NHS], [SUB]
		2	J		74			*F7	[JT4], [JPM]
		2	J, T		74			*F7	[JPR]
		2	J, T		74			*UL	[JTE], [JPM]
5									AIR BAG, Seat
	05108022AB	1	U		74			*F7	[JTE]
		1	U		74			*GL	[JT2]
	05108023AB	1	J, T		74			*F7	[JPR], [JKV]
		1	J, T		74			*GL	[JT2]
		1	J, T		74			*DL	[JT2], [CAJ], [NHS], [SUB]
		1	J		74			*F7	[JT4]
		1	J		74			*UL	[JT2], [SUB]
		1	J		74			*UL	[JTE], [JPM], [JPZ]
		1	U		74			*UL	[JT2], [NHS], [SUB]
		1	J, T		74			*F7	[JPR]
		1	U		74			*F7	[JTE], [JPM]
		1	U		74			*UL	[JT2], [SUB]
		1	J, T		74			*UL	[JT2]
		1	J		74			*GL	[JT2]
		1	J		74			*UL	[JT2], [NHS], [SUB]

GRAND CHEROKEE (WK)
 SERIES LINE BODY ENGINE TRANSMISSION
 H = HIGHLINE T = JEEP - 2WD 74 = SPORT UTILITY 4-DR ERB = 3.XL Mid V6 Engine DGQ = 5-Spd Automatic 545RFE
 P = PREMIUM J = JEEP - 4WD TYPE #4 EZH = 5.7L V8 HEMI MDS Transmission
 S = SPORT U = JEEP - 4WD (RHD) EXF = 3.0L V6 Turbo Diesel DGJ = 5-Speed Auto W5A580
 Engine Transmission

AR = use ase required - = Non illustrated part

Adjusters, Recliners and Shields - Driver Seat - Power
Figure 50-905



ITEM	PART NUMBER	QTY	LINE	SERIES	BODY	ENGINE	TRANS	TRIM	DESCRIPTION	
6		1	J		74			*F7	[JT4], [JPM]	
		1	J, T		74			*UL	[JTE], [JPM]	
									BOLT	
	68030698AB	8	J, T		74			*GL	[JT2]	
		8	J, T		74			*DL	[JT2], [CAJ], [NHS], [SUB]	
	68030698AA	8	J, T		74			*F7	[JPR]	
		8	J, T		74			*F7	[JPR], [JKV]	
		8	J		74			*GL	[JT2]	
		8	U		74			*F7	[JTE]	
		8	J		74			*UL	[JT2], [NHS], [SUB]	
		8	J, T		74			*UL	[JT2]	
		8	J		74			*F7	[JT4]	
		8	J		74			*UL	[JT2], [SUB]	
		8	U		74			*F7	[JTE], [JPM]	
		8	U		74			*GL	[JT2]	
		8	U		74			*UL	[JT2], [SUB]	
	7									SHIELD, Seat Adjuster
		1TM291L1AA	1	J		74			*GL	[L9], [JT2], Outboard
		1	J		74			*UL	[XL], [JT2], [NHS], [SUB], Outboard	
		1	J		74			*UL	[XL], [JT2], [SUB], Outboard	
1TM29DX9AA		1	J, T		74			*F7	[X9], [JPR], Outboard	
		1	J, T		74			*F7	[X9], [JPR], [JKV], Outboard	
		1	J, T		74			*GL	[X9], [JT2], Outboard	
		1	J, T		74			*DL	[X9], [JT2], [CAJ], [NHS], [SUB], Outboard	
		1	J, T		74			*UL	[X9], [JT2], Outboard	
		1	J		74			*GL	[X9], [JT2], Outboard	
		1	J		74			*UL	[X9], [JT2], [NHS], [SUB], Outboard	
		1	J		74			*F7	[X9], [JT4], Outboard	
	1	J		74			*UL	[X9], [JT2], [SUB], Outboard		

GRAND CHEROKEE (WK)

SERIES LINE
H = HIGHLINE T = JEEP - 2WD
P = PREMIUM J = JEEP - 4WD
S = SPORT U = JEEP - 4WD (RHD)

BODY
74 = SPORT UTILITY 4-DR
TYPE #4

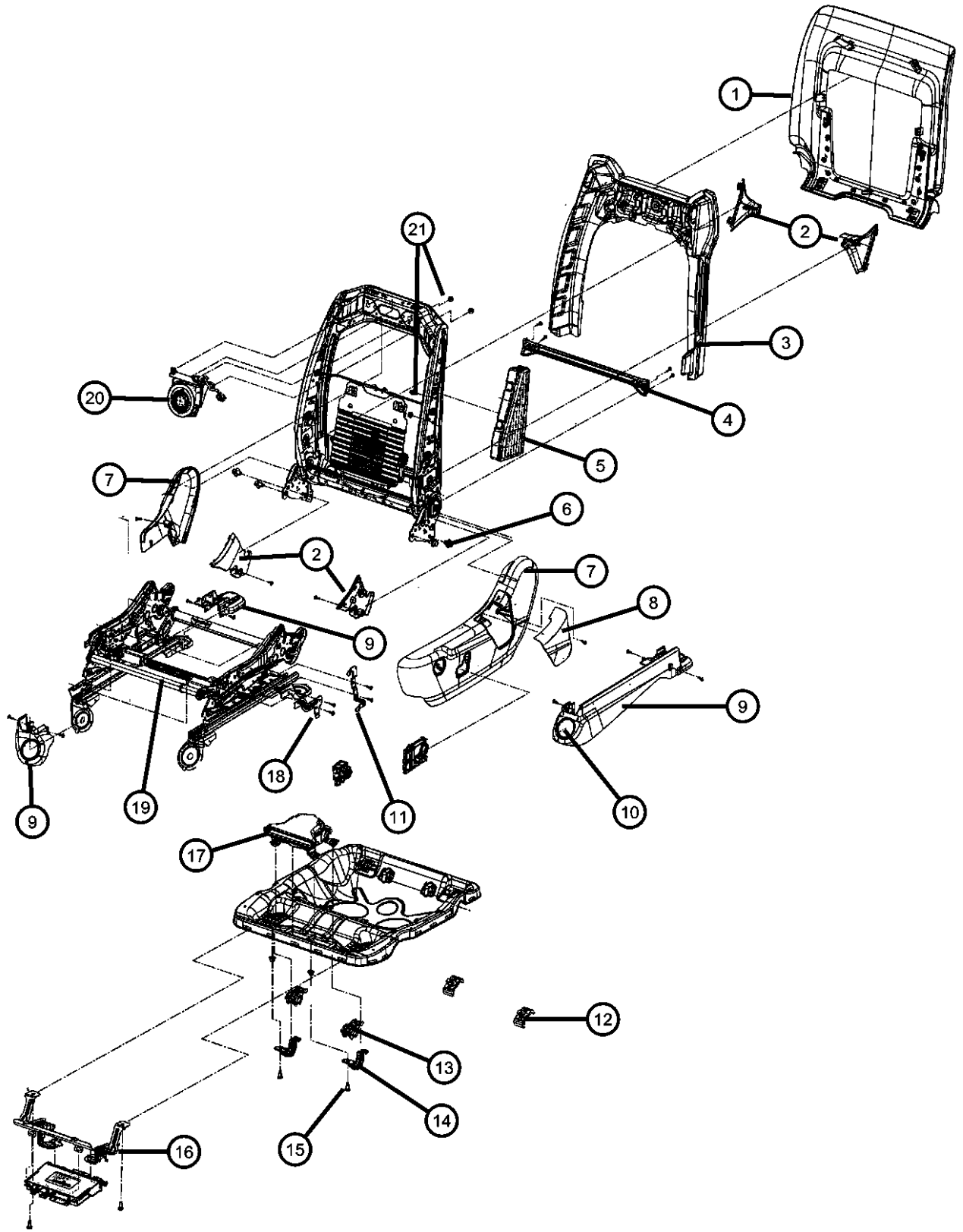
ENGINE
ERB = 3.0L Mid V6 Engine
EZH = 5.7L V8 HEMI MDS
VVT Engine
EXF = 3.0L V6 Turbo Diesel
Engine

TRANSMISSION
DGQ = 5-Spd Automatic 545RFE
Transmission
DGJ = 5-Speed Auto W5A580
Transmission

AR = use ase required - = Non illustrated part

2011 WK

Adjusters, Recliners and Shields - Driver Seat - Power
Figure 50-905



ITEM	PART NUMBER	QTY	LINE	SERIES	BODY	ENGINE	TRANS	TRIM	DESCRIPTION
	1TM311L1AA	1	J, T		74			*DL	[XL], [JT2], [CAJ], [NHS], [SUB], Inboard
		1	J, T		74			*UL	[XL], [JT2], Inboard
		1	J		74			*GL	[L9], [JT2], Inboard
	1TM31BD3AA	1	J, T		74			*F7	[D3], [JPR], [JKV], Inboard
		1	J, T		74			*UL	[D3], [JTE], [JPM], Inboard
	1TM31DX9AA	1	J, T		74			*F7	[X9], [JPR], Inboard
		1	J, T		74			*F7	[X9], [JPR], [JKV], Inboard
		1	J, T		74			*GL	[X9], [JT2], Inboard
		1	J, T		74			*GL	[XT], [JT2], Inboard
		1	J, T		74			*DL	[X9], [JT2], [CAJ], [NHS], [SUB], Inboard
		1	J, T		74			*UL	[X9], [JT2], Inboard
		1	J		74			*GL	[X9], [JT2], Inboard
		1	J		74			*UL	[X9], [JT2], [SUB], Inboard
	1TN35DX9AA	1	U		74			*GL	[X9], [JT2], Inboard
		1	U		74			*F7	[X9], [JTE], [JPM], Inboard
		1	J		74			*UL	[X9], [JTE], [JPM], [JPZ], Inboard
		1	U		74			*UL	[X9], [JT2], [SUB], Inboard
	1TN361L1AA	1	U		74			*UL	[XL], [JT2], [SUB], Outboard
		1	U		74			*UL	[XL], [JT2], [NHS], [SUB], Outboard
	1TN361X9AA	1	U		74			*UL	[X9], [JT2], [SUB], Outboard
		1	U		74			*UL	[X9], [JT2], [NHS], [SUB], Outboard
		1	J, T		74			*DL	[XL], [JT2], [CAJ], [NHS], [SUB], Outboard
		1	J, T		74			*UL	[XL], [JT2], Outboard
		1	J, T		74			*GL	[L9], [JT2], Outboard
	1TM29BD3AA	1	J, T		74			*F7	[D3], [JPR], Outboard
		1	J, T		74			*F7	[D3], [JPR], [JKV], Outboard
		1	J, T		74			*UL	[D3], [JTE], [JPM], Outboard
		1	J		74			*F7	[X9], [JT4], [JPM], Outboard
		1	J, T		74			*UL	[X9], [JTE], [JPM], Outboard
		1	J, T		74			*GL	[L9], [JT2], Inboard
		1	J		74			*UL	[XL], [JT2], [NHS], [SUB], Inboard

GRAND CHEROKEE (WK)

SERIES LINE
H = HIGHLINE T = JEEP - 2WD
P = PREMIUM J = JEEP - 4WD
S = SPORT U = JEEP - 4WD (RHD)

BODY
74 = SPORT UTILITY 4-DR TYPE #4

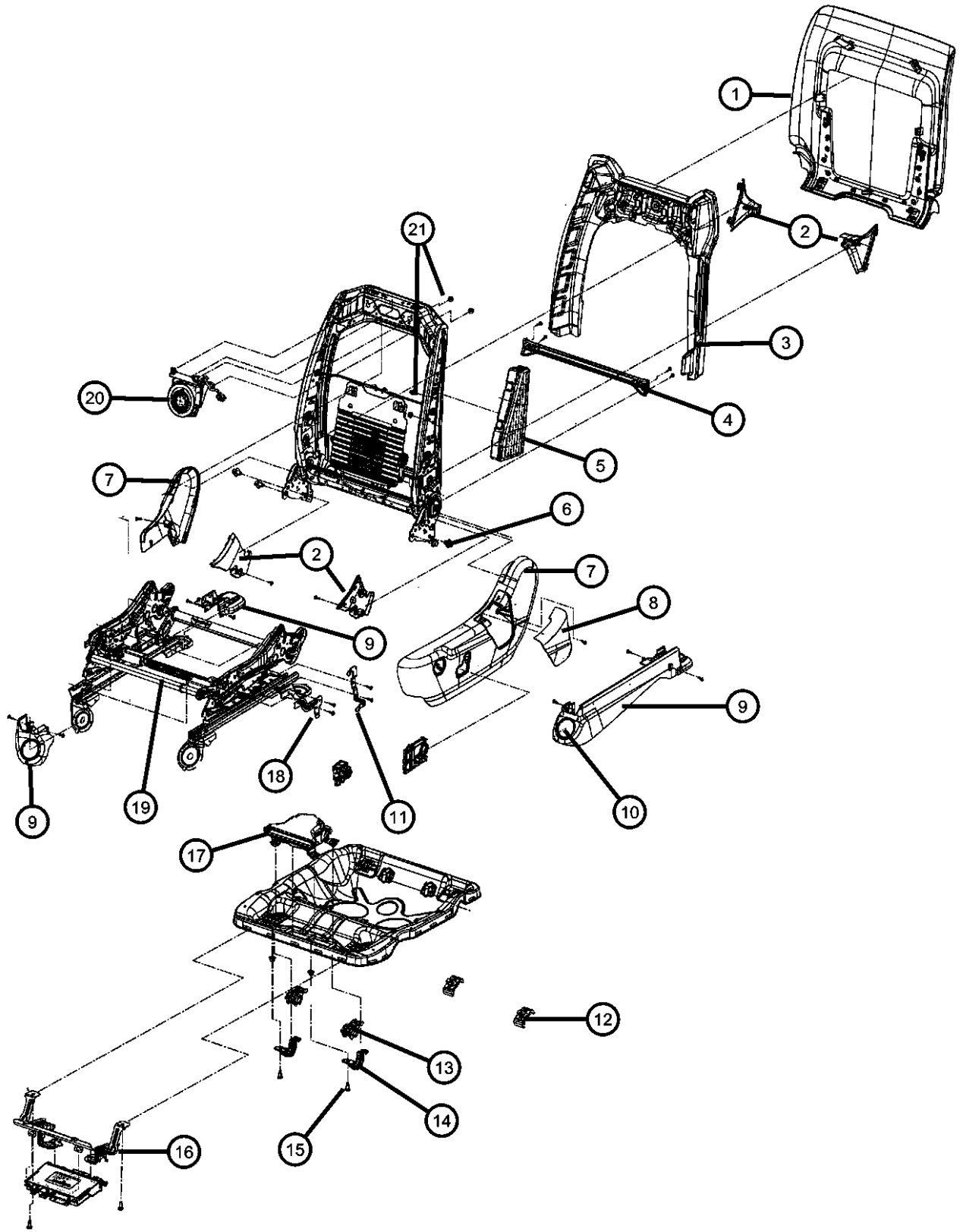
ENGINE
ERB = 3.0L Mid V6 Engine
EZH = 5.7L V8 HEMI MDS VVT Engine
EXF = 3.0L V6 Turbo Diesel Engine

TRANSMISSION
DGQ = 5-Spd Automatic 545RFE Transmission
DGJ = 5-Speed Auto W5A580 Transmission

AR = use ase required - = Non illustrated part

2011 WK

Adjusters, Recliners and Shields - Driver Seat - Power
Figure 50-905

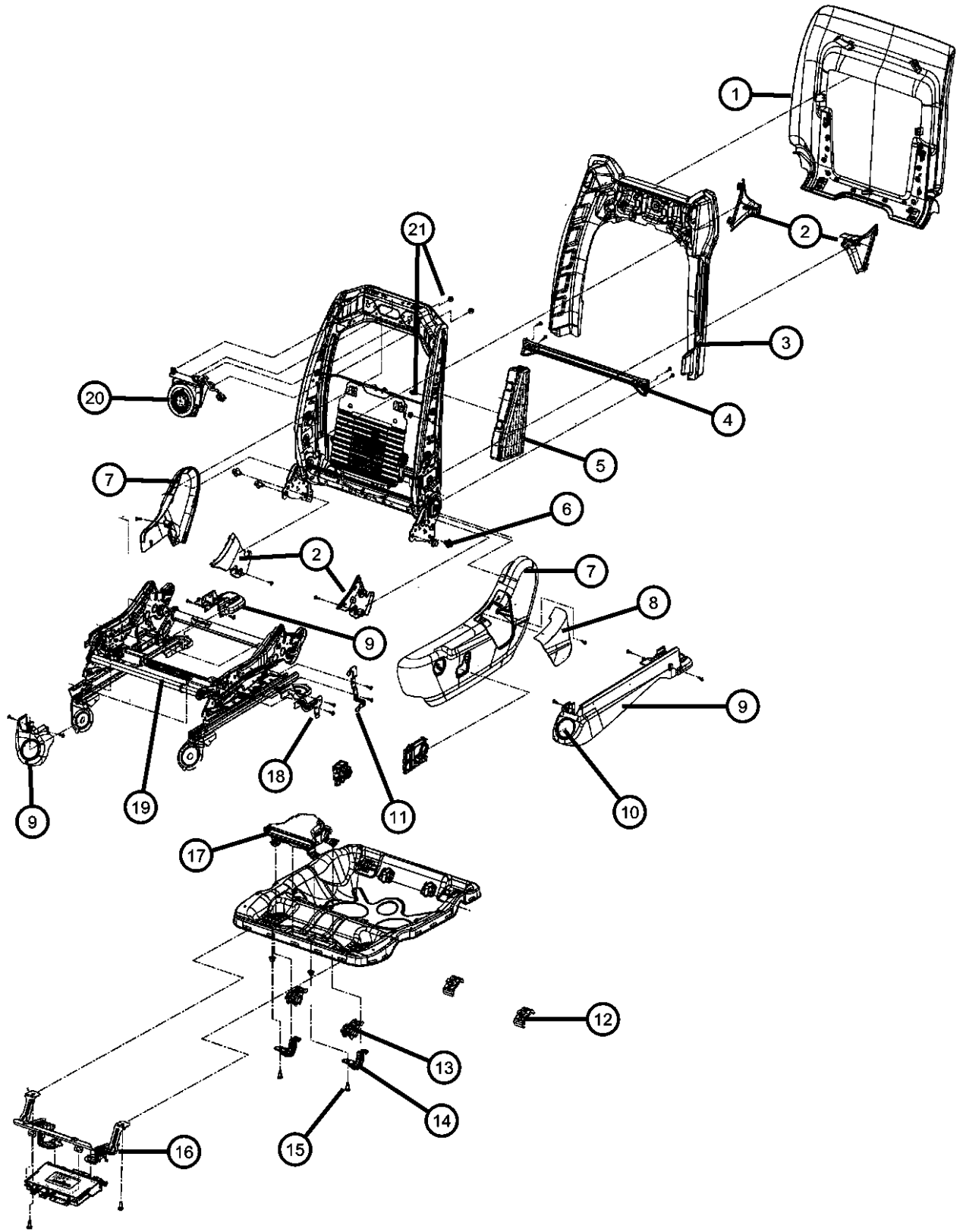


ITEM	PART NUMBER	QTY	LINE	SERIES	BODY	ENGINE	TRANS	TRIM	DESCRIPTION
		1	J		74			*UL	[XL], [JT2], [SUB], Inboard
		1	J		74			*GL	[XT], [JT2], Inboard
		1	J		74			*UL	[X9], [JT2], [NHS], [SUB], Inboard
		1	J		74			*F7	[X9], [JT4], Inboard
		1	J, T		74			*F7	[D3], [JPR], Inboard
	1TN351L1AA	1	U		74			*UL	[XL], [JT2], [NHS], [SUB], Inboard
		1	U		74			*GL	[L9], [JT2], Inboard
		1	U		74			*UL	[XL], [JT2], [SUB], Inboard
		1	J		74			*F7	[X9], [JT4], [JPM], Inboard
		1	U		74			*F7	[X9], [JTE], Inboard
		1	U		74			*UL	[X9], [JT2], [NHS], [SUB], Inboard
		1	U		74			*GL	[X9], [JT2], Outboard
		1	U		74			*F7	[X9], [JTE], [JPM], Outboard
		1	J		74			*UL	[X9], [JTE], [JPM], [JPZ], Outboard
		1	U		74			*GL	[L9], [JT2], Outboard
		1	U		74			*F7	[X9], [JTE], Outboard
8									COVER, Seat Belt Anchor
	1GS461L1AD	1	U		74			*UL	[XL], [JT2], [NHS], [SUB]
	1GS471L1AD	1	J, T		74			*GL	[L9], [JT2]
		1	J, T		74			*DL	[XL], [JT2], [CAJ], [NHS], [SUB]
		1	J, T		74			*UL	[XL], [JT2]
		1	J		74			*GL	[L9], [JT2]
		1	J		74			*UL	[XL], [JT2], [NHS], [SUB]
		1	J		74			*UL	[XL], [JT2], [SUB]
	1GS47BD3AD	1	J, T		74			*F7	[D3], [JPR]
		1	J, T		74			*UL	[D3], [JTE], [JPM]
	1GS47DX9AD	1	J, T		74			*F7	[X9], [JPR]
		1	J, T		74			*F7	[XT], [JPR]
		1	J, T		74			*UL	[X9], [JT2]
		1	J		74			*GL	[X9], [JT2]
		1	J		74			*UL	[X9], [JT2], [NHS], [SUB]
		1	J		74			*F7	[X9], [JT4]

GRAND CHEROKEE (WK)
 SERIES LINE BODY ENGINE TRANSMISSION
 H = HIGHLINE T = JEEP - 2WD 74 = SPORT UTILITY 4-DR ERB = 3.XL Mid V6 Engine DGQ = 5-Spd Automatic 545RFE
 P = PREMIUM J = JEEP - 4WD TYPE #4 EZH = 5.7L V8 HEMI MDS Transmission
 S = SPORT U = JEEP - 4WD (RHD) EXF = 3.0L V6 Turbo Diesel DGJ = 5-Speed Auto W5A580
 Engine Transmission

AR = use ase required - = Non illustrated part

Adjusters, Recliners and Shields - Driver Seat - Power
Figure 50-905



ITEM	PART NUMBER	QTY	LINE	SERIES	BODY	ENGINE	TRANS	TRIM	DESCRIPTION
		1	J		74			*F7	[X9], [JT4], [JPM]
		1	J, T		74			*UL	[X9], [JTE], [JPM]
	1GS47HL1AD	1	J, T		74			*F7	[L9], [JPR]
		1	J, T		74			*F7	[XL], [JPR]
		1	U		74			*GL	[L9], [JT2]
	1GS46DX9AD	1	U		74			*UL	[XL], [JT2], [SUB]
		1	U		74			*UL	[X9], [JT2], [SUB]
		1	U		74			*GL	[X9], [JT2]
		1	U		74			*F7	[X9], [JTE], [JPM]
		1	U		74			*F7	[X9], [JTE]
		1	J, T		74			*GL	[X9], [JT2]
		1	J, T		74			*DL	[X9], [JT2], [CAJ], [NHS], [SUB]
		1	J		74			*UL	[X9], [JT2], [SUB]
		1	J		74			*UL	[X9], [JTE], [JPM], [JPZ]
9									SHIELD, Seat Adjuster, Riser Cover
	1TM33DX9AA	1	U		74			*GL	[XT], [JT2], Front, Inboard
		1	U		74			*F7	[X9], [JTE], [JPM], Front, Inboard
	1TM341L1AA	1	J		74			*GL	[L9], [JT2], Front, Inboard
		1	J		74			*UL	[XL], [JT2], [NHS], [SUB], Front, Inboard
		1	J		74			*UL	[XL], [JT2], [SUB], Front, Inboard
	1TM34DX9AA	1	J, T		74			*F7	[X9], [JPR], Front, Inboard
		1	J, T		74			*F7	[X9], [JPR], [JKV], Front, Inboard
		1	J, T		74			*GL	[X9], [JT2], Front, Inboard
		1	J, T		74			*GL	[XT], [JT2], Front, Inboard
		1	J, T		74			*DL	[X9], [JT2], [CAJ], [NHS], [SUB], Front, Inboard
		1	J, T		74			*UL	[X9], [JT2], Front, Inboard
		1	J		74			*GL	[X9], [JT2], Front, Inboard
		1	J		74			*GL	[XT], [JT2], Front, Inboard
		1	J		74			*UL	[X9], [JT2], [NHS], [SUB], Front, Inboard
		1	J		74			*F7	[X9], [JT4], [JPM], Front, Inboard
		1	J, T		74			*UL	[X9], [JTE], [JPM], Front, Inboard

GRAND CHEROKEE (WK)

SERIES LINE
H = HIGHLINE T = JEEP - 2WD
P = PREMIUM J = JEEP - 4WD
S = SPORT U = JEEP - 4WD (RHD)

BODY
74 = SPORT UTILITY 4-DR
TYPE #4

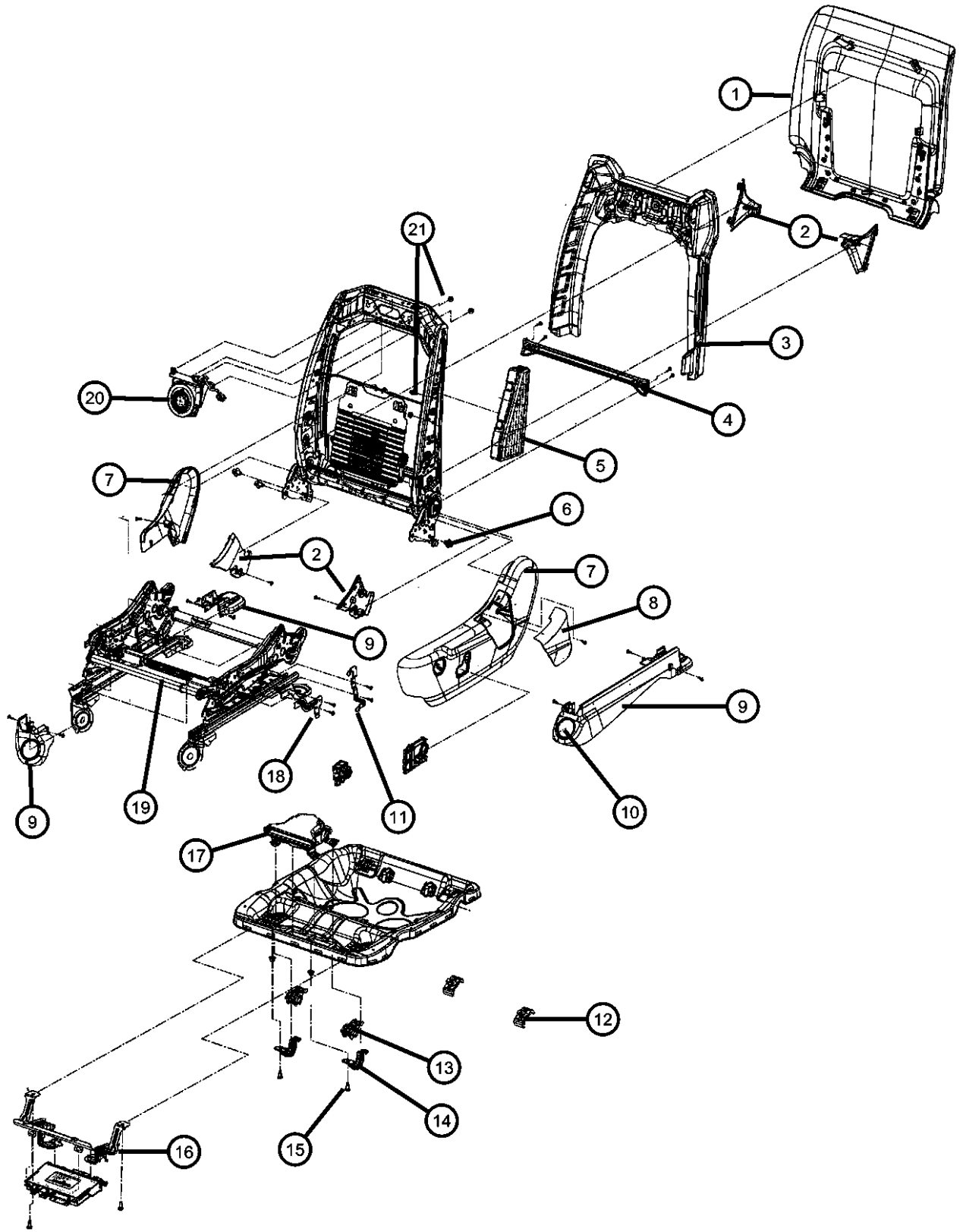
ENGINE
ERB = 3.0L Mid V6 Engine
EZH = 5.7L V8 HEMI MDS
VVT Engine
EXF = 3.0L V6 Turbo Diesel
Engine

TRANSMISSION
DGQ = 5-Spd Automatic 545RFE
Transmission
DGJ = 5-Speed Auto W5A580
Transmission

AR = use ase required - = Non illustrated part

2011 WK

Adjusters, Recliners and Shields - Driver Seat - Power
Figure 50-905



ITEM	PART NUMBER	QTY	LINE	SERIES	BODY	ENGINE	TRANS	TRIM	DESCRIPTION
	1TM35DX9AA	1	U		74			*GL	[X9], [JT2], Rear, Inboard
		1	U		74			*GL	[XT], [JT2], Rear, Inboard
	1TM361L1AA	1	J, T		74			*DL	[XL], [JT2], [CAJ], [NHS], [SUB], Rear, Inboard
		1	J, T		74			*UL	[XL], [JT2], Rear, Inboard
		1	J		74			*GL	[L9], [JT2], Rear, Inboard
	1TM36BD3AA	1	J, T		74			*F7	[D3], [JPR], [JKV], Rear, Inboard
		1	J, T		74			*UL	[D3], [JTE], [JPM], Rear, Inboard
	1TM36DX9AA	1	J, T		74			*F7	[X9], [JPR], Rear, Inboard
		1	J, T		74			*F7	[X9], [JPR], [JKV], Rear, Inboard
		1	J, T		74			*GL	[X9], [JT2], Rear, Inboard
		1	J, T		74			*GL	[XT], [JT2], Rear, Inboard
		1	J, T		74			*DL	[X9], [JT2], [CAJ], [NHS], [SUB], Rear, Inboard
		1	J, T		74			*UL	[X9], [JT2], Rear, Inboard
		1	J		74			*GL	[X9], [JT2], Rear, Inboard
		1	J		74			*UL	[X9], [JT2], [SUB], Rear, Inboard
		1	J		74			*UL	[X9], [JTE], [JPM], [JPZ], Rear, Inboard
		1	J		74			*F7	[X9], [JT4], [JPM], Rear, Inboard
	1TM371L1AA	1	U		74			*UL	[XL], [JT2], [NHS], [SUB], Outboard
	1TM37DX9AA	1	U		74			*UL	[X9], [JT2], [NHS], [SUB], Outboard
	1TM381L1AA	1	J		74			*UL	[XL], [JT2], [SUB], Outboard
	1TM38DX9AA	1	J, T		74			*GL	[X9], [JT2], Outboard
		1	J, T		74			*GL	[XT], [JT2], Outboard
		1	J, T		74			*DL	[X9], [JT2], [CAJ], [NHS], [SUB], Outboard
		1	J, T		74			*UL	[X9], [JT2], Outboard
		1	J		74			*GL	[X9], [JT2], Outboard
		1	J		74			*GL	[XT], [JT2], Outboard
		1	J		74			*UL	[X9], [JT2], [NHS], [SUB], Outboard
		1	J		74			*F7	[X9], [JT4], Outboard
	1TM331L1AA	1	U		74			*UL	[XL], [JT2], [NHS], [SUB], Front, Inboard
		1	U		74			*F7	[X9], [JTE], Front, Inboard

GRAND CHEROKEE (WK)

SERIES LINE
H = HIGHLINE T = JEEP - 2WD
P = PREMIUM J = JEEP - 4WD
S = SPORT U = JEEP - 4WD (RHD)

BODY
74 = SPORT UTILITY 4-DR TYPE #4

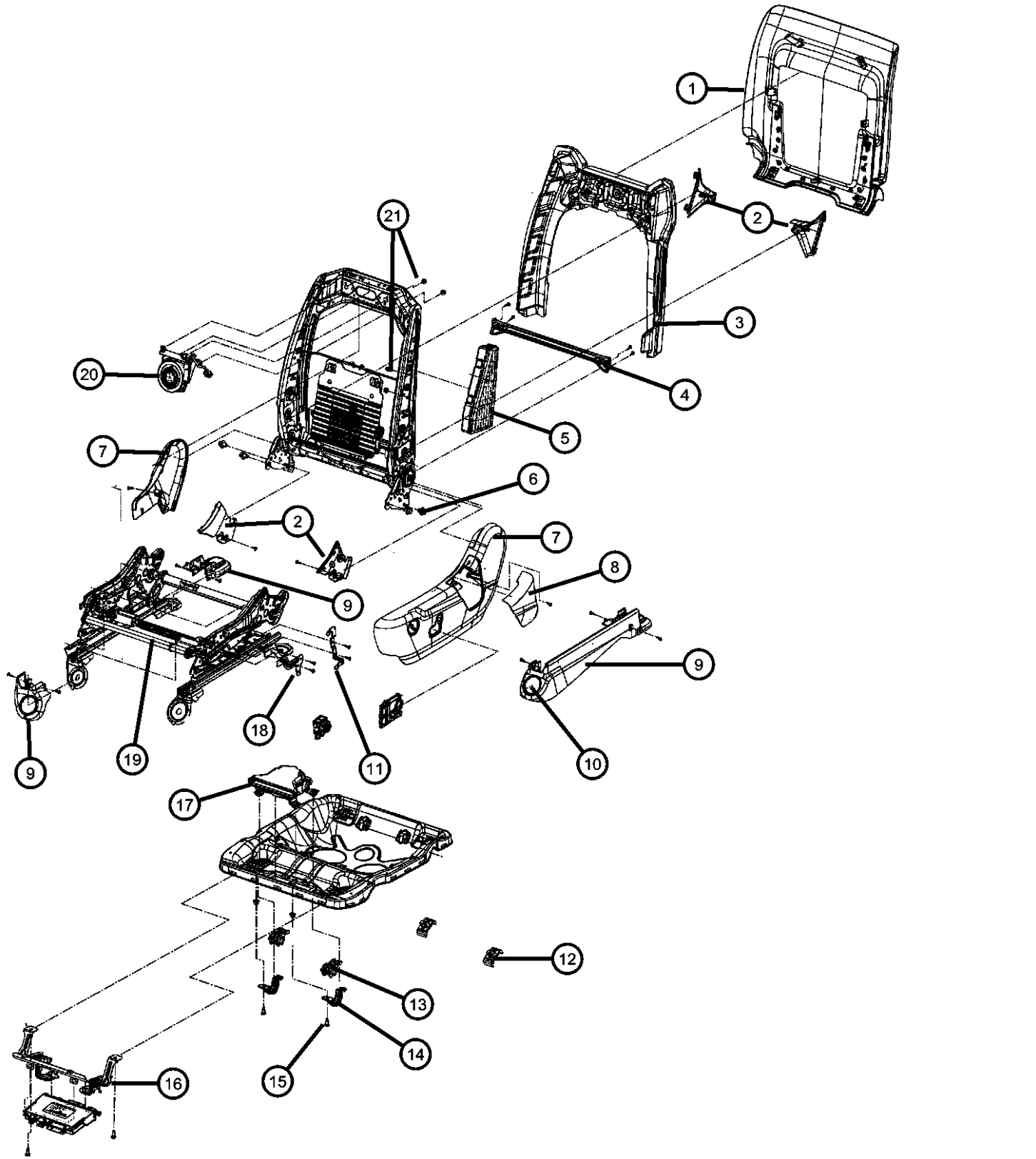
ENGINE
ERB = 3.0L Mid V6 Engine
EZH = 5.7L V8 HEMI MDS VVT Engine
EXF = 3.0L V6 Turbo Diesel Engine

TRANSMISSION
DGQ = 5-Spd Automatic 545RFE Transmission
DGJ = 5-Speed Auto W5A580 Transmission

AR = use ase required - = Non illustrated part

2011 WK

Adjusters, Recliners and Shields - Driver Seat - Power
Figure 50-905



ITEM	PART NUMBER	QTY	LINE	SERIES	BODY	ENGINE	TRANS	TRIM	DESCRIPTION
		1	U		74			*GL	[X9], [JT2], Front, Inboard
		1	U		74			*GL	[L9], [JT2], Front, Inboard
		1	J, T		74			*DL	[XL], [JT2], [CAJ], [NHS], [SUB], Front, Inboard
		1	J, T		74			*UL	[XL], [JT2], Front, Inboard
		1	U		74			*UL	[X9], [JT2], [NHS], [SUB], Front, Inboard
		1	J, T		74			*GL	[L9], [JT2], Front, Inboard
	1TM34BD3AA	1	J, T		74			*F7	[D3], [JPR], Front, Inboard
		1	J, T		74			*F7	[D3], [JPR], [JKV], Front, Inboard
		1	J, T		74			*UL	[D3], [JTE], [JPM], Front, Inboard
		1	J		74			*UL	[X9], [JT2], [SUB], Front, Inboard
		1	J		74			*UL	[X9], [JTE], [JPM], [JPZ], Front, Inboard
		1	J		74			*F7	[X9], [JT4], Front, Inboard
	1TM351L1AA	1	U		74			*UL	[XL], [JT2], [NHS], [SUB], Rear, Inboard
		1	U		74			*GL	[L9], [JT2], Rear, Inboard
		1	U		74			*UL	[XL], [JT2], [SUB], Rear, Inboard
		1	U		74			*F7	[X9], [JTE], Rear, Inboard
		1	U		74			*UL	[X9], [JT2], [NHS], [SUB], Rear, Inboard
		1	U		74			*F7	[X9], [JTE], [JPM], Rear, Inboard
		1	U		74			*UL	[X9], [JT2], [SUB], Rear, Inboard
		1	J, T		74			*GL	[L9], [JT2], Rear, Inboard
		1	J		74			*UL	[XL], [JT2], [NHS], [SUB], Rear, Inboard
		1	J		74			*UL	[XL], [JT2], [SUB], Rear, Inboard
		1	J		74			*GL	[XT], [JT2], Rear, Inboard
		1	J		74			*UL	[X9], [JT2], [NHS], [SUB], Rear, Inboard
		1	J		74			*F7	[X9], [JT4], Rear, Inboard
		1	J, T		74			*F7	[D3], [JPR], Rear, Inboard
		1	J, T		74			*UL	[X9], [JTE], [JPM], Rear, Inboard
		1	U		74			*GL	[L9], [JT2], Outboard
		1	U		74			*UL	[XL], [JT2], [SUB], Outboard
		1	U		74			*F7	[X9], [JTE], [JPM], Outboard
		1	U		74			*UL	[X9], [JT2], [SUB], Outboard

GRAND CHEROKEE (WK)

SERIES LINE
H = HIGHLINE T = JEEP - 2WD
P = PREMIUM J = JEEP - 4WD
S = SPORT U = JEEP - 4WD (RHD)

BODY
74 = SPORT UTILITY 4-DR TYPE #4

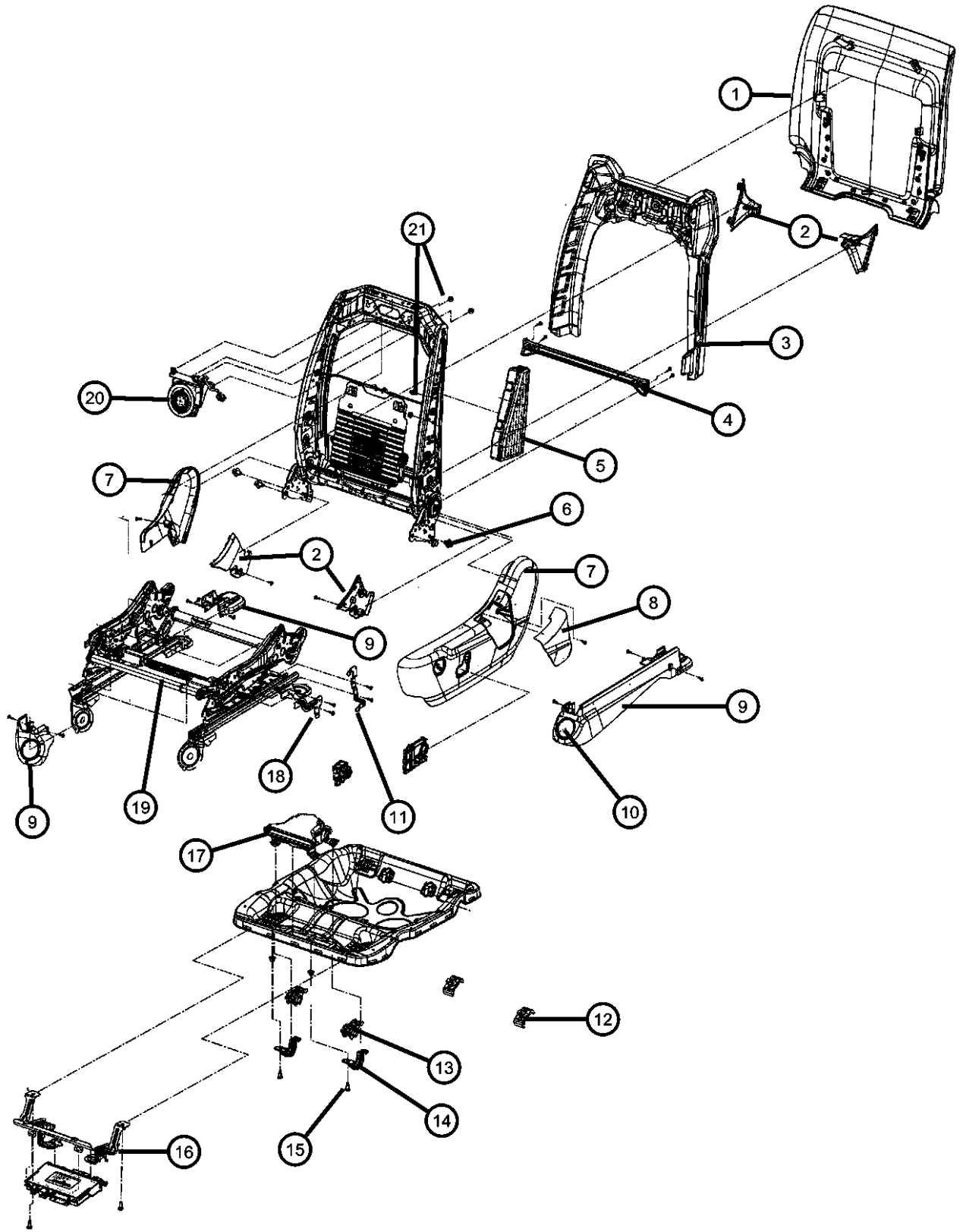
ENGINE
ERB = 3.0L Mid V6 Engine
EZH = 5.7L V8 HEMI MDS VVT Engine
EXF = 3.0L V6 Turbo Diesel Engine

TRANSMISSION
DGQ = 5-Spd Automatic 545RFE Transmission
DGJ = 5-Speed Auto W5A580 Transmission

AR = use ase required - = Non illustrated part

2011 WK

Adjusters, Recliners and Shields - Driver Seat - Power
Figure 50-905



ITEM	PART NUMBER	QTY	LINE	SERIES	BODY	ENGINE	TRANS	TRIM	DESCRIPTION
		1	U		74			*GL	[X9], [JT2], Outboard
		1	U		74			*GL	[XT], [JT2], Outboard
		1	U		74			*F7	[X9], [JTE], Outboard
		1	J, T		74			*UL	[XL], [JT2], Outboard
		1	J		74			*GL	[L9], [JT2], Outboard
		1	J		74			*UL	[XL], [JT2], [NHS], [SUB], Outboard
		1	J, T		74			*GL	[L9], [JT2], Outboard
		1	J, T		74			*DL	[XL], [JT2], [CAJ], [NHS], [SUB], Outboard
	1TM38BD3AA	1	J, T		74			*UL	[D3], [JTE], [JPM], Outboard
		1	J, T		74			*F7	[X9], [JPR], Outboard
		1	J, T		74			*F7	[X9], [JPR], [JKV], Outboard
		1	J		74			*F7	[X9], [JT4], [JPM], Outboard
		1	J, T		74			*UL	[X9], [JTE], [JPM], Outboard
		1	J		74			*UL	[X9], [JT2], [SUB], Outboard
		1	J		74			*UL	[X9], [JTE], [JPM], [JPZ], Outboard
		1	J, T		74			*F7	[D3], [JPR], Outboard
		1	J, T		74			*F7	[D3], [JPR], [JKV], Outboard
10									COVER
	1GR40BD3AB	4	J, T		74			*UL	[D3], [JTE], [JPM]
	1GR40DX9AB	4	J, T		74			*F7	[X9], [JPR]
		4	J, T		74			*F7	[X9], [JPR], [JKV]
		4	J, T		74			*GL	[X9], [JT2]
		4	J, T		74			*GL	[XT], [JT2]
		4	J, T		74			*DL	[X9], [JT2], [CAJ], [NHS], [SUB]
		4	J, T		74			*UL	[X9], [JT2]
		4	J		74			*GL	[X9], [JT2]
		4	J		74			*GL	[XT], [JT2]
		1	U		74			*F7	[X9], [JTE]
		4	J		74			*UL	[X9], [JT2], [NHS], [SUB]
		4	U		74			*GL	[X9], [JT2]
		4	U		74			*GL	[XT], [JT2]
		4	J		74			*F7	[X9], [JT4]
		4	J		74			*UL	[X9], [JT2], [SUB]

GRAND CHEROKEE (WK)
 SERIES LINE
 H = HIGHLINE T = JEEP - 2WD
 P = PREMIUM J = JEEP - 4WD
 S = SPORT U = JEEP - 4WD (RHD)

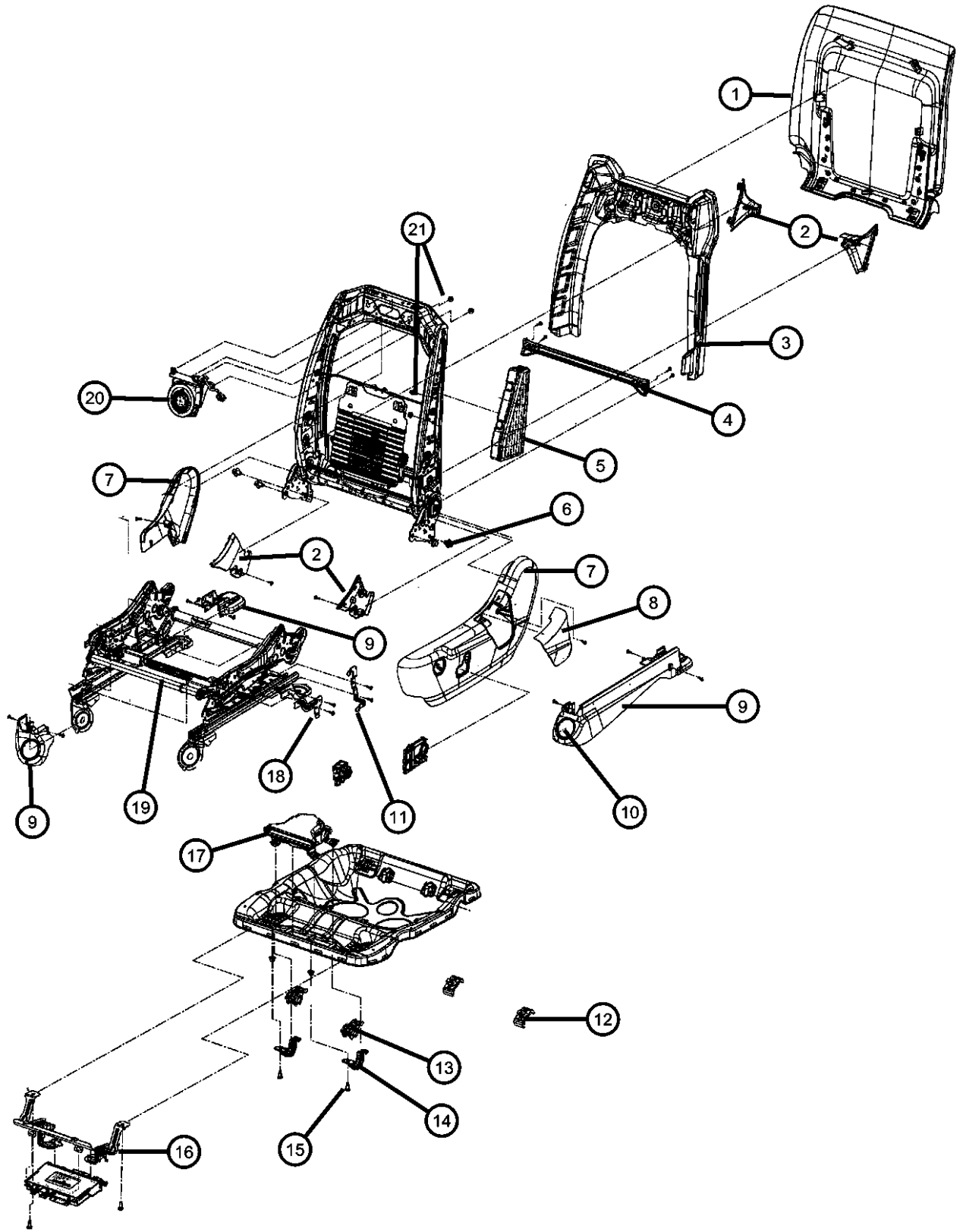
BODY
 74 = SPORT UTILITY 4-DR
 TYPE #4

ENGINE
 ERB = 3.0L Mid V6 Engine
 EZH = 5.7L V8 HEMI MDS
 VVT Engine
 EXF = 3.0L V6 Turbo Diesel
 Engine

TRANSMISSION
 DGQ = 5-Spd Automatic 545RFE
 Transmission
 DGJ = 5-Speed Auto W5A580
 Transmission

AR = use ase required - = Non illustrated part

Adjusters, Recliners and Shields - Driver Seat - Power
Figure 50-905



ITEM	PART NUMBER	QTY	LINE	SERIES	BODY	ENGINE	TRANS	TRIM	DESCRIPTION
		4	U		74			*F7	[X9], [JTE], [JPM]
		4	J		74			*UL	[X9], [JTE], [JPM], [JPZ]
		4	U		74			*UL	[X9], [JT2], [SUB]
	1GR401L1AB	4	U		74			*GL	[L9], [JT2]
		4	J		74			*UL	[XL], [JT2], [SUB]
		4	U		74			*UL	[XL], [JT2], [SUB]
		4	U		74			*UL	[XL], [JT2], [NHS], [SUB]
		4	J, T		74			*F7	[D3], [JPR]
		4	J, T		74			*F7	[D3], [JPR], [JKV]
		4	U		74			*UL	[X9], [JT2], [NHS], [SUB]
		4	J		74			*F7	[X9], [JT4], [JPM]
		4	J, T		74			*UL	[X9], [JTE], [JPM]
		4	J		74			*UL	[XL], [JT2], [NHS], [SUB]
		4	J, T		74			*GL	[L9], [JT2]
		4	J, T		74			*DL	[XL], [JT2], [CAJ], [NHS], [SUB]
		4	J, T		74			*UL	[XL], [JT2]
		4	J		74			*GL	[L9], [JT2]
11									BRACKET, Seat, Center Shield Attaching
	68086188AA	1	J, T		74			*F7	[JPR], [JKV]
		1	J, T		74			*F7	[JPR]
		1	J, T		74			*DL	[JT2], [CAJ], [NHS], [SUB]
		1	J, T		74			*GL	[JT2]
		1	J, T		74			*UL	[JT2]
		1	U		74			*F7	[JTE]
		1	J		74			*UL	[JT2], [NHS], [SUB]
		1	J		74			*GL	[JT2]
		1	J		74			*F7	[JT4]
		1	J		74			*UL	[JT2], [SUB]
		1	U		74			*GL	[JT2]
		1	J		74			*UL	[JTE], [JPM], [JPZ]
		1	U		74			*UL	[JT2], [SUB]
		1	U		74			*F7	[JTE], [JPM]
		1	J		74			*F7	[JT4], [JPM]

GRAND CHEROKEE (WK)

SERIES LINE
H = HIGHLINE T = JEEP - 2WD
P = PREMIUM J = JEEP - 4WD
S = SPORT U = JEEP - 4WD (RHD)

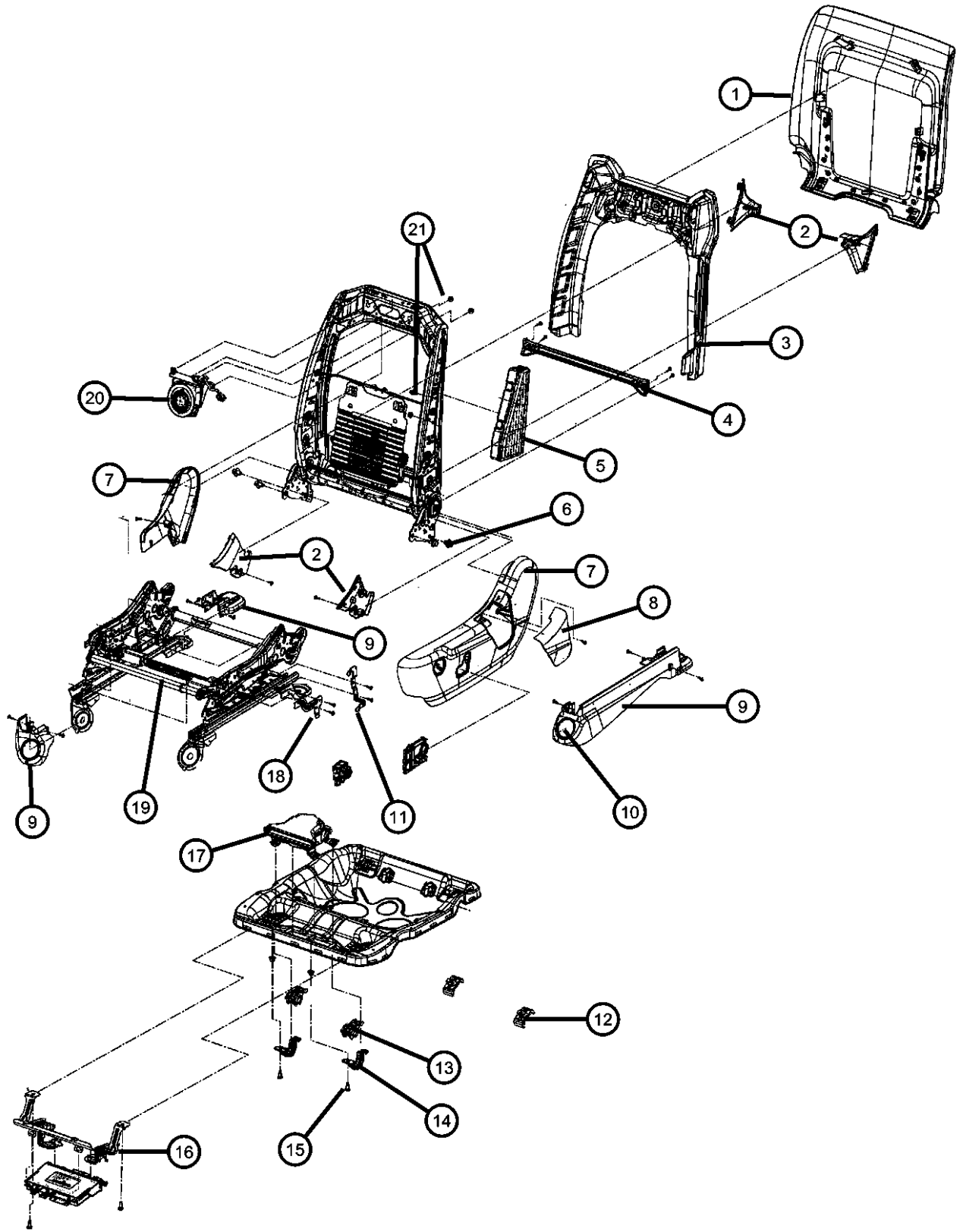
BODY
74 = SPORT UTILITY 4-DR TYPE #4

ENGINE
ERB = 3.0L Mid V6 Engine
EZH = 5.7L V8 HEMI MDS VVT Engine
EXF = 3.0L V6 Turbo Diesel Engine

TRANSMISSION
DGQ = 5-Spd Automatic 545RFE Transmission
DGJ = 5-Speed Auto W5A580 Transmission

AR = use ase required - = Non illustrated part

Adjusters, Recliners and Shields - Driver Seat - Power
Figure 50-905



ITEM	PART NUMBER	QTY	LINE	SERIES	BODY	ENGINE	TRANS	TRIM	DESCRIPTION
		1	J, T		74			*UL	[JTE], [JPM]
		1	U		74			*UL	[JT2], [NHS], [SUB]
12									SUPPORT, Rear Seat
	04610343AA	4	J, T		74			*GL	[JT2]
		4	J, T		74			*DL	[JT2], [CAJ], [NHS], [SUB]
		4	J, T		74			*F7	[JPR]
		4	J, T		74			*F7	[JPR], [JKV]
		4	J, T		74			*UL	[JT2]
		4	J		74			*GL	[JT2]
		4	U		74			*F7	[JTE]
		4	J		74			*UL	[JT2], [NHS], [SUB]
		4	U		74			*GL	[JT2]
		4	J		74			*F7	[JT4]
		4	J		74			*UL	[JT2], [SUB]
		4	U		74			*F7	[JTE], [JPM]
		4	J		74			*UL	[JTE], [JPM], [JPZ]
		4	U		74			*UL	[JT2], [SUB]
		4	U		74			*UL	[JT2], [NHS], [SUB]
		4	J		74			*F7	[JT4], [JPM]
		4	J, T		74			*UL	[JTE], [JPM]
13									BRACKET, Seat, Hinged Spacer
	04610341AA	4	J, T		74			*F7	[JPR]
		4	J, T		74			*F7	[JPR], [JKV]
		4	J, T		74			*GL	[JT2]
		4	J, T		74			*DL	[JT2], [CAJ], [NHS], [SUB]
		4	J, T		74			*UL	[JT2]
		4	J		74			*GL	[JT2]
		4	U		74			*F7	[JTE]
		4	J		74			*UL	[JT2], [NHS], [SUB]
		4	U		74			*GL	[JT2]
		4	J		74			*F7	[JT4]
		4	J		74			*UL	[JT2], [SUB]
		4	U		74			*F7	[JTE], [JPM]
		4	J		74			*UL	[JTE], [JPM], [JPZ]

GRAND CHEROKEE (WK)
 SERIES LINE
 H = HIGHLINE T = JEEP - 2WD
 P = PREMIUM J = JEEP - 4WD
 S = SPORT U = JEEP - 4WD (RHD)

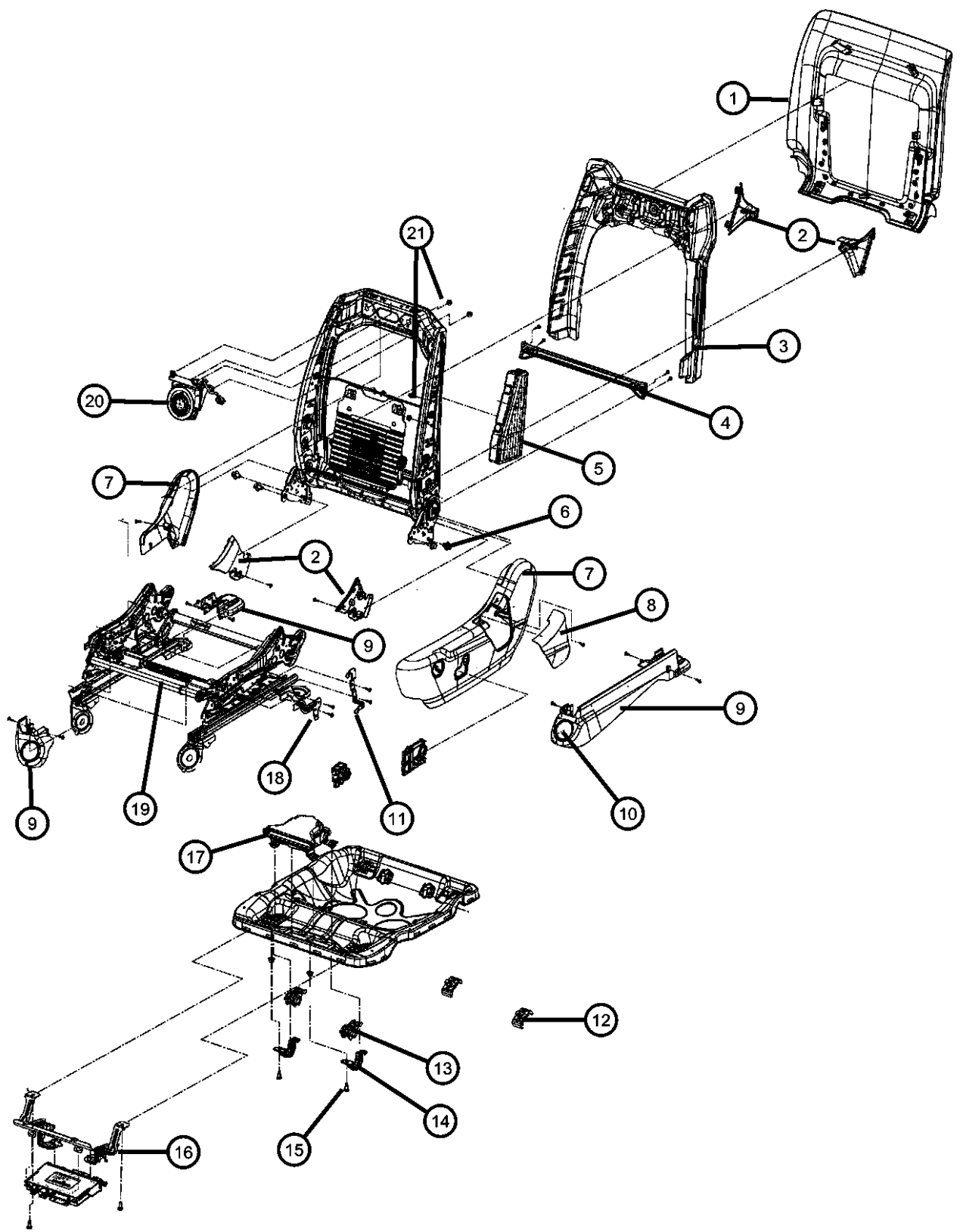
BODY
 74 = SPORT UTILITY 4-DR TYPE #4

ENGINE
 ERB = 3.0L Mid V6 Engine
 EZH = 5.7L V8 HEMI MDS VVT Engine
 EXF = 3.0L V6 Turbo Diesel Engine

TRANSMISSION
 DGQ = 5-Spd Automatic 545RFE Transmission
 DGJ = 5-Speed Auto W5A580 Transmission

AR = use ase required - = Non illustrated part

Adjusters, Recliners and Shields - Driver Seat - Power
Figure 50-905



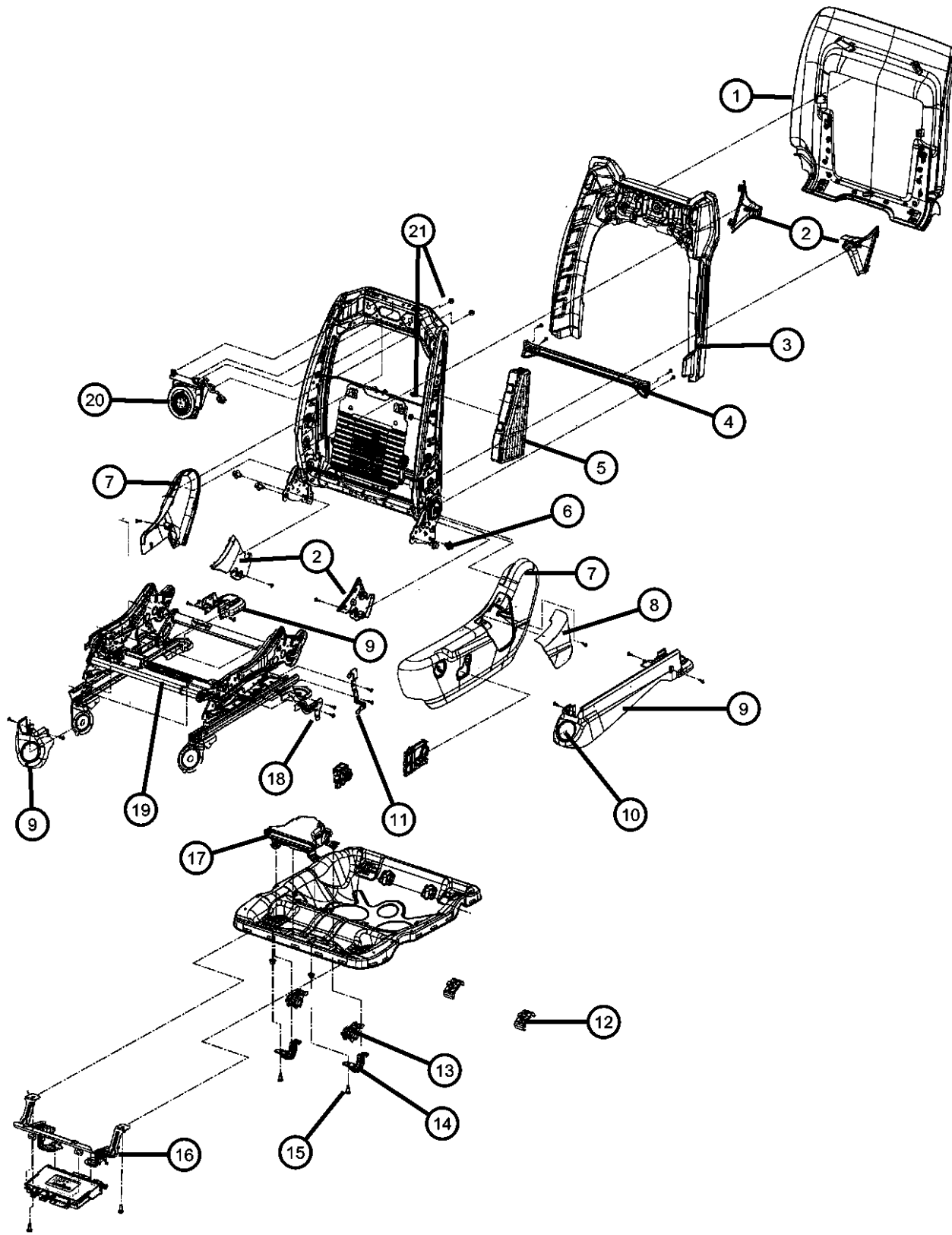
ITEM	PART NUMBER	QTY	LINE	SERIES	BODY	ENGINE	TRANS	TRIM	DESCRIPTION	
14	04610345AA	4	U		74			*UL	[JT2], [SUB]	
		4	U		74			*UL	[JT2], [NHS], [SUB]	
		4	J		74			*F7	[JT4], [JPM]	
		4	J, T		74			*UL	[JTE], [JPM]	
										CLAMP, Front
		4	J, T		74			*GL	[JT2]	
		4	J, T		74			*DL	[JT2], [CAJ], [NHS], [SUB]	
		4	J, T		74			*UL	[JT2]	
		4	J		74			*GL	[JT2]	
		4	U		74			*F7	[JTE]	
		4	J		74			*UL	[JT2], [NHS], [SUB]	
		4	U		74			*GL	[JT2]	
		4	J		74			*F7	[JT4]	
		4	J		74			*UL	[JT2], [SUB]	
		4	U		74			*F7	[JTE], [JPM]	
		4	J		74			*UL	[JTE], [JPM], [JPZ]	
		15	05010302AA	4	U		74			*UL
4	J, T				74			*F7	[JPR]	
4	J, T				74			*F7	[JPR], [JKV]	
4	U				74			*UL	[JT2], [NHS], [SUB]	
4	J				74			*F7	[JT4], [JPM]	
4	J, T				74			*UL	[JTE], [JPM]	
8	J, T				74			*F7	BOLT, Hex Head	
8	J, T				74				BRACKET, Seat, Memory Module	
16	68086362AA	1	J, T		74			*DL	[JT2], [CAJ], [NHS], [SUB]	
		1	J, T		74			*UL	[JT2]	
		1	J, T		74			*GL	[JT2]	
		1	J		74			*UL	[JT2], [NHS], [SUB]	
		1	U		74			*GL	[JT2]	
		1	J		74			*GL	[JT2]	
		1	U		74			*UL	[JT2], [SUB]	
		1	U		74			*UL	[JT2], [NHS], [SUB]	
17		1	J		74			*UL	[JT2], [SUB]	
		1	J		74				BLOWER, Seat Cushion	

GRAND CHEROKEE (WK)

SERIES	LINE	BODY	ENGINE	TRANSMISSION
H = HIGHLINE	T = JEEP - 2WD	74 = SPORT UTILITY 4-DR TYPE #4	ERB = 3.0L Mid V6 Engine	DGQ = 5-Spd Automatic 545RFE Transmission
P = PREMIUM	J = JEEP - 4WD		EZH = 5.7L V8 HEMI MDS VVT Engine	DGJ = 5-Speed Auto W5A580 Transmission
S = SPORT	U = JEEP - 4WD (RHD)		EXF = 3.0L V6 Turbo Diesel Engine	

AR = use ase required - = Non illustrated part

Adjusters, Recliners and Shields - Driver Seat - Power
Figure 50-905



ITEM	PART NUMBER	QTY	LINE	SERIES	BODY	ENGINE	TRANS	TRIM	DESCRIPTION
18	04610263AC	2	J, T		74			*GL	[JT2]
		2	J, T		74			*DL	[JT2], [CAJ], [NHS], [SUB]
		2	J		74			*GL	[JT2]
		2	U		74			*GL	[JT2]
	68086186AA	1	J, T		74			*F7	[JPR]
		1	J, T		74			*F7	[JPR], [JKV]
		2	J, T		74			*GL	[JT2]
		2	J, T		74			*DL	[JT2], [CAJ], [NHS], [SUB]
		2	J, T		74			*UL	[JT2]
		2	J		74			*GL	[JT2]
		2	U		74			*F7	[JTE]
		2	J		74			*UL	[JT2], [NHS], [SUB]
		2	U		74			*GL	[JT2]
		2	J		74			*F7	[JT4]
19		2	J		74			*UL	[JT2], [SUB]
		2	U		74			*F7	[JTE], [JPM]
		2	J		74			*UL	[JTE], [JPM], [JPZ]
		2	U		74			*UL	[JT2], [SUB]
		2	U		74			*UL	[JT2], [NHS], [SUB]
		2	J		74			*F7	[JT4], [JPM]
		2	J, T		74			*UL	[JTE], [JPM]
	04610301AE	1	J, T		74			*GL	[JT2]
		1	J, T		74			*DL	[JT2], [CAJ], [NHS], [SUB]
	04610302AE	1	U		74			*F7	[JTE]
		1	U		74			*F7	[JTE], [JPM]
	04610300AE	1	U		74			*GL	[JT2]
		1	U		74			*UL	[JT2], [SUB]
		1	U		74			*UL	[JT2], [NHS], [SUB]
	1	J, T		74			*UL	[JT2]	
	1	J		74			*GL	[JT2]	
	1	J		74			*UL	[JT2], [NHS], [SUB]	
	1	J		74			*UL	[JT2], [SUB]	

GRAND CHEROKEE (WK)

SERIES LINE
H = HIGHLINE T = JEEP - 2WD
P = PREMIUM J = JEEP - 4WD
S = SPORT U = JEEP - 4WD (RHD)

BODY
74 = SPORT UTILITY 4-DR
TYPE #4

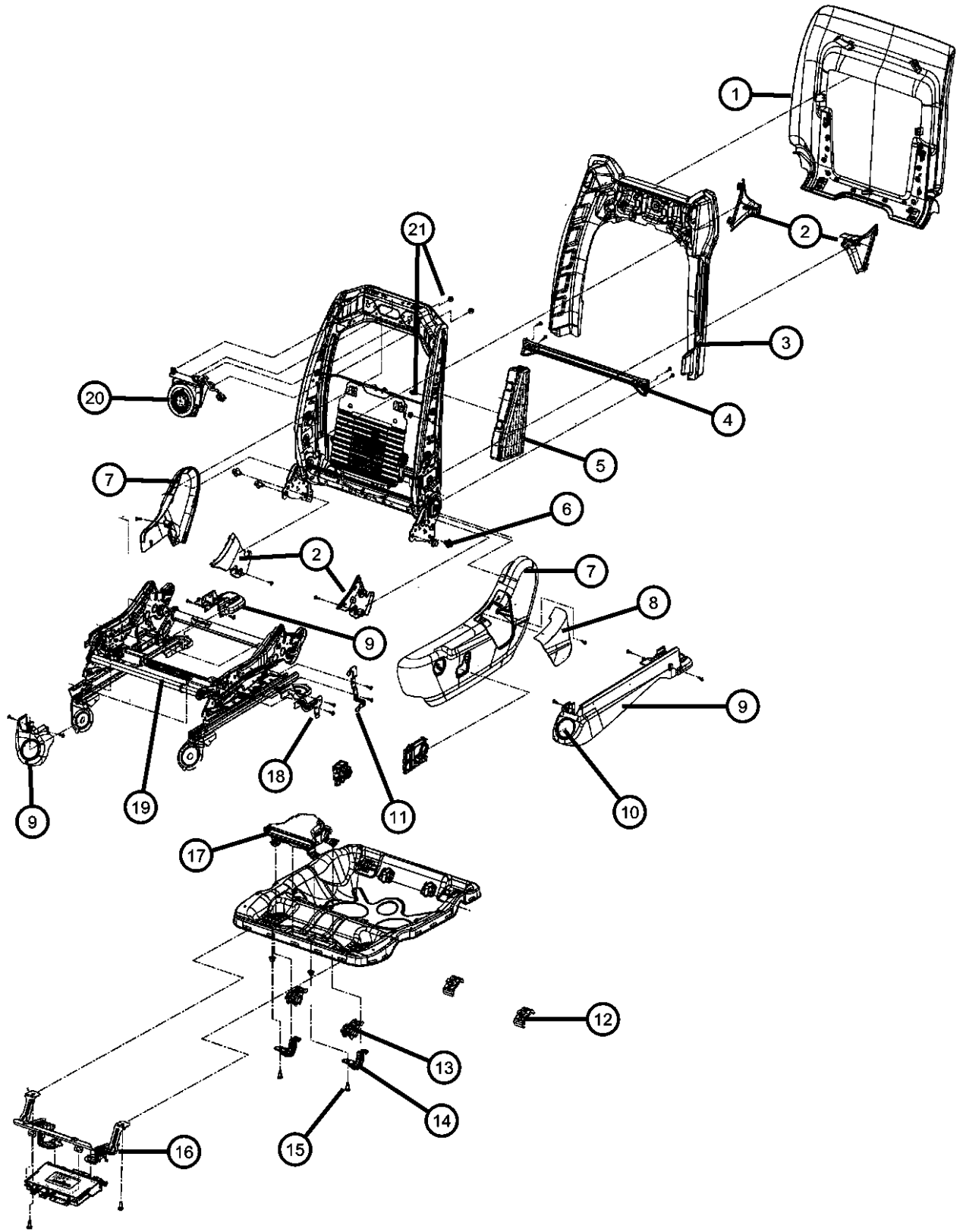
ENGINE
ERB = 3.0L Mid V6 Engine
EZH = 5.7L V8 HEMI MDS
VVT Engine
EXF = 3.0L V6 Turbo Diesel
Engine

TRANSMISSION
DGQ = 5-Spd Automatic 545RFE
Transmission
DGJ = 5-Speed Auto W5A580
Transmission

AR = use ase required - = Non illustrated part

2011 WK

Adjusters, Recliners and Shields - Driver Seat - Power
Figure 50-905



ITEM	PART NUMBER	QTY	LINE	SERIES	BODY	ENGINE	TRANS	TRIM	DESCRIPTION
	04610303AE	1	J, T		74			*F7	[JPR]
		1	J, T		74			*F7	[JPR], [JKV]
		1	J		74			*F7	[JT4], [JPM]
		1	J, T		74			*UL	[JTE], [JPM]
		1	J		74			*F7	[JT4]
		1	J		74			*UL	[JTE], [JPM], [JPZ]
20									BLOWER, Seat Back
	04610222AC	2	J		74			*GL	[JT2]
		2	U		74			*GL	[JT2]
		2	J, T		74			*GL	[JT2]
		2	J, T		74			*DL	[JT2], [CAJ], [NHS], [SUB]
21									NUT
	68030695AB	4	U		74			*F7	[JTE]
		4	J		74			*UL	[JT2], [NHS], [SUB]
		16	U		74			*GL	[JT2]
		4	J		74			*F7	[JT4]
		16	J, T		74			*DL	[JT2], [CAJ], [NHS], [SUB]
		4	J, T		74			*UL	[JT2]
		16	J		74			*GL	[JT2]
		4	U		74			*F7	[JTE], [JPM]
		4	J		74			*UL	[JTE], [JPM], [JPZ]
		4	U		74			*UL	[JT2], [SUB]
		4	J		74			*UL	[JT2], [SUB]
		4	J		74			*F7	[JT4], [JPM]
		4	J, T		74			*UL	[JTE], [JPM]
		4	U		74			*UL	[JT2], [NHS], [SUB]
	68030695AA	4	J, T		74			*F7	[JPR]
		4	J, T		74			*F7	[JPR], [JKV]
		16	J, T		74			*GL	[JT2]
-22									BRACKET, Seat, Vehicle Connectors
	68086187AA	1	J, T		74			*UL	[JTE], [JPM]
		1	J, T		74			*F7	[JPR], [JKV]
		2	U		74			*F7	[JTE]

GRAND CHEROKEE (WK)

SERIES LINE
H = HIGHLINE T = JEEP - 2WD
P = PREMIUM J = JEEP - 4WD
S = SPORT U = JEEP - 4WD (RHD)

BODY
74 = SPORT UTILITY 4-DR
TYPE #4

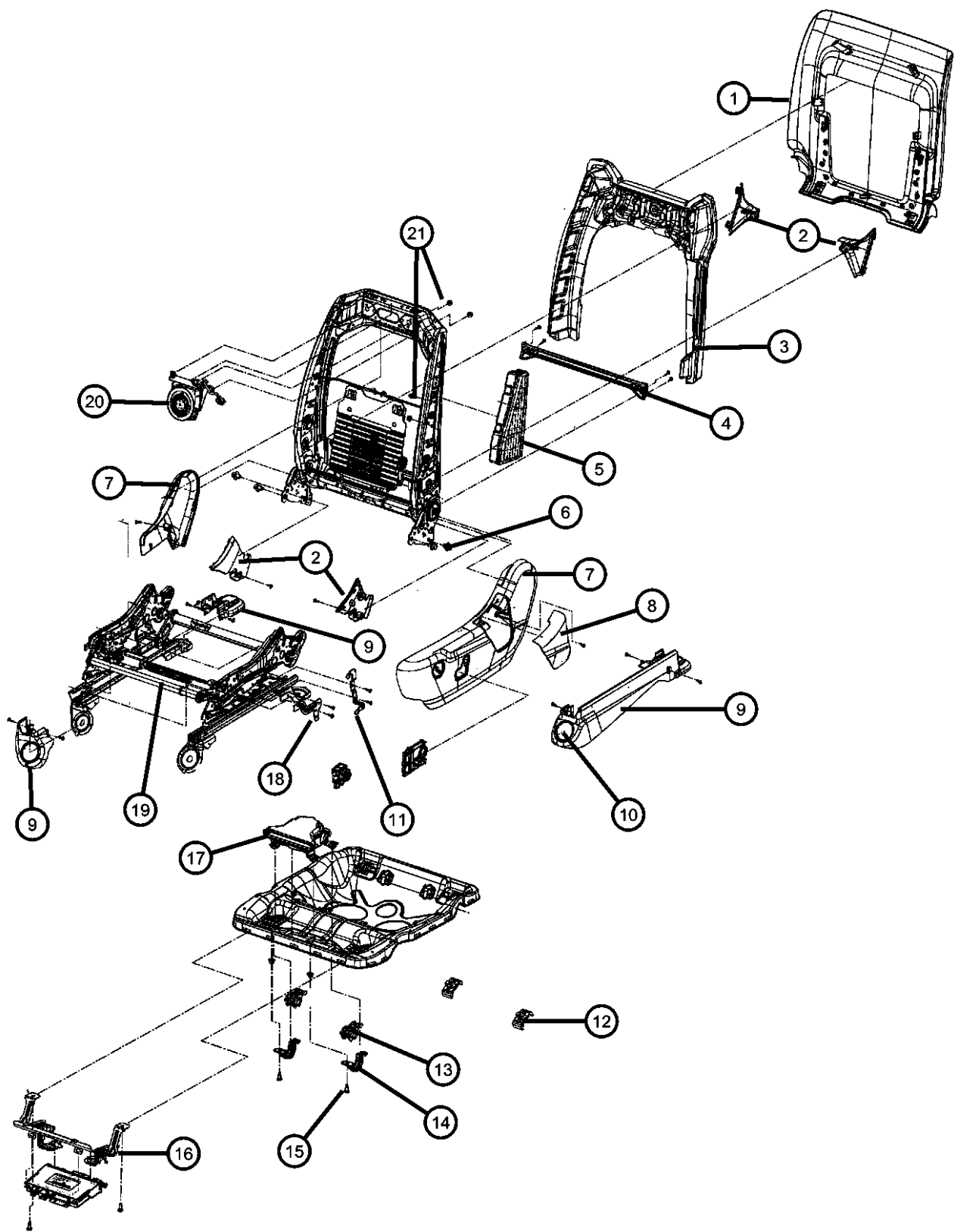
ENGINE
ERB = 3.0L Mid V6 Engine
EZH = 5.7L V8 HEMI MDS
VVT Engine
EXF = 3.0L V6 Turbo Diesel
Engine

TRANSMISSION
DGQ = 5-Spd Automatic 545RFE
Transmission
DGJ = 5-Speed Auto W5A580
Transmission

AR = use ase required - = Non illustrated part

2011 WK

Adjusters, Recliners and Shields - Driver Seat - Power
Figure 50-905



ITEM	PART NUMBER	QTY	LINE	SERIES	BODY	ENGINE	TRANS	TRIM	DESCRIPTION
		2	J		74			*F7	[JT4]
		1	U		74			*F7	[JTE], [JPM]
		1	J		74			*UL	[JTE], [JPM], [JPZ]
		1	J		74			*F7	[JT4], [JPM]
		2	J, T		74			*F7	[JPR]

GRAND CHEROKEE (WK)

SERIES LINE
H = HIGHLINE T = JEEP - 2WD
P = PREMIUM J = JEEP - 4WD
S = SPORT U = JEEP - 4WD (RHD)

BODY
74 = SPORT UTILITY 4-DR
TYPE #4

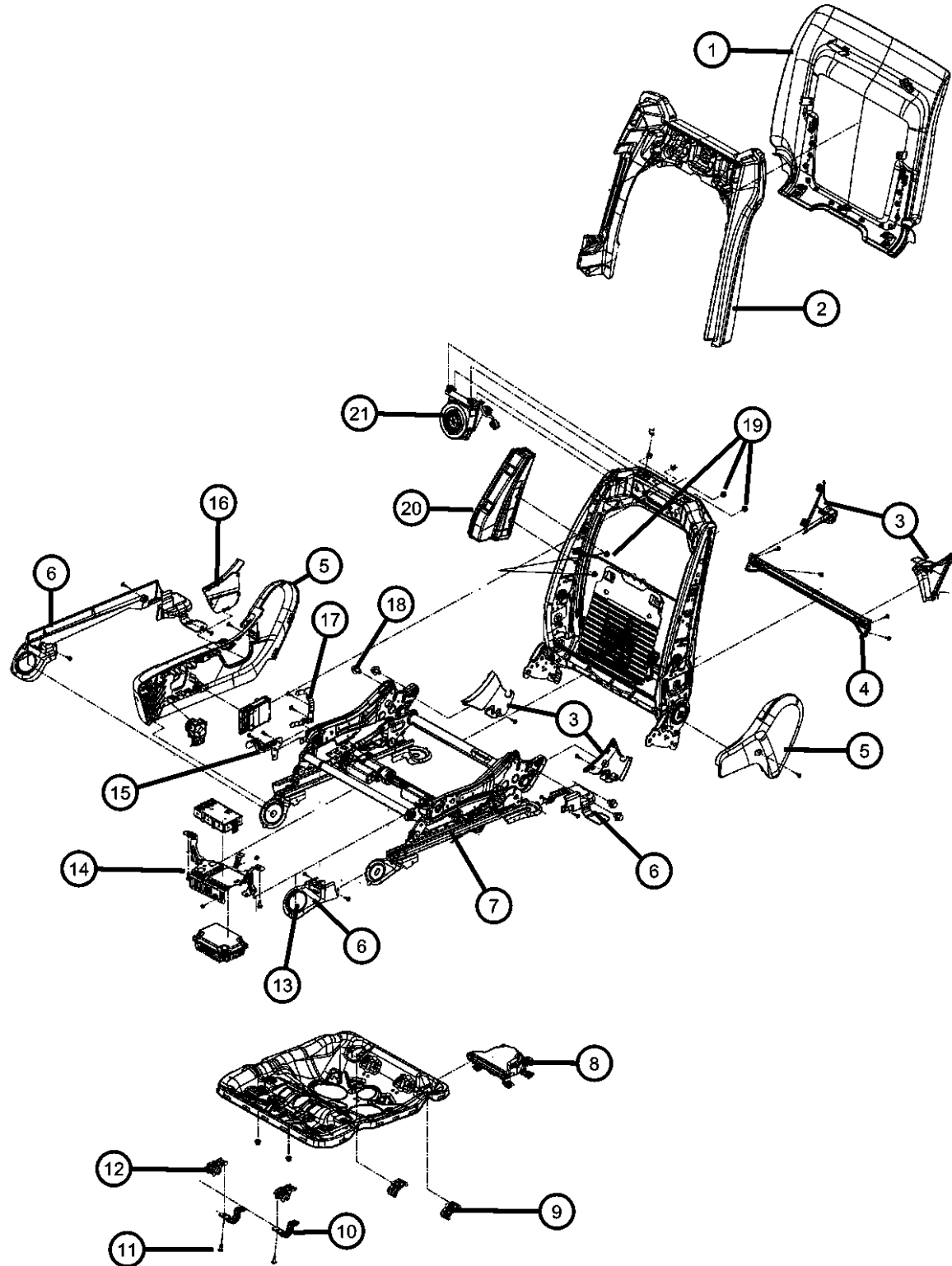
ENGINE
ERB = 3.0L Mid V6 Engine
EZH = 5.7L V8 HEMI MDS
VVT Engine
EXF = 3.0L V6 Turbo Diesel
Engine

TRANSMISSION
DGQ = 5-Spd Automatic 545RFE
Transmission
DGJ = 5-Speed Auto W5A580
Transmission

AR = use ase required - = Non illustrated part

Adjusters, Recliners and Shields - Passenger Seat - Power
Figure 50-915

ITEM	PART NUMBER	QTY	LINE	SERIES	BODY	ENGINE	TRANS	TRIM	DESCRIPTION	
1	1TM391L1AA	2	J, T		74			*UL	PANEL, Front Seat Back [XL], [JT2]	
		2	J, T		74			*GL	[L9], [JT2]	
		2	J, T		74			*DL	[XL], [JT2], [CAJ], [NHS], [SUB]	
		2	U		74			*GL	[L9], [JT2]	
		2	J		74			*GL	[L9], [JT2]	
		2	J		74			*UL	[XL], [JT2], [NHS], [SUB]	
		2	U		74			*UL	[XL], [JT2], [NHS], [SUB]	
		2	J		74			*UL	[XL], [JT2], [SUB]	
		2	U		74			*UL	[XL], [JT2], [SUB]	
		2	J		74			*UL	[XL], [JT2], [SUB]	
		2	U		74			*UL	[XL], [JT2], [SUB]	
		2	J		74			*UL	[XL], [JT2], [SUB]	
		2	U		74			*UL	[XL], [JT2], [SUB]	
		2	J		74			*UL	[XL], [JT2], [SUB]	
	1TM391X9AA	2	J		74				*GL	[X9], [JT2]
		2	J, T		74				*DL	[X9], [JT2], [CAJ], [NHS], [SUB]
		2	J, T		74				*UL	[X9], [JT2]
		2	U		74				*GL	[X9], [JT2]
		2	U		74				*F7	[X9], [JTE]
		2	J		74				*UL	[X9], [JT2], [NHS], [SUB]
		2	J		74				*UL	[X9], [JTE], [JPM], [JPZ]
2		J		74				*UL	[X9], [JT2], [SUB]	
2		U		74				*F7	[X9], [JTE], [JPM]	
2		U		74				*UL	[X9], [JT2], [SUB]	
1TM40DX9AA	2	U		74				*UL	[X9], [JT2], [NHS], [SUB]	
	1	J		74				*F7	[X9], [JT4]	
	1	J		74				*F7	[X9], [JT4], [JPM]	
	2	J, T		74				*UL	[X9], [JTE], [JPM]	
	2	J, T		74				*UL	[X9], [JTE], [JPM]	
2	68086185AA 68086360AA	1	U		74			*F7	BEZEL, Seat Back [JTE]	
		1	J		74			*UL	[JT2], [NHS], [SUB]	
		1	J, T		74			*UL	[JT2]	
		1	J		74			*GL	[JT2]	
		1	U		74			*GL	[JT2]	
		1	J, T		74			*GL	[JT2]	
		1	J, T		74			*DL	[JT2], [CAJ], [NHS], [SUB]	
		1	U		74			*UL	[JT2], [NHS], [SUB]	
		1	J, T		74			*UL	[JTE], [JPM]	
		2	J		74			*UL	[JT2], [SUB]	



GRAND CHEROKEE (WK)

SERIES LINE
H = HIGHLINE T = JEEP - 2WD
P = PREMIUM J = JEEP - 4WD
S = SPORT U = JEEP - 4WD (RHD)

BODY
74 = SPORT UTILITY 4-DR
TYPE #4

ENGINE
ERB = 3.0L Mid V6 Engine
EZH = 5.7L V8 HEMI MDS
VVT Engine
EXF = 3.0L V6 Turbo Diesel
Engine

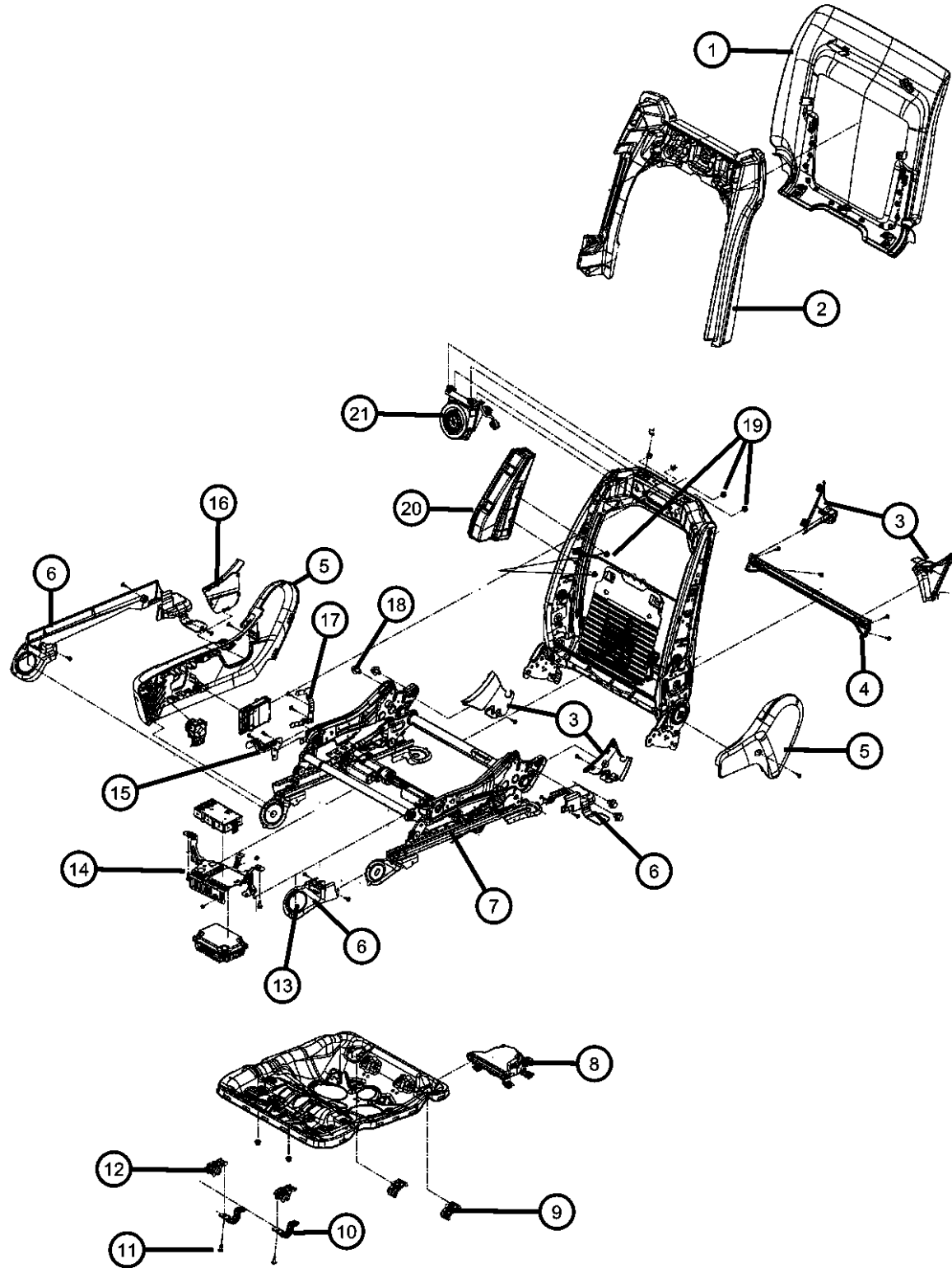
TRANSMISSION
DGQ = 5-Speed Automatic 545RFE
Transmission
DGJ = 5-Speed Auto W5A580
Transmission

AR = use ase required - = Non illustrated part

2011 WK

Adjusters, Recliners and Shields - Passenger Seat - Power
Figure 50-915

ITEM	PART NUMBER	QTY	LINE	SERIES	BODY	ENGINE	TRANS	TRIM	DESCRIPTION
		1	J		74			*UL	[JTE], [JPM], [JPZ]
	68086184AA	1	J		74			*F7	[JT4], [JPM]
		1	J		74			*F7	[JT4]
		1	U		74			*F7	[JTE], [JPM]
		1	U		74			*UL	[JT2], [SUB]
3									COVER, Seat Recliner
	1TM441L1AA	2	J		74			*GL	[L9], [JT2], Right, Front, Inner
		2	J, T		74			*DL	[XL], [JT2], [CAJ], [NHS], [SUB], Right, Front, Inner
		2	J, T		74			*GL	[L9], [JT2], Right, Front, Inner
	1TM44DX9AA	2	J, T		74			*GL	[X9], [JT2], Right, Front, Inner
		2	J, T		74			*GL	[XT], [JT2], Right, Front, Inner
		2	J		74			*GL	[XT], [JT2], Right, Front, Inner
		2	J, T		74			*UL	[XL], [JT2], Right, Front, Inner
		2	J		74			*UL	[XL], [JT2], [SUB], Right, Front, Inner
		2	J		74			*UL	[XL], [JT2], [NHS], [SUB], Right, Front, Inner
		2	U		74			*GL	[L9], [JT2], Right, Front, Inner
		2	U		74			*UL	[XL], [JT2], [SUB], Right, Front, Inner
		2	U		74			*UL	[XL], [JT2], [NHS], [SUB], Right, Front, Inner
		2	J, T		74			*DL	[X9], [JT2], [CAJ], [NHS], [SUB], Right, Front, Inner
		2	J		74			*UL	[X9], [JTE], [JPM], [JPZ], Right, Front, Inner
		2	J, T		74			*UL	[X9], [JT2], Right, Front, Inner
		2	J		74			*GL	[X9], [JT2], Right, Front, Inner
		2	U		74			*GL	[X9], [JT2], Right, Front, Inner
		2	U		74			*F7	[X9], [JTE], Right, Front, Inner
		2	J		74			*UL	[X9], [JT2], [NHS], [SUB], Right, Front, Inner
		2	J		74			*UL	[X9], [JT2], [SUB], Right, Front, Inner
		2	U		74			*GL	[XT], [JT2], Right, Front, Inner
		1	J		74			*F7	[X9], [JT4], Right, Front, Inner
		2	U		74			*UL	[X9], [JT2], [SUB], Right, Front, Inner



GRAND CHEROKEE (WK)

SERIES LINE
H = HIGHLINE T = JEEP - 2WD
P = PREMIUM J = JEEP - 4WD
S = SPORT U = JEEP - 4WD (RHD)

BODY
74 = SPORT UTILITY 4-DR TYPE #4

ENGINE
ERB = 3.0L Mid V6 Engine
EZH = 5.7L V8 HEMI MDS VVT Engine
EXF = 3.0L V6 Turbo Diesel Engine

TRANSMISSION
DGQ = 5-Speed Automatic 545RFE Transmission
DGJ = 5-Speed Auto W5A580 Transmission

AR = use ase required - = Non illustrated part

2011 WK

Adjusters, Recliners and Shields - Passenger Seat - Power
Figure 50-915

ITEM	PART NUMBER	QTY	LINE	SERIES	BODY	ENGINE	TRANS	TRIM	DESCRIPTION
		2	U		74			*F7	[X9], [JTE], [JPM], Right, Front, Inner
		2	J, T		74			*UL	[X9], [JTE], [JPM], Right, Front, Inner
		2	U		74			*UL	[X9], [JT2], [NHS], [SUB], Right, Front, Inner
		1	J		74			*F7	[X9], [JT4], [JPM], Right, Front, Inner
	1TM451L1AA	2	J, T		74			*UL	[XL], [JT2], Left, Front, Inner
		2	J, T		74			*GL	[L9], [JT2], Left, Front, Inner
		2	J, T		74			*DL	[XL], [JT2], [CAJ], [NHS], [SUB], Left, Front, Inner
		2	U		74			*GL	[L9], [JT2], Left, Front, Inner
		2	J		74			*GL	[L9], [JT2], Left, Front, Inner
		2	J		74			*UL	[XL], [JT2], [NHS], [SUB], Left, Front, Inner
		2	U		74			*UL	[XL], [JT2], [NHS], [SUB], Left, Front, Inner
		2	J		74			*UL	[XL], [JT2], [SUB], Left, Front, Inner
		2	U		74			*UL	[XL], [JT2], [SUB], Left, Front, Inner
	1TM45DX9AA	2	J, T		74			*GL	[XT], [JT2], Left, Front, Inner
		2	J, T		74			*DL	[X9], [JT2], [CAJ], [NHS], [SUB], Left, Front, Inner
	1TM45BD3AA	2	J, T		74			*UL	[D3], [JTE], [JPM], Left, Front, Inner
		2	J, T		74			*GL	[X9], [JT2], Left, Front, Inner
		2	J		74			*GL	[X9], [JT2], Left, Front, Inner
		2	J		74			*GL	[XT], [JT2], Left, Front, Inner
		2	J		74			*UL	[X9], [JT2], [NHS], [SUB], Left, Front, Inner
		2	J		74			*UL	[X9], [JT2], [SUB], Left, Front, Inner
		2	U		74			*GL	[XT], [JT2], Left, Front, Inner
		1	J		74			*F7	[X9], [JT4], Left, Front, Inner
		2	U		74			*UL	[X9], [JT2], [SUB], Left, Front, Inner
		2	U		74			*F7	[X9], [JTE], [JPM], Left, Front, Inner
		2	J		74			*UL	[X9], [JTE], [JPM], [JPZ], Left, Front, Inner
		2	J, T		74			*UL	[X9], [JTE], [JPM], Left, Front, Inner

GRAND CHEROKEE (WK)

SERIES LINE
H = HIGHLINE T = JEEP - 2WD
P = PREMIUM J = JEEP - 4WD
S = SPORT U = JEEP - 4WD (RHD)

BODY
74 = SPORT UTILITY 4-DR TYPE #4

ENGINE
ERB = 3.0L Mid V6 Engine
EZH = 5.7L V8 HEMI MDS VVT Engine
EXF = 3.0L V6 Turbo Diesel Engine

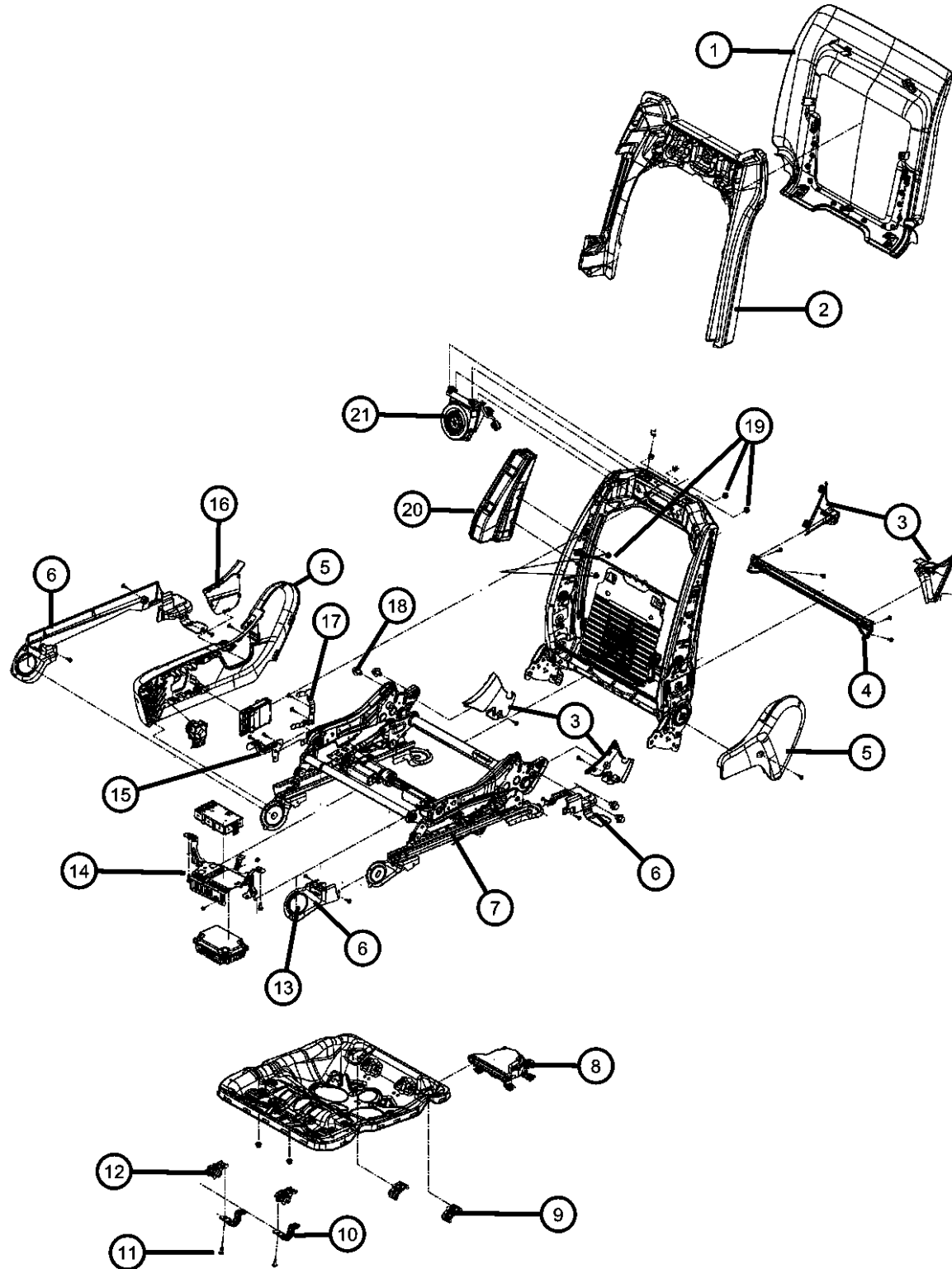
TRANSMISSION
DGQ = 5-Speed Automatic 545RFE Transmission
DGJ = 5-Speed Auto W5A580 Transmission

AR = use ase required - = Non illustrated part

2011 WK

Adjusters, Recliners and Shields - Passenger Seat - Power
Figure 50-915

ITEM	PART NUMBER	QTY	LINE	SERIES	BODY	ENGINE	TRANS	TRIM	DESCRIPTION
		2	J, T		74			*UL	[X9], [JT2], Left, Front, Inner
		2	U		74			*GL	[X9], [JT2], Left, Front, Inner
		2	U		74			*F7	[X9], [JTE], Left, Front, Inner
	1TM491L1AA	2	U		74			*GL	[L9], [JT2], Right, Rear, Inner
		2	J		74			*GL	[L9], [JT2], Right, Rear, Inner
		2	J		74			*UL	[XL], [JT2], [NHS], [SUB], Right, Rear, Inner
		2	U		74			*UL	[XL], [JT2], [NHS], [SUB], Right, Rear, Inner
		2	J		74			*UL	[XL], [JT2], [SUB], Right, Rear, Inner
		2	U		74			*UL	[X9], [JT2], [NHS], [SUB], Left, Front, Inner
		1	J		74			*F7	[X9], [JT4], [JPM], Left, Front, Inner
		2	J, T		74			*UL	[XL], [JT2], Right, Rear, Inner
		2	J, T		74			*GL	[L9], [JT2], Right, Rear, Inner
		2	J, T		74			*DL	[XL], [JT2], [CAJ], [NHS], [SUB], Right, Rear, Inner
	1TM49DX9AA	2	J		74			*GL	[X9], [JT2], Right, Rear, Inner
		2	J		74			*GL	[XT], [JT2], Right, Rear, Inner
		2	J, T		74			*UL	[X9], [JT2], Right, Rear, Inner
		2	U		74			*GL	[X9], [JT2], Right, Rear, Inner
		2	U		74			*UL	[XL], [JT2], [SUB], Right, Rear, Inner
		2	J, T		74			*GL	[XT], [JT2], Right, Rear, Inner
	1TM49BD3AA	2	J, T		74			*UL	[D3], [JTE], [JPM], Right, Rear, Inner
		2	J, T		74			*DL	[X9], [JT2], [CAJ], [NHS], [SUB], Right, Rear, Inner
		2	J, T		74			*GL	[X9], [JT2], Right, Rear, Inner
		2	J, T		74			*UL	[X9], [JTE], [JPM], Right, Rear, Inner
		2	U		74			*UL	[X9], [JT2], [NHS], [SUB], Right, Rear, Inner
		1	J		74			*F7	[X9], [JT4], [JPM], Right, Rear, Inner
		2	U		74			*F7	[X9], [JTE], Right, Rear, Inner
		2	J		74			*UL	[X9], [JT2], [NHS], [SUB], Right, Rear, Inner
		2	J		74			*UL	[X9], [JT2], [SUB], Right, Rear, Inner



GRAND CHEROKEE (WK)

SERIES LINE
H = HIGHLINE T = JEEP - 2WD
P = PREMIUM J = JEEP - 4WD
S = SPORT U = JEEP - 4WD (RHD)

BODY
74 = SPORT UTILITY 4-DR
TYPE #4

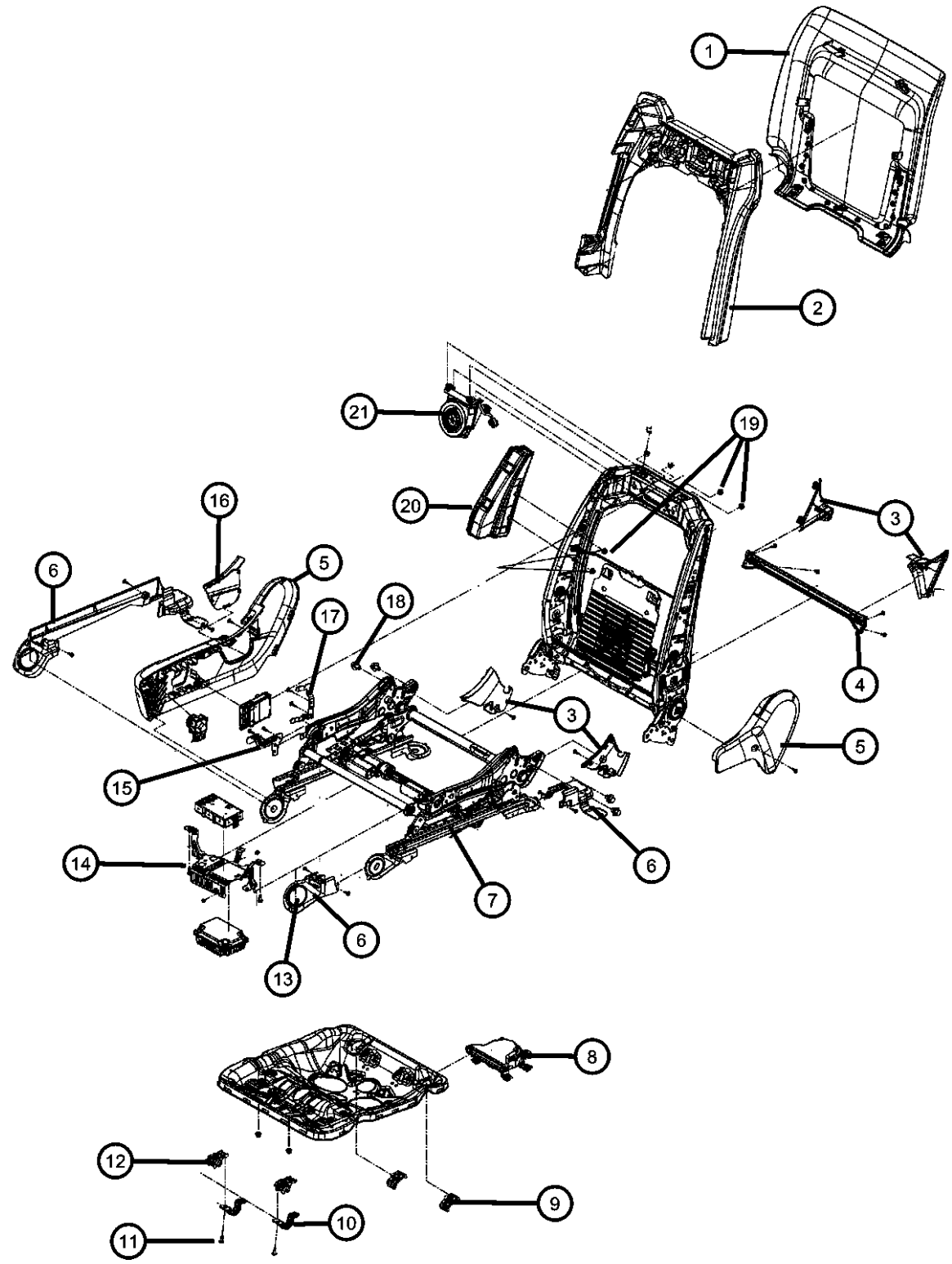
ENGINE
ERB = 3.XL Mid V6 Engine
EZH = 5.7L V8 HEMI MDS
VVT Engine
EXF = 3.0L V6 Turbo Diesel
Engine

TRANSMISSION
DGQ = 5-Speed Automatic 545RFE
Transmission
DGJ = 5-Speed Auto W5A580
Transmission

AR = use ase required - = Non illustrated part

2011 WK

Adjusters, Recliners and Shields - Passenger Seat - Power
Figure 50-915



ITEM	PART NUMBER	QTY	LINE	SERIES	BODY	ENGINE	TRANS	TRIM	DESCRIPTION
		2	U		74			*GL	[XT], [JT2], Right, Rear, Inner
		1	J		74			*F7	[X9], [JT4], Right, Rear, Inner
		2	U		74			*UL	[X9], [JT2], [SUB], Right, Rear, Inner
		2	U		74			*F7	[X9], [JTE], [JPM], Right, Rear, Inner
		2	J		74			*UL	[X9], [JTE], [JPM], [JPZ], Right, Rear, Inner
	1TM501L1AA	2	U		74			*UL	[XL], [JT2], [SUB], Left, Rear, Inner
		2	J, T		74			*UL	[XL], [JT2], Left, Rear, Inner
		2	J, T		74			*GL	[L9], [JT2], Left, Rear, Inner
		2	J, T		74			*DL	[XL], [JT2], [CAJ], [NHS], [SUB], Left, Rear, Inner
		2	U		74			*GL	[L9], [JT2], Left, Rear, Inner
		1	J		74			*GL	[L9], [JT2], Left, Rear, Inner
		2	J		74			*UL	[XL], [JT2], [NHS], [SUB], Left, Rear, Inner
		2	U		74			*UL	[XL], [JT2], [NHS], [SUB], Left, Rear, Inner
		2	J		74			*UL	[XL], [JT2], [SUB], Left, Rear, Inner
	1TM50DX9AA	2	J, T		74			*GL	[XT], [JT2], Left, Rear, Inner
	1TM50BD3AA	2	J, T		74			*UL	[D3], [JTE], [JPM], Left, Rear, Inner
		2	J, T		74			*DL	[X9], [JT2], [CAJ], [NHS], [SUB], Left, Rear, Inner
		2	J, T		74			*GL	[X9], [JT2], Left, Rear, Inner
		1	J		74			*GL	[X9], [JT2], Left, Rear, Inner
		1	J		74			*GL	[XT], [JT2], Left, Rear, Inner
		2	J, T		74			*UL	[X9], [JT2], Left, Rear, Inner
		2	U		74			*GL	[X9], [JT2], Left, Rear, Inner
		2	U		74			*F7	[X9], [JTE], Left, Rear, Inner
		2	J		74			*UL	[X9], [JT2], [NHS], [SUB], Left, Rear, Inner
		2	J		74			*UL	[X9], [JT2], [SUB], Left, Rear, Inner
		2	U		74			*GL	[XT], [JT2], Left, Rear, Inner
		1	J		74			*F7	[X9], [JT4], Left, Rear, Inner
		2	U		74			*UL	[X9], [JT2], [SUB], Left, Rear, Inner

GRAND CHEROKEE (WK)
 SERIES LINE
 H = HIGHLINE T = JEEP - 2WD
 P = PREMIUM J = JEEP - 4WD
 S = SPORT U = JEEP - 4WD (RHD)

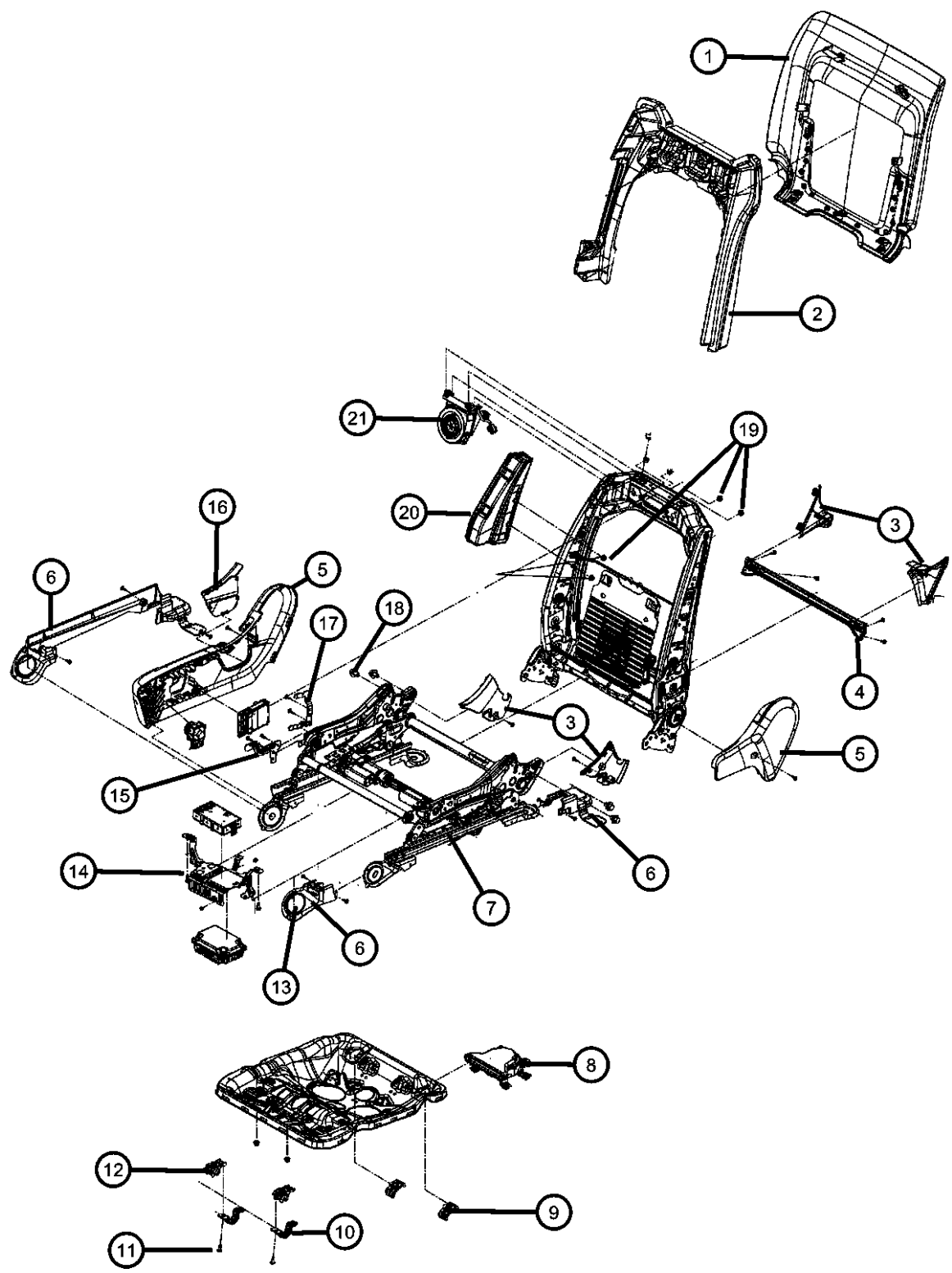
BODY
 74 = SPORT UTILITY 4-DR TYPE #4

ENGINE
 ERB = 3.XL Mid V6 Engine
 EZH = 5.7L V8 HEMI MDS VVT Engine
 EXF = 3.0L V6 Turbo Diesel Engine

TRANSMISSION
 DGQ = 5-Spd Automatic 545RFE Transmission
 DGJ = 5-Speed Auto W5A580 Transmission

AR = use ase required - = Non illustrated part

Adjusters, Recliners and Shields - Passenger Seat - Power
Figure 50-915



ITEM	PART NUMBER	QTY	LINE	SERIES	BODY	ENGINE	TRANS	TRIM	DESCRIPTION
4		2	U		74			*F7	[X9], [JTE], [JPM], Left, Rear, Inner
		2	J		74			*UL	[X9], [JTE], [JPM], [JPZ], Left, Rear, Inner
		2	J, T		74			*UL	[X9], [JTE], [JPM], Left, Rear, Inner
		2	U		74			*UL	[X9], [JT2], [NHS], [SUB], Left, Rear, Inner
		1	J		74			*F7	[X9], [JT4], [JPM], Left, Rear, Inner
		1TM44BD3AA	2	J, T		74		*UL	[D3], [JTE], [JPM], Right, Front, Inner
		68064591AA	2	J		74		*GL	BRACKET, Rear [JT2]
			2	U		74		*F7	[JTE]
			2	J		74		*UL	[JT2], [NHS], [SUB]
			2	J, T		74		*UL	[JT2]
			2	J		74		*F7	[JT4]
			2	J		74		*UL	[JT2], [SUB]
			2	U		74		*F7	[JTE], [JPM]
			2	U		74		*GL	[JT2]
			2	U		74		*UL	[JT2], [SUB]
5		2	U		74			*UL	[JT2], [NHS], [SUB]
		2	J		74			*UL	[JTE], [JPM], [JPZ]
		2	J		74			*F7	[JT4], [JPM]
		2	J, T		74			*UL	[JTE], [JPM]
		2	J, T		74			*GL	[JT2]
		2	J, T		74			*DL	[JT2], [CAJ], [NHS], [SUB]
									SHIELD, Seat Adjuster
		1TM29DX9AA	1	U		74		*F7	[X9], [JTE], Outboard
		1TM291L1AA	1	U		74		*UL	[XL], [JT2], [NHS], [SUB], Outboard
			1	U		74		*GL	[L9], [JT2], Outboard
		1	U		74		*UL	[XL], [JT2], [SUB], Outboard	
		1	U		74		*GL	[X9], [JT2], Outboard	
		1	U		74		*UL	[X9], [JT2], [NHS], [SUB], Outboard	
		1	U		74		*UL	[X9], [JT2], [SUB], Outboard	

GRAND CHEROKEE (WK)

SERIES LINE
H = HIGHLINE T = JEEP - 2WD
P = PREMIUM J = JEEP - 4WD
S = SPORT U = JEEP - 4WD (RHD)

BODY
74 = SPORT UTILITY 4-DR TYPE #4

ENGINE
ERB = 3.0L Mid V6 Engine
EZH = 5.7L V8 HEMI MDS VVT Engine
EXF = 3.0L V6 Turbo Diesel Engine

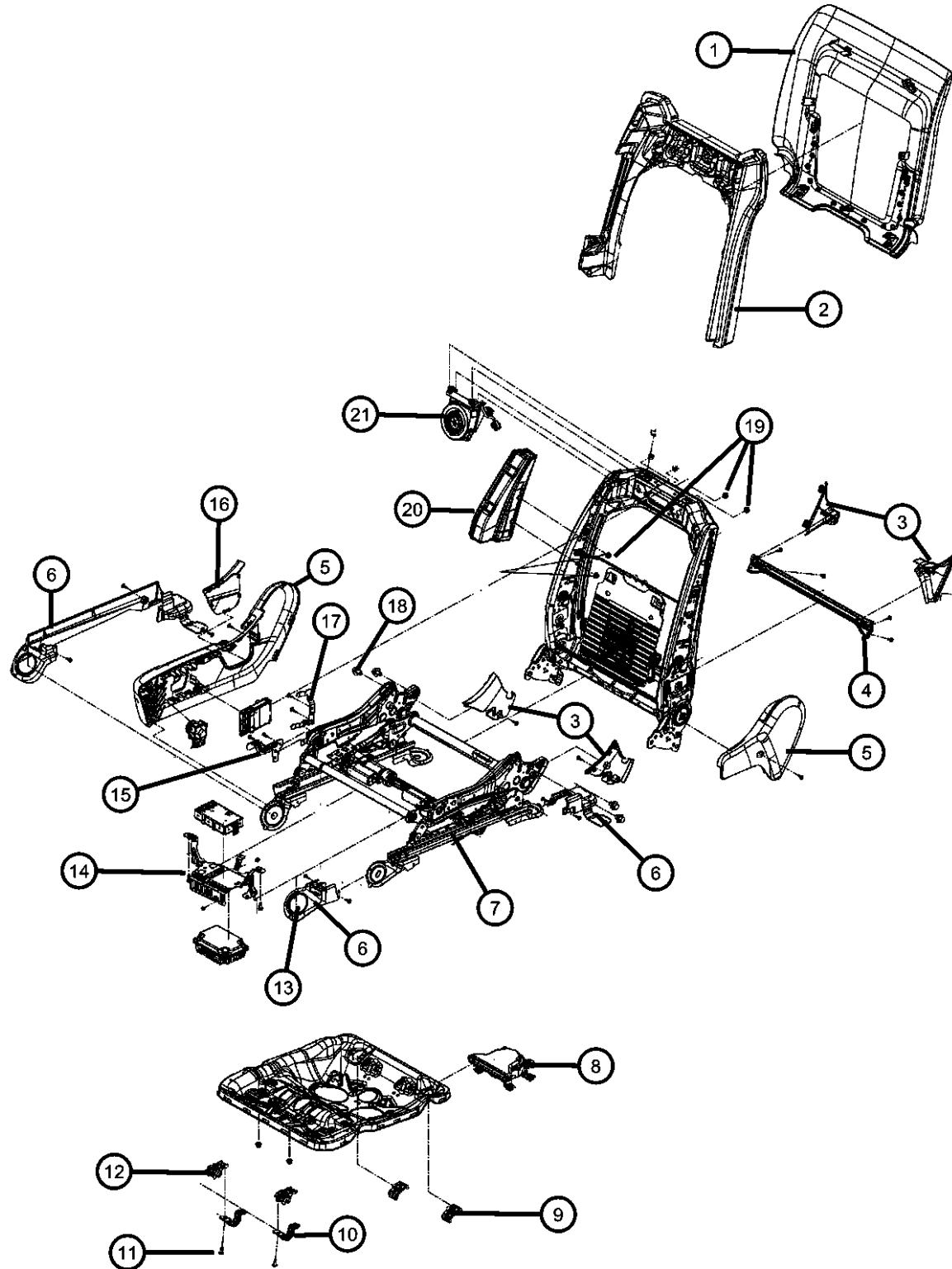
TRANSMISSION
DGQ = 5-Speed Automatic 545RFE Transmission
DGJ = 5-Speed Auto W5A580 Transmission

AR = use ase required - = Non illustrated part

2011 WK

Adjusters, Recliners and Shields - Passenger Seat - Power
Figure 50-915

ITEM	PART NUMBER	QTY	LINE	SERIES	BODY	ENGINE	TRANS	TRIM	DESCRIPTION
	1TM311L1AA	1	U		74			*UL	[XL], [JT2], [SUB], Inboard
		1	U		74			*UL	[XL], [JT2], [NHS], [SUB], Inboard
	1TM31DX9AA	1	U		74			*F7	[X9], [JTE], [JPM], Inboard
		1	U		74			*GL	[X9], [JT2], Inboard
		1	J		74			*UL	[X9], [JTE], [JPM], [JPZ], Inboard
		1	U		74			*GL	[XT], [JT2], Inboard
		1	U		74			*UL	[X9], [JT2], [NHS], [SUB], Inboard
	1TN351L1AA	1	J, T		74			*GL	[L9], [JT2], Inboard
		1	U		74			*UL	[X9], [JT2], [SUB], Inboard
		1	J		74			*GL	[L9], [JT2], Inboard
		1	J, T		74			*DL	[XL], [JT2], [CAJ], [NHS], [SUB], Inboard
		1	J, T		74			*UL	[XL], [JT2], Inboard
	1TN35BD3AA	1	J, T		74			*UL	[D3], [JTE], [JPM], Inboard
	1TN35DX9AA	1	J, T		74			*UL	[X9], [JT2], Inboard
		1	J		74			*UL	[XL], [JT2], [NHS], [SUB], Inboard
		1	J		74			*UL	[XL], [JT2], [SUB], Inboard
		1	J, T		74			*GL	[X9], [JT2], Inboard
		1	J, T		74			*DL	[X9], [JT2], [CAJ], [NHS], [SUB], Inboard
		1	J		74			*UL	[X9], [JT2], [SUB], Inboard
		1	J		74			*GL	[X9], [JT2], Inboard
		1	J		74			*UL	[X9], [JT2], [NHS], [SUB], Inboard
	1TN361L1AA	1	J, T		74			*DL	[XL], [JT2], [CAJ], [NHS], [SUB], Outboard
		1	J, T		74			*UL	[X9], [JTE], [JPM], Inboard
		1	J, T		74			*GL	[L9], [JT2], Outboard
		1	J, T		74			*UL	[XL], [JT2], Outboard
		1	J		74			*GL	[L9], [JT2], Outboard
	1TN361X9AA	1	J, T		74			*DL	[X9], [JT2], [CAJ], [NHS], [SUB], Outboard
		1	J		74			*UL	[XL], [JT2], [NHS], [SUB], Outboard
		1	J		74			*UL	[XL], [JT2], [SUB], Outboard
		1	J, T		74			*GL	[X9], [JT2], Outboard



GRAND CHEROKEE (WK)

SERIES LINE
H = HIGHLINE T = JEEP - 2WD
P = PREMIUM J = JEEP - 4WD
S = SPORT U = JEEP - 4WD (RHD)

BODY
74 = SPORT UTILITY 4-DR TYPE #4

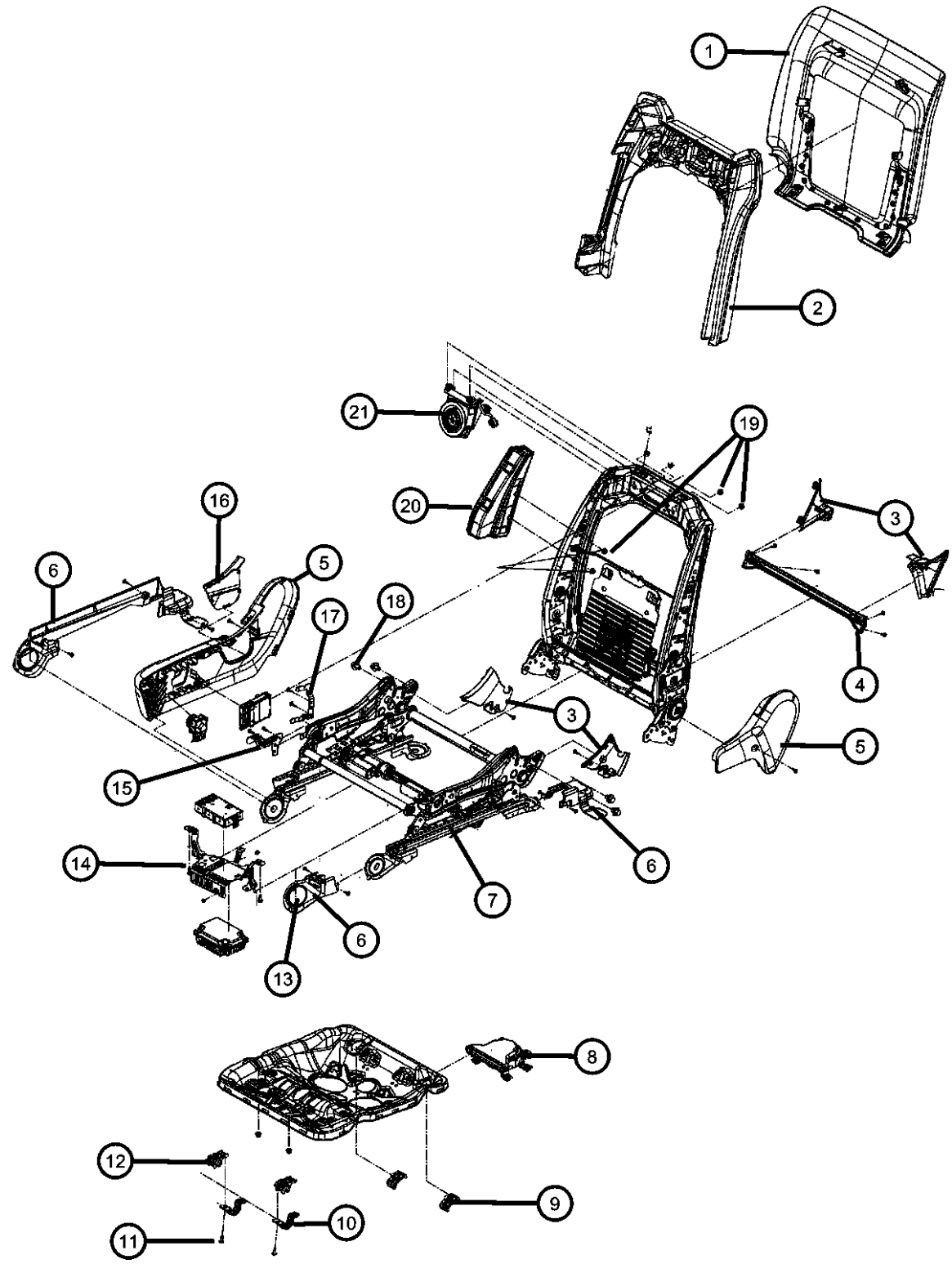
ENGINE
ERB = 3.0L Mid V6 Engine
EZH = 5.7L V8 HEMI MDS VVT Engine
EXF = 3.0L V6 Turbo Diesel Engine

TRANSMISSION
DGQ = 5-Speed Automatic 545RFE Transmission
DGJ = 5-Speed Auto W5A580 Transmission

AR = use ase required - = Non illustrated part

2011 WK

Adjusters, Recliners and Shields - Passenger Seat - Power
Figure 50-915



ITEM	PART NUMBER	QTY	LINE	SERIES	BODY	ENGINE	TRANS	TRIM	DESCRIPTION
		1	J		74			*UL	[X9], [JT2], [NHS], [SUB], Outboard
		1	J, T		74			*UL	[X9], [JT2], Outboard
		1	J		74			*GL	[X9], [JT2], Outboard
		1	J		74			*UL	[X9], [JT2], [SUB], Outboard
	1TN76DX9AA	1	J		74			*F7	[X9], [JT4], [JPM], Outboard
	1TN78DX9AA	1	J		74			*F7	[X9], [JT4], [JPM], Inboard
		1	J		74			*F7	[X9], [JT4], Inboard
		1	J		74			*F7	[X9], [JT4], Outboard
		1	U		74			*F7	[X9], [JTE], [JPM], Outboard
		1	J		74			*UL	[X9], [JTE], [JPM], [JPZ], Outboard
		1	U		74			*GL	[L9], [JT2], Inboard
		1	U		74			*F7	[X9], [JTE], Inboard
	1TN36BD3AA	1	J, T		74			*UL	[D3], [JTE], [JPM], Outboard
		1	J, T		74			*UL	[X9], [JTE], [JPM], Outboard
6									SHIELD, Seat Adjuster, Riser Cover
	1TM331L1AA	1	J, T		74			*DL	[XL], [JT2], [CAJ], [NHS], [SUB], Front, Inboard
		1	J, T		74			*GL	[L9], [JT2], Front, Inboard
		1	J		74			*UL	[XL], [JT2], [NHS], [SUB], Front, Inboard
		1	J, T		74			*UL	[XL], [JT2], Front, Inboard
		1	J		74			*GL	[L9], [JT2], Front, Inboard
	1TM33BD3AA	1	J, T		74			*F7	[D3], [JPR], [JKV], Front, Inboard
		1	J		74			*UL	[XL], [JT2], [SUB], Front, Inboard
		1	J, T		74			*F7	[D3], [JPR], Front, Inboard
		1	J, T		74			*UL	[D3], [JTE], [JPM], Front, Inboard
	1TM33DX9AA	1	J, T		74			*F7	[X9], [JPR], Front, Inboard
		1	J, T		74			*DL	[X9], [JT2], [CAJ], [NHS], [SUB], Front, Inboard
		1	J, T		74			*GL	[X9], [JT2], Front, Inboard
		1	J, T		74			*GL	[XT], [JT2], Front, Inboard
		1	J		74			*GL	[XT], [JT2], Front, Inboard
		1	J, T		74			*UL	[X9], [JT2], Front, Inboard
		1	J		74			*GL	[X9], [JT2], Front, Inboard

GRAND CHEROKEE (WK)
 SERIES LINE
 H = HIGHLINE T = JEEP - 2WD
 P = PREMIUM J = JEEP - 4WD
 S = SPORT U = JEEP - 4WD (RHD)

BODY
 74 = SPORT UTILITY 4-DR TYPE #4

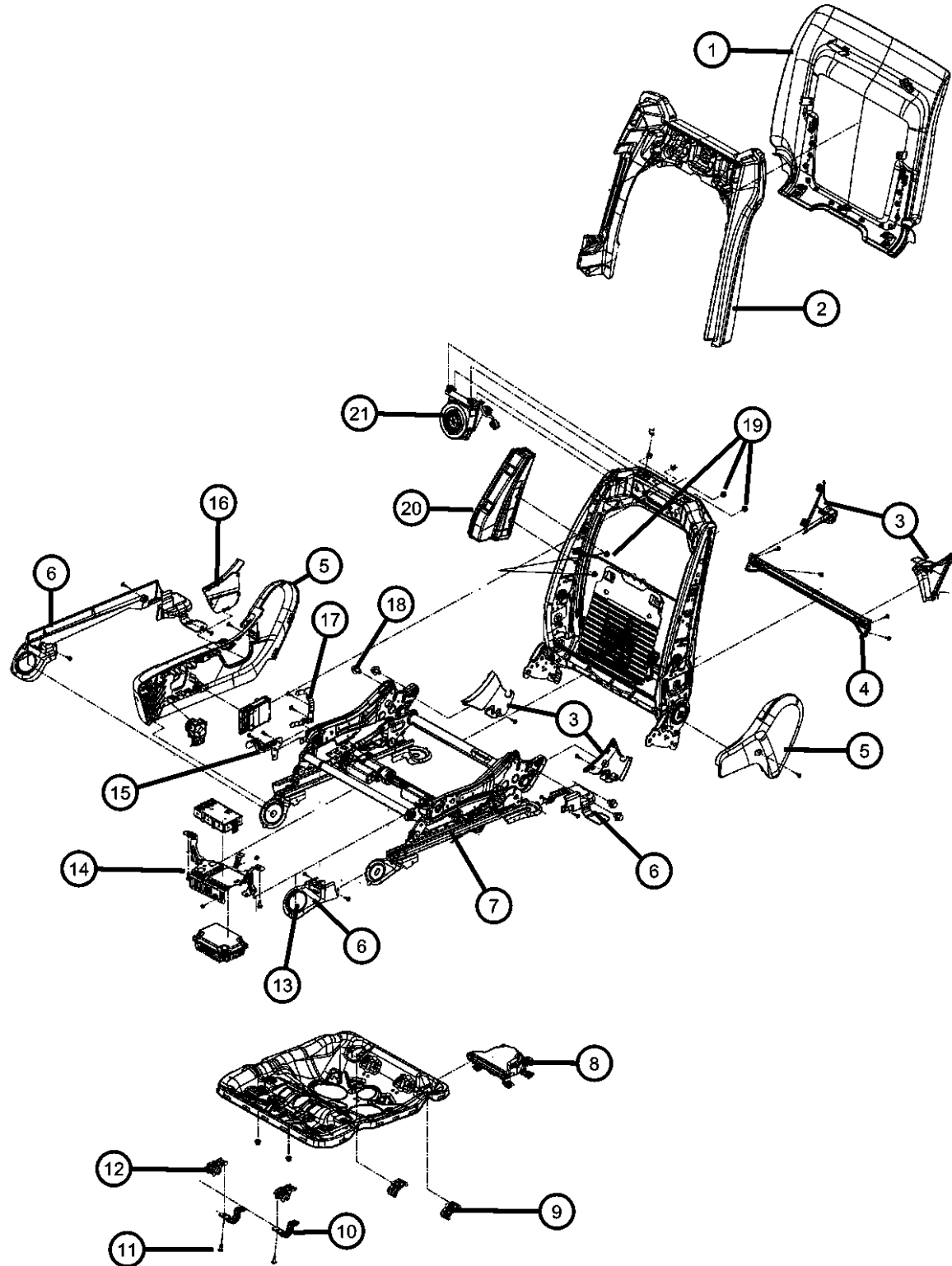
ENGINE
 ERB = 3.0L Mid V6 Engine
 EZH = 5.7L V8 HEMI MDS VVT Engine
 EXF = 3.0L V6 Turbo Diesel Engine

TRANSMISSION
 DGQ = 5-Speed Automatic 545RFE Transmission
 DGJ = 5-Speed Auto W5A580 Transmission

AR = use ase required - = Non illustrated part

Adjusters, Recliners and Shields - Passenger Seat - Power
Figure 50-915

ITEM	PART NUMBER	QTY	LINE	SERIES	BODY	ENGINE	TRANS	TRIM	DESCRIPTION
		1	J		74			*UL	[X9], [JT2], [SUB], Front, Inboard
		1	J, T		74			*F7	[X9], [JPR], [JKV], Front, Inboard
		1	J		74			*F7	[X9], [JT4], Front, Inboard
		1	J, T		74			*UL	[X9], [JTE], [JPM], Front, Inboard
		1	J		74			*UL	[X9], [JTE], [JPM], [JPZ], Front, Inboard
		1	J		74			*F7	[X9], [JT4], [JPM], Front, Inboard
	1TM341L1AA	1	U		74			*UL	[XL], [JT2], [NHS], [SUB], Front, Inboard
		1	J		74			*UL	[X9], [JT2], [NHS], [SUB], Front, Inboard
		1	U		74			*UL	[XL], [JT2], [SUB], Front, Inboard
	1TM34DX9AA	1	U		74			*GL	[XT], [JT2], Front, Inboard
		1	U		74			*F7	[X9], [JTE], Front, Inboard
		1	U		74			*GL	[X9], [JT2], Front, Inboard
		1	U		74			*UL	[X9], [JT2], [NHS], [SUB], Front, Inboard
		1	U		74			*GL	[L9], [JT2], Front, Inboard
	1TM351L1AA	1	J		74			*UL	[XL], [JT2], [SUB], Rear, Inboard
		1	J, T		74			*GL	[L9], [JT2], Rear, Inboard
		1	U		74			*UL	[X9], [JT2], [SUB], Front, Inboard
		1	J		74			*GL	[L9], [JT2], Rear, Inboard
		1	J, T		74			*DL	[XL], [JT2], [CAJ], [NHS], [SUB], Rear, Inboard
		1	J, T		74			*UL	[XL], [JT2], Rear, Inboard
	1TM35BD3AA	1	J, T		74			*F7	[D3], [JPR], Rear, Inboard
		1	J		74			*UL	[XL], [JT2], [NHS], [SUB], Rear, Inboard
	1TM35DX9AA	1	J, T		74			*F7	[X9], [JPR], Rear, Inboard
		1	J, T		74			*F7	[D3], [JPR], [JKV], Rear, Inboard
		1	J, T		74			*UL	[D3], [JTE], [JPM], Rear, Inboard
		1	J, T		74			*GL	[XT], [JT2], Rear, Inboard
		1	J, T		74			*F7	[X9], [JPR], [JKV], Rear, Inboard
		1	J, T		74			*DL	[X9], [JT2], [CAJ], [NHS], [SUB], Rear, Inboard
		1	J, T		74			*GL	[X9], [JT2], Rear, Inboard
		1	J		74			*GL	[X9], [JT2], Rear, Inboard
		1	J		74			*GL	[XT], [JT2], Rear, Inboard



GRAND CHEROKEE (WK)

SERIES LINE
H = HIGHLINE T = JEEP - 2WD
P = PREMIUM J = JEEP - 4WD
S = SPORT U = JEEP - 4WD (RHD)

BODY
74 = SPORT UTILITY 4-DR TYPE #4

ENGINE
ERB = 3.0L Mid V6 Engine
EZH = 5.7L V8 HEMI MDS VVT Engine
EXF = 3.0L V6 Turbo Diesel Engine

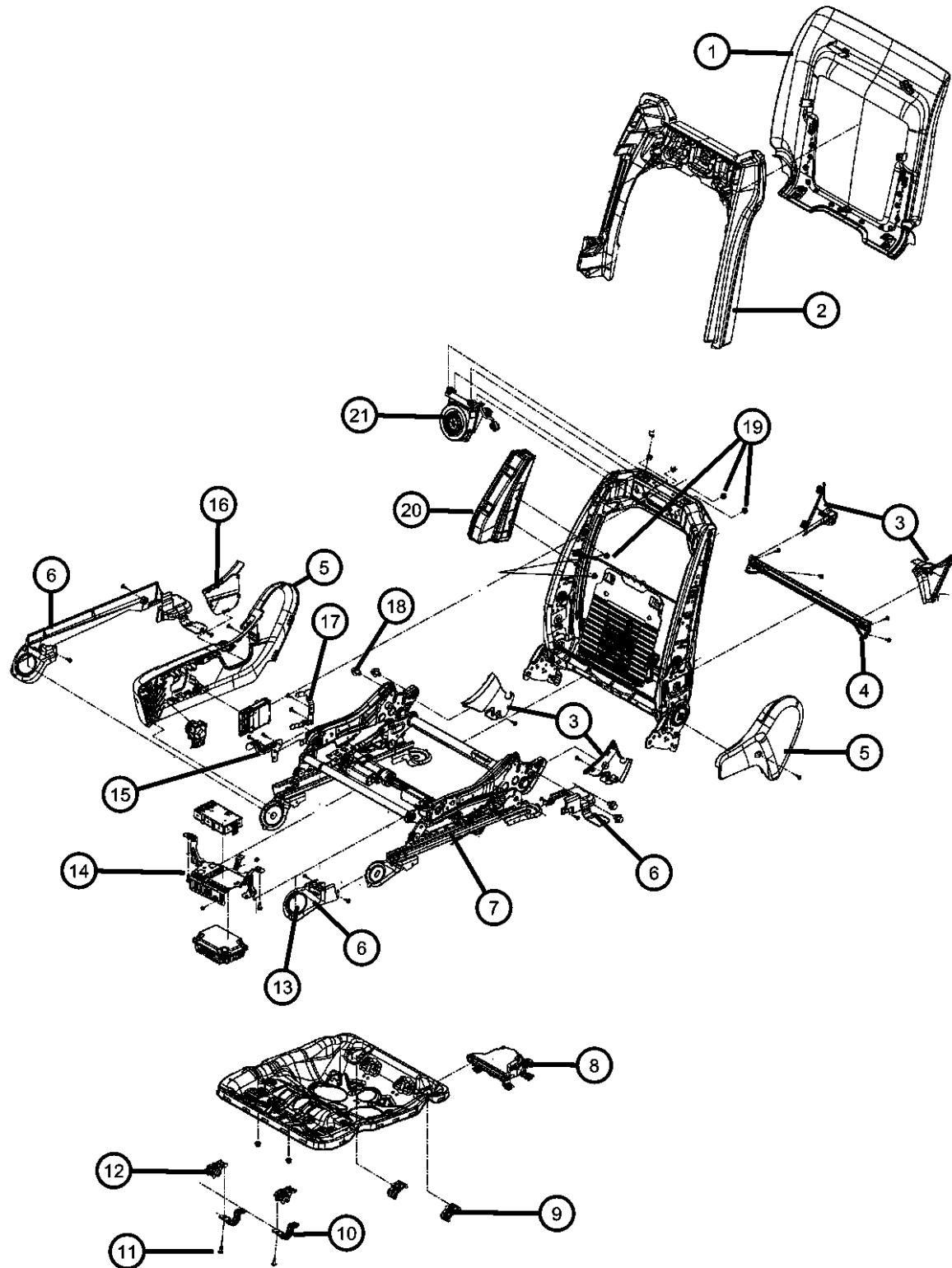
TRANSMISSION
DGQ = 5-Speed Automatic 545RFE Transmission
DGJ = 5-Speed Auto W5A580 Transmission

AR = use ase required - = Non illustrated part

2011 WK

Adjusters, Recliners and Shields - Passenger Seat - Power
Figure 50-915

ITEM	PART NUMBER	QTY	LINE	SERIES	BODY	ENGINE	TRANS	TRIM	DESCRIPTION
		1	J, T		74			*UL	[X9], [JT2], Rear, Inboard
		1	J		74			*UL	[X9], [JT2], [SUB], Rear, Inboard
		1	J		74			*UL	[X9], [JT2], [NHS], [SUB], Rear, Inboard
		1	J		74			*F7	[X9], [JT4], Rear, Inboard
		1	J, T		74			*UL	[X9], [JTE], [JPM], Rear, Inboard
		1	J		74			*UL	[X9], [JTE], [JPM], [JPZ], Rear, Inboard
		1	J		74			*F7	[X9], [JT4], [JPM], Rear, Inboard
	1TM361L1AA	1	U		74			*GL	[L9], [JT2], Rear, Inboard
		1	U		74			*UL	[XL], [JT2], [SUB], Rear, Inboard
	1TM36DX9AA	1	U		74			*GL	[XT], [JT2], Rear, Inboard
		1	U		74			*F7	[X9], [JTE], Rear, Inboard
		1	U		74			*GL	[X9], [JT2], Rear, Inboard
		1	U		74			*UL	[X9], [JT2], [NHS], [SUB], Rear, Inboard
	1TM371L1AA	1	J, T		74			*GL	[L9], [JT2], Outboard
		1	U		74			*UL	[XL], [JT2], [NHS], [SUB], Rear, Inboard
		1	J, T		74			*DL	[XL], [JT2], [CAJ], [NHS], [SUB], Outboard
		1	J, T		74			*UL	[XL], [JT2], Outboard
	1TM37BD3AA	1	J, T		74			*F7	[D3], [JPR], Outboard
		1	J		74			*UL	[XL], [JT2], [NHS], [SUB], Outboard
		1	J		74			*UL	[XL], [JT2], [SUB], Outboard
	1TM37DX9AA	1	J, T		74			*F7	[X9], [JPR], Outboard
		1	J, T		74			*F7	[D3], [JPR], [JKV], Outboard
		1	U		74			*UL	[X9], [JT2], [SUB], Rear, Inboard
		1	J		74			*GL	[L9], [JT2], Outboard
		1	J, T		74			*DL	[X9], [JT2], [CAJ], [NHS], [SUB], Outboard
		1	J, T		74			*GL	[X9], [JT2], Outboard
		1	J		74			*GL	[X9], [JT2], Outboard
		1	J		74			*GL	[XT], [JT2], Outboard
		1	J, T		74			*UL	[X9], [JT2], Outboard
		1	J		74			*UL	[X9], [JT2], [SUB], Outboard



GRAND CHEROKEE (WK)

SERIES LINE
H = HIGHLINE T = JEEP - 2WD
P = PREMIUM J = JEEP - 4WD
S = SPORT U = JEEP - 4WD (RHD)

BODY
74 = SPORT UTILITY 4-DR TYPE #4

ENGINE
ERB = 3.0L Mid V6 Engine
EZH = 5.7L V8 HEMI MDS VVT Engine
EXF = 3.0L V6 Turbo Diesel Engine

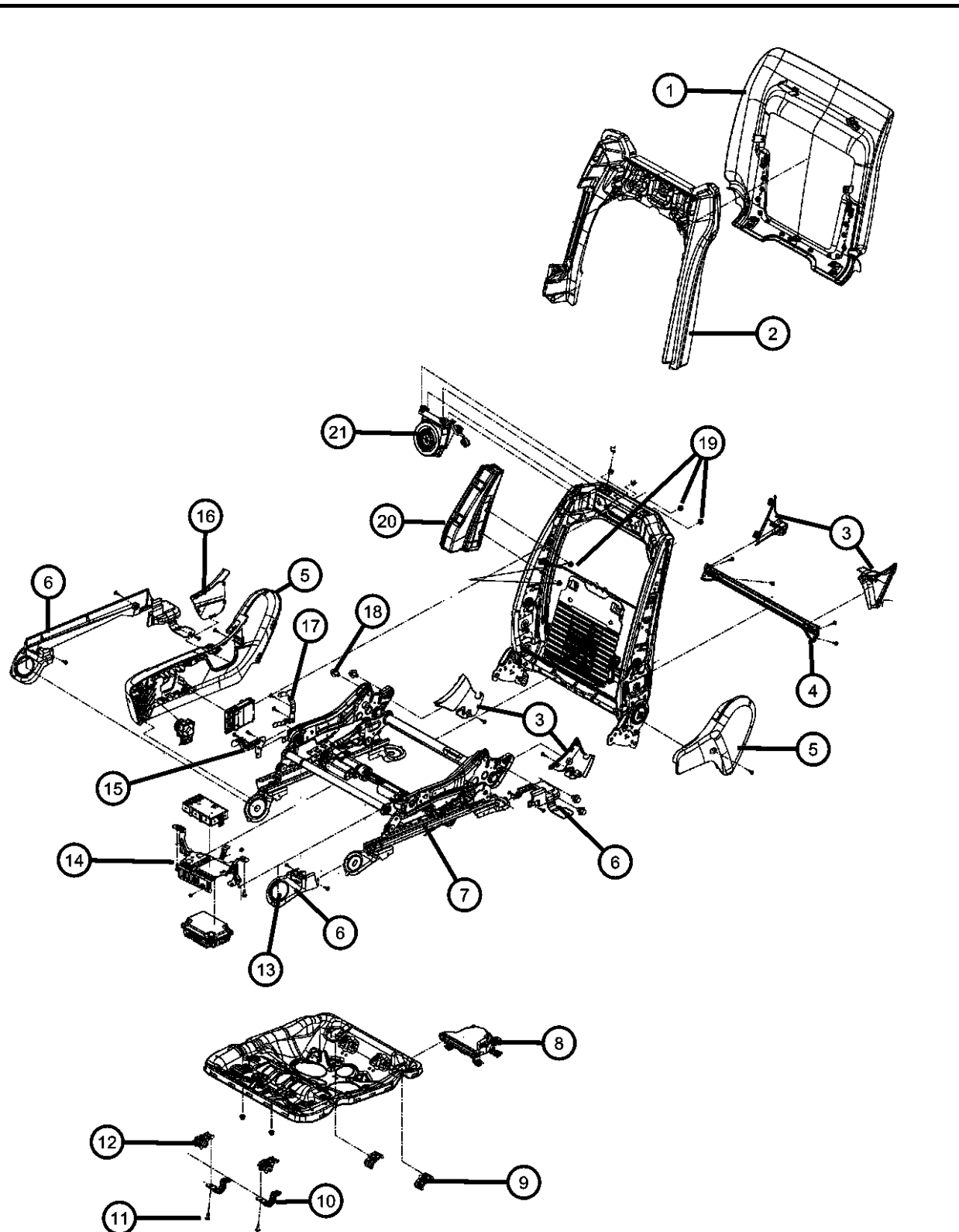
TRANSMISSION
DGQ = 5-Speed Automatic 545RFE Transmission
DGJ = 5-Speed Auto W5A580 Transmission

AR = use ase required - = Non illustrated part

2011 WK

Adjusters, Recliners and Shields - Passenger Seat - Power

Figure 50-915

ITEM	PART NUMBER	QTY	LINE	SERIES	BODY	ENGINE	TRANS	TRIM	DESCRIPTION	
	1TM381L1AA	1	J		74			*UL	[X9], [JT2], [NHS], [SUB], Outboard	
		1	J, T		74			*UL	[D3], [JTE], [JPM], Outboard	
		1	J, T		74			*GL	[XT], [JT2], Outboard	
		1	J, T		74			*F7	[X9], [JPR], [JKV], Outboard	
		1	J		74			*F7	[X9], [JT4], [JPM], Outboard	
		1	U		74			*UL	[XL], [JT2], [NHS], [SUB], Outboard	
		1	U		74			*GL	[L9], [JT2], Outboard	
		1	J		74			*F7	[X9], [JT4], Outboard	
		1	J, T		74			*UL	[X9], [JTE], [JPM], Outboard	
		1	J		74			*UL	[X9], [JTE], [JPM], [JPZ], Outboard	
		1TM38DX9AA	1	U		74			*UL	[X9], [JT2], [SUB], Outboard
		1	U		74			*UL	[XL], [JT2], [SUB], Outboard	
		1	U		74			*GL	[XT], [JT2], Outboard	
		1	U		74			*F7	[X9], [JTE], Outboard	
		1	U		74			*GL	[X9], [JT2], Outboard	
		1	U		74			*UL	[X9], [JT2], [NHS], [SUB], Outboard	
		1	U		74			*F7	[X9], [JTE], [JPM], Front, Inboard	
		1	U		74			*F7	[X9], [JTE], [JPM], Rear, Inboard	
		1	U		74			*F7	[X9], [JTE], [JPM], Outboard	
	7									ADJUSTER, Power Seat
	04610302AE	1	J, T		74			*UL	[JTE], [JPM]	
	04610303AE	1	U		74			*UL	[JT2], [SUB]	
		1	U		74			*GL	[JT2]	
		1	U		74			*F7	[JTE], [JPM]	
		1	U		74			*UL	[JT2], [NHS], [SUB]	
		1	J, T		74			*GL	[JT2]	
		1	J, T		74			*DL	[JT2], [CAJ], [NHS], [SUB]	
		1	J		74			*GL	[JT2]	
		1	J		74			*UL	[JT2], [NHS], [SUB]	
		1	J, T		74			*UL	[JT2]	
		1	J		74			*UL	[JTE], [JPM], [JPZ]	
		1	J		74			*F7	[JT4]	

GRAND CHEROKEE (WK)

SERIES LINE

H = HIGHLINE T = JEEP - 2WD
P = PREMIUM J = JEEP - 4WD
S = SPORT U = JEEP - 4WD (RHD)

BODY
74 = SPORT UTILITY 4-DR TYPE #4

ENGINE
ERB = 3.0L V6 Engine
EZH = 5.7L V8 HEMI MDS VVT Engine
EXF = 3.0L V6 Turbo Diesel Engine

TRANSMISSION
DGQ = 5-Spd Automatic 545RFE Transmission
DGJ = 5-Speed Auto W5A580 Transmission

AR = use ase required - = Non illustrated part

2011 WK

Adjusters, Recliners and Shields - Passenger Seat - Power
Figure 50-915

ITEM	PART NUMBER	QTY	LINE	SERIES	BODY	ENGINE	TRANS	TRIM	DESCRIPTION
8	04610263AC	1	J		74			*UL	[JT2], [SUB]
		1	J		74			*F7	[JT4], [JPM]
		1	U		74			*F7	[JTE]
		2	J, T		74			*GL	[JT2]
		2	J, T		74			*DL	[JT2], [CAJ], [NHS], [SUB]
9	04610343AA	2	J		74			*GL	[JT2]
		2	U		74			*GL	[JT2]
		4	J		74			*GL	[JT2]
		4	U		74			*F7	[JTE]
		4	J		74			*UL	[JT2], [NHS], [SUB]
		4	J, T		74			*UL	[JT2]
		4	J		74			*F7	[JT4]
		4	J		74			*UL	[JT2], [SUB]
		4	U		74			*F7	[JTE], [JPM]
		4	U		74			*GL	[JT2]
		4	U		74			*UL	[JT2], [SUB]
		4	U		74			*UL	[JT2], [NHS], [SUB]
		4	J		74			*UL	[JTE], [JPM], [JPZ]
		4	J		74			*F7	[JT4], [JPM]
		4	J, T		74			*UL	[JTE], [JPM]
10	04610345AA	4	J, T		74			*GL	[JT2]
		4	J, T		74			*DL	[JT2], [CAJ], [NHS], [SUB]
		4	J		74			*GL	[JT2]
		4	U		74			*F7	[JTE]
		4	J		74			*UL	[JT2], [NHS], [SUB]
		4	J, T		74			*UL	[JT2]
		4	J		74			*F7	[JT4]
		4	J		74			*UL	[JT2], [SUB]
		4	U		74			*F7	[JTE], [JPM]
		4	U		74			*GL	[JT2]

GRAND CHEROKEE (WK)

SERIES LINE
H = HIGHLINE T = JEEP - 2WD
P = PREMIUM J = JEEP - 4WD
S = SPORT U = JEEP - 4WD (RHD)

BODY
74 = SPORT UTILITY 4-DR
TYPE #4

ENGINE
ERB = 3.0L V6 Engine
EZH = 5.7L V8 HEMI MDS
VVT Engine
EXF = 3.0L V6 Turbo Diesel
Engine

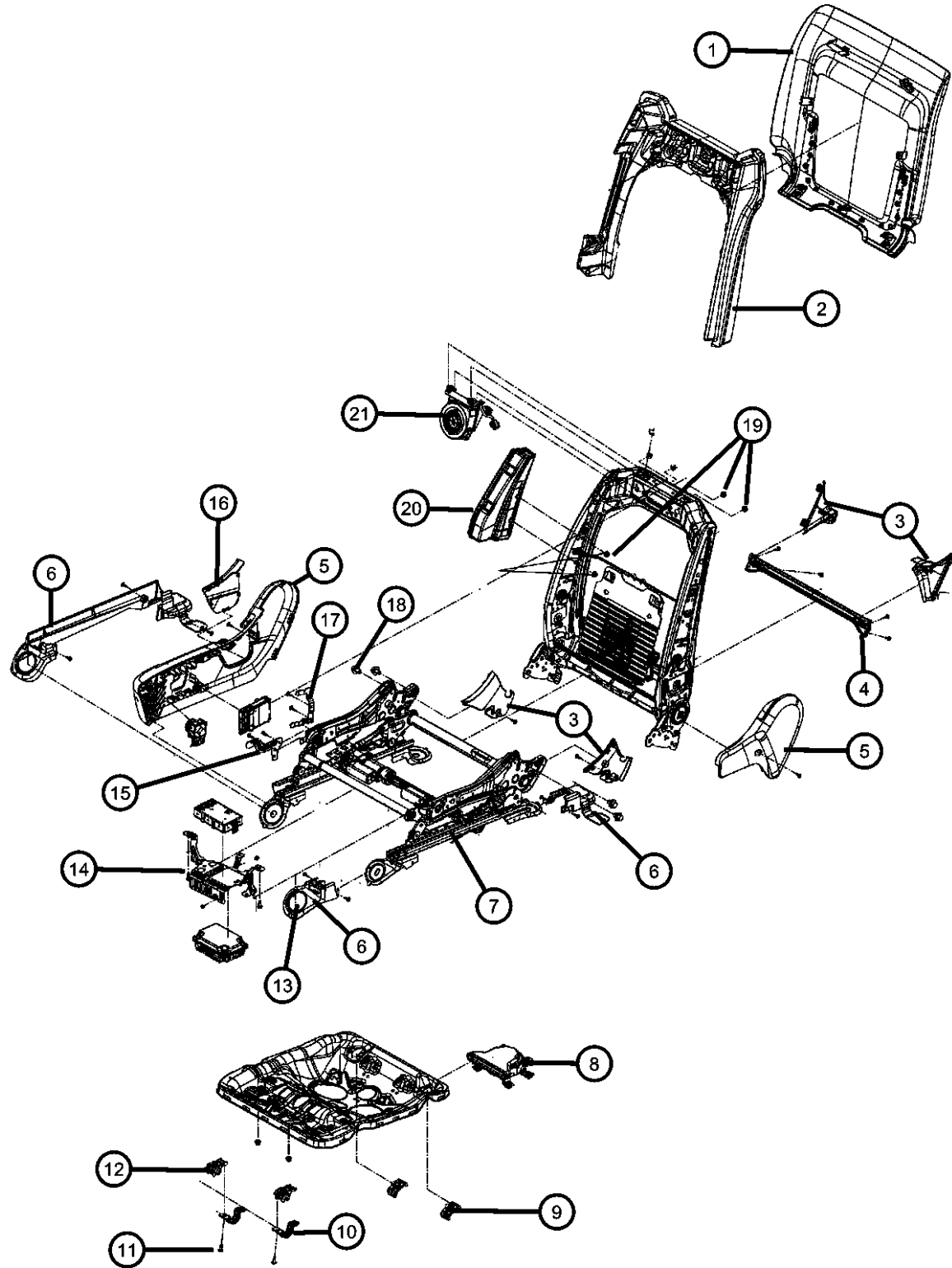
TRANSMISSION
DGQ = 5-Spd Automatic 545RFE
Transmission
DGJ = 5-Speed Auto W5A580
Transmission

AR = use ase required - = Non illustrated part

2011 WK

Adjusters, Recliners and Shields - Passenger Seat - Power
Figure 50-915

ITEM	PART NUMBER	QTY	LINE	SERIES	BODY	ENGINE	TRANS	TRIM	DESCRIPTION
		4	U		74			*UL	[JT2], [NHS], [SUB]
		4	J		74			*UL	[JTE], [JPM], [JPZ]
		4	J		74			*F7	[JT4], [JPM]
		4	J, T		74			*UL	[JTE], [JPM]
		4	J, T		74			*GL	[JT2]
		4	J, T		74			*DL	[JT2], [CAJ], [NHS], [SUB]
11	05010302AA	8	J, T		74			*F7	BOLT, Hex Head
12	04610341AA	4	J		74			*GL	BRACKET, Seat, Hinged Spacer
		4	U		74			*F7	[JTE]
		4	J		74			*UL	[JT2], [NHS], [SUB]
		4	J, T		74			*UL	[JT2]
		4	J		74			*F7	[JT4]
		4	J		74			*UL	[JT2], [SUB]
		4	U		74			*F7	[JTE], [JPM]
		4	U		74			*GL	[JT2]
		4	U		74			*UL	[JT2], [SUB]
		4	U		74			*UL	[JT2], [NHS], [SUB]
		4	J		74			*UL	[JTE], [JPM], [JPZ]
		4	J		74			*F7	[JT4], [JPM]
		4	J, T		74			*UL	[JTE], [JPM]
		4	J, T		74			*GL	[JT2]
		4	J, T		74			*DL	[JT2], [CAJ], [NHS], [SUB]
13	1GR401L1AB	4	J, T		74			*UL	COVER
		4	J		74			*GL	[XL], [JT2]
		4	J, T		74			*DL	[XL], [JT2], [CAJ], [NHS], [SUB]
		4	J		74			*UL	[XL], [JT2], [SUB]
		4	J		74			*UL	[XL], [JT2], [NHS], [SUB]
		4	U		74			*GL	[L9], [JT2]
		4	U		74			*UL	[XL], [JT2], [SUB]
		4	U		74			*UL	[XL], [JT2], [NHS], [SUB]
	1GR40DX9AB	4	J, T		74			*DL	[X9], [JT2], [CAJ], [NHS], [SUB]
		4	J, T		74			*GL	[X9], [JT2]



GRAND CHEROKEE (WK)

SERIES LINE
H = HIGHLINE T = JEEP - 2WD
P = PREMIUM J = JEEP - 4WD
S = SPORT U = JEEP - 4WD (RHD)

BODY
74 = SPORT UTILITY 4-DR
TYPE #4

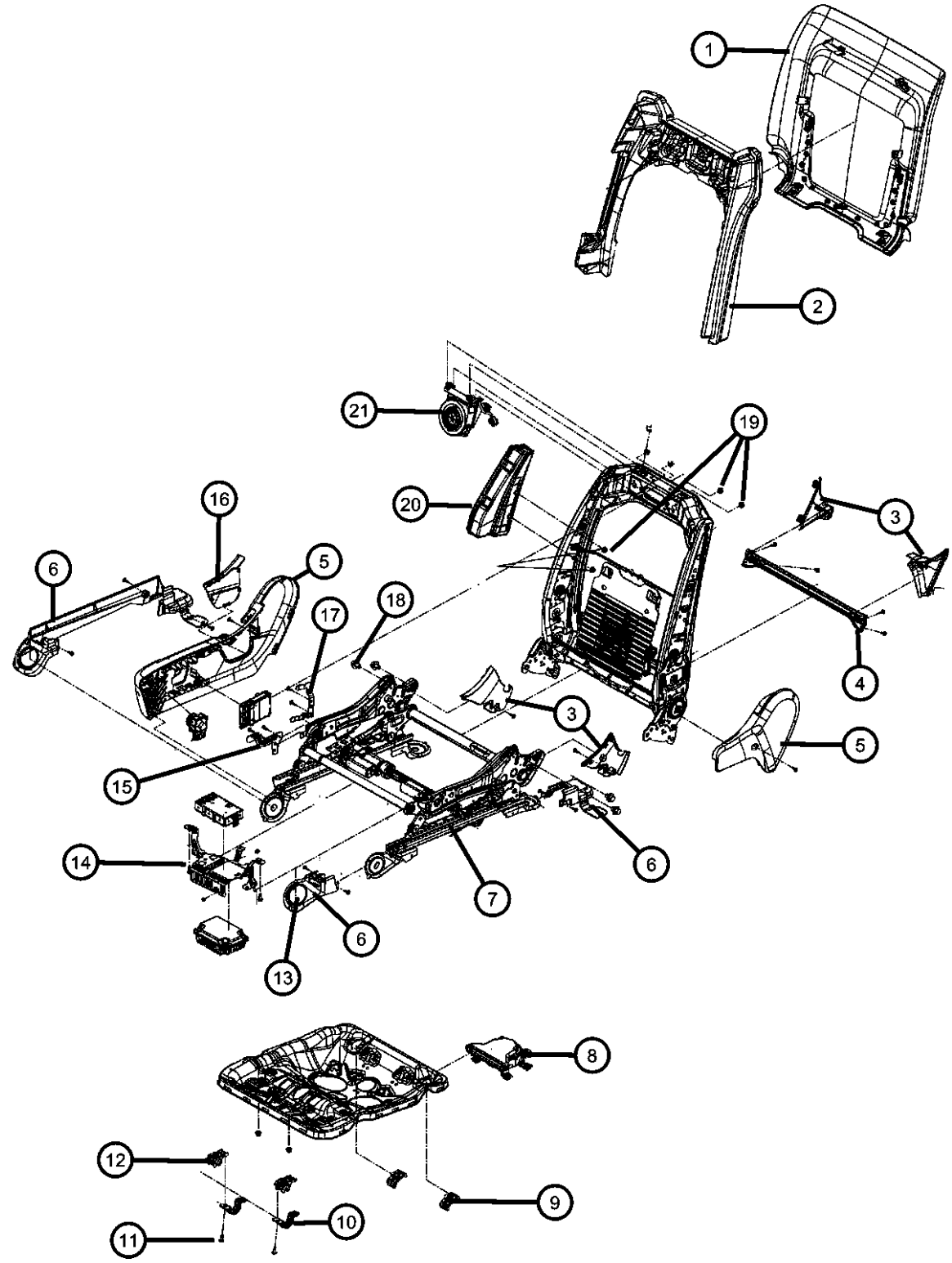
ENGINE
ERB = 3.0L Mid V6 Engine
EZH = 5.7L V8 HEMI MDS
VVT Engine
EXF = 3.0L V6 Turbo Diesel
Engine

TRANSMISSION
DGQ = 5-Spd Automatic 545RFE
Transmission
DGJ = 5-Speed Auto W5A580
Transmission

AR = use ase required - = Non illustrated part

2011 WK

Adjusters, Recliners and Shields - Passenger Seat - Power
Figure 50-915



ITEM	PART NUMBER	QTY	LINE	SERIES	BODY	ENGINE	TRANS	TRIM	DESCRIPTION
		4	J, T		74			*GL	[XT], [JT2]
		4	J		74			*GL	[XT], [JT2]
		4	J, T		74			*UL	[X9], [JT2]
		4	J		74			*GL	[X9], [JT2]
		4	U		74			*GL	[X9], [JT2]
		1	U		74			*F7	[X9], [JTE]
		4	J		74			*UL	[X9], [JT2], [NHS], [SUB]
		4	J		74			*UL	[X9], [JT2], [SUB]
		4	U		74			*GL	[XT], [JT2]
		4	J		74			*F7	[X9], [JT4]
		4	U		74			*UL	[X9], [JT2], [SUB]
		4	U		74			*F7	[X9], [JTE], [JPM]
		4	J		74			*UL	[X9], [JTE], [JPM], [JPZ]
		4	J, T		74			*UL	[X9], [JTE], [JPM]
		4	U		74			*UL	[X9], [JT2], [NHS], [SUB]
		4	J		74			*F7	[X9], [JT4], [JPM]
		4	J, T		74			*GL	[L9], [JT2]
14	1GR40BD3AB	4	J, T		74			*UL	[D3], [JTE], [JPM]
									BRACKET, Seat, Passenger Module
	68086317AA	1	J, T		74			*F7	[JPR], [JKV]
		1	J, T		74			*GL	[JT2]
		1	J, T		74			*DL	[JT2], [CAJ], [NHS], [SUB]
		1	J, T		74			*UL	[JT2]
		1	J		74			*GL	[JT2]
		1	J		74			*UL	[JT2], [NHS], [SUB]
		1	U		74			*GL	[JT2]
		1	J		74			*UL	[JT2], [SUB]
		1	U		74			*F7	[JTE], [JPM]
		1	J		74			*UL	[JTE], [JPM], [JPZ]
		1	U		74			*UL	[JT2], [SUB]
		1	U		74			*UL	[JT2], [NHS], [SUB]
		1	J		74			*F7	[JT4], [JPM]
		1	J, T		74			*UL	[JTE], [JPM]

GRAND CHEROKEE (WK)

SERIES LINE
H = HIGHLINE T = JEEP - 2WD
P = PREMIUM J = JEEP - 4WD
S = SPORT U = JEEP - 4WD (RHD)

BODY
74 = SPORT UTILITY 4-DR TYPE #4

ENGINE
ERB = 3.0L Mid V6 Engine
EZH = 5.7L V8 HEMI MDS VVT Engine
EXF = 3.0L V6 Turbo Diesel Engine

TRANSMISSION
DGQ = 5-Spd Automatic 545RFE Transmission
DGJ = 5-Speed Auto W5A580 Transmission

AR = use ase required - = Non illustrated part

2011 WK

Adjusters, Recliners and Shields - Passenger Seat - Power
Figure 50-915

ITEM	PART NUMBER	QTY	LINE	SERIES	BODY	ENGINE	TRANS	TRIM	DESCRIPTION	
15	68086186AA	1	J, T		74			*F7	BRACKET, Seat, Front Shield Attaching [JPR]	
		1	J, T		74			*F7	[JPR], [JKV]	
		2	J, T		74			*GL	[JT2]	
		2	J, T		74			*DL	[JT2], [CAJ], [NHS], [SUB]	
		2	J, T		74			*UL	[JT2]	
		2	J		74			*GL	[JT2]	
		2	U		74			*F7	[JTE]	
		2	J		74			*UL	[JT2], [NHS], [SUB]	
		2	U		74			*GL	[JT2]	
		2	J		74			*F7	[JT4]	
		2	J		74			*UL	[JT2], [SUB]	
		2	U		74			*F7	[JTE], [JPM]	
		2	J		74			*UL	[JTE], [JPM], [JPM]	
		2	U		74			*UL	[JT2], [SUB]	
		2	U		74			*UL	[JT2], [NHS], [SUB]	
16	1GS461L1AD	1	J, T		74			*GL	COVER, Seat Belt Anchor [XL], [JT2]	
		1	J, T		74			*DL	[XL], [JT2], [CAJ], [NHS], [SUB]	
		1	J		74			*F7	[X9], [JT4]	
		1	J		74			*F7	[X9], [JT4], [JPM]	
		1	J		74			*GL	[L9], [JT2]	
		1	J		74			*UL	[XL], [JT2], [NHS], [SUB]	
		1	J, T		74			*UL	[XL], [JT2]	
		1GS46DX9AD	1	J, T		74			*GL	[X9], [JT2]
		1	J		74			*UL	[XL], [JT2], [SUB]	
		1GS46BD3AD	1	J, T		74			*UL	[D3], [JTE], [JPM]
		1	J		74			*GL	[X9], [JT2]	
		1	J, T		74			*DL	[X9], [JT2], [CAJ], [NHS], [SUB]	
		1	J, T		74			*UL	[X9], [JT2]	
		1	J		74			*UL	[X9], [JTE], [JPM], [JPZ]	

GRAND CHEROKEE (WK)

SERIES LINE
H = HIGHLINE T = JEEP - 2WD
P = PREMIUM J = JEEP - 4WD
S = SPORT U = JEEP - 4WD (RHD)

BODY
74 = SPORT UTILITY 4-DR TYPE #4

ENGINE
ERB = 3.0L Mid V6 Engine
EZH = 5.7L V8 HEMI MDS VVT Engine
EXF = 3.0L V6 Turbo Diesel Engine

TRANSMISSION
DGQ = 5-Spd Automatic 545RFE Transmission
DGJ = 5-Speed Auto W5A580 Transmission

AR = use ase required - = Non illustrated part

2011 WK

Adjusters, Recliners and Shields - Passenger Seat - Power
Figure 50-915

ITEM	PART NUMBER	QTY	LINE	SERIES	BODY	ENGINE	TRANS	TRIM	DESCRIPTION
		1	J		74			*UL	[X9], [JT2], [NHS], [SUB]
		1	J		74			*UL	[X9], [JT2], [SUB]
		1	J, T		74			*UL	[X9], [JTE], [JPM]
	1GS471L1AD	1	U		74			*UL	[XL], [JT2], [NHS], [SUB]
	1GS47DX9AD	1	U		74			*F7	[X9], [JTE], [JPM]
		1	U		74			*UL	[X9], [JT2], [SUB]
		1	U		74			*GL	[X9], [JT2]
		1	U		74			*F7	[X9], [JTE]
		1	U		74			*UL	[XL], [JT2], [SUB]
		1	U		74			*GL	[XL], [JT2]
		1	U		74			*UL	[X9], [JT2], [NHS], [SUB]
17	68086361AA	1	J, T		74			*GL	BRACKET, Seat, Center Shield [JT2]
		1	J, T		74			*DL	[JT2], [CAJ], [NHS], [SUB]
		1	J, T		74			*UL	[JT2]
		1	J		74			*GL	[JT2]
		1	U		74			*F7	[JTE]
		1	J		74			*UL	[JT2], [NHS], [SUB]
		1	U		74			*GL	[JT2]
		1	J		74			*UL	[JT2], [SUB]
		1	U		74			*F7	[JTE], [JPM]
		1	J		74			*UL	[JTE], [JPM], [JPZ]
		1	U		74			*UL	[JT2], [SUB]
		1	U		74			*UL	[JT2], [NHS], [SUB]
		1	J, T		74			*UL	[JTE], [JPM]
18	68030698AA	8	J, T		74			*F7	BOLT [JPR]
	68030698AB	8	J, T		74			*DL	[JT2], [CAJ], [NHS], [SUB]
		8	J, T		74			*F7	[JPR], [JKV]
		8	J, T		74			*GL	[JT2]
		8	U		74			*F7	[JTE]
		8	J, T		74			*UL	[JT2]
		8	J		74			*UL	[JT2], [NHS], [SUB]
		8	J		74			*GL	[JT2]

GRAND CHEROKEE (WK)

SERIES LINE
H = HIGHLINE T = JEEP - 2WD
P = PREMIUM J = JEEP - 4WD
S = SPORT U = JEEP - 4WD (RHD)

BODY
74 = SPORT UTILITY 4-DR
TYPE #4

ENGINE
ERB = 3.XL Mid V6 Engine
EZH = 5.7L V8 HEMI MDS
VVT Engine
EXF = 3.0L V6 Turbo Diesel
Engine

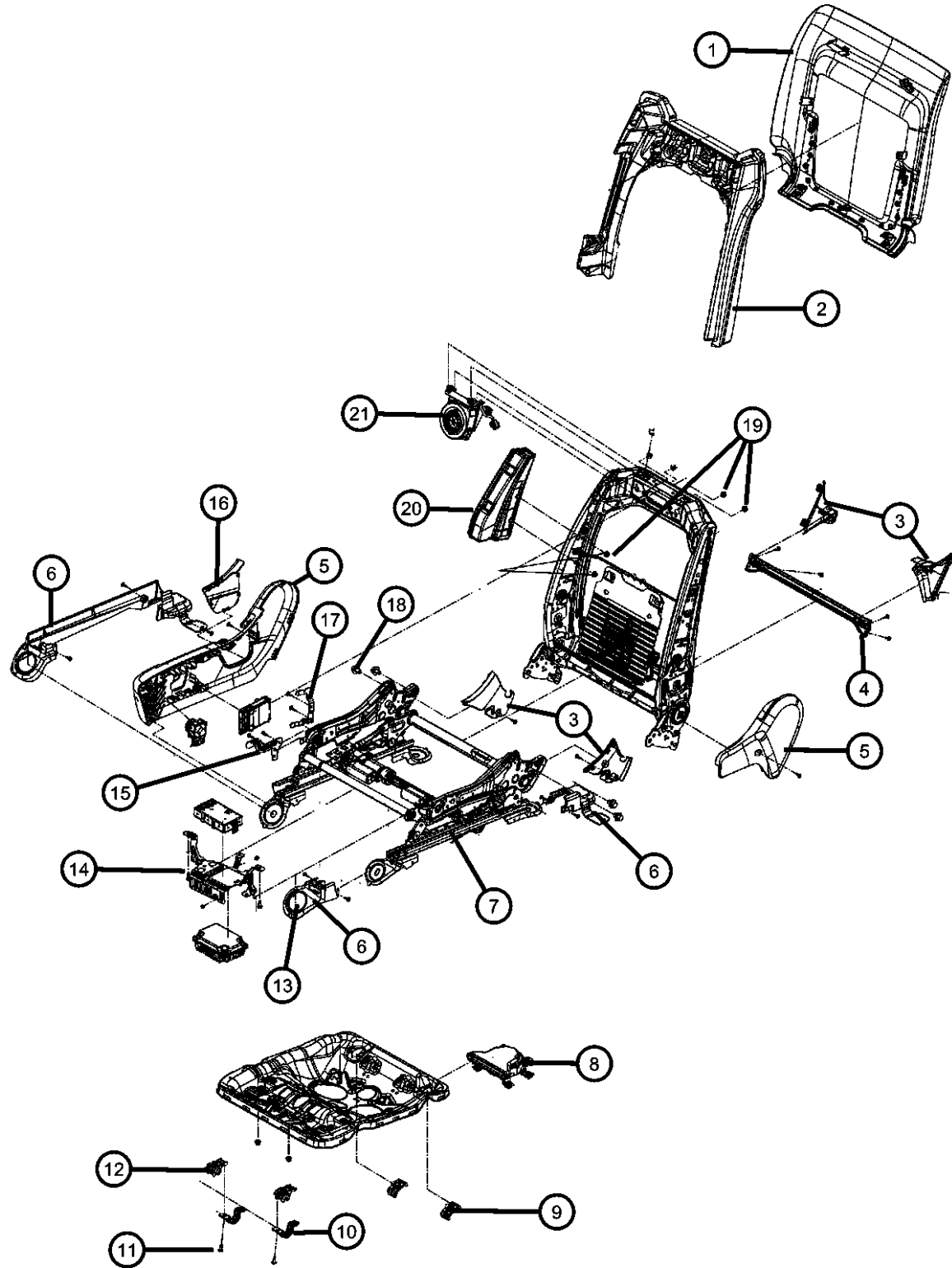
TRANSMISSION
DGQ = 5-Spd Automatic 545RFE
Transmission
DGJ = 5-Speed Auto W5A580
Transmission

AR = use ase required - = Non illustrated part

2011 WK

Adjusters, Recliners and Shields - Passenger Seat - Power
Figure 50-915

ITEM	PART NUMBER	QTY	LINE	SERIES	BODY	ENGINE	TRANS	TRIM	DESCRIPTION
		8	J		74			*F7	[JT4]
		8	J		74			*UL	[JT2], [SUB]
		8	U		74			*F7	[JTE], [JPM]
		8	U		74			*GL	[JT2]
		8	U		74			*UL	[JT2], [SUB]
		8	U		74			*UL	[JT2], [NHS], [SUB]
		8	J		74			*UL	[JTE], [JPM], [JPZ]
		8	J		74			*F7	[JT4], [JPM]
		8	J, T		74			*UL	[JTE], [JPM]
19									NUT
	68030695AB	16	J, T		74			*GL	[JT2]
		16	J, T		74			*DL	[JT2], [CAJ], [NHS], [SUB]
		16	J		74			*GL	[JT2]
		4	U		74			*F7	[JTE]
		4	J		74			*UL	[JT2], [NHS], [SUB]
		4	J, T		74			*UL	[JT2]
		4	J		74			*F7	[JT4]
		4	J		74			*UL	[JT2], [SUB]
		4	U		74			*F7	[JTE], [JPM]
		16	U		74			*GL	[JT2]
		4	U		74			*UL	[JT2], [SUB]
		4	U		74			*UL	[JT2], [NHS], [SUB]
		4	J		74			*UL	[JTE], [JPM], [JPZ]
		4	J		74			*F7	[JT4], [JPM]
		4	J, T		74			*UL	[JTE], [JPM]
20									AIR BAG, Seat
	05108022AB	1	J		74			*UL	[JT2], [NHS], [SUB]
		1	J, T		74			*UL	[JT2]
		1	J		74			*GL	[JT2]
		1	J		74			*UL	[JTE], [JPM], [JPZ]
		1	J		74			*F7	[JT4]
		1	J		74			*UL	[JT2], [SUB]
		1	J		74			*F7	[JT4], [JPM]
		1	J, T		74			*UL	[JTE], [JPM]



GRAND CHEROKEE (WK)

SERIES LINE
H = HIGHLINE T = JEEP - 2WD
P = PREMIUM J = JEEP - 4WD
S = SPORT U = JEEP - 4WD (RHD)

BODY
74 = SPORT UTILITY 4-DR
TYPE #4

ENGINE
ERB = 3.XL Mid V6 Engine
EZH = 5.7L V8 HEMI MDS
VVT Engine
EXF = 3.0L V6 Turbo Diesel
Engine

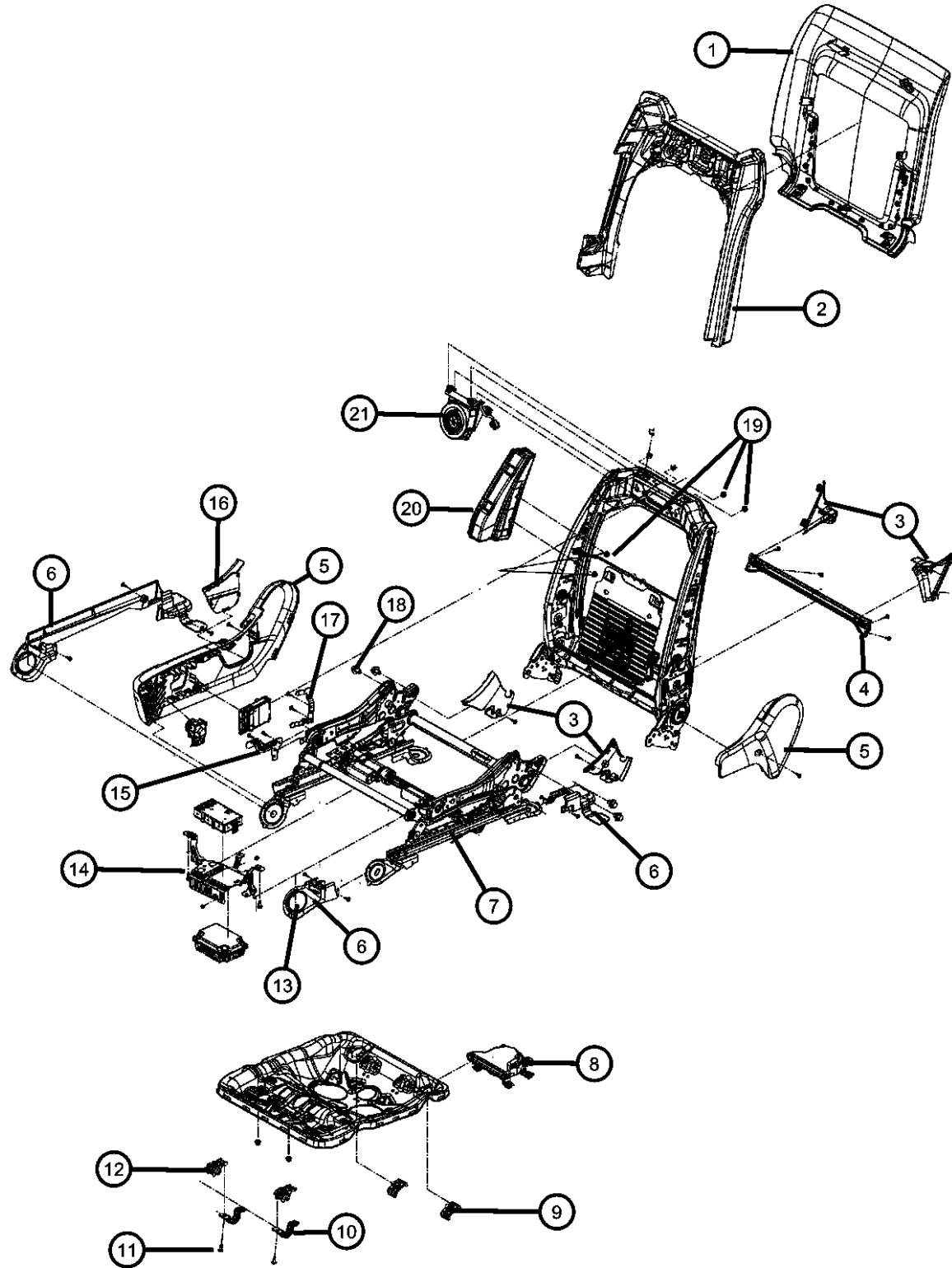
TRANSMISSION
DGQ = 5-Spd Automatic 545RFE
Transmission
DGJ = 5-Speed Auto W5A580
Transmission

AR = use ase required - = Non illustrated part

2011 WK

Adjusters, Recliners and Shields - Passenger Seat - Power
Figure 50-915

ITEM	PART NUMBER	QTY	LINE	SERIES	BODY	ENGINE	TRANS	TRIM	DESCRIPTION
	05108023AB	1	U		74			*UL	[JT2], [SUB]
		1	U		74			*GL	[JT2]
		1	U		74			*F7	[JTE], [JPM]
		1	U		74			*UL	[JT2], [NHS], [SUB]
		1	J, T		74			*DL	[JT2], [CAJ], [NHS], [SUB]
		1	J, T		74			*GL	[JT2]
		1	U		74			*F7	[JTE]
21									BLOWER, Seat Back
	04610222AC	2	J		74			*GL	[JT2]
		2	U		74			*GL	[JT2]
		2	J, T		74			*GL	[JT2]
		2	J, T		74			*DL	[JT2], [CAJ], [NHS], [SUB]
-22									BRACKET, Seat, Vehicle Connectors
	68086187AA	2	J, T		74			*F7	[JPR]
		1	J, T		74			*F7	[JPR], [JKV]
		2	U		74			*F7	[JTE]
		2	J		74			*F7	[JT4]
		1	U		74			*F7	[JTE], [JPM]
		1	J		74			*UL	[JTE], [JPM], [JPZ]
		1	J		74			*F7	[JT4], [JPM]
		1	J, T		74			*UL	[JTE], [JPM]
-23									BRACKET, Seat, Memory Module
	68086362AA	1	J, T		74			*GL	[JT2]
		1	J, T		74			*DL	[JT2], [CAJ], [NHS], [SUB]
		1	J, T		74			*UL	[JT2]
		1	J		74			*GL	[JT2]
		1	J		74			*UL	[JT2], [NHS], [SUB]
		1	U		74			*GL	[JT2]
		1	J		74			*UL	[JT2], [SUB]
		1	U		74			*UL	[JT2], [SUB]
		1	U		74			*UL	[JT2], [NHS], [SUB]
-24									HANDLE, Recliner
	1TM52DX9AA	1	J		74			*F7	[JT4]



GRAND CHEROKEE (WK)

SERIES

H = HIGHLINE

P = PREMIUM

S = SPORT

LINE

T = JEEP - 2WD

J = JEEP - 4WD

U = JEEP - 4WD (RHD)

BODY

74 = SPORT UTILITY 4-DR TYPE #4

ENGINE

ERB = 3.0L Mid V6 Engine

EZH = 5.7L V8 HEMI MDS

VVT Engine

EXF = 3.0L V6 Turbo Diesel

Engine

TRANSMISSION

DGQ = 5-Spd Automatic 545RFE

Transmission

DGJ = 5-Speed Auto W5A580

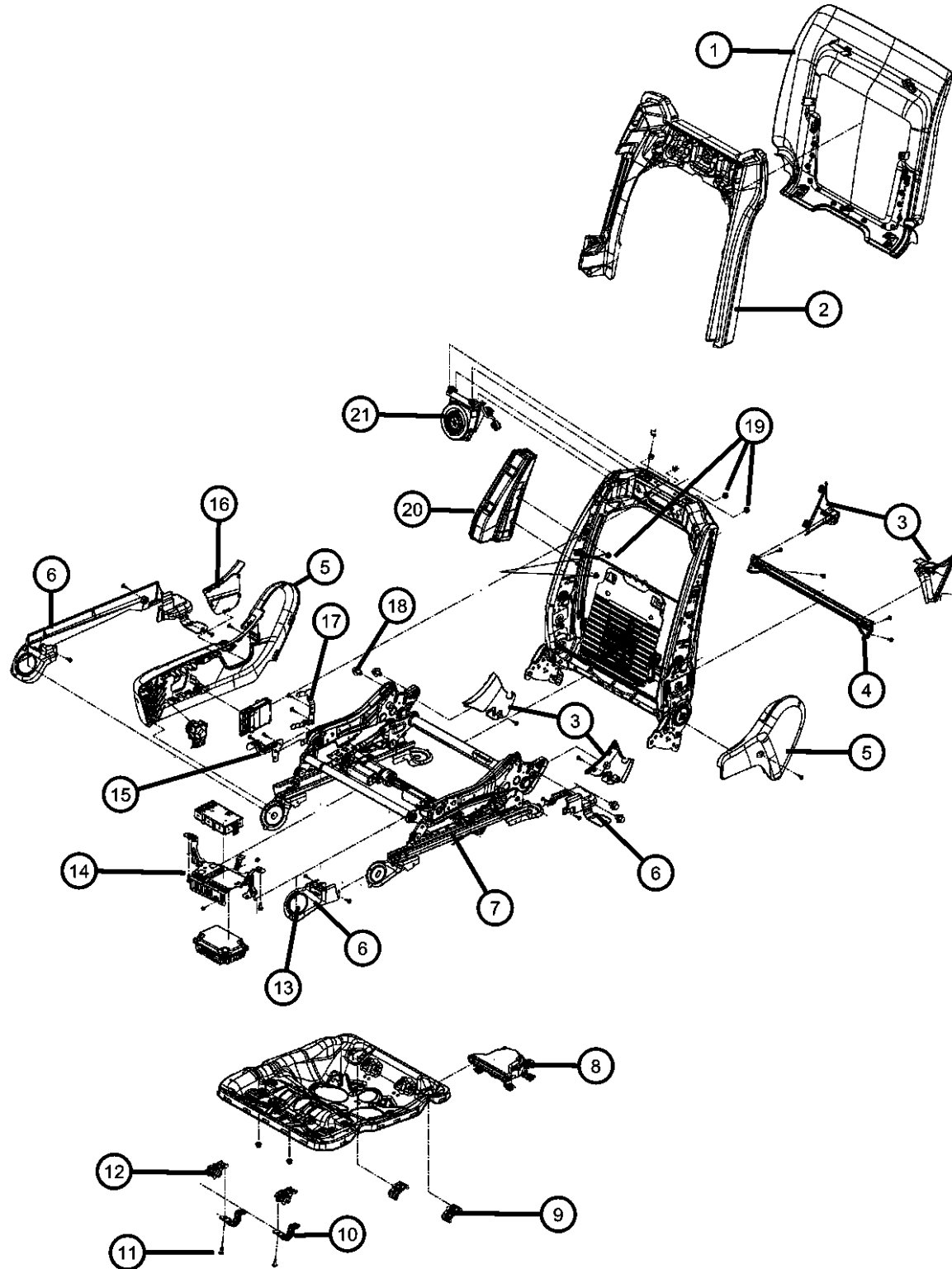
Transmission

AR = use ase required - = Non illustrated part

2011 WK

Adjusters, Recliners and Shields - Passenger Seat - Power
Figure 50-915

ITEM	PART NUMBER	QTY	LINE	SERIES	BODY	ENGINE	TRANS	TRIM	DESCRIPTION
		1	J		74			*F7	[JT4], [JPM]
-25	68086190AA	1	J		74			*F7	[JT4]
		1	J		74			*F7	[JT4], [JPM]
-26	1TM41DX9AA	1	J		74			*F7	[JT4], [JPM], Outboard
		1	J		74			*F7	[JT4], Outboard
	1TM47DX9AA	1	J		74			*F7	[JT4], Inboard
		1	J		74			*F7	[JT4], [JPM], Inboard



GRAND CHEROKEE (WK)

SERIES LINE
H = HIGHLINE T = JEEP - 2WD
P = PREMIUM J = JEEP - 4WD
S = SPORT U = JEEP - 4WD (RHD)

BODY
74 = SPORT UTILITY 4-DR
TYPE #4

ENGINE
ERB = 3.0L Mid V6 Engine
EZH = 5.7L V8 HEMI MDS
VVT Engine
EXF = 3.0L V6 Turbo Diesel
Engine

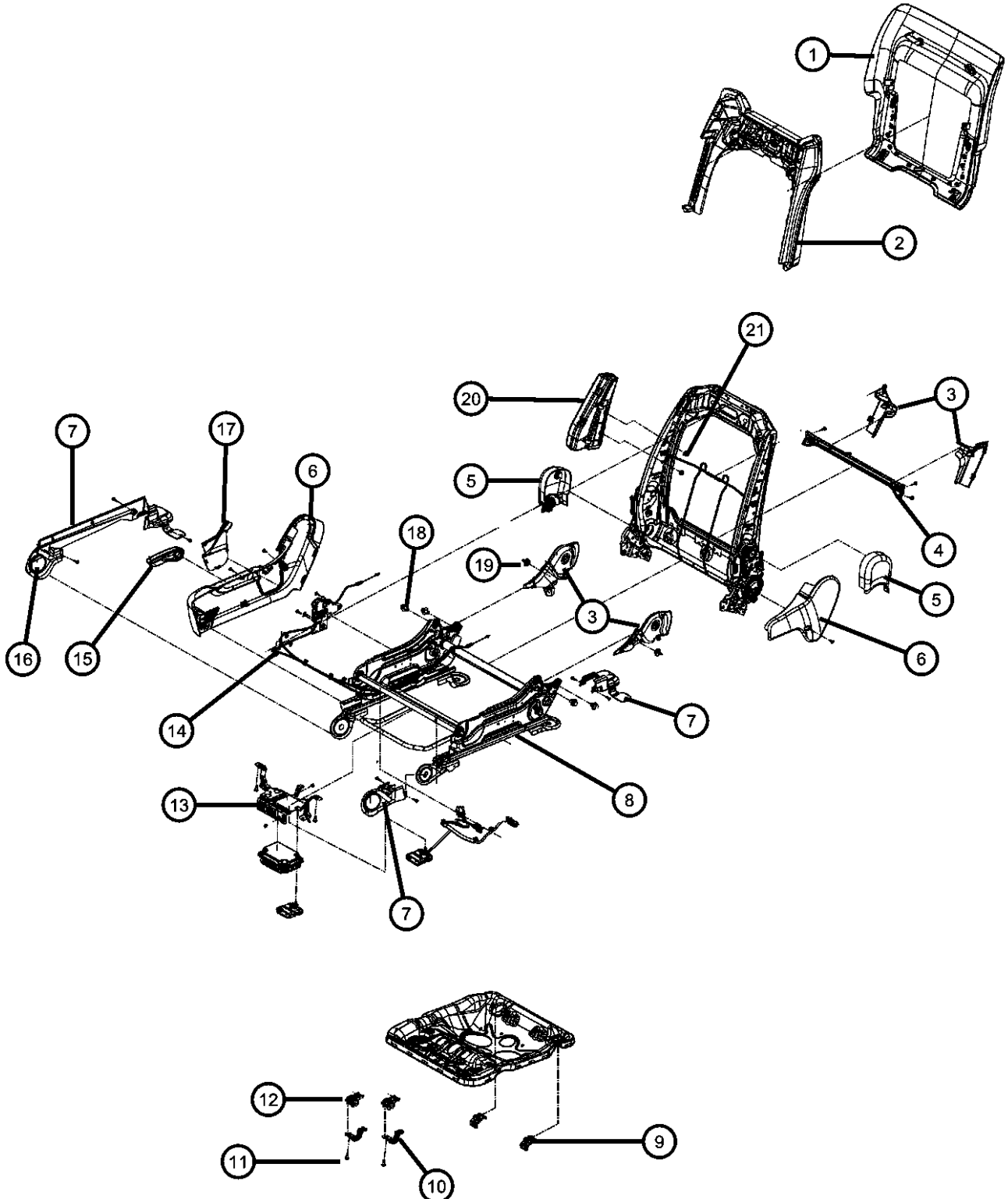
TRANSMISSION
DGQ = 5-Spd Automatic 545RFE
Transmission
DGJ = 5-Speed Auto W5A580
Transmission

AR = use ase required - = Non illustrated part

2011 WK

Adjusters, Recliners and Shields - Passenger Seat - Manual
Figure 50-920

ITEM	PART NUMBER	QTY	LINE	SERIES	BODY	ENGINE	TRANS	TRIM	DESCRIPTION
1	1TM40BD3AA	1	J, T		74			*F7	PANEL, Front Seat Back [D3], [JPR]
		1	J, T		74			*F7	[D3], [JPR], [JKV]
	1TM40DX9AA	1	J, T		74			*F7	[X9], [JPR]
		1	J, T		74			*F7	[X9], [JPR], [JKV]
2	68086184AA	1	J, T		74			*F7	BEZEL, Seat Back [JPR]
		1	J, T		74			*F7	[JPR], [JKV]
3	1TM42BD3AA	1	J, T		74			*F7	COVER, Seat Recliner [D3], [JPR], Right, Front, Inner
	1TM43DX9AA	1	J, T		74			*F7	[X9], [JPR], Left, Front, Inner
		1	J, T		74			*F7	[X9], [JPR], [JKV], Left, Front, Inner
	1TM48BD3AA	1	J, T		74			*F7	[D3], [JPR], Right, Rear, Inner
		1	J, T		74			*F7	[D3], [JPR], [JKV], Right, Rear, Inner
	1TM51BD3AA	1	J, T		74			*F7	[D3], [JPR], Left, Rear, Inner
		1	J, T		74			*F7	[D3], [JPR], [JKV], Right, Front, Inner
	1TM42DX9AA	1	J, T		74			*F7	[X9], [JPR], Right, Front, Inner
		1	J, T		74			*F7	[X9], [JPR], [JKV], Right, Front, Inner
	1TM51DX9AA	1	J, T		74			*F7	[X9], [JPR], Left, Rear, Inner
		1	J, T		74			*F7	[X9], [JPR], [JKV], Left, Rear, Inner
		1	J, T		74			*F7	[D3], [JPR], [JKV], Left, Rear, Inner
	1TM43BD3AA	1	J, T		74			*F7	[D3], [JPR], Left, Front, Inner
		1	J, T		74			*F7	[D3], [JPR], [JKV], Left, Front, Inner
1TM48DX9AA	1	J, T		74			*F7	[X9], [JPR], Right, Rear, Inner	
	1	J, T		74			*F7	[X9], [JPR], [JKV], Right, Rear, Inner	
4	68064591AA	2	J, T		74			*F7	BRACKET, Rear [JPR]
		2	J, T		74			*F7	[JPR], [JKV]
5	1TM47DX9AA	1	J, T		74			*F7	COVER, Seat Recliner, Upper Fold Flat [X9], [JPR], Inboard
		1	J, T		74			*F7	[X9], [JPR], [JKV], Inboard



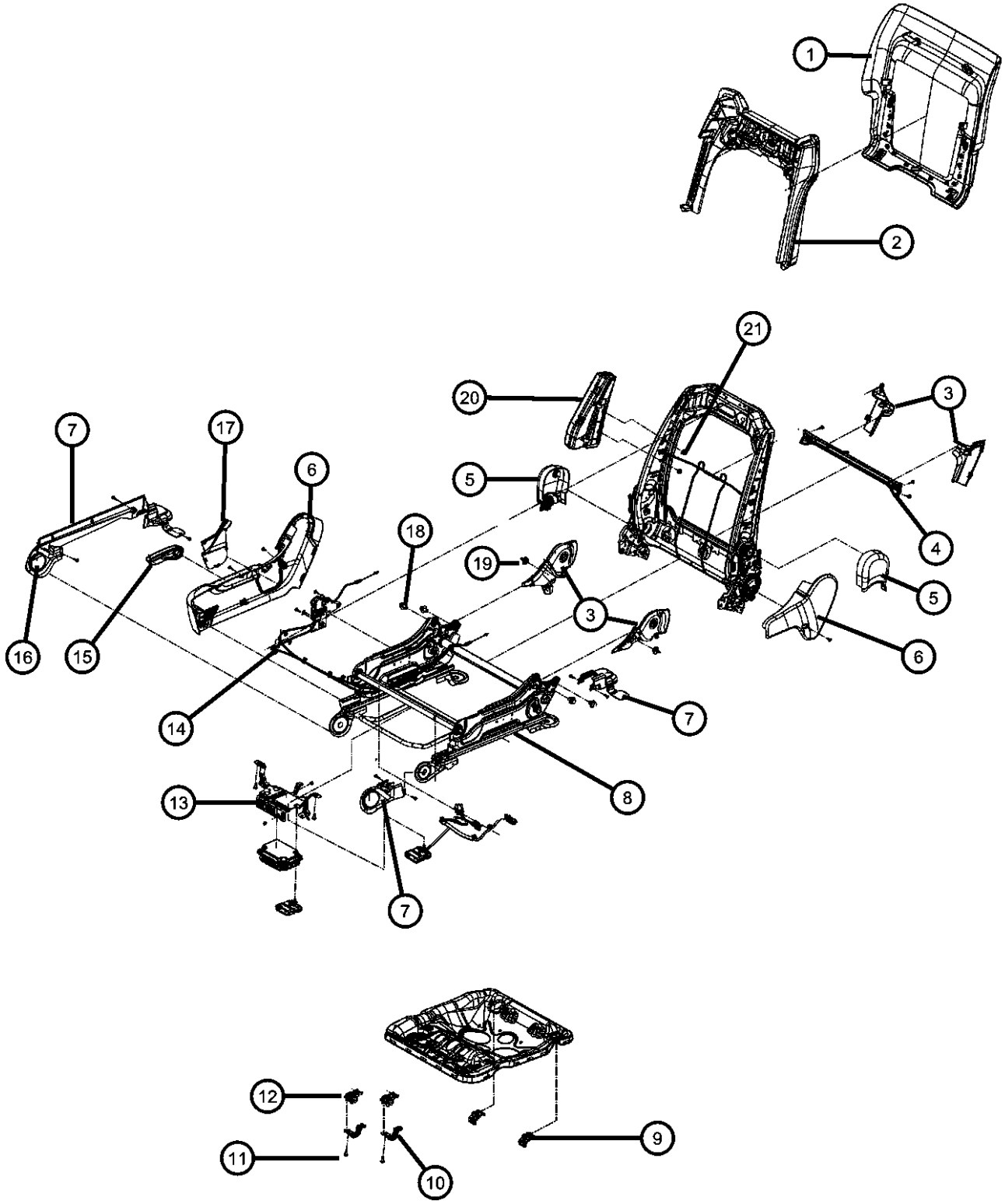
GRAND CHEROKEE (WK)
 SERIES LINE BODY ENGINE TRANSMISSION
 H = HIGHLINE T = JEEP - 2WD 74 = SPORT UTILITY 4-DR ERB = 3.XL Mid V6 Engine DGQ = 5-Spd Automatic 545RFE
 P = PREMIUM J = JEEP - 4WD TYPE #4 EZH = 5.7L V8 HEMI MDS Transmission
 S = SPORT U = JEEP - 4WD (RHD) EXF = 3.0L V6 Turbo Diesel VVT Engine DGJ = 5-Speed Auto W5A580
 Engine Transmission

AR = use ase required - = Non illustrated part

2011 WK

Adjusters, Recliners and Shields - Passenger Seat - Manual
Figure 50-920

ITEM	PART NUMBER	QTY	LINE	SERIES	BODY	ENGINE	TRANS	TRIM	DESCRIPTION
6	1TM41BD3AA	1	J, T		74			*F7	[D3], [JPR], Outboard
		1	J, T		74			*F7	[D3], [JPR], [JKV], Outboard
	1TM41DX9AA	1	J, T		74			*F7	[X9], [JPR], Outboard
		1	J, T		74			*F7	[X9], [JPR], [JKV], Outboard
	1TM47BD3AA	1	J, T		74			*F7	[D3], [JPR], Inboard
		1	J, T		74			*F7	[D3], [JPR], [JKV], Inboard
									SHIELD, Seat Adjuster
	1TM30DX9AA	1	J, T		74			*F7	[X9], [JPR], Outboard
		1	J, T		74			*F7	[X9], [JPR], [JKV], Outboard
	1TM32BD3AA	1	J, T		74			*F7	[D3], [JPR], Inboard
		1	J, T		74			*F7	[D3], [JPR], [JKV], Inboard
	1TM32DX9AA	1	J, T		74			*F7	[X9], [JPR], Inboard
		1	J, T		74			*F7	[X9], [JPR], [JKV], Inboard
7	1TM30BD3AA	1	J, T		74			*F7	[D3], [JPR], Outboard
		1	J, T		74			*F7	[D3], [JPR], [JKV], Outboard
									SHIELD, Seat Adjuster, Riser Cover
	1TM33BD3AA	1	J, T		74			*F7	[D3], [JPR], Front, Inboard
	1TM33DX9AA	1	J, T		74			*F7	[X9], [JPR], [JKV], Front, Inboard
	1TM35DX9AA	1	J, T		74			*F7	[X9], [JPR], Rear, Inboard
		1	J, T		74			*F7	[X9], [JPR], [JKV], Rear, Inboard
		1	J, T		74			*F7	[D3], [JPR], [JKV], Front, Inboard
		1	J, T		74			*F7	[X9], [JPR], Front, Inboard
	1TM35BD3AA	1	J, T		74			*F7	[D3], [JPR], Rear, Inboard
		1	J, T		74			*F7	[D3], [JPR], [JKV], Rear, Inboard
	1TM37DX9AA	1	J, T		74			*F7	[X9], [JPR], Outboard
		1	J, T		74			*F7	[X9], [JPR], [JKV], Outboard
8	1TM37BD3AA	1	J, T		74			*F7	[D3], [JPR], Outboard
		1	J, T		74			*F7	[D3], [JPR], [JKV], Outboard
									ADJUSTER, Seat
	04610306AE	1	J, T		74			*F7	[JPR]
9		1	J, T		74			*F7	[JPR], [JKV]
	04610343AA	4	J, T		74			*F7	SUPPORT, Rear Seat



GRAND CHEROKEE (WK)

SERIES LINE
H = HIGHLINE T = JEEP - 2WD
P = PREMIUM J = JEEP - 4WD
S = SPORT U = JEEP - 4WD (RHD)

BODY
74 = SPORT UTILITY 4-DR
TYPE #4

ENGINE
ERB = 3.XL Mid V6 Engine
EZH = 5.7L V8 HEMI MDS
VVT Engine
EXF = 3.0L V6 Turbo Diesel
Engine

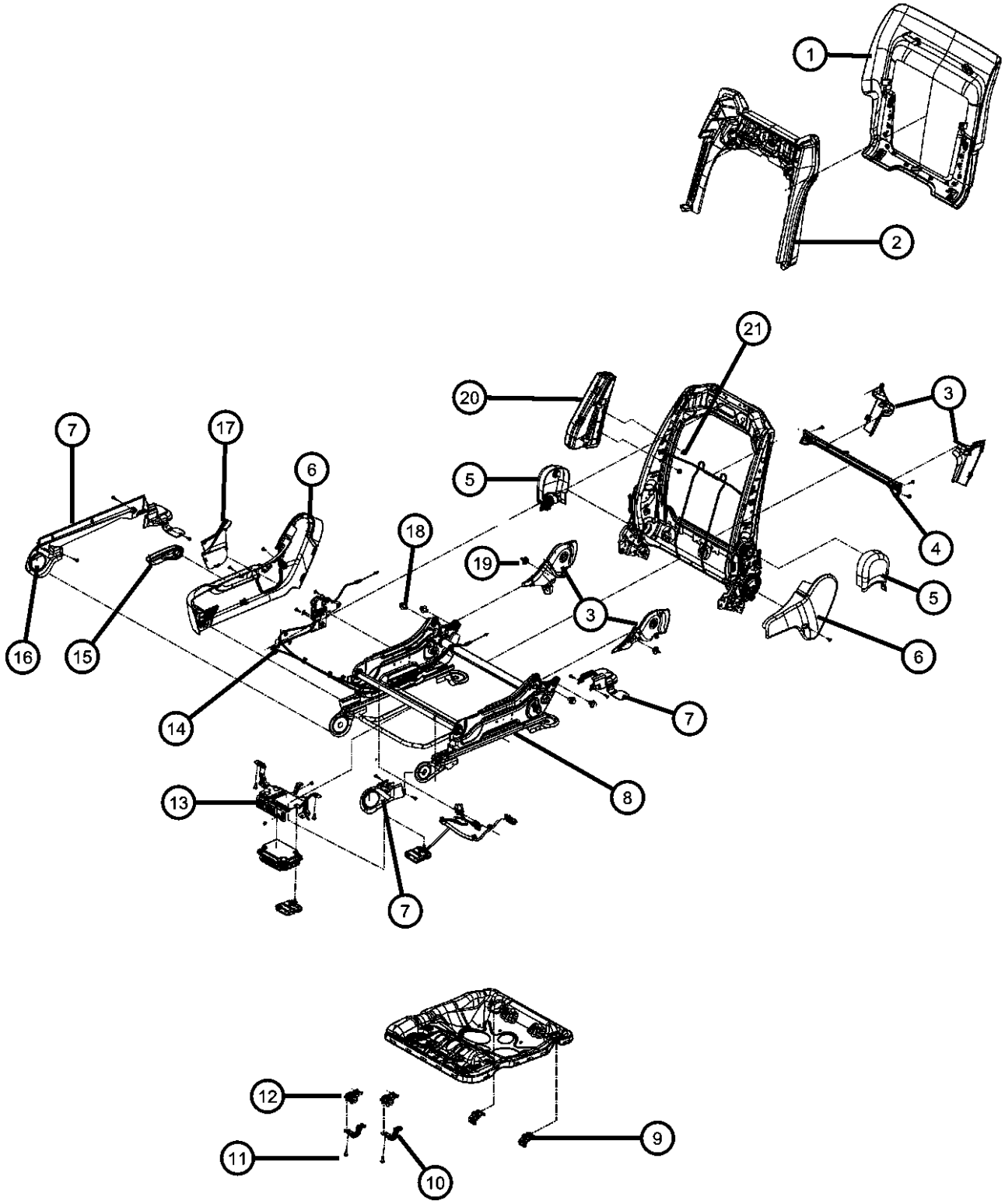
TRANSMISSION
DGQ = 5-Spd Automatic 545RFE
Transmission
DGJ = 5-Speed Auto W5A580
Transmission

AR = use ase required - = Non illustrated part

2011 WK

Adjusters, Recliners and Shields - Passenger Seat - Manual
Figure 50-920

ITEM	PART NUMBER	QTY	LINE	SERIES	BODY	ENGINE	TRANS	TRIM	DESCRIPTION
10		4	J, T		74			*F7	[JPR], [JKV] CLAMP, Front
	04610345AA	4	J, T		74			*F7	[JPR]
11	05010302AA	8	J, T		74			*F7	[JPR], [JKV] BOLT, Hex Head
12		4	J, T		74			*F7	[JPR] BRACKET, Seat, Hinged Spacer
	04610341AA	4	J, T		74			*F7	[JPR], [JKV]
13	68086317AA	1	J, T		74			*F7	BRACKET, Seat, Right Front
14		1	J, T		74			*F7	[JPR] RECLINER, Seat Back
	68086190AA	1	J, T		74			*F7	[JPR], [JKV]
15		1	J, T		74			*F7	[X9], [JPR], [JKV] HANDLE, Recliner
	1TM52DX9AA	1	J, T		74			*F7	[D3], [JPR]
	1TM52BD3AA	1	J, T		74			*F7	[D3], [JPR], [JKV]
16		1	J, T		74			*F7	[X9], [JPR] COVER
	1GR40DX9AB	4	J, T		74			*F7	[X9], [JPR], [JKV]
	1GR40BD3AB	4	J, T		74			*F7	[D3], [JPR], [JKV]
17		4	J, T		74			*F7	[D3], [JPR] COVER, Seat Belt Anchor
	1GR44BD3AD	1	J, T		74			*F7	[D3], [JPR], [JKV]
	1GR44DX9AD	1	J, T		74			*F7	[X9], [JPR], [JKV]
18		8	J, T		74			*F7	[JPR] BOLT
	68030698AA	8	J, T		74			*F7	[JPR], [JKV]
19	68006816AA	2	J, T		74			*F7	CLIP, Trim
20		1	J, T		74			*F7	[JPR] AIR BAG, Seat
	05108022AB	1	J, T		74			*F7	[JPR], [JKV]

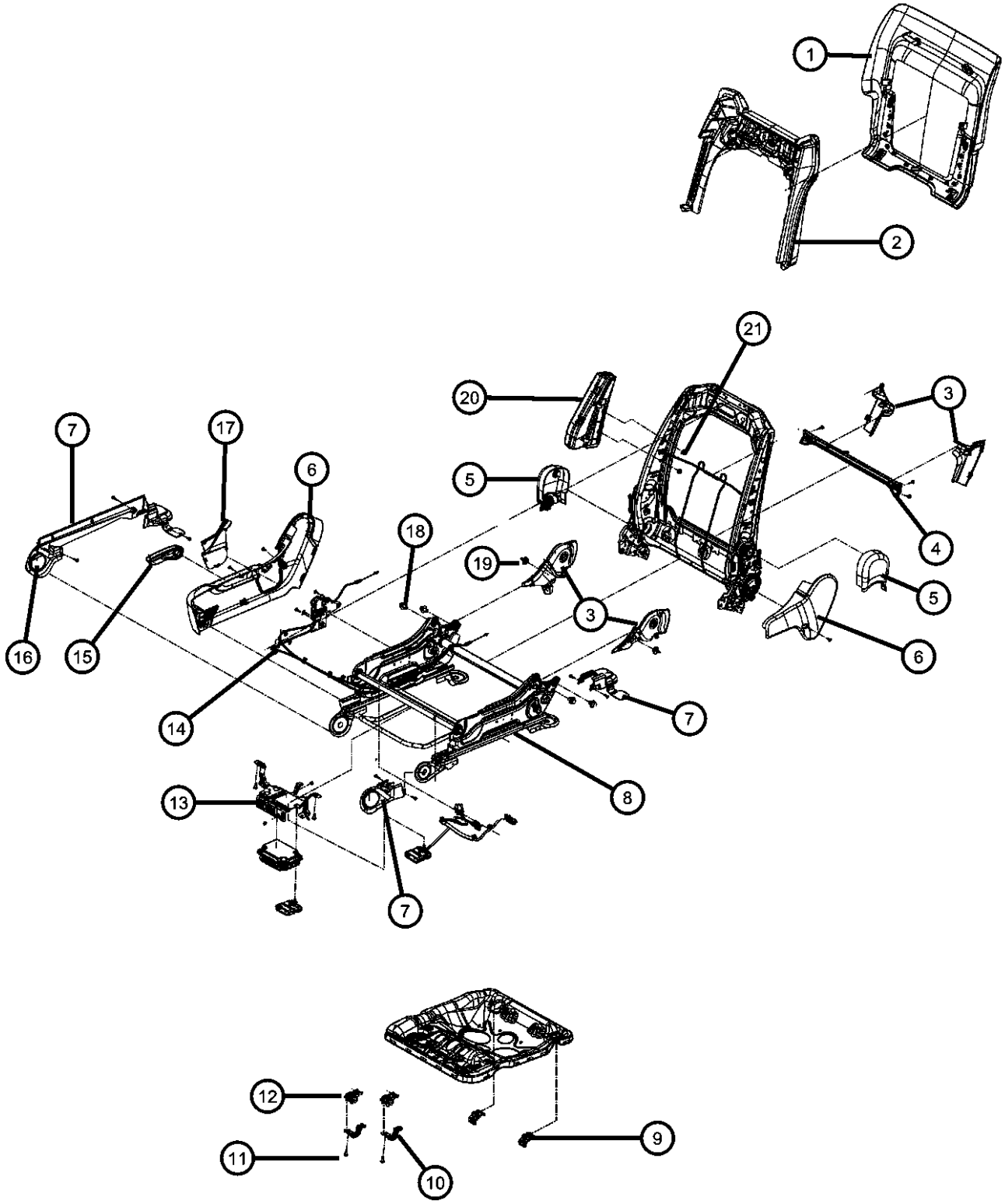


GRAND CHEROKEE (WK)
 SERIES LINE BODY ENGINE TRANSMISSION
 H = HIGHLINE T = JEEP - 2WD 74 = SPORT UTILITY 4-DR ERB = 3.XL Mid V6 Engine DGQ = 5-Spd Automatic 545RFE
 P = PREMIUM J = JEEP - 4WD TYPE #4 EZH = 5.7L V8 HEMI MDS Transmission
 S = SPORT U = JEEP - 4WD (RHD) EXF = 3.0L V6 Turbo Diesel VVT Engine DGJ = 5-Speed Auto W5A580
 Engine Transmission

AR = use ase required - = Non illustrated part

Adjusters, Recliners and Shields - Passenger Seat - Manual
Figure 50-920

ITEM	PART NUMBER	QTY	LINE	SERIES	BODY	ENGINE	TRANS	TRIM	DESCRIPTION
21	68030695AB	4	J, T		74				NUT *F7 [JPR], [JKV]
	68030695AA	4	J, T		74				*F7 [JPR]
-22	68086187AA	2	J, T		74				BRACKET, Seat, Vehicle Connector *F7 [JPR]
		1	J, T		74				*F7 [JPR], [JKV]
-23	06509488AA	8	J, T, U		74				BOLT, Hex Head, Adjuster To Floor



GRAND CHEROKEE (WK)

SERIES LINE
H = HIGHLINE T = JEEP - 2WD
P = PREMIUM J = JEEP - 4WD
S = SPORT U = JEEP - 4WD (RHD)

BODY
74 = SPORT UTILITY 4-DR
TYPE #4

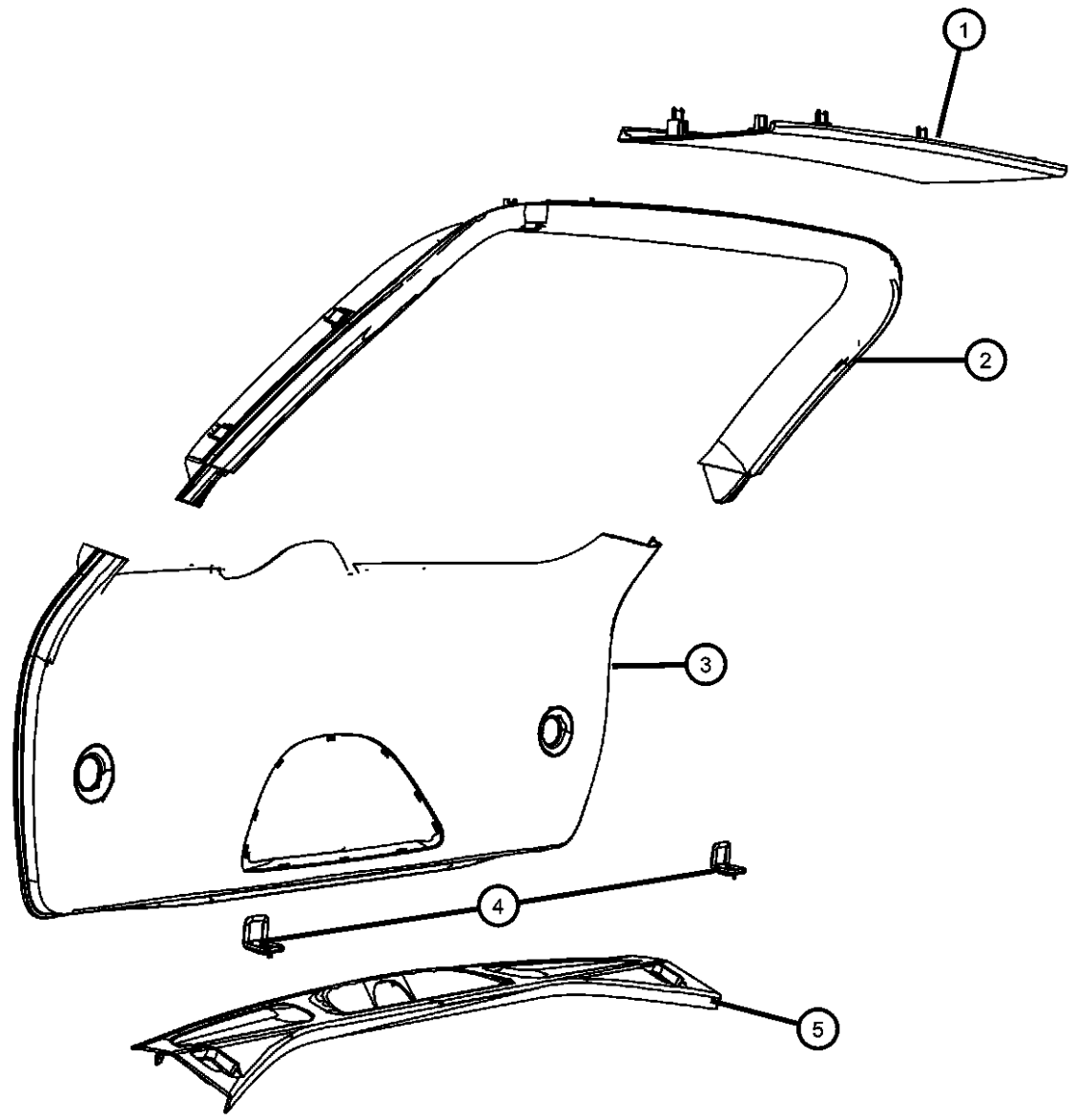
ENGINE
ERB = 3.0L Mid V6 Engine
EZH = 5.7L V8 HEMI MDS
VVT Engine
EXF = 3.0L V6 Turbo Diesel
Engine

TRANSMISSION
DGQ = 5-Spd Automatic 545RFE
Transmission
DGJ = 5-Speed Auto W5A580
Transmission

AR = use ase required - = Non illustrated part

2011 WK

Liftgate Panels & Scuff Plate
Figure 50-1405



ITEM	PART NUMBER	QTY	LINE	SERIES	BODY	ENGINE	TRANS	TRIM	DESCRIPTION
1									MOLDING, Rear Header, Upper
	1GG49HL1AB	1	J, T, U		74			*00	[L9]
		1	J, T, U		74			*00	[XL]
	1GG49DX9AC	1	J, T, U		74			*00	[XT]
	1GG49BD3AC	1	J, T, U		74			*00	[D3]
		1	J, T, U		74			*00	[X9]
2									PANEL, Liftgate Trim Upper
	5KT37HL1AB	1	J, T, U		74			*00	[XL]
	5KT37DX9AB	1	J, T, U		74			*00	[X9]
		1	J, T, U		74			*00	[XT]
		1	J, T, U		74			*00	[L9]
	5KT37BD3AB	1	J, T, U		74			*00	[D3]
3									PANEL, Liftgate Lower
	5KT49DX9AB	1	J, T, U		74			*00	[X9]
	5KT49BD3AB	1	J, T, U		74			*00	[D3]
	5KT49HL1AB	1	J, T, U		74			*00	[XL]
		1	J, T, U		74			*00	[XT]
		1	J, T, U		74			*00	[L9]
4	68085739AA	2	J, T, U	H	74			*00	LOOP, Cargo Tie Down
5									PLATE, Liftgate Scuff
	1NR39DX9AB	1	J, T, U	P, S, X	74			*00	[X9]
		1	J, T, U	P, S, X	74			*00	[XT]
	1GG75BD3AB	1	J, T, U	H	74			*00	[D3]
	1GG75DX9AB	1	J, T, U	H	74			*00	[X9]
	1NR39HL1AB	1	J, T, U	P, S, X	74			*00	[L9]
		1	J, T, U	P, S, X	74			*00	[XL]
-6	68087885AA	4	J, T, U		74			*00	PIN, Retainer, Also Serviced With Item 3, Green
-7	68085677AA	8	J, T, U		74			*00	CLIP, Also Serviced With Item 3, Yellow

GRAND CHEROKEE (WK)

SERIES LINE
H = HIGHLINE T = JEEP - 2WD
P = PREMIUM J = JEEP - 4WD
S = SPORT U = JEEP - 4WD (RHD)

BODY
74 = SPORT UTILITY 4-DR
TYPE #4

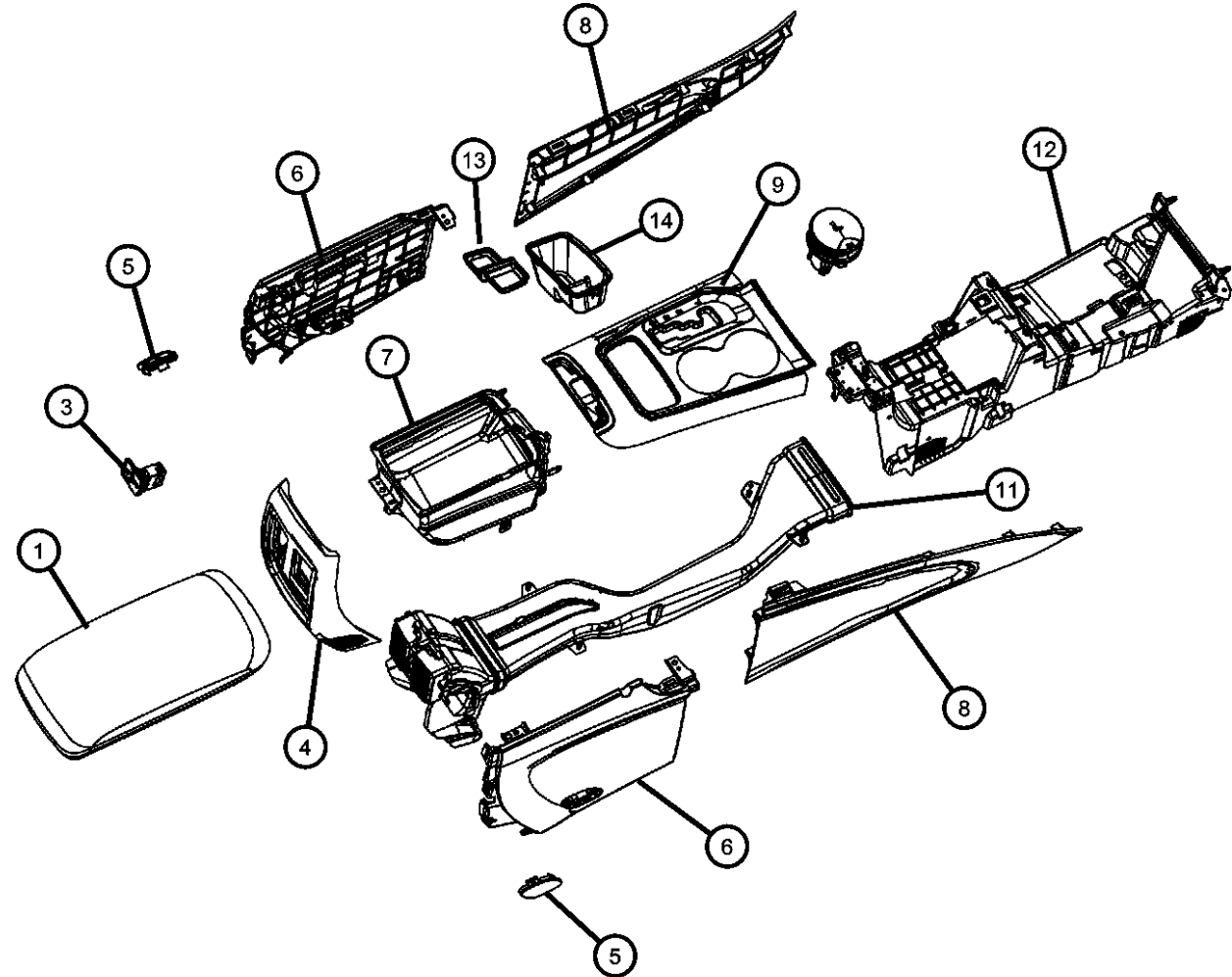
ENGINE
ERB = 3.0L Mid V6 Engine
EZH = 5.7L V8 HEMI MDS
VVT Engine
EXF = 3.0L V6 Turbo Diesel
Engine

TRANSMISSION
DGQ = 5-Spd Automatic 545RFE
Transmission
DGJ = 5-Speed Auto W5A580
Transmission

AR = use ase required - = Non illustrated part

2011 WK

Floor Console Front
Figure 50-1610



ITEM	PART NUMBER	QTY	LINE	SERIES	BODY	ENGINE	TRANS	TRIM	DESCRIPTION
1									ARMREST, Console
	1TL45BD3AA	1	J	H	74			*00	[D3]
		1	T	H	74			*00	[D3]
		1	U	H	74			*00	[D3]
	1TL45DX9AA	1	J	H	74			*00	[X9]
	1TK901D3AA	1	J	H	74			*00	[D3] , With [JKV]
	1TK901X9AA	1	J	H	74			*00	[X9] , With [JKV]
	1TL48HL1AA	1	J	S	74			*00	[L9]
	1TL49DX9AA	1	J	S	74			*00	[X9] , With [RHR]
		1	U	S	74			*00	[X9] , With [XRV]
	1TL48DX9AA	1	T	S	74			*00	[X9]
		1	U	S	74			*00	[X9]
		1	T	S	74			*00	[L9]
		1	U	S	74			*00	[L9]
	1TL48NSRAA	1	T	S	74			*00	[XT]
		1	U	S	74			*00	[XT]
		1	T	P	74			*00	[X9]
		1	U	P	74			*00	[X9]
		1	U	H	74			*00	[X9]
		1	J	S	74			*00	[X9] , With [RER]
		1	J	S	74			*00	[XT] , With [RER]
		1	T	H	74			*00	[X9]
		1	J	P	74			*00	[X9]
	1TL45HL1AA	1	T	P	74			*00	[XL]
		1	U	P	74			*00	[XL]
		1	J	P	74			*00	[XL]
	1TL49HL1AA	1	U	S	74			*00	[L9] , With [XRV]
	1TL49JLTAA	1	J	S	74			*00	[XT] , With [RHR]
		1	U	S	74			*00	[XT] , With [XRV]
-2	68086112AA	1	J	H	74			*00	HINGE
3									POWER OUTLET
	68085972AA	1	J	P	74			*00	
		1	T	P	74			*00	
		1	J	S	74			*00	
		1	T	S	74			*00	

GRAND CHEROKEE (WK)

SERIES LINE
H = HIGHLINE T = JEEP - 2WD
P = PREMIUM J = JEEP - 4WD
S = SPORT U = JEEP - 4WD (RHD)

BODY
74 = SPORT UTILITY 4-DR
TYPE #4

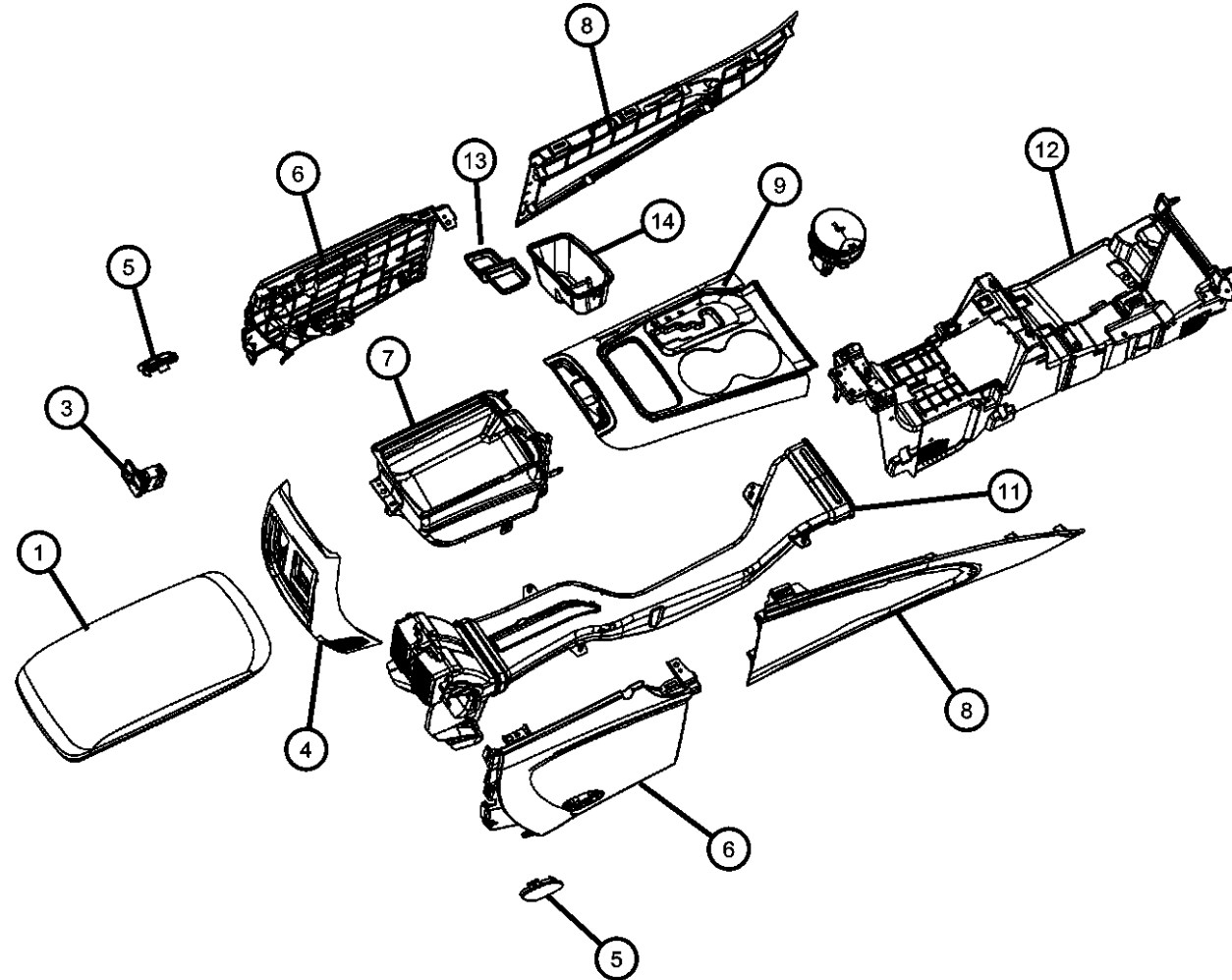
ENGINE
ERB = 3.0L Mid V6 Engine
EZH = 5.7L V8 HEMI MDS
VVT Engine
EXF = 3.0L V6 Turbo Diesel
Engine

TRANSMISSION
DGQ = 5-Spd Automatic 545RFE
Transmission
DGJ = 5-Speed Auto W5A580
Transmission

AR = use ase required - = Non illustrated part

2011 WK

Floor Console Front
Figure 50-1610



ITEM	PART NUMBER	QTY	LINE	SERIES	BODY	ENGINE	TRANS	TRIM	DESCRIPTION
		1	T	H	74			*00	
		1	J	H	74			*00	
4									PANEL, Console
	1TL43HL1AA	1	T	P	74			*00	[XL] , With [JKV] , [XRV]
		1	J	S	74			*00	[L9] , With [JKV] , [XRV]
	1TL44BD3AA	1	U	H	74			*00	[D3]
		1	J	H	74			*00	[D3]
	1TL44DX9AA	1	J	H	74			*00	[X9]
	1TL281D3AA	1	T	H	74			*00	[D3] , With [JKV]
		1	J	H	74			*00	[D3] , With [JKV]
	1TL281X9AA	1	T	H	74			*00	[X9] , With [JKV]
		1	J	H	74			*00	[X9] , With [JKV]
	1TL43DX9AA	1	T	P	74			*00	[X9] , With [JKV] , [XRV]
		1	J	S	74			*00	[X9] , With [JKV] , [XRV]
		1	J	P	74			*00	[X9] , With [JKV] , [XRV]
		1	T	S	74			*00	[X9] , With [JKV] , [XRV]
		1	J	P	74			*00	[XL] , With [JKV] , [XRV]
		1	T	S	74			*00	[L9] , With [JKV] , [XRV]
		1	T	H	74			*00	[X9]
	1TL47HL1AA	1	J	P	74			*00	[XL] , With [JKV]
		1	J	S	74			*00	[L9] , With [JKV]
		1	T	P	74			*00	[XL] , With [JKV]
	1TL51DX9AA	1	U	S	74			*00	[X9]
	1TL51HL1AA	1	U	P	74			*00	[XL]
	1TL53HL1AA	1	U	P	74			*00	[XL] , With [XRV]
		1	U	S	74			*00	[L9] , With [XRV]
		1	T	H	74			*00	[D3]
	1TL47DX9AA	1	T	S	74			*00	[X9] , With [JKV]
		1	J	P	74			*00	[X9] , With [JKV]
		1	J	S	74			*00	[X9] , With [JKV]
		1	T	P	74			*00	[X9] , With [JKV]
		1	T	S	74			*00	[L9] , With [JKV]
		1	U	P	74			*00	[X9]

GRAND CHEROKEE (WK)

SERIES LINE
H = HIGHLINE T = JEEP - 2WD
P = PREMIUM J = JEEP - 4WD
S = SPORT U = JEEP - 4WD (RHD)

BODY
74 = SPORT UTILITY 4-DR
TYPE #4

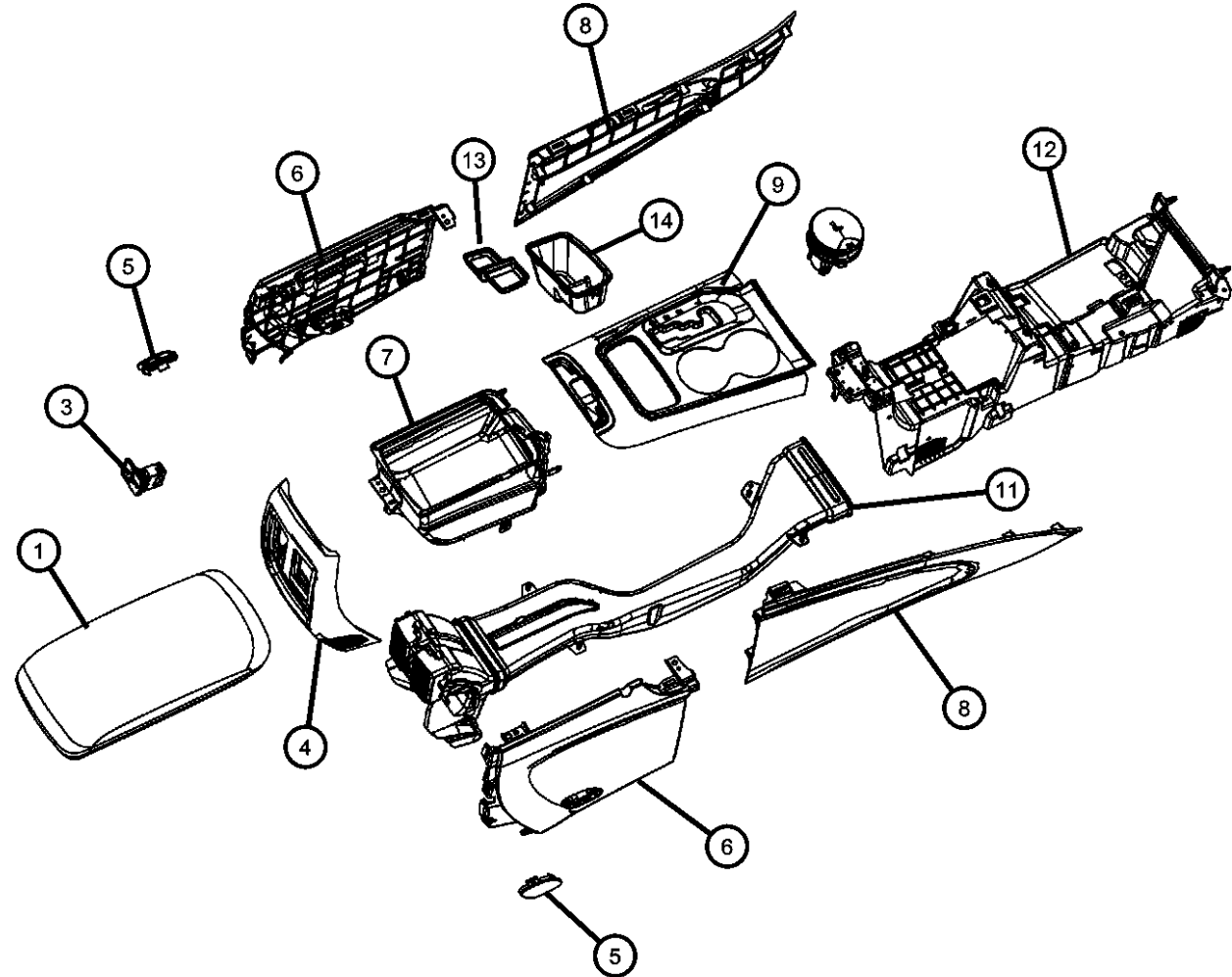
ENGINE
ERB = 3.0L Mid V6 Engine
EZH = 5.7L V8 HEMI MDS
VVT Engine
EXF = 3.0L V6 Turbo Diesel
Engine

TRANSMISSION
DGQ = 5-Spd Automatic 545RFE
Transmission
DGJ = 5-Speed Auto W5A580
Transmission

AR = use ase required - = Non illustrated part

2011 WK

Floor Console Front
Figure 50-1610



ITEM	PART NUMBER	QTY	LINE	SERIES	BODY	ENGINE	TRANS	TRIM	DESCRIPTION
	1TL53DX9AA	1	U	P	74			*00	[X9] , With [XRV]
		1	U	S	74			*00	[X9] , With [XRV]
		1	U	S	74			*00	[L9]
5									PLUG, Cover
	1NU49BD3AA	1	J, T, U		74			*00	[D3], Left
	1NU49DX9AA	1	J, T, U		74			*00	[X9], Left
		1	J, T, U		74			*00	[XT], Left
	1NU49HL1AA	1	J, T, U		74			*00	[L9], Left
	1NU50HL1AA	1	J, T, U		74			*00	[L9], Right
		1	J, T, U		74			*00	[XL], Right
	1NU50DX9AA	1	J, T, U		74			*00	[X9], Right
		1	J, T, U		74			*00	[XT], Right
	1NU49HL1AB	1	J, T, U		74			*00	[XL], Left
	1NU50BD3AA	1	J, T, U		74			*00	[D3], Right
6									PANEL, Console
	1TL27HL1AA	1	U	S	74			*00	[L9], Left
		1	J	S	74			*00	[L9], Left
	1TL27DX9AA	1	J	P	74			*00	[X9], Left
		1	U	P	74			*00	[X9], Left
		1	U	H	74			*00	[X9], Left
		1	T	S	74			*00	[L9], Left
		1	T	S	74			*00	[X9], Left
		1	J	P	74			*00	[XL], Left
		1	U	P	74			*00	[XL], Left
		1	T	P	74			*00	[XL], Left
		1	U	S	74			*00	[X9], Left
	1TL25DX9AA	1	U	H	74			*00	[X9], Right
		1	T	P	74			*00	[X9], Right
		1	U	S	74			*00	[X9], Right
		1	J	S	74			*00	[X9], Right
	1TL25HL1AA	1	T	P	74			*00	[XL], Right
		1	J	S	74			*00	[L9], Right
	1TL27BD3AA	1	T	H	74			*00	[D3], Left
		1	J	H	74			*00	[D3], Left

GRAND CHEROKEE (WK)

SERIES LINE
H = HIGHLINE T = JEEP - 2WD
P = PREMIUM J = JEEP - 4WD
S = SPORT U = JEEP - 4WD (RHD)

BODY
74 = SPORT UTILITY 4-DR
TYPE #4

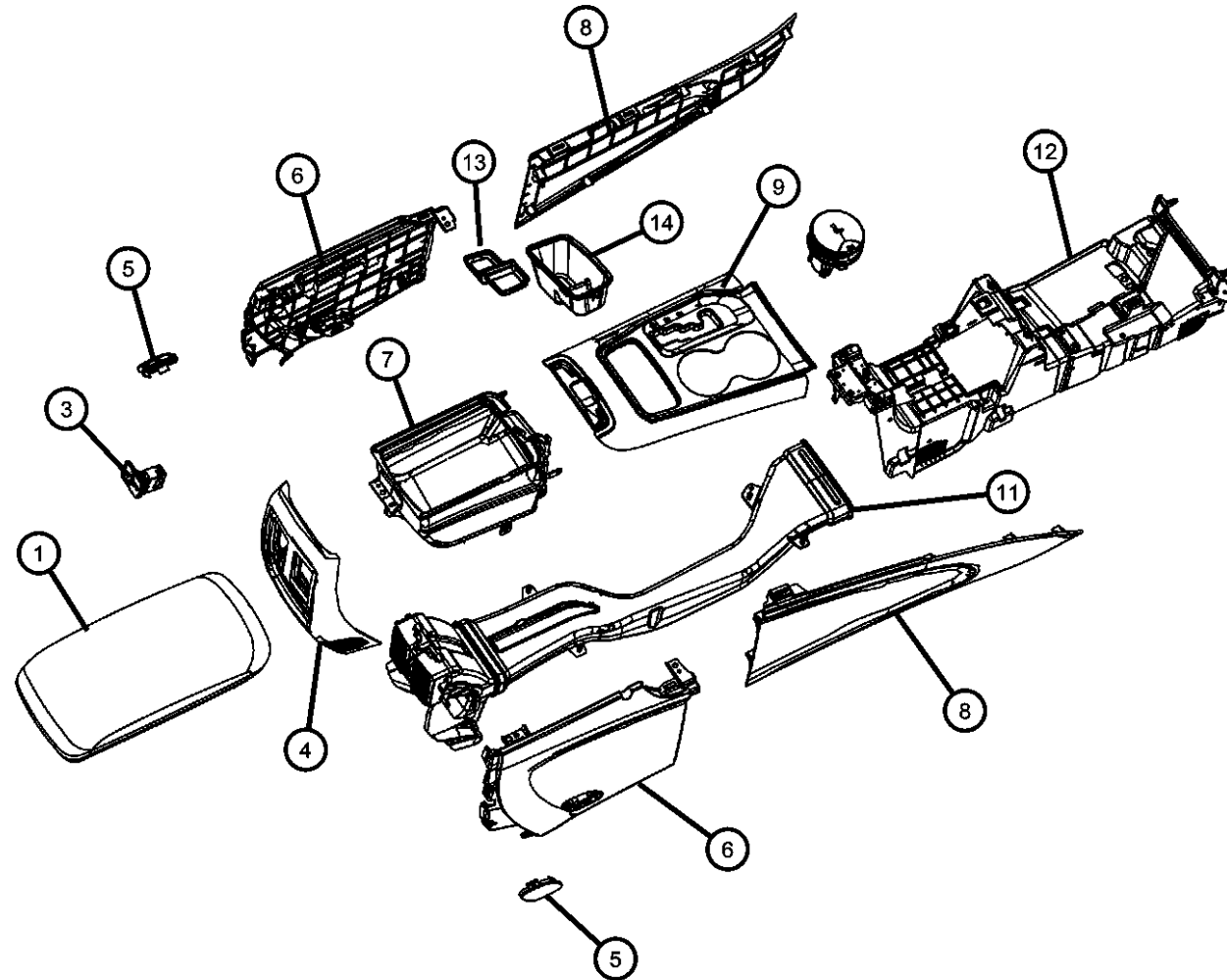
ENGINE
ERB = 3.XL Mid V6 Engine
EZH = 5.7L V8 HEMI MDS
VVT Engine
EXF = 3.0L V6 Turbo Diesel
Engine

TRANSMISSION
DGQ = 5-Spd Automatic 545RFE
Transmission
DGJ = 5-Speed Auto W5A580
Transmission

AR = use ase required - = Non illustrated part

2011 WK

Floor Console Front
Figure 50-1610



ITEM	PART NUMBER	QTY	LINE	SERIES	BODY	ENGINE	TRANS	TRIM	DESCRIPTION
		1	U	S	74			*00	[L9], Right
	1TL25BD3AA	1	U	H	74			*00	[D3], Right
		1	T	H	74			*00	[X9], Right
		1	J	H	74			*00	[X9], Right
		1	T	S	74			*00	[X9], Right
		1	J	P	74			*00	[XL], Right
		1	U	P	74			*00	[XL], Right
		1	T	S	74			*00	[L9], Right
		1	U	H	74			*00	[D3], Left
		1	T	H	74			*00	[X9], Left
		1	J	P	74			*00	[X9], Right
		1	U	P	74			*00	[X9], Right
		1	T	H	74			*00	[D3], Right
		1	J	H	74			*00	[D3], Right
		1	J	S	74			*00	[X9], Left
		1	J	H	74			*00	[X9], Left
		1	T	P	74			*00	[X9], Left
7									BIN, Floor Console
	68085957AA	1	J	H	74			*00	
	68086069AA	1	J	S	74			*00	
		1	T	H	74			*00	
		1	T	P	74			*00	
	68086097AA	1	U	S	74			*00	
		1	U	P	74			*00	
		1	J	P	74			*00	
		1	T	S	74			*00	
		1	U	H	74			*00	
8									PANEL, Floor Console
	1MN49HL1AD	1	U		74			*00	[L9], Right
		1	U		74			*00	[XL], Right
	1MC59BD3AC	1	J, T		74			*00	[D3], Left
	1MC59DX9AC	1	J, T		74			*00	[X9], Left
		1	J, T		74			*00	[XT], Left
	1MC59HL1AC	1	J, T		74			*00	[L9], Left

GRAND CHEROKEE (WK)

SERIES LINE
H = HIGHLINE T = JEEP - 2WD
P = PREMIUM J = JEEP - 4WD
S = SPORT U = JEEP - 4WD (RHD)

BODY
74 = SPORT UTILITY 4-DR
TYPE #4

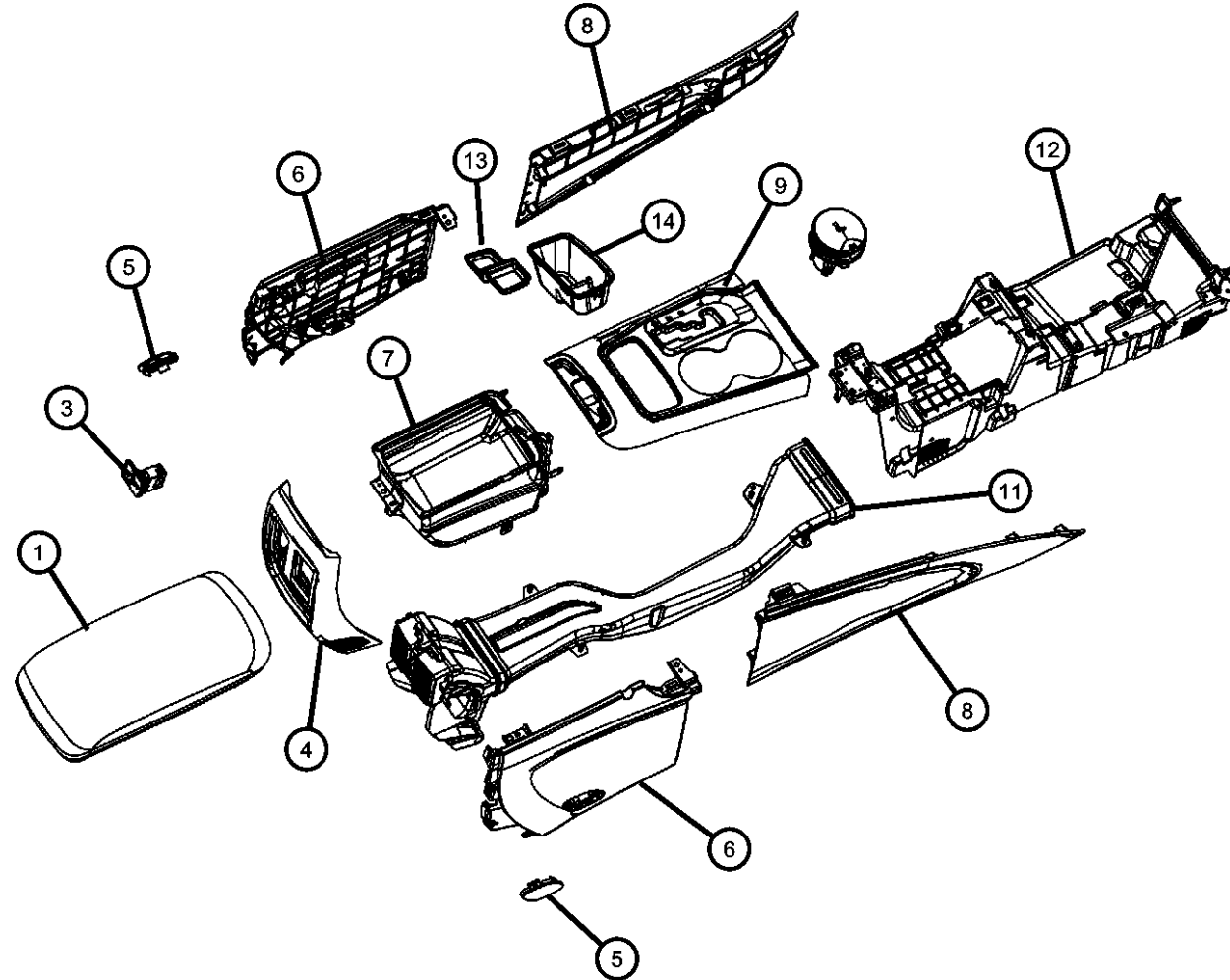
ENGINE
ERB = 3.0L Mid V6 Engine
EZH = 5.7L V8 HEMI MDS
VVT Engine
EXF = 3.0L V6 Turbo Diesel
Engine

TRANSMISSION
DGQ = 5-Spd Automatic 545RFE
Transmission
DGJ = 5-Speed Auto W5A580
Transmission

AR = use ase required - = Non illustrated part

2011 WK

Floor Console Front
Figure 50-1610



ITEM	PART NUMBER	QTY	LINE	SERIES	BODY	ENGINE	TRANS	TRIM	DESCRIPTION
		1	J, T		74			*00	[XL], Left
	1MC63DX9AC	1	J, T		74			*00	[X9], Right
		1	J, T		74			*00	[XT], Right
	1MC63HL1AC	1	J, T		74			*00	[L9], Right
	1MN45BD3AC	1	U		74			*00	[D3], Left
	1MN45DX9AC	1	U		74			*00	[X9], Left
		1	U		74			*00	[XT], Left
	1MN45HL1AC	1	U		74			*00	[L9], Left
		1	U		74			*00	[XL], Left
	1MN49BD3AD	1	U		74			*00	[D3], Right
	1MN49DX9AD	1	U		74			*00	[X9], Right
		1	U		74			*00	[XT], Right
		1	J, T		74			*00	[XL], Right
	1MC63BD3AD	1	J, T		74			*00	[D3], Right
9									BEZEL, Gear Shift Indicator
	1SY441L9AA	1	U		74			*00	[XL]
	1SY441X9AA	1	U		74			*00	[X9]
		1	U		74			*00	[XT]
	1SY571D3AA	1	J, T		74			*00	[D3]
	1SY571L1AA	1	J, T		74			*00	[L9]
		1	J, T		74			*00	[XL]
	1SY571X9AA	1	J, T		74			*00	[X9]
		1	J, T		74			*00	[XT]
	1SY441D3AA	1	U		74			*00	[D3]
		1	U		74			*00	[L9]
-10	68096265AA	1	J, T		74				CUPHOLDER, Console
11									DUCT, Air Outlet, Includes Air Vents
	68085974AA	1	T	H	74			*00	
		1	J	H	74			*00	
		1	T	P	74			*00	
		1	J	S	74			*00	
		1	U	H	74			*00	
		1	U	P	74			*00	

GRAND CHEROKEE (WK)

SERIES LINE
H = HIGHLINE T = JEEP - 2WD
P = PREMIUM J = JEEP - 4WD
S = SPORT U = JEEP - 4WD (RHD)

BODY
74 = SPORT UTILITY 4-DR
TYPE #4

ENGINE
ERB = 3.XL Mid V6 Engine
EZH = 5.7L V8 HEMI MDS
VVT Engine
EXF = 3.0L V6 Turbo Diesel
Engine

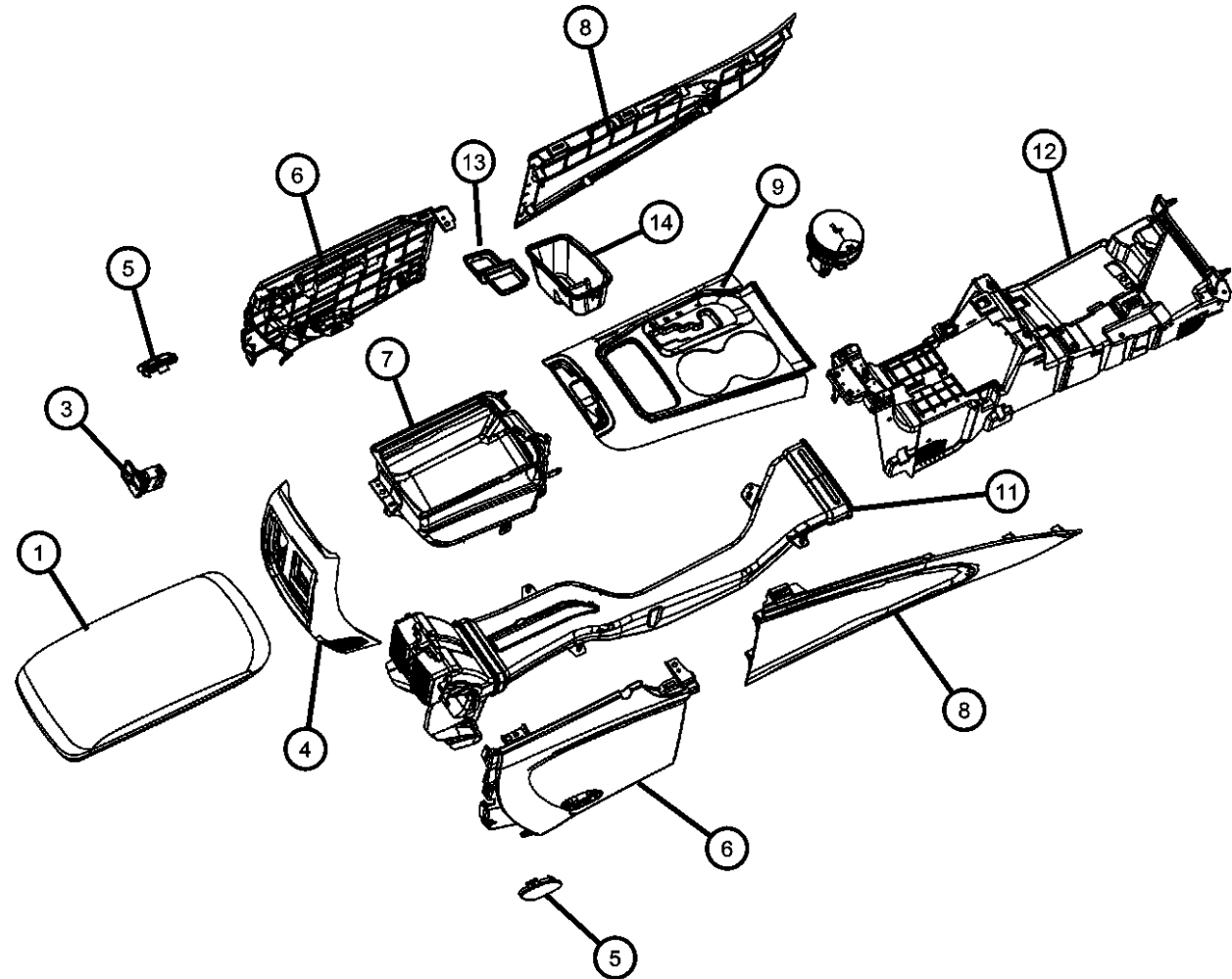
TRANSMISSION
DGQ = 5-Spd Automatic 545RFE
Transmission
DGJ = 5-Speed Auto W5A580
Transmission

AR = use ase required - = Non illustrated part

2011 WK

Floor Console Front
Figure 50-1610

ITEM	PART NUMBER	QTY	LINE	SERIES	BODY	ENGINE	TRANS	TRIM	DESCRIPTION
		1	T	S	74			*O0	
		1	J	P	74			*O0	
		1	U	S	74			*O0	
12									BRACKET, Console
	05108173AA	1	J, T, U		74				Left
	05108174AA	1	J, T, U		74				Right
13									MAT, Storage Tray
	68090826AA	1	T		74				
		1	J		74				
14									BIN, Storage
	05108216AE	1	J, U		74				
		1	T		74				



GRAND CHEROKEE (WK)

SERIES LINE
H = HIGHLINE T = JEEP - 2WD
P = PREMIUM J = JEEP - 4WD
S = SPORT U = JEEP - 4WD (RHD)

BODY
74 = SPORT UTILITY 4-DR
TYPE #4

ENGINE
ERB = 3.0L Mid V6 Engine
EZH = 5.7L V8 HEMI MDS
VVT Engine
EXF = 3.0L V6 Turbo Diesel
Engine

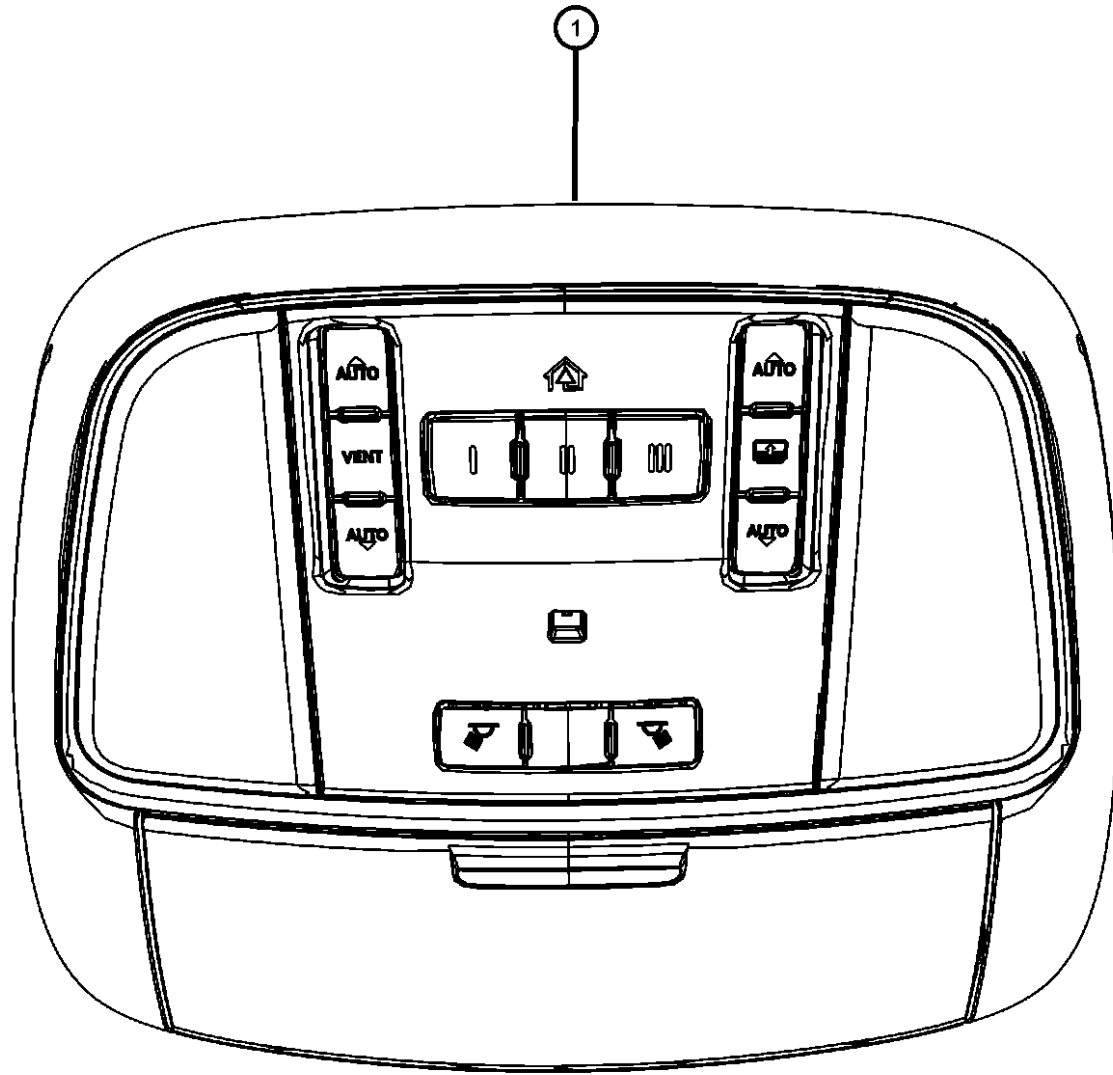
TRANSMISSION
DGQ = 5-Spd Automatic 545RFE
Transmission
DGJ = 5-Speed Auto W5A580
Transmission

AR = use ase required - = Non illustrated part

2011 WK

Overhead Consoles
Figure 50-1620

ITEM	PART NUMBER	QTY	LINE	SERIES	BODY	ENGINE	TRANS	TRIM	DESCRIPTION
1									CONSOLE, Overhead
	1RD401DAAA	1	J, T, U	P, S	74			*00	[X9] , With [GWJ] , [JRC]
		1	J, T, U	P, S	74			*00	[XT] , With [GWJ] , [JRC]
	1RD401L1AA	1	J, T, U	P, S	74			*00	[L9] , With [GWJ] , [JRC]
		1	J, T, U	P, S	74			*00	[XL] , With [GWJ] , [JRC]
	1RD411DAAA	1	J, T, U	H, P	74			*00	[D3] , With [GWA] , [LSC]
		1	J, T, U	H, P	74			*00	[X9] , With [GWA] , [LSC]
	1RD481DAAA	1	J, T, U	H, P	74			*00	[D3]
		1	J, T, U	H, P	74			*00	[X9]
	1RD481L1AA	1	J, T, U	H, P	74			*00	[XL]
	1RD421L1AA	1	J, T, U	H, P	74			*00	[XL] , With [GWA]
	1RD431DAAA	1	J, T, U	P, S	74			*00	[X9] , With [GWA] , Mexico
		1	J, T, U	P, S	74			*00	[XT] , With [GWA] , Mexico
	1RD441DAAA	1	J, T, U	H, P	74			*00	[X9] , With [GWJ] , [LSC]
	1RD441L1AA	1	J, T, U	H, P	74			*00	[XL] , With [GWJ] , [LSC]
	1RD451DAAA	1	J, T, U	P, S	74			*00	[X9] , With [GWA] , [JRC]
		1	J, T, U	P, S	74			*00	[XT] , With [GWA] , [JRC]
	1RD451L1AA	1	J, T, U	P, S	74			*00	[L9] , With [GWA] , [JRC]
		1	J, T, U	P, S	74			*00	[XL] , With [GWA] , [JRC]
	1RD461DAAA	1	J, T, U	H, P	74			*00	[D3] , With [GWJ]
		1	J, T, U	H, P	74			*00	[X9] , With [GWJ]
	1RD461L1AA	1	J, T, U	H, P	74			*00	[XL] , With [GWJ]
	1RD491DAAA	1	J, T, U	P, S	74			*00	[XT] , With [GWJ] , Export
	1RD491L1AA	1	J, T, U	P, S	74			*00	[XL] , With [GWJ] , Export
	1RD501DAAB	1	J, T, U		74			*00	[D3] , With [LBR] , [JRC] , [LSC]
		1	J, T, U	P, S	74			*00	[L9] , With [GWJ] , Export
		1	J, T, U	P, S	74			*00	[X9] , With [GWJ] , Export
		1	J, T, U		74			*00	[X9] , With [LBR] , [JRC] , [LSC]
		1	J, T, U		74			*00	[XT] , With [LBR] , [JRC] , [LSC]
	1RD501L1AB	1	J, T, U		74			*00	[L9] , With [LBR] , [JRC] , [LSC]
		1	J, T, U		74			*00	[XL] , With [LBR] , [JRC] , [LSC]
	1RD511DAAA	1	J, T, U	H, P	74			*00	[D3] , With [XGD]
		1	J, T, U	H, P	74			*00	[X9] , With [XGD]
	1RD511L1AA	1	J, T, U	P, H	74			*00	[XL] , With [XGD]
	1RD521DAAA	1	J, T, U	H, P	74			*00	[D3] , Export



GRAND CHEROKEE (WK)

SERIES LINE
H = HIGHLINE T = JEEP - 2WD
P = PREMIUM J = JEEP - 4WD
S = SPORT U = JEEP - 4WD (RHD)

BODY
74 = SPORT UTILITY 4-DR
TYPE #4

ENGINE
ERB = 3.XL Mid V6 Engine
EZH = 5.7L V8 HEMI MDS
VVT Engine
EXF = 3.0L V6 Turbo Diesel
Engine

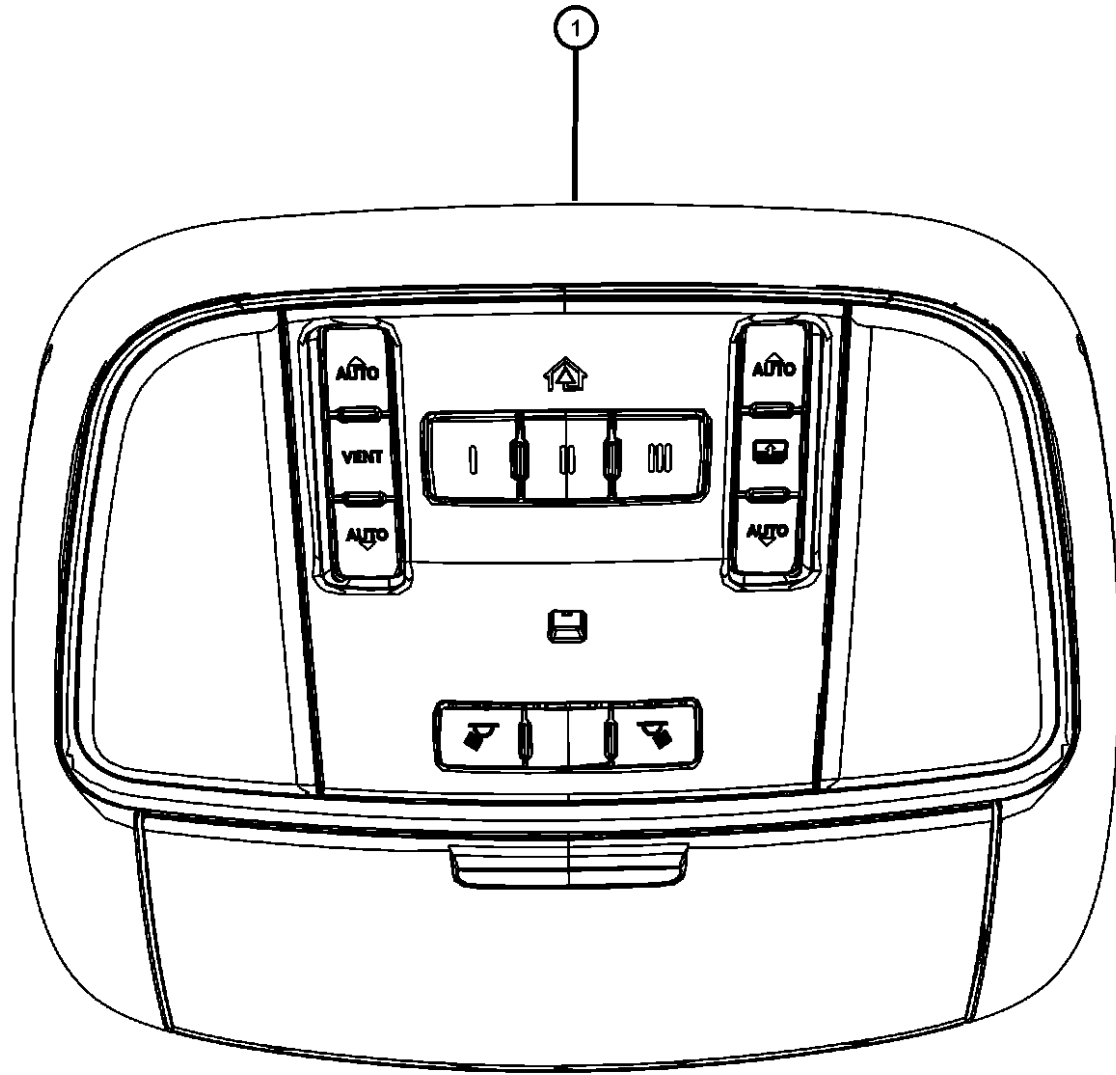
TRANSMISSION
DGQ = 5-Spd Automatic 545RFE
Transmission
DGJ = 5-Speed Auto W5A580
Transmission

AR = use ase required - = Non illustrated part

2011 WK

Overhead Consoles
Figure 50-1620

ITEM	PART NUMBER	QTY	LINE	SERIES	BODY	ENGINE	TRANS	TRIM	DESCRIPTION
		1	J, T, U	H, P	74			*O0	[X9] , Export
	1RD521L1AA	1	J, T, U	H, P	74			*O0	[XL] , Export
	1RD531DAAA	1	J, T, U		74			*O0	[D3] , With [GWJ] , [XGD]
		1	J, T, U		74			*O0	[X9] , With [GWJ] , [XGD]
	1RD531L1AA	1	J, T, U		74			*O0	[L9] , With [GWJ] , [XGD]
	1RD541DAAA	1	J, T, U	P, S	74			*O0	[XT] , With [GWA]
	1RD541L1AA	1	J, T, U	P, S	74			*O0	[L9] , With [GWA]
		1	J, T, U	P, S	74			*O0	[XL] , With [GWA]
	1RD551DAAB	1	J, T, U		74			*O0	[D3] , With [LBR] , [JRC]
		1	J, T, U		74			*O0	[X9] , With [LBR] , [JRC]
		1	J, T, U		74			*O0	[XT] , With [LBR] , [JRC]
	1RD551L1AB	1	J, T, U		74			*O0	[L9] , With [LBR] , [JRC]
		1	J, T, U		74			*O0	[XL] , With [LBR] , [JRC]
	1RD561DAAA	1	J, T, U	P, S	74			*O0	[X9] , With [GWJ] , [JRC] , [XGD]
		1	J, T, U	P, S	74			*O0	[XT] , With [GWJ] , [JRC] , [XGD]
	1RD561L1AA	1	J, T, U	P, S	74			*O0	[L9] , With [GWJ] , [JRC] , [XGD]
	1RD571L1AA	1	J, T, U	P, S	74			*O0	[XL] , With [GWA] , Export
	1RD421DAAA	1	J, T, U	H, P	74			*O0	[D3] , With [GWA]
		1	J, T, U	H, P	74			*O0	[X9] , With [GWA]
	1RD431L1AA	1	J, T, U	P, S	74			*O0	[XL] , With [GWA] , Mexico
		1	J, T, U	H, P	74			*O0	[D3] , With [GWJ] , [LSC]
		1	J, T, U		74			*O0	[XL] , With [GWJ] , [XGD]
		1	J, T, U	P, S	74			*O0	[X9] , With [GWA]
	1RD571DAAA	1	J, T, U	P, S	74			*O0	[XT] , With [GWA] , Export
		1	J, T, U	P, S	74			*O0	[L9] , With [GWA] , Export
	1RD561L1AB	1	J, T, U	P, S	74			*O0	[XL] , With [GWJ] , [JRC] , [XGD]
		1	J, T, U	P, S	74			*O0	[X9] , With [GWA] , Export
-2	68078113AB	1	J, T, U		74				RETAINER, Overhead Console
-3	05108106AA	2	J, T, U		74				CLIP, Z-Axis
-4									PLATE, Retaining
	68078294AA	1	J, T, U		74				Right
	68078295AA	1	J, T, U		74				Left



GRAND CHEROKEE (WK)

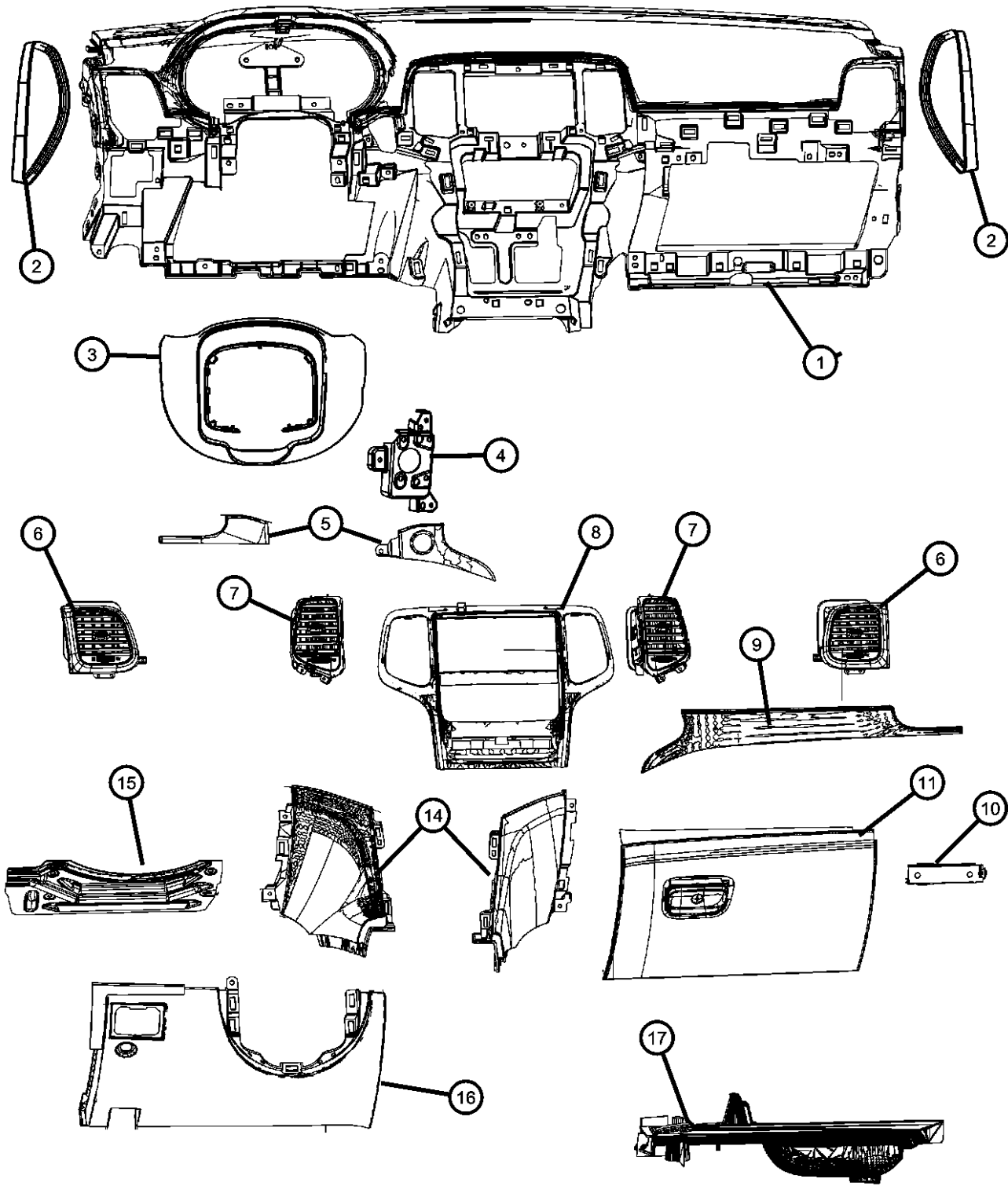
SERIES LINE
H = HIGHLINE T = JEEP - 2WD
P = PREMIUM J = JEEP - 4WD
S = SPORT U = JEEP - 4WD (RHD)

BODY
74 = SPORT UTILITY 4-DR
TYPE #4

ENGINE
ERB = 3.XL Mid V6 Engine
EZH = 5.7L V8 HEMI MDS
VVT Engine
EXF = 3.0L V6 Turbo Diesel
Engine

TRANSMISSION
DGQ = 5-Spd Automatic 545RFE
Transmission
DGJ = 5-Speed Auto W5A580
Transmission

**Instrument Panel
Figure 50-1715**



ITEM	PART NUMBER	QTY	LINE	SERIES	BODY	ENGINE	TRANS	TRIM	DESCRIPTION
1									INSTRUMENT PANEL, Base Panel
	1TP08DX9AA	1	U	P	74			*00	[X9]
		1	U	H	74			*00	[X9]
	1TP08HL1AA	1	U	P	74			*00	[XL]
	1TP25DX9AA	1	U	S	74			*00	[X9]
		1	U	S	74			*00	[XT]
	1TP25HL1AA	1	U	S	74			*00	[L9]
	1TN88BD3AA	1	J, T	H	74			*00	[D3]
		1	J, T	H	74			*00	[D3], Export
	1TN88DX9AA	1	J, T	P	74			*00	[X9]
		1	J, T	P	74			*00	[XL]
		1	J, T	H	74			*00	[X9]
		1	J, T	H	74			*00	[X9], Export
	1TP03DX9AA	1	J, T	S	74			*00	[XT]
		1	J, T	S	74			*00	[X9], Export
		1	J, T	S	74			*00	[XT], Export
		1	J, T	P	74			*00	[X9], Export
		1	J, T	S	74			*00	[X9]
	1TP03HL1AA	1	J, T	S	74			*00	[L9]
		1	J, T	S	74			*00	[L9], Export
	1TP08BD3AA	1	U	H	74			*00	[D3]
2									COVER, Instrument Panel
	1GG64HL1AD	1	J, T, U		74			*00	[L9], Right
	1TP09BD3AA	1	U	H	74			*00	[D3], Left
	1TP09DX9AA	1	U	H	74			*00	[X9], Left
		1	J, T, U		74			*00	[XL], Right
	1GG64DX9AD	1	J, T, U		74			*00	[X9], Right
		1	J, T, U		74			*00	[XT], Right
	1TP10BD3AA	1	U	H	74			*00	[D3], Right
	1TP10DX9AA	1	U	P	74			*00	[X9], Right
	1TP09HL1AA	1	U	P	74			*00	[XL], Left
	1TP10HL1AA	1	U	P	74			*00	[XL], Right
	1GF63DX9AD	1	J, T, U		74			*00	[XT], Left
	1GF63HL1AD	1	J, T, U		74			*00	[XL], Left
		1	J, T, U		74			*00	[L9], Left

GRAND CHEROKEE (WK)

SERIES LINE
H = HIGHLINE T = JEEP - 2WD
P = PREMIUM J = JEEP - 4WD
S = SPORT U = JEEP - 4WD (RHD)

BODY
74 = SPORT UTILITY 4-DR
TYPE #4

ENGINE
ERB = 3.0L V6 Engine
EZH = 5.7L V8 HEMI MDS
VVT Engine
EXF = 3.0L V6 Turbo Diesel
Engine

TRANSMISSION
DGQ = 5-Spd Automatic 545RFE
Transmission
DGJ = 5-Speed Auto W5A580
Transmission

AR = use ase required - = Non illustrated part

2011 WK

**Instrument Panel
Figure 50-1715**

ITEM	PART NUMBER	QTY	LINE	SERIES	BODY	ENGINE	TRANS	TRIM	DESCRIPTION
3	1GF63BD3AD	1	J, T, U		74			*O0	[D3], Left
		1	J, T, U		74			*O0	[X9], Left
	1GG64BD3AD	1	J, T, U		74			*O0	[D3], Right
									GAP HIDER, Steering Column Shroud
	1TN97BD3AA	1	J, T	H	74			*O0	[D3], Export
	1TN97DX9AA	1	J, T	H	74			*O0	[X9]
		1	J, T	H	74			*O0	[D3]
		1	J, T	P	74			*O0	[X9]
		1	J, T	H	74			*O0	[X9], Export
		1	J, T	S	74			*O0	[X9]
		1	J, T	S	74			*O0	[XT]
		1	J, T	S	74			*O0	[X9], Export
		1	J, T	S	74			*O0	[XT], Export
		1	J, T	P	74			*O0	[X9], Export
	1TN97HL1AA	1	J, T	P	74			*O0	[XL], Export
		1	J, T	S	74			*O0	[L9], Export
		1	J, T	S	74			*O0	[L9]
	1	J, T	P	74			*O0	[XL]	
4	1TP18DX9AA	1	U	P	74			*O0	[X9]
		1	U	H	74			*O0	[X9]
	1TP181D3AA	1	U	H	74			*O0	[D3]
	1TP18HL1AA	1	U	P	74			*O0	[XL]
									BRACKET, Instrument Panel, WINFOB
	68086468AA	1	J, T	H	74			*O0	Export
		1	J, T	P	74			*O0	Export
		1	J, T	S	74			*O0	Export
		1	J, T	P	74			*O0	
		1	J, T	H	74			*O0	
5	1TN90AAAA	1	J, T	H	74			*O0	[D3], Right
		1	J, T	H	74			*O0	[D3], Export, Right
		1	J, T	H	74			*O0	[X9], Right

GRAND CHEROKEE (WK)

SERIES LINE
H = HIGHLINE T = JEEP - 2WD
P = PREMIUM J = JEEP - 4WD
S = SPORT U = JEEP - 4WD (RHD)

BODY
74 = SPORT UTILITY 4-DR
TYPE #4

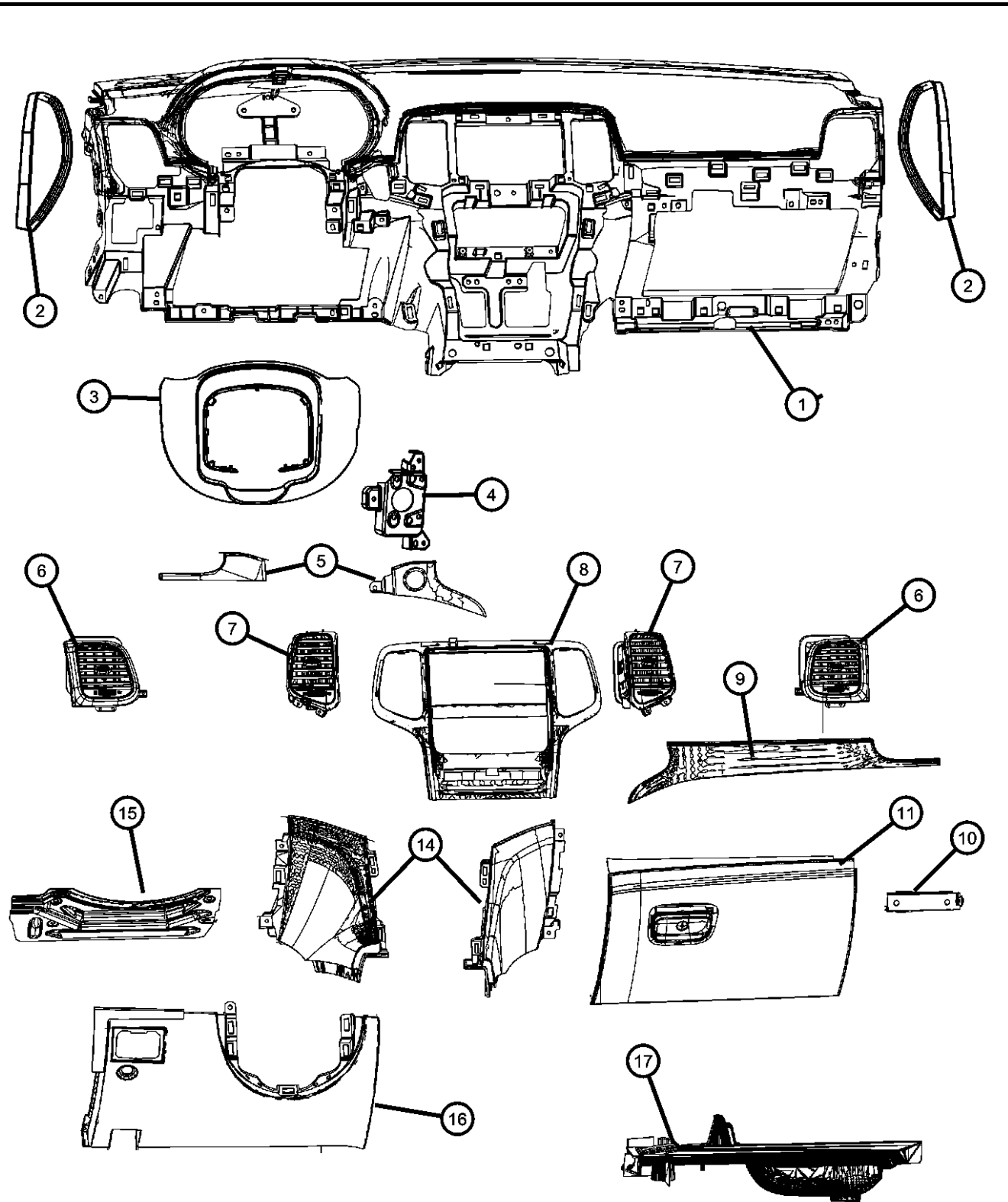
ENGINE
ERB = 3.XL Mid V6 Engine
EZH = 5.7L V8 HEMI MDS
VVT Engine
EXF = 3.0L V6 Turbo Diesel
Engine

TRANSMISSION
DGQ = 5-Spd Automatic 545RFE
Transmission
DGJ = 5-Speed Auto W5A580
Transmission

AR = use ase required - = Non illustrated part

2011 WK

Instrument Panel
Figure 50-1715

ITEM	PART NUMBER	QTY	LINE	SERIES	BODY	ENGINE	TRANS	TRIM	DESCRIPTION
									
	1TP01AAAAA	1	J, T	H	74			*00	[X9] , Export, Right
		1	J, T	H	74			*00	[D3], Left
		1	J, T	H	74			*00	[X9], Left
		1	J, T	H	74			*00	[D3] , Export, Left
6		1	J, T	H	74			*00	[X9] , Export, Left
	1TN89DX9AA	1	J, T	H	74			*00	OUTLET, Air Conditioning & Heater
		1	J, T	H	74			*00	[D3], Left
		1	J, T	S	74			*00	[X9], Left
		1	J, T	S	74			*00	[L9], Left
		1	J, T	S	74			*00	[X9], Left
		1	J, T	S	74			*00	[XT], Left
		1	U	P	74			*00	[X9], Left
		1	U	P	74			*00	[XL], Left
		1	J, T	P	74			*00	[X9], Left
		1	J, T	P	74			*00	[XL], Left
		1	U	H	74			*00	[D3], Left
		1	U	H	74			*00	[X9], Left
		1	J, T	H	74			*00	[D3] , Export, Left
		1	J, T	H	74			*00	[X9] , Export, Left
		1	J, T	P	74			*00	[X9] , Export, Left
		1	J, T	P	74			*00	[XL] , Export, Left
		1	J, T	S	74			*00	[L9] , Export, Left
		1	J, T	S	74			*00	[X9] , Export, Left
		1	J, T	S	74			*00	[XT] , Export, Left
	1TN92DX9AA	1	J, T	S	74			*00	[X9], Right
		1	J, T	S	74			*00	[XT], Right
		1	U	P	74			*00	[X9], Right
		1	U	P	74			*00	[XL], Right
		1	J, T	P	74			*00	[X9], Right
		1	J, T	P	74			*00	[XL], Right
		1	U	H	74			*00	[D3], Right
		1	U	H	74			*00	[X9], Right
		1	J, T	H	74			*00	[D3] , Export, Right
		1	J, T	H	74			*00	[X9] , Export, Right

GRAND CHEROKEE (WK)

SERIES LINE
H = HIGHLINE T = JEEP - 2WD
P = PREMIUM J = JEEP - 4WD
S = SPORT U = JEEP - 4WD (RHD)

BODY
74 = SPORT UTILITY 4-DR
TYPE #4

ENGINE
ERB = 3.0L V6 Engine
EZH = 5.7L V8 HEMI MDS
VVT Engine
EXF = 3.0L V6 Turbo Diesel
Engine

TRANSMISSION
DGQ = 5-Spd Automatic 545RFE
Transmission
DGJ = 5-Speed Auto W5A580
Transmission

AR = use ase required - = Non illustrated part

2011 WK

Instrument Panel
Figure 50-1715

ITEM	PART NUMBER	QTY	LINE	SERIES	BODY	ENGINE	TRANS	TRIM	DESCRIPTION
		1	J, T	P	74			*00	[X9] , Export, Right
		1	J, T	P	74			*00	[XL] , Export, Right
		1	J, T	S	74			*00	[L9] , Export, Right
		1	J, T	S	74			*00	[X9] , Export, Right
		1	J, T	S	74			*00	[XT] , Export, Right
		1	J, T	H	74			*00	[D3], Right
		1	J, T	H	74			*00	[X9], Right
		1	J, T	S	74			*00	[L9], Right
7									OUTLET, Center
	1TP00DX9AA	1	J, T	S	74			*00	[L9] , Export, Right
		1	J, T	S	74			*00	[X9] , Export, Right
		1	J, T	S	74			*00	[XT] , Export, Right
	1TN99DX9AA	1	J, T	S	74			*00	[X9], Left
		1	J, T	S	74			*00	[XT], Left
		1	U	P	74			*00	[X9], Left
		1	U	P	74			*00	[XL], Left
		1	J, T	P	74			*00	[X9], Left
		1	U	H	74			*00	[D3], Left
		1	J, T	P	74			*00	[XL], Left
		1	U	H	74			*00	[X9], Left
		1	J, T	H	74			*00	[D3] , Export, Left
		1	J, T	H	74			*00	[X9] , Export, Left
		1	J, T	P	74			*00	[X9] , Export, Left
		1	J, T	P	74			*00	[XL] , Export, Left
		1	J, T	S	74			*00	[L9] , Export, Left
		1	J, T	S	74			*00	[X9] , Export, Left
		1	J, T	S	74			*00	[XT], Right
		1	U	P	74			*00	[X9], Right
		1	J, T	S	74			*00	[XT] , Export, Left
		1	J, T	S	74			*00	[X9], Right
		1	U	P	74			*00	[XL], Right
		1	J, T	P	74			*00	[X9], Right
		1	U	H	74			*00	[D3], Right

GRAND CHEROKEE (WK)

SERIES LINE
H = HIGHLINE T = JEEP - 2WD
P = PREMIUM J = JEEP - 4WD
S = SPORT U = JEEP - 4WD (RHD)

BODY
74 = SPORT UTILITY 4-DR
TYPE #4

ENGINE
ERB = 3.0L V6 Engine
EZH = 5.7L V8 HEMI MDS
VVT Engine
EXF = 3.0L V6 Turbo Diesel
Engine

TRANSMISSION
DGQ = 5-Spd Automatic 545RFE
Transmission
DGJ = 5-Speed Auto W5A580
Transmission

AR = use ase required - = Non illustrated part

2011 WK

Instrument Panel
Figure 50-1715

ITEM	PART NUMBER	QTY	LINE	SERIES	BODY	ENGINE	TRANS	TRIM	DESCRIPTION
		1	U	H	74			*00	[X9], Right
		1	J, T	H	74			*00	[D3], Export, Right
		1	J, T	H	74			*00	[X9], Export, Right
		1	J, T	P	74			*00	[X9], Export, Right
		1	J, T	P	74			*00	[XL], Export, Right
		1	J, T	H	74			*00	[D3], Left
		1	J, T	H	74			*00	[X9], Left
		1	J, T	S	74			*00	[L9], Left
		1	J, T	H	74			*00	[D3], Right
		1	J, T	H	74			*00	[X9], Right
		1	J, T	S	74			*00	[L9], Right
8									BEZEL, Instrument Panel, Center
	1TN98GFAAA	1	J, T	H	74			*00	[D3]
		1	J, T	H	74			*00	[X9]
		1	J, T	S	74			*00	[L9]
		1	J, T	S	74			*00	[X9]
		1	J, T	S	74			*00	[XT]
		1	U	P	74			*00	[X9]
		1	U	P	74			*00	[XL]
		1	J, T	P	74			*00	[X9]
		1	J, T	P	74			*00	[XL]
		1	U	H	74			*00	[D3]
		1	U	H	74			*00	[X9]
		1	J, T	H	74			*00	[D3], Export
		1	J, T	H	74			*00	[X9], Export
		1	J, T	P	74			*00	[X9], Export
		1	J, T	P	74			*00	[XL], Export
		1	J, T	S	74			*00	[L9], Export
		1	J, T	S	74			*00	[X9], Export
		1	J, T	S	74			*00	[XT], Export
9									APPLIQUE, Instrument Panel
	1TN91AAAAA	1	J, T	H	74			*00	[D3], Export
		1	J, T	H	74			*00	[X9], Export
		1	J, T	H	74			*00	[D3]

GRAND CHEROKEE (WK)

SERIES LINE
H = HIGHLINE T = JEEP - 2WD
P = PREMIUM J = JEEP - 4WD
S = SPORT U = JEEP - 4WD (RHD)

BODY
74 = SPORT UTILITY 4-DR
TYPE #4

ENGINE
ERB = 3.0L V6 Engine
EZH = 5.7L V8 HEMI MDS
VVT Engine
EXF = 3.0L V6 Turbo Diesel
Engine

TRANSMISSION
DGQ = 5-Spd Automatic 545RFE
Transmission
DGJ = 5-Speed Auto W5A580
Transmission

AR = use ase required - = Non illustrated part

2011 WK

Instrument Panel
Figure 50-1715

ITEM	PART NUMBER	QTY	LINE	SERIES	BODY	ENGINE	TRANS	TRIM	DESCRIPTION
10		1	J, T	H	74			*00	[X9] DAMPENER, Glove Box Door
	68086479AA	1	J, T	H	74			*00	
		1	J, T	S	74			*00	
		1	J, T	P	74			*00	
		1	J, T	H	74			*00	Export
		1	J, T	P	74			*00	Export
		1	J, T	S	74			*00	Export
11									DOOR, Glove Box
	1TN95HL1AA	1	J, T	S	74			*00	[L9]
		1	J, T	P	74			*00	[XL]
	1TP16DX9AA	1	U	P	74			*00	[X9]
		1	U	P	74			*00	[XL]
	1TN95BD3AA	1	J, T	H	74			*00	[D3]
	1TN95DX9AA	1	J, T	H	74			*00	[X9]
		1	J, T	S	74			*00	[X9]
		1	J, T	S	74			*00	[XT]
		1	J, T	P	74			*00	[X9]
-12									GLOVE BOX, Instrument Panel
		1	U	H	74			*00	[D3]
	1TN93DX9AA	1	J, T	H	74			*00	[X9]
		1	J, T	S	74			*00	[L9]
		1	J, T	S	74			*00	[X9]
		1	J, T	S	74			*00	[XT]
		1	J, T	P	74			*00	[X9]
		1	J, T	P	74			*00	[XL]
		1	J, T	S	74			*00	[L9] , Export
		1	J, T	S	74			*00	[X9] , Export
		1	J, T	P	74			*00	[XL] , Export
		1	U	P	74			*00	[X9]
	1	U	P	74			*00	[XI]	
	1	J, T	S	74			*00	[XT] , Export	

GRAND CHEROKEE (WK)

SERIES LINE
H = HIGHLINE T = JEEP - 2WD
P = PREMIUM J = JEEP - 4WD
S = SPORT U = JEEP - 4WD (RHD)

BODY
74 = SPORT UTILITY 4-DR
TYPE #4

ENGINE
ERB = 3.0L V6 Engine
EZH = 5.7L V8 HEMI MDS
VVT Engine
EXF = 3.0L V6 Turbo Diesel
Engine

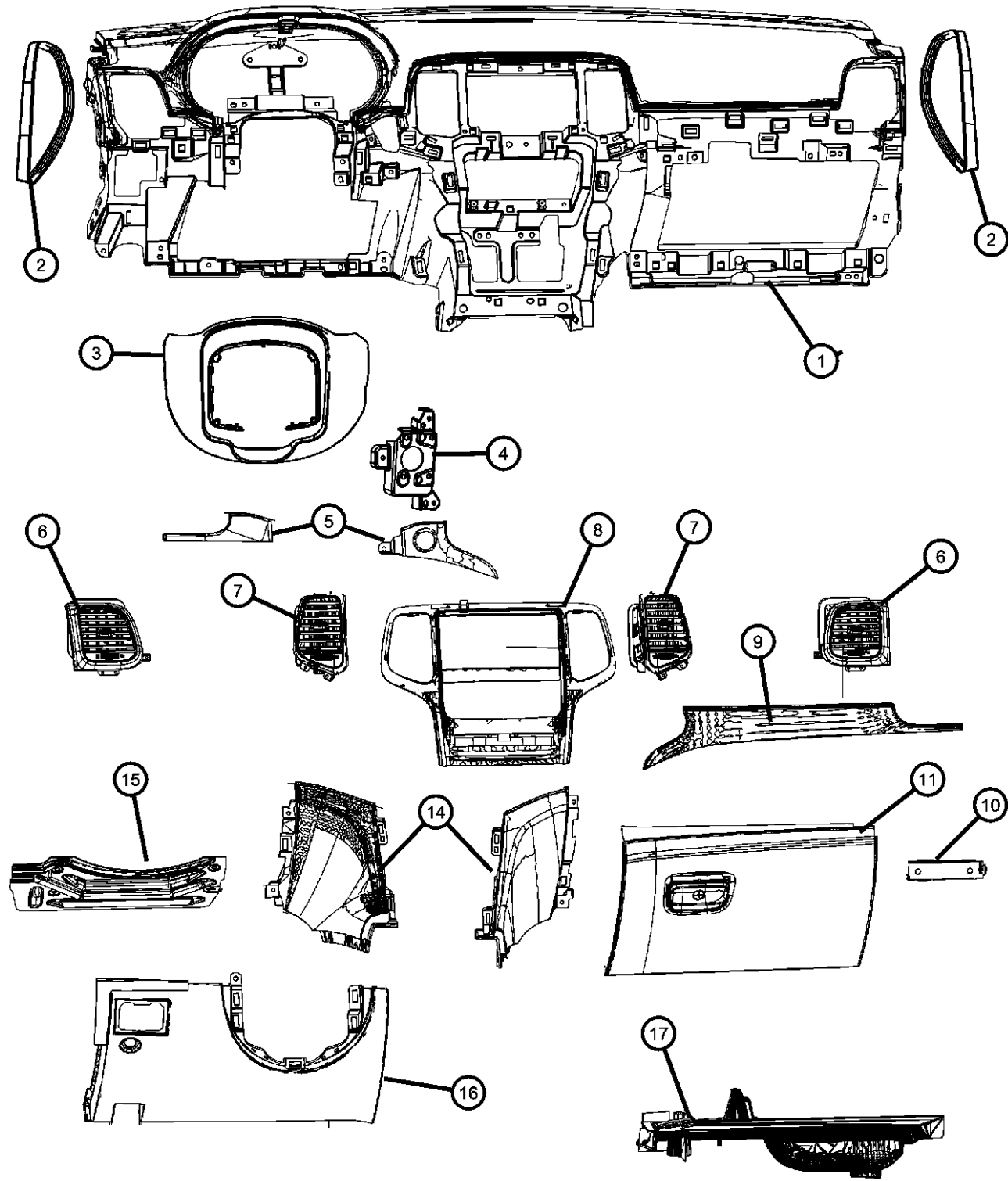
TRANSMISSION
DGQ = 5-Spd Automatic 545RFE
Transmission
DGJ = 5-Speed Auto W5A580
Transmission

AR = use ase required - = Non illustrated part

2011 WK

**Instrument Panel
Figure 50-1715**

ITEM	PART NUMBER	QTY	LINE	SERIES	BODY	ENGINE	TRANS	TRIM	DESCRIPTION	
-13	1TN94DX9AA	1	J, T	H	74			*00	[D3], Export	
		1	J, T	H	74			*00	[X9], Export	
		1	J, T	P	74			*00	[X9], Export	
		1	U	H	74			*00	[X9]	
		1	U	H	74			*00	[D3]	
										SHELF, Glove Box
		1	J, T	S	74			*00	[X9]	
		1	J, T	S	74			*00	[XT]	
		1	J, T	P	74			*00	[X9]	
		1	J, T	H	74			*00	[X9]	
		1	J, T	S	74			*00	[L9]	
		1	J, T	P	74			*00	[XL]	
		1	J, T	H	74			*00	[D3], Export	
		1	J, T	H	74			*00	[X9], Export	
		1	J, T	P	74			*00	[X9], Export	
		1	J, T	P	74			*00	[XL], Export	
		14	1TP15DX9AA	1	J, T	S	74			*00
1	J, T			S	74			*00	[X9], Export	
1	J, T			S	74			*00	[XT], Export	
1	U			P	74			*00	[X9]	
1	U			P	74			*00	[XL]	
1	J, T			H	74			*00	[D3]	
1	U			H	74			*00	[D3]	
1	U			H	74			*00	[X9]	
										PANEL, Instrument Lower
1	J, T			P	74			*00	[X9], Right	
15	55315163AB	1	J, T	H	74			*00	[X9], Right	
		1	J, T	P	74			*00	[XL], Right	
		1	J, T	H	74			*00	[D3], Left	
		1	J, T	P	74			*00	[X9], Left	
		1	J, T	H	74			*00	[X9], Left	
		1	J, T	P	74			*00	[XL], Left	
		1	J, T	H	74			*00	[D3], Right	
15	55315163AB	1	J, T, U		74			BRACKET, Knee Protector		



GRAND CHEROKEE (WK)

SERIES LINE
H = HIGHLINE T = JEEP - 2WD
P = PREMIUM J = JEEP - 4WD
S = SPORT U = JEEP - 4WD (RHD)

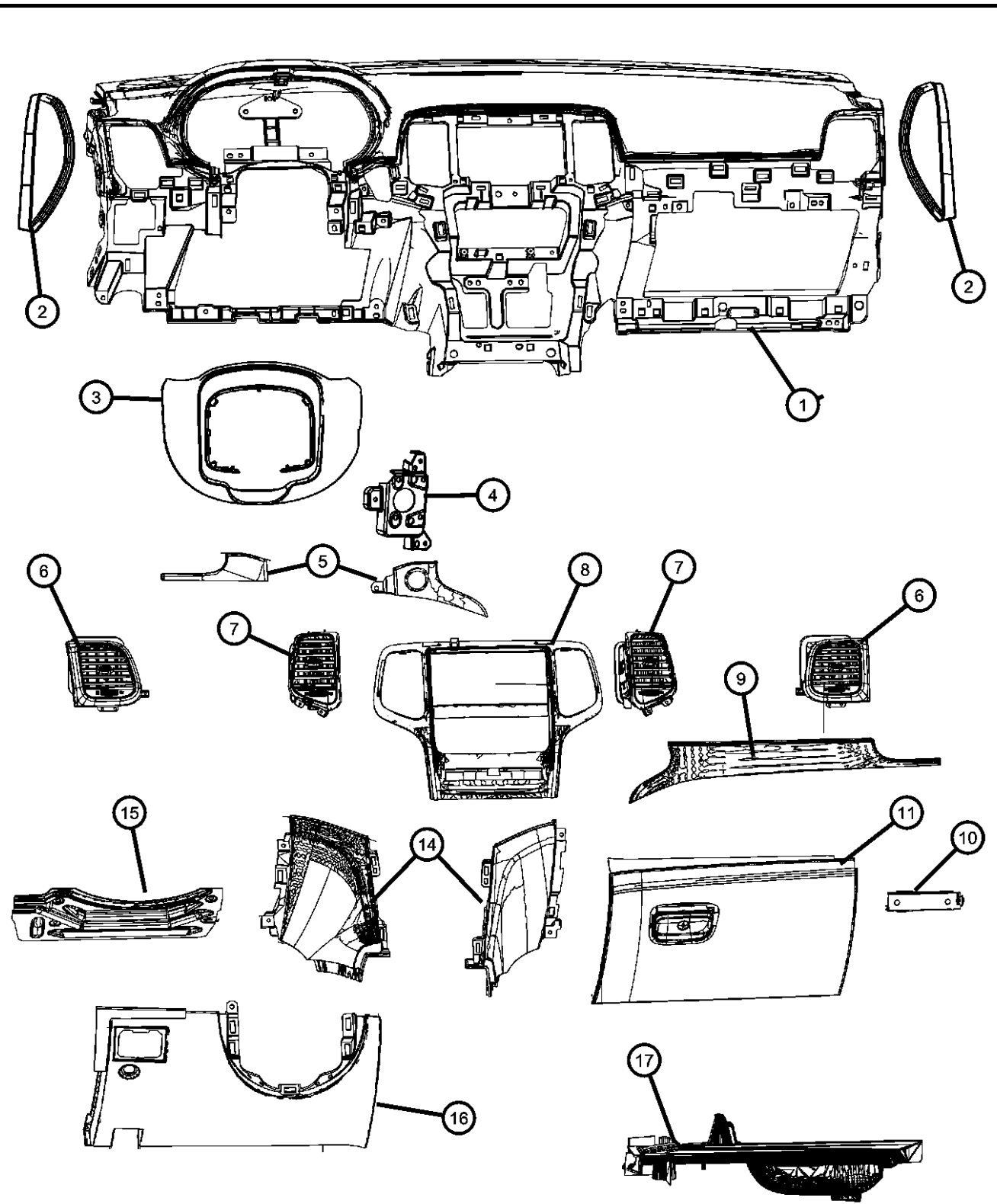
BODY
74 = SPORT UTILITY 4-DR
TYPE #4

ENGINE
ERB = 3.0L V6 Engine
EZH = 5.7L V8 HEMI MDS
VVT Engine
EXF = 3.0L V6 Turbo Diesel
Engine

TRANSMISSION
DGQ = 5-Spd Automatic 545RFE
Transmission
DGJ = 5-Speed Auto W5A580
Transmission

AR = use ase required - = Non illustrated part

Instrument Panel
Figure 50-1715



ITEM	PART NUMBER	QTY	LINE	SERIES	BODY	ENGINE	TRANS	TRIM	DESCRIPTION
16									COVER, Steering Column
	1TP02BD3AA	1	J, T	H	74			*00	[D3]
		1	J, T	H	74			*00	[D3] , Export
	1TP02DX9AA	1	J, T	H	74			*00	[X9]
		1	J, T	S	74			*00	[X9]
		1	J, T	S	74			*00	[XT]
		1	J, T	P	74			*00	[X9]
		1	J, T	H	74			*00	[X9] , Export
		1	J, T	P	74			*00	[X9] , Export
		1	J, T	S	74			*00	[X9] , Export
		1	J, T	S	74			*00	[XT] , Export
	1TP02HL1AA	1	J, T	S	74			*00	[L9]
		1	J, T	P	74			*00	[XL]
		1	J, T	P	74			*00	[XL] , Export
		1	J, T	S	74			*00	[L9] , Export
	1TP13BD3AA	1	U	H	74			*00	[D3]
	1TP13DX9AA	1	U	P	74			*00	[X9]
		1	U	H	74			*00	[X9]
	1TP13HL1AA	1	U	P	74			*00	[XL]
17									PANEL, Close out
	1SK23HL1AA	1	U		74			*00	[L9]
		1	U		74			*00	[XL]
	1SK22DX9AA	1	J, T		74			*00	[X9]
		1	J, T		74			*00	[XT]
	1SK22HL1AA	1	J, T		74			*00	[L9]
		1	J, T		74			*00	[XL]
	1SK23DX9AA	1	U		74			*00	[XT]
	1SK22BD3AA	1	J, T		74			*00	[D3]
	1SK23BD3AA	1	U		74			*00	[D3]
		1	U		74			*00	[X9]
-18									BIN, Storage, Bottom of Center Stack
	1QQ16DX9AG	1	J, T, U		74			*00	[XF], [RST]
	1QQ00DX9AE	1	J, T, U		74			*00	[X9]

GRAND CHEROKEE (WK)

SERIES LINE
H = HIGHLINE T = JEEP - 2WD
P = PREMIUM J = JEEP - 4WD
S = SPORT U = JEEP - 4WD (RHD)

BODY
74 = SPORT UTILITY 4-DR
TYPE #4

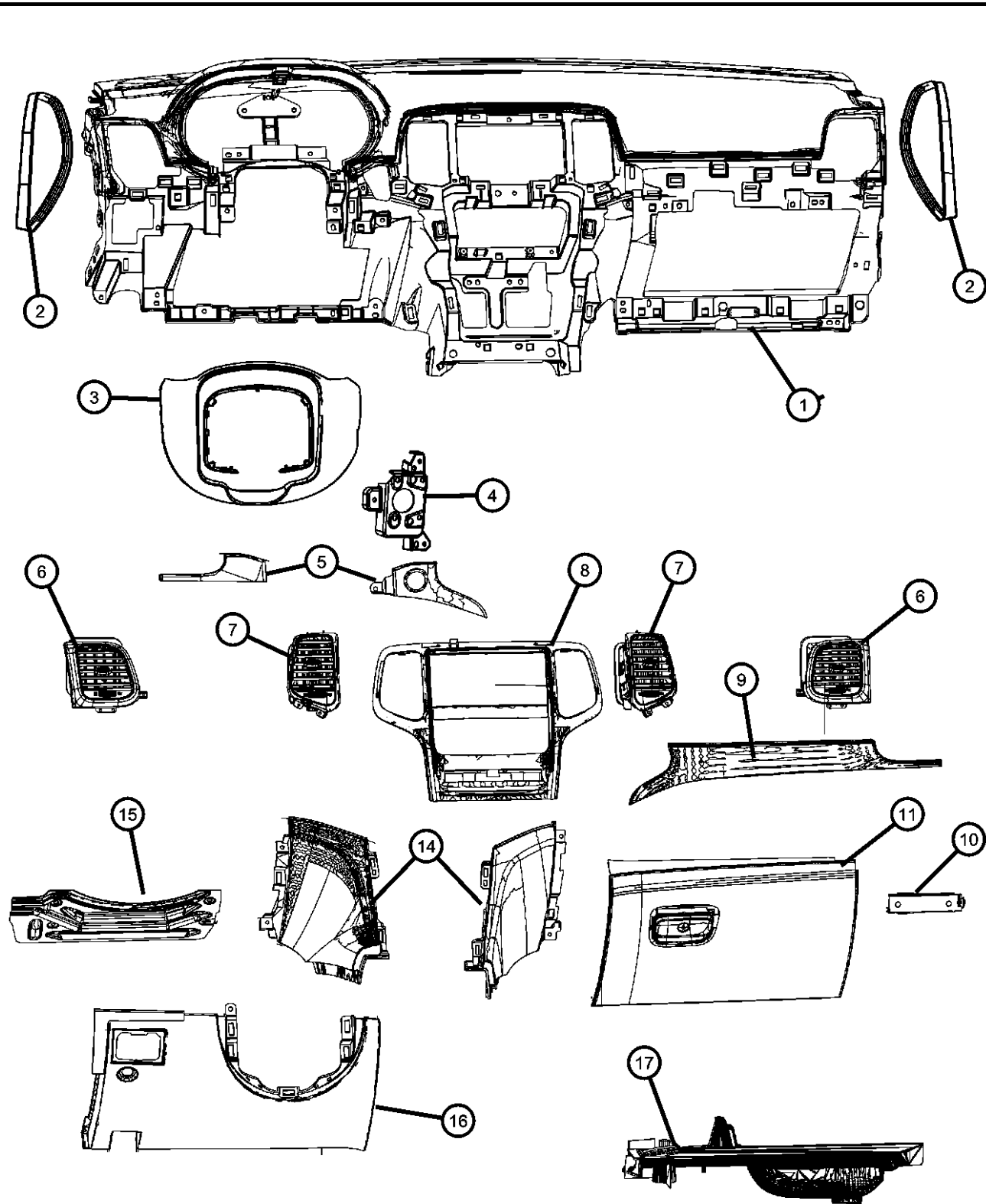
ENGINE
ERB = 3.0L V6 Engine
EZH = 5.7L V8 HEMI MDS
VVT Engine
EXF = 3.0L V6 Turbo Diesel
Engine

TRANSMISSION
DGQ = 5-Spd Automatic 545RFE
Transmission
DGJ = 5-Speed Auto W5A580
Transmission

AR = use ase required - = Non illustrated part

2011 WK

Instrument Panel
Figure 50-1715



ITEM	PART NUMBER	QTY	LINE	SERIES	BODY	ENGINE	TRANS	TRIM	DESCRIPTION
		1	J, T, U		74			*00	[XT]
		1	J, T, U		74			*00	[XL]
	1QQ00DX9AF	1	J, T, U		74			*00	[D3]
	1QQ16DX9AE	1	J, T, U		74			*00	[X9], [RST]
		1	J, T, U		74			*00	[XL], [RST]
		1	J, T, U		74			*00	[XT], [RST]
		1	J, T, U		74			*00	[D3], [RST]
		1	J, T, U		74			*00	[L9], [RST]
		1	J, T, U		74			*00	[L9]
		1	J, T, U		74			*00	[XF]
-19	04746305	1	J, T, U		74				CYLINDER, Console Lock, Glove Box
-20	05257132AB	1	J, T, U		74				TUMBLER, Number 1
-21	05257133AB	1	J, T, U		74				TUMBLER, Number 2
-22	05257134AB	1	J, T, U		74				TUMBLER, Number 3
-23	05257135AB	1	J, T, U		74				TUMBLER, Number 4
-24	04746873	1	J, T, U		74				SPRING, Lock Cylinder Tumbler

GRAND CHEROKEE (WK)

SERIES LINE
H = HIGHLINE T = JEEP - 2WD
P = PREMIUM J = JEEP - 4WD
S = SPORT U = JEEP - 4WD (RHD)

BODY
74 = SPORT UTILITY 4-DR
TYPE #4

ENGINE
ERB = 3.0L Mid V6 Engine
EZH = 5.7L V8 HEMI MDS
VVT Engine
EXF = 3.0L V6 Turbo Diesel
Engine

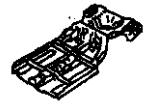
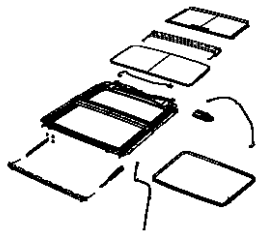

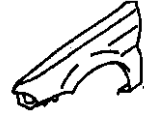


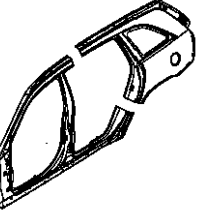
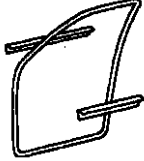
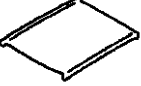
TRANSMISSION
DGQ = 5-Spd Automatic 545RFE
Transmission
DGJ = 5-Speed Auto W5A580
Transmission

AR = use ase required - = Non illustrated part

2011 WK

Group - 60

Body Sheet Metal Except Doors

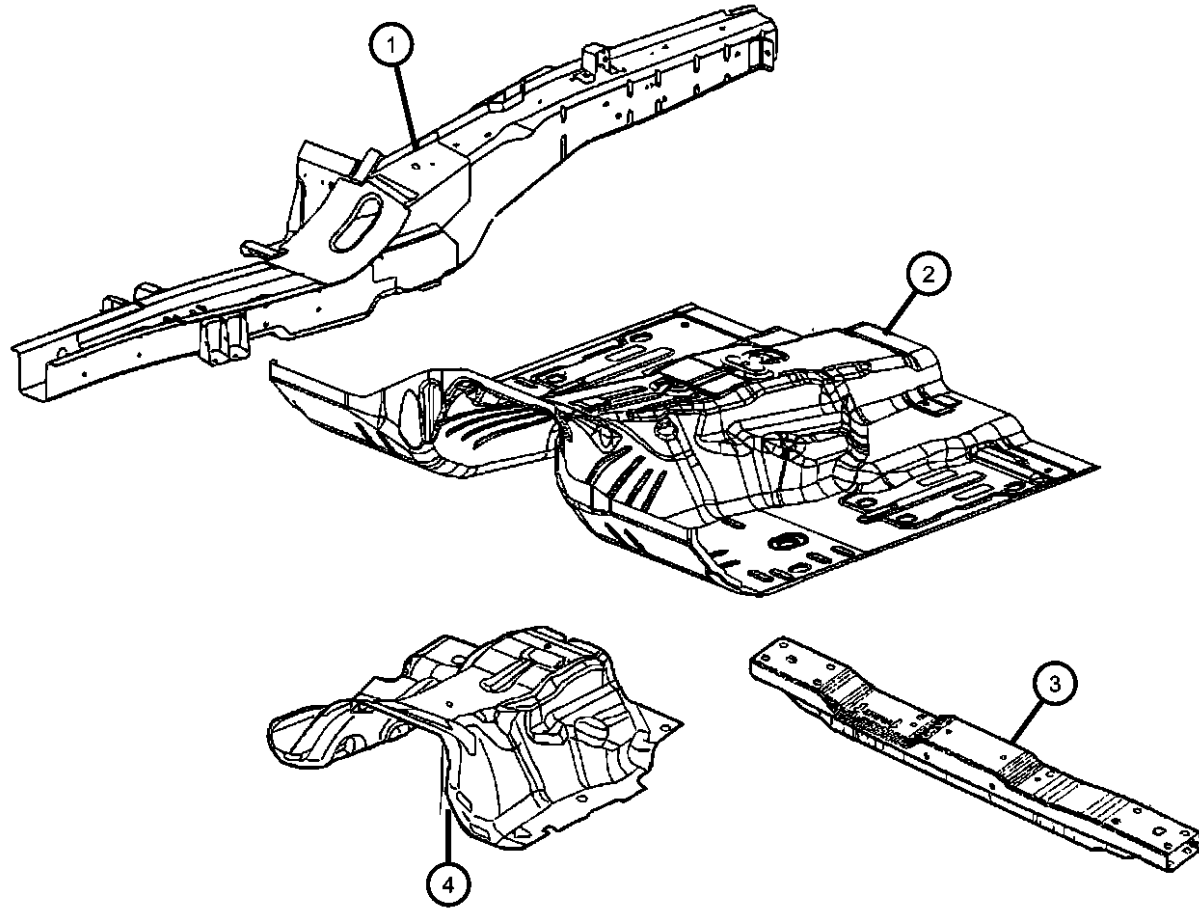
<p>060-100 Floor Pans</p> 	<p>060-1000 Sunroof</p> 	<p>060-1300 Sport Bar or Luggage Rack</p>	<p>060-200 Plugs</p> 
<p>060-300 Fenders</p> 	<p>060-400 Hood and Hood Release</p> 	<p>060-500 Cowl and Dash Panel</p> 	<p>060-600 Aperture Panel and Pillar Supports</p> 
<p>060-800 Body Structure Welds, Weatherstrips, Seals, Sealers and Adhesives</p> 	<p>060-900 Roof</p> 		

Group - 60 Body Sheet Metal Except Doors

Illustration Title	Group-Fig. No.
Floor Pans	
Front Floor Pan.....	Fig. 60 - 105
Center and Rear Floor Pan.....	Fig. 60 - 130
Plugs	
Body Plugs and Exhauster.....	Fig. 60 - 205
Fenders	
Front Fender.....	Fig. 60 - 305
Front Fender Shields.....	Fig. 60 - 350
Hood and Hood Release	
Hood and Related Parts.....	Fig. 60 - 405
Hood Related Parts.....	Fig. 60 - 410
Cowl and Dash Panel	
Cowl, Dash Panel, & Related Parts.....	Fig. 60 - 505
Aperture Panel and Pillar Supports	
Aperture Panels.....	Fig. 60 - 605
Quarter Panel.....	Fig. 60 - 650
Body Structure Welds, Weatherstrips, Seals, Sealers and Adhesives	
Body Weatherstrips and Seals.....	Fig. 60 - 805
Roof	
Roof Panel.....	Fig. 60 - 905
Sunroof	
Sunroof Glass and Component Parts.....	Fig. 60 - 1005
Sunroof Glass And Component Parts.....	Fig. 60 - 1010
Sunroof Drain Hoses.....	Fig. 60 - 1050
Sport Bar or Luggage Rack	
Roof Rack.....	Fig. 60 - 1305

Front Floor Pan
Figure 60-105

ITEM	PART NUMBER	QTY	LINE	SERIES	BODY	ENGINE	TRANS	TRIM	DESCRIPTION
1	68028075AH	1	J, T, U		74				RAIL, Front Side Rail Front Left
	68028076AH	1	J, T		74				Right
2	55369733AG	1	J, T, U		74				PAN, Floor
3	52124631AC	1	J, T		74				CROSSMEMBER, Transmission
	04578817AC	1	U		74				
4	55197462AD	1	J, T, U		74				INSULATION, Floor



GRAND CHEROKEE (WK)

SERIES LINE
H = HIGHLINE T = JEEP - 2WD
P = PREMIUM J = JEEP - 4WD
S = SPORT U = JEEP - 4WD (RHD)

BODY
74 = SPORT UTILITY 4-DR
TYPE #4

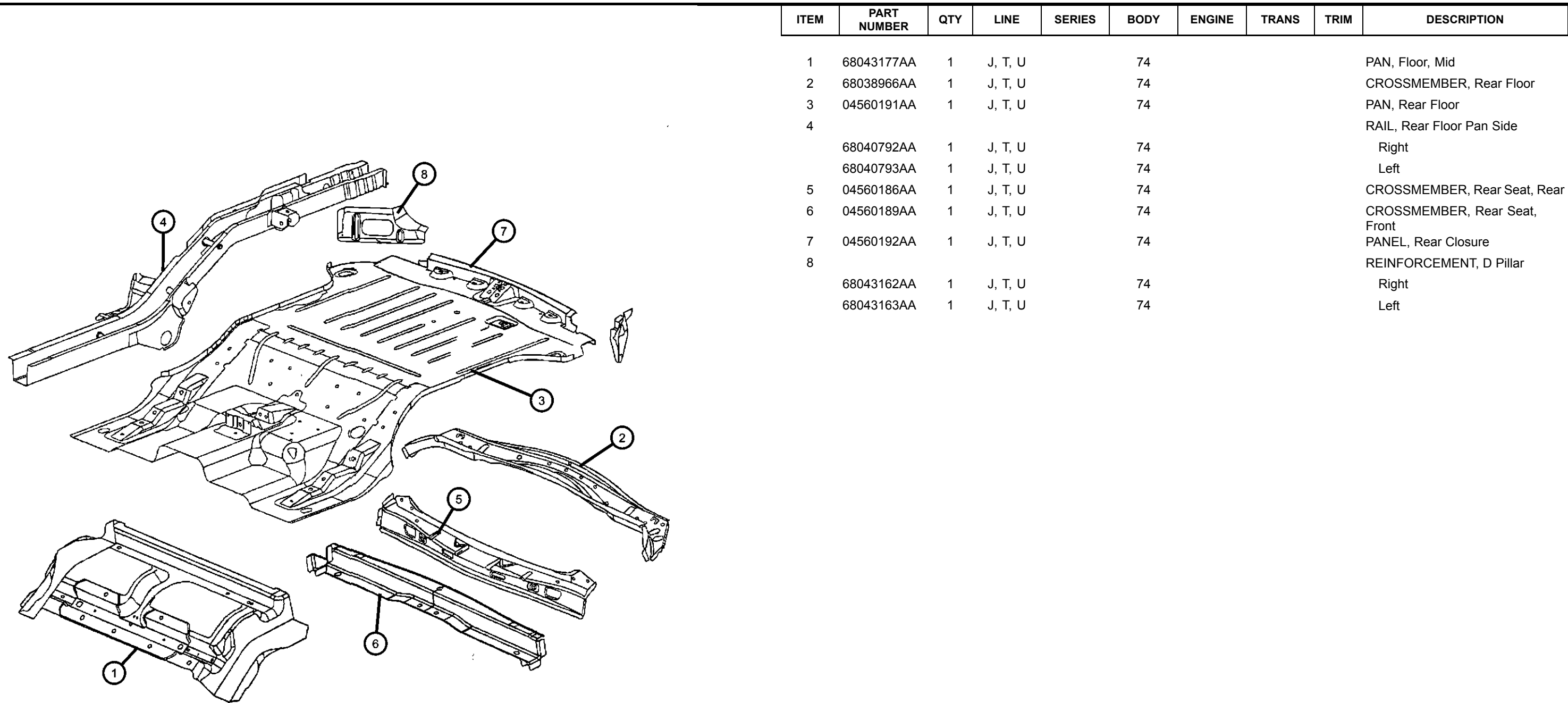
ENGINE
ERB = 3.0L Mid V6 Engine
EZH = 5.7L V8 HEMI MDS
VVT Engine
EXF = 3.0L V6 Turbo Diesel
Engine

TRANSMISSION
DGQ = 5-Spd Automatic 545RFE
Transmission
DGJ = 5-Speed Auto W5A580
Transmission

AR = use ase required - = Non illustrated part

2011 WK

Center and Rear Floor Pan
Figure 60-130



ITEM	PART NUMBER	QTY	LINE	SERIES	BODY	ENGINE	TRANS	TRIM	DESCRIPTION
1	68043177AA	1	J, T, U		74				PAN, Floor, Mid
2	68038966AA	1	J, T, U		74				CROSSMEMBER, Rear Floor
3	04560191AA	1	J, T, U		74				PAN, Rear Floor
4									RAIL, Rear Floor Pan Side
	68040792AA	1	J, T, U		74				Right
	68040793AA	1	J, T, U		74				Left
5	04560186AA	1	J, T, U		74				CROSSMEMBER, Rear Seat, Rear
6	04560189AA	1	J, T, U		74				CROSSMEMBER, Rear Seat, Front
7	04560192AA	1	J, T, U		74				PANEL, Rear Closure
8									REINFORCEMENT, D Pillar
	68043162AA	1	J, T, U		74				Right
	68043163AA	1	J, T, U		74				Left

GRAND CHEROKEE (WK)

SERIES LINE
H = HIGHLINE T = JEEP - 2WD
P = PREMIUM J = JEEP - 4WD
S = SPORT U = JEEP - 4WD (RHD)

BODY
74 = SPORT UTILITY 4-DR
TYPE #4

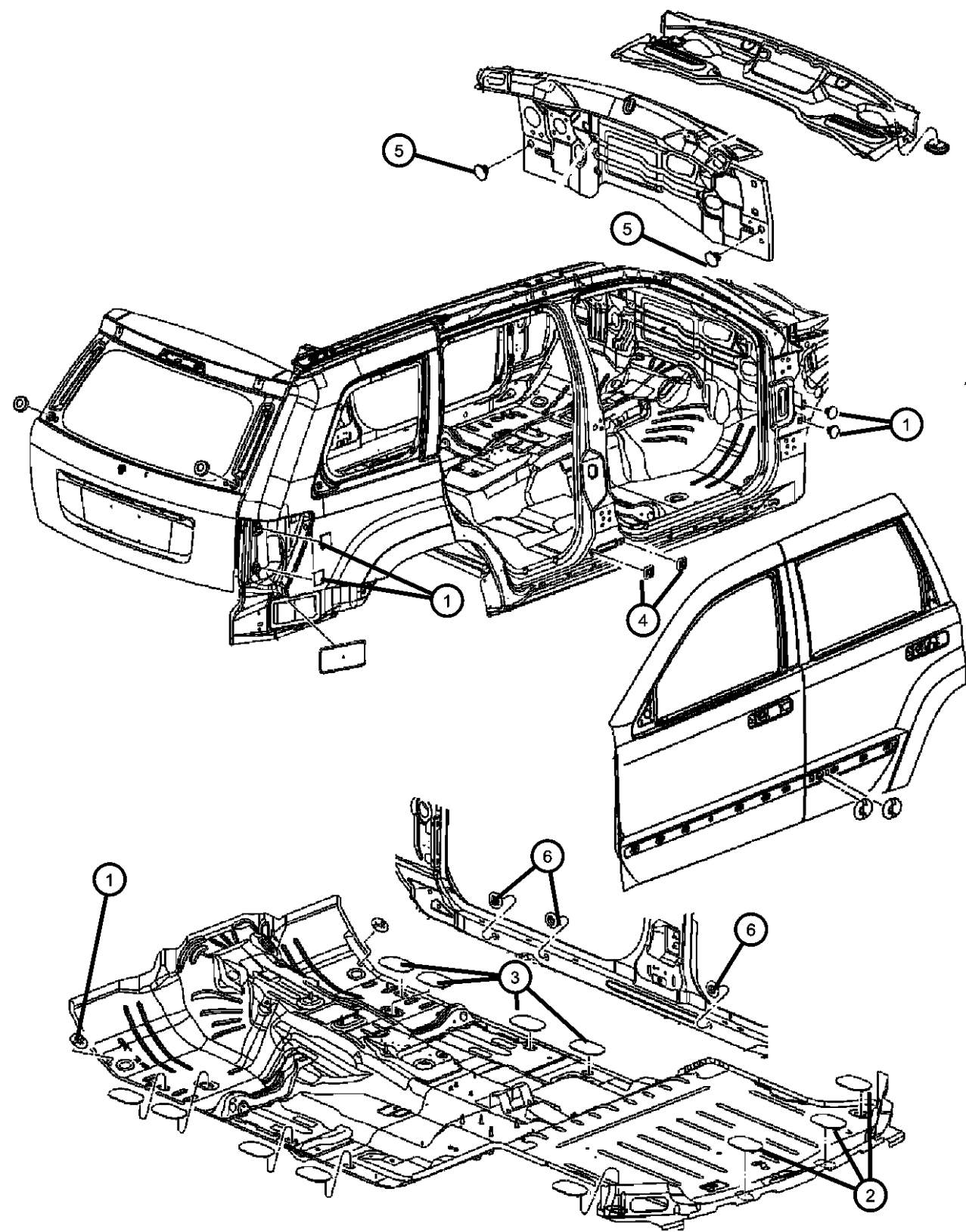
ENGINE
ERB = 3.0L Mid V6 Engine
EZH = 5.7L V8 HEMI MDS
VVT Engine
EXF = 3.0L V6 Turbo Diesel
Engine

TRANSMISSION
DGQ = 5-Spd Automatic 545RFE
Transmission
DGJ = 5-Speed Auto W5A580
Transmission

AR = use ase required - = Non illustrated part

2011 WK

Body Plugs and Exhauster
Figure 60-205



ITEM	PART NUMBER	QTY	LINE	SERIES	BODY	ENGINE	TRANS	TRIM	DESCRIPTION
1	05116448AC	4	J, T, U		74				PLUG, Access Hole
2	04589408AA	3	J, T, U		74				PLUG, Floor Pan
3	05116448AC	2	J, T, U		74				PLUG, Access Hole
4	04780615AB	2	J, T, U		74				PLUG, Body, .75 Diameter
5		2							PLUG, Access Hole, (NOT SERVICED)
6		2							PLUG, Drain, (NOT SERVICED)

GRAND CHEROKEE (WK)

SERIES LINE
H = HIGHLINE T = JEEP - 2WD
P = PREMIUM J = JEEP - 4WD
S = SPORT U = JEEP - 4WD (RHD)

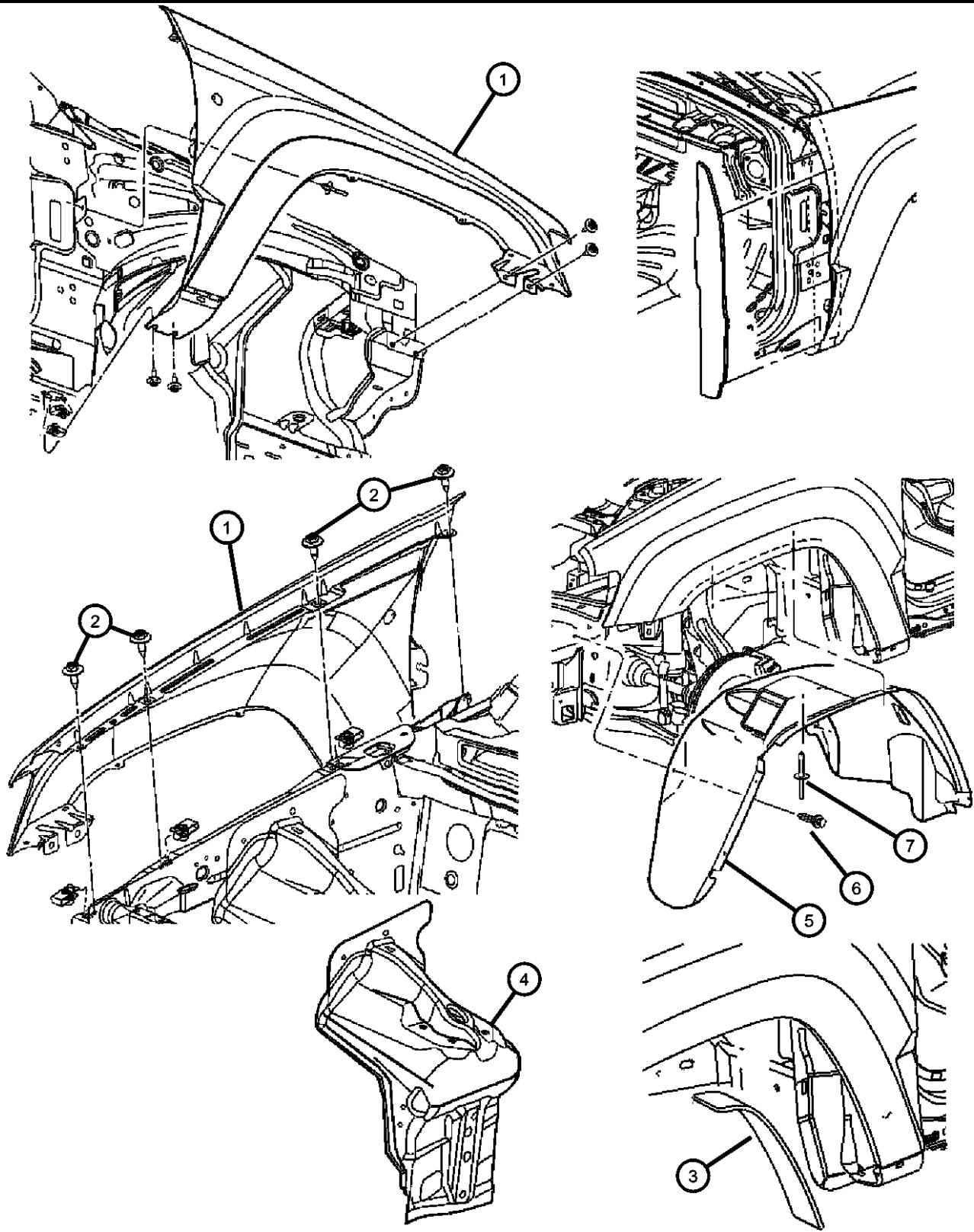
BODY
74 = SPORT UTILITY 4-DR
TYPE #4

ENGINE
ERB = 3.0L Mid V6 Engine
EZH = 5.7L V8 HEMI MDS
VVT Engine
EXF = 3.0L V6 Turbo Diesel
Engine

TRANSMISSION
DGQ = 5-Spd Automatic 545RFE
Transmission
DGJ = 5-Speed Auto W5A580
Transmission

AR = use ase required - = Non illustrated part

Front Fender
Figure 60-305



ITEM	PART NUMBER	QTY	LINE	SERIES	BODY	ENGINE	TRANS	TRIM	DESCRIPTION
1	55113682AB	1	J, T, U		74				PANEL, Fender Right, Export
	55113683AB	1	J, T, U		74				Left, Export
	55369596AB	1	J, T, U		74				Right
	55369597AB	1	J, T, U		74				Left
2		1							SCREW AND WASHER, Hex Head, M6x1x15, (NOT SERVICED)
3	55197430AB	2	J, T, U		74				STUFFER
4									REINFORCEMENT, Fender
	68083018AA	1	J, T, U		74				Right
	68083019AA	1	J, T, U		74				Left
5									SILENCER, Wheelhouse
	55079292AC	1	J, T, U		74				Right
	55079293AC	1	J, T, U		74				Left
6	06509414AA	1	J, T, U		74				SCREW AND WASHER, Hex Head, M6X1.00X30.00, Liner To Belly Pan
7		1							PIN, Push, (NOT SERVICED)

GRAND CHEROKEE (WK)

SERIES LINE
H = HIGHLINE T = JEEP - 2WD
P = PREMIUM J = JEEP - 4WD
S = SPORT U = JEEP - 4WD (RHD)

BODY
74 = SPORT UTILITY 4-DR
TYPE #4

ENGINE
ERB = 3.0L Mid V6 Engine
EZH = 5.7L V8 HEMI MDS
VVT Engine
EXF = 3.0L V6 Turbo Diesel
Engine

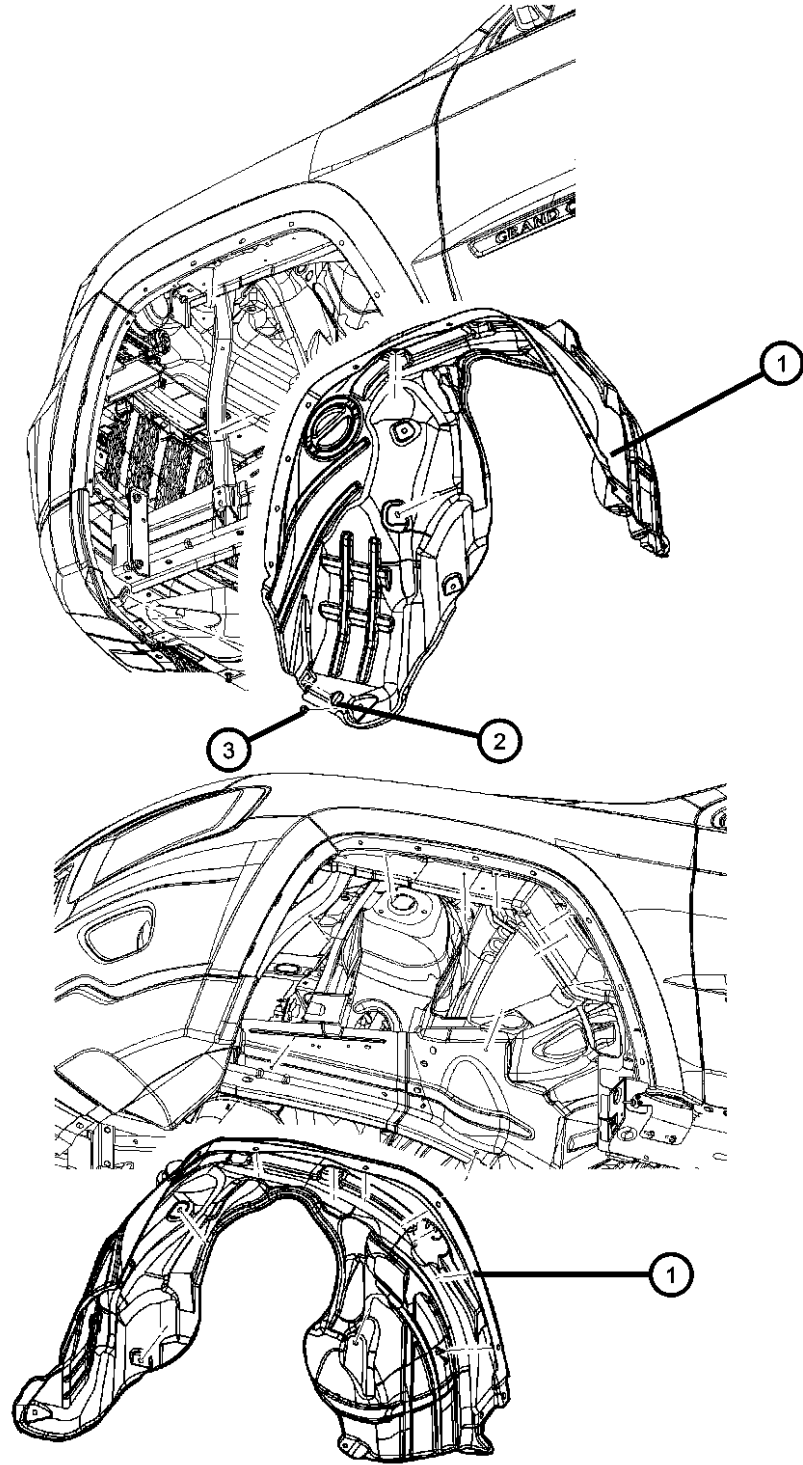
TRANSMISSION
DGQ = 5-Spd Automatic 545RFE
Transmission
DGJ = 5-Speed Auto W5A580
Transmission

AR = use ase required - = Non illustrated part

2011 WK

Front Fender Shields
Figure 60-350

ITEM	PART NUMBER	QTY	LINE	SERIES	BODY	ENGINE	TRANS	TRIM	DESCRIPTION
1	55079292AC	1	J, T, U		74				SILENCER, Wheelhouse Right
	55079293AC	1	J, T, U		74				Left
2	06509414AA	1	J, T, U		74				SCREW AND WASHER, Hex Head, M6X1.00X30.00, Liner To Belly Pan
3		1							PIN, Push, (NOT SERVICED)



GRAND CHEROKEE (WK)

SERIES LINE
H = HIGHLINE T = JEEP - 2WD
P = PREMIUM J = JEEP - 4WD
S = SPORT U = JEEP - 4WD (RHD)

BODY
74 = SPORT UTILITY 4-DR
TYPE #4

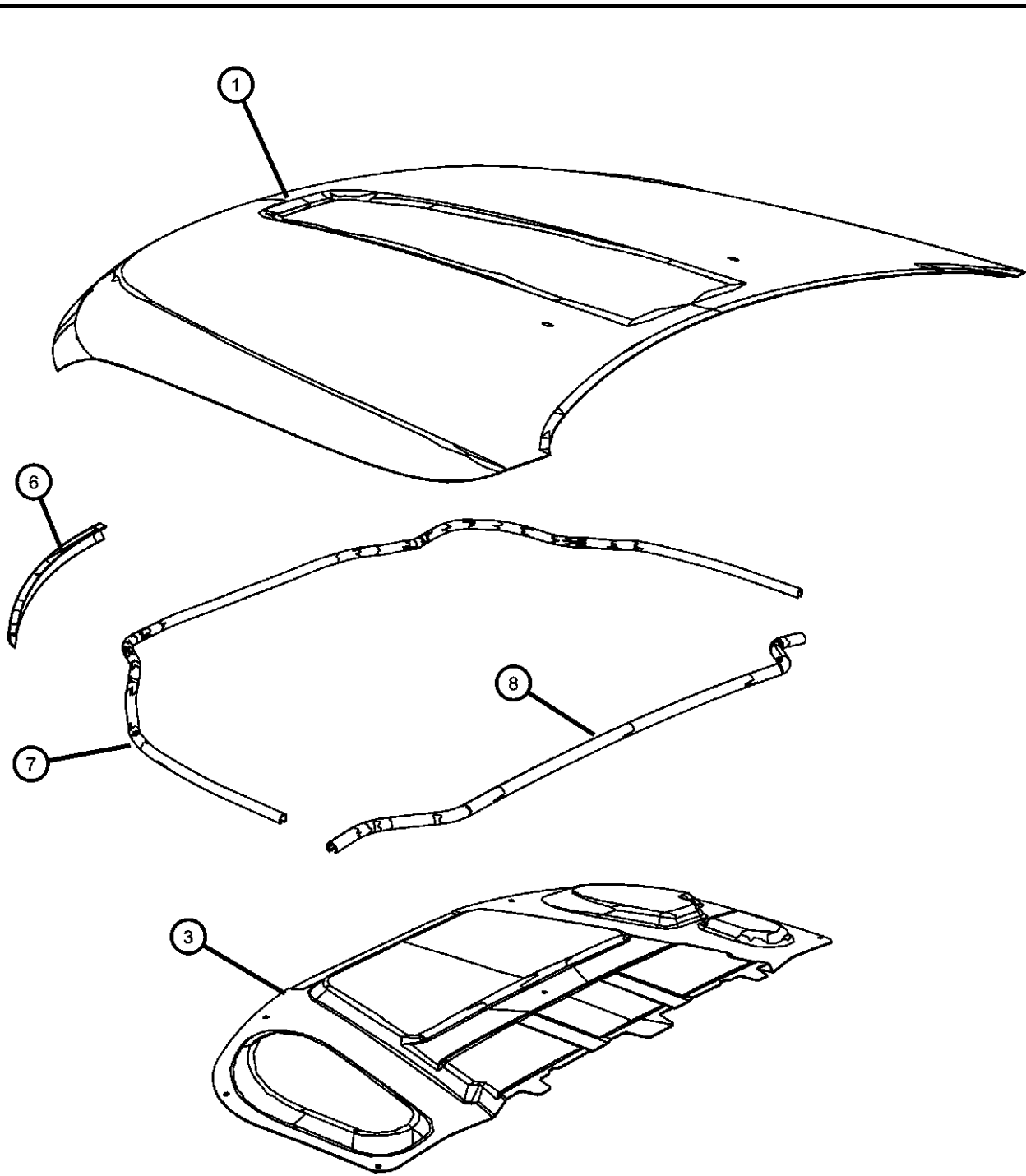
ENGINE
ERB = 3.0L Mid V6 Engine
EZH = 5.7L V8 HEMI MDS
VVT Engine
EXF = 3.0L V6 Turbo Diesel
Engine

TRANSMISSION
DGQ = 5-Spd Automatic 545RFE
Transmission
DGJ = 5-Speed Auto W5A580
Transmission

AR = use ase required - = Non illustrated part

2011 WK

Hood and Related Parts
Figure 60-405



ITEM	PART NUMBER	QTY	LINE	SERIES	BODY	ENGINE	TRANS	TRIM	DESCRIPTION
1	55369587AC	1	J, T, U		74				PANEL, Hood
-2									HINGE, Hood, Hood Half
	55369562AA	1	J, T, U		74				Right
	55369563AB	1	J, T, U		74				Left
3	55197417AD	1	J, T, U		74				INSULATION, Hood
-4	04878883AA	9	J, T, U		74				PIN, Push
-5	04589689AA	1	J, T, U		74				STRIKER, Hood Latch
6	68084597AA	1	J, T, U		74				SEAL, Hood, Left Side Only, Snow Blocker
7	68070493AA	1	J, T, U		74				SEAL, Hood
8	68048708AD	1	J, T, U		74				SEAL, Hood

GRAND CHEROKEE (WK)

SERIES LINE
H = HIGHLINE T = JEEP - 2WD
P = PREMIUM J = JEEP - 4WD
S = SPORT U = JEEP - 4WD (RHD)

BODY
74 = SPORT UTILITY 4-DR
TYPE #4

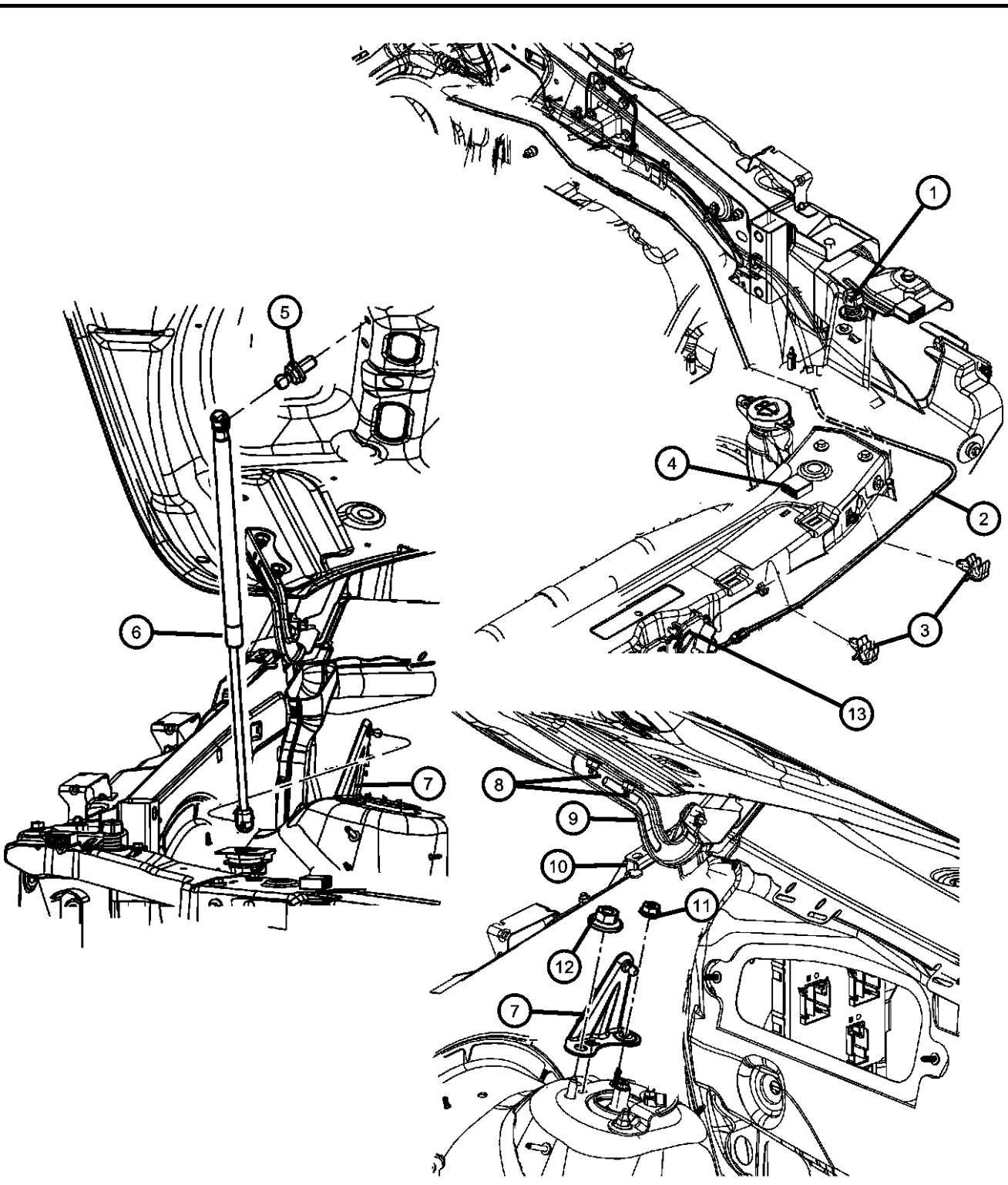
ENGINE
ERB = 3.XL Mid V6 Engine
EZH = 5.7L V8 HEMI MDS
VVT Engine
EXF = 3.0L V6 Turbo Diesel
Engine

TRANSMISSION
DGQ = 5-Spd Automatic 545RFE
Transmission
DGJ = 5-Speed Auto W5A580
Transmission

AR = use ase required - = Non illustrated part

2011 WK

Hood Related Parts
Figure 60-410



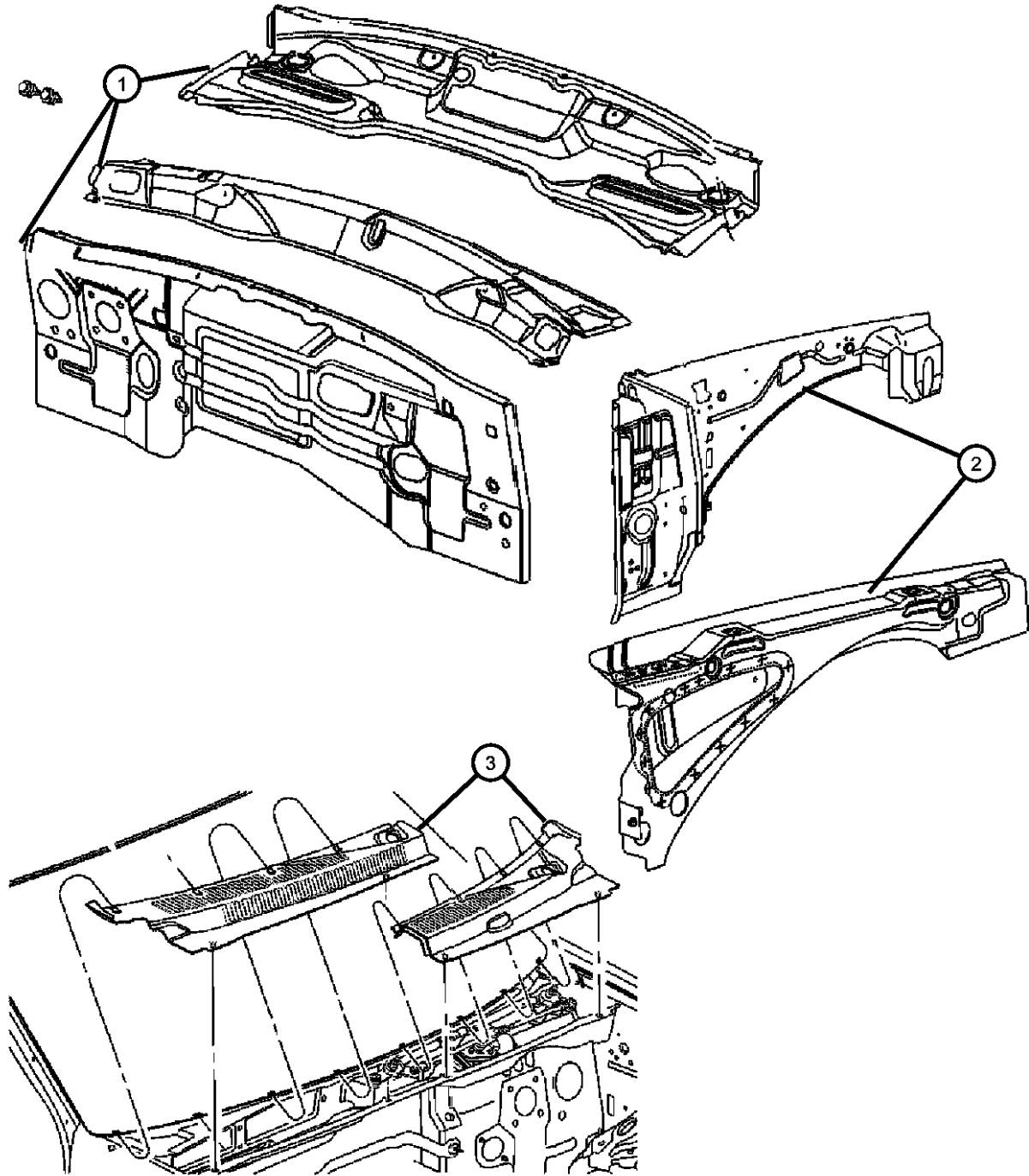
ITEM	PART NUMBER	QTY	LINE	SERIES	BODY	ENGINE	TRANS	TRIM	DESCRIPTION
1	05156136AA	2	J, T, U		74				BUMPER, Hood, Adjustable
2	68032581AB	1	J, T		74				RELEASE, Hood Latch
3	04814094	2	J, T		74				CLIP, Hood Latch Release
4	05156137AA	2	J, T, U		74				BUMPER, Hood
5	06509474AA	1	J, T, U		74				STUD
6	55113748AA	1	J, T, U		74				PROP, Hood
7	55113747AA	1	J, T, U		74				BRACKET, Hood Prop Rod
8	06104716AA	4	J, T, U		74				NUT, Hex Flange Lock, M8X1.25
9									HINGE, Hood, Hood Half
	55369562AA	1	J, T, U		74				Right
	55369563AB	1	J, T, U		74				Left
10									HINGE, Hood, Body Half
	68083022AA	1	J, T, U		74				Right
	68083023AA	1	J, T, U		74				Left
11	06101831	3	J, T, U		74				NUT, Hex Flange, M8x1.25
12	05097674AA	1	J, T, U		74				NUT, Hex, M6
13									LATCH, Hood
	04589688AB	1	J, T, U		74				[LSC], [XBM]
	04589701AB	1	J, T, U		74				

GRAND CHEROKEE (WK)

SERIES	LINE	BODY	ENGINE	TRANSMISSION
H = HIGHLINE	T = JEEP - 2WD	74 = SPORT UTILITY 4-DR	ERB = 3.0L Mid V6 Engine	DGQ = 5-Spd Automatic 545RFE
P = PREMIUM	J = JEEP - 4WD	TYPE #4	EZH = 5.7L V8 HEMI MDS	Transmission
S = SPORT	U = JEEP - 4WD (RHD)		VVT Engine	DGJ = 5-Speed Auto W5A580
			EXF = 3.0L V6 Turbo Diesel	Transmission
			Engine	

AR = use ase required - = Non illustrated part

**Cowl, Dash Panel, & Related Parts
Figure 60-505**



ITEM	PART NUMBER	QTY	LINE	SERIES	BODY	ENGINE	TRANS	TRIM	DESCRIPTION
1	68021019AC	1	J, T		74				PANEL, Dash
	68021141AC	1	U		74				
2	68083018AA	1	J, T, U		74				REINFORCEMENT, Fender Right
	68083019AA	1	J, T, U		74				
3	05058934AA	1	J, T, U		74				SILENCER, Plenum And Dash Panel

GRAND CHEROKEE (WK)

SERIES LINE
H = HIGHLINE T = JEEP - 2WD
P = PREMIUM J = JEEP - 4WD
S = SPORT U = JEEP - 4WD (RHD)

BODY
74 = SPORT UTILITY 4-DR
TYPE #4

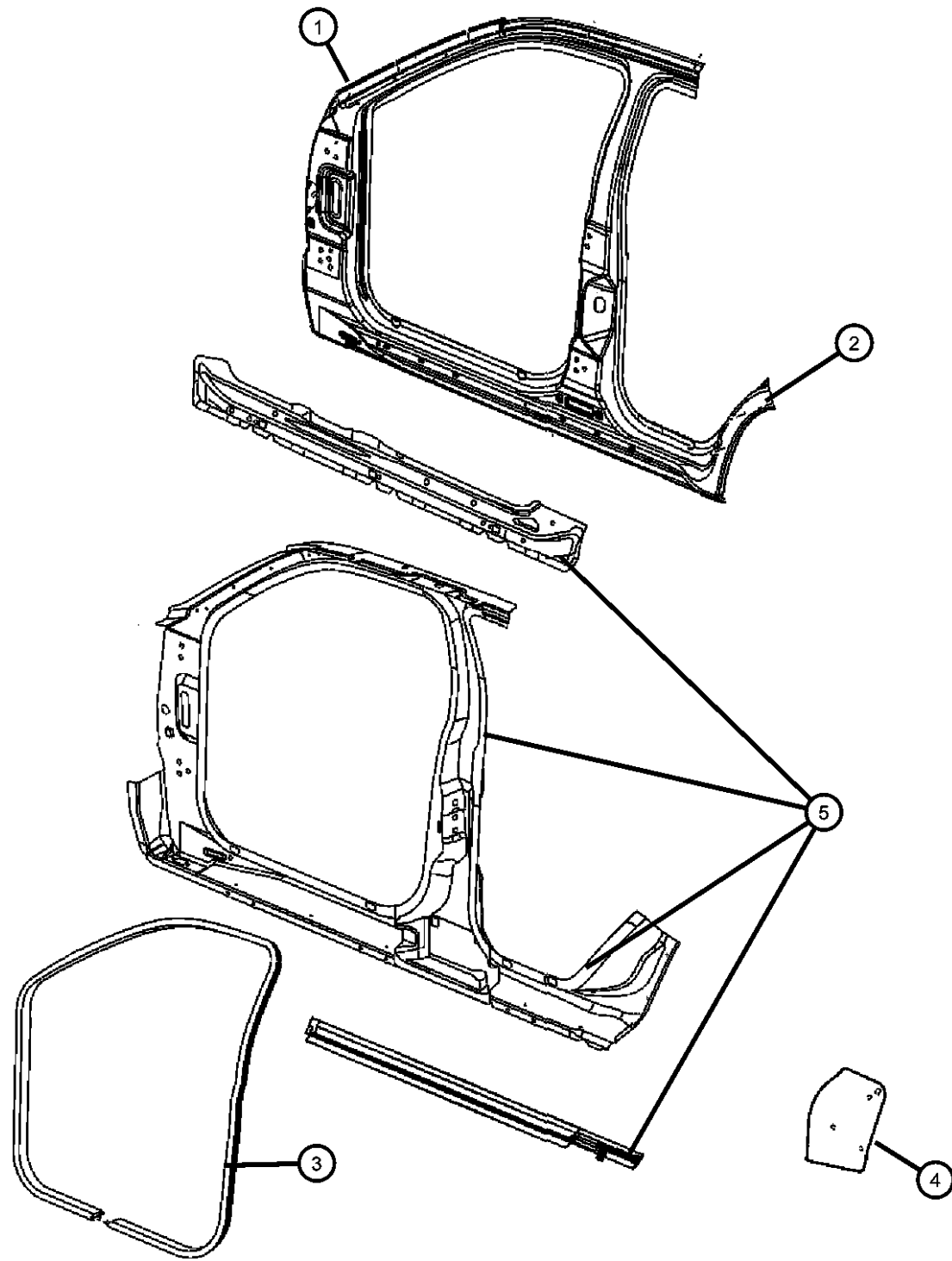
ENGINE
ERB = 3.XL Mid V6 Engine
EZH = 5.7L V8 HEMI MDS
VVT Engine
EXF = 3.0L V6 Turbo Diesel
Engine

TRANSMISSION
DGQ = 5-Spd Automatic 545RFE
Transmission
DGJ = 5-Speed Auto W5A580
Transmission

AR = use ase required - = Non illustrated part

2011 WK

Aperture Panels
Figure 60-605



ITEM	PART NUMBER	QTY	LINE	SERIES	BODY	ENGINE	TRANS	TRIM	DESCRIPTION
1	68078796AA	1	J, T, U		74				PANEL, Body Side Aperture Inner, Front Right
	68078797AA	1	J, T, U		74				Left
2	68078798AA	1	J, T, U		74				PANEL, Body Side Aperture Inner, Rear Right
	68078799AA	1	J, T, U		74				Left
3	55399256AB	1	J, T, U		74				WEATHERSTRIP, Front Door Secondary Right And Left
4	68036268AC	1	J, T, U		74				PANEL, Taillamp Mounting Right
	68036269AC	1	J, T, U		74				Left
5	55369622AB	1	J, T, U		74				REINFORCEMENT, Body Side Aperture Right
	55369623AB	1	J, T, U		74				Left

GRAND CHEROKEE (WK)

SERIES LINE
H = HIGHLINE T = JEEP - 2WD
P = PREMIUM J = JEEP - 4WD
S = SPORT U = JEEP - 4WD (RHD)

BODY
74 = SPORT UTILITY 4-DR TYPE #4

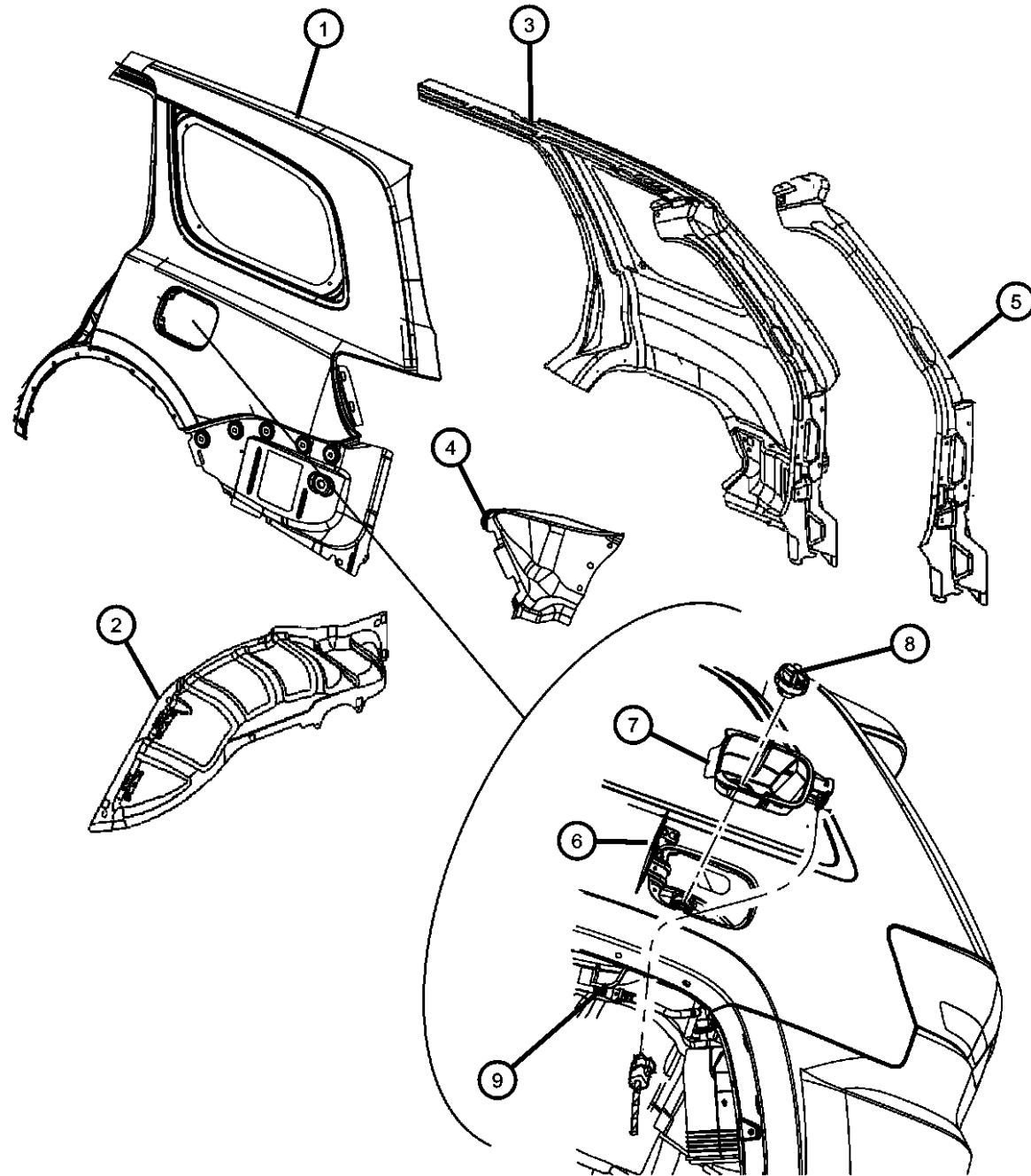
ENGINE
ERB = 3.0L Mid V6 Engine
EZH = 5.7L V8 HEMI MDS VVT Engine
EXF = 3.0L V6 Turbo Diesel Engine

TRANSMISSION
DGQ = 5-Spd Automatic 545RFE Transmission
DGJ = 5-Speed Auto W5A580 Transmission

AR = use ase required - = Non illustrated part

2011 WK

Quarter Panel
Figure 60-650



ITEM	PART NUMBER	QTY	LINE	SERIES	BODY	ENGINE	TRANS	TRIM	DESCRIPTION
1	68078792AA	1	J, T, U		74				PANEL, Body Side Aperture Outer, Rear Right
	68078793AA	1	J, T, U		74				Left
2	68070801AB	1	J, T, U		74				WHEELHOUSE, Rear Inner Left
	68070804AB	1	J, T, U		74				Right
3	68078798AA	1	J, T, U		74				PANEL, Body Side Aperture Inner, Rear Right
	68078799AA	1	J, T, U		74				Left
4	68036268AB	1	J, T, U		74				PANEL, Taillamp Mounting Right
	68036269AB	1	J, T, U		74				Left
5	68036274AD	1	J, T, U		74				TROUGH, Liftgate Opening Right
	68036275AD	1	J, T, U		74				Left
6	68031821AB	1	J, T, U		74				DOOR, Fuel Fill
7	68045460AA	1	J, T, U		74				HOUSING, Fuel Filler
8	05278632AG	1	J, T, U		74				CAP, Fuel Filler [ER0] Or [EZ0]
	52124595AA	1	J, T, U		74				[XKN]
	52129371AB	1	J, T, U		74				[EX0]
9	57010710AF	1	J, T, U		74				SILENCER, Wheelhouse Right
	57010711AF	1	J, T, U		74				Left

GRAND CHEROKEE (WK)

SERIES LINE
H = HIGHLINE T = JEEP - 2WD
P = PREMIUM J = JEEP - 4WD
S = SPORT U = JEEP - 4WD (RHD)

BODY
74 = SPORT UTILITY 4-DR TYPE #4

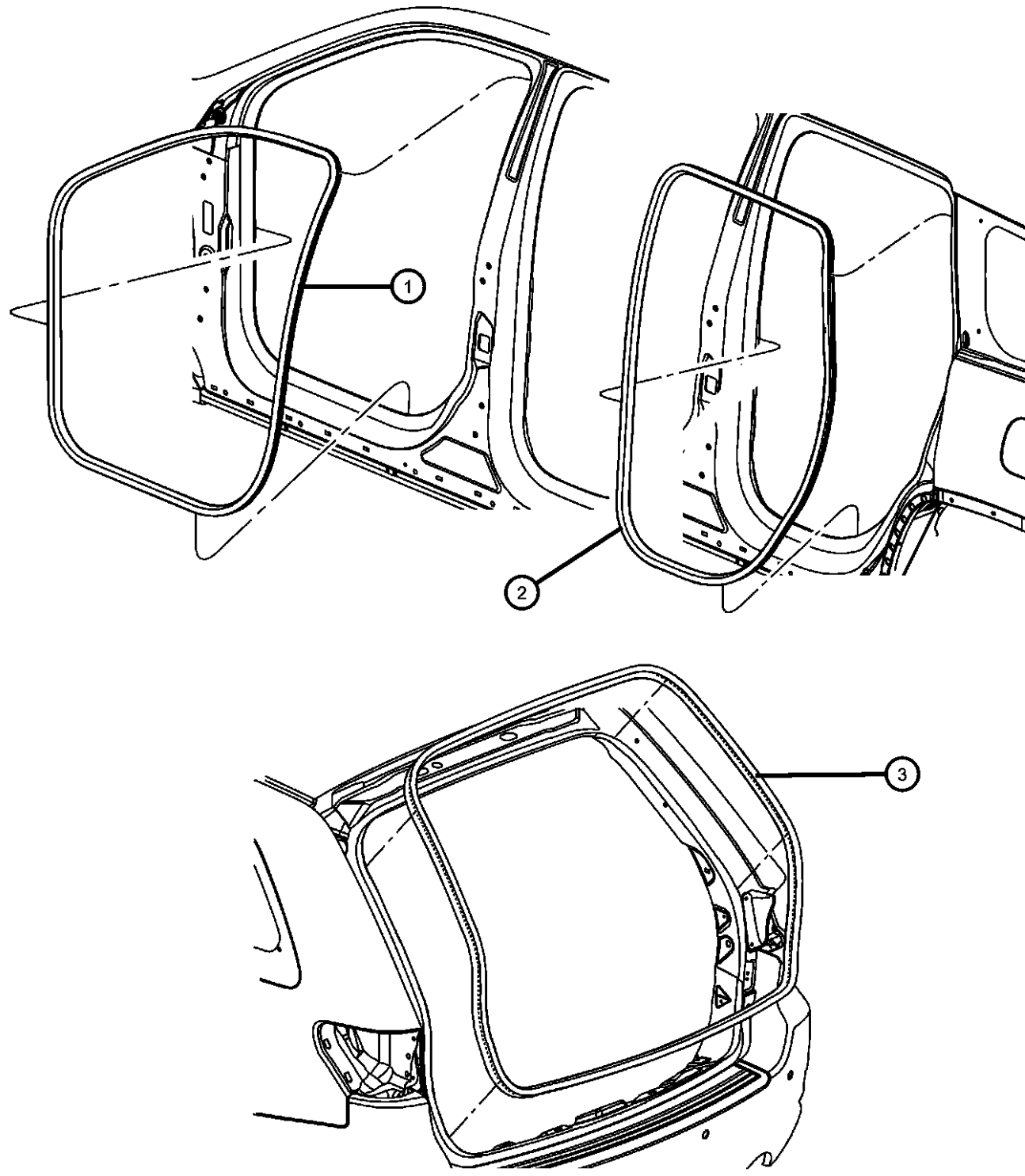
ENGINE
ERB = 3.0L Mid V6 Engine
EZH = 5.7L V8 HEMI MDS VVT Engine
EXF = 3.0L V6 Turbo Diesel Engine

TRANSMISSION
DGQ = 5-Spd Automatic 545RFE Transmission
DGJ = 5-Speed Auto W5A580 Transmission

AR = use ase required - = Non illustrated part

2011 WK

Body Weatherstrips and Seals
Figure 60-805



ITEM	PART NUMBER	QTY	LINE	SERIES	BODY	ENGINE	TRANS	TRIM	DESCRIPTION
1	55399256AB	1	J, T, U		74				WEATHERSTRIP, Front Door Secondary Right
		1	J, T, U		74				Left
2	55399255AB	1	J, T, U		74				WEATHERSTRIP, Rear Door Mounted Right
		1	J, T, U		74				Left
3	55399229AB	1	J, T, U		74				WEATHERSTRIP, Liftgate

GRAND CHEROKEE (WK)

SERIES LINE
H = HIGHLINE T = JEEP - 2WD
P = PREMIUM J = JEEP - 4WD
S = SPORT U = JEEP - 4WD (RHD)

BODY
74 = SPORT UTILITY 4-DR TYPE #4

ENGINE
ERB = 3.0L Mid V6 Engine
EZH = 5.7L V8 HEMI MDS VVT Engine
EXF = 3.0L V6 Turbo Diesel Engine

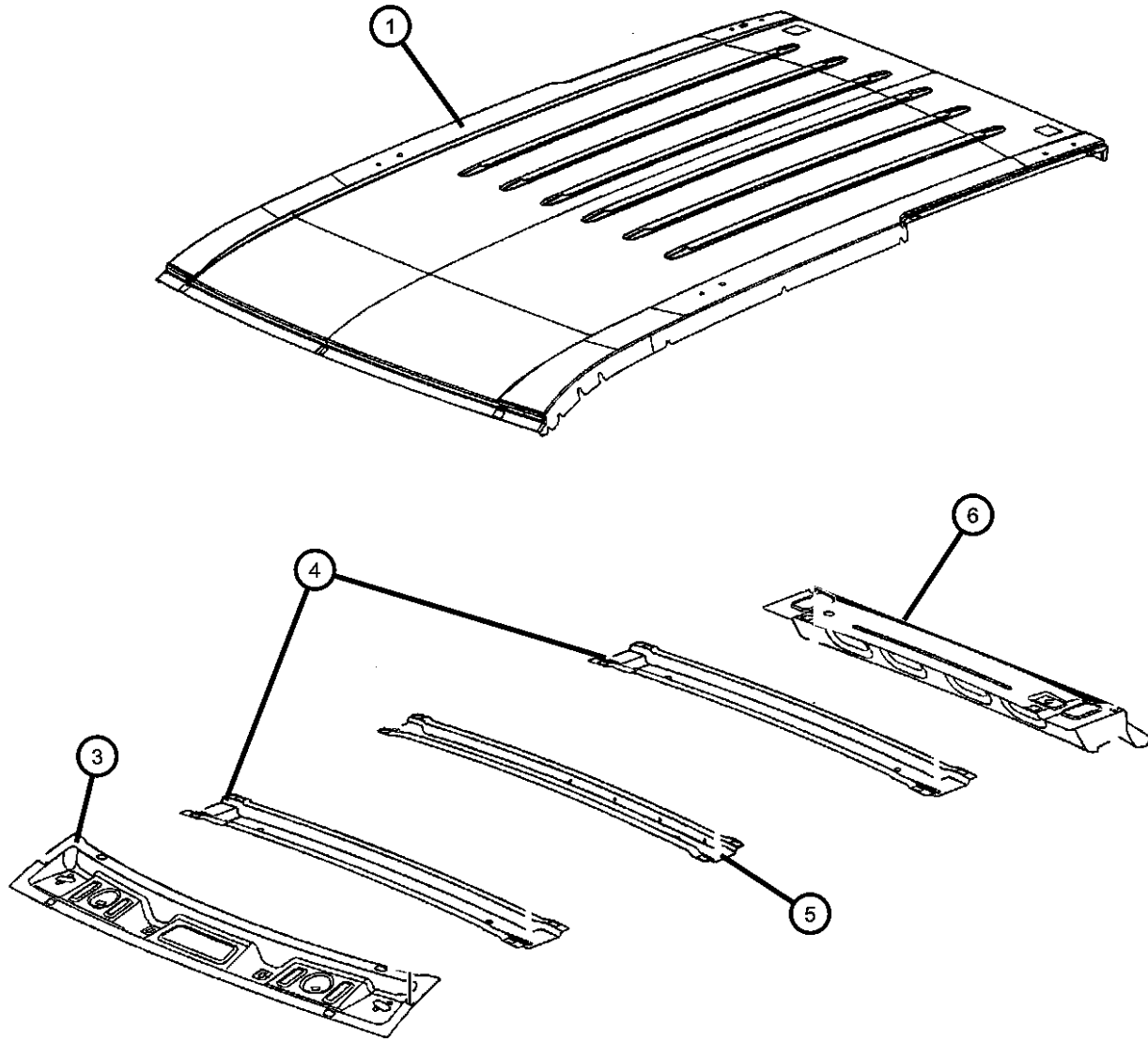
TRANSMISSION
DGQ = 5-Spd Automatic 545RFE Transmission
DGJ = 5-Speed Auto W5A580 Transmission

AR = use ase required - = Non illustrated part

2011 WK

Roof Panel
Figure 60-905

ITEM	PART NUMBER	QTY	LINE	SERIES	BODY	ENGINE	TRANS	TRIM	DESCRIPTION
1	68036322AA	1	J, T, U		74				PANEL, Roof, Without Sunroof Opening
-2									PANEL, Roof, With Sunroof Opening
	68036321AA	1	J, T, U		74				[GWJ]
	68049571AA	1	J, T, U		74				[GWA]
3	55369449AA	1	J, T, U		74				HEADER, Roof Front
4									BOW, Roof
	55369678AA	2	J, T, U		74				[GWA]
		1	J, T, U		74				[GWA]
5	68054696AC	1	J, T, U		74				BOW, Roof, Center
6	68036319AA	1	J, T, U		74				HEADER, Roof Upper Rear



GRAND CHEROKEE (WK)

SERIES LINE
H = HIGHLINE T = JEEP - 2WD
P = PREMIUM J = JEEP - 4WD
S = SPORT U = JEEP - 4WD (RHD)

BODY
74 = SPORT UTILITY 4-DR
TYPE #4

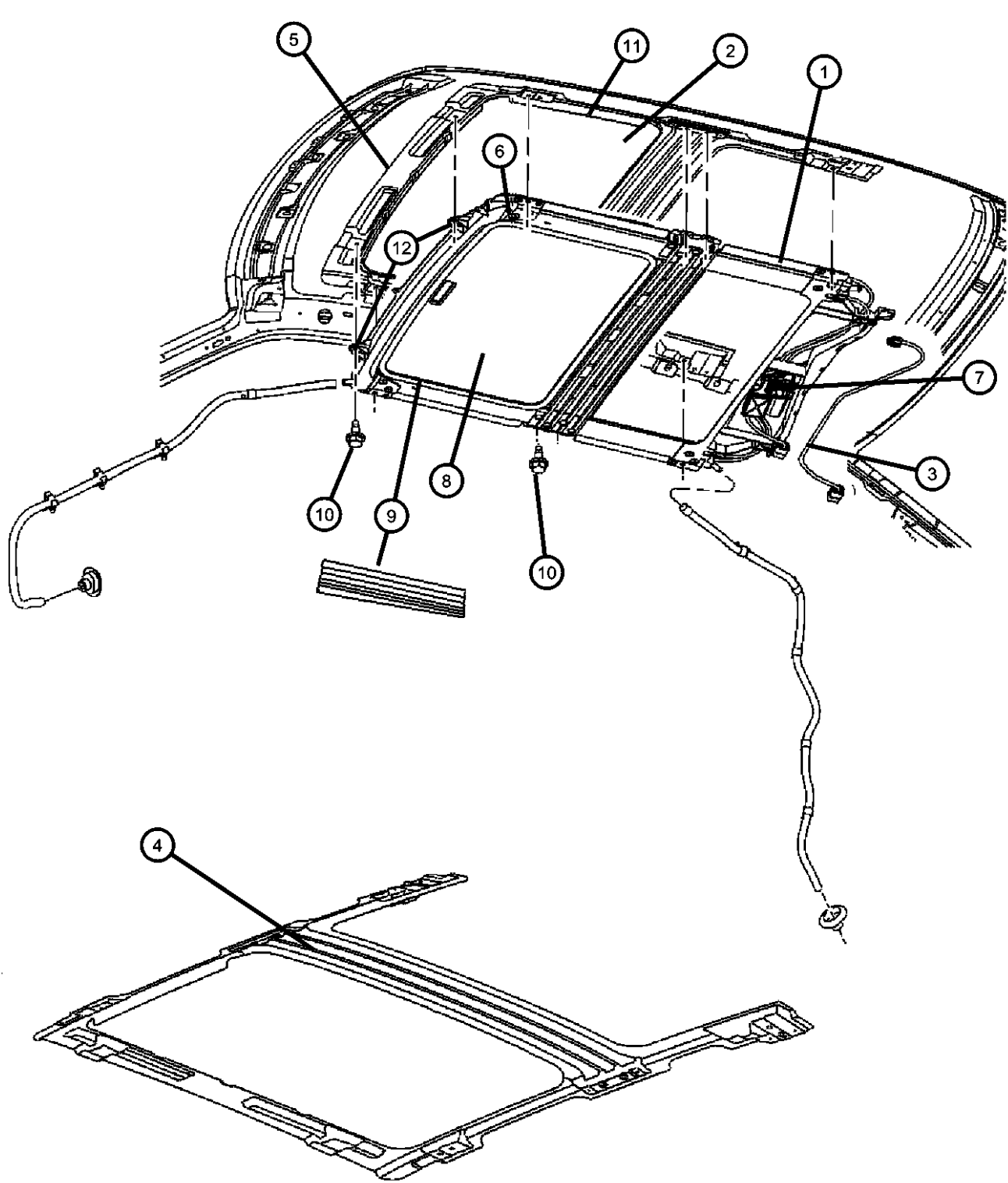
ENGINE
ERB = 3.0L Mid V6 Engine
EZH = 5.7L V8 HEMI MDS
VVT Engine
EXF = 3.0L V6 Turbo Diesel
Engine

TRANSMISSION
DGQ = 5-Spd Automatic 545RFE
Transmission
DGJ = 5-Speed Auto W5A580
Transmission

AR = use ase required - = Non illustrated part

2011 WK

Sunroof Glass and Component Parts
Figure 60-1005



ITEM	PART NUMBER	QTY	LINE	SERIES	BODY	ENGINE	TRANS	TRIM	DESCRIPTION
1	68082485AA	1	J, T, U		74				FRAME, Sunroof
2	68082476AA	1	J, T, U		74				GLASS, Sunroof
3	68082480AA	1	J, T, U		74				WIRING, Sunroof
4	68082482AA	1	J, T, U		74				CHANNEL, Sunroof Drain, Includes Weatherstrip
5	68082481AA	1	J, T, U		74				DEFLECTOR, Sunroof Wind
6	68082486AA	6	J, T, U		74				SCREW
7	68082477AA	1	J, T, U		74				MOTOR, Sunroof
8									SUNSHADE, Sunroof
	1TA47HL1AA	1	J, T, U		74				[XL]
	1TA47HDAAA	1	J, T, U		74				[X9]
		1	J, T, U		74				[XT]
		1	J, T, U		74				[L9]
9	68067345AA	2	J, T, U		74				COVER, Sunroof Mechanism
10	06506383AA	12	J, T, U		74				SCREW AND WASHER, Hex Head, M6x1x18
11	68082479AA	1	J, T, U		74				SEAL, Sunroof Glass
12	68082484AA	2	J, T, U		74				BRACKET, Sunroof Frame
-13	68082478AA	8	J, T, U		74				VELCRO STRIP
-14	68083210AA	2	J, T, U		74				SPACER, Connecting Arm

GRAND CHEROKEE (WK)

SERIES LINE
H = HIGHLINE T = JEEP - 2WD
P = PREMIUM J = JEEP - 4WD
S = SPORT U = JEEP - 4WD (RHD)

BODY
74 = SPORT UTILITY 4-DR
TYPE #4

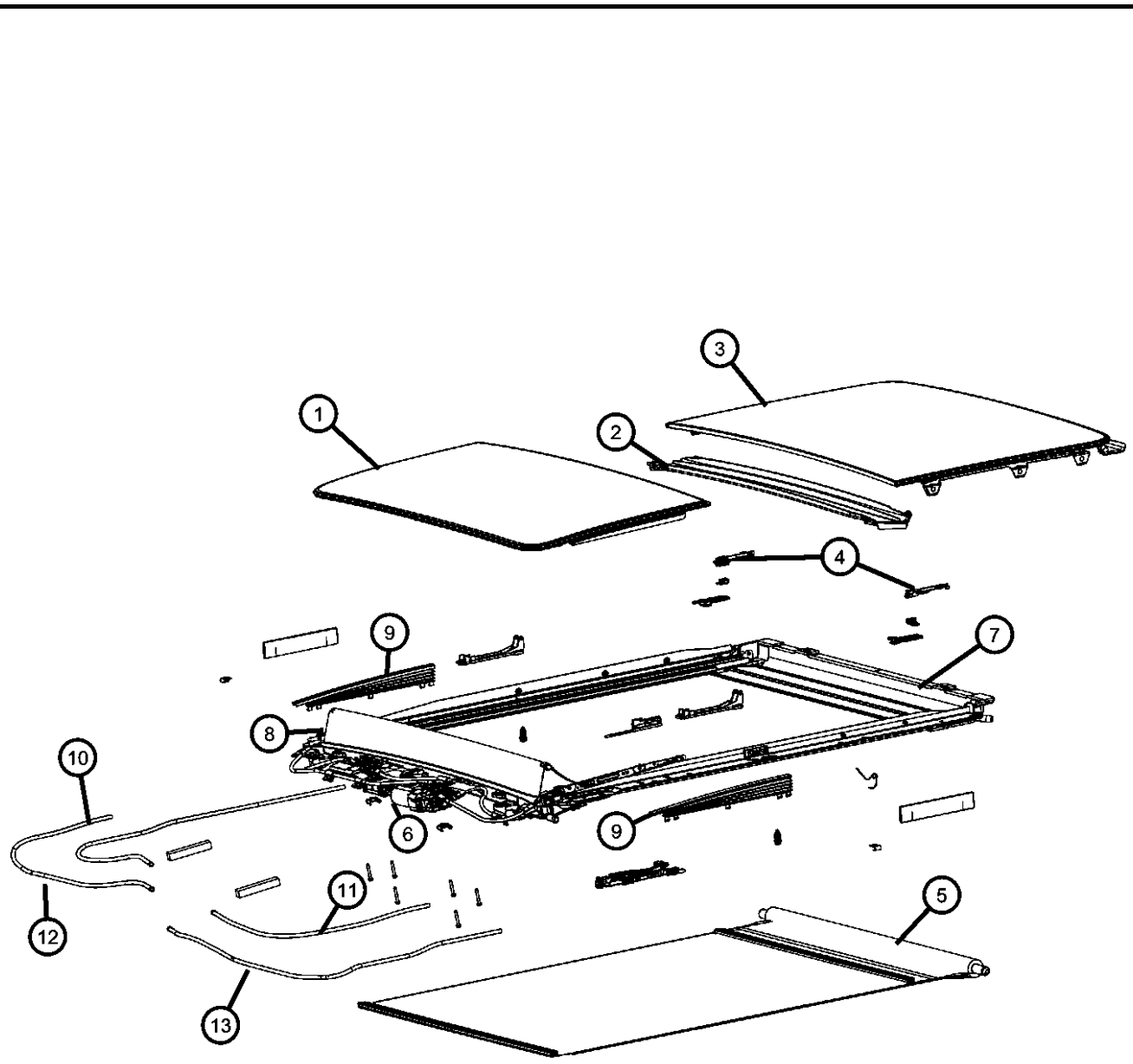
ENGINE
ERB = 3.0L Mid V6 Engine
EZH = 5.7L V8 HEMI MDS
VVT Engine
EXF = 3.0L V6 Turbo Diesel
Engine

TRANSMISSION
DGQ = 5-Spd Automatic 545RFE
Transmission
DGJ = 5-Speed Auto W5A580
Transmission

AR = use ase required - = Non illustrated part

2011 WK

Sunroof Glass And Component Parts
Figure 60-1010



ITEM	PART NUMBER	QTY	LINE	SERIES	BODY	ENGINE	TRANS	TRIM	DESCRIPTION
1	68081057AA	1	J, T, U		74				GLASS, Sunroof
2	68086550AA	1	J, T, U		74				CHANNEL, Sunroof Drain
3	68081060AA	1	J, T, U		74				GLASS, Sunroof
4									GUIDE, Sunroof Glass
	68081085AA	1	J, T, U		74				Left
	68081084AA	1	J, T, U		74				Right
5									SUNSHADE, Sunroof
	1SX57HDAAA	1	J, T, U		74				[XT]
	1SX57HL1AA	1	J, T, U		74				[L9]
		1	J, T, U		74				[XL]
		1	J, T, U		74				[D3]
		1	J, T, U		74				[X9]
6	68081054AA	2	J, T, U		74				MOTOR, Sunroof
7	68081053AA	1	J, T, U		74				FRAME, Sunroof
8	68086581AA	1	J, T, U		74				DEFLECTOR, Sunroof Wind
9	68081086AA	1	J, T, U		74				COVER, Sunroof Mechanism, Contains Right And Left
10	68081071AA	1	J, T, U		74				TUBE
11	68081074AA	1	J, T, U		74				TUBE
12	68081069AA	1	J, T, U		74				TUBE
13	68081070AA	1	J, T, U		74				TUBE

GRAND CHEROKEE (WK)

SERIES LINE
H = HIGHLINE T = JEEP - 2WD
P = PREMIUM J = JEEP - 4WD
S = SPORT U = JEEP - 4WD (RHD)

BODY
74 = SPORT UTILITY 4-DR
TYPE #4

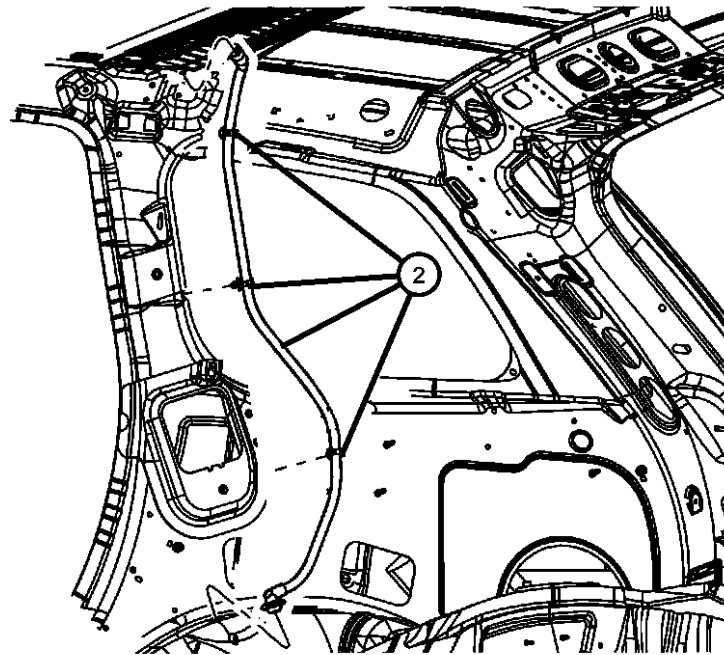
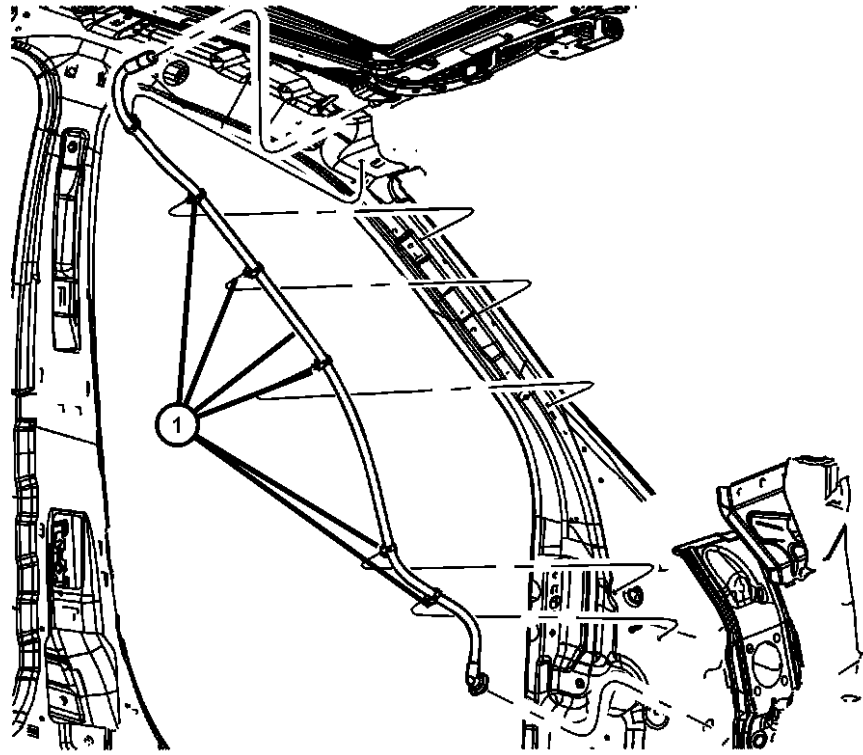
ENGINE
ERB = 3.0L Mid V6 Engine
EZH = 5.7L V8 HEMI MDS
VVT Engine
EXF = 3.0L V6 Turbo Diesel
Engine

TRANSMISSION
DGQ = 5-Spd Automatic 545RFE
Transmission
DGJ = 5-Speed Auto W5A580
Transmission

AR = use ase required - = Non illustrated part

2011 WK

Sunroof Drain Hoses
Figure 60-1050



ITEM	PART NUMBER	QTY	LINE	SERIES	BODY	ENGINE	TRANS	TRIM	DESCRIPTION
1	55399296AB	2	J, T, U		74				HOSE, Sunroof Drain, Clips Included With HoseFront
2									HOSE, Sunroof Drain, Rear, Clips Included With Hose
	68069322AA	1	J, T, U		74				[GWA], Right
	68069323AA	1	J, T, U		74				[GWA], Left
	68069324AA	1	J, T, U		74				[GWJ], Right
	68069325AA	1	J, T, U		74				[GWJ], Left

GRAND CHEROKEE (WK)

SERIES LINE
H = HIGHLINE T = JEEP - 2WD
P = PREMIUM J = JEEP - 4WD
S = SPORT U = JEEP - 4WD (RHD)

BODY
74 = SPORT UTILITY 4-DR
TYPE #4

ENGINE
ERB = 3.0L Mid V6 Engine
EZH = 5.7L V8 HEMI MDS
VVT Engine
EXF = 3.0L V6 Turbo Diesel
Engine

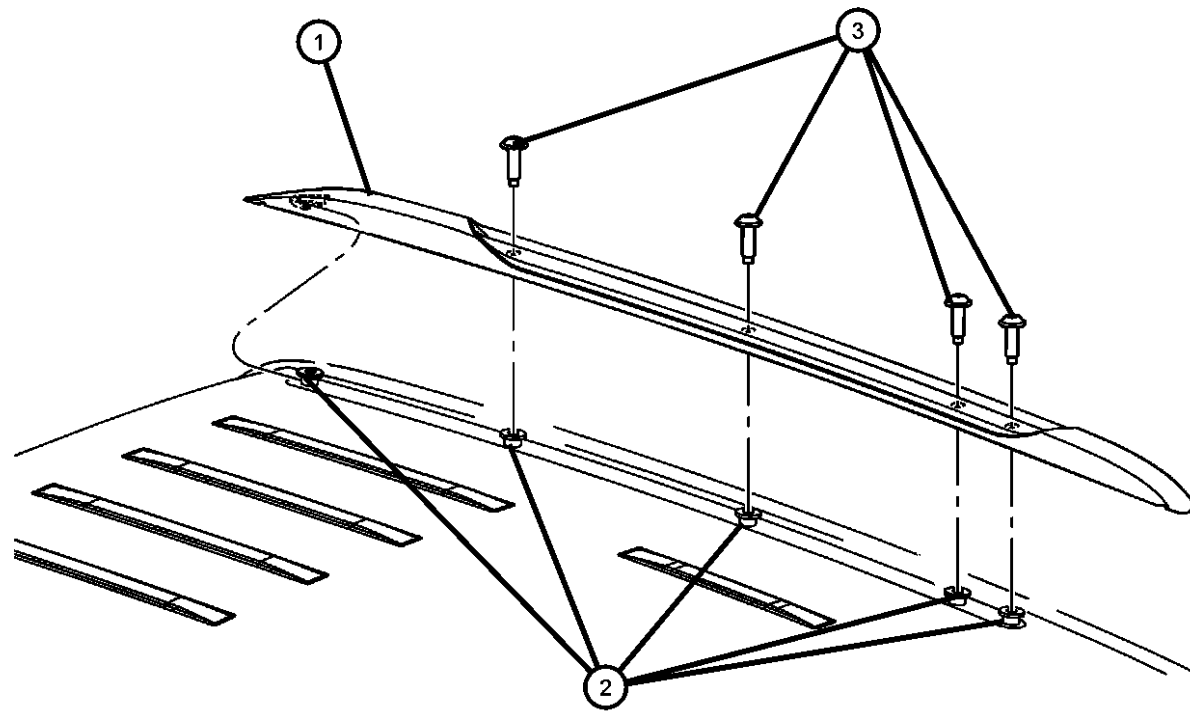
TRANSMISSION
DGQ = 5-Spd Automatic 545RFE
Transmission
DGJ = 5-Speed Auto W5A580
Transmission

AR = use ase required - = Non illustrated part

2011 WK

Roof Rack
Figure 60-1305

ITEM	PART NUMBER	QTY	LINE	SERIES	BODY	ENGINE	TRANS	TRIM	DESCRIPTION
1	55079172AG	1	J, T, U		74				RAIL, Roof [MW1], Right
	55079173AG	1	J, T, U		74				[MW1], Left
2	06509876AA	12	J, T, U		74				RIVNUT, Installation, [MW1]
3	06508611AA	8	J, T, U		74				SCREW, LARGE ROUND WASHER HEAD LOCK, M6X1.00X22.00, [MW1]



GRAND CHEROKEE (WK)

SERIES LINE
H = HIGHLINE T = JEEP - 2WD
P = PREMIUM J = JEEP - 4WD
S = SPORT U = JEEP - 4WD (RHD)

BODY
74 = SPORT UTILITY 4-DR
TYPE #4

ENGINE
ERB = 3.0L Mid V6 Engine
EZH = 5.7L V8 HEMI MDS
VVT Engine
EXF = 3.0L V6 Turbo Diesel
Engine

TRANSMISSION
DGQ = 5-Spd Automatic 545RFE
Transmission
DGJ = 5-Speed Auto W5A580
Transmission

AR = use ase required - = Non illustrated part

2011 WK