



**NUMBER:** 11-004-11

**GROUP:** Exhaust System

**DATE:** May 12, 2011

*This bulletin is supplied as technical information only and is not an authorization for repair. No part of this publication may be reproduced, stored in a retrieval system, or transmitted, in any form or by any means, electronic, mechanical, photocopying, or otherwise, without written permission of Chrysler Group LLC.*

**THIS SERVICE BULLETIN IS ALSO BEING RELEASED AS RAPID RESPONSE TRANSMITTAL (RRT) 11- 043. ALL APPLICABLE SOLD AND UN-SOLD RRT VIN's HAVE BEEN LOADED. TO VERIFY THAT THIS RRT SERVICE ACTION IS APPLICABLE TO THE VEHICLE, USE VIP OR PERFORM A VIN SEARCH IN TECHCONNECT. ALL REPAIRS ARE REIMBURSABLE WITHIN THE PROVISIONS OF WARRANTY.**

***SUBJECT:***

Install Fuel Tank Upper Shield

***OVERVIEW:***

This bulletin involves installing the upper fuel tank heat shield for extreme off road driving conditions.

***MODELS:***

2011	(WK)	Grand Cherokee (International Only)
2011	(WD)	Durango (International Only)

**NOTE: This bulletin applies to vehicles equipped with a 5.7L engine (Sales code EZH) and Australian Equipment Group (Sales code ABA) or South African Equipment Group (Sales code ABX) or Middle East Equipment Group (Sales code ABD) built between August 5, 2010 (MDH 0805XX) and February 02 2011 (MDH 0202XX)**

***SYMPTOM/CONDITION:***

The upper fuel tank heat shield missing for extreme off road driving conditions.

***DIAGNOSIS:***

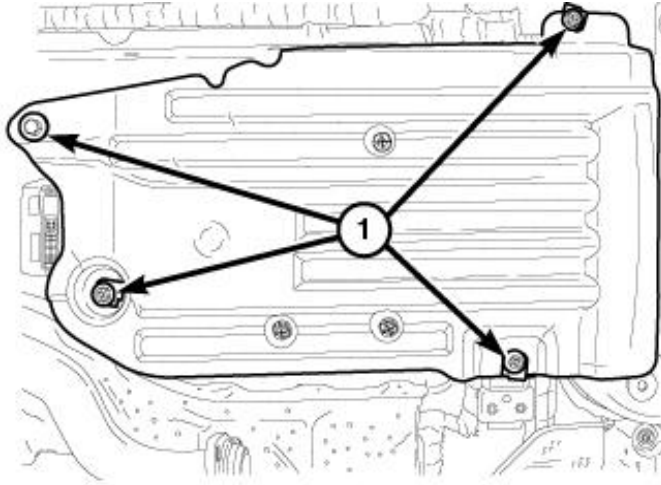
If a customer's VIN is listed in VIP or your RRT VIN list, perform the repair.

***PARTS REQUIRED:***

Qty.	Part No.	Description
(1)	68140486AA	Shield, fuel tank thermal upper
(5)	68140488AA	Retainer, plastic push pin

**REPAIR PROCEDURE:**

1. Raise vehicle on a hoist.
2. Remove the propeller shaft following the detailed service procedures available in DealerCONNECT/TechCONNECT, Refer To Group 03 - Differential and Driveline < Propeller Shaft < Shaft, Drive, Rear, Removal procedure.
3. If equipped, remove the left side body skid plate retainers and remove the skid plate (Fig. 1).

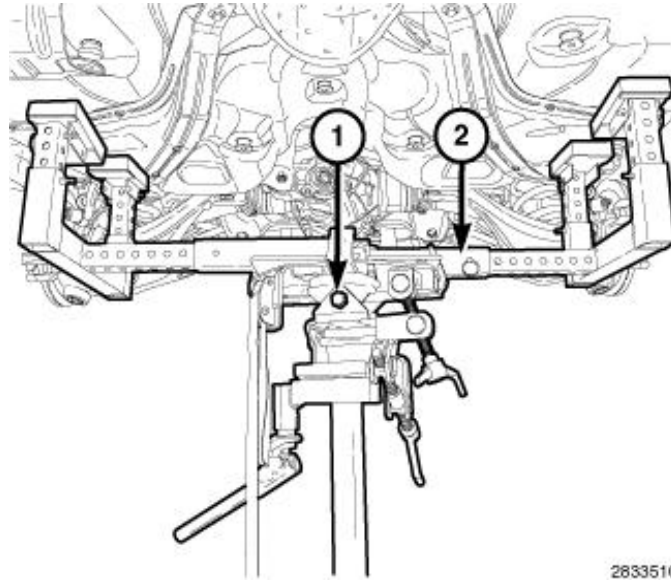


2833813

**Fig. 1 Skid Plate**1 - Skid Plate Fasteners

---

- Using a suitable hydraulic jack and a fuel tank adapter, support the fuel tank (Fig. 2).

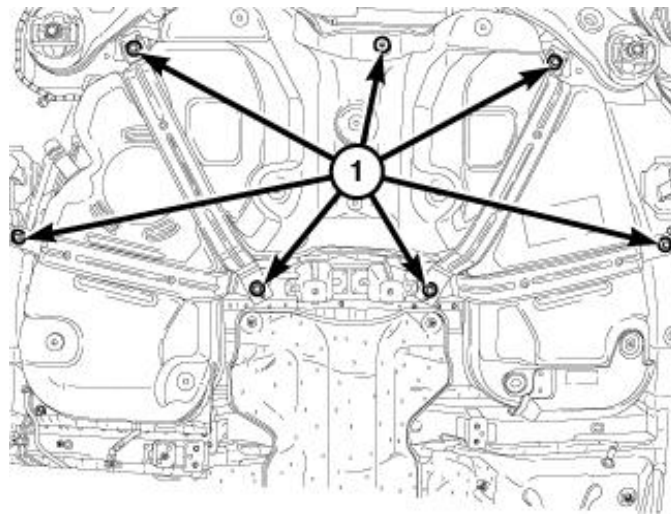


2833510

**Fig. 2 Fuel Tank Support**

- 1 - Hydraulic Jack
- 2 - Fuel Tank Adapter

- 
- Remove the fuel tank support strap retaining bolts (Fig. 3).



2834291

**Fig. 3 Fuel Tank Straps**

- 1 - Fuel Tank Fasteners
-

6. Using the hydraulic jack, lower the fuel tank, support straps and if equipped, skid plate far enough to install the upper heat shield.
7. Clean out the five pushpin holes in the top of the fuel tank.
8. Install the upper fuel tank heat shield with the five push lock retainers.
9. Using the hydraulic jack, raise the fuel tank, support straps and if equipped, skid plate far enough to reinstall the fuel tank fasteners (Fig. 3).
10. If equipped, reinstall the left side body skid plate (Fig. 1).
11. Install the propeller shaft following the detailed service procedures available in DealerCONNECT/TechCONNECT, Refer To Group 03 - Differential and Driveline < Propeller Shaft < Shaft, Drive, Rear, Removal procedure.
12. Install the exhaust/muffler system following the detailed service procedures available in DealerCONNECT/TechCONNECT, Refer To Group 11 - Exhaust System > Muffler, Exhaust > 3.6L/5.7L Engine, Removal procedures.

**POLICY:**

Reimbursable within the provisions of the warranty.

**TIME ALLOWANCE:**

Labor Operation No:	Description	Amount
14-60-01-92	Thermal Shield, Fuel Tank Upper (B)	1.6 Hrs.

**FAILURE CODE:**

ZZ	Service Action
----	----------------